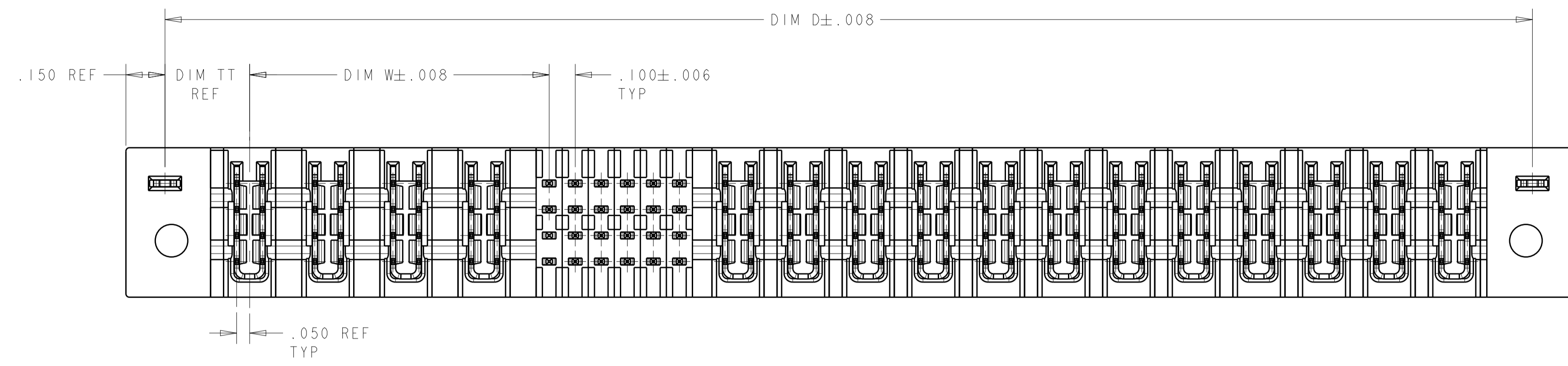
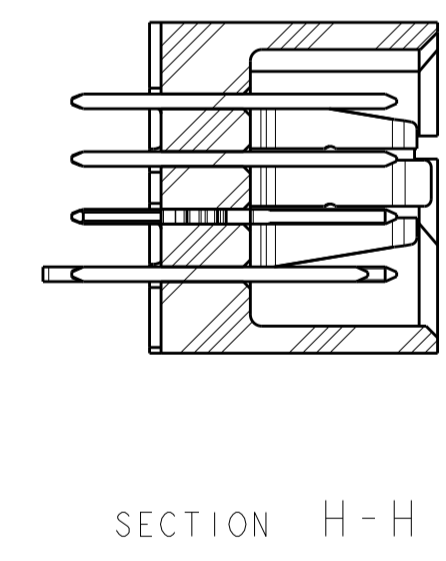
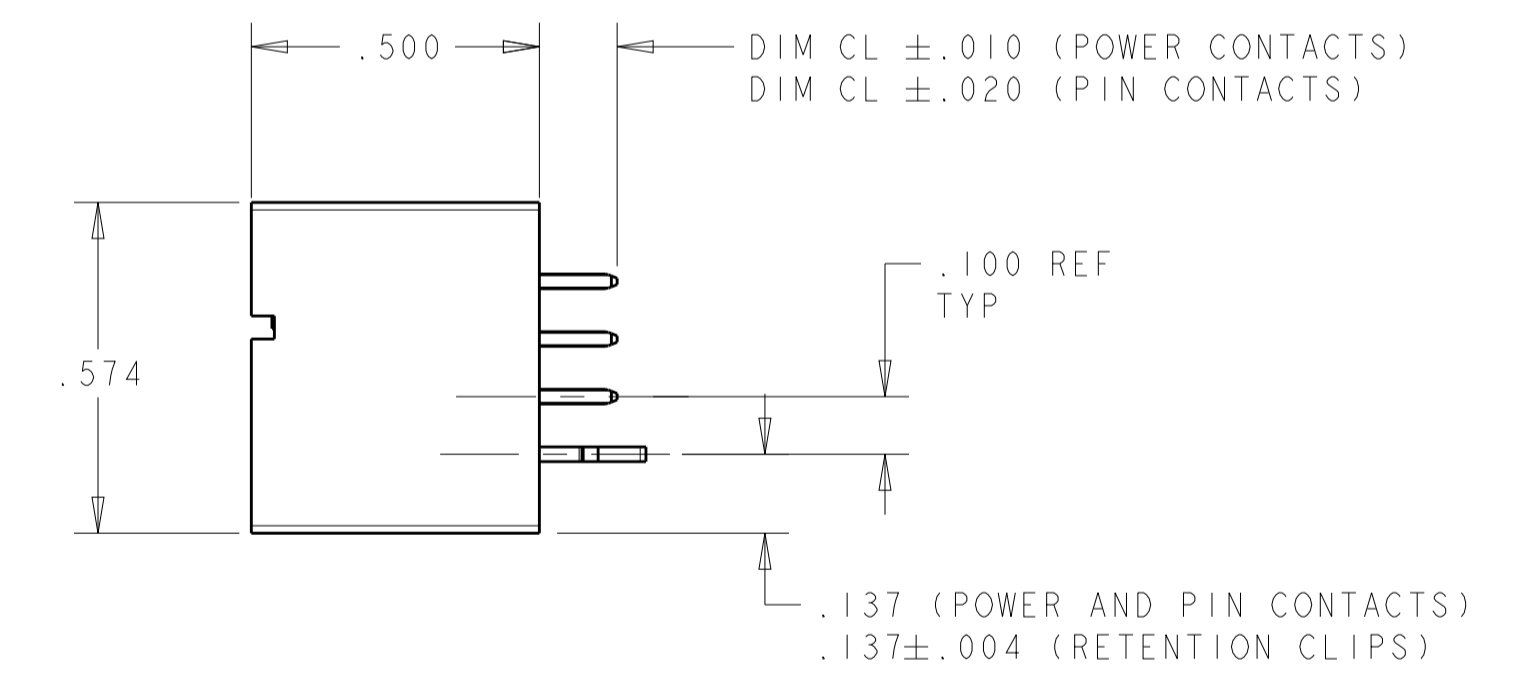
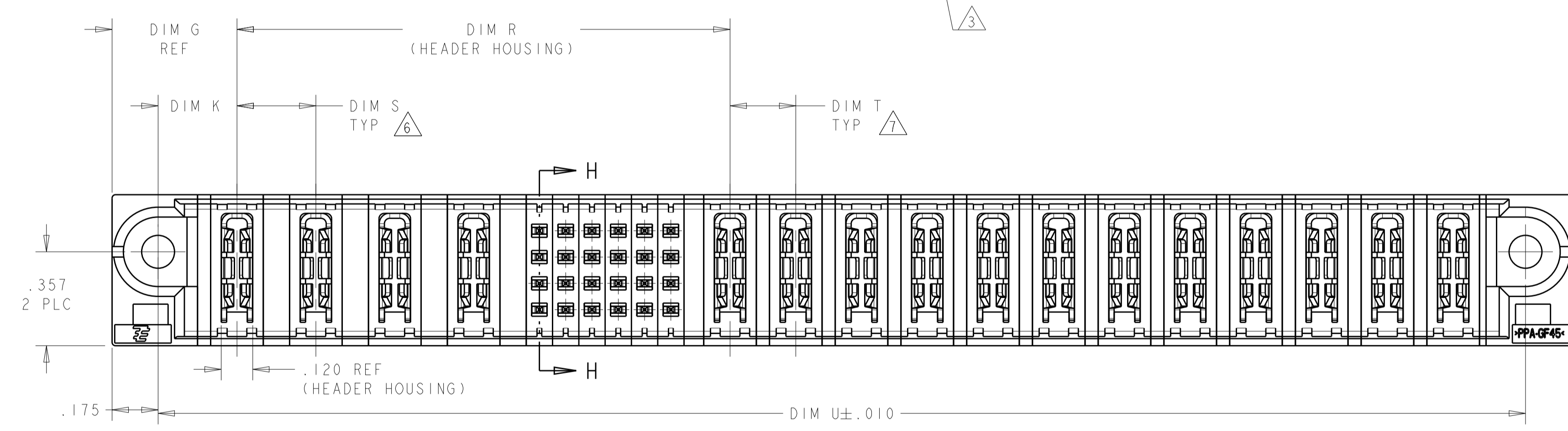
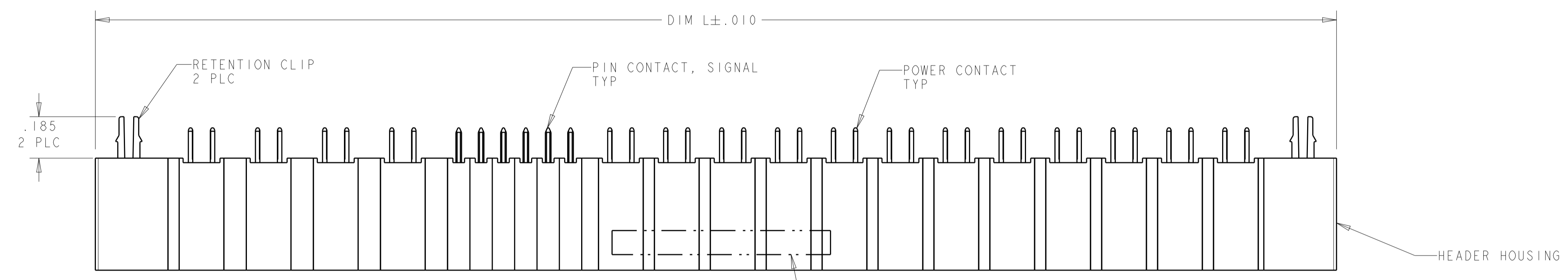


LOC	DIST	REVISIONS					
		P	LTN	DESCRIPTION	DATE	DWN	APVD
ES	00						
	J3			ADDED NEW DASH -23.	06DEC2010	IL	SZ
	J4			ADDED NEW DASH NUMBER 2--4	12AUG2012	CZ	SZ
	J6			REV PER ECR-13-014088	06SEP2013	CZ	SZ
	J7			ADD NEW DASH NUMBER 2-5	10FEB2015	CZ	SZ



- △ 1 HEADER HOUSING: THERMO PLASTIC, BLACK, UL94 V-O; CONTACTS AND RETENTION CLIPS: COPPER ALLOY.
- △ 2 CONTACT PLATING: NOBLE METAL PLATING ON CONTACT FUNCTIONAL AREA OF POWER AND SIGNAL CONTACTS
- △ 3 "AMP", PART NUMBER AND DATE CODE MARKED IN THIS AREA. PARTS UNDER 2.50 LONG MAY BE MARKED ON BOTH SIDES.
- △ 4 DATUM AND BASIC DIMENSIONS ESTABLISHED BY CUSTOMER.
- △ 5 PCB - ALL HOLE DIAMETERS ARE FINISHED HOLE SIZES.
- △ 6 APPLIES TO POWER MODULES ON LEFT SIDE OF SIGNAL CAVITIES OF HOUSING.
- △ 7 APPLIES TO POWER MODULES ON RIGHT SIDE OF SIGNAL CAVITIES OF HOUSING.
- △ 8 MECHANICAL CONNECTOR KEEP OUT ZONE.


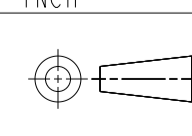


THIS DRAWING IS A CONTROLLED DOCUMENT.		DWN: J. McCLINTON 22MAR2005	TE Connectivity
DIMENSIONS: INCH		CHK: D. TROUT 22MAR2005	
TOLERANCES UNLESS OTHERWISE SPECIFIED:		APVD: B. WHYNE 22MAR2005	NAME: VERTICAL HEADER ASSEMBLY W/ GUIDES AND SOLDER TAILS MULTI-BEAM XL
0 PLC ±	1 PLC ±	PRODUCT SPEC	SIZE: A100779
2 PLC ±	3 PLC ±	APPLICATION SPEC	CAGE CODE: 6600330
4 PLC ±.005	ANGLES ±.0020	WEIGHT	SCALE: 4:1
FINISH		CUSTOMER DRAWING	SHEET 1 OF 10
△ 1	△ 2		REV J7

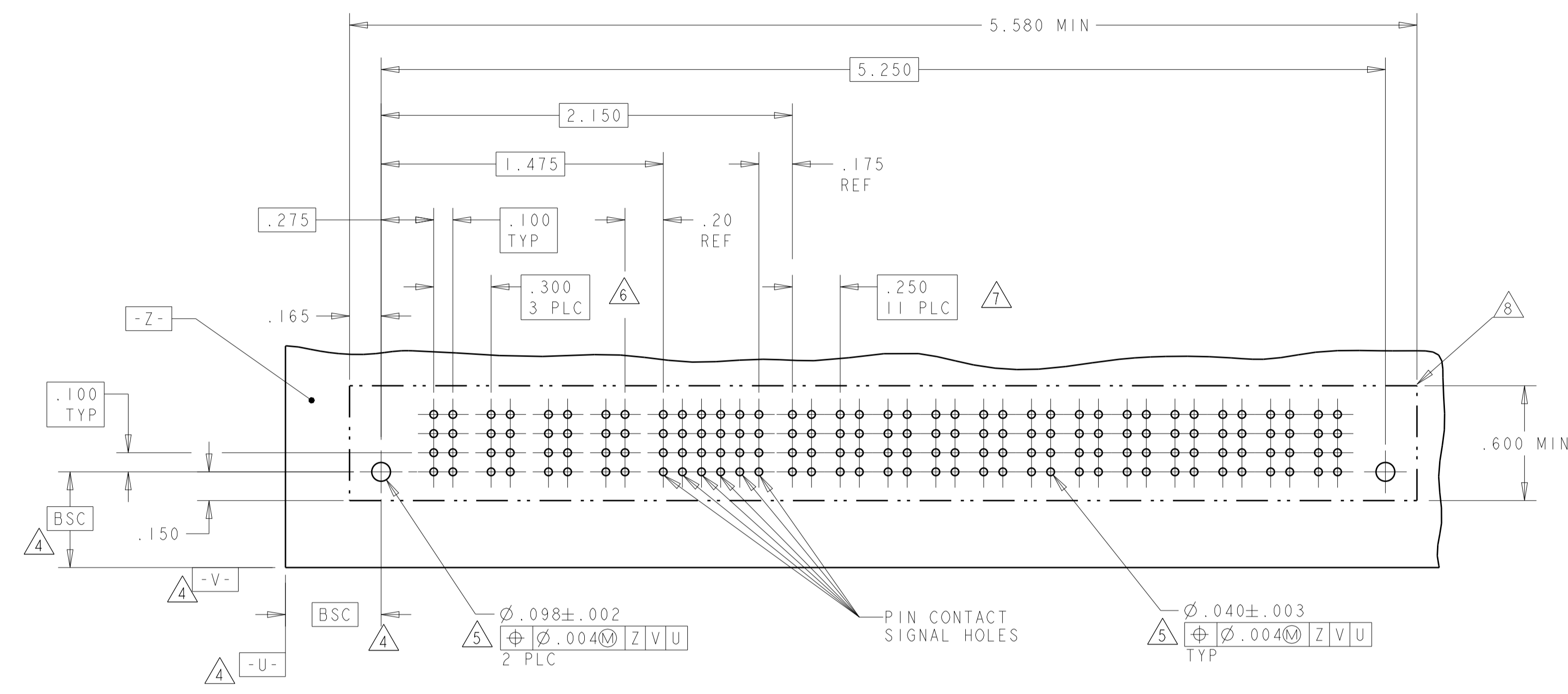
THIS DRAWING IS UNPUBLISHED. RELEASED FOR PUBLICATION 20  
 © COPYRIGHT 20 TE CONNECTIVITY ALL RIGHTS RESERVED.

LOC	DIST	REVISIONS					
		P	LTN	DESCRIPTION	DATE	DWN	APVD
ES	00	-		SEE SHEET 1	-	-	-

DIM "CL"	DIM "TT"	DIM "W"	DIM "U"	DIM "T"	DIM "S"	DIM "R"	DIM "L"	DIM "K"	DIM "G"	DIM "D"	RETENTION CLIP	DESCRIPTION	PART NUMBER
.135	.300	.175	1.600	-	-	1.050	1.950	.275	.450	1.650	YES	1P + 32S + 1P	2-6600330-5
.135	.300	.175	1.300	-	-	.750	1.650	.275	.450	1.350	YES	1P + 20S + 1P	2-6600330-4
.135	.175	-	.400	-	-	-	.750	.200	.375	.450	YES	4S	2-6600330-3
.135	.300	.425	1.600	.250	.250	.800	1.950	.275	.450	1.650	YES	2P + 12S + 2P	2-6600330-1
.135	.300	.925	3.200	.250	.250	1.900	3.550	.275	.450	3.250	YES	4P + 36S + 4P	2-6600330-0
.135	.300	.975	3.000	.250	.250	1.700	3.350	.275	.450	3.050	YES	4P + 24S + 4P	1-6600330-9
.135	.300	.375	2.400	.200	.200	1.650	2.750	.275	.450	2.450	YES	2HDP + 48S + 2HDP	1-6600330-3
.135	.300	.675	2.400	.250	.250	1.350	2.750	.275	.450	2.450	YES	3P + 24S + 3P	1-6600330-2
.135	.325	1.700	4.500	.300	.300	2.400	4.850	.300	.475	4.550	YES	6ACP + 24S + 6ACP	1-6600330-1
.135	.300	2.175	5.400	.250	.250	2.850	5.750	.275	.450	5.450	YES	9P + 24S + 9P	1-6600330-0
.135	.300	.925	2.900	.250	.250	1.600	3.250	.275	.450	2.950	NO	4P + 24S + 4P	6600330-9
.135	.300	.975	3.250	.250	.250	1.700	3.600	.275	.450	3.300	YES	4P + 24S + 5P	6600330-8
.165	.300	.425	1.900	.250	.250	1.100	2.250	.275	.450	1.950	YES	2P + 24S + 2P	6600330-6
.135	.300	1.375	4.000	.200	.200	2.250	4.350	.275	.450	4.050	YES	7P + 32S + 7P	6600330-5
.135	.325	.225	1.575	-	-	.950	1.925	.300	.475	1.625	YES	1P + 24S + 1P	6600330-4
.135	.300	1.975	4.200	.300	.250	2.725	4.550	.275	.450	4.250	YES	8P + 24S + 4ACP	6600330-3
.135	.325	.250	2.500	-	-	1.900	2.850	.300	.475	2.550	YES	1P + 60S + 1P	6600330-2
.135	.325	1.150	5.200	.250	.300	1.875	5.550	.300	.475	5.250	YES	4ACP + 24S + 12P	6600330-1

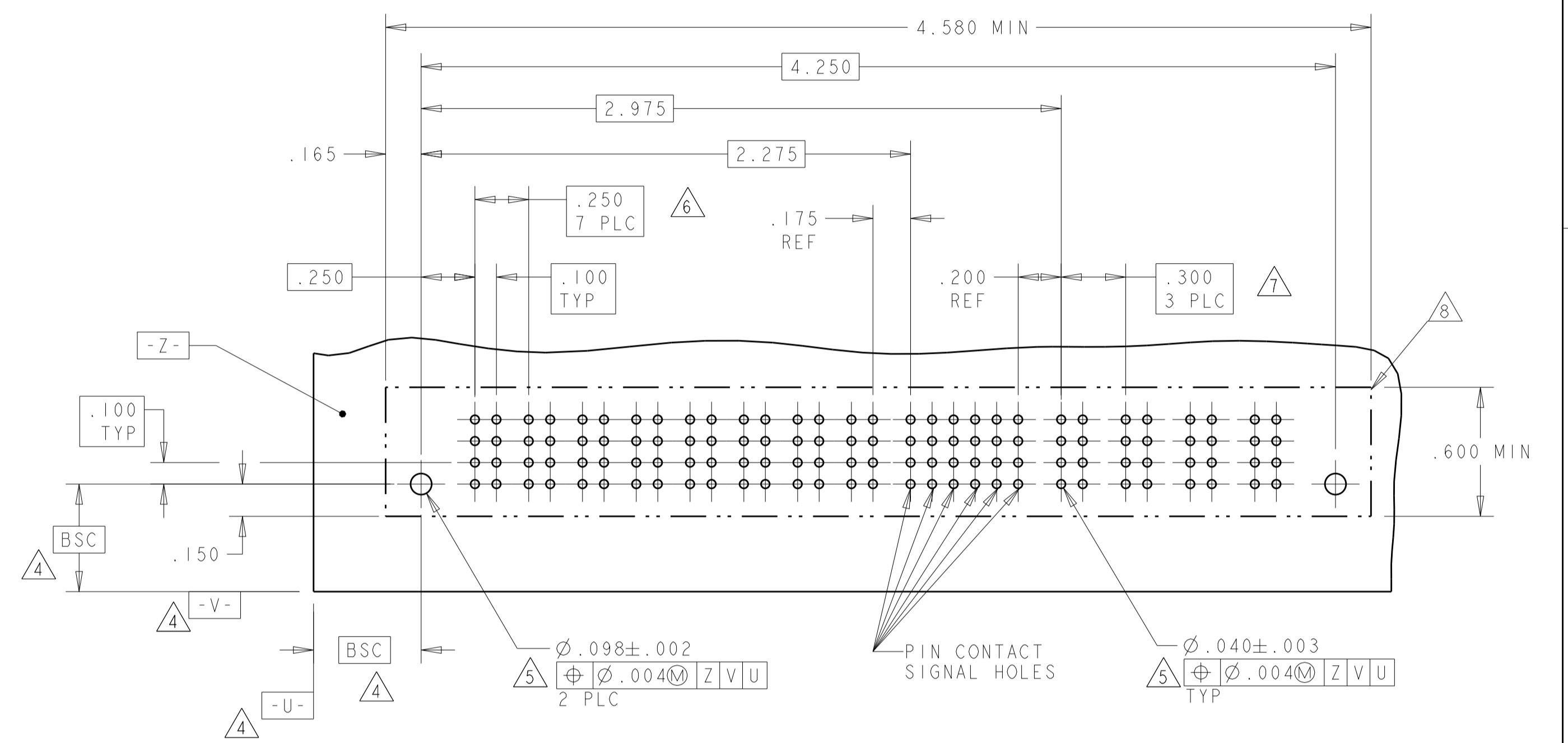
THIS DRAWING IS A CONTROLLED DOCUMENT.		DWN J. McCLINTON 22MAR2005	 TE Connectivity
DIMENSIONS: INCH		CHK D. TROUT 22MAR2005	
		APVD B. WHYNE 22MAR2005	NAME VERTICAL HEADER ASSEMBLY W/ GUIDES AND SOLDER TAILS MULTI-BEAM XL
TOLERANCES UNLESS OTHERWISE SPECIFIED: 0 PLC ±. 1 PLC ±. 2 PLC ±. 3 PLC ±. 4 PLC ±.005 ANGLES ±.002		PRODUCT SPEC 108-1973 APPLICATION SPEC 114-13038	SIZE A100779
MATERIAL		WEIGHT	RESTRICTED TO
FINISH		CUSTOMER DRAWING	SCALE 4:1 SHEET 2 OF 10 REV J7

PART NUMBER	ROWS	POWER				SIGNAL						POWER																	
		P1	P2	P3	P4	1	2	3	4	5	6	P5	P6	P7	P8	P9	P10	P11	P12	P13	P14	P15	P16						
6600330-1	D	SZ	SZ	SZ	SZ	SV	SV	SV	SV	SV	SV	SV	SV	SV	SV	SV	SV	SV	SV	SV	SV	SV	SV	SV					
	C					SV	SV	SV	SV	SV	SV	SV	SV	SV	SV	SV	SV	SV	SV	SV	SV	SV	SV	SV					
	B					SV	SV	SV	SV	SV	SV	SV	SV	SV	SV	SV	SV	SV	SV	SV	SV	SV	SV	SV					
	A					SV	SV	SV	SV	SV	SV	SV	SV	SV	SV	SV	SV	SV	SV	SV	SV	SV	SV	SV					
4P+24S+12P		HD																										HD	



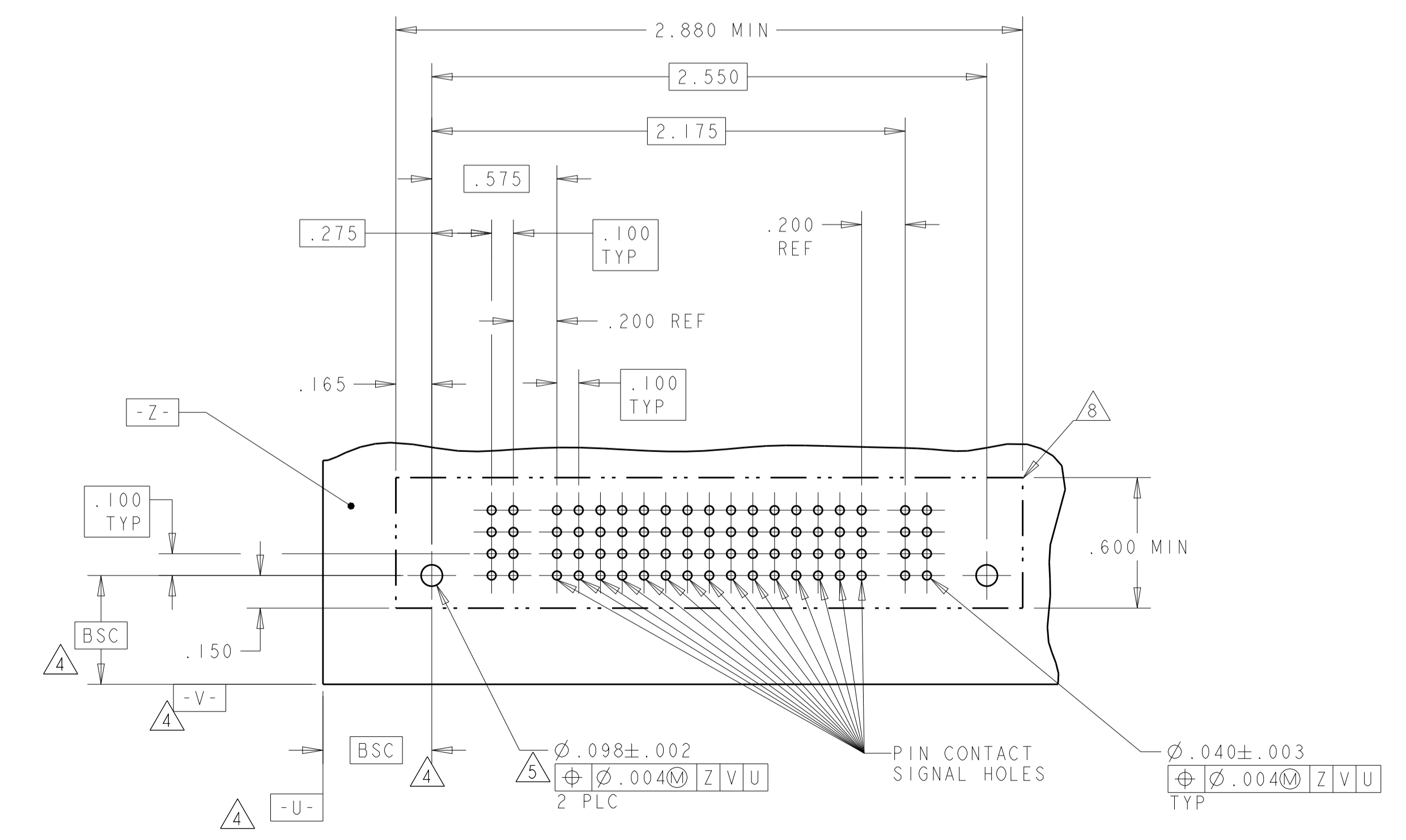
RECOMMENDED PCB LAYOUT 6600330-1  
SCALE 2:1

PART NUMBER	ROWS	POWER				SIGNAL						POWER									
		P1	P2	P3	P4	P5	P6	P7	P8	1	2	3	4	5	6	P9	P10	P11	P12		
6600330-3	D	SZ	SZ	SZ	SZ	SZ	SZ	SZ	SZ	SV	SV	SV	SV	SV	SV	SV	SV	SV	SV		
	C									SV	SV	SV	SV	SV	SV	SV	SV	SV	SV	SV	
	B									SV	SV	SV	SV	SV	SV	SV	SV	SV	SV	SV	
	A									SV	SV	SV	SV	SV	SV	SV	SV	SV	SV	SV	
8P+24S+4ACP		HD																		HD	



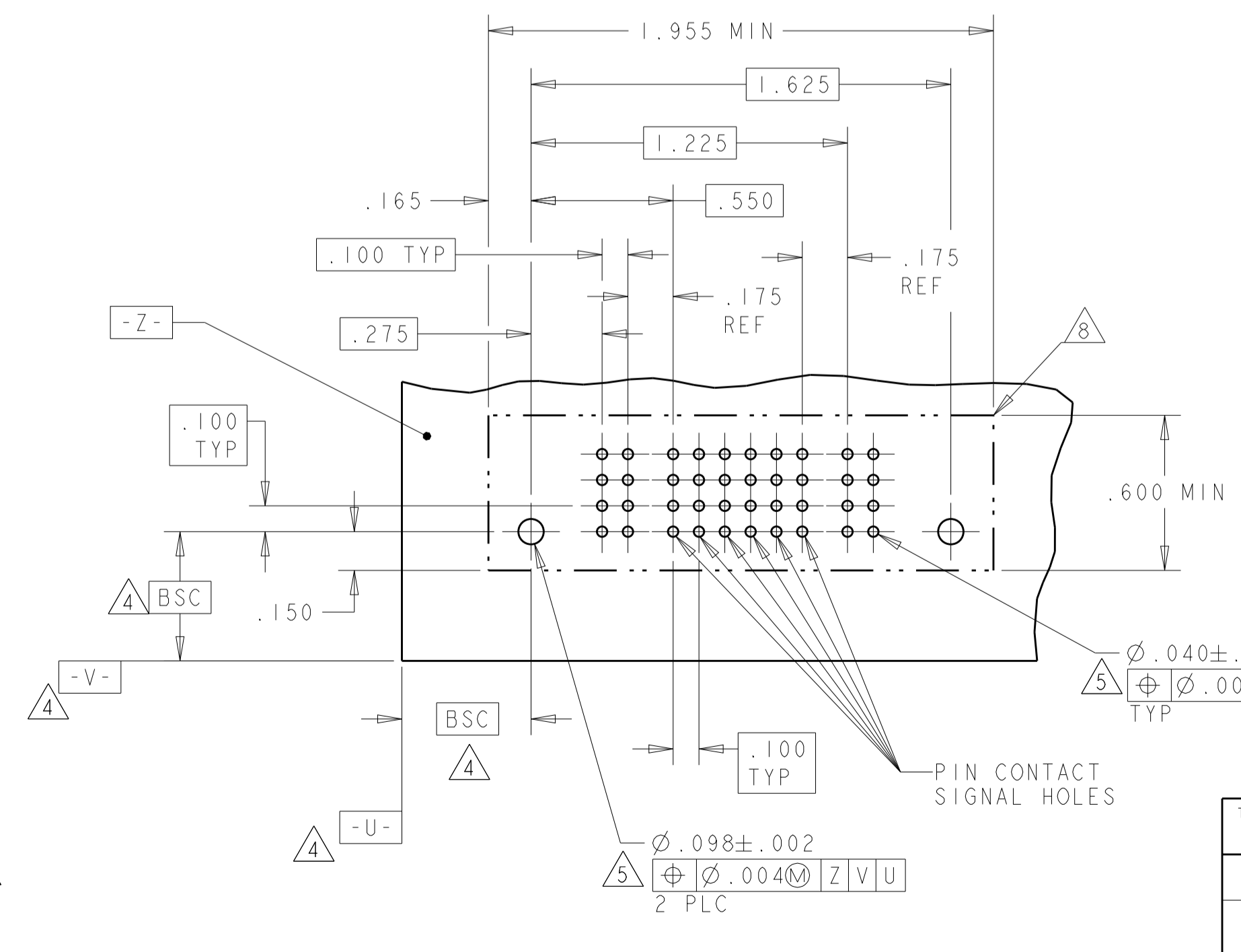
RECOMMENDED PCB LAYOUT 6600330-3  
SCALE 2:1

PART NUMBER	ROWS	SIGNAL															POWER			
		P1	1	2	3	4	5	6	7	8	9	10	11	12	13	14		15	P2	
6600330-2	D	SZ	SV	SV	SV	SV	SV	SV	SV	SV	SV	SV	SV	SV	SV	SV	SV	SV	SV	
	C		SV	SV	SV	SV	SV	SV	SV	SV	SV	SV	SV	SV	SV	SV	SV	SV		
	B		SV	SV	SV	SV	SV	SV	SV	SV	SV	SV	SV	SV	SV	SV	SV	SV		
	A		SV	SV	SV	SV	SV	SV	SV	SV	SV	SV	SV	SV	SV	SV	SV	SV		
1P+60S+1P		HD																	HD	



RECOMMENDED PCB LAYOUT 6600330-2  
SCALE 2:1

PART NUMBER	ROWS	SIGNAL						POWER			
		P1	1	2	3	4	5		6	P2	
6600330-4	D	SZ	SV	SV	SV	SV	SV	SV	SZ		
	C		SV	SV	SV	SV	SV	SV			
	B		SV	SV	SV	SV	SV	SV			
	A		SV	SV	SV	SV	SV	SV			
1P+24S+1P		HD								HD	



RECOMMENDED PCB LAYOUT 6600330-4  
SCALE 2:1

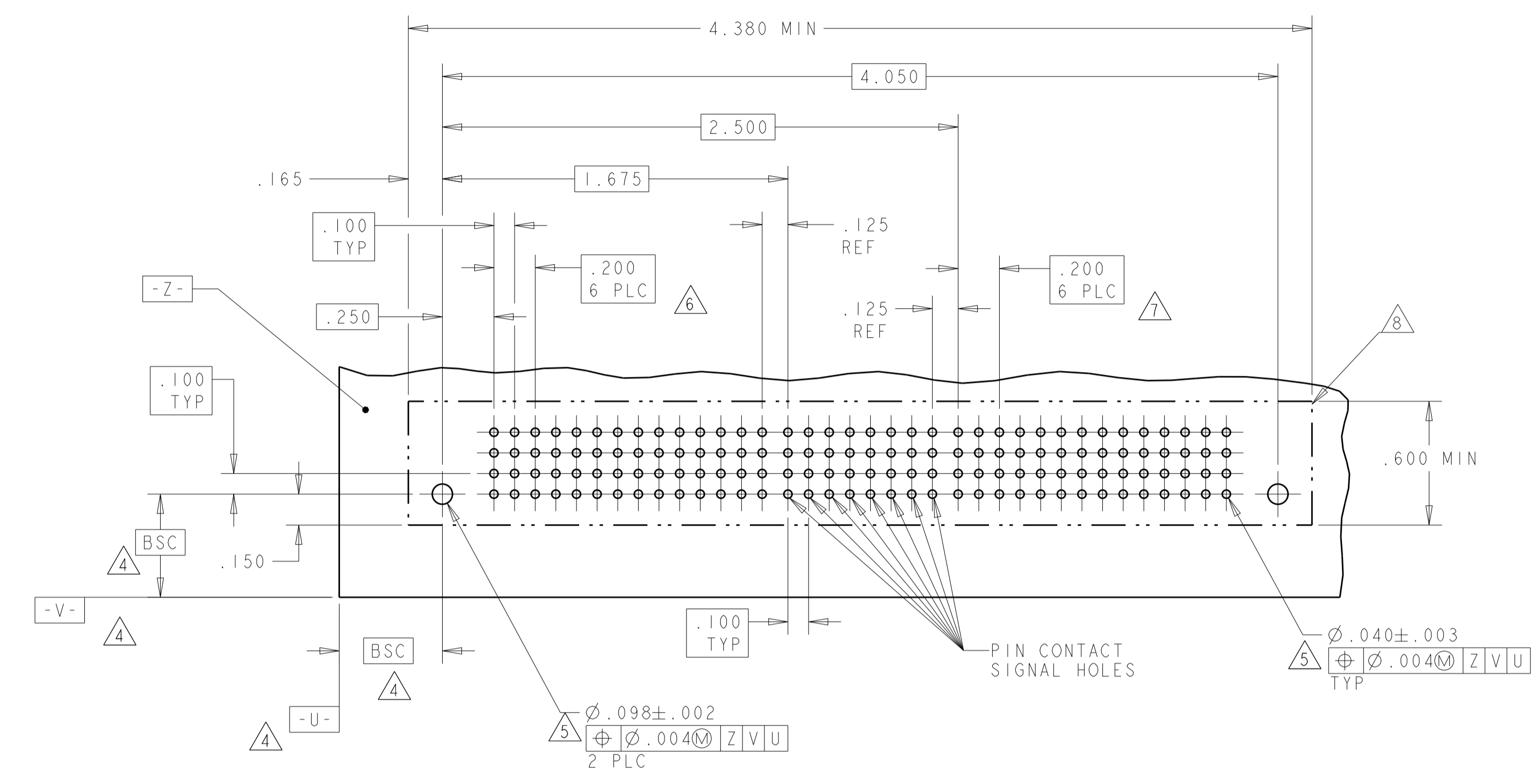
-	RETENTION CLIP	HD
STANDARD	SIGNAL CONTACT	SV or MV
MLBF	SIGNAL CONTACT	SS or MS
-	POWER CONTACT	SZ or MP
MATING SEQUENCE	DESCRIPTION	IDENTIFIER

THIS DRAWING IS A CONTROLLED DOCUMENT.	OWN: J. McCLINTON 22MAR2005	NAME: VERTICAL HEADER ASSEMBLY W/ GUIDES AND SOLDER TAILS MULTI-BEAM XL
DIMENSIONS: INCH	CHK: D. TROUT 22MAR2005	SIZE: CAGE CODE DRAWING NO
TOLERANCES UNLESS OTHERWISE SPECIFIED:	APPV: R. MLYNE 22MAR2005	RESTRICTED TO
0 PLC ±	PRODUCT SPEC	A100779C=6600330
1 PLC ±	108-1973	SCALE 4:1
2 PLC ±	APPLICATION SPEC	SHEET 3 OF 10
3 PLC ±.005	114-13038	REV J7
4 PLC ±.0020	WEIGHT	
ANGLES ±.0020	CUSTOMER DRAWING	

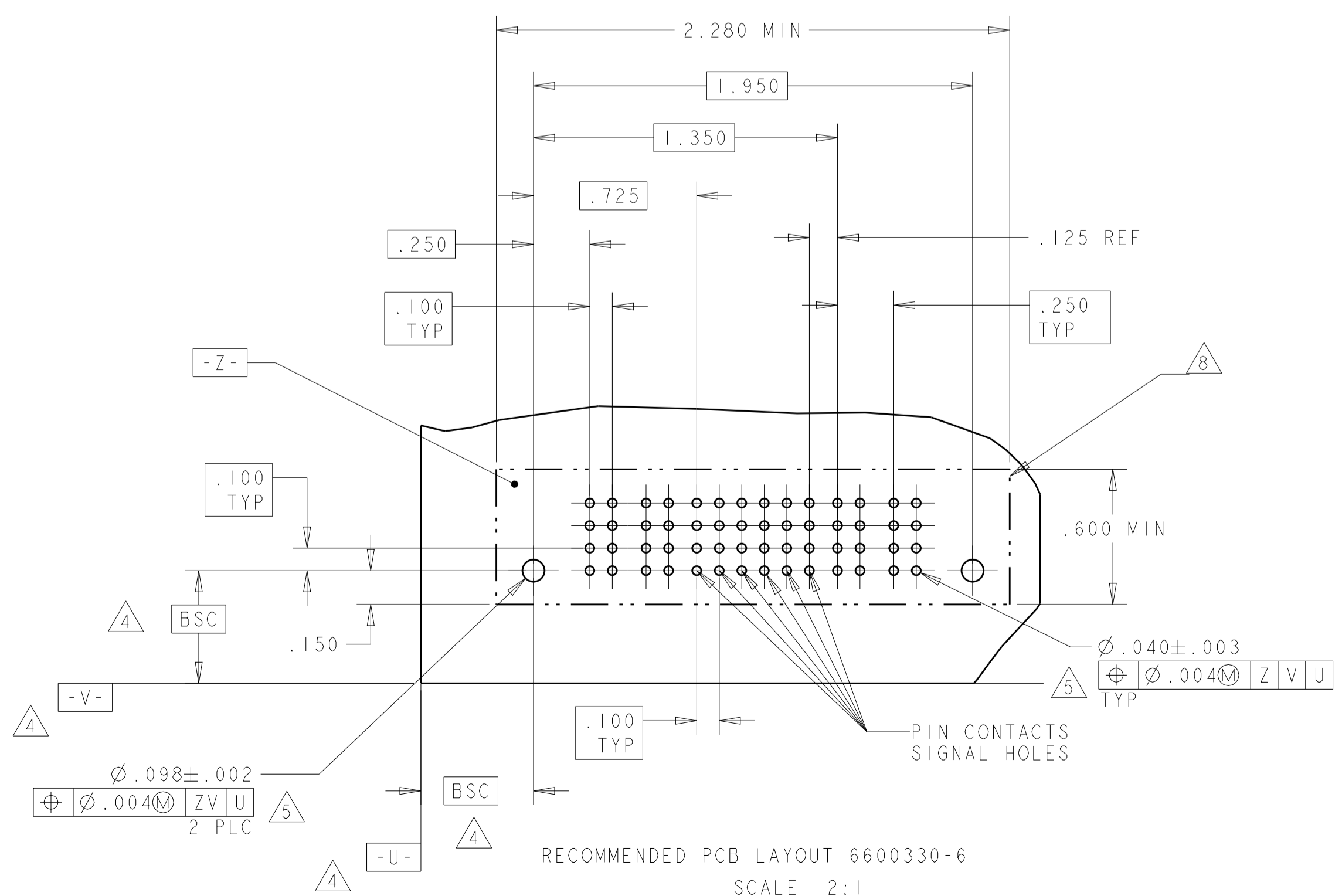
LOC	DIST	REV	DATE	BY	APPV
ES	00				

PART NUMBER	ROWS	POWER						SIGNAL								POWER														
		P1	P2	P3	P4	P5	P6	P7	1	2	3	4	5	6	7	8	P8	P9	P10	P11	P12	P13	P14							
6600330-5	D	SZ	SZ	SZ	SZ	SZ	SZ	SV	SV	SV	SV	SV	SV	SV	SV	SZ	SZ	SZ	SZ	SZ	SZ	SZ								
	SV							SV	SV	SV	SV	SV	SV	SV																
	SV							SV	SV	SV	SV	SV	SV	SV																
	SV							SV	SV	SV	SV	SV	SV	SV																
7P+32S+7P	HD																													HD



RECOMMENDED PCB LAYOUT 6600330-5  
 SCALE 2:1

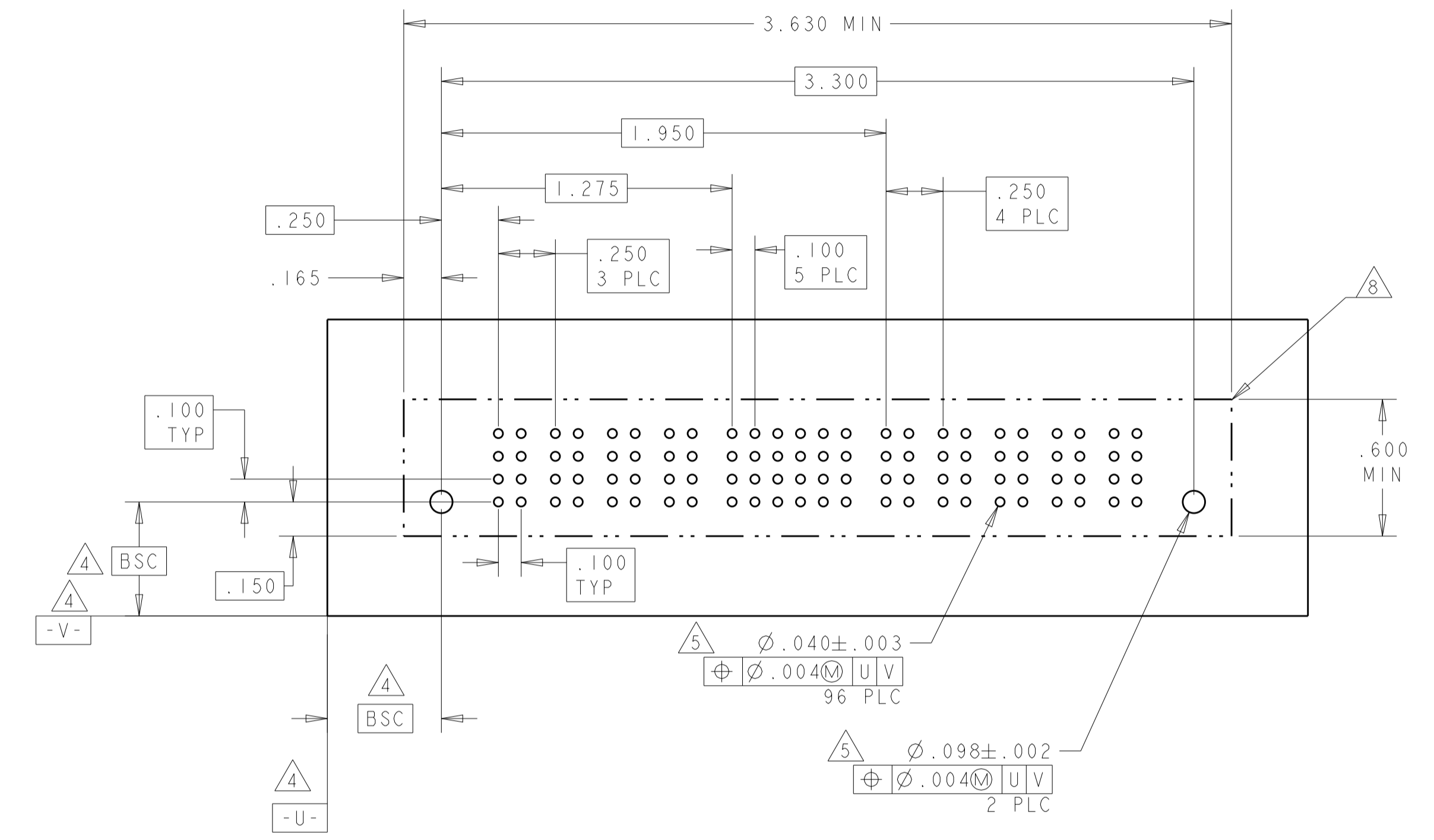
PART NUMBER	ROWS	POWER		SIGNAL						POWER		
		P1	P2	1	2	3	4	5	6	P3	P4	
6600330-6	D	MP	MP	MV	MV	MS	MV	MV	MV	MP	MP	
	MV			MV	MV	MV	MV	MV				
	MV			MV	MS	MV	MV	MV				
	MV			MV	MV	MV	MV	MV				
2P+24S+2P	HD											HD



RECOMMENDED PCB LAYOUT 6600330-6  
 SCALE 2:1

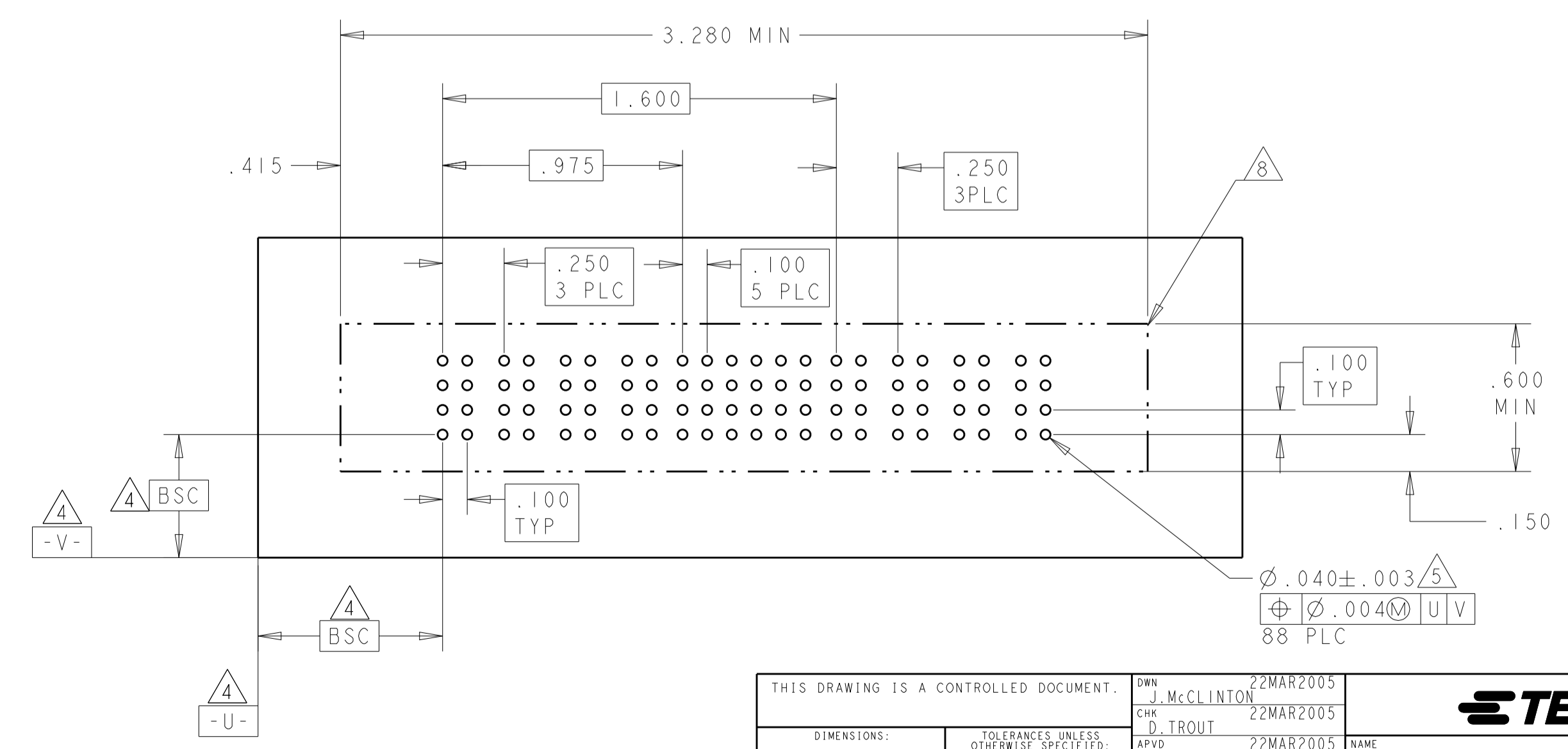
PART NUMBER	ROWS	POWER				SIGNAL					POWER						
		P1	P2	P3	P4	1	2	3	4	5	6	P5	P6	P7	P8	P9	
6600330-8	D	SZ	SZ	SZ	SZ	SS	SV	SS	SV	SV		SZ	SZ	SZ	SZ	SZ	
	SV					SV	SV	SV	SV								
	SV					SS	SV	SV	SV								
	SS					SS	SV	SV	SS								
4P+24S+5P	HD																HD

NO CONTACTS LOADED



RECOMMENDED PCB LAYOUT FOR 6600330-8

PART NUMBER	ROWS	POWER				SIGNAL						POWER			
		P1	P2	P3	P4	1	2	3	4	5	6	P5	P6	P7	P8
6600330-9	D	SZ	SZ	SZ	SZ	SV	SV	SV	SV	SV	SV	SZ	SZ	SZ	SZ
	SV					SV	SV	SV	SV	SV					
	SV					SV	SV	SV	SV	SV					
	SV					SV	SV	SV	SV	SV					
4P+24S+4P															

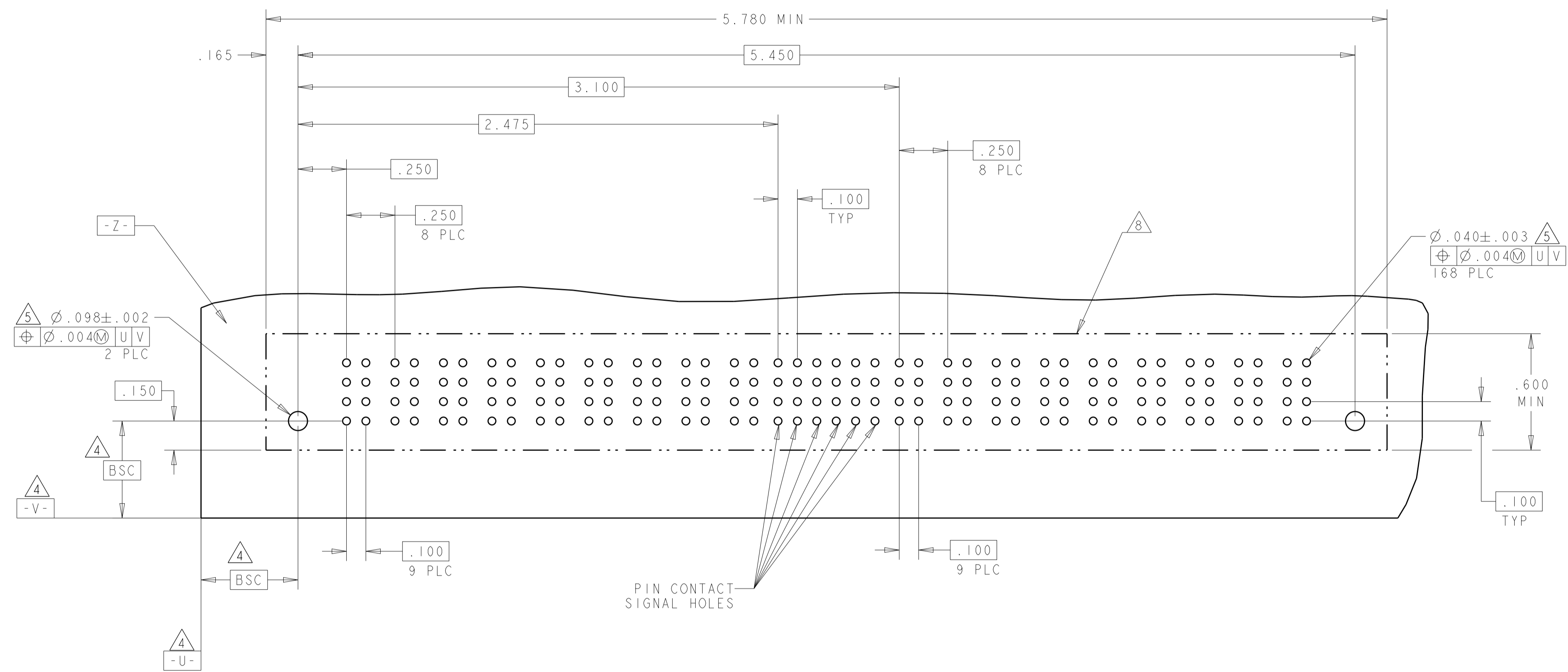


THIS DRAWING IS A CONTROLLED DOCUMENT.

DIMENSIONS: INCH 	TOLERANCES UNLESS OTHERWISE SPECIFIED: 0 PLC ±. 1 PLC ±. 2 PLC ±. 3 PLC ±.005 4 PLC ±.002 ANGLES ±.020	DWG: J. McCLINTON 22MAR2005 CHK: D. TROUT 22MAR2005 APVD: B. MLYNE 22MAR2005 PRODUCT SPEC 108-1973 APPLICATION SPEC 114-13038 WEIGHT CUSTOMER DRAWING	NAME: VERTICAL HEADER ASSEMBLY W/ GUIDES AND SOLDER TAILS MULTI-BEAM XL SIZE: A1 CAGE CODE: 6600330 SCALE: 4:1 SHEET: 4 OF 10 REV: J7
-------------------------	--	---	--

LOC	DIST	REVISIONS			
P	LTN	DESCRIPTION	DATE	DMN	APVD
ES	00	SEE SHEET 1			

PART NUMBER	ROWS	POWER									SIGNAL						POWER												
		P1	P2	P3	P4	P5	P6	P7	P8	P9	1	2	3	4	5	6	PI0	PI1	PI2	PI3	PI4	PI5	PI6	PI7	PI8				
I-6600330-0	D		SZ	SZ	SZ	SZ	SZ	SZ	SZ	SZ	SV	SV	SV	SV	SV	SV	SZ	SZ	SZ	SZ	SZ	SZ	SZ	SZ	SZ				
	SV										SV	SV	SV	SV	SV														
	SV										SV	SV	SV	SV	SV														
	SV										SV	SV	SV	SV	SV														
9P+24S+9P	HD																												HD



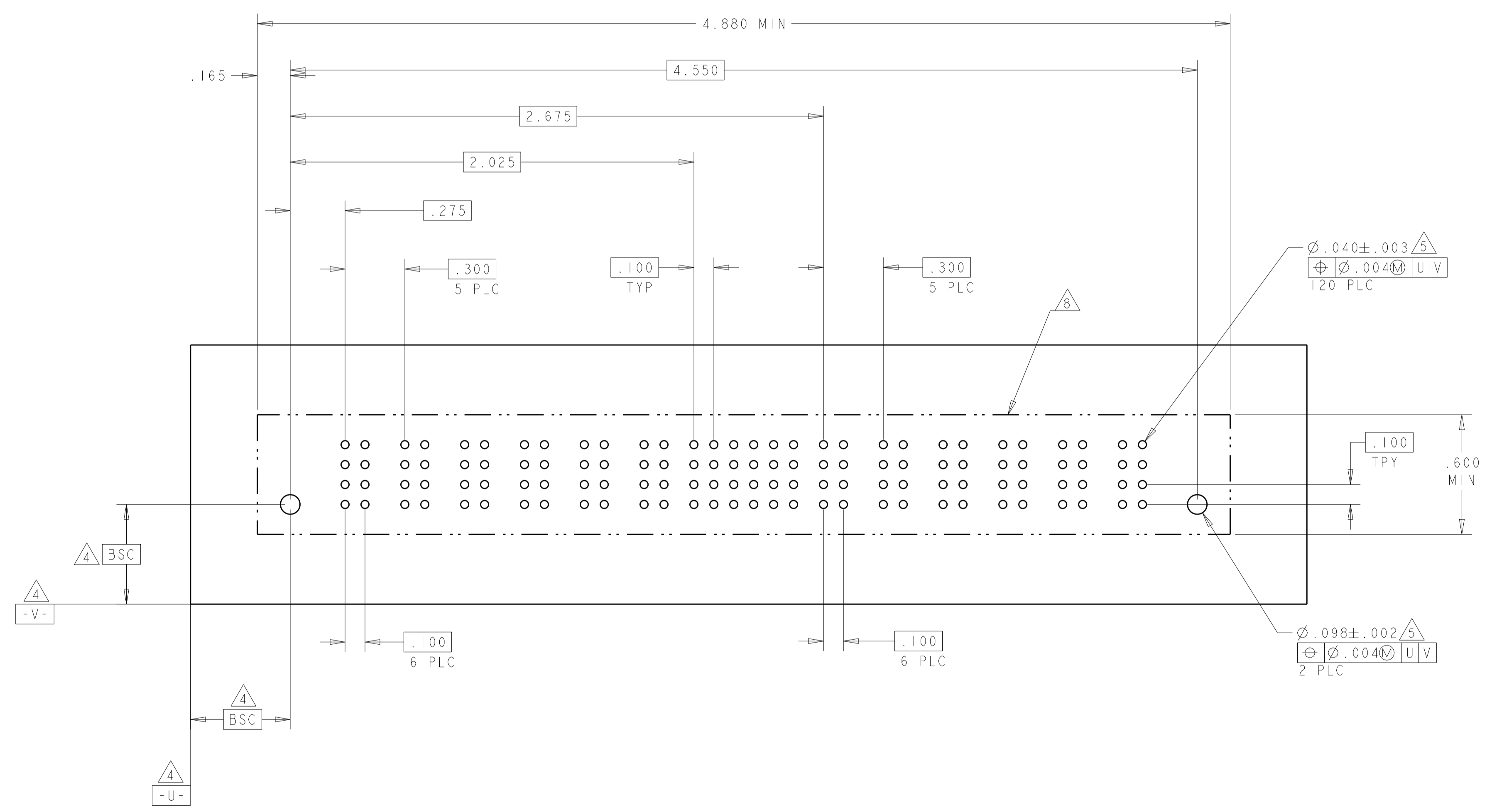
THIS DRAWING IS A CONTROLLED DOCUMENT.

DIMENSIONS: INCH	TOLERANCES UNLESS OTHERWISE SPECIFIED: 0 PLC ±. 1 PLC ±. 2 PLC ±. 3 PLC ±.005 4 PLC ±.0020 ANGLES ±.	DMN J. McCLINTON 22MAR2005 CHK D. TROUT 22MAR2005 APVD B. WHYNE 22MAR2005	NAME PRODUCT SPEC 108-1973 APPLICATION SPEC 114-13038 WEIGHT CUSTOMER DRAWING	TE Connectivity <b>VERTICAL HEADER ASSEMBLY W/ GUIDES AND SOLDER TAILS MULTI-BEAM XL</b>	RESTRICTED TO A100779C=6600330
---------------------	--	---	---	---	-----------------------------------

SCALE 4:1 SHEET 5 OF 10 REV J7

LOC	DIST	REVISIONS					
		P	LTN	DESCRIPTION	DATE	DWN	APVD
ES	00	-	-	SEE SHEET 1	-	-	-

PART NUMBER	ROWS	POWER						SIGNAL						POWER						
		P1	P2	P3	P4	P5	P6	1	2	3	4	5	6	P7	P8	P9	P10	P11	P12	
I-6600330-1	D	SZ	SZ	SZ	SZ	SZ	SZ	SV	SV	SV	SV	SV	SV	SZ	SZ	SZ	SZ	SZ	SZ	
	C							SS	SS	SS	SS	SS	SS							
	B							SS	SS	SS	SS	SS	SS							
	A							SS	SS	SS	SS	SS	SS							
6ACP+24S+6ACP	HD																			HD

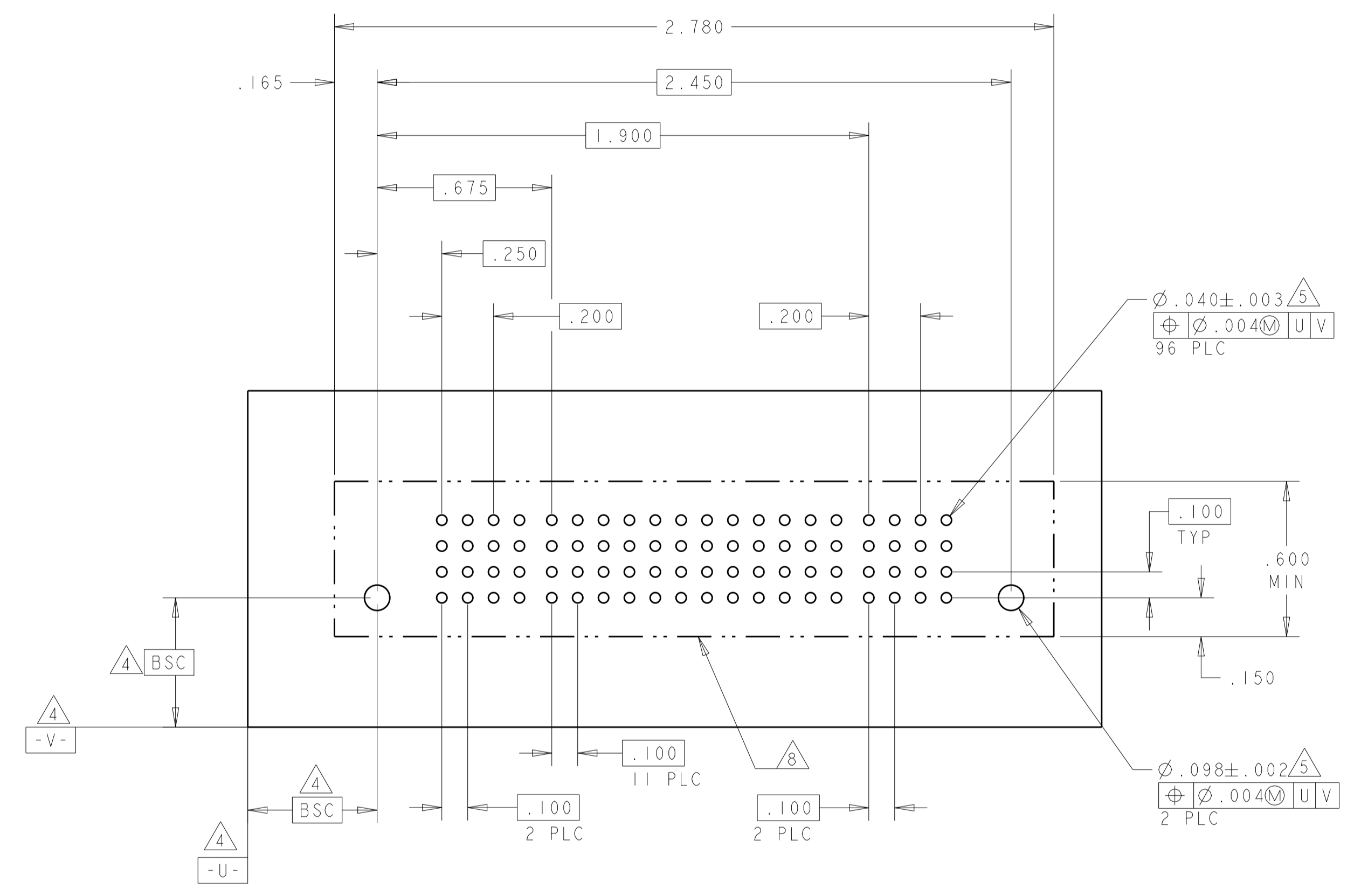
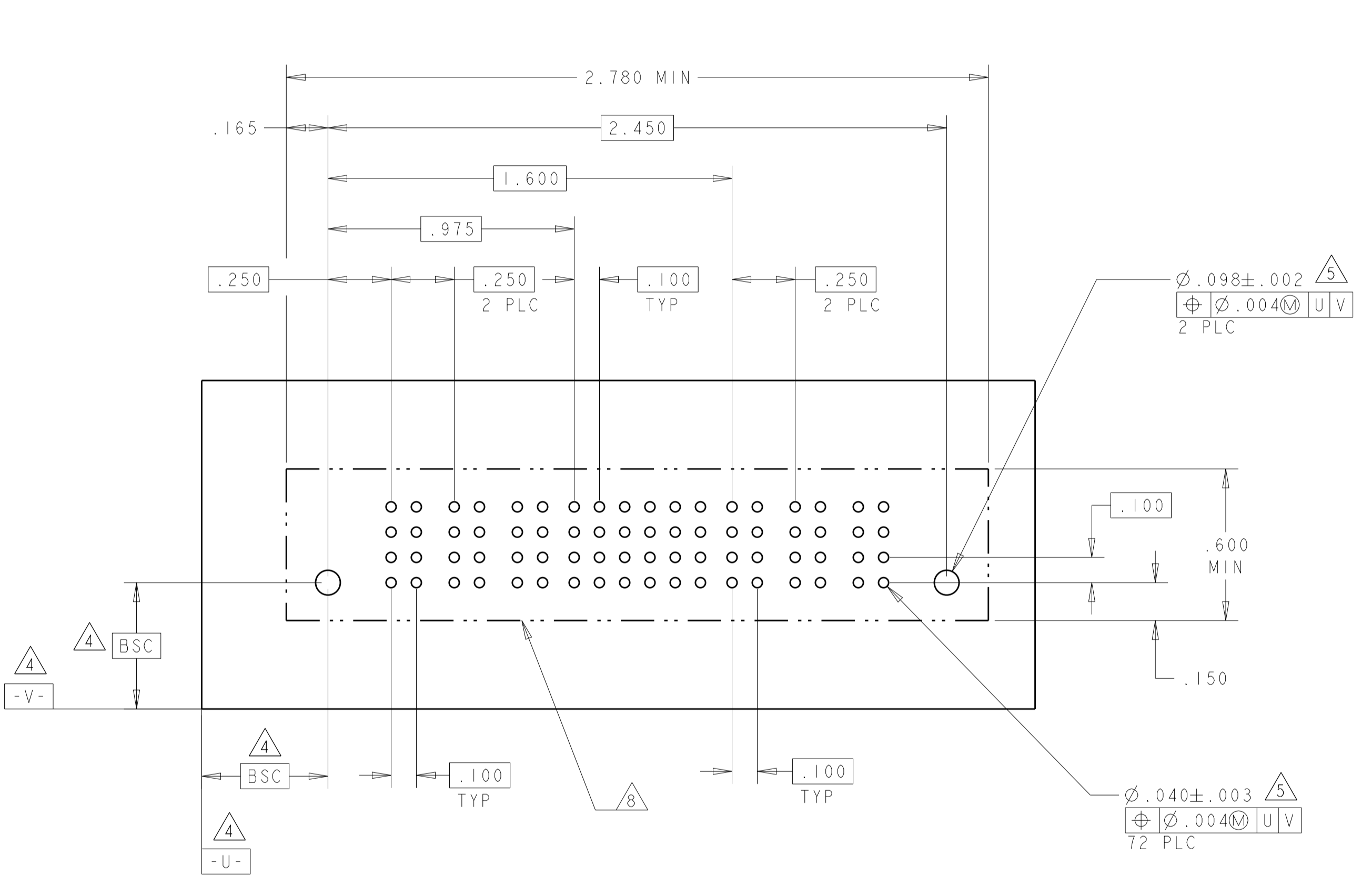


THIS DRAWING IS A CONTROLLED DOCUMENT.		DWN J. McCLINTON 22MAR2005	 TE Connectivity
DIMENSIONS: INCH		CHK D. TROUT 22MAR2005	
		TOLERANCES UNLESS OTHERWISE SPECIFIED: 0 PLC ± 1 PLC ± 2 PLC ± 3 PLC ± 4 PLC ±.005 ANGLES ±.0020	NAME PRODUCT SPEC 108-1973 APPLICATION SPEC 114-13038 WEIGHT CUSTOMER DRAWING
MATERIAL		APVD B. WHYNE 22MAR2005	SIZE CAGE CODE DRAWING NO A100779C=6600330
FINISH		RESTRICTED TO	SCALE 4:1 SHEET 6 OF 10 REV J7

LOC	DIST	REVISIONS			
P	LTN	DESCRIPTION	DATE	DNW	APVD
ES	00	SEE SHEET 1			

PART NUMBER	ROWS	POWER			SIGNAL						POWER		
		P1	P2	P3	1	2	3	4	5	6	P4	P5	P6
I-6600330-2	D	SZ	SZ	SZ	SV	SV	SV	SV	SV	SV	SZ	SZ	SZ
	C				SV	SV	SV	SV	SV	SV			
	B				SV	SV	SV	SV	SV	SV			
	A				SV	SV	SV	SV	SV	SV			
3P + 24S + 3P													

PART NUMBER	ROWS	POWER		SIGNAL												POWER				
		P1	P2	1	2	3	4	5	6	7	8	9	10	11	12	P3	P4			
I-6600330-3	D	SZ	SZ	SV	SV	SS	SS	SV	SS	SS	SV	SS	SS	SV	SS	SS	SV	SS	SS	
	C			SS	SS	SV	SS	SS	SS	SS	SV	SS	SS	SS	SS	SS	SS	SS	SS	SS
	B			SV	SV	SS	SS	SS	SS	SS	SS	SV	SS	SS	SS	SS	SS	SS	SS	SS
	A			SS	SS	SV	SS	SS	SS	SS	SS	SV	SS	SS	SS	SS	SS	SS	SS	SS
2HDP + 48S + 2HDP																				

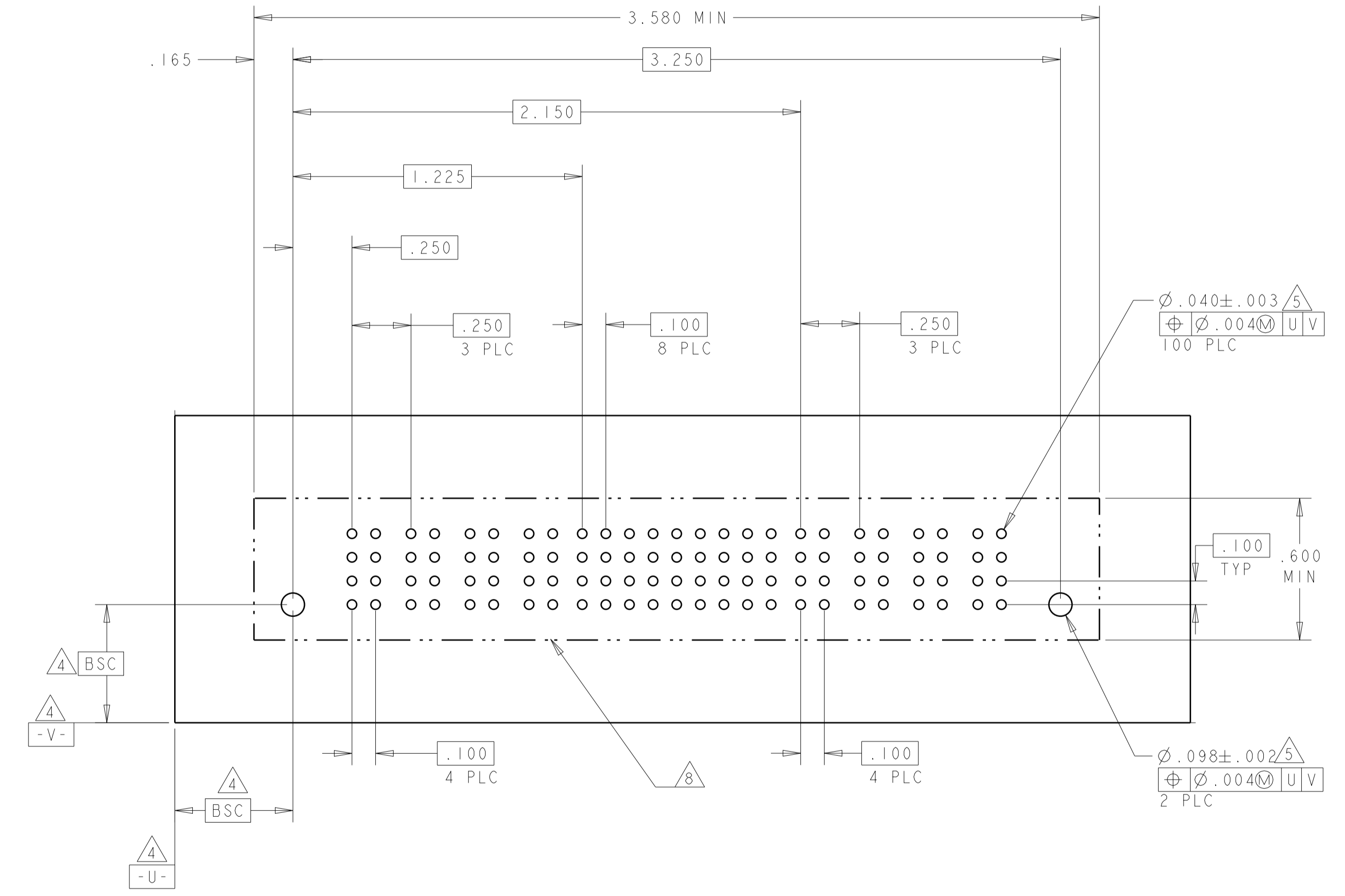
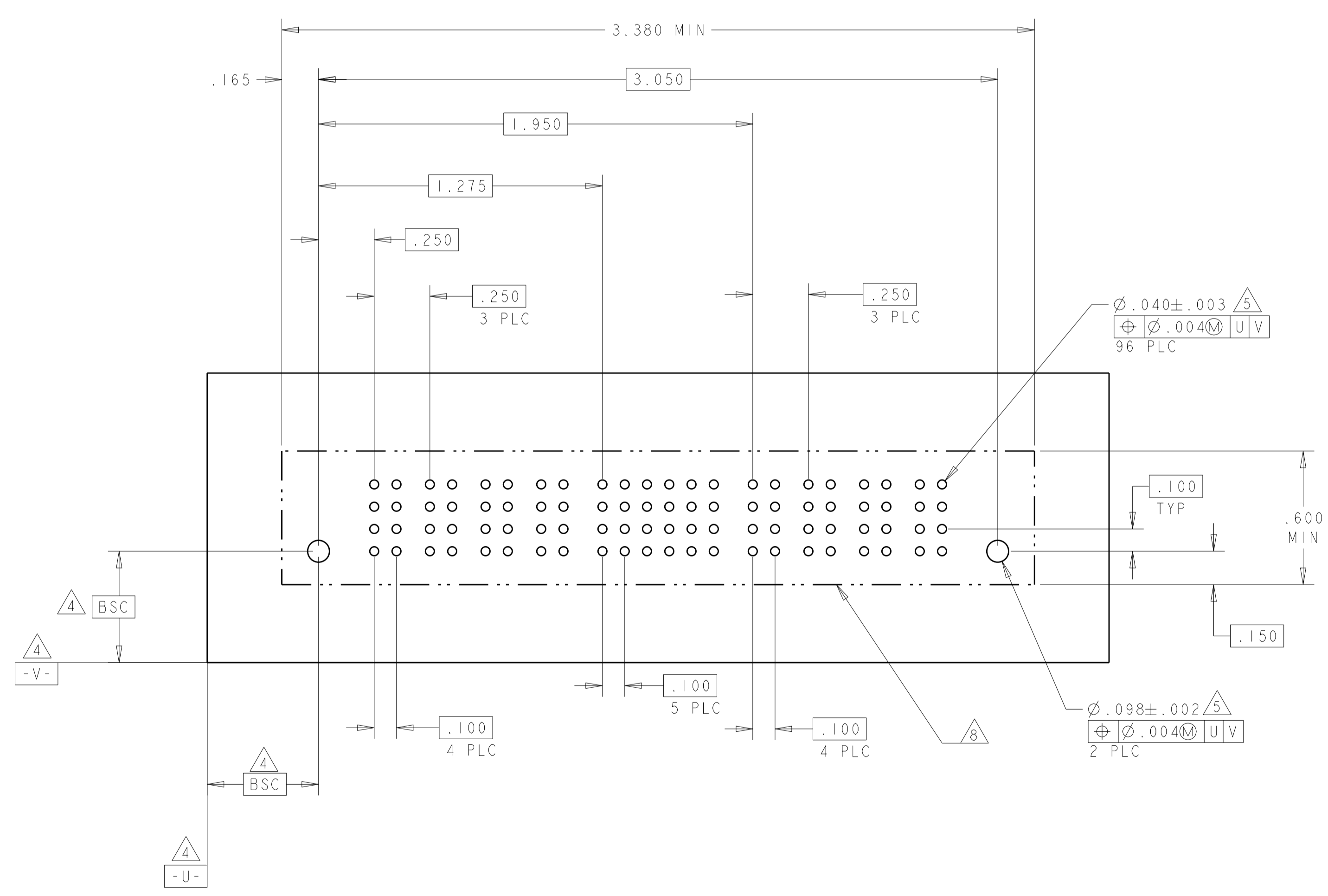


THIS DRAWING IS A CONTROLLED DOCUMENT.		DNW J. McCLINTON 22MAR2005	 TE Connectivity
DIMENSIONS: INCH		CHK D. TROUT 22MAR2005	
TOLERANCES UNLESS OTHERWISE SPECIFIED:		APVD B. WHYNE 22MAR2005	NAME VERTICAL HEADER ASSEMBLY W/ GUIDES AND SOLDER TAILS MULTI-BEAM XL
0 PLC ± 2 PLC ± 3 PLC ±.005 4 PLC ±.0020 ANGLES ±.0020 FINISH		PRODUCT SPEC 108-1973	SIZE A100779
MATERIAL		APPLICATION SPEC 114-13038	CAGE CODE C=6600330
		WEIGHT	RESTRICTED TO
		CUSTOMER DRAWING	SCALE 4:1 SHEET 7 OF 10 REV J7

LOC	DIST	REV	DATE	BY	APPD
ES	00				
REVISIONS			DESCRIPTION	DATE	BY
-			SEE SHEET 1	-	-

PART NUMBER	ROWS	POWER				SIGNAL						POWER			
		P1	P2	P3	P4	1	2	3	4	5	6	P5	P6	P7	P8
1-6600330-9	D	SZ	SZ	SZ	SZ	SS	SS	SS	SS	SV	SS	SZ	SZ	SZ	SZ
	C					SS	SS	SS	SS	SV	SS				
	B					SS	SS	SS	SS	SV	SS				
	A					SS	SS	SV	SS	SV	SS				
4P+24S+4P		HD													HD

PART NUMBER	ROWS	POWER				SIGNAL									POWER			
		P1	P2	P3	P4	1	2	3	4	5	6	7	8	9	P5	P6	P7	P8
2-6600330-0	D	SZ	SZ	SZ	SZ	SV	SV	SV	SV	SV	SV	SV	SV	SV	SZ	SZ	SZ	SZ
	C					SV	SV	SV	SV	SV	SV	SV	SV	SV				
	B					SV	SV	SV	SV	SV	SV	SV	SV	SV				
	A					SV	SV	SV	SV	SV	SV	SV	SV	SV				
4P+36S+4P		HD																HD



THIS DRAWING IS A CONTROLLED DOCUMENT.

DIMENSIONS:	TOLERANCES UNLESS OTHERWISE SPECIFIED:	OWN	J. McCLINTON	22MAR2005
INCH	0 PLC ±	CHK	D. TROUT	22MAR2005
	1 PLC ±	APPD	B. WYNE	22MAR2005
	2 PLC ±	PRODUCT SPEC		
	3 PLC ±	APPLICATION SPEC		
	4 PLC ±	114-13038		
	ANGLES ±	WEIGHT		
	FINISH	CUSTOMER DRAWING		

NAME: VERTICAL HEADER ASSEMBLY W/ GUIDES AND SOLDER TAILS MULTI-BEAM XL

SIZE: A1 00779 C=6600330

SCALE: 4:1 SHEET 8 OF 10 REV J7

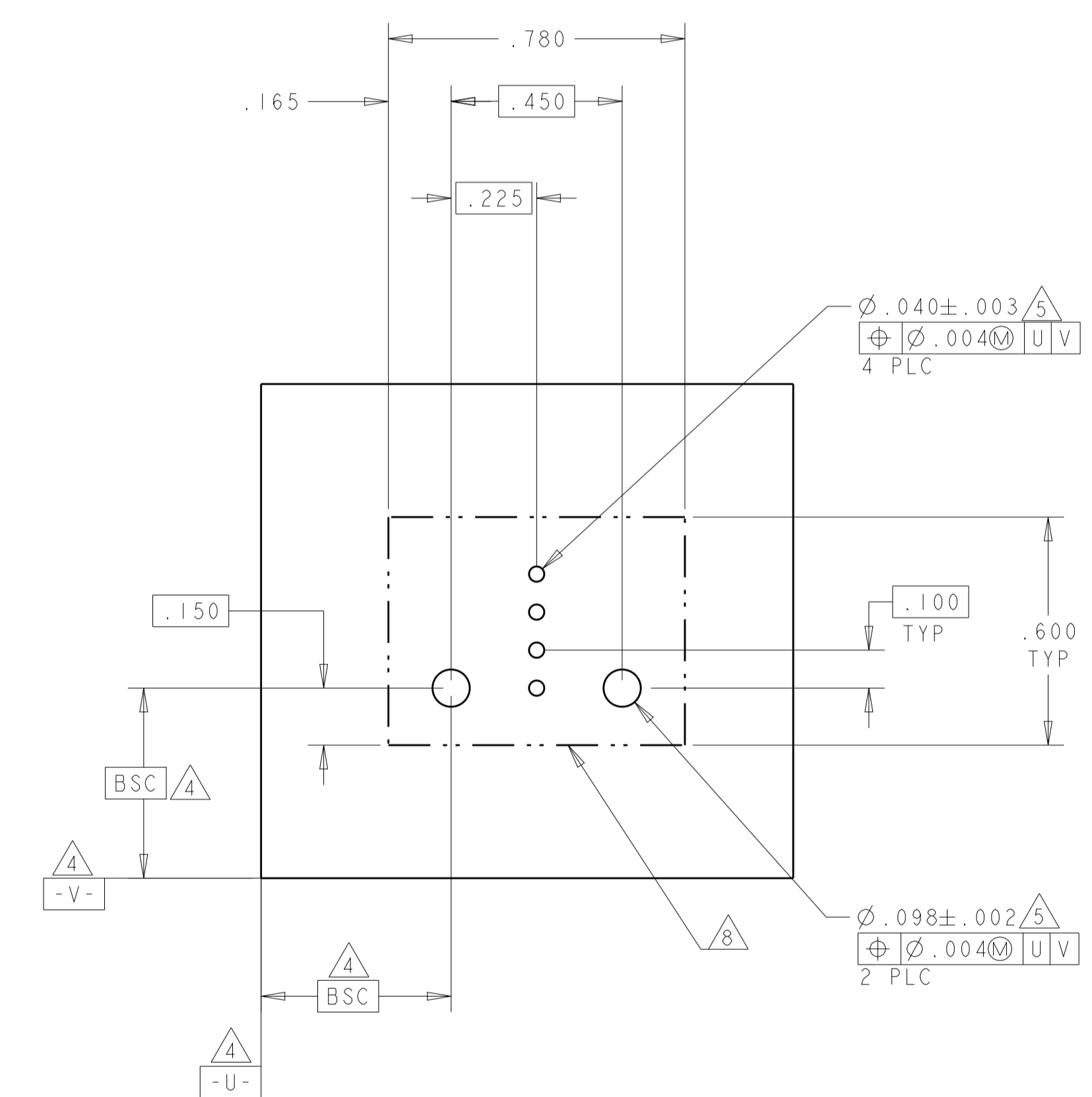
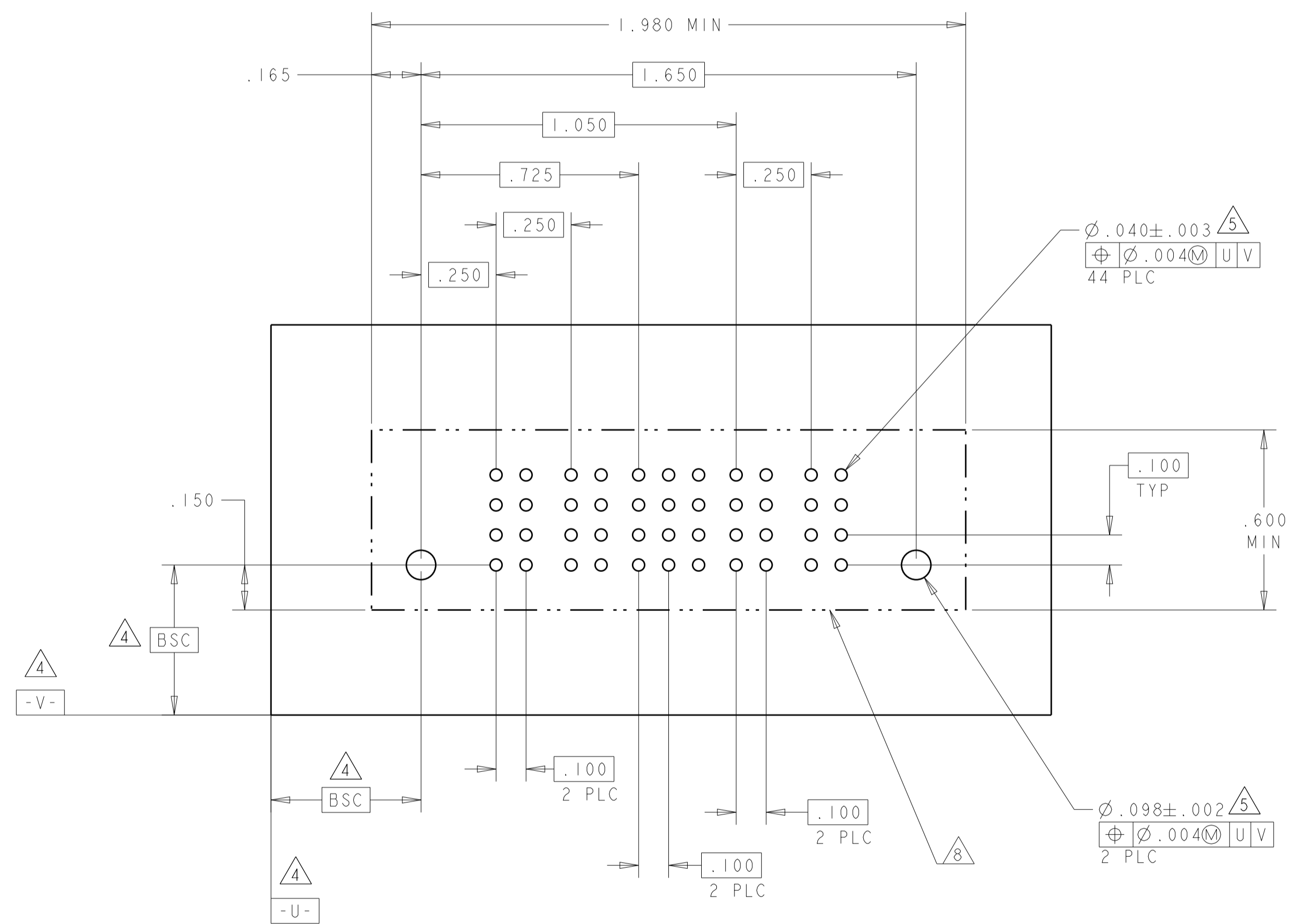


LOC	DIST	REVISIONS			
P	LTN	DESCRIPTION	DATE	DMN	APVD
ES	00	SEE SHEET 1	-	-	-

PART NUMBER	ROWS	POWER		SIGNAL			POWER	
		P1	P2	1	2	3	P3	P4
2-6600330-1	D	SZ	SZ	SV	SV	SV	SZ	SZ
	C			SV	SV	SV		
	B			SV	SV	SV		
	A			SV	SV	SV		
2P + 12S + 2P		HD					HD	

PART NUMBER	ROWS	SIGNAL	
		1	2
2-6600330-3	D	SV	
	C	SV	
	B	SV	
	A	SV	
4S		HD	HD

J3

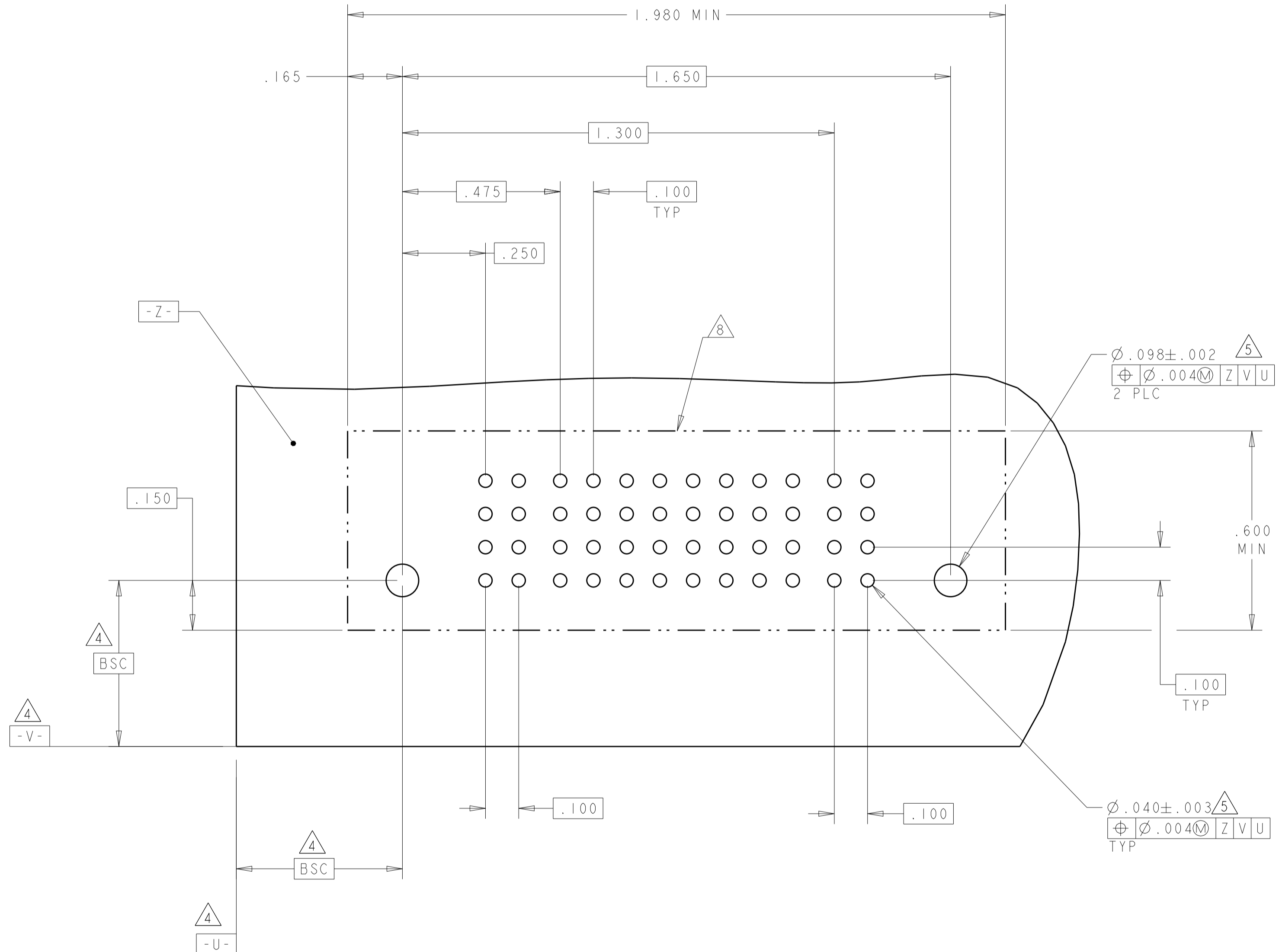
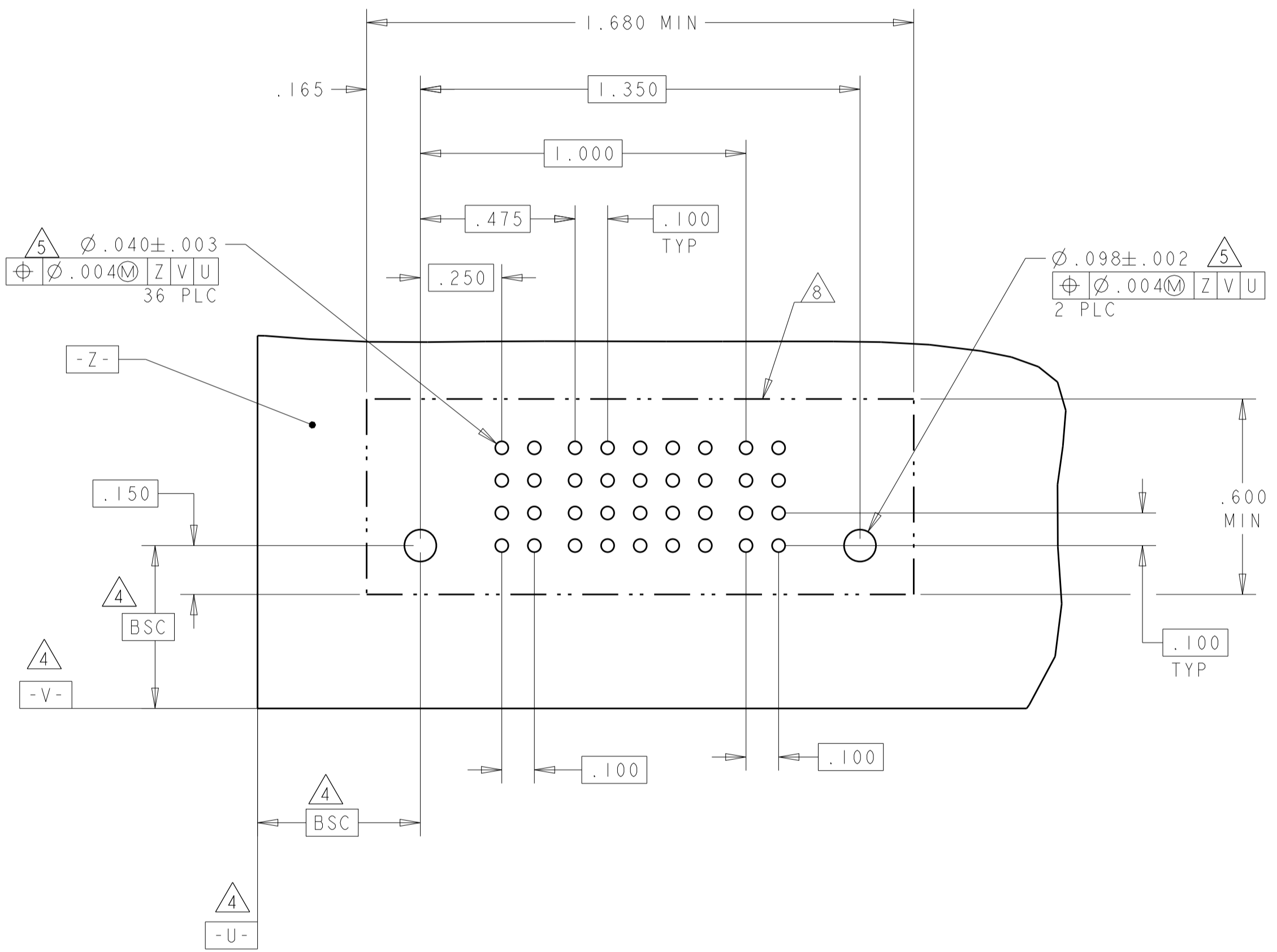


THIS DRAWING IS A CONTROLLED DOCUMENT.		DMN: J. McCLINTON 22MAR2005	TE Connectivity <b>VERTICAL HEADER ASSEMBLY W/ GUIDES AND SOLDER TAILS MULTI-BEAM XL</b>
DIMENSIONS: INCH		CHK: D. TROUT 22MAR2005	
TOLERANCES UNLESS OTHERWISE SPECIFIED:		APVD: B. WHYNE 22MAR2005	NAME: 108-1973
0 PLC ± .010		PRODUCT SPEC	APPLICATION SPEC
1 PLC ± .005		APPLY TO: 114-13038	RESTRICTED TO: A100779C=6600330
2 PLC ± .002		WEIGHT: -	SCALE: 4:1 SHEET 9 OF 10 REV J7
3 PLC ± .002		CUSTOMER DRAWING	
4 PLC ± .002			
ANGLES ± .020			
FINISH: -			

LOC	DIST	REVISIONS			
P	LTN	DESCRIPTION	DATE	DMN	APVD
ES	00	SEE SHEET 1	-	-	-

PART NUMBER	ROWS	POWER	SIGNAL					POWER	
			PI	1	2	3	4		5
2-6600330-4	D	SZ	SZ	SV	SV	SV	SV	SV	SZ
	C			SV	SV	SV	SV	SV	
	B			SV	SV	SV	SV	SV	
	A			SV	SV	SV	SV	SV	
IP+20S+IP		HD							HD

PART NUMBER	ROWS	POWER	SIGNAL								POWER		
			PI	1	2	3	4	5	6	7		8	P2
2-6600330-5	D	SZ	SZ	SV	SV	SV	SV	SV	SV	SV	SV	SV	SZ
	C			SV	SV	SV	SV	SV	SV	SV	SV		
	B			SV	SV	SV	SV	SV	SV	SV	SV		
	A			SV	SV	SV	SV	SV	SV	SV	SV		
IP+32S+IP		HD											HD



THIS DRAWING IS A CONTROLLED DOCUMENT.

DIMENSIONS: INCH	TOLERANCES UNLESS OTHERWISE SPECIFIED:	DMN: J. McCLINTON 22MAR2005	CHK: D. TROUT 22MAR2005	APVD: B. WHYNE 22MAR2005	NAME: VERTICAL HEADER ASSEMBLY W/ GUIDES AND SOLDER TAILS MULTI-BEAM XL
0 PLC ±	1 PLC ±	PRODUCT SPEC	108-1973	APPLICATION SPEC	SIZE: CAGE CODE DRAWING NO
2 PLC ±	3 PLC ±	114-13038	114-13038	114-13038	RESTRICTED TO
4 PLC ±	ANGLES ±	WEIGHT	A100779	C=6600330	
FINISH		CUSTOMER DRAWING	SCALE: 4:1	SHEET 10 OF 10	REV J7

TE Connectivity

Компания «Океан Электроники» предлагает заключение долгосрочных отношений при поставках импортных электронных компонентов на взаимовыгодных условиях!

Наши преимущества:

- Поставка оригинальных импортных электронных компонентов напрямую с производств Америки, Европы и Азии, а так же с крупнейших складов мира;
- Широкая линейка поставок активных и пассивных импортных электронных компонентов (более 30 млн. наименований);
- Поставка сложных, дефицитных, либо снятых с производства позиций;
- Оперативные сроки поставки под заказ (от 5 рабочих дней);
- Экспресс доставка в любую точку России;
- Помощь Конструкторского Отдела и консультации квалифицированных инженеров;
- Техническая поддержка проекта, помощь в подборе аналогов, поставка прототипов;
- Поставка электронных компонентов под контролем ВП;
- Система менеджмента качества сертифицирована по Международному стандарту ISO 9001;
- При необходимости вся продукция военного и аэрокосмического назначения проходит испытания и сертификацию в лаборатории (по согласованию с заказчиком);
- Поставка специализированных компонентов военного и аэрокосмического уровня качества (Xilinx, Altera, Analog Devices, Intersil, Interpoint, Microsemi, Actel, Aeroflex, Peregrine, VPT, Syfer, Eurofarad, Texas Instruments, MS Kennedy, Miteq, Cobham, E2V, MA-COM, Hittite, Mini-Circuits, General Dynamics и др.);

Компания «Океан Электроники» является официальным дистрибьютором и эксклюзивным представителем в России одного из крупнейших производителей разъемов военного и аэрокосмического назначения «**JONHON**», а так же официальным дистрибьютором и эксклюзивным представителем в России производителя высокотехнологичных и надежных решений для передачи СВЧ сигналов «**FORSTAR**».



## JONHON

«**JONHON**» (основан в 1970 г.)

Разъемы специального, военного и аэрокосмического назначения:

(Применяются в военной, авиационной, аэрокосмической, морской, железнодорожной, горно- и нефтедобывающей отраслях промышленности)

«**FORSTAR**» (основан в 1998 г.)

ВЧ соединители, коаксиальные кабели,  
кабельные сборки и микроволновые компоненты:

(Применяются в телекоммуникациях гражданского и специального назначения, в средствах связи, РЛС, а так же военной, авиационной и аэрокосмической отраслях промышленности).



Телефон: 8 (812) 309-75-97 (многоканальный)

Факс: 8 (812) 320-03-32

Электронная почта: [ocean@oceanchips.ru](mailto:ocean@oceanchips.ru)

Web: <http://oceanchips.ru/>

Адрес: 198099, г. Санкт-Петербург, ул. Калинина, д. 2, корп. 4, лит. А