

8-BIT SHIFT REGISTER WITH 8-BIT OUTPUT REGISTER

Description

The 74HCT595 is an high speed CMOS device that is designed to be pin compatible with 74LS low power Schottky types.

An eight bit shift register accepts data from the serial input (DS) on each positive transition of the shift register clock (STCP). When asserted low the reset function (\overline{MR}) sets all shift register values to zero and is independent of all clocks.

Data from the input serial shift register is placed in the output register with a rising pulse on the storage register clock (SHCP). With the output enable (\overline{OE}) asserted low the 3-state outputs Q0-Q7 become active and present the

All registers capture data on rising edge and change output on the falling edge. If both clocks are connected together the input shift register is always one clock cycle ahead of the output register.

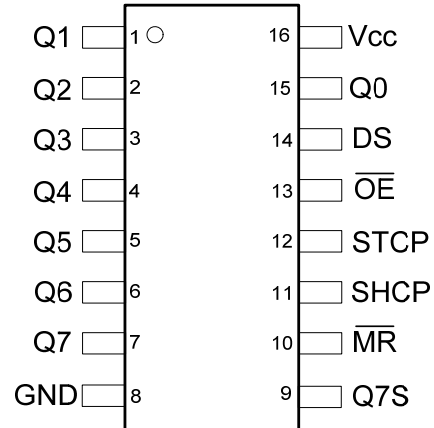
Features

- Supply Voltage Range from 4.5V to 5.5V
- Sinks or sources 8mA at $V_{CC} = 4.5V$
- CMOS low power consumption
- Schmitt Trigger Action at All Inputs
- Inputs accept up to 6.0V
- ESD Protection Tested per JESD 22
 - Exceeds 200-V Machine Model (A115-A)
 - Exceeds 2000-V Human Body Model (A114-A)
 - Exceeds 1000-V Charged Device Model (C101C)
- Latch-Up Exceeds 250mA per JESD 78, Class II
- **Totally Lead-Free & Fully RoHS Compliant (Notes 1 & 2)**
- **Halogen and Antimony Free. "Green" Device (Note 3)**

Notes: 1. No purposely added lead. Fully EU Directive 2002/95/EC (RoHS) & 2011/65/EU (RoHS 2) compliant.
 2. See http://www.diodes.com/quality/lead_free. for more information about Diodes Incorporated's definitions of Halogen- and Antimony-free, "Green" and Lead-free.
 3. Halogen- and Antimony-free "Green" products are defined as those which contain <900ppm bromine, <900ppm chlorine (<1500ppm total Br + Cl) and < 1000 ppm antimony compounds.

Pin Assignments

(Top View)



SO-16 / TSSOP-16

Applications

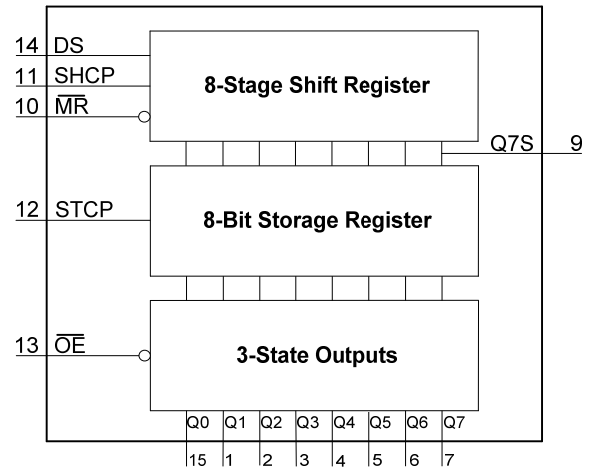
- General Purpose Logic
- Serial to Parallel Data conversion
- Capture and hold data for extended periods of time.
- Allow simple serial bit streams from a microcontroller to control as many peripheral lines as needed.
- Wide array of products such as:
 - Computer peripherals
 - Appliances
 - Industrial control

[Click for Ordering Information](#)

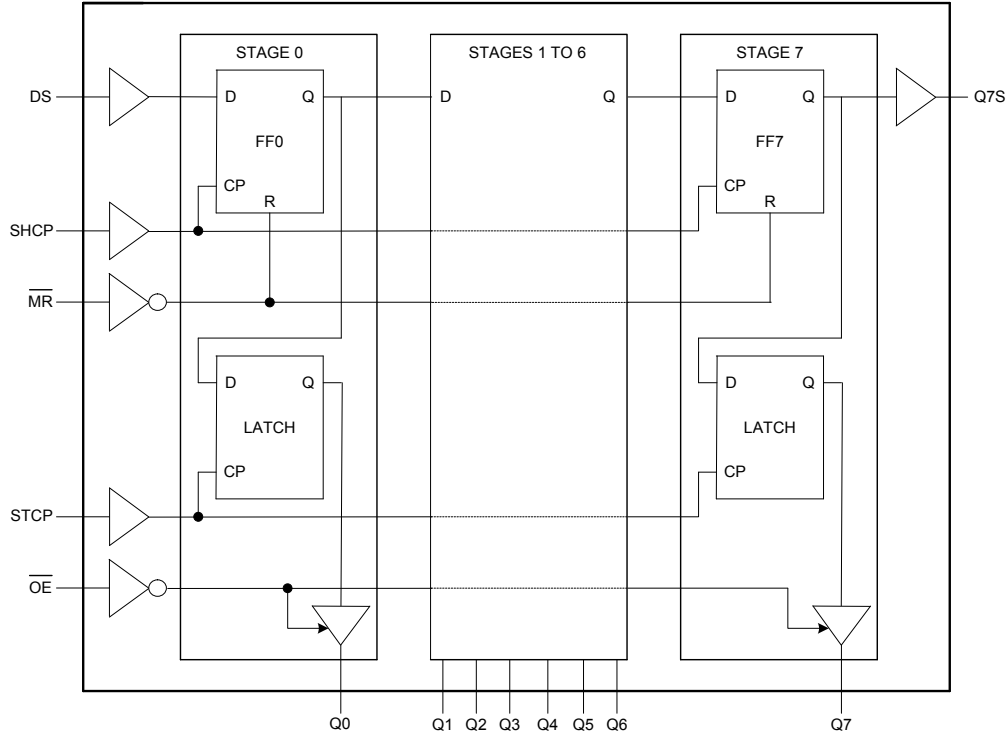
Pin Descriptions

Pin Number	Pin Name	Description
1	Q1	Parallel Data Output 1
2	Q2	Parallel Data Output 2
3	Q3	Parallel Data Output 3
4	Q4	Parallel Data Output 4
5	Q5	Parallel Data Output 5
6	Q6	Parallel Data Output 6
7	Q7	Parallel Data Output 7
8	GND	Ground
9	Q7S	Serial Data Output
10	\overline{MR}	Master Reset Input
11	SHCP	Shift Register Clock Input
12	STCP	Storage Register Clock Input
13	\overline{OE}	Output Enable Input
14	DS	Serial Data Input
15	Q0	Parallel Data Output 0
16	Vcc	Supply Voltage

Functional Diagram



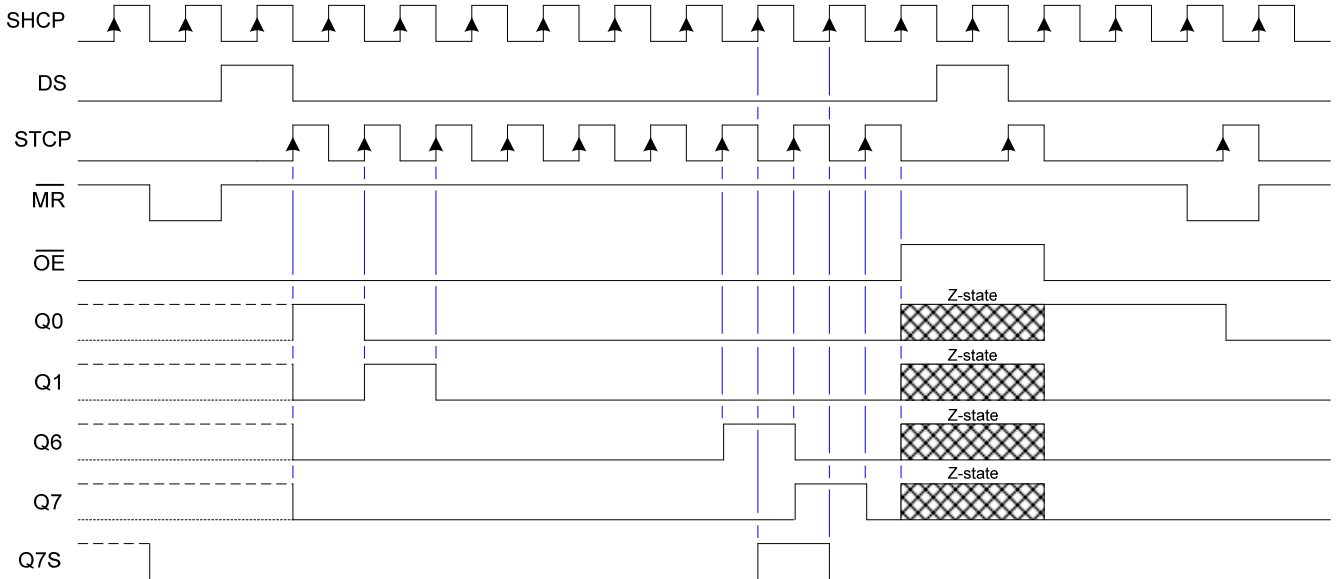
Logic Diagram



Functional Description and Timing Diagram

Control				Input	Output		Function
SHCP	STCP	\overline{OE}	\overline{MR}	DS	Q7S	Qn	
X	X	L	L	-	L	NC	Low-level asserted on MR clears shift register Storage register is unchanged
X	↑	L	L	-	L	L	Empty shift register transferred to storage register
X	X	H	L	-	L	Z	Shift register remains clear; All Q outputs in Z state
↑	X	L	H	-	Q6S	NC	HIGH is shifted into first stage of Shift Register Contents of each register shifted to next register The content of Q6S has been shifted to Q7S and now appears on device pin Q7S
X	↑	L	H	-	NC	QnS	Contents of shift register copied to storage register With output now in active state, the storage register contents appear on Q outputs
↑	↑	L	H	-	Q6S	QnS	-

H=HIGH voltage state
L=LOW voltage state
↑=LOW to HIGH transition
X= don't care – high or low (not floating)
NC= No change
Z= high-impedance state



Absolute Maximum Ratings (Note 4) (@ $T_A = +25^\circ\text{C}$, unless otherwise specified.)

Symbol	Description	Rating	Unit	
ESD HBM	Human Body Model ESD Protection	2	KV	
ESD CDM	Charged Device Model ESD Protection	1	KV	
ESD MM	Machine Model ESD Protection	200	V	
V_{CC}	Supply Voltage Range	-0.5 to +7.0	V	
V_I	Input Voltage Range	-0.5 to +7.0	V	
V_O	Voltage applied to output in high or low state	-0.3 to $V_{CC} + 0.5$	V	
I_{IK}	Input Clamp Current $V_I < -0.5V$	-20	mA	
I_{IK}	Input Clamp Current $V_I > V_{CC} + 0.5V$	20	mA	
I_{OK}	Output Clamp Current $V_O < -0.5V$	-20	mA	
I_{OK}	Output Clamp Current $V_O > V_{CC} + 0.5V$	20	mA	
I_O	Continuous output current	Q7 standard output	+/- 25	mA
		Qn bus driver outputs	+/- 35	mA
I_{CC}	Continuous current through V_{CC} or GND	70	mA	
I_{GND}	Continuous current through V_{CC} or GND	-70	mA	
T_J	Operating Junction Temperature	-40 to +150	$^\circ\text{C}$	
T_{STG}	Storage Temperature	-65 to +150	$^\circ\text{C}$	
P_{TOT}	Total Power Dissipation	500	mW	

Note: 4. Stresses beyond the absolute maximum may result in immediate failure or reduced reliability. These are stress values, and device operation should be within recommend values.

Recommended Operating Conditions (Note 5) (@ $T_A = +25^\circ\text{C}$, unless otherwise specified.)

Symbol	Parameter	Conditions	Min	Max	Unit
V_{CC}	Supply Voltage	-	4.5	5.5	V
V_I	Input Voltage	-	0	5.5	V
V_O	Output Voltage	Active Mode	0	V_{CC}	V
$\Delta t/\Delta V$	Input transition rise or fall rate	$V_{CC} = 4.5V$ to $5.5V$	-	100	ns/V
T_A	Operating free-air temperature	-	-40	125	$^\circ\text{C}$

Note: 5. Unused inputs should be held at V_{CC} or Ground.

Electrical Characteristics (@T_A = +25°C, unless otherwise specified.)

Symbol	Parameter	Test Conditions	V _{CC}	T _A = +25°C			T _A = -40°C to +85°C		T _A = -40°C to +125°C		Unit
				Min	Typ	Max	Min	Max	Min	Max	
V _{IH}	High-level Input Voltage	–	4.5V to 5.5V	2.0	–	–	2.0	–	2.0	–	V
V _{IL}	Low-level input voltage	–	4.5V to 5.5V	–	–	0.8	–	0.8	–	0.8	V
V _{OH}	High Level Output Voltage	I _{OH} = -20μA All outputs	4.5V	4.4	4.5	–	4.4	–	4.4	–	V
	Q7 output	I _{OH} = -4mA	4.5V	3.84	4.32	–	4.32	–	3.7	–	
	Qn Bus Outputs	I _{OH} = -6.0mA	4.5V	3.7	4.32	–	4.32	–	3.7	–	
V _{OL}	Low-level Output Voltage	I _{OL} = 20μA All outputs	4.5V	–	0	0.1	–	0.1	–	0.1	V
	Q7 output	I _{OL} = 4mA	4.5V	–	0.15	0.33	–	0.33	–	0.4	
	Qn Bus Outputs	I _{OL} = 6.0mA	4.5V	–	.016	0.33	–	0.33	–	0.4	
I _I	Input Current	V _I = GND to 5.5 V	5.5V	–	–	±0.1	–	± 1	–	± 1	μA
I _{OZ}	OFF-state output current	Qn internal high or low. V _O = V _{CC} or Gnd	5.5V	–	–	± 5	–	± 5	–	± 10	μA
I _{CC}	Supply Current	V _I = GND or V _{CC} I _O = 0	5.5V	–	–	8.0	–	80	–	160	μA
ΔI _{CC}	Additional Supply Current per Input	V _I = V _{CC} - 2.1V I _O = 0	4.5V to 5.5V	–	100	450	–	450	–	490	μA
C _i	Input Capacitance	V _I = V _{CC} or GND	5.5V	–	4	10	–	10	–	10	pF

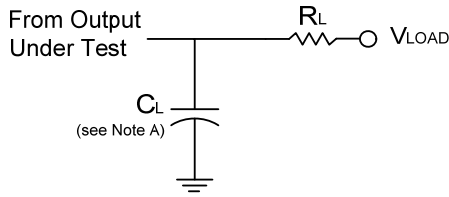
Operating Characteristics (@T_A = +25°C, unless otherwise specified.)

Parameter	Test Conditions	V _{CC} = 5V	Unit
		TYP	
C _{pd}	Power dissipation capacitance f = 1 MHz all outputs switching-no load	42	pF

Switching Characteristics

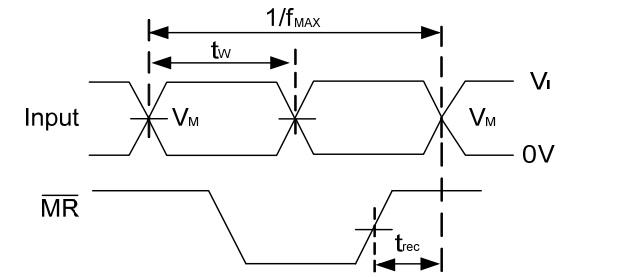
Symbol / Parameter	Pins	Test Conditions	V _{CC}	T _A = +25°C			-40°C to +85°C		-40°C to +125°C		Unit
				Min	Typ.	Max	Min	Max	Min	Max	
f _{MAX} Maximum Frequency	SHCP or STCP	Figure 2	4.5V to 5.5V	30	52	–	24	–	20	–	MHz
t _w Pulse Width	SHCP HIGH or LOW	Figure 2	4.5V to 5.5V	16	6	–	20	–	24	–	ns
	STCP HIGH or LOW	Figure 2	4.5V to 5.5V	16	5	–	20	–	24	–	
	$\overline{\text{MR}}$ LOW	Figure 2	4.5V to 5.5V	20	8	–	25	–	30	–	
t _{SU} Set-up Time	DS to SHCP	Figure 2	4.5V to 5.5V	16	5	–	20	–	24	–	ns
	SHCP to STCP	Figure 2	4.5V to 5.5V	16	8	–	20	–	24	–	ns
t _H Hold Time	DS to SHCP	Figure 2	4.5V to 5.5V	3	-2	–	3	–	3	–	ns
t _{REC} Recovery Time	$\overline{\text{MR}}$ to SHCP	Figure 2	4.5V to 5.5V	10	-7	–	13	–	15	–	ns
t _{PD} Propagation Delay	SHCP to Q7S	Figure 2 C _L =50pF	4.5V to 5.5V	–	25	42	–	53	–	63	ns
	STCP to Qn	Figure 2 C _L =50pF	4.5V to 5.5V	–	24	40	–	50	–	60	ns
	$\overline{\text{MR}}$ to Q7S	Figure 2 C _L =50pF	4.5V to 5.5V	–	23	40	–	50	–	60	ns
t _{EN} Enable Time	$\overline{\text{OE}}$ to Qn	Figure 2 C _L =50pF	4.5V to 5.5V	–	21	35	–	44	–	53	ns
t _{DIS} Disable Time	$\overline{\text{OE}}$ to Qn	Figure 2 C _L =50pF	4.5V to 5.5V	–	18	30	–	38	–	45	ns

Parameter Measurement Information

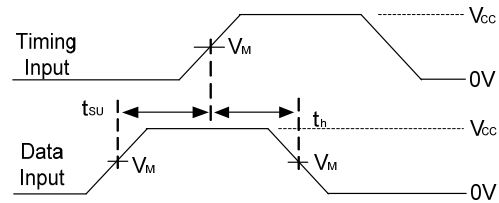


TEST	Vload
t_{PLH}/t_{PHL}	Open
t_{PLZ}/t_{PZL}	V_{CC}
t_{PHZ}/t_{PZH}	GND

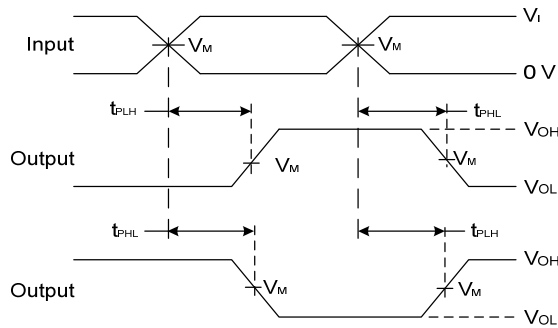
V_{CC}	Inputs		V_M		C_L
	V_i	t_r/t_f	Input	Output	
4.5V to 5.5V	3.0V	3ns	1.5 V	$V_{CC}/2$	15pF, 50pF



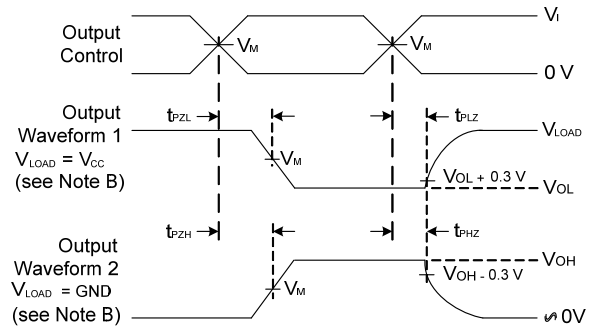
**Voltage Waveform
Pulse Duration and Recovery Time**



**Voltage Waveform
Set-up and Hold Times**



**Voltage Waveform
Propagation Delay Times
Inverting and Non Inverting Outputs**

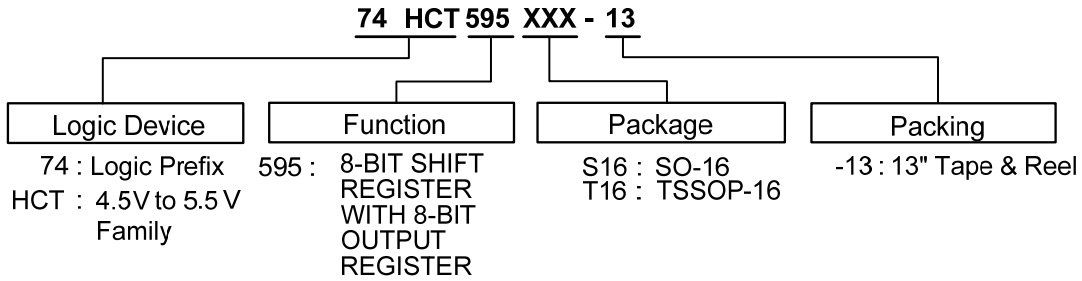


**Voltage Waveform
Enable and Disable Times**

- Notes: A. Includes test lead and test apparatus capacitance.
 B. Output Waveform 1 depends on the internal Q_N node being low and behaves in this manner based on OE pin. Output Waveform 2 depends on the internal Q_N node being high and behaves in this manner based on OE pin.
 C. All pulses are supplied at pulse repetition rate ≤ 10 MHz
 D. Inputs are measured separately one transition per measurement
 E. t_{PLH} and t_{PHL} are the same as t_{PD}

Figure 2. Load Circuit and Voltage Waveforms

Ordering Information

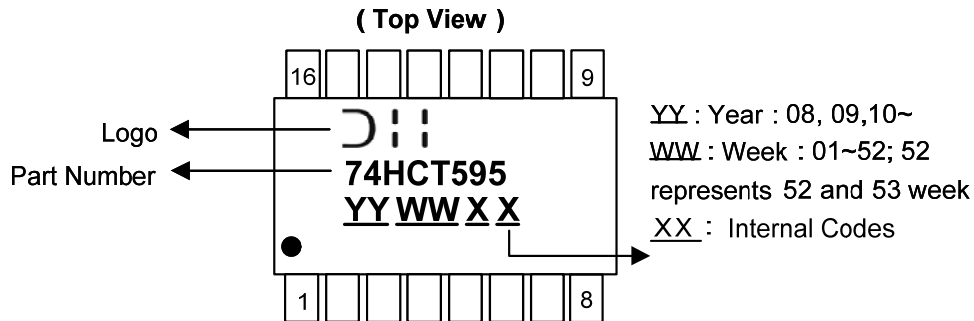


Device	Package Code	Packaging	7" Tape and Reel(Note 6)	
			Quantity	Part Number Suffix
74HCT595S16-13	S16	SO-16	2500/Tape & Reel	-13
74HCT595T16-13	T16	TSSOP-16	2500/Tape & Reel	-13

Notes: 6. . The taping orientation is located on our website at <http://www.diodes.com/datasheets/ap02007.pdf>

Marking Information

(1) SO-16, TSSOP-16

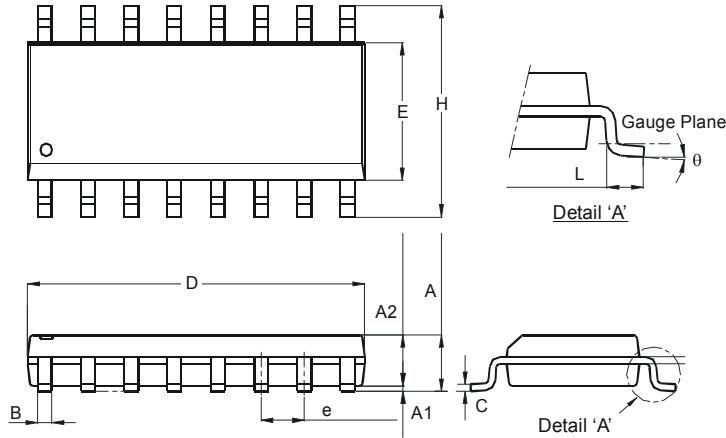


Part Number	Package
74HCT595S16	SO-16
74HCT595T16	TSSOP-16

Package Outline Dimensions (All Dimensions in mm)

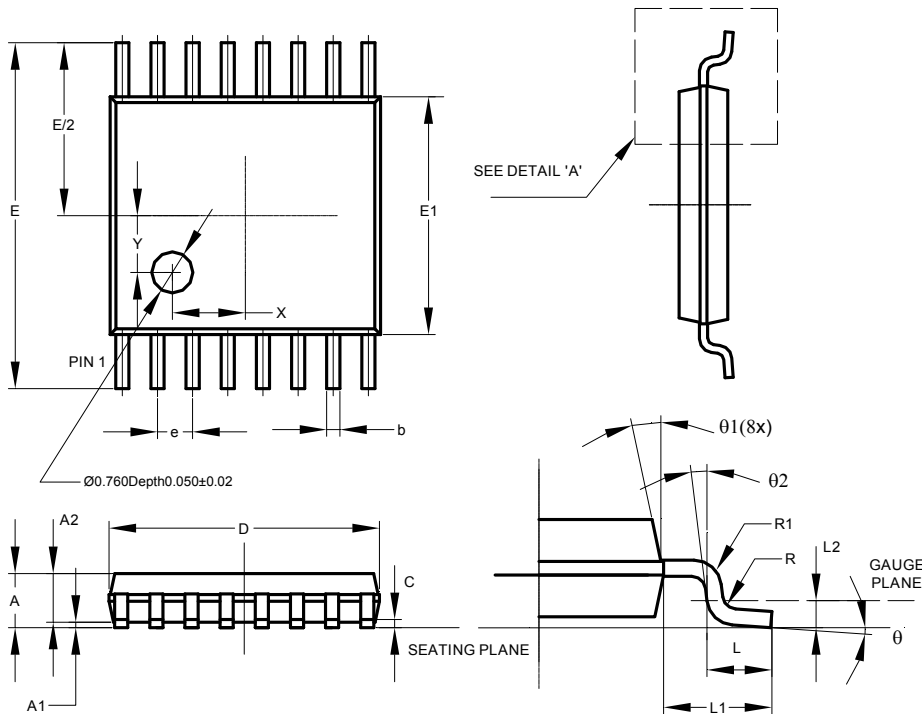
Please see AP02002 at <http://www.diodes.com/datasheets/ap02002.pdf> for latest version.

(1) Package Type: SO-16



SO-16		
Dim	Min	Max
A	1.40	1.75
A1	0.10	0.25
A2	1.30	1.50
B	0.33	0.51
C	0.19	0.25
D	9.80	10.00
E	3.80	4.00
e	1.27 Typ	
H	5.80	6.20
L	0.38	1.27
θ	0°	8°
All Dimensions in mm		

(2) Package Type: TSSOP-16

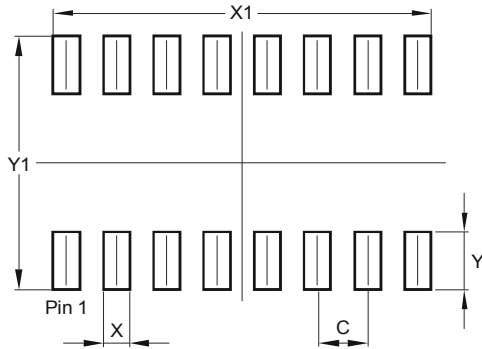


TSSOP-16			
Dim	Min	Max	Typ
A	-	1.08	-
A1	0.05	0.15	-
A2	0.80	0.93	-
b	0.19	0.30	-
c	0.09	0.20	-
D	4.90	5.10	-
E	6.40 BSC		
E1	4.30	4.50	-
e	0.65 BSC		
L	0.45	0.75	-
L1	1.00 REF		
L2	0.25 BSC		
R	0.09	-	-
R1	0.09	-	-
X	-	-	1.350
Y	-	-	1.050
θ	0°	8°	-
θ_1	5°	15°	-
θ_2	0°	-	-
All Dimensions in mm			

Suggested Pad Layout

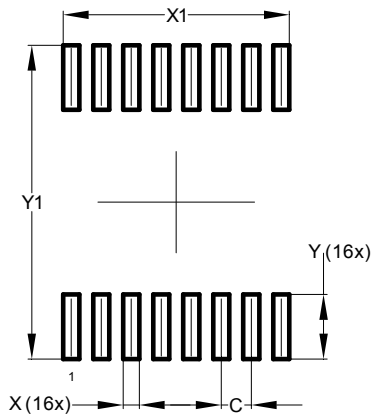
Please see AP02001 at <http://www.diodes.com/datasheets/ap02001.pdf> for the latest version.

Package Type: SO-16



Dimensions	Value (in mm)
C	1.270
X	0.670
X1	9.560
Y	1.450
Y1	6.400

Package Type: TSSOP-16



Dimensions	Value (in mm)
C	0.650
X	0.350
X1	4.900
Y	1.400
Y1	6.800

IMPORTANT NOTICE

DIODES INCORPORATED MAKES NO WARRANTY OF ANY KIND, EXPRESS OR IMPLIED, WITH REGARDS TO THIS DOCUMENT, INCLUDING, BUT NOT LIMITED TO, THE IMPLIED WARRANTIES OF MERCHANTABILITY AND FITNESS FOR A PARTICULAR PURPOSE (AND THEIR EQUIVALENTS UNDER THE LAWS OF ANY JURISDICTION).

Diodes Incorporated and its subsidiaries reserve the right to make modifications, enhancements, improvements, corrections or other changes without further notice to this document and any product described herein. Diodes Incorporated does not assume any liability arising out of the application or use of this document or any product described herein; neither does Diodes Incorporated convey any license under its patent or trademark rights, nor the rights of others. Any Customer or user of this document or products described herein in such applications shall assume all risks of such use and will agree to hold Diodes Incorporated and all the companies whose products are represented on Diodes Incorporated website, harmless against all damages.

Diodes Incorporated does not warrant or accept any liability whatsoever in respect of any products purchased through unauthorized sales channel.

Should Customers purchase or use Diodes Incorporated products for any unintended or unauthorized application, Customers shall indemnify and hold Diodes Incorporated and its representatives harmless against all claims, damages, expenses, and attorney fees arising out of, directly or indirectly, any claim of personal injury or death associated with such unintended or unauthorized application.

Products described herein may be covered by one or more United States, international or foreign patents pending. Product names and markings noted herein may also be covered by one or more United States, international or foreign trademarks.

This document is written in English but may be translated into multiple languages for reference. Only the English version of this document is the final and determinative format released by Diodes Incorporated.

LIFE SUPPORT

Diodes Incorporated products are specifically not authorized for use as critical components in life support devices or systems without the express written approval of the Chief Executive Officer of Diodes Incorporated. As used herein:

A. Life support devices or systems are devices or systems which:

1. are intended to implant into the body, or
2. support or sustain life and whose failure to perform when properly used in accordance with instructions for use provided in the labeling can be reasonably expected to result in significant injury to the user.

B. A critical component is any component in a life support device or system whose failure to perform can be reasonably expected to cause the failure of the life support device or to affect its safety or effectiveness.

Customers represent that they have all necessary expertise in the safety and regulatory ramifications of their life support devices or systems, and acknowledge and agree that they are solely responsible for all legal, regulatory and safety-related requirements concerning their products and any use of Diodes Incorporated products in such safety-critical, life support devices or systems, notwithstanding any devices- or systems-related information or support that may be provided by Diodes Incorporated. Further, Customers must fully indemnify Diodes Incorporated and its representatives against any damages arising out of the use of Diodes Incorporated products in such safety-critical, life support devices or systems.

Copyright © 2013, Diodes Incorporated

www.diodes.com

Компания «Океан Электроники» предлагает заключение долгосрочных отношений при поставках импортных электронных компонентов на взаимовыгодных условиях!

Наши преимущества:

- Поставка оригинальных импортных электронных компонентов напрямую с производств Америки, Европы и Азии, а так же с крупнейших складов мира;
- Широкая линейка поставок активных и пассивных импортных электронных компонентов (более 30 млн. наименований);
- Поставка сложных, дефицитных, либо снятых с производства позиций;
- Оперативные сроки поставки под заказ (от 5 рабочих дней);
- Экспресс доставка в любую точку России;
- Помощь Конструкторского Отдела и консультации квалифицированных инженеров;
- Техническая поддержка проекта, помощь в подборе аналогов, поставка прототипов;
- Поставка электронных компонентов под контролем ВП;
- Система менеджмента качества сертифицирована по Международному стандарту ISO 9001;
- При необходимости вся продукция военного и аэрокосмического назначения проходит испытания и сертификацию в лаборатории (по согласованию с заказчиком);
- Поставка специализированных компонентов военного и аэрокосмического уровня качества (Xilinx, Altera, Analog Devices, Intersil, Interpoint, Microsemi, Actel, Aeroflex, Peregrine, VPT, Syfer, Eurofarad, Texas Instruments, MS Kennedy, Miteq, Cobham, E2V, MA-COM, Hittite, Mini-Circuits, General Dynamics и др.);

Компания «Океан Электроники» является официальным дистрибьютором и эксклюзивным представителем в России одного из крупнейших производителей разъемов военного и аэрокосмического назначения «JONHON», а так же официальным дистрибьютором и эксклюзивным представителем в России производителя высокотехнологичных и надежных решений для передачи СВЧ сигналов «FORSTAR».



JONHON

«JONHON» (основан в 1970 г.)

Разъемы специального, военного и аэрокосмического назначения:

(Применяются в военной, авиационной, аэрокосмической, морской, железнодорожной, горно- и нефтедобывающей отраслях промышленности)

«FORSTAR» (основан в 1998 г.)

ВЧ соединители, коаксиальные кабели,
кабельные сборки и микроволновые компоненты:

(Применяются в телекоммуникациях гражданского и специального назначения, в средствах связи, РЛС, а так же военной, авиационной и аэрокосмической отраслях промышленности).



Телефон: 8 (812) 309-75-97 (многоканальный)

Факс: 8 (812) 320-03-32

Электронная почта: ocean@oceanchips.ru

Web: <http://oceanchips.ru/>

Адрес: 198099, г. Санкт-Петербург, ул. Калинина, д. 2, корп. 4, лит. А