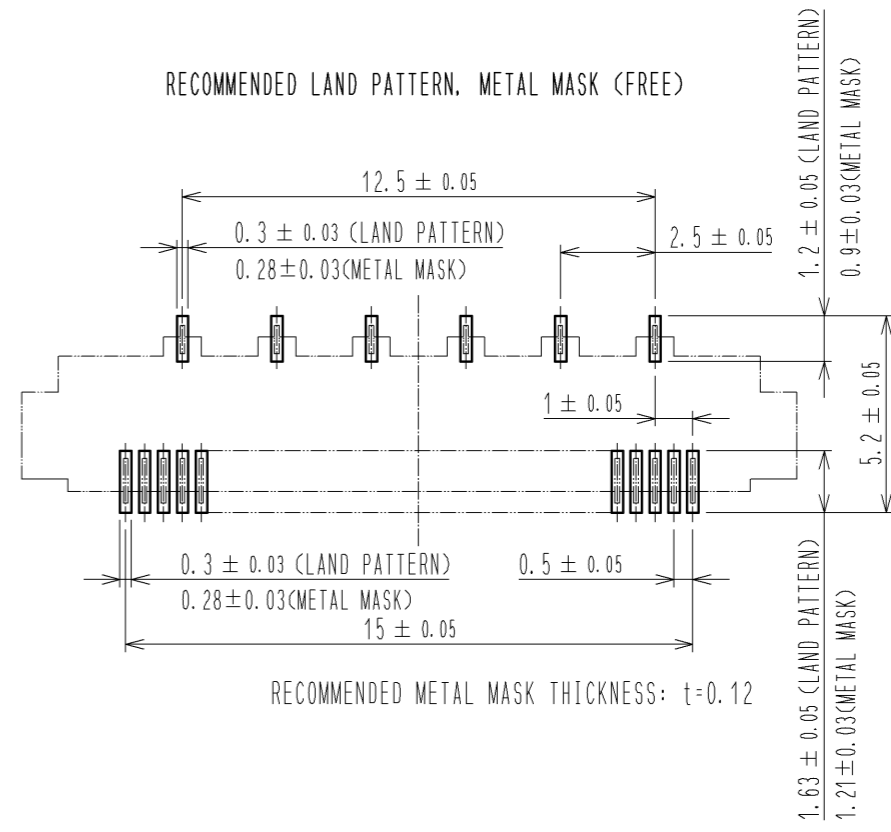
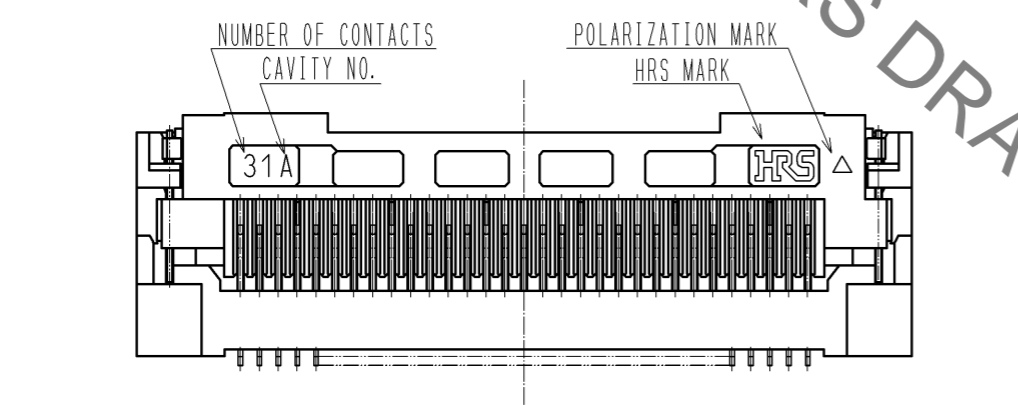
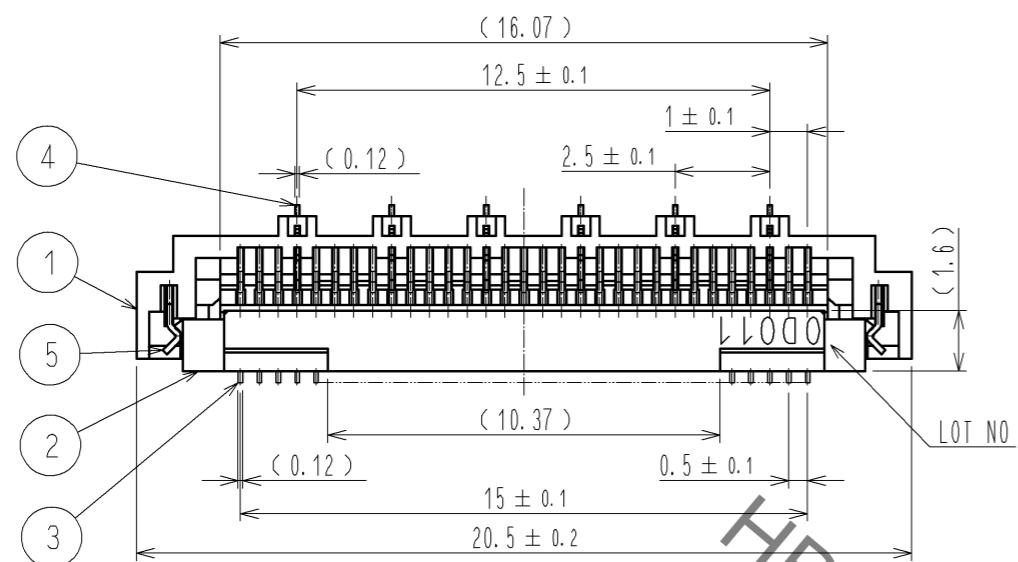
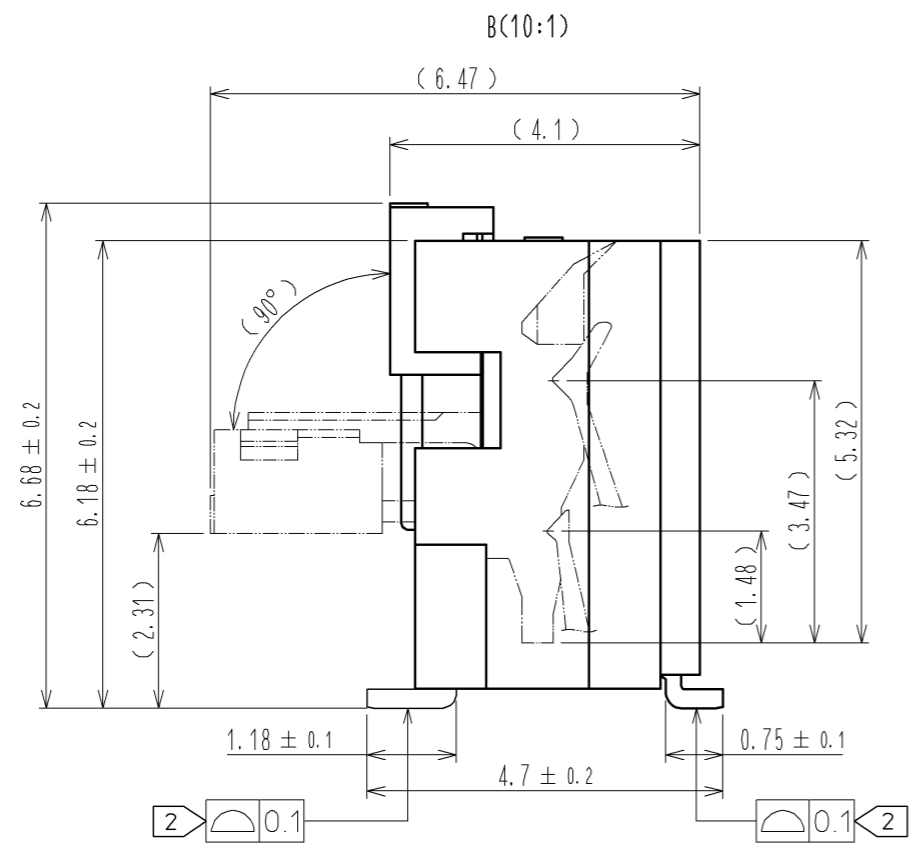


Jul.1.2019 Copyright 2019 HIROSE ELECTRIC CO., LTD. All Rights Reserved.  
 In case of consideration for using Automotive equipment / device which demand high reliability, kindly contact our sales window correspondents.



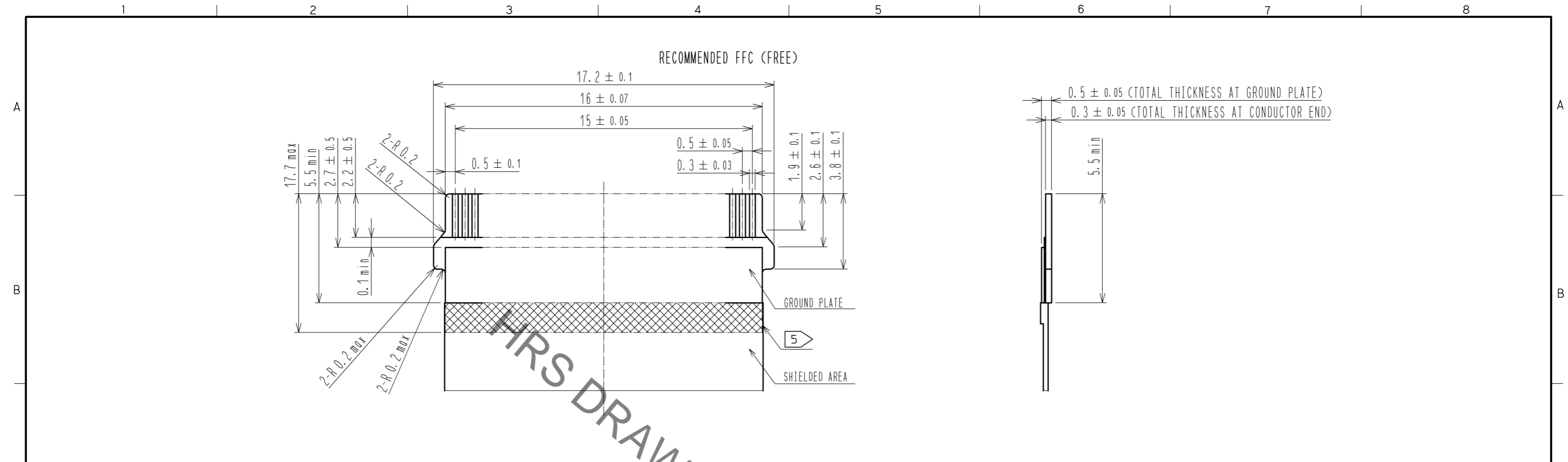
- NOTES
- 1 THE DIMENSIONS IN PARENTHESES ARE REFERENCE.
  - 2 LEAD CO-PLANARITY SHALL BE 0.1 MAX.
  - 3 TO BE DELIVERED WITH TAPE AND REEL PACKAGES.
  - 4 THIS PRODUCT SATISFIES HALOGEN FREE REQUIREMENTS DEFINED AS 900 ppm MAXIMUM CHLORINE, 900 ppm MAXIMUM BROMINE, AND 1.500 ppm MAXIMUM TOTAL OF CHLORINE AND BROMINE



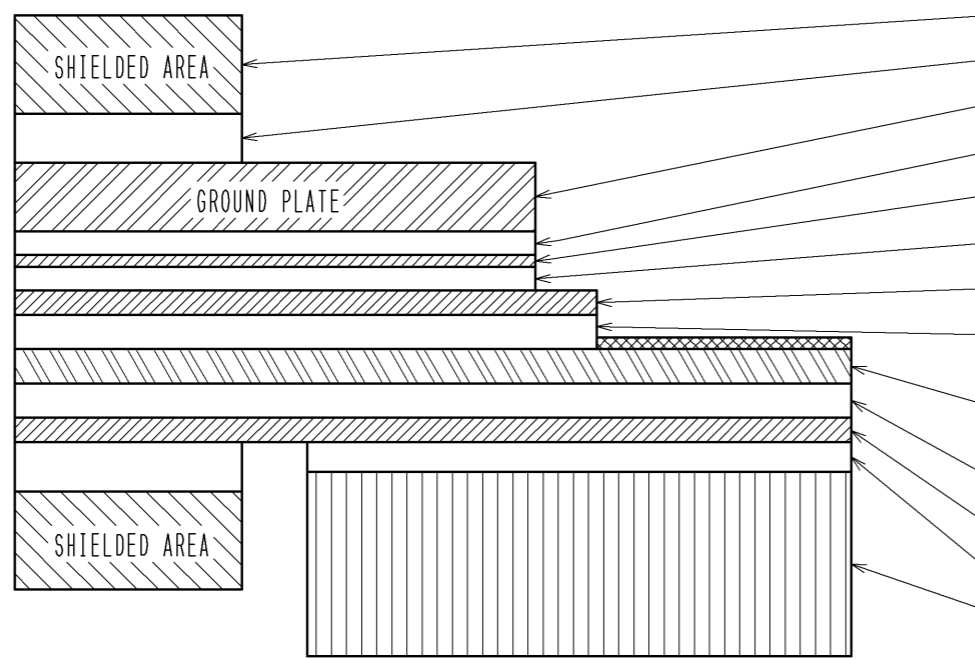
4	PHOSPHOR BRONZE	TIN PLATING(REFLOW FINISHED) 1 μm MIN AND COPPER(INTERLAYER) 0.15 μm MIN OVER NICKEL 1 μm MIN						
3	PHOSPHOR BRONZE	CONTACT AREA, LEAD: GOLD PLATING 0.03 μm MIN OVER NICKEL 1 μm MIN OTHER: NICKEL 1 μm MIN	9	(CONNECTOR)				
2	LCP	BLACK, UL94V-0	8	POLYSTYRENE				
1	LCP	GRAY, UL94V-0	7	POLYESTER				
			6	POLYSTYRENE				
			5	PHOSPHOR BRONZE (PLATED MATERIAL)	NICKEL PLATING 0.2 μm MIN			
NO.	MATERIAL	FINISH . REMARKS	NO.	MATERIAL	FINISH . REMARKS			
UNITS mm		SCALE 5 : 1	COUNT 3	DESCRIPTION OF REVISIONS DIS-F-006206		DESIGNED HK. KINOUCHI	CHECKED YN. TAKASHITA	DATE 12.07.11
<b>HRS</b> HIROSE ELECTRIC CO., LTD.		APPROVED : MO. ISHIDA	10.11.05	DRAWING NO. EDC3-330808-00				
		CHECKED : YN. TAKASHITA	10.11.05	PART NO. FH48-31S-0.5SV				
		DESIGNED : SJ. OKAMURA	10.11.05	CODE NO. CL580-3102-6-00				
		DRAWN : SJ. OKAMURA	10.11.05					

HRS DRAWING FOR REFERENCE

Jul.1.2019 Copyright 2019 HIROSE ELECTRIC CO., LTD. All Rights Reserved.  
 In case of consideration for using Automotive equipment / device which demand high reliability, kindly contact our sales window correspondents.



FFC CONSTRUCTION (RECOMMENDED SPECIFICATIONS)

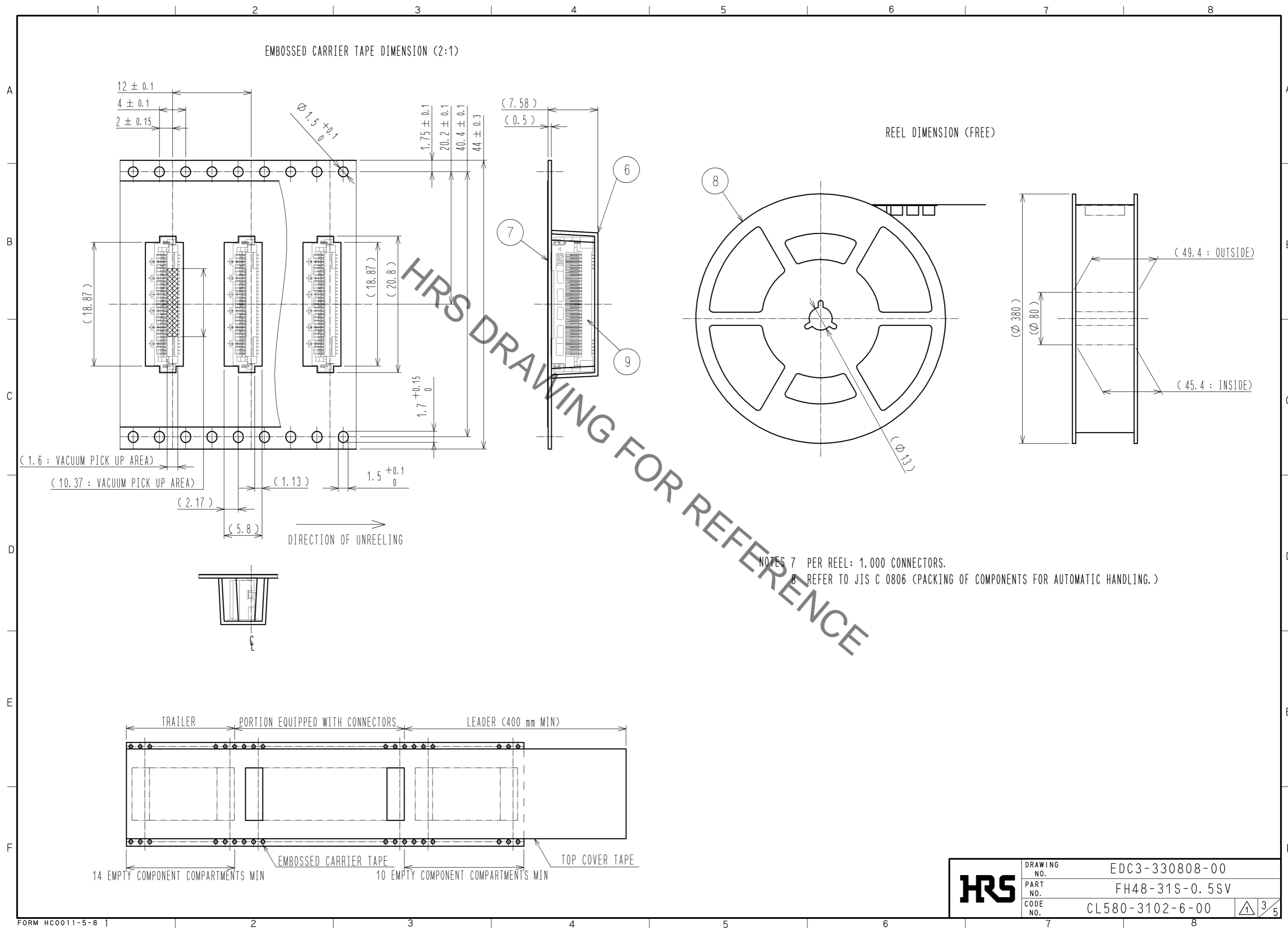


MATERIAL NAME	MATERIAL	TOTAL THICKNESS AT GROUND PLATE (μm)	TOTAL THICKNESS AT CONDUCTOR END (μm)
SHIELDING MATERIAL			
CONDUCTIVE ADHESIVE	POLYESTER TYPE		
COPPER FILM (TIN PLATED)		70	6
ADHESIVE	ACRYLIC TYPE	24	6
BASE MATERIAL	POLYESTER TYPE	12	6
ADHESIVE	ACRYLIC TYPE	24	6
INSULATED LAYER	POLYESTER TYPE	25	
ADHESIVE	POLYESTER TYPE	35	
SOFT COPPER FILM (NICKEL UNDER PLATED / GOLD PLATED)		35	35
ADHESIVE	POLYESTER TYPE	35	35
INSULATED LAYER	POLYESTER TYPE	25	25
ADHESIVE	POLYESTER TYPE	30	30
STIFFENER	POLYESTER TYPE	188	188
TOTAL		503	313

NOTES 5 PLEASE OVERLAP SHIELD AREA ON GROUND PLATE.  
 6 PLEASE INQUIRE OF HIROSE WHEN YOU WANT TO CHANGE THE SPECIFICATION AND THE THICKNESS COMPOSITION IN THIS PART.

<b>HRS</b>	DRAWING NO.	EDC3-330808-00
	PART NO.	FH48-31S-0.5SV
	CODE NO.	CL580-3102-6-00

Jul.1.2019 Copyright 2019 HIROSE ELECTRIC CO., LTD. All Rights Reserved.  
 In case of consideration for using Automotive equipment / device which demand high reliability, kindly contact our sales window correspondents.



<b>HRS</b>	DRAWING NO.	EDC3-330808-00
	PART NO.	FH48-31S-0.5SV
	CODE NO.	CL580-3102-6-00
		3/5

Jul.1.2019 Copyright 2019 HIROSE ELECTRIC CO., LTD. All Rights Reserved.  
 In case of consideration for using Automotive equipment / device which demand high reliability, kindly contact our sales window correspondents.

This connector requires delicate and careful handling.  
 Read through the instructions shown below and handle the connector properly.  
 Each values indicating here are for reference and may differ from standard value.

**【 INSTRUCTIONS FOR MOUNTING ON THE BOARD 】**

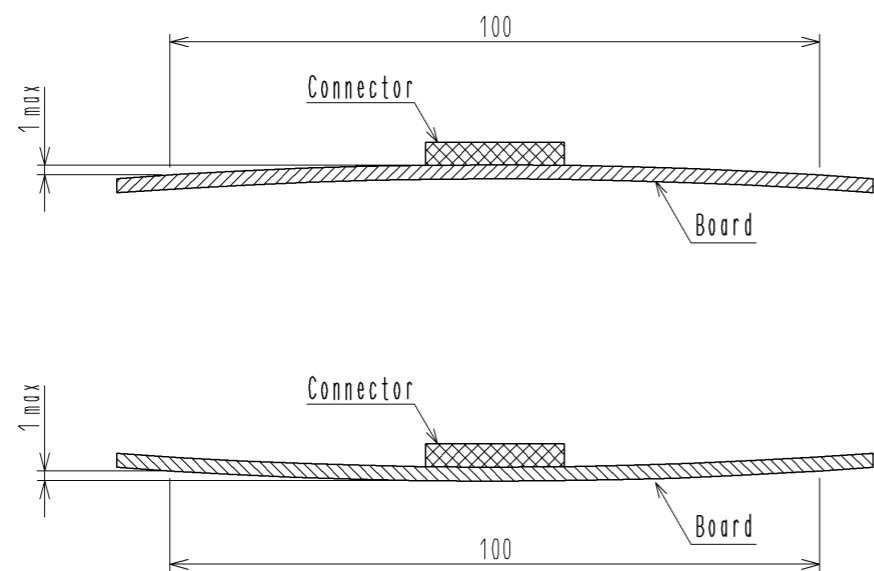
**◆Warp of Board**  
 Minimize warp of the board as much as possible.  
 Lead co-planarity is 0.1 mm or less.  
 Too much warp of the board may result in a soldering failure.

**⚠ ◆Load to Connector**  
 Do not add 1N or greater external force when unreel or pick and place the connector etc.  
 or it may get broken.  
 In addition, do not insert the FPC or operate the connector before mounting it.

**⚠ 【 INSTRUCTIONS FOR PCB HANDLING AFTER MOUNTING THE CONNECTOR 】**

**◆Load to Board**  
 - Splitting a large board into several pieces  
 - Screwing the board  
 Avoid the handling described above so that no force is exerted on the board during the assembly process.  
 Otherwise, the connector may become defective.

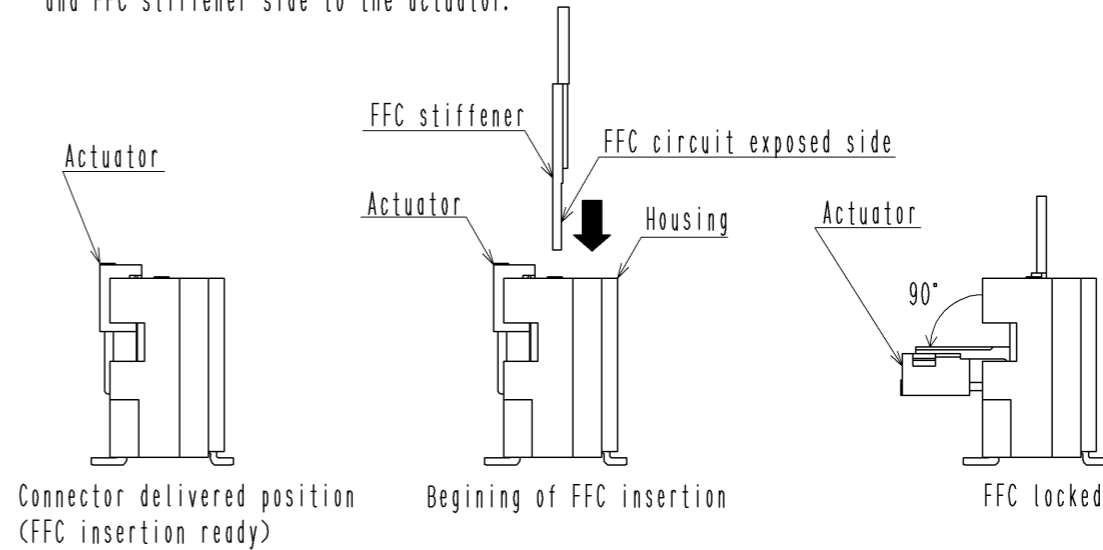
**◆Amount of Warp**  
 The warp of a 100 mm wide board should be 1 mm or less.  
 The warp of board suffers stress on connector and the connector may become defective.



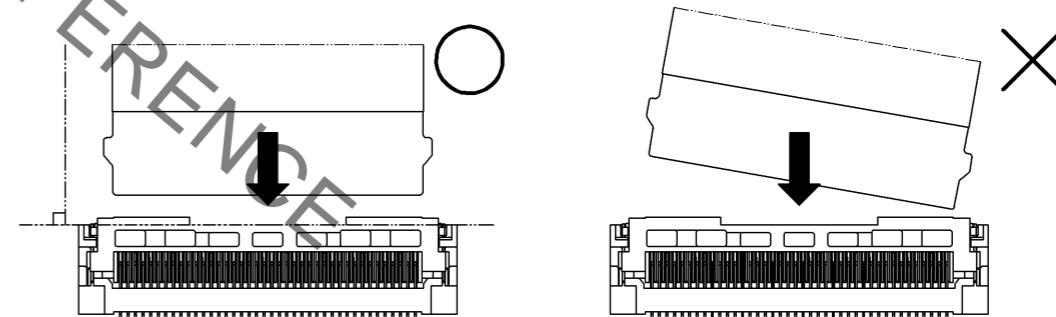
**【 INSTRUCTIONS ON INSERTING FFC AND CONNECTION 】**

**◆Actuator position**  
 Actuator position as delivered is ready for FFC insertion.  
 FFC locked position is that the FFC is inserted and the actuator is rotated by 90° .  
 Do not rotate the actuator before FFC is inserted.

**◆Direction of contacts**  
 Insert the FFC in a way that the FFC circuit exposed side faces to the housing,  
 and FFC stiffener side to the actuator.



**◆Inserting the FFC**  
 Insert the FFC at a right angle to the connector and properly to the very end.



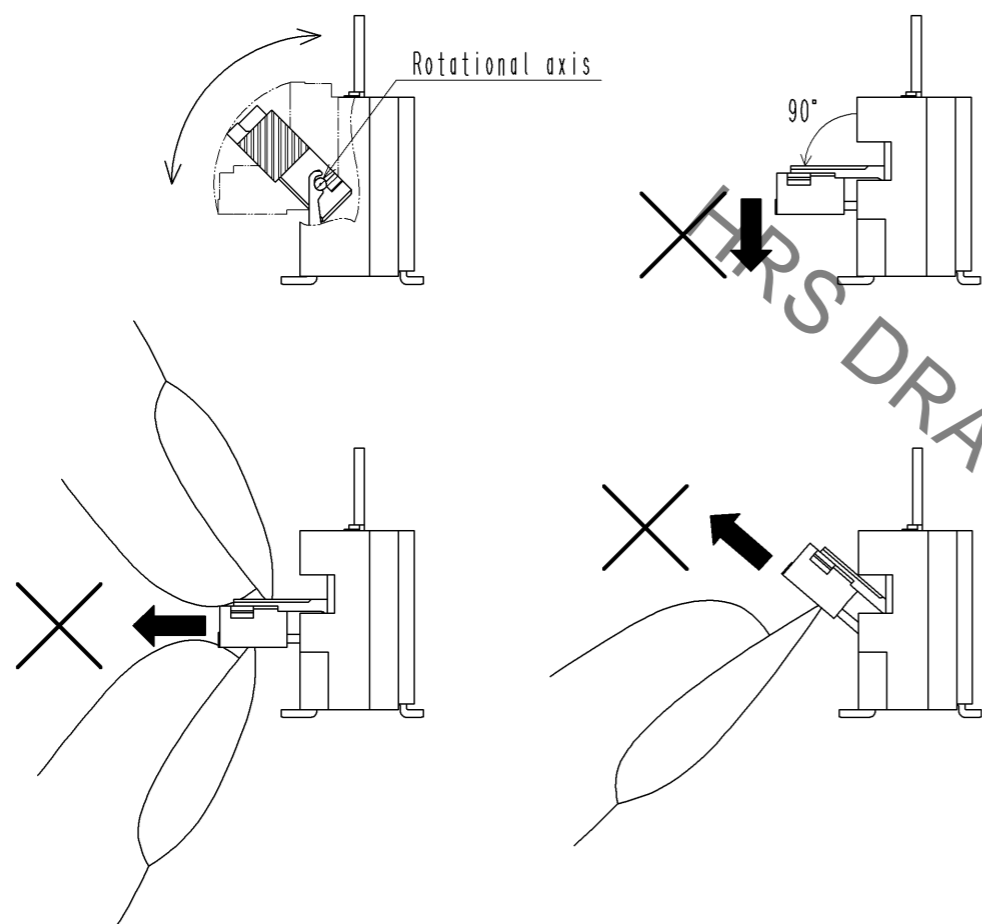
< INSTRUCTION MANUAL (1) >

<b>HRS</b>	DRAWING NO.	EDC3-330808-00
	PART NO.	FH48-31S-0.5SV
	CODE NO.	CL580-3102-6-00

Jul.1.2019 Copyright 2019 HIROSE ELECTRIC CO., LTD. All Rights Reserved.  
In case of consideration for using Automotive equipment / device which demand high reliability, kindly contact our sales window correspondents.

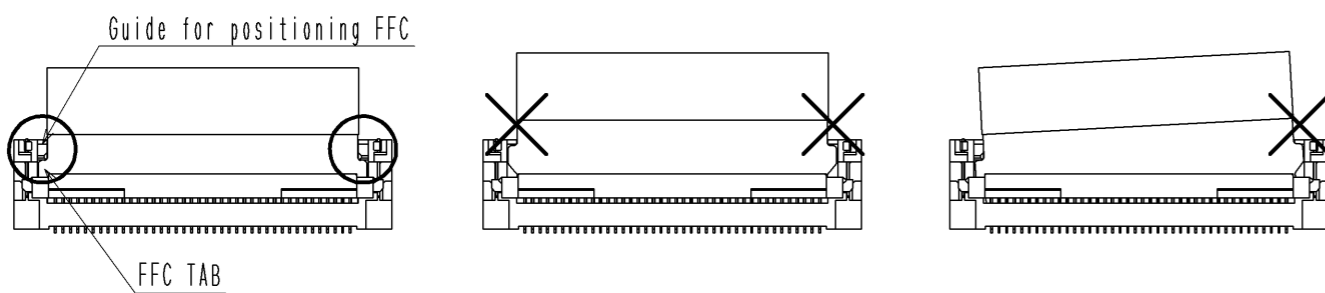
◆Use of the actuator

1. The actuator rotates around the rotational axis as shown below. Rotate the actuator.
2. The actuator will not open more than 90°. Do not apply any force backward beyond this point. It may cause contact deformation and actuator breakage.
3. Do not pinch or pick the actuator to lift it as shown below. Otherwise, it may break. (Do not carry out any operation other than rotating the actuator as shown above.)



◆Checking the Locking Condition

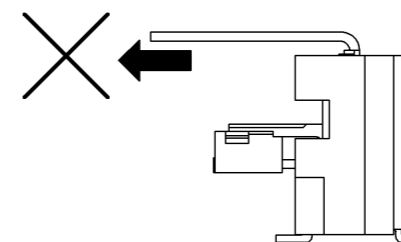
1. In the locked condition, make sure that the actuator is horizontal on the board surface.
2. After FFC is locked, make sure the position of TAB and guides.



【 INSTRUCTION ON FFC LAYOUT CONNECTION 】

◆Load to FFC

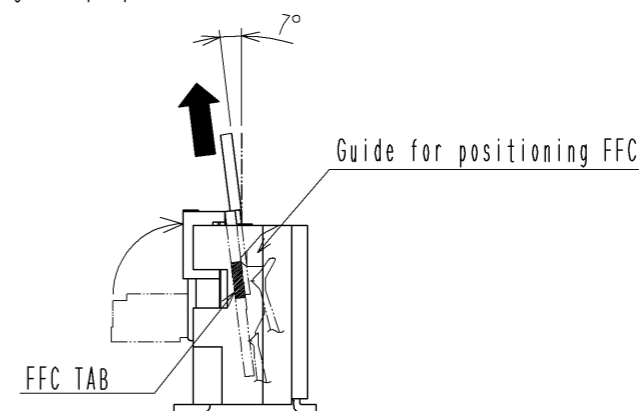
Be very careful not to apply force to the connector directly after inserting FFC. Otherwise, the connector or the FFC may break. In particular, design the FFC layout with care not to bend it sharply in a direction of the actuator side near the insertion operating.



Load:  $0.05 \times n$  N max (n: number of contacts)

【 INSTRUCTIONS ON REMOVING FFC 】

◆For FFC removal, remove the FFC after unlocking the actuator. Remove the FFC by about 7 degrees perpendicular to PCB.



【 OTHER INSTRUCTIONS 】

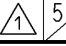
◆Instructions on Manual Soldering

Follow the instructions shown below when soldering the connector manually during repair work, etc.

1. Do not perform reflow soldering or manual soldering with the FFC inserted into the connector.
2. Do not heat the connector excessively. Be very careful not to let the soldering iron contact any parts other than connector leads. Otherwise, the connector may be deformed or melt.
3. Do not use excessive solder (or flux).

If excessive solder (or flux) is used on the terminals, solder or flux may adhere to the contacts or rotating parts of the actuator, resulting in poor contact or a rotation failure of the actuator.

< INSTRUCTION MANUAL (2) >

<b>HRS</b>	DRAWING NO.	EDC3-330808-00	 5/5
	PART NO.	FH48-31S-0.5SV	
	CODE NO.	CL580-3102-6-00	

Компания «Океан Электроники» предлагает заключение долгосрочных отношений при поставках импортных электронных компонентов на взаимовыгодных условиях!

Наши преимущества:

- Поставка оригинальных импортных электронных компонентов напрямую с производств Америки, Европы и Азии, а так же с крупнейших складов мира;
- Широкая линейка поставок активных и пассивных импортных электронных компонентов (более 30 млн. наименований);
- Поставка сложных, дефицитных, либо снятых с производства позиций;
- Оперативные сроки поставки под заказ (от 5 рабочих дней);
- Экспресс доставка в любую точку России;
- Помощь Конструкторского Отдела и консультации квалифицированных инженеров;
- Техническая поддержка проекта, помощь в подборе аналогов, поставка прототипов;
- Поставка электронных компонентов под контролем ВП;
- Система менеджмента качества сертифицирована по Международному стандарту ISO 9001;
- При необходимости вся продукция военного и аэрокосмического назначения проходит испытания и сертификацию в лаборатории (по согласованию с заказчиком);
- Поставка специализированных компонентов военного и аэрокосмического уровня качества (Xilinx, Altera, Analog Devices, Intersil, Interpoint, Microsemi, Actel, Aeroflex, Peregrine, VPT, Syfer, Eurofarad, Texas Instruments, MS Kennedy, Miteq, Cobham, E2V, MA-COM, Hittite, Mini-Circuits, General Dynamics и др.);

Компания «Океан Электроники» является официальным дистрибьютором и эксклюзивным представителем в России одного из крупнейших производителей разъемов военного и аэрокосмического назначения «JONHON», а так же официальным дистрибьютором и эксклюзивным представителем в России производителя высокотехнологичных и надежных решений для передачи СВЧ сигналов «FORSTAR».



## JONHON

«JONHON» (основан в 1970 г.)

Разъемы специального, военного и аэрокосмического назначения:

(Применяются в военной, авиационной, аэрокосмической, морской, железнодорожной, горно- и нефтедобывающей отраслях промышленности)

«FORSTAR» (основан в 1998 г.)

ВЧ соединители, коаксиальные кабели, кабельные сборки и микроволновые компоненты:

(Применяются в телекоммуникациях гражданского и специального назначения, в средствах связи, РЛС, а так же военной, авиационной и аэрокосмической отраслях промышленности).



Телефон: 8 (812) 309-75-97 (многоканальный)

Факс: 8 (812) 320-03-32

Электронная почта: [ocean@oceanchips.ru](mailto:ocean@oceanchips.ru)

Web: <http://oceanchips.ru/>

Адрес: 198099, г. Санкт-Петербург, ул. Калинина, д. 2, корп. 4, лит. А