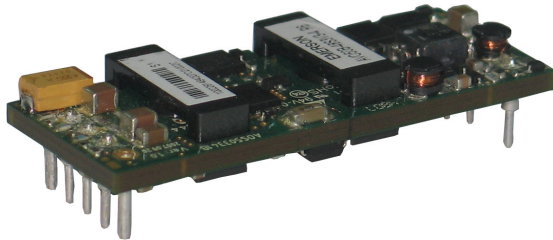


AVO50B-48S3V3 Isolated DC/DC Converter Technical Reference Notes

Industry standard eighth brick: 36 ~ 75V input, 3.3V single output



Industry standard eighth brick : 2.28" × 0.9" × 0.34"

Features

- Up to 15A output current
- Industry standard eighth brick foot print
57.9mm × 22.9mm × 8.5mm
(2.28" × 0.9" × 0.34")
- Basic isolation
- Ultra high efficiency to 91.5%
- High power density
- Low output noise
- Industry standard pinout
- 2:1 wide input voltage of 36 ~ 75V
- CNT function
- Remote sense
- Trim function: +10%/-20%
- Input under-voltage lockout
- Output over-current protection (hiccup)
- Output over-voltage protection (hiccup)
- Over-temperature protection
- RoHS compliant

Options

- Choice of positive logic or negative logic for CNT function
- Choice of short pins or long pins

Description

AVO50B-48S3V3 is a new open frame DC/DC converter for optimum efficiency and power density. AVO50B-48S3V3 provides up to 15A output current in an industry standard eighth brick, which makes it an ideal choice for small space, high current and low voltage applications. AVO50B-48S3V3 uses an industry standard eighth brick: 57.9mm × 22.9mm × 8.5mm (2.28" × 0.9" × 0.34") and standard pin configuration. It includes extensive control and protection features for maximum flexibility and provides a versatile solution for a whole range of applications with its input voltage range of 36~75Vdc and it can provide 3.3V@15A single output that are isolated from inputs. The converter can achieve ultra high efficiencies and excellent thermal performance, for most applications a heatsink is not required. The product features fast dynamic response characteristics and low output ripple. This high quality and highly reliable product is competitively priced and an ideal solution for distributed power, telecoms and datacom applications.

Ordering Information

AVO50	-	48	S	3V3	P	-	4	L	S
①		②	③	④	⑤		⑥	⑦	⑧

①	Model series	AVO: high efficiency 1/8 brick series, 50: output power 50W
②	Input voltage	48: 36V ~ 75V input range, rated input voltage 48V
③	Output number	S: single output
④	Rated output voltage	3V3: 3.3V output
⑤	Remote ON/OFF logic	Default: negative; P: positive logic
⑥	Pin length	-4: 4.8mm
⑦	RoHS status	L: RoHS, R6; Y: RoHS, R5
⑧	Structure	Default: SMT

Note:

The following is based on positive logic modules. Negative logic modules are the same with positive ones except for their pin logic.

Electrical Specifications

Unless otherwise indicated, specifications apply over all operating input voltage and temperature conditions. Standard test condition on a single unit is as follows:

Tc (board): 25°C
 Airflow: 200 LFM
 +Vin: 48V±2%
 -Vin: Return pin for +Vin
 CNT: Connect to -Vin for negative logic
 Open for positive logic
 +Vout: Connect to load
 -Vout: Connect to load (return)
 +Sense: Connect to +Vout
 -Sense: Connect to -Vout
 Trim (Vadj): Open

Input Specifications

Parameter	Device	Symbol	Min	Typ	Max	Unit
Operating input voltage	3.3V	VI	36	48	75	Vdc
Maximum input current (VI = 0 to VI,max, Io = Io,max)	3.3V	II,max	-	-	2.5	A
Input reflected-ripple current (rated input and output)	3.3V	II	-	-	20	mAp-p
Supply voltage rejection (120Hz)	3.3V	-	50	60	-	dB

CAUTION: This power module is not internally fused. An input line fuse must always be used.

Absolute Maximum Ratings

Stresses in excess of the absolute maximum ratings can cause permanent damage to the device. These are absolute stress ratings only. Functional operation of the device is not implied at these or any other conditions in excess of those given in the operational sections of the IPS. Exposure to absolute maximum ratings for extended periods can adversely affect device reliability.

Parameter		Device	Symbol	Min	Typ	Max	Unit
Input voltage	Continuous	3.3V	VI	0	-	80	Vdc
	Transient (100ms)	3.3V	VI, trans	0	-	100	Vdc
Operating ambient temperature (See <i>Thermal Consideration</i>)		3.3V	Ta	-40	-	85	°C
Operating board temperature		3.3V	Tc	-40	-	110	°C
Storage temperature		3.3V	TSTG	-55	-	125	°C
Operating humidity		3.3V	-	5	-	95	RH%
Basic input-output isolation (conditions: 1mA for 1min, slew rate of 1,500V/10sec)		3.3V	-	-	-	2,000	Vdc
Output power		3.3V	Po,max	0	-	49.5	W

Output Specifications

All specifications are typical at normal input $V_{in}=48V_{dc}$, rated output current at $25^{\circ}C$ ambient unless otherwise specified.

Parameter		Device	Symbol	Min	Typ	Max	Unit
Output ripple and noise peak-to-peak (5Hz to 20MHz) (high frequency low ESR external capacitor required for each output, see Figure 21)		3.3V	-	-	50	-	mVp-p (f<20MHz)
External load capacitance		3.3V	-	220	470	10,000	μF
Output voltage setpoint ($V_I = V_{I,min}$ to $V_{I,max}$; $I_o = I_{o,max}$; $T_a = 25^{\circ}C$)		3.3V	$V_{o,set}$	3.25	3.3	3.35	Vdc
Output regulation	Line ($V_{I,min}$ to $V_{I,max}$)	3.3V	-	-	1	-	mV
	Load ($I_{o,min}$ to $I_{o,max}$)	3.3V	-	-	1	-	mV
	Temperature (whole range)	3.3V	-	-	-	0.02	$\%V_o/^{\circ}C$
Rated output current		3.3V	I_o	0	-	15	A
Output current-limit inception (hiccup)		3.3V	I_o	16.5	-	21	A
Over temperature protection (auto-recovery)	Thermal measurement spot	3.3V	-	-	120	-	$^{\circ}C$
	Hysteresis	3.3V	-	5	-	-	$^{\circ}C$
Efficiency ($V_I = V_{I,nom}$; $I_{o,max}$; $T_A = 25^{\circ}C$)		3.3V	-	-	91.5	-	%

Output Specifications (Cont)

Parameter		Device	Symbol	Min	Typ	Max	Unit
Dynamic response: ($\Delta I_o/\Delta t = 1A/10\mu s$; $V_I = V_{I,nom}$; $T_A = 25^\circ C$;))	25% I_{nom} step from 50% I_{nom}	3.3V	-	-	60	-	mV
	Deviation settling time	3.3V	-	-	50	-	μsec
Dynamic response: ($\Delta I_o/\Delta t = 1A/1\mu s$; $V_I = V_{I,nom}$; $T_A = 25^\circ C$;))	25% I_{nom} step from 50% I_{nom}	3.3V	-	-	110	-	mV
	Deviation settling time	3.3V	-	-	100	-	μsec
Turn-on time ($I_o = I_{o,max}$)		3.3V	-	-	5	-	msec
Output voltage overshoot ($I_o = I_{o,max}$; $T_A = 25^\circ C$)		3.3V	-	-	0	-	% V_o
Switching frequency		3.3V	-	-	310	-	kHz

Feature Specifications

Parameter		Device	Symbol	Min	Typ	Max	Unit
Enable pin voltage	Logic low	3.3V		-0.7	-	1.2	V
	Logic high*	3.3V	-	3.5	-	12	V
Enable pin current	Logic low	3.3V	-	-	0.4	-	mA
	Logic high (leakage current, @10v)	3.3V	-	-	-	-	μA
Output voltage trim range		3.3V	-	80	-	110	%Vo
Output over-voltage (hiccup)		3.3V	Vohiccup	3.9	-	5.0	V
Under-voltage lockout	Turn-on point	3.3V	-	31	34	36	V
	Turn-off point	3.3V	-	30	33	35	V
Isolation capacitance		3.3V	-	-	1500	-	PF
Isolation resistance		3.3V	-	10	-	-	MΩ
Calculated MTBF (Vin: 48V, load: ionom, board@25°C)		3.3V	-	-	2.5	-	Million hours
Weight (open frame)		3.3V	-	-	-	30	g (oz.)
Vibration (sine wave)		Vibration level: 3.5mm (2 ~ 9Hz), 10m/s ² (9 ~ 200Hz), 15m/s ² (200 ~ 500Hz) Directions and time: 3 axes (X, Y, Z), 30 minutes each Sweep velocity: 1oct / min					
Shock (half-sine wave)		Peak acceleration: 300m/s ² Duration time: 6ms Continuous shock 3 times at each of 6 directions (±X, ±Y, ±Z)					

Characteristic Curves

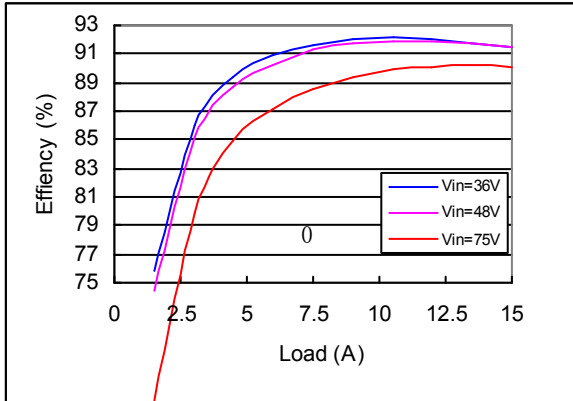


Figure 1 Typical efficiency

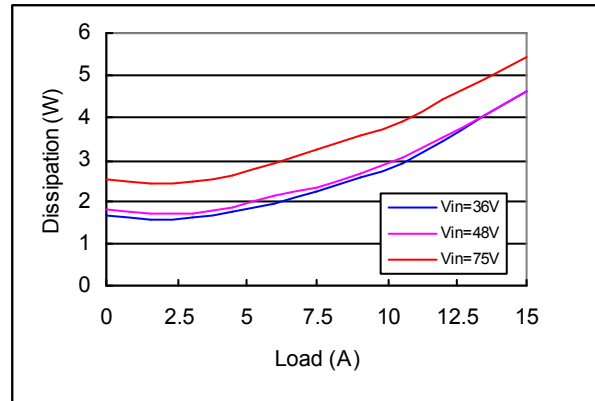


Figure 2 Typical power dissipation curve



Figure 3 Typical start-up from power on

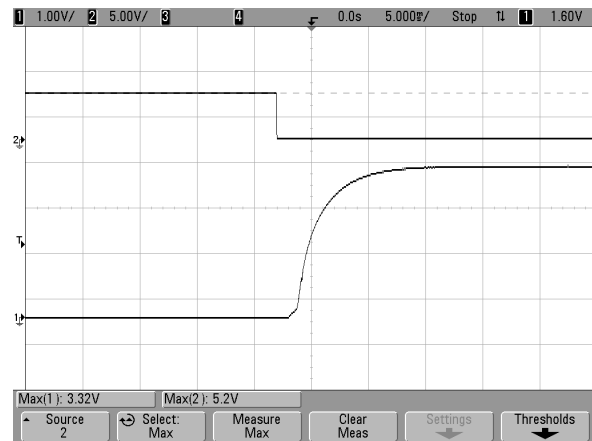


Figure 4 Typical start-up from CNT on

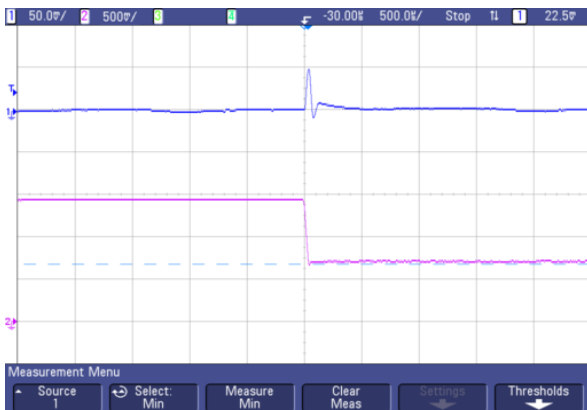


Figure 5 Typical transient response to step decrease in load from 50% to 25%, room temperature, 48Vdc input ($\Delta I_o/\Delta t = 0.1A/1\mu s$)

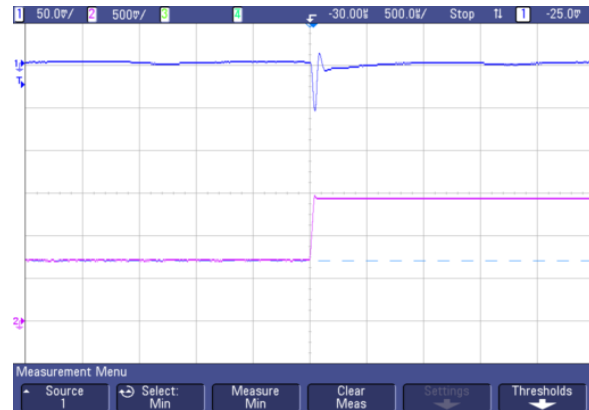


Figure 6 Typical transient response to step decrease in load from 50% to 75%, room temperature, 48Vdc input ($\Delta I_o/\Delta t = 0.1A/1\mu s$)

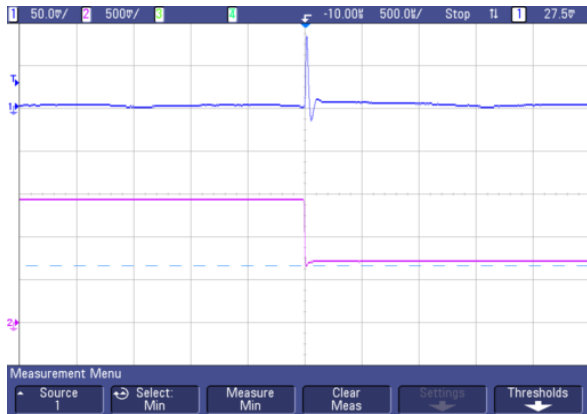


Figure 7 Typical transient response to step decrease in load from 50% to 25%, room temperature, 48Vdc input ($\Delta I_o/\Delta t = 1A/1\mu s$)

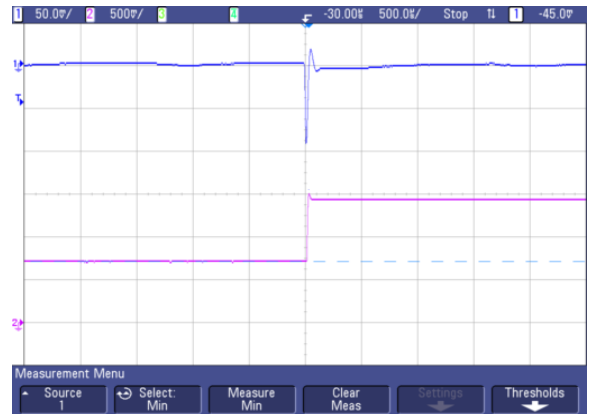


Figure 8 Typical transient response to step increase in load from 50% to 75%, room temperature, 48Vdc input ($\Delta I_o/\Delta t = 1A/1\mu s$)

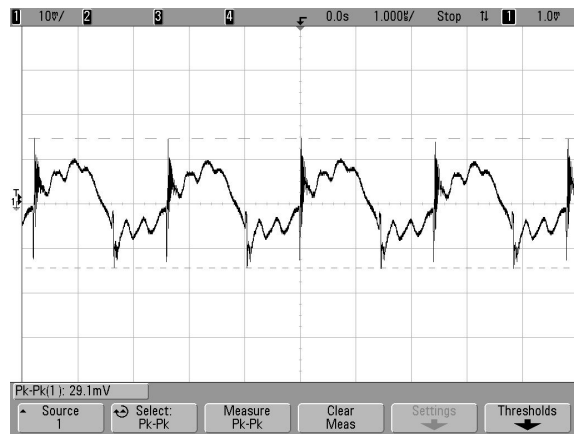


Figure 9 Typical output ripple voltage, room temperature, $I_o = I_{o,max}$

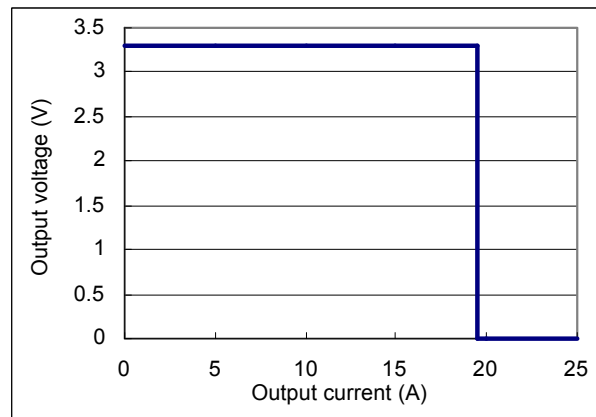


Figure 10 Typical over-current

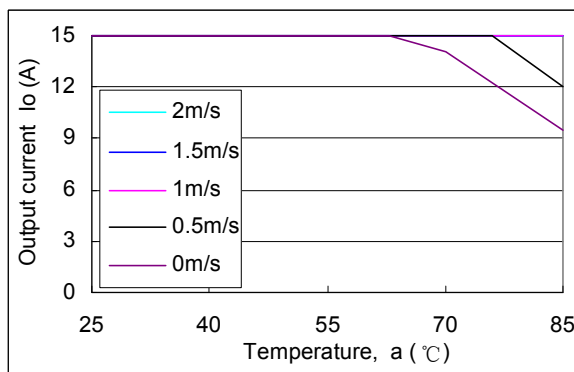


Figure 11 Output power derating (airflow direction from output to input)

Feature Description

CNT Function

The converter is equipped with a primary ON/OFF pin used to remotely turn converter on or off via a system signal. Two CNT logic options are available. For the positive logic model a system logic low signal will turn the unit off. For the negative logic model a system logic high signal will turn the converter off. For negative logic models where no control signal will be used the ON/OFF pin should be connected directly to $-V_{in}$ to ensure proper operation. For positive logic models where no control signal will be used the ON/OFF pin should be left unconnected.

The following figure shows a few simple CNT circuits.

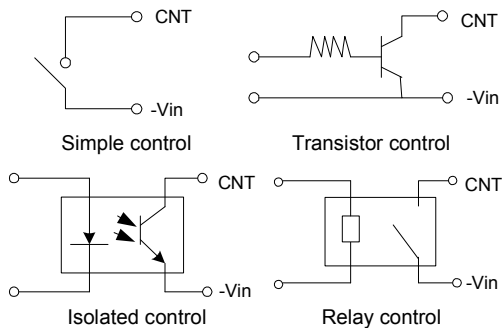


Figure 12 CNT circuit

Remote Sense

The converter can remotely sense both lines of its output which moves the effective output voltage regulation point from the output terminals of the unit to the point of connection of the remote sense pins. The sense leads conduct very little current compared with the power leads and therefore provide a more accurate indication of load voltage for regulation purposes. This feature automatically adjusts the real output

voltage of the converter in order to compensate for voltage drops in distribution and maintain a regulated voltage at the point of load.

When the converter is supporting loads far away, or is used with undersized cabling, significant voltage drop can occur at the load. The best defense against such drops is to locate the load close to the converter and to ensure adequately sized cable is used. When this is not possible, the converter can compensate for a drop of up to 10% V_o , through use of the sense leads.

When used, the + Sense and - Sense leads should be connected from the converter to the point of load as shown in Figure 13, using twisted pair wire, or parallel pattern to reduce noise effect. The converter will then regulate its output voltage at the point where the leads are connected. Care should be taken not to reverse the sense leads. If reversed, the converter will trigger OVP protection.

When not used, the +Sense lead must be connected with $+V_o$, and -Sense with $-V_o$. If +Sense and -Sense are not connected the output voltage could drift beyond the nominal range. Although the output voltage can be increased by both the remote sense and the trim, the maximum increase for the output voltage is not the sum of both. The maximum increase is the larger of either the remote sense or the trim. Note that at elevated output voltages the maximum power rating of the module remains the same, and the output current capability will decrease correspondingly.

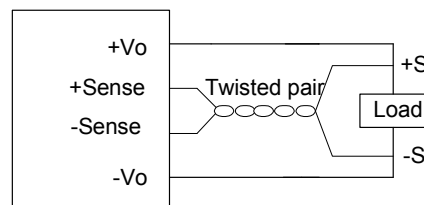


Figure 13 Sense connections

Trim

The +Vo output voltage of AVO50B-48S3V3 can be trimmed using the trim pin provided. Applying a resistor to the trim pin through a voltage divider from the output will cause the +Vo output to increase by up to 10% or decrease by up to 20%. Trimming up by more than 10% of the nominal output may activate the OVP circuit or damage the converter. Trimming down more than 20% can cause the converter to regulate improperly. If the trim pin is not needed, it should be left open.

Trim up

With an external resistor connected between the TRIM and +Sense pins, the output voltage set point increases (see Figure 14).

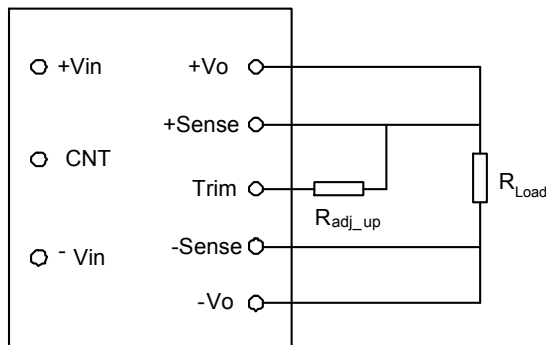


Figure 14 Trim up circuit

The following equation determines the required external-resistor value to obtain a percentage output voltage change of %.

$$R_{adj-up} = \frac{5.1 \times V_{nom} \times (100 + \Delta)}{1.225 \times \Delta} - \frac{510}{\Delta} - 10.2(k\Omega)$$

Note: $\Delta = (V_o - V_{nom}) \times 100 / V_{nom}$

For example: to trim up the output to 3.63V,

$$\Delta = (3.63 - 3.3) \times 100 / 3.3 = 10$$

$$R_{adj-up} = \frac{5.1 \times 3.3 \times (100 + 10)}{1.225 \times 10} - \frac{510}{10} - 10.2(k\Omega)$$

$$R_{adj-up} = 89.9(k\Omega)$$

Trim down

With an external resistor between the TRIM and -Sense pins, the output voltage set point decreases (see Figure 15).

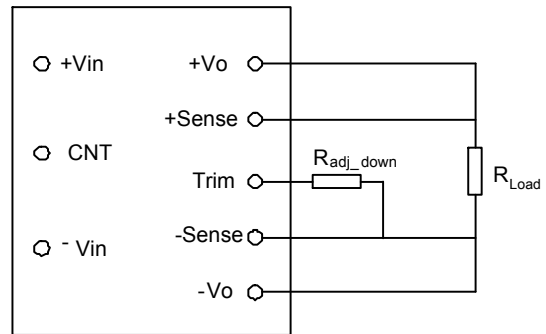


Figure 15 Trim down circuit

The following equation determines the required external-resistor value to obtain a percentage output voltage change of %.

$$R_{adj-down} = \frac{510}{\Delta} - 10.2(k\Omega)$$

Note: $\Delta = (V_{nom} - V_o) \times 100 / V_{nom}$

For example: to trim down the output to 2.64V,

$$\Delta = (3.3 - 2.64) \times 100 / 3.3 = 20$$

$$R_{adj-down} = \frac{510}{20} - 10.2(k\Omega)$$

$$R_{adj-down} = 15.3(k\Omega)$$

Although the output voltage can be increased by both the remote sense and the trim, the maximum increase for the output voltage is not the sum of both. The maximum increase is the larger of either the remote sense or the trim.

Note that at elevated output voltages the maximum power rating of the module remains the same, and the output current capability will decrease correspondingly.

Minimum Load Requirements

There is no minimum load requirement for AVO50B-48S3V3 converter.

Output Capacitance

High output current transient rate of change (high di/dt) loads may require high values of output capacitance to supply the instantaneous energy requirement to the load. To minimize the output voltage transient drop during this transient, low ESR (Equivalent Series Resistance) capacitors may be required, since a high ESR will produce a correspondingly higher voltage drop during the current transient.

When the load is sensitive to ripple and noise, an output filter can be added to minimize the effects. A simple output filter to reduce output ripple and noise can be made by connecting a capacitor C1 across the output as shown in Figure 16. The recommended value for the output capacitor C1 is 470µF.

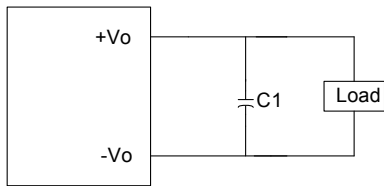


Figure 16 Output ripple filter

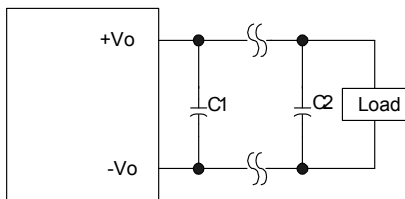


Figure 17 Output ripple filter for a distant load

Extra care should be taken when long leads or traces are used to provide power to the load. Long lead lengths increase the chance for noise to appear on the lines. Under these conditions C1 can be added across the load, with a 1µF ceramic capacitor C2 in parallel generally as shown in Figure 17.

Decoupling

Noise on the power distribution system is not always created by the converter. High speed analog or digital loads with dynamic power demands can cause noise to cross the power inductor back onto the input lines. Noise can be reduced by decoupling the load. In most cases, connecting a 10µF tantalum or ceramic capacitor in parallel with a 0.1µF ceramic capacitor across the load will decouple it. The capacitors should be connected as close to the load as possible.

Ground Loops

Ground loops occur when different circuits are given multiple paths to common or earth ground, as shown in Figure 18. Multiple ground points have slightly different potential and cause current flow through the circuit from one point to another. This can result in additional noise in all the circuits. To eliminate the problem, circuits should be designed with a single ground connection as shown in Figure 19.

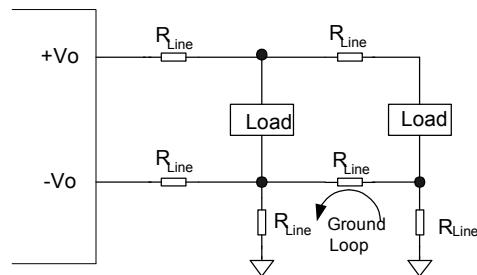


Figure 18 Ground loops

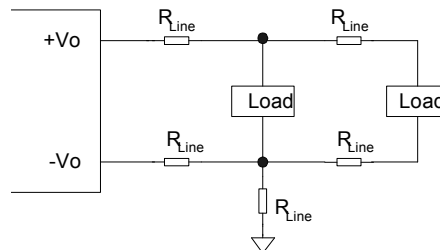


Figure 19 Single point ground

Output Over-Current Protection

AVO50B-48S3V3 converter features foldback current limiting as part of their OCP (Over-current Protection) circuits. When output current exceeds 110 to 140% of the rated current, such as during a short circuit condition, the module will shut down and then enter a “hiccup mode” where it repeatedly turn on and off at a 2Hz (nominal) frequency with a 2% duty cycle until the short circuit condition is removed. This prevents excessive heating of the converter or the load board.

Output Over-Voltage Protection

The output over-voltage protection consists of circuitry that monitors the voltage on the output terminals. If the voltage on the output terminals exceeds the over voltage protection threshold, the module will shut down and then enter a “hiccup mode” where it repeatedly turn on and off at a 2Hz (nominal) frequency with a 2% duty cycle until the over-voltage condition is removed. This prevents damage to the load circuit.

Over-Temperature Protection

The module features an over-temperature protection circuit to safeguard against thermal damage. The module will work on intermittent mode when the maximum device reference temperature is exceeded. When the over-temperature condition is removed, the converter will automatically restart.

Input Reverse Voltage Protection

Under installation and cabling conditions where reverse polarity across the input may occur, reverse polarity protection is recommended. Protection can easily be provided as shown in

Figure 20. In both cases the diode used is rated for 10A/100V. Placing the diode across the inputs rather than in-line with the input offers an advantage in that the diode only conducts in a reverse polarity condition, which increases circuit efficiency and thermal performance.

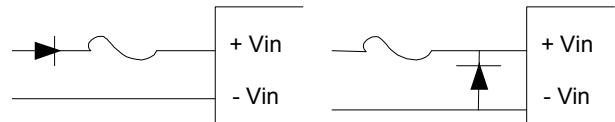


Figure 20 Reverse polarity protection circuit

Safety Consideration

For safety-agency approval of the system in which the power module is used, the power module must be installed in compliance with the spacing and separation requirements of the end-use safety agency standards, i.e., UL1950, CSA C22.2 No. 950-95, and EN60950. The AVO50B-48S3V3 input-to-output isolation is a basic insulation. The DC/DC power module should be installed in end-use equipment, in compliance with the requirements of the ultimate application, and is intended to be supplied by an isolated secondary circuit. When the supply to the DC/DC power module meets all the requirements for SELV (<60Vdc), the output is considered to remain within SELV limits (level 3). If connected to a 60Vdc power system, double or reinforced insulation must be provided in the power supply that isolates the input from any hazardous voltages, including the AC mains. One input pin and one output pin are to be grounded or both the input and output pins are to be kept floating. Single fault testing in the power supply must be performed in combination with the DC/DC power module to demonstrate that the output meets the requirement for SELV. The input pins of the module are not operator accessible.

Note: Do not ground either of the input pins of the module, without grounding one of the output pins. This may allow a non-SELV voltage to appear between the output pin and ground.

Typical Application

Fusing

AVO50B-48S3V3 converter has no internal fuse. An external fuse must always be employed! To meet international safety requirements, a 250 Volt rated fuse should be used. If one of the input lines is connected to chassis ground, then the fuse must be placed in the other input line. Standard safety agency regulations require input fusing. Recommended rating is 5A for AVO50B-48S3V3.

Note: The fuse is fast blow type.

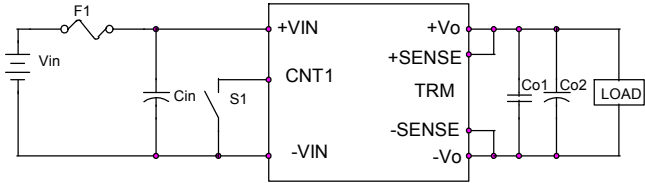


Figure 21 Typical application

F1: Fuse*: 5A fuse (fast blow type).

Cin: Recommended input capacitor, 100 μ F/100V high frequency low ESR electrolytic type capacitor.

Co1: Recommended 1 μ F /23.3V ceramic capacitor

Co2: Recommended output capacitor
Recommended 1,000 μ F/23.3V high frequency low ESR electrolytic type capacitor.

If $T_a < -5^\circ\text{C}$: use 220 μ F tantalum capacitor parallel with Co2.

Note: AVO50B-48S3V3 converter cannot be used in parallel mode directly!

EMC

For conditions where EMI is a concern, a different input filter can be used. Figure 22 shows the filter designed to reduce EMI effects for AVO50B-48S3V3.

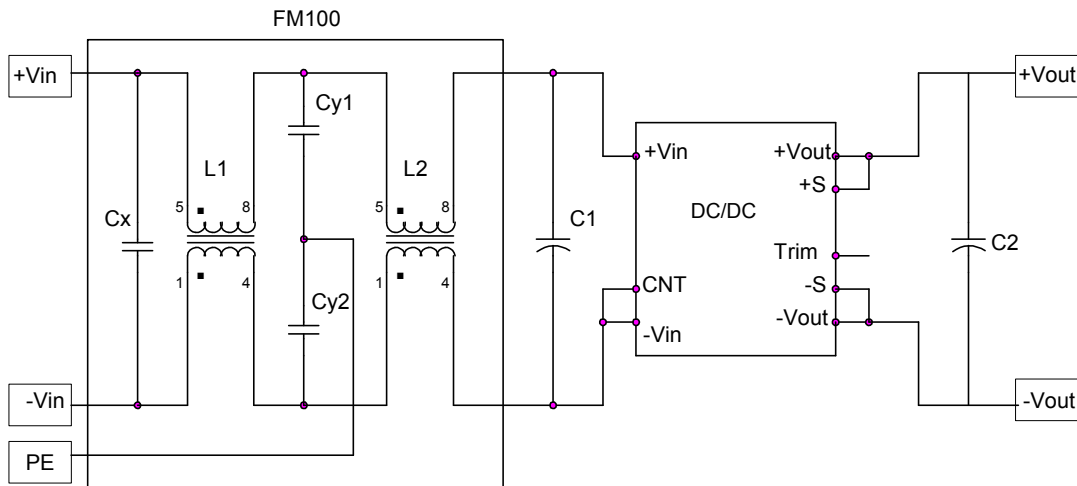


Figure 22 EMI reduction filter

Recommended values:

Component		Value/rating	Type
C1		100 μ F/100V	Aluminium electrolytic capacitor
C2		220 μ F/23.3V	Aluminium electrolytic capacitor, low ESR
FM100 (Emerson filter converter)	L1	150 μ H	Magnetic material: R10k dimension: T8.89 \times 3.81 \times 4.63 mm
	L2	480 μ H	Magnetic material: R10k dimension: T9.53 \times 4.75 \times 4.3 mm
	Cx	4.7 μ F/100V	Ceramic chip capacitor
	Cy1	4700pF/1500V	Leaded multilayer ceramic capacitor
	Cy2	4700pF/1500V	Leaded multilayer ceramic capacitor

Thermal Consideration

Thermal management is an important part of the system design. AVO50B-48S3V3 converter has ultra high efficiency at full load., and the module exhibit good performance during pro-longed exposure to high temperatures. However, to ensure proper and reliable operation, sufficient cooling of the power module and power derating is needed over the entire temperature range of the module.

Considerations includes ambient temperature, airflow, module power derating.

Heat can be removed by increasing airflow over the module. The module should work under 85°C ambient for the reliability of operation. With 48V input, 55°C ambient temperature, and 200LFM airflow, AVO50B-48S3V3 is rated for full power. For operation above ambient temperature of 85°C, output power must be derated as shown in Figure 11. Increasing airflow over the module enhances the heat transfer via convection.

Mechanical Considerations

Installation

Although AVO50B-48S3V3 converter can be mounted in any orientation, free airflow must be taken. Normally power components are always put at the end of the airflow path or have separate airflow paths. This can keep other system equipment cooler and increase component life spans.

Note:

1. There should be no electrical connection between the case and the PE or any module ports.

2. The fixing screw of the heatsink should not be too long. Please refer to the mechanical chart for detail.

Soldering

AVO50B-48S3V3 converter is compatible with standard wave soldering techniques. When wave soldering, the converter pins should be preheated for 20 ~ 30 seconds at 110°C, and wave soldered at 260°C for less than 10 seconds.

When hand soldering, the iron temperature should be maintained at 425°C and applied to the converter pins for less than 5 seconds. Longer exposure can cause internal damage to the converter. Cleaning can be performed with cleaning solvent IPA or with water.

AVO50B-48S3V3/PLS is intended for standard manual, reflow or wave soldering.

When reflow soldering is used, the temperature on pins is specified to maximum 260°C for maximum 10s.

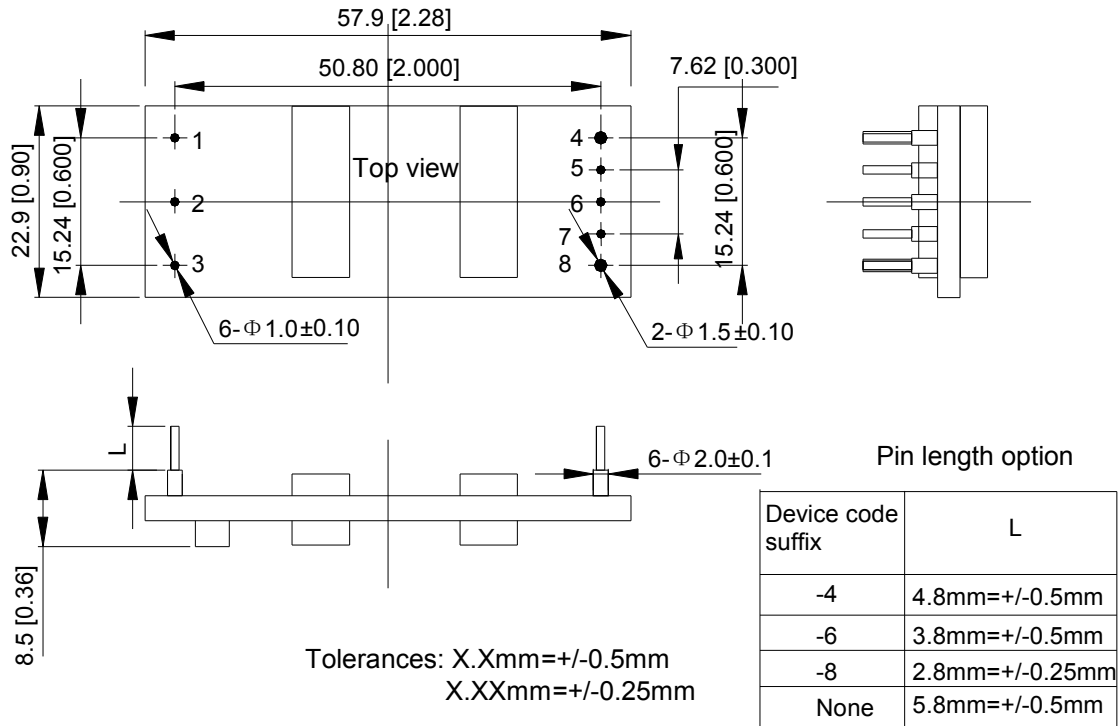
When wave soldering is used, the temperature on pins is specified to maximum 260°C for maximum 7s.

When soldering by hand, the iron temperature should be maintained at 300°C ~ 380°C and applied to the converter pins for less than 10s. Longer exposure can cause internal damage to the converter.

Cleaning of solder joint can be performed with cleaning solvent IPA or similitive.

Mechanical Chart (Top View)

Open Frame



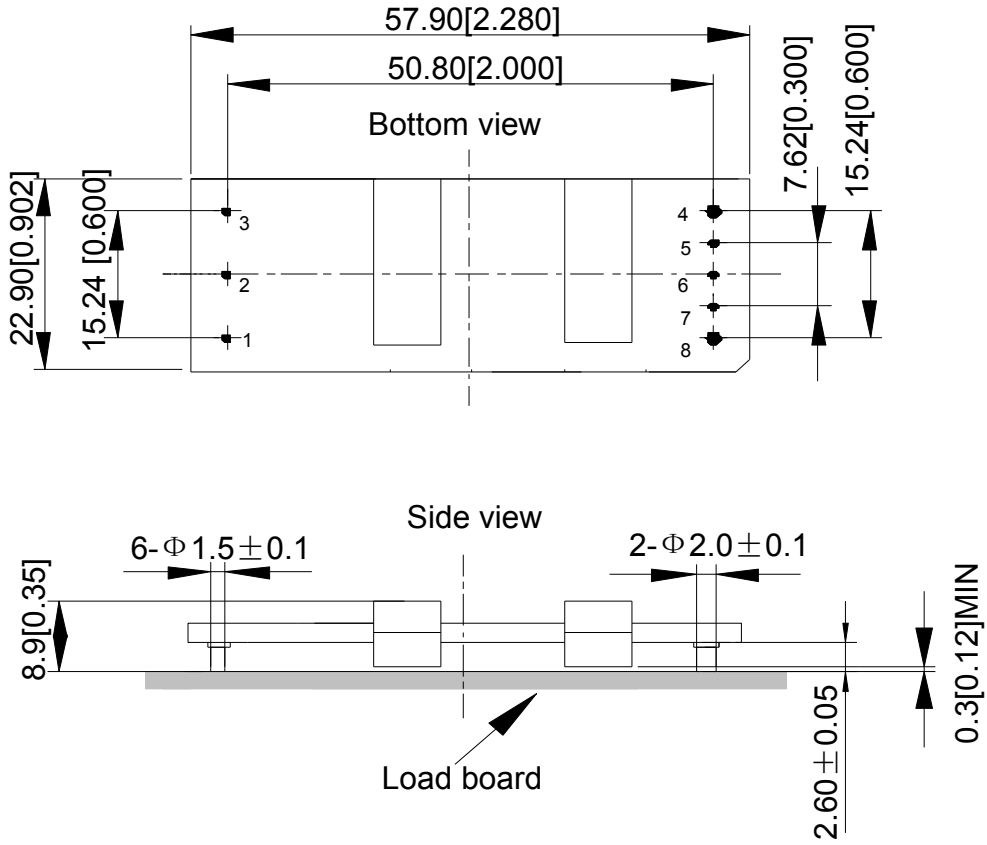
Notes:

1. Un-dimensioned components are for visual reference only.
2. Pins 1-3, 5-7 are 1.0mm diameter with 2.0mm diameter standoff shoulders.
3. Pins 4, 8 are 1.5mm diameter with no standoff shoulders.

Pins Definition

Pin number	Function	Pin number	Function
P 1	+Vin	P 5	+Sense
P 2	CNT	P 6	Trim
P 3	-Vin	P 7	-Sense
P 4	+Vo	P 8	-Vo

The mechanical chart of AVO50B-48S3V3LS is as below:



Unit: mm[inch]

Bottom view: pin on upside

Tolerance : X.Xmm \pm 0.5mm[X.X in. \pm 0.02in.]

X.XXmm \pm 0.25mm[X.XX in. \pm 0.01in.]

Pin No.	Function	Pin No.	Function
P1	Vin(+)	P5	-SENSE
P2	CNT	P6	TRIM
P3	Vi(-)	P7	+SENSE
P4	Vo(-)	P8	Vo(+)

Ordering Information

Model number	Description
AVO50B-48S3V3-4	3.8mm pin length; negative on/off logic; R6 compliant
AVO50B-48S3V3P-4	3.8mm pin length; positive on/off logic; R6 compliant
AVO50B-48S3V3LS	3.8mm pin length; negative on/off logic; R6 compliant
AVO50B-48S3V3PLS	3.8mm pin length; positive on/off logic; R6 compliant

Hazardous Substances Announcement (RoHS Of China)

Parts	Hazardous Substances					
	Pb	Hg	Cd	Cr ⁶⁺	PBB	PBDE
AVO50B	○	○	○	○	○	○
<p>○: Means the content of the hazardous substances in all the average quality materials of the part is within the limits specified in SJ/T-11363-2006</p> <p>√: Means the content of the hazardous substances in at least one of the average quality materials of the part is outside the limits specified in SJ/T11363-2006</p> <p>Emerson Network Power Co., Ltd. has been committed to the design and manufacturing of environment-friendly products. It will reduce and eventually eliminate the hazardous substances in the products through unremitting efforts in research. However, limited by the current technical level, the following parts still contain hazardous substances due to the lack of reliable substitute or mature solution:</p> <ol style="list-style-type: none"> 1. Solders (including high-temperature solder in parts) contain plumbum. 2. Glass of electric parts contains plumbum. 3. Copper alloy of pins contains plumbum 						

Компания «Океан Электроники» предлагает заключение долгосрочных отношений при поставках импортных электронных компонентов на взаимовыгодных условиях!

Наши преимущества:

- Поставка оригинальных импортных электронных компонентов напрямую с производств Америки, Европы и Азии, а так же с крупнейших складов мира;
- Широкая линейка поставок активных и пассивных импортных электронных компонентов (более 30 млн. наименований);
- Поставка сложных, дефицитных, либо снятых с производства позиций;
- Оперативные сроки поставки под заказ (от 5 рабочих дней);
- Экспресс доставка в любую точку России;
- Помощь Конструкторского Отдела и консультации квалифицированных инженеров;
- Техническая поддержка проекта, помощь в подборе аналогов, поставка прототипов;
- Поставка электронных компонентов под контролем ВП;
- Система менеджмента качества сертифицирована по Международному стандарту ISO 9001;
- При необходимости вся продукция военного и аэрокосмического назначения проходит испытания и сертификацию в лаборатории (по согласованию с заказчиком);
- Поставка специализированных компонентов военного и аэрокосмического уровня качества (Xilinx, Altera, Analog Devices, Intersil, Interpoint, Microsemi, Actel, Aeroflex, Peregrine, VPT, Syfer, Eurofarad, Texas Instruments, MS Kennedy, Miteq, Cobham, E2V, MA-COM, Hittite, Mini-Circuits, General Dynamics и др.);

Компания «Океан Электроники» является официальным дистрибьютором и эксклюзивным представителем в России одного из крупнейших производителей разъемов военного и аэрокосмического назначения «JONHON», а так же официальным дистрибьютором и эксклюзивным представителем в России производителя высокотехнологичных и надежных решений для передачи СВЧ сигналов «FORSTAR».



JONHON

«JONHON» (основан в 1970 г.)

Разъемы специального, военного и аэрокосмического назначения:

(Применяются в военной, авиационной, аэрокосмической, морской, железнодорожной, горно- и нефтедобывающей отраслях промышленности)

«FORSTAR» (основан в 1998 г.)

ВЧ соединители, коаксиальные кабели, кабельные сборки и микроволновые компоненты:

(Применяются в телекоммуникациях гражданского и специального назначения, в средствах связи, РЛС, а так же военной, авиационной и аэрокосмической отраслях промышленности).



Телефон: 8 (812) 309-75-97 (многоканальный)

Факс: 8 (812) 320-03-32

Электронная почта: ocean@oceanchips.ru

Web: <http://oceanchips.ru/>

Адрес: 198099, г. Санкт-Петербург, ул. Калинина, д. 2, корп. 4, лит. А