

# 93AA46/56/66

## 1K/2K/4K 1.8V Microwire Serial EEPROM

### Features:

- Single supply with programming operation down to 1.8V
- Low-power CMOS technology:
  - 70  $\mu$ A typical active read current at 1.8V
  - 2  $\mu$ A typical standby current at 1.8V
- ORG pin selectable memory configuration:
  - 128 x 8- or 64 x 16-bit organization (93AA46)
  - 256 x 8- or 128 x 16-bit organization (93AA56)
  - 512 x 8 or 256 x 16-bit organization (93AA66)
- Self-timed erase and write cycles (including auto-erase)
- Automatic ERAL before WRAL
- Power on/off data protection circuitry
- Industry standard 3-wire serial I/O
- Device status signal during erase/write cycles
- Sequential read function
- 1,000,000 E/W cycles ensured
- Data retention > 200 years
- 8-pin PDIP/SOIC (SOIC in JEDEC and EIAJ standards)
- Temperature ranges supported:
  - Commercial (C): 0°C to +70°C
  - Industrial (I): -40°C to +85°C

### Description:

The Microchip Technology Inc. 93AA46/56/66 are 1K, 2K and 4K low voltage serial Electrically Erasable PROMs. The device memory is configured as x8 or x16 bits depending on the ORG pin setup. Advanced CMOS technology makes these devices ideal for low power nonvolatile memory applications. The 93AA Series is available in standard 8-pin PDIP and surface mount SOIC packages. The rotated pin-out 93AA46X/56X/66X are offered in the "SN" package only.

### Package Types



### Block Diagram



# 93AA46/56/66

---

## 1.0 ELECTRICAL CHARACTERISTICS

### Absolute Maximum Ratings<sup>(†)</sup>

|                                                     |                                |
|-----------------------------------------------------|--------------------------------|
| V <sub>CC</sub> .....                               | 7.0V                           |
| All inputs and outputs w.r.t. V <sub>SS</sub> ..... | -0.6V to V <sub>CC</sub> +1.0V |
| Storage temperature .....                           | -65°C to +150°C                |
| Ambient temperature with power applied.....         | -40°C to +125°C                |
| Soldering temperature of leads (10 seconds) .....   | +300°C                         |
| ESD protection on all pins .....                    | 4 kV                           |

† NOTICE: Stresses above those listed under “Absolute Maximum Ratings” may cause permanent damage to the device. This is a stress rating only and functional operation of the device at these or any other conditions above those indicated in the operational listings of this specification is not implied. Exposure to Absolute Maximum Rating conditions for extended periods may affect device reliability.

**TABLE 1-1: DC AND AC ELECTRICAL CHARACTERISTICS**

| VCC = +1.8V to +5.5V    Commercial (C): TA = 0°C to +70°C<br>Industrial (I):        TA = -40°C to +85°C |           |         |     |                             |                |                                                                                                             |
|---------------------------------------------------------------------------------------------------------|-----------|---------|-----|-----------------------------|----------------|-------------------------------------------------------------------------------------------------------------|
| Parameter                                                                                               | Symbol    | Min     | Typ | Max                         | Units          | Conditions                                                                                                  |
| High-level input voltage                                                                                | VIH1      | 2.0     | —   | VCC+1                       | V              | VCC ≥ 2.7V                                                                                                  |
|                                                                                                         | VIH2      | 0.7 VCC | —   | VCC+1                       | V              | VCC < 2.7V                                                                                                  |
| Low-level input voltage                                                                                 | VIL1      | -0.3    | —   | 0.8                         | V              | VCC ≥ 2.7V                                                                                                  |
|                                                                                                         | VIL2      | -0.3    | —   | 0.2 VCC                     | V              | VCC < 2.7V                                                                                                  |
| Low-level output voltage                                                                                | VOL1      | —       | —   | 0.4                         | V              | IoL = 2.1 mA; VCC = 4.5V                                                                                    |
|                                                                                                         | VOL2      | —       | —   | 0.2                         | V              | IoL = 100µA; VCC = 1.8V                                                                                     |
| High-level output voltage                                                                               | VOH1      | 2.4     | —   | —                           | V              | IOH = -400 µA; VCC = 4.5V                                                                                   |
|                                                                                                         | VOH2      | VCC-0.2 | —   | —                           | V              | IOH = -100 µA; VCC = 1.8V                                                                                   |
| Input leakage current                                                                                   | II        | -10     | —   | 10                          | µA             | VIN = 0.1V to VCC                                                                                           |
| Output leakage current                                                                                  | ILO       | -10     | —   | 10                          | µA             | VOUT = 0.1V to VCC                                                                                          |
| Pin capacitance<br>(all inputs/outputs)                                                                 | CIN, COUT | —       | —   | 7                           | pF             | VIN/VOUT = 0V ( <b>Note 1 &amp; 2</b> )<br>TA = +25°C, FCLK = 1 MHz                                         |
| Operating current                                                                                       | Icc write | —       | —   | 3                           | mA             | FCLK = 2 MHz; VCC=5.5V<br>( <b>Note 2</b> )                                                                 |
|                                                                                                         | Icc read  | —       | —   | 1<br>500<br>µA<br>µA        | mA<br>µA<br>µA | FCLK = 2 MHz; VCC = 5.5V<br>FCLK = 1 MHz; VCC = 3.0V<br>FCLK = 1 MHz; VCC = 1.8V                            |
| Standby current                                                                                         | Iccs      | —       | 2   | 100<br>30<br>µA<br>µA<br>µA | µA<br>µA<br>µA | CLK = CS = 0V; VCC = 5.5V<br>CLK = CS = 0V; VCC = 3.0V<br>CLK = CS = 0V; VCC = 1.8V<br>ORG, DI = Vss or VCC |
|                                                                                                         |           |         |     |                             |                |                                                                                                             |
| Clock frequency                                                                                         | FCLK      | —       | —   | 2<br>1                      | MHz<br>MHz     | VCC ≥ 4.5V<br>VCC < 4.5V                                                                                    |
|                                                                                                         |           |         |     |                             |                |                                                                                                             |
| Clock high time                                                                                         | TCKH      | 250     |     |                             | ns             |                                                                                                             |
| Clock low time                                                                                          | TCKL      | 250     |     |                             | ns             |                                                                                                             |
| Chip select setup time                                                                                  | Tcss      | 50      |     |                             | ns             | Relative to CLK                                                                                             |
| Chip select hold time                                                                                   | Tcsh      | 0       |     |                             | ns             | Relative to CLK                                                                                             |
| Chip select low time                                                                                    | Tcsl      | 250     |     |                             | ns             |                                                                                                             |
| Data input setup time                                                                                   | Tdis      | 100     |     |                             | ns             | Relative to CLK                                                                                             |
| Data input hold time                                                                                    | Tdih      | 100     |     |                             | ns             | Relative to CLK                                                                                             |
| Data output delay time                                                                                  | TPD       |         |     | 400                         | ns             | CL = 100 pF                                                                                                 |
| Data output disable time                                                                                | Tcz       |         |     | 100                         | ns             | CL = 100 pF ( <b>Note 2</b> )                                                                               |
| Status valid time                                                                                       | Tsv       |         |     | 500                         | ns             | CL = 100 pF                                                                                                 |
| Program cycle time                                                                                      | TWC       |         | 4   | 10                          | ms             | Erase/Write mode                                                                                            |
|                                                                                                         | TEC       |         | 8   | 15                          | ms             | ERAL mode (VCC = 5V ± 10%)                                                                                  |
|                                                                                                         | TWL       |         | 16  | 30                          | ms             | WRAL mode (VCC = 5V ± 10%)                                                                                  |
| Endurance                                                                                               | —         | 1M      | —   | 1M                          | —              | 25°C, VCC = 5.0V, Block mode<br>( <b>Note 3</b> )                                                           |

**Note 1:** This parameter is tested at TA = 25°C and FCLK = 1 MHz.

**2:** This parameter is periodically sampled and not 100% tested.

**3:** This parameter is not tested but ensured by characterization. For endurance estimates in a specific application, please consult the Total Endurance™ Model which can be obtained from Microchip's web site.

# 93AA46/56/66

**TABLE 1-2: INSTRUCTION SET FOR 93AA46: ORG = 1 (X 16 ORGANIZATION)**

| Instruction | SB | Opcode | Address           | Data In  | Data Out                        | Req. CLK Cycles |
|-------------|----|--------|-------------------|----------|---------------------------------|-----------------|
| READ        | 1  | 10     | A5 A4 A3 A2 A1 A0 | —        | D15 - D0                        | 25              |
| EWEN        | 1  | 00     | 1 1 X X X X       | —        | High-Z                          | 9               |
| ERASE       | 1  | 11     | A5 A4 A3 A2 A1 A0 | —        | (RDY/ $\overline{\text{BSY}}$ ) | 9               |
| ERAL        | 1  | 00     | 1 0 X X X X       | —        | (RDY/ $\overline{\text{BSY}}$ ) | 9               |
| WRITE       | 1  | 01     | A5 A4 A3 A2 A1 A0 | D15 - D0 | (RDY/ $\overline{\text{BSY}}$ ) | 25              |
| WRAL        | 1  | 00     | 0 1 X X X X       | D15 - D0 | (RDY/ $\overline{\text{BSY}}$ ) | 25              |
| EWDS        | 1  | 00     | 0 0 X X X X       | —        | High-Z                          | 9               |

**TABLE 1-3: INSTRUCTION SET FOR 93AA46: ORG = 0 (X 8 ORGANIZATION)**

| Instruction | SB | Opcode | Address              | Data In | Data Out                        | Req. CLK Cycles |
|-------------|----|--------|----------------------|---------|---------------------------------|-----------------|
| READ        | 1  | 10     | A6 A5 A4 A3 A2 A1 A0 | —       | D7 - D0                         | 18              |
| EWEN        | 1  | 00     | 1 1 X X X X X        | —       | High-Z                          | 10              |
| ERASE       | 1  | 11     | A6 A5 A4 A3 A2 A1 A0 | —       | (RDY/ $\overline{\text{BSY}}$ ) | 10              |
| ERAL        | 1  | 00     | 1 0 X X X X X        | —       | (RDY/ $\overline{\text{BSY}}$ ) | 10              |
| WRITE       | 1  | 01     | A6 A5 A4 A3 A2 A1 A0 | D7 - D0 | (RDY/ $\overline{\text{BSY}}$ ) | 18              |
| WRAL        | 1  | 00     | 0 1 X X X X X        | D7 - D0 | (RDY/ $\overline{\text{BSY}}$ ) | 18              |
| EWDS        | 1  | 00     | 0 0 X X X X X        | —       | High-Z                          | 10              |

**TABLE 1-4: INSTRUCTION SET FOR 93AA56: ORG = 1 (X 16 ORGANIZATION)**

| Instruction | SB | Opcode | Address                | Data In  | Data Out                        | Req. CLK Cycles |
|-------------|----|--------|------------------------|----------|---------------------------------|-----------------|
| READ        | 1  | 10     | X A6 A5 A4 A3 A2 A1 A0 | —        | D15 - D0                        | 27              |
| EWEN        | 1  | 00     | 1 1 X X X X X X        | —        | High-Z                          | 11              |
| ERASE       | 1  | 11     | X A6 A5 A4 A3 A2 A1 A0 | —        | (RDY/ $\overline{\text{BSY}}$ ) | 11              |
| ERAL        | 1  | 00     | 1 0 X X X X X X        | —        | (RDY/ $\overline{\text{BSY}}$ ) | 11              |
| WRITE       | 1  | 01     | X A6 A5 A4 A3 A2 A1 A0 | D15 - D0 | (RDY/ $\overline{\text{BSY}}$ ) | 27              |
| WRAL        | 1  | 00     | 0 1 X X X X X X        | D15 - D0 | (RDY/ $\overline{\text{BSY}}$ ) | 27              |
| EWDS        | 1  | 00     | 0 0 X X X X X X        | —        | High-Z                          | 11              |

**TABLE 1-5: INSTRUCTION SET FOR 93AA56: ORG = 0 (X 8 ORGANIZATION)**

| Instruction | SB | Opcode | Address                   | Data In | Data Out                        | Req. CLK Cycles |
|-------------|----|--------|---------------------------|---------|---------------------------------|-----------------|
| READ        | 1  | 10     | X A7 A6 A5 A4 A3 A2 A1 A0 | —       | D7 - D0                         | 20              |
| EWEN        | 1  | 00     | 1 1 X X X X X X X         | —       | High-Z                          | 12              |
| ERASE       | 1  | 11     | X A7 A6 A5 A4 A3 A2 A1 A0 | —       | (RDY/ $\overline{\text{BSY}}$ ) | 12              |
| ERAL        | 1  | 00     | 1 0 X X X X X X X         | —       | (RDY/ $\overline{\text{BSY}}$ ) | 12              |
| WRITE       | 1  | 01     | X A7 A6 A5 A4 A3 A2 A1 A0 | D7 - D0 | (RDY/ $\overline{\text{BSY}}$ ) | 20              |
| WRAL        | 1  | 00     | 0 1 X X X X X X X         | D7 - D0 | (RDY/ $\overline{\text{BSY}}$ ) | 20              |
| EWDS        | 1  | 00     | 0 0 X X X X X X X         | —       | High-Z                          | 12              |

**TABLE 1-6: INSTRUCTION SET FOR 93AA66: ORG = 1 (X 16 ORGANIZATION)**

| Instruction | SB | Opcode | Address                 | Data In  | Data Out                        | Req. CLK Cycles |
|-------------|----|--------|-------------------------|----------|---------------------------------|-----------------|
| READ        | 1  | 10     | A7 A6 A5 A4 A3 A2 A1 A0 | —        | D15 - D0                        | 27              |
| EWEN        | 1  | 00     | 1 1 X X X X X X         | —        | High-Z                          | 11              |
| ERASE       | 1  | 11     | A7 A6 A5 A4 A3 A2 A1 A0 | —        | (RDY/ $\overline{\text{BSY}}$ ) | 11              |
| ERAL        | 1  | 00     | 1 0 X X X X X X         | —        | (RDY/ $\overline{\text{BSY}}$ ) | 11              |
| WRITE       | 1  | 01     | A7 A6 A5 A4 A3 A2 A1 A0 | D15 - D0 | (RDY/ $\overline{\text{BSY}}$ ) | 27              |
| WRAL        | 1  | 00     | 0 1 X X X X X X         | D15 - D0 | (RDY/ $\overline{\text{BSY}}$ ) | 27              |
| EWDS        | 1  | 00     | 0 0 X X X X X X         | —        | High-Z                          | 11              |

**TABLE 1-7: INSTRUCTION SET FOR 93AA66: ORG = 0 (X 8 ORGANIZATION)**

| Instruction | SB | Opcode | Address                    | Data In | Data Out                        | Req. CLK Cycles |
|-------------|----|--------|----------------------------|---------|---------------------------------|-----------------|
| READ        | 1  | 10     | A8 A7 A6 A5 A4 A3 A2 A1 A0 | —       | D7 - D0                         | 20              |
| EWEN        | 1  | 00     | 1 1 X X X X X X            | —       | High-Z                          | 12              |
| ERASE       | 1  | 11     | A8 A7 A6 A5 A4 A3 A2 A1 A0 | —       | (RDY/ $\overline{\text{BSY}}$ ) | 12              |
| ERAL        | 1  | 00     | 1 0 X X X X X X            | —       | (RDY/ $\overline{\text{BSY}}$ ) | 12              |
| WRITE       | 1  | 01     | A8 A7 A6 A5 A4 A3 A2 A1 A0 | D7 - D0 | (RDY/ $\overline{\text{BSY}}$ ) | 20              |
| WRAL        | 1  | 00     | 0 1 X X X X X X            | D7 - D0 | (RDY/ $\overline{\text{BSY}}$ ) | 20              |
| EWDS        | 1  | 00     | 0 0 X X X X X X            | —       | High-Z                          | 12              |

## 2.0 FUNCTIONAL DESCRIPTION

When the ORG pin is connected to VCC, the (x16) organization is selected. When it is connected to ground, the (x8) organization is selected. Instructions, addresses and write data are clocked into the DI pin on the rising edge of the clock (CLK). The DO pin is normally held in a high-Z state except when reading data from the device, or when checking the Ready/Busy status during a programming operation. The Ready/Busy status can be verified during an erase/write operation by polling the DO pin; DO low indicates that programming is still in progress, while DO high indicates the device is ready. The DO will enter the high-Z state on the falling edge of the CS.

### 2.1 Start Condition

The Start bit is detected by the device if CS and DI are both high with respect to the positive edge of CLK for the first time.

Before a Start condition is detected, CS, CLK and DI may change in any combination (except to that of a Start condition), without resulting in any device operation (read, write, erase, EWEN, EWDS, ERAL, and WRAL). As soon as CS is high, the device is no longer in the Standby mode.

An instruction following a Start condition will only be executed if the required amount of opcode, address and data bits for any particular instruction is clocked in.

After execution of an instruction (i.e., clock in or out of the last required address or data bit) CLK and DI become “don't care” bits until a new Start condition is detected.

### 2.2 DI/DO

It is possible to connect the Data In and Data Out pins together. However, with this configuration it is possible for a “bus conflict” to occur during the “dummy zero” that precedes the read operation, if A0 is a logic high level. Under such a condition the voltage level seen at Data Out is undefined and will depend upon the relative impedances of Data Out and the signal source driving A0. The higher the current sourcing capability of A0, the higher the voltage at the Data Out pin.

### 2.3 Data Protection

During power-up, all programming modes of operation are inhibited until VCC has reached a level greater than 1.4V. During power-down, the source data protection circuitry acts to inhibit all programming modes when VCC has fallen below 1.4V at nominal conditions.

The EWEN and EWDS commands give additional protection against accidentally programming during normal operation.

After power-up, the device is automatically in the EWDS mode. Therefore, an EWEN instruction must be performed before any ERASE or WRITE instruction can be executed.

### 2.4 Read

The READ instruction outputs the serial data of the addressed memory location on the DO pin. A dummy zero bit precedes the 16-bit (x16 organization) or 8 bit (x8 organization) output string. The output data bits will toggle on the rising edge of the CLK and are stable after the specified time delay (TPD). Sequential read is possible when CS is held high. The memory data will automatically cycle to the next register and output sequentially.

### 2.5 Erase/Write Enable and Disable (EWEN, EWDS)

The 93AA46/56/66 power up in the Erase/Write Disable (EWDS) state. All programming modes must be preceded by an Erase/Write Enable (EWEN) instruction. Once the EWEN instruction is executed, programming remains enabled until an EWDS instruction is executed or VCC is removed from the device. To protect against accidental data disturb, the EWDS instruction can be used to disable all erase/write functions and should follow all programming operations. Execution of a READ instruction is independent of both the EWEN and EWDS instructions.

### 2.6 Erase

The ERASE instruction forces all data bits of the specified address to the logical “1” state. CS is brought low following the loading of the last address bit. This falling edge of the CS pin initiates the self-timed programming cycle.

The DO pin indicates the Ready/Busy status of the device if CS is brought high after a minimum of 250 ns low (TCSL). DO at logical “0” indicates that programming is still in progress. DO at logical “1” indicates that the register at the specified address has been erased and the device is ready for another instruction.

The erase cycle takes 4 ms per word typical.

## 2.7 Write

The `WRITE` instruction is followed by 16 bits (or by 8 bits) of data which are written into the specified address. After the last data bit is put on the DI pin, CS must be brought low before the next rising edge of the CLK clock. This falling edge of CS initiates the self-timed auto-erase and programming cycle.

The DO pin indicates the Ready/Busy status of the device if CS is brought high after a minimum of 250 ns low (TCSL) and before the entire write cycle is complete. DO at logical "0" indicates that programming is still in progress. DO at logical "1" indicates that the register at the specified address has been written with the data specified and the device is ready for another instruction.

The write cycle takes 4 ms per word typical.

## 2.8 Erase All (ERAL)

The `ERAL` instruction will erase the entire memory array to the logical "1" state. The `ERAL` cycle is identical to the erase cycle except for the different opcode. The `ERAL` cycle is completely self-timed and commences at the falling edge of the CS. Clocking of the CLK pin is not necessary after the device has entered the Self Clocking mode. The `ERAL` instruction is ensured at  $5V \pm 10\%$ .

The DO pin indicates the Ready/Busy status of the device if CS is brought high after a minimum of 250 ns low (TCSL) and before the entire write cycle is complete.

The `ERAL` cycle takes (8 ms typical).

## 2.9 Write All (WRAL)

The `WRAL` instruction will write the entire memory array with the data specified in the command. The `WRAL` cycle is completely self-timed and commences at the falling edge of the CS. Clocking of the CLK pin is not necessary after the device has entered the Self Clocking mode. The `WRAL` command does include an automatic `ERAL` cycle for the device. Therefore, the `WRAL` instruction does not require an `ERAL` instruction but the chip must be in the `EWEN` status. The `WRAL` instruction is ensured at  $5V \pm 10\%$ .

The DO pin indicates the Ready/Busy status of the device if CS is brought high after a minimum of 250 ns low (TCSL).

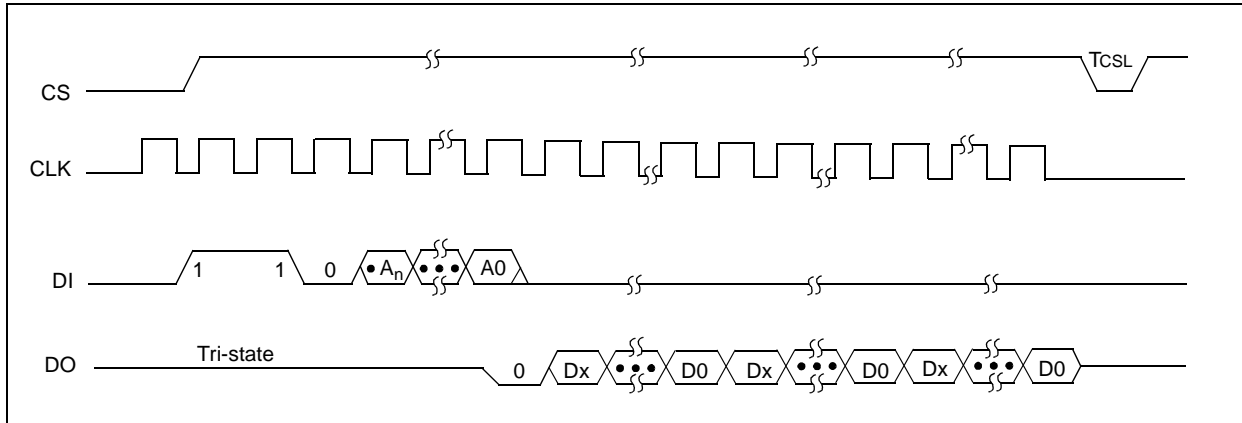
The `WRAL` cycle takes 16 ms typical.

**FIGURE 2-1: SYNCHRONOUS DATA TIMING**

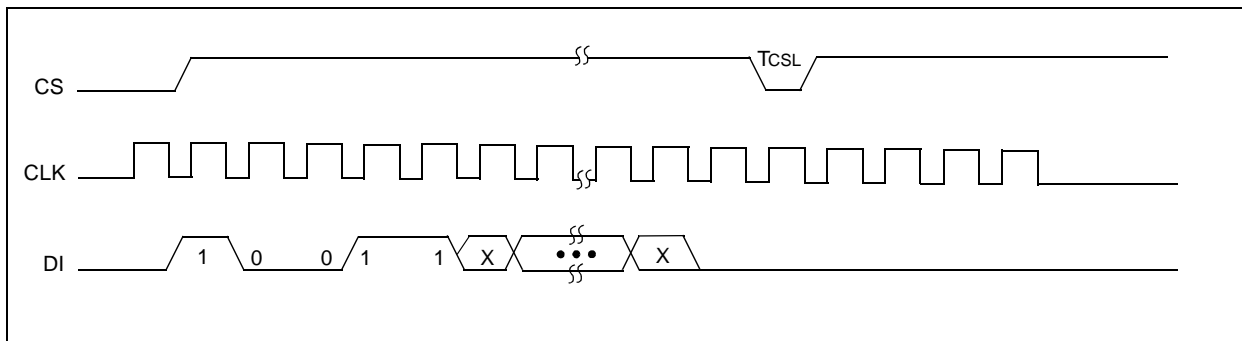


# 93AA46/56/66

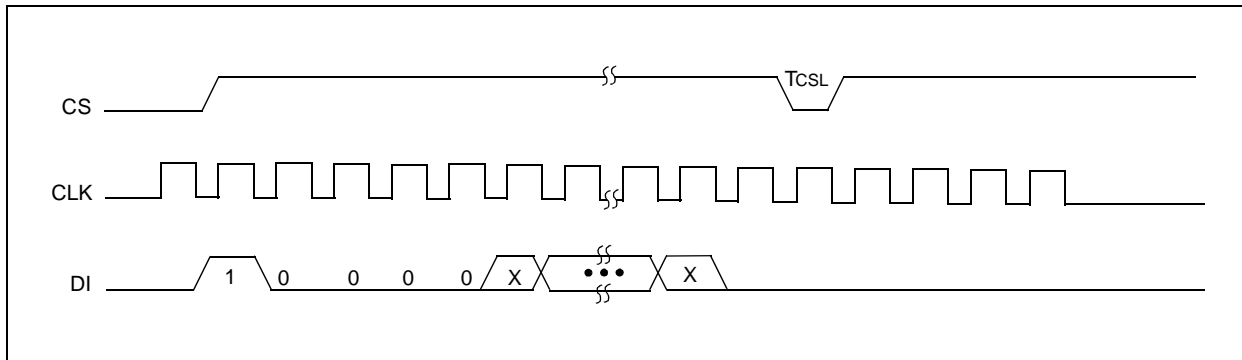
**FIGURE 2-2: READ TIMING**



**FIGURE 2-3: EWEN TIMING**



**FIGURE 2-4: EWDS TIMING**

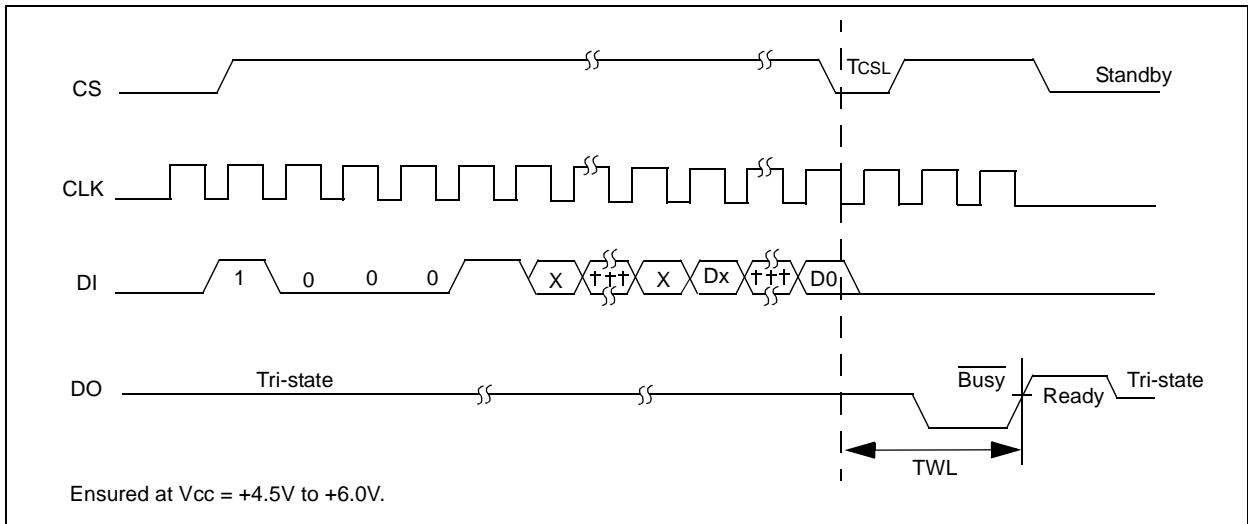




**FIGURE 2-5: WRITE TIMING**



**FIGURE 2-6: WRAL TIMING**

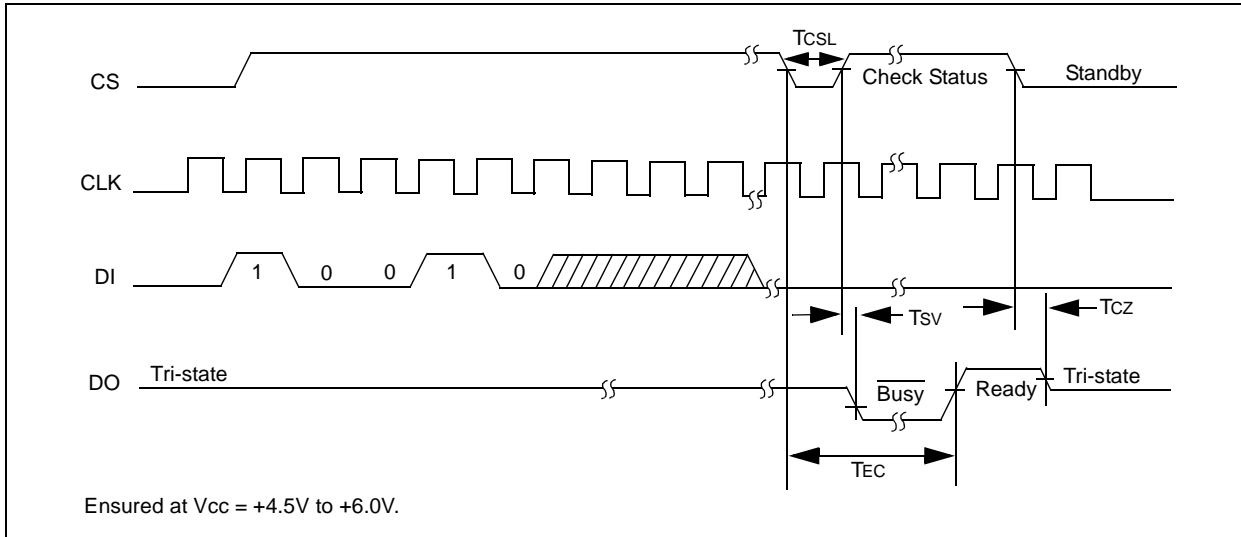


**FIGURE 2-7: ERASE TIMING**



# 93AA46/56/66

FIGURE 2-8: ERAL TIMING



### 3.0 PIN DESCRIPTION

**TABLE 3-1: PIN FUNCTION TABLE**

| Name | Function             |
|------|----------------------|
| CS   | Chip Select          |
| CLK  | Serial Data Clock    |
| DI   | Serial Data Input    |
| DO   | Serial Data Output   |
| Vss  | Ground               |
| ORG  | Memory Configuration |
| NU   | Not Utilized         |
| Vcc  | Power Supply         |

#### 3.1 Chip Select (CS)

A high level selects the device. A low level deselects the device and forces it into Standby mode. However, a programming cycle which is already initiated and/or in progress will be completed, regardless of the CS input signal. If CS is brought low during a program cycle, the device will go into Standby mode as soon as the programming cycle is completed.

CS must be low for 250 ns minimum (TcSL) between consecutive instructions. If CS is low, the internal control logic is held in a Reset status.

#### 3.2 Serial Clock (CLK)

The Serial Clock is used to synchronize the communication between a master device and the 93AAXX. Opcode, address, and data bits are clocked in on the positive edge of CLK. Data bits are also clocked out on the positive edge of CLK.

CLK can be stopped anywhere in the transmission sequence (at high or low level) and can be continued anytime with respect to clock high time (TCKH) and clock low time (TCKL). This gives the controlling master freedom in preparing opcode, address and data.

CLK is a “don't care” if CS is low (device deselected). If CS is high, but Start condition has not been detected, any number of clock cycles can be received by the device without changing its status (i.e., waiting for Start condition).

CLK cycles are not required during the self-timed write (i.e., auto erase/write) cycle.

After detection of a Start condition the specified number of clock cycles (respectively low-to-high transitions of CLK) must be provided. These clock cycles are required to clock in all required opcode, address and data bits before an instruction is executed (see instruction set truth table). CLK and DI then become “don't care” inputs waiting for a new Start condition to be detected.

**Note:** CS must go low between consecutive instructions.

#### 3.3 Data In (DI)

Data In is used to clock in a Start bit, opcode, address and data synchronously with the CLK input.

#### 3.4 Data Out (DO)

Data Out is used in the Read mode to output data synchronously with the CLK input (T<sub>PD</sub> after the positive edge of CLK).

This pin also provides Ready/Busy status information during erase and write cycles. Ready/Busy status information is available on the DO pin if CS is brought high after being low for minimum chip select low time (TcSL) and an erase or write operation has been initiated.

The status signal is not available on DO, if CS is held low or high during the entire write or erase cycle. In all other cases DO is in the High-Z mode. If status is checked after the write/erase cycle, a pull-up resistor on DO is required to read the Ready signal.

#### 3.5 Organization (ORG)

When ORG is connected to Vcc, the (x16) memory organization is selected. When ORG is tied to Vss, the (x8) memory organization is selected. ORG can only be floated for clock speeds of 1MHz or less for the (x16) memory organization. For clock speeds greater than 1 MHz, ORG must be tied to Vcc or Vss.

# 93AA46/56/66

---

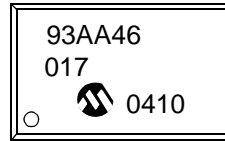
## 4.0 PACKAGING INFORMATION

### 4.1 Package Marking Information

8-Lead PDIP



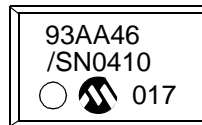
Example



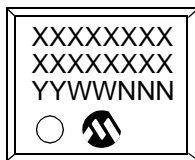
8-Lead SOIC (.150")



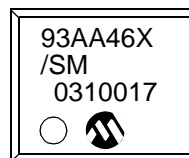
Example



8-Lead SOIC (.208")



Example



## 8-Lead Plastic Dual In-line (P) – 300 mil Body (PDIP)

**Note:** For the most current package drawings, please see the Microchip Packaging Specification located at <http://www.microchip.com/packaging>



| Units                      |      | INCHES* |      |      | MILLIMETERS |      |       |
|----------------------------|------|---------|------|------|-------------|------|-------|
| Dimension Limits           |      | MIN     | NOM  | MAX  | MIN         | NOM  | MAX   |
| Number of Pins             | n    | 8       |      |      | 8           |      |       |
| Pitch                      | p    |         | .100 |      |             | 2.54 |       |
| Top to Seating Plane       | A    | .140    | .155 | .170 | 3.56        | 3.94 | 4.32  |
| Molded Package Thickness   | A2   | .115    | .130 | .145 | 2.92        | 3.30 | 3.68  |
| Base to Seating Plane      | A1   | .015    |      |      | 0.38        |      |       |
| Shoulder to Shoulder Width | E    | .300    | .313 | .325 | 7.62        | 7.94 | 8.26  |
| Molded Package Width       | E1   | .240    | .250 | .260 | 6.10        | 6.35 | 6.60  |
| Overall Length             | D    | .360    | .373 | .385 | 9.14        | 9.46 | 9.78  |
| Tip to Seating Plane       | L    | .125    | .130 | .135 | 3.18        | 3.30 | 3.43  |
| Lead Thickness             | c    | .008    | .012 | .015 | 0.20        | 0.29 | 0.38  |
| Upper Lead Width           | B1   | .045    | .058 | .070 | 1.14        | 1.46 | 1.78  |
| Lower Lead Width           | B    | .014    | .018 | .022 | 0.36        | 0.46 | 0.56  |
| Overall Row Spacing        | § eB | .310    | .370 | .430 | 7.87        | 9.40 | 10.92 |
| Mold Draft Angle Top       | α    | 5       | 10   | 15   | 5           | 10   | 15    |
| Mold Draft Angle Bottom    | β    | 5       | 10   | 15   | 5           | 10   | 15    |

\* Controlling Parameter  
 § Significant Characteristic

**Notes:**

Dimensions D and E1 do not include mold flash or protrusions. Mold flash or protrusions shall not exceed .010" (0.254mm) per side.  
 JEDEC Equivalent: MS-001  
 Drawing No. C04-018

# 93AA46/56/66

## 8-Lead Plastic Small Outline (SN) – Narrow, 150 mil Body (SOIC)

**Note:** For the most current package drawings, please see the Microchip Packaging Specification located at <http://www.microchip.com/packaging>



| Units                    |        | INCHES* |      |      | MILLIMETERS |      |      |
|--------------------------|--------|---------|------|------|-------------|------|------|
| Dimension                | Limits | MIN     | NOM  | MAX  | MIN         | NOM  | MAX  |
| Number of Pins           | n      | 8       |      |      | 8           |      |      |
| Pitch                    | P      |         | .050 |      |             | 1.27 |      |
| Overall Height           | A      | .053    | .061 | .069 | 1.35        | 1.55 | 1.75 |
| Molded Package Thickness | A2     | .052    | .056 | .061 | 1.32        | 1.42 | 1.55 |
| Standoff §               | A1     | .004    | .007 | .010 | 0.10        | 0.18 | 0.25 |
| Overall Width            | E      | .228    | .237 | .244 | 5.79        | 6.02 | 6.20 |
| Molded Package Width     | E1     | .146    | .154 | .157 | 3.71        | 3.91 | 3.99 |
| Overall Length           | D      | .189    | .193 | .197 | 4.80        | 4.90 | 5.00 |
| Chamfer Distance         | h      | .010    | .015 | .020 | 0.25        | 0.38 | 0.51 |
| Foot Length              | L      | .019    | .025 | .030 | 0.48        | 0.62 | 0.76 |
| Foot Angle               | φ      | 0       | 4    | 8    | 0           | 4    | 8    |
| Lead Thickness           | c      | .008    | .009 | .010 | 0.20        | 0.23 | 0.25 |
| Lead Width               | B      | .013    | .017 | .020 | 0.33        | 0.42 | 0.51 |
| Mold Draft Angle Top     | α      | 0       | 12   | 15   | 0           | 12   | 15   |
| Mold Draft Angle Bottom  | β      | 0       | 12   | 15   | 0           | 12   | 15   |

\* Controlling Parameter  
§ Significant Characteristic

Notes:  
Dimensions D and E1 do not include mold flash or protrusions. Mold flash or protrusions shall not exceed .010" (0.254mm) per side.  
JEDEC Equivalent: MS-012  
Drawing No. C04-057

## 8-Lead Plastic Small Outline (SM) – Medium, 208 mil Body (SOIJ) (JEITA/EIAJ Standard, Formerly called SOIC)

**Note:** For the most current package drawings, please see the Microchip Packaging Specification located at <http://www.microchip.com/packaging>



| Dimension Limits         | Units    | INCHES* |      |      | MILLIMETERS |      |      |
|--------------------------|----------|---------|------|------|-------------|------|------|
|                          |          | MIN     | NOM  | MAX  | MIN         | NOM  | MAX  |
| Number of Pins           | n        | 8       |      |      | 8           |      |      |
| Pitch                    | P        |         | .050 |      |             | 1.27 |      |
| Overall Height           | A        | .070    | .075 | .080 | 1.78        | 1.97 | 2.03 |
| Molded Package Thickness | A2       | .069    | .074 | .078 | 1.75        | 1.88 | 1.98 |
| Standoff                 | A1       | .002    | .005 | .010 | 0.05        | 0.13 | 0.25 |
| Overall Width            | E        | .300    | .313 | .325 | 7.62        | 7.95 | 8.26 |
| Molded Package Width     | E1       | .201    | .208 | .212 | 5.11        | 5.28 | 5.38 |
| Overall Length           | D        | .202    | .205 | .210 | 5.13        | 5.21 | 5.33 |
| Foot Length              | L        | .020    | .025 | .030 | 0.51        | 0.64 | 0.76 |
| Foot Angle               | $\phi$   | 0       | 4    | 8    | 0           | 4    | 8    |
| Lead Thickness           | c        | .008    | .009 | .010 | 0.20        | 0.23 | 0.25 |
| Lead Width               | B        | .014    | .017 | .020 | 0.36        | 0.43 | 0.51 |
| Mold Draft Angle Top     | $\alpha$ | 0       | 12   | 15   | 0           | 12   | 15   |
| Mold Draft Angle Bottom  | $\beta$  | 0       | 12   | 15   | 0           | 12   | 15   |

\*Controlling Parameter

Notes:

Dimensions D and E1 do not include mold flash or protrusions. Mold flash or protrusions shall not exceed .010" (0.254mm) per side.

Drawing No. C04-056

## APPENDIX A: REVISION HISTORY

### Revision J

Added note to page 1 header (Not recommended for new designs).

Added Section 4.0: Package Marking Information.

Added On-line Support page.

Updated document format.

### Revision K

Added a note to each package outline drawing.



## THE MICROCHIP WEB SITE

Microchip provides online support via our WWW site at [www.microchip.com](http://www.microchip.com). This web site is used as a means to make files and information easily available to customers. Accessible by using your favorite Internet browser, the web site contains the following information:

- **Product Support** – Data sheets and errata, application notes and sample programs, design resources, user's guides and hardware support documents, latest software releases and archived software
- **General Technical Support** – Frequently Asked Questions (FAQ), technical support requests, online discussion groups, Microchip consultant program member listing
- **Business of Microchip** – Product selector and ordering guides, latest Microchip press releases, listing of seminars and events, listings of Microchip sales offices, distributors and factory representatives

## CUSTOMER CHANGE NOTIFICATION SERVICE

Microchip's customer notification service helps keep customers current on Microchip products. Subscribers will receive e-mail notification whenever there are changes, updates, revisions or errata related to a specified product family or development tool of interest.

To register, access the Microchip web site at [www.microchip.com](http://www.microchip.com). Under "Support", click on "Customer Change Notification" and follow the registration instructions.

## CUSTOMER SUPPORT

Users of Microchip products can receive assistance through several channels:

- Distributor or Representative
- Local Sales Office
- Field Application Engineer (FAE)
- Technical Support

Customers should contact their distributor, representative or field application engineer (FAE) for support. Local sales offices are also available to help customers. A listing of sales offices and locations is included in the back of this document.

**Technical support is available through the web site at: <http://microchip.com/support>**

## READER RESPONSE

It is our intention to provide you with the best documentation possible to ensure successful use of your Microchip product. If you wish to provide your comments on organization, clarity, subject matter, and ways in which our documentation can better serve you, please FAX your comments to the Technical Publications Manager at (480) 792-4150.

Please list the following information, and use this outline to provide us with your comments about this document.

TO: Technical Publications Manager Total Pages Sent \_\_\_\_\_

RE: Reader Response

From: Name \_\_\_\_\_

Company \_\_\_\_\_

Address \_\_\_\_\_

City / State / ZIP / Country \_\_\_\_\_

Telephone: (\_\_\_\_\_) \_\_\_\_\_ - \_\_\_\_\_ FAX: (\_\_\_\_\_) \_\_\_\_\_ - \_\_\_\_\_

Application (optional):

Would you like a reply?  Y  N

Device: 93AA46/56/66

Literature Number: DS20067K

Questions:

1. What are the best features of this document?

\_\_\_\_\_  
\_\_\_\_\_

2. How does this document meet your hardware and software development needs?

\_\_\_\_\_  
\_\_\_\_\_

3. Do you find the organization of this document easy to follow? If not, why?

\_\_\_\_\_  
\_\_\_\_\_

4. What additions to the document do you think would enhance the structure and subject?

\_\_\_\_\_  
\_\_\_\_\_

5. What deletions from the document could be made without affecting the overall usefulness?

\_\_\_\_\_  
\_\_\_\_\_

6. Is there any incorrect or misleading information (what and where)?

\_\_\_\_\_  
\_\_\_\_\_

7. How would you improve this document?

\_\_\_\_\_  
\_\_\_\_\_

## PRODUCT IDENTIFICATION SYSTEM

To order or obtain information, e.g., on pricing or delivery, refer to the factory or the listed sales office.

| <u>PART NO.</u>   | <u>X</u>                        | <u>/XX</u>                                                                                                                       | <u>XXX</u> |
|-------------------|---------------------------------|----------------------------------------------------------------------------------------------------------------------------------|------------|
| Device            | Temperature Range               | Package                                                                                                                          | Pattern    |
| Device            | 93AA46/56/66:<br>93AA46/56/66X: | Microwire Serial EEPROM<br>Microwire Serial EEPROM in alternate pinouts (SN package only)                                        |            |
|                   | 93AA46T/56T/66T:                | Microwire Serial EEPROM (Tape and Reel)                                                                                          |            |
|                   | 93AA46XT/56XT/66XT:             | Microwire Serial EEPROM (Tape and Reel)                                                                                          |            |
| Temperature Range | Blank =                         | 0°C to +70°C                                                                                                                     |            |
| Package           | P =<br>SN =<br>SM =             | Plastic PDIP (300 mil Body), 8-lead<br>Plastic SOIC (150 mil Body), 8-lead<br>Plastic SOIC (208 mil Body), 8-lead (93AA46/56/66) |            |

## Sales and Support

### **Data Sheets**

Products supported by a preliminary Data Sheet may have an errata sheet describing minor operational differences and recommended workarounds. To determine if an errata sheet exists for a particular device, please contact one of the following:

1. Your local Microchip sales office
2. The Microchip Worldwide Site ([www.microchip.com](http://www.microchip.com))

Please specify which device, revision of silicon and Data Sheet (include Literature #) you are using.

### **New Customer Notification System**

Register on our web site ([www.microchip.com/cn](http://www.microchip.com/cn)) to receive the most current information on our products.

# PIC18FXXX

---

NOTES:

---

**Note the following details of the code protection feature on Microchip devices:**

- Microchip products meet the specification contained in their particular Microchip Data Sheet.
- Microchip believes that its family of products is one of the most secure families of its kind on the market today, when used in the intended manner and under normal conditions.
- There are dishonest and possibly illegal methods used to breach the code protection feature. All of these methods, to our knowledge, require using the Microchip products in a manner outside the operating specifications contained in Microchip's Data Sheets. Most likely, the person doing so is engaged in theft of intellectual property.
- Microchip is willing to work with the customer who is concerned about the integrity of their code.
- Neither Microchip nor any other semiconductor manufacturer can guarantee the security of their code. Code protection does not mean that we are guaranteeing the product as “unbreakable.”

Code protection is constantly evolving. We at Microchip are committed to continuously improving the code protection features of our products. Attempts to break Microchip's code protection feature may be a violation of the Digital Millennium Copyright Act. If such acts allow unauthorized access to your software or other copyrighted work, you may have a right to sue for relief under that Act.

---

Information contained in this publication regarding device applications and the like is provided only for your convenience and may be superseded by updates. It is your responsibility to ensure that your application meets with your specifications. MICROCHIP MAKES NO REPRESENTATIONS OR WARRANTIES OF ANY KIND WHETHER EXPRESS OR IMPLIED, WRITTEN OR ORAL, STATUTORY OR OTHERWISE, RELATED TO THE INFORMATION, INCLUDING BUT NOT LIMITED TO ITS CONDITION, QUALITY, PERFORMANCE, MERCHANTABILITY OR FITNESS FOR PURPOSE. Microchip disclaims all liability arising from this information and its use. Use of Microchip devices in life support and/or safety applications is entirely at the buyer's risk, and the buyer agrees to defend, indemnify and hold harmless Microchip from any and all damages, claims, suits, or expenses resulting from such use. No licenses are conveyed, implicitly or otherwise, under any Microchip intellectual property rights.

#### **Trademarks**

The Microchip name and logo, the Microchip logo, dsPIC, FlashFlex, KEELOQ, KEELOQ logo, MPLAB, PIC, PICmicro, PICSTART, PIC<sup>32</sup> logo, rPIC, SST, SST Logo, SuperFlash and UNI/O are registered trademarks of Microchip Technology Incorporated in the U.S.A. and other countries.

FilterLab, Hampshire, HI-TECH C, Linear Active Thermistor, MTP, SEEVAL and The Embedded Control Solutions Company are registered trademarks of Microchip Technology Incorporated in the U.S.A.

Silicon Storage Technology is a registered trademark of Microchip Technology Inc. in other countries.

Analog-for-the-Digital Age, Application Maestro, BodyCom, chipKIT, chipKIT logo, CodeGuard, dsPICDEM, dsPICDEM.net, dsPICworks, dsSPEAK, ECAN, ECONOMONITOR, FanSense, HI-TIDE, In-Circuit Serial Programming, ICSP, Mindi, MiWi, MPASM, MPF, MPLAB Certified logo, MPLIB, MPLINK, mTouch, Omniclient Code Generation, PICC, PICC-18, PICDEM, PICDEM.net, PICkit, PICTail, REAL ICE, rLAB, Select Mode, SQI, Serial Quad I/O, Total Endurance, TSHARC, UniWinDriver, WiperLock, ZENA and Z-Scale are trademarks of Microchip Technology Incorporated in the U.S.A. and other countries.

SQTP is a service mark of Microchip Technology Incorporated in the U.S.A.

GestIC and ULPP are registered trademarks of Microchip Technology Germany II GmbH & Co. & KG, a subsidiary of Microchip Technology Inc., in other countries.

All other trademarks mentioned herein are property of their respective companies.

© 1998-2012, Microchip Technology Incorporated, Printed in the U.S.A., All Rights Reserved.

 Printed on recycled paper.

ISBN: 9781620767320

**QUALITY MANAGEMENT SYSTEM**  
**CERTIFIED BY DNV**  
**== ISO/TS 16949 ==**

*Microchip received ISO/TS-16949:2009 certification for its worldwide headquarters, design and wafer fabrication facilities in Chandler and Tempe, Arizona; Gresham, Oregon and design centers in California and India. The Company's quality system processes and procedures are for its PIC<sup>®</sup> MCUs and dsPIC<sup>®</sup> DSCs, KEELOQ<sup>®</sup> code hopping devices, Serial EEPROMs, microperipherals, nonvolatile memory and analog products. In addition, Microchip's quality system for the design and manufacture of development systems is ISO 9001:2000 certified.*



# MICROCHIP

## Worldwide Sales and Service

### AMERICAS

**Corporate Office**  
2355 West Chandler Blvd.  
Chandler, AZ 85224-6199  
Tel: 480-792-7200  
Fax: 480-792-7277  
Technical Support:  
<http://www.microchip.com/support>  
Web Address:  
[www.microchip.com](http://www.microchip.com)

**Atlanta**  
Duluth, GA  
Tel: 678-957-9614  
Fax: 678-957-1455

**Boston**  
Westborough, MA  
Tel: 774-760-0087  
Fax: 774-760-0088

**Chicago**  
Itasca, IL  
Tel: 630-285-0071  
Fax: 630-285-0075

**Cleveland**  
Independence, OH  
Tel: 216-447-0464  
Fax: 216-447-0643

**Dallas**  
Addison, TX  
Tel: 972-818-7423  
Fax: 972-818-2924

**Detroit**  
Farmington Hills, MI  
Tel: 248-538-2250  
Fax: 248-538-2260

**Indianapolis**  
Noblesville, IN  
Tel: 317-773-8323  
Fax: 317-773-5453

**Los Angeles**  
Mission Viejo, CA  
Tel: 949-462-9523  
Fax: 949-462-9608

**Santa Clara**  
Santa Clara, CA  
Tel: 408-961-6444  
Fax: 408-961-6445

**Toronto**  
Mississauga, Ontario,  
Canada  
Tel: 905-673-0699  
Fax: 905-673-6509

### ASIA/PACIFIC

**Asia Pacific Office**  
Suites 3707-14, 37th Floor  
Tower 6, The Gateway  
Harbour City, Kowloon  
Hong Kong  
Tel: 852-2401-1200  
Fax: 852-2401-3431

**Australia - Sydney**  
Tel: 61-2-9868-6733  
Fax: 61-2-9868-6755

**China - Beijing**  
Tel: 86-10-8569-7000  
Fax: 86-10-8528-2104

**China - Chengdu**  
Tel: 86-28-8665-5511  
Fax: 86-28-8665-7889

**China - Chongqing**  
Tel: 86-23-8980-9588  
Fax: 86-23-8980-9500

**China - Hangzhou**  
Tel: 86-571-2819-3187  
Fax: 86-571-2819-3189

**China - Hong Kong SAR**  
Tel: 852-2401-1200  
Fax: 852-2401-3431

**China - Nanjing**  
Tel: 86-25-8473-2460  
Fax: 86-25-8473-2470

**China - Qingdao**  
Tel: 86-532-8502-7355  
Fax: 86-532-8502-7205

**China - Shanghai**  
Tel: 86-21-5407-5533  
Fax: 86-21-5407-5066

**China - Shenyang**  
Tel: 86-24-2334-2829  
Fax: 86-24-2334-2393

**China - Shenzhen**  
Tel: 86-755-8203-2660  
Fax: 86-755-8203-1760

**China - Wuhan**  
Tel: 86-27-5980-5300  
Fax: 86-27-5980-5118

**China - Xian**  
Tel: 86-29-8833-7252  
Fax: 86-29-8833-7256

**China - Xiamen**  
Tel: 86-592-2388138  
Fax: 86-592-2388130

**China - Zhuhai**  
Tel: 86-756-3210040  
Fax: 86-756-3210049

### ASIA/PACIFIC

**India - Bangalore**  
Tel: 91-80-3090-4444  
Fax: 91-80-3090-4123

**India - New Delhi**  
Tel: 91-11-4160-8631  
Fax: 91-11-4160-8632

**India - Pune**  
Tel: 91-20-2566-1512  
Fax: 91-20-2566-1513

**Japan - Osaka**  
Tel: 81-66-152-7160  
Fax: 81-66-152-9310

**Japan - Yokohama**  
Tel: 81-45-471-6166  
Fax: 81-45-471-6122

**Korea - Daegu**  
Tel: 82-53-744-4301  
Fax: 82-53-744-4302

**Korea - Seoul**  
Tel: 82-2-554-7200  
Fax: 82-2-558-5932 or  
82-2-558-5934

**Malaysia - Kuala Lumpur**  
Tel: 60-3-6201-9857  
Fax: 60-3-6201-9859

**Malaysia - Penang**  
Tel: 60-4-227-8870  
Fax: 60-4-227-4068

**Philippines - Manila**  
Tel: 63-2-634-9065  
Fax: 63-2-634-9069

**Singapore**  
Tel: 65-6334-8870  
Fax: 65-6334-8850

**Taiwan - Hsin Chu**  
Tel: 886-3-5778-366  
Fax: 886-3-5770-955

**Taiwan - Kaohsiung**  
Tel: 886-7-213-7828  
Fax: 886-7-330-9305

**Taiwan - Taipei**  
Tel: 886-2-2508-8600  
Fax: 886-2-2508-0102

**Thailand - Bangkok**  
Tel: 66-2-694-1351  
Fax: 66-2-694-1350

### EUROPE

**Austria - Wels**  
Tel: 43-7242-2244-39  
Fax: 43-7242-2244-393

**Denmark - Copenhagen**  
Tel: 45-4450-2828  
Fax: 45-4485-2829

**France - Paris**  
Tel: 33-1-69-53-63-20  
Fax: 33-1-69-30-90-79

**Germany - Munich**  
Tel: 49-89-627-144-0  
Fax: 49-89-627-144-44

**Italy - Milan**  
Tel: 39-0331-742611  
Fax: 39-0331-466781

**Netherlands - Drunen**  
Tel: 31-416-690399  
Fax: 31-416-690340

**Spain - Madrid**  
Tel: 34-91-708-08-90  
Fax: 34-91-708-08-91

**UK - Wokingham**  
Tel: 44-118-921-5869  
Fax: 44-118-921-5820

10/26/12

Компания «Океан Электроники» предлагает заключение долгосрочных отношений при поставках импортных электронных компонентов на взаимовыгодных условиях!

Наши преимущества:

- Поставка оригинальных импортных электронных компонентов напрямую с производств Америки, Европы и Азии, а так же с крупнейших складов мира;
- Широкая линейка поставок активных и пассивных импортных электронных компонентов (более 30 млн. наименований);
- Поставка сложных, дефицитных, либо снятых с производства позиций;
- Оперативные сроки поставки под заказ (от 5 рабочих дней);
- Экспресс доставка в любую точку России;
- Помощь Конструкторского Отдела и консультации квалифицированных инженеров;
- Техническая поддержка проекта, помощь в подборе аналогов, поставка прототипов;
- Поставка электронных компонентов под контролем ВП;
- Система менеджмента качества сертифицирована по Международному стандарту ISO 9001;
- При необходимости вся продукция военного и аэрокосмического назначения проходит испытания и сертификацию в лаборатории (по согласованию с заказчиком);
- Поставка специализированных компонентов военного и аэрокосмического уровня качества (Xilinx, Altera, Analog Devices, Intersil, Interpoint, Microsemi, Actel, Aeroflex, Peregrine, VPT, Syfer, Eurofarad, Texas Instruments, MS Kennedy, Miteq, Cobham, E2V, MA-COM, Hittite, Mini-Circuits, General Dynamics и др.);

Компания «Океан Электроники» является официальным дистрибьютором и эксклюзивным представителем в России одного из крупнейших производителей разъемов военного и аэрокосмического назначения «**JONHON**», а так же официальным дистрибьютором и эксклюзивным представителем в России производителя высокотехнологичных и надежных решений для передачи СВЧ сигналов «**FORSTAR**».



## JONHON

«**JONHON**» (основан в 1970 г.)

Разъемы специального, военного и аэрокосмического назначения:

(Применяются в военной, авиационной, аэрокосмической, морской, железнодорожной, горно- и нефтедобывающей отраслях промышленности)

«**FORSTAR**» (основан в 1998 г.)

ВЧ соединители, коаксиальные кабели,  
кабельные сборки и микроволновые компоненты:

(Применяются в телекоммуникациях гражданского и специального назначения, в средствах связи, РЛС, а так же военной, авиационной и аэрокосмической отраслях промышленности).



Телефон: 8 (812) 309-75-97 (многоканальный)

Факс: 8 (812) 320-03-32

Электронная почта: [ocean@oceanchips.ru](mailto:ocean@oceanchips.ru)

Web: <http://oceanchips.ru/>

Адрес: 198099, г. Санкт-Петербург, ул. Калинина, д. 2, корп. 4, лит. А