

### 600mA\* Step-down DC/DC Converter with Synchronous Rectifier

NO.EA-155-111124

#### OUTLINE

The RP500x Series are CMOS-based 600mA\* step-down DC/DC Converters with synchronous rectifier.

Each of these ICs consists of an oscillator, a switching control circuit, a reference voltage unit, an error amplifier, a soft-start circuit, protection circuits, UVLO circuit, switching transistors, and so on. A low ripple, high efficiency step-down DC/DC converter can be easily composed of this IC with only an inductor and capacitors.

In terms of the output voltage, since the feedback resistances are built-in, the voltage is fixed internally. 0.1V step output can be set by laser-trim and 1.5% or 24mV tolerance depending on the output voltage is guaranteed. Mode alternative circuit works automatically for improving the efficiency. Considering fixed noise frequency, PWM fixed control type is also available.

As protection circuits, the current limit circuit which limits peak current of Lx at each clock cycle, and the latch type protection circuit which works if the term of the over-current condition keeps on a certain time exist. The latch-type protection circuit works to latch an internal driver with keeping it disable. To release the condition of the protection, after disabling this IC with a chip enable circuit, enable it again, or restart this IC with power-on or make the supply voltage at UVLO detector threshold level or lower than UVLO.

Since packages are WLCSP-6-P2, DFN1616-6, DFN(PLP)1820-6, SOT-23-6W, high density mounting on boards is possible.

\*)This is an approximate value, because output current depends on conditions and external parts.

#### FEATURES

- Supply Current ..... Typ. 400 $\mu$ A (at PWM mode)  
Typ. 100 $\mu$ A (at VFM mode)
- Standby Current ..... Max. 5 $\mu$ A
- Input Voltage Range ..... 2.55V to 5.50V
- Output Voltage Range ..... 1.1V to 3.3V (0.1V steps)  
(For other voltages, please refer to MARK INFORMATIONS.)
- Output Voltage Accuracy .....  $\pm 1.5\%$  ( $V_{OUT} \geq 1.6V$ ),  $\pm 24mV$  ( $V_{OUT} < 1.6V$ )
- Temperature-Drift Coefficient of Output Voltage ... Typ.  $\pm 100ppm/^{\circ}C$
- Oscillator Frequency ..... Typ. 1.2MHz
- Oscillator Maximum Duty Cycle ..... Min. 100%
- Built-in Driver ON Resistance ..... Typ. Pch. 0.3 $\Omega$ , Nch. 0.38 $\Omega$  ( $V_{IN} = 3.6V$ )
- UVLO Detector Threshold ..... Typ. 2.2V
- Soft Start Time ..... Typ. 120 $\mu$ s
- Lx Current Limit ..... Typ. 900mA
- Latch type Protection Circuit ..... Typ. 1.5ms
- Two choices of Switching Mode ..... Automatic PWM/VFM mode change / PWM fixed
- Packages ..... WLCSP-6-P2, DFN1616-6, DFN(PLP)1820-6, SOT-23-6W

#### APPLICATIONS

- Power source for battery-powered equipment.
- Power source for hand-held communication equipment, cameras, VCRs, camcorders.
- Power source for HDD, portable equipment.

RP500x

BLOCK DIAGRAMS

RP500xxx1A/2A



\*) only RP500xxx1A for automatic PWM/VFM mode change

RP500xxx3A/4A



\*) only RP500xxx3A for automatic PWM/VFM mode change

\* RP500Z (WLCSP-6-P2) is the non-promotion product. As of March in 2014.

RP500x

## SELECTION GUIDE

The output voltage, switching mode, and auto discharge function for the ICs can be selected at the user's request.

| Product Name     | Package        | Quantity per Reel | Pb Free | Halogen Free |
|------------------|----------------|-------------------|---------|--------------|
| RP500Zxx*A-E2-F  | WLCSP-6-P2     | 5,000 pcs         | Yes     | Yes          |
| RP500Lxx*A-TR    | DFN1616-6      | 5,000 pcs         | Yes     | Yes          |
| RP500Kxx*A-TR    | DFN(PLP)1820-6 | 5,000 pcs         | Yes     | Yes          |
| RP500Nxx*A-TR-FE | SOT-23-6W      | 3,000 pcs         | Yes     | Yes          |

xx: The output voltage can be designated in the range from 1.1V(11) to 3.3V(33) in 0.1V steps<sup>\*1</sup>.  
(For other voltages, please refer to MARK INFORMATIONS.)

\* : The switching mode, and auto discharge function can be designated.

| Code | Modulation method      | Auto discharge function |
|------|------------------------|-------------------------|
| 1    | PWM/VFM auto switching | No                      |
| 2    | PWM fixed              | No                      |
| 3    | PWM/VFM auto switching | Yes                     |
| 4    | PWM fixed              | Yes                     |

(The RP500Kxx3A does not exist. Please use RP500Lxx3A.)

\*1) 0.05V step is also available as a custom code.

## PIN CONFIGURATIONS



## PIN DESCRIPTIONS

• **WLCSP-6-P2, SOT-23-6W**

| Pin No | Symbol    | Pin Description              |
|--------|-----------|------------------------------|
| 1      | $V_{OUT}$ | Output Pin                   |
| 2      | PGND      | Ground Pin                   |
| 3      | Lx        | Lx Switching Pin             |
| 4      | $V_{IN}$  | Input Pin                    |
| 5      | AGND      | Ground Pin                   |
| 6      | CE        | Chip Enable Pin ("H" Active) |

• **DFN1616-6, DFN(PLP)1820-6**

| Pin No | Symbol    | Pin Description              |
|--------|-----------|------------------------------|
| 1      | CE        | Chip Enable Pin ("H" Active) |
| 2      | AGND      | Ground Pin                   |
| 3      | $V_{IN}$  | Input Pin                    |
| 4      | Lx        | Lx Switching Pin             |
| 5      | PGND      | Ground Pin                   |
| 6      | $V_{OUT}$ | Output Pin                   |

\*) Tab is GND level. (They are connected to the reverse side of this IC.)  
 The tab is better to be connected to the GND, but leaving it open is also acceptable.

\* RP500Z (WLCSP-6-P2) is the non-promotion product. As of March in 2014.

RP500x

## ABSOLUTE MAXIMUM RATINGS

AGND=PGND=0V

| Symbol    | Item                                 | Rating               | Unit |
|-----------|--------------------------------------|----------------------|------|
| $V_{IN}$  | Input Voltage                        | -0.3 to 6.5          | V    |
| $V_{Lx}$  | Lx pin Voltage                       | -0.3 to $V_{IN}+0.3$ | V    |
| $V_{CE}$  | CE Pin Input Voltage                 | -0.3 to 6.5          | V    |
| $V_{OUT}$ | Output Voltage                       | -0.3 to 6.5          | V    |
| $I_{Lx}$  | Lx Pin Output Current                | 800                  | mA   |
| $P_D$     | Power Dissipation (WLCSP-6-P2) *     | 650                  | mW   |
|           | Power Dissipation (DFN1616-6) *      | 640                  |      |
|           | Power Dissipation (DFN(PLP)1820-6) * | 880                  |      |
|           | Power Dissipation (SOT-23-6W) *      | 430                  |      |
| $T_{opt}$ | Operating Temperature Range          | -40 to 85            | °C   |
| $T_{stg}$ | Storage Temperature Range            | -55 to 125           | °C   |

\*) For Power Dissipation, please refer to PACKAGE INFORMATION.

### ABSOLUTE MAXIMUM RATINGS

Electronic and mechanical stress momentarily exceeded absolute maximum ratings may cause the permanent damages and may degrade the life time and safety for both device and system using the device in the field. The functional operation at or over these absolute maximum ratings is not assured.

## RP500x

### ELECTRICAL CHARACTERISTICS

• RP500x

T<sub>opt</sub>=25°C

| Symbol                               | Item                                   | Conditions  | Min.                    | Typ.   | Max.   | Unit    |    |
|--------------------------------------|--|---|-------------------------|--------|--------|---------|----|
| V <sub>IN</sub>                      | Operating Input Voltage                |   | 2.55                    |        | 5.5    | V       |    |
| V <sub>OUT</sub>                     | Output Voltage                         | V <sub>IN</sub> =V <sub>CE</sub> =3.6V<br>or Set V <sub>OUT</sub> +1V | V <sub>OUT</sub> ≥ 1.6V | ×0.985 | ×1.015 | V       |    |
|                                      |  |   | V <sub>OUT</sub> < 1.6V | -24    | 24     | mV      |    |
| ΔV <sub>OUT</sub> /ΔT <sub>opt</sub> | Output Voltage Temperature Coefficient | -40°C ≤ T <sub>opt</sub> ≤ 85°C                                       |                         | ±100   |        | ppm /°C |    |
| f <sub>osc</sub>                     | Oscillator Frequency                   | V <sub>IN</sub> =V <sub>CE</sub> =3.6V or Set V <sub>OUT</sub> +1V    | 0.96                    | 1.2    | 1.44   | MHz     |    |
| I <sub>DD1</sub>                     | Supply Current 1                       | V <sub>IN</sub> =V <sub>CE</sub> =5.5V, V <sub>OUT</sub> =0V          |                         | 400    | 500    | μA      |    |
| I <sub>DD2</sub>                     | Supply Current 2                       | V <sub>IN</sub> =V <sub>CE</sub> =V <sub>OUT</sub><br>=5.5V           | PWM/VFM                 |        | 100    | 160     | μA |
|                                      |  |   | PWM fixed               |        | 400    | 500     |    |
| I <sub>standby</sub>                 | Standby Current                        | V <sub>IN</sub> =5.5V, V <sub>CE</sub> =0V                            |                         | 0      | 5      | μA      |    |
| R <sub>ONP</sub>                     | ON Resistance of Pch Tr.               | V <sub>IN</sub> =3.6V, I <sub>LX</sub> =-100mA                        |                         | 0.3    |        | Ω       |    |
| R <sub>ONN</sub>                     | ON Resistance of Nch Tr.               | V <sub>IN</sub> =3.6V, I <sub>LX</sub> =-100mA                        |                         | 0.38   |        | Ω       |    |
| I <sub>LXleakH</sub>                 | Lx Leakage Current "H"                 | V <sub>IN</sub> =V <sub>LX</sub> =5.5V, V <sub>CE</sub> =0V           | -1                      | 0      | 5      | μA      |    |
| I <sub>LXleakL</sub>                 | Lx Leakage Current "L"                 | V <sub>IN</sub> =5.5V, V <sub>CE</sub> =V <sub>LX</sub> =0V           | -5                      | 0      | 1      | μA      |    |
| I <sub>VOUTH</sub>                   | V <sub>OUT</sub> "H" Input Current *1  | V <sub>IN</sub> =V <sub>OUT</sub> =5.5V, V <sub>CE</sub> =0V          | -1                      | 0      | 1      | μA      |    |
| I <sub>VOUTL</sub>                   | V <sub>OUT</sub> "L" Input Current     | V <sub>IN</sub> =5.5V, V <sub>CE</sub> =V <sub>OUT</sub> =0V          | -1                      | 0      | 1      | μA      |    |
| I <sub>CEH</sub>                     | CE "H" Input Current                   | V <sub>IN</sub> =V <sub>CE</sub> =5.5V                                | -1                      | 0      | 1      | μA      |    |
| I <sub>CEL</sub>                     | CE "L" Input Current                   | V <sub>IN</sub> =5.5V, V <sub>CE</sub> =0V                            | -1                      | 0      | 1      | μA      |    |
| V <sub>CEH</sub>                     | CE Input Voltage "H"                   | V <sub>IN</sub> =5.5V   | 1.0                     |        |        | V       |    |
| V <sub>CEL</sub>                     | CE Input Voltage "L"                   | V <sub>IN</sub> =5.5V   |                         |        | 0.4    | V       |    |
| Maxduty                              | Oscillator Maximum Duty Cycle          |   | 100                     |        |        | %       |    |
| t <sub>start</sub>                   | Soft-start Time                        | V <sub>IN</sub> =V <sub>CE</sub> =3.6V or Set V <sub>OUT</sub> +1V    |                         | 120    | 150    | μs      |    |
| I <sub>LXlim</sub>                   | Lx Current Limit                       | V <sub>IN</sub> =V <sub>CE</sub> =3.6V or Set V <sub>OUT</sub> +1V    | 600                     | 900    |        | mA      |    |
| t <sub>prot</sub>                    | Protection Delay Time                  | V <sub>IN</sub> =V <sub>CE</sub> =3.6V or Set V <sub>OUT</sub> +1V    | 0.5                     | 1.5    | 5.0    | ms      |    |
| V <sub>UVLO1</sub>                   | UVLO Detector Threshold                | V <sub>IN</sub> =V <sub>CE</sub>                                      | 2.1                     | 2.2    | 2.3    | V       |    |
| V <sub>UVLO2</sub>                   | UVLO Released Voltage                  | V <sub>IN</sub> =V <sub>CE</sub>                                      | 2.2                     | 2.3    | 2.4    | V       |    |
| R <sub>LOW</sub>                     | Low Output Nch Tr. ON Resistance *2    | V <sub>IN</sub> =3.6V, V <sub>CE</sub> =0V                            |                         | 80     |        | Ω       |    |

Test circuit is "OPEN LOOP" and AGND=PGND=0V unless otherwise noted.

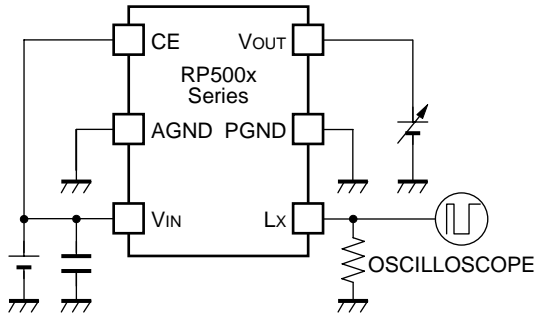
\*1) without auto discharge version only

\*2) with auto discharge version only

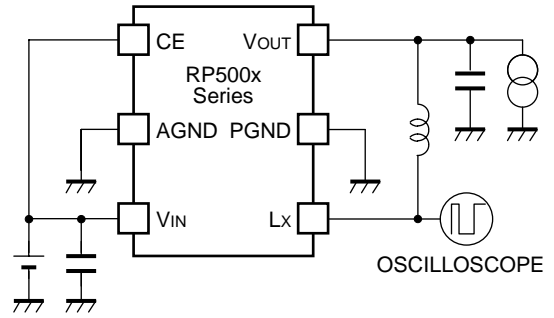
#### RECOMMENDED OPERATING CONDITIONS (ELECTRICAL CHARACTERISTICS)

All of electronic equipment should be designed that the mounted semiconductor devices operate within the recommended operating conditions. The semiconductor devices cannot operate normally over the recommended operating conditions, even if when they are used over such conditions by momentary electronic noise or surge. And the semiconductor devices may receive serious damage when they continue to operate over the recommended operating conditions.

## TEST CIRCUITS



Output Voltage



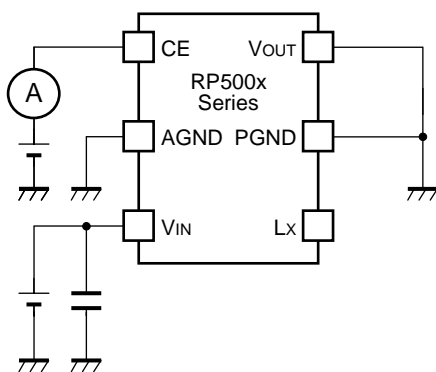
Oscillator Frequency



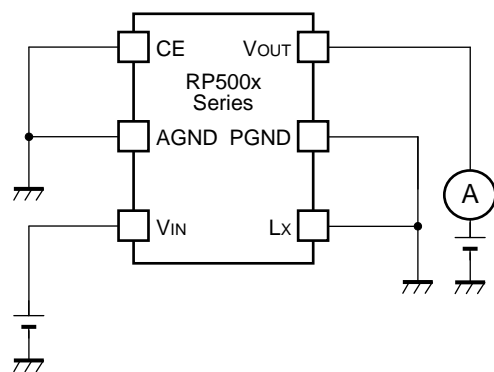
Supply Current 1,2



Standby Current



CE "H"/"L" Input Current



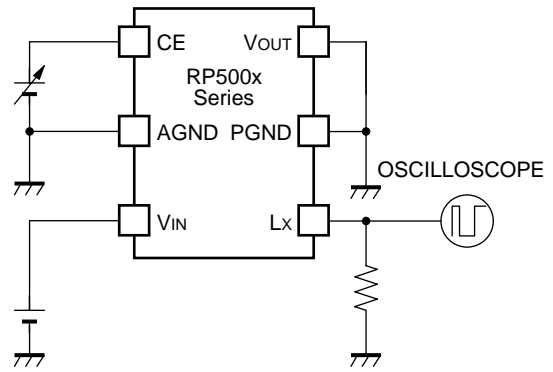
VOUT "H"/"L" Current

\* RP500Z (WLCSP-6-P2) is the non-promotion product. As of March in 2014.

**RP500x**



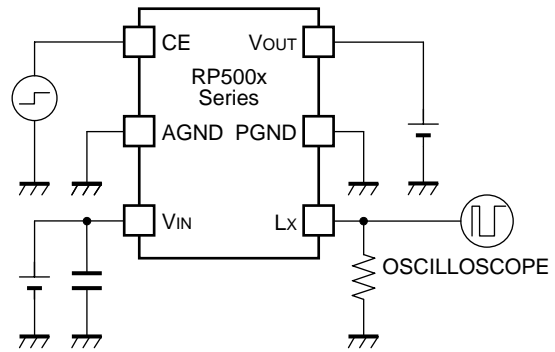
**Lx Leakage Current**



**CE Input Voltage**



**Pch • Nch transistor ON resistance /  
Output Delay for Protection / Lx Current limit**



**Soft-start Time**



**UVLO Detector Threshold • Released Voltage**



## TYPICAL APPLICATION



| Symbol           | Parts Recommendation |                   |                     |
|------------------|----------------------|-------------------|---------------------|
| C <sub>IN</sub>  | 10µF                 | Ceramic           | C2012JB0J106K (TDK) |
| C <sub>OUT</sub> | 10µF                 | Ceramic           | C2012JB0J106K (TDK) |
| L                | 4.7µH                | VLF3010AT-4R7MR30 |                     |

## TECHNICAL NOTES

When using these ICs, consider the following points:

- Set the same level as AGND and PGND.
- Set external components such as an inductor, C<sub>IN</sub>, C<sub>OUT</sub> as close as possible to the IC, in particular, minimize the wiring to V<sub>IN</sub> pin and PGND pin. Reinforce the V<sub>IN</sub>, PGND, and V<sub>OUT</sub> lines sufficiently. Large switching current may flow in these lines. If the impedance of V<sub>IN</sub> and PGND lines is too large, the internal voltage level in this IC may shift caused by the switching current, and the operation might be unstable. The wiring between V<sub>OUT</sub> and load and between L and V<sub>OUT</sub> should be separated.
- Use an external capacitor C<sub>IN</sub> between V<sub>IN</sub> and GND, and C<sub>OUT</sub> with a capacity of 10µF or more ceramic type.
- Choose an inductor with inductance range from 4.7µH to 10µH. The phase compensation has been made by these values with output capacitors. The recommendation characteristics of the inductor are low DC resistance, large enough permissible current, and strong against the magnetic saturation. Inductance value may shift depending on an inductor. If the inductance value at an actual load current is low, L<sub>x</sub> peak current may increase and may overlap the L<sub>x</sub> current limit. As a result, over current protection may work.
- Over current protection circuit may be affected by self-heating and heat radiation environment.

\*The performance of power source circuits using these ICs extremely depends upon the peripheral circuits. Pay attention in the selection of the peripheral circuits. In particular, design the peripheral circuits in a way that the values such as voltage, current, and power of each component, PCB patterns and the IC do not exceed their respected rated values. (such as the voltage, current, and power)

RP500x

## Operation of step-down DC/DC converter and Output Current

The DC/DC converter charges energy in the inductor when Lx transistor is ON, and discharges the energy from the inductor when Lx transistor is OFF and controls with less energy loss, so that a lower output voltage than the input voltage is obtained. The operation will be explained with reference to the following diagrams:



- Step 1: Pch Tr. turns on and current  $I_L (=i_1)$  flows, and energy is charged into CL. At this moment,  $I_L$  increases from  $I_{Lmin} (=0)$  to reach  $I_{Lmax}$  in proportion to the on-time period ( $t_{on}$ ) of Pch Tr.
- Step 2: When Pch Tr. turns off, Synchronous rectifier Nch Tr. turns on in order that L maintains  $I_L$  at  $I_{Lmax}$ , and current  $I_L (=i_2)$  flows.
- Step 3:  $I_L (=i_2)$  decreases gradually and reaches  $I_L = I_{Lmin} = 0$  after a time period of  $t_{open}$ , and Nch Tr. turns off. Provided that in the continuous mode, next cycle starts before  $I_L$  becomes to 0 because  $t_{off}$  time is not enough. In this case,  $I_L$  value increases from this  $I_{Lmin} (>0)$ .

In the case of PWM control system, the output voltage is maintained by controlling the on-time period ( $t_{on}$ ), with the oscillator frequency ( $f_{osc}$ ) being maintained constant.

The maximum value ( $I_{Lmax}$ ) and the minimum value ( $I_{Lmin}$ ) of the current flowing through the inductor are the same as those when Pch Tr. turns on and off.

The difference between  $I_{Lmax}$  and  $I_{Lmin}$ , which is represented by  $\Delta I$ :

$$\Delta I = I_{Lmax} - I_{Lmin} = V_{OUT} \times t_{open} / L = (V_{IN} - V_{OUT}) \times t_{on} / L \dots\dots\dots \text{Equation 1}$$

wherein,

$$T = 1 / f_{osc} = t_{on} + t_{off}$$

$$\text{duty (\%)} = t_{on} / T \times 100 = t_{on} \times f_{osc} \times 100$$

$$t_{open} \leq t_{off}$$

In Equation 1,  $V_{OUT} \times t_{open} / L$  and  $(V_{IN} - V_{OUT}) \times t_{on} / L$  respectively show the change of the current at "ON", and the change of the current at "OFF".

## Discontinuous mode and Continuous mode

When the output current ( $I_{OUT}$ ) is relatively small,  $t_{open} < t_{off}$  as illustrated in the following diagram. In this case, the energy is charged in the inductor during the time period of  $t_{on}$  and is discharged in its entirety during the time period of  $t_{off}$ , therefore  $I_{Lmin}$  becomes to zero ( $I_{Lmin}=0$ ). When  $I_{OUT}$  is gradually increased, eventually,  $t_{open}$  becomes to  $t_{off}$  ( $t_{open}=t_{off}$ ), and when  $I_{OUT}$  is further increased,  $I_{Lmin}$  becomes larger than zero ( $I_{Lmin}>0$ ). The former mode is referred to as the discontinuous mode and the latter mode is referred to as continuous mode.



In the continuous mode, when Equation 1 is solved for  $t_{on}$  and assumed that the solution is  $t_{onc}$ ,

$$t_{onc} = T \times V_{OUT} / V_{IN} \dots \dots \dots \text{Equation 2}$$

When  $t_{on} < t_{onc}$ , the mode is the discontinuous mode, and when  $t_{on} = t_{onc}$ , the mode is the continuous mode.

## Output Current and selection of External components

The relation between the output current and external components is as follows:

When Pch Tr. of  $L_x$  is ON:

(Wherein, Ripple Current p-p value is described as  $I_{RP}$ , ON resistance of Pch Tr. and Nch Tr. of  $L_x$  are respectively described as  $R_{ONP}$  and  $R_{ONN}$ , and the DC resistor of the inductor is described as  $R_L$ .)

$$V_{IN} = V_{OUT} + (R_{ONP} + R_L) \times I_{OUT} + L \times I_{RP} / t_{on} \dots \dots \dots \text{Equation 3}$$

When Pch Tr. of  $L_x$  is "OFF" (Nch Tr. is "ON"):

$$L \times I_{RP} / t_{off} = R_{ONN} \times I_{OUT} + V_{OUT} + R_L \times I_{OUT} \dots \dots \dots \text{Equation 4}$$

Put Equation 4 to Equation 3 and solve for ON duty of Pch transistor,  $D_{ON} = t_{on} / (t_{off} + t_{on})$ ,

$$D_{ON} = (V_{OUT} + R_{ONN} \times I_{OUT} + R_L \times I_{OUT}) / (V_{IN} + R_{ONN} \times I_{OUT} - R_{ONP} \times I_{OUT}) \dots \dots \dots \text{Equation 5}$$

\* RP500Z (WLCSP-6-P2) is the non-promotion product. As of March in 2014.

---

## RP500x

---

Ripple Current is as follows:

$$I_{RP} = (V_{IN} - V_{OUT} - R_{ONP} \times I_{OUT} - R_L \times I_{OUT}) \times D_{ON} / f_{osc} / L \dots \dots \dots \text{Equation 6}$$

wherein, peak current that flows through L, and Lx Tr. is as follows:

$$I_{Lx\max} = I_{OUT} + I_{RP} / 2 \dots \dots \dots \text{Equation 7}$$

Consider  $I_{Lx\max}$ , condition of input and output and select external components.

\*The above explanation is directed to the calculation in an ideal case in continuous mode.

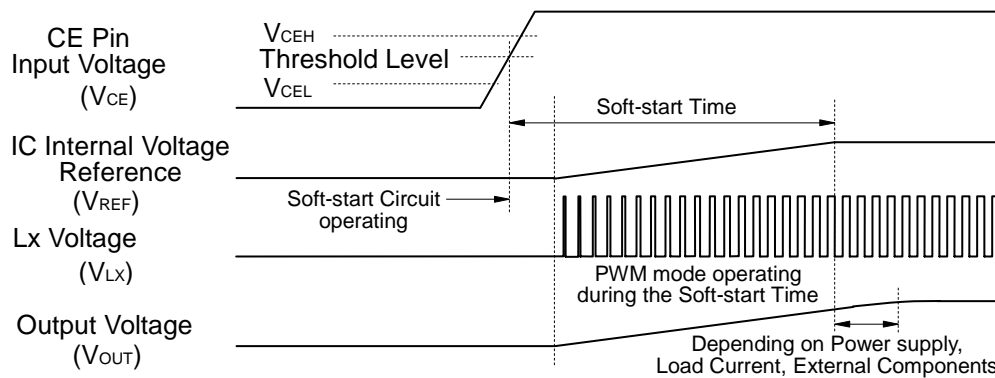
## TIMING CHART

### (1) Soft Start Time

- In the case of starting this IC with CE

In the case of starting this IC with CE, the operation can be as in the timing chart below.

When the voltage of CE pin ( $V_{CE}$ ) is beyond the threshold level, the operation of the IC starts. The threshold voltage of CE pin is in between CE "H" input voltage ( $V_{CEH}$ ) and CE "L" input voltage ( $V_{CEL}$ ) described in the electrical characteristics table. Soft-start circuit operates, and after the certain time, the reference voltage inside the IC ( $V_{REF}$ ) is rising gradually up to the constant value.



Soft-start time is the time interval from soft start circuit starting point to the reference voltage level reaching point up to this constant level.

\*Soft start time is not always equal to the turn-on speed of DC/DC converter.

The power supply capacity for this IC, load current, inductance and capacitance values affect the turn-on speed.

- In the case of starting with power supply

In the case of starting with power supply, when the input voltage ( $V_{IN}$ ) is larger than UVLO released voltage ( $V_{UVLO2}$ ), soft start circuit operates, and after that, the same explanation above is applied to the operation.

Soft-start time is the time interval from soft start circuit starting point to the reference voltage level reaching point up to this constant level.



\*Turn-on speed is affected by next conditions;

- Input Voltage ( $V_{IN}$ ) rising speed depending on the power supplier to the IC and input capacitor  $C_{IN}$ .
- Output Capacitor  $C_{OUT}$  value and load current value.

## RP500x

### (2) Under Voltage Lockout (UVLO) Circuit

The step-down DC/DC converter stops and ON duty becomes 100%, if input voltage ( $V_{IN}$ ) becomes less than the set output voltage (Set  $V_{OUT}$ ), the output voltage ( $V_{OUT}$ ) gradually drops according to the input voltage ( $V_{IN}$ ). If the input voltage drops more and becomes less than UVLO detector threshold ( $V_{UVLO1}$ ), the under voltage lockout circuit (UVLO) operates, the IC internal reference voltage ( $V_{REF}$ ) stops, switching transistors turn off and the output voltage drops according to the load and output capacitor  $C_{OUT}$  value. To restart the normal operation, the input voltage ( $V_{IN}$ ) must be more than the UVLO released voltage ( $V_{UVLO2}$ ).

The timing chart below describes the operation with varying the input voltage ( $V_{IN}$ ).



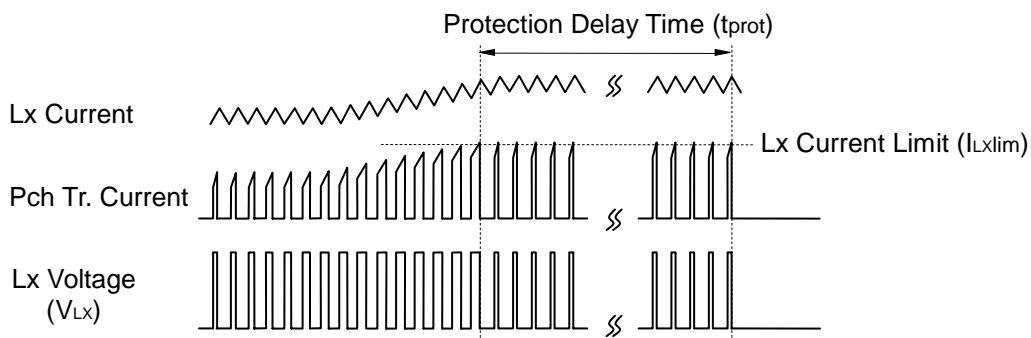
\*Actually, the waveform of  $V_{OUT}$  at UVLO working and releasing varies depending on the initial voltage of  $C_{OUT}$  and load current situation.

### (3) Over Current Protection Circuit, Latch Type Protection Circuit

Over current protection circuit supervises the coil peak current (the current flowing Pch transistor) at each switching cycle, and if the current beyond the Lx current limit ( $I_{Lxlim}$ ), Pch transistor is turned off. the Lx current limit of RP500x is Typ.900mA.

Further, if the over current status continues equal or longer than protection delay time, or, when the Lx limit current is exceeded even once when the driver operates by duty 100%, a built-in driver is latched in the OFF state and the operation of DC/DC converter stops.

\*Lx current limit and protection delay time is affected by self-heating and ambient environment. If the output is short and the input voltage ( $V_{IN}$ ) is drastically dropped or becomes unstable, the protection operation and delay time may vary.

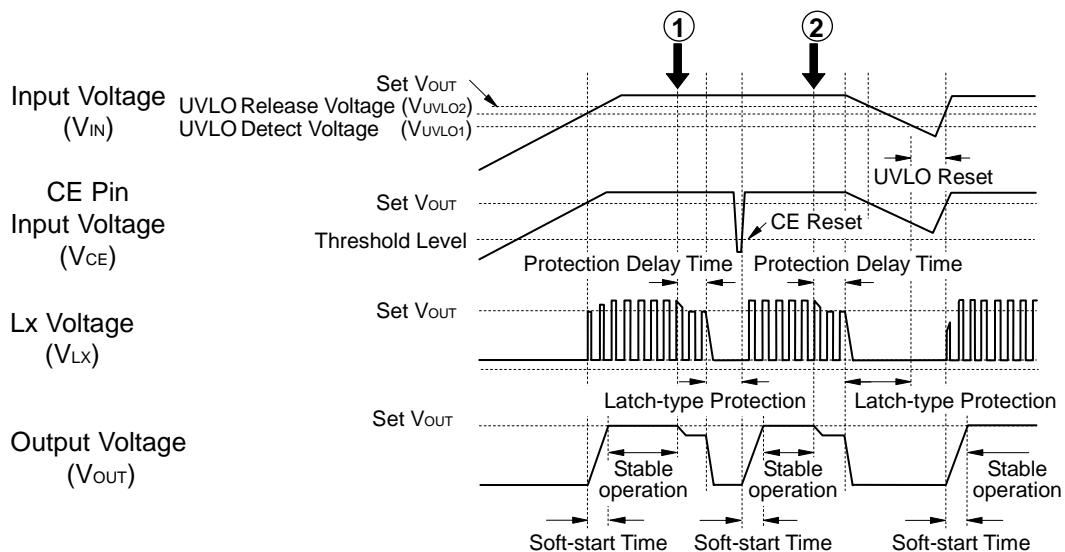


To release the condition of latch type protection, restart this IC by inputting "L" signal to CE pin, or restart this IC with power-on or make the supply voltage lower than UVLO detector threshold ( $V_{UVLO1}$ ) level.

The timing chart shown below describes the changing process of input voltage rising, stable operating, operating with large current, reset with CE pin, stable operating, input voltage falling, input voltage recovering, and stable operating.

If too large current flows through the circuit because of short or other reasons, after the delay time of latch type protection a built-in driver is latched in the OFF state and  $V_{LX}$  signal will be "L", then output will turn off. At the point (1), release the latch type protection is realized with CE reset as changed CE signal from "L" to "H".

At the point (2), release the latch type protection is realized with UVLO reset as make the supply voltage lower than UVLO detector threshold ( $V_{UVLO1}$ ) level.



**RP500x**

**TYPICAL CHARACTERISTICS**

**1) Output Voltage vs. Output Current**

**RP500x121A/123A**



**RP500x181A/183A**



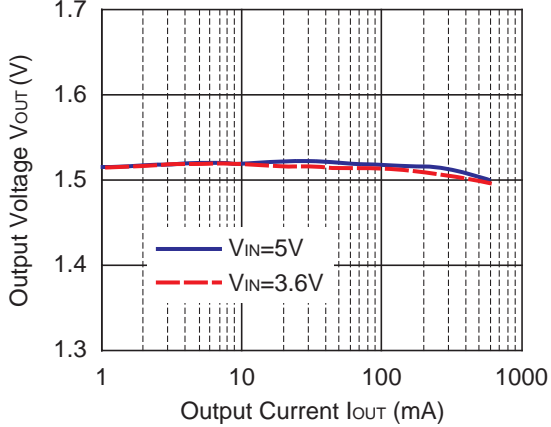
**RP500x251A/253A**



**RP500x331A/333A**



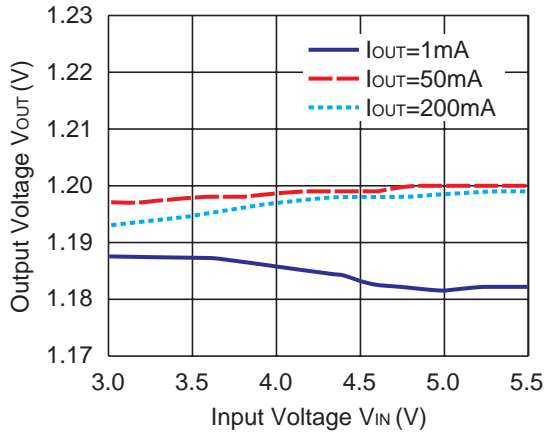
**RP500x152A/154A**



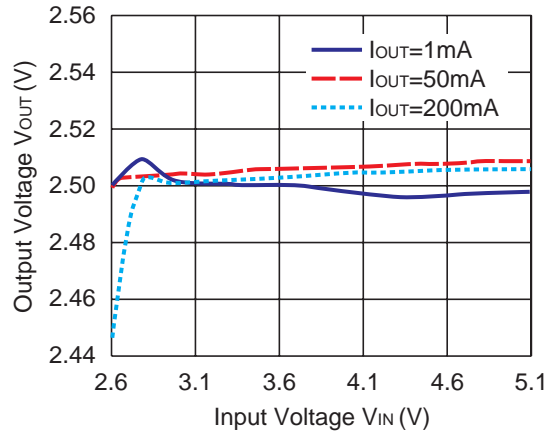


## 2) Output Voltage vs. Input Voltage

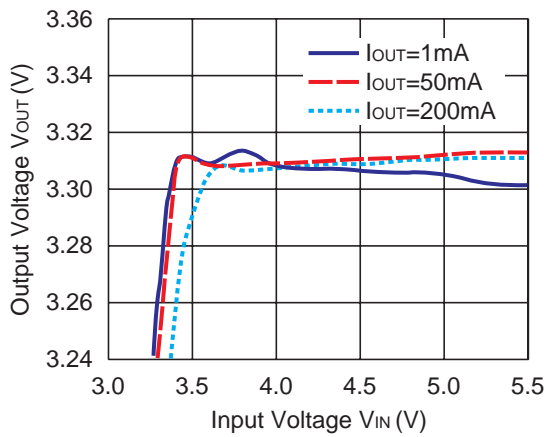
RP500x121A/123A



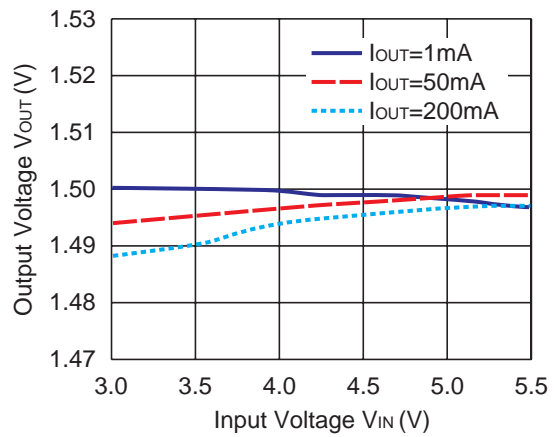
RP500x251A/253A



RP500x331A/333A



RP500x152A/154A



## 3) Efficiency vs. Output Current

RP500x121A/123A



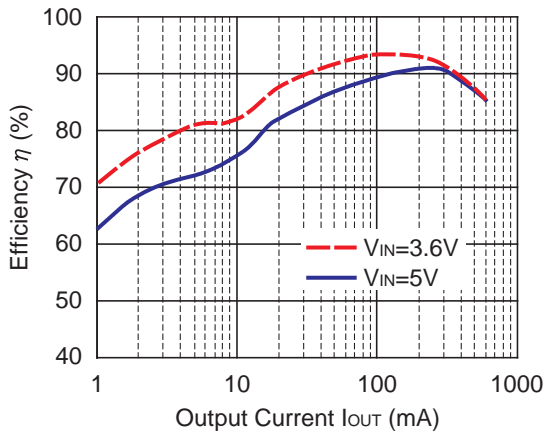
RP500x181A/183A



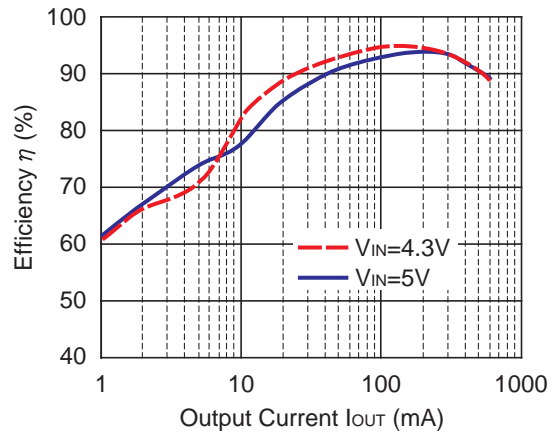
\* RP500Z (WLCSP-6-P2) is the non-promotion product. As of March in 2014.

**RP500x**

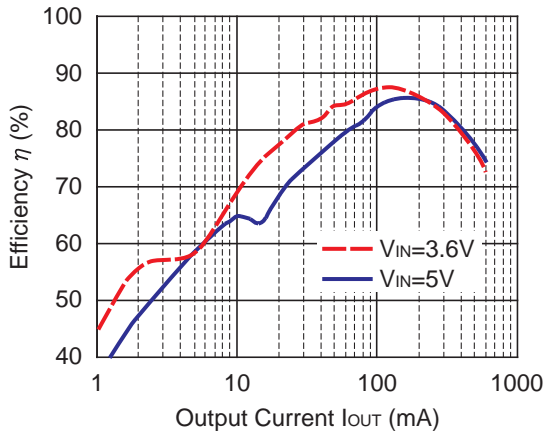
**RP500x251A/253A**



**RP500x331A/333A**



**RP500x152A/154A**



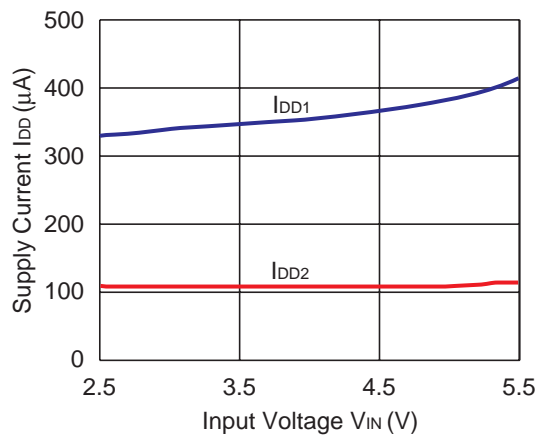
**4) Supply Current 1, 2 vs. Temperature**

**RP500x15xA**



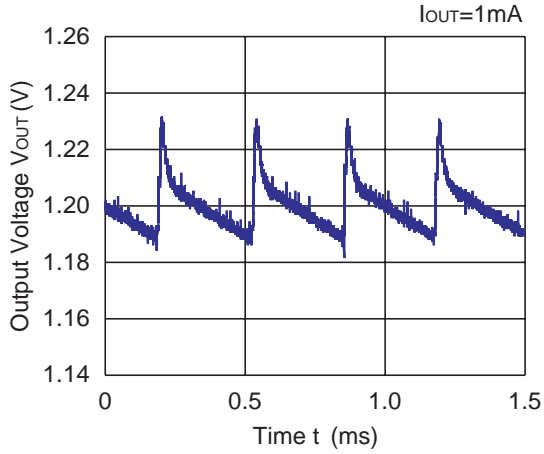
**5) Supply Current 1, 2 vs. Input Voltage**

**RP500x15xA**

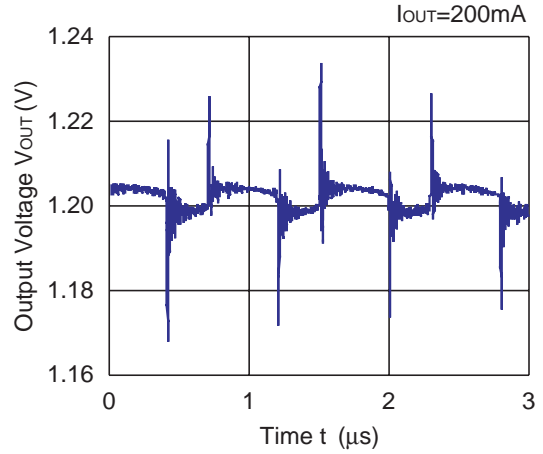


6) DC/DC Output Waveform ( $C_{IN}=C_{OUT}=10\mu F$ ,  $L=4.7\mu H$ )

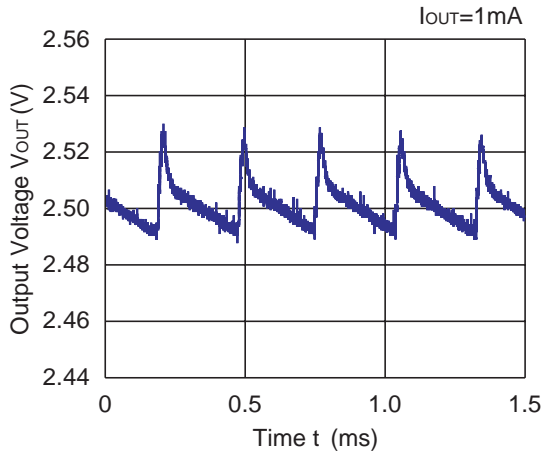
RP500x121A/123A



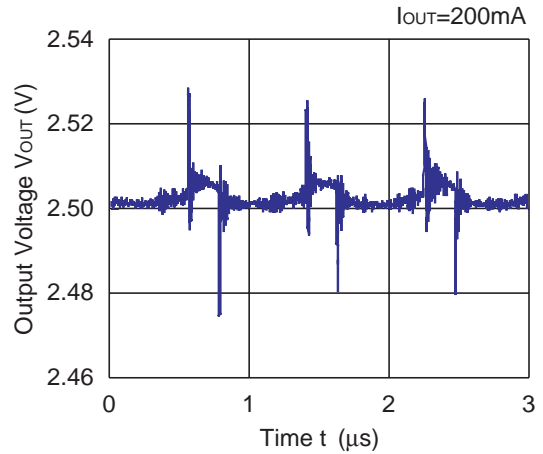
RP500x12xA



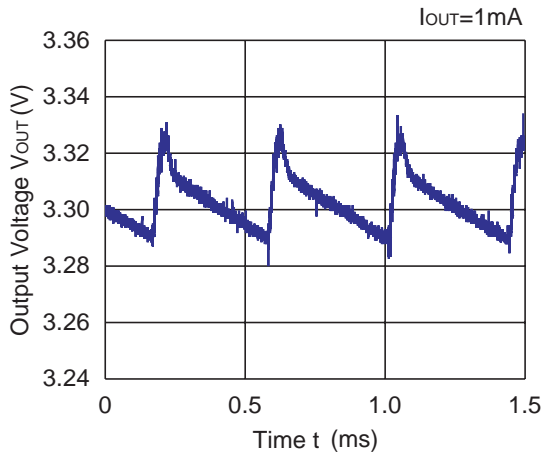
RP500x251A/253A



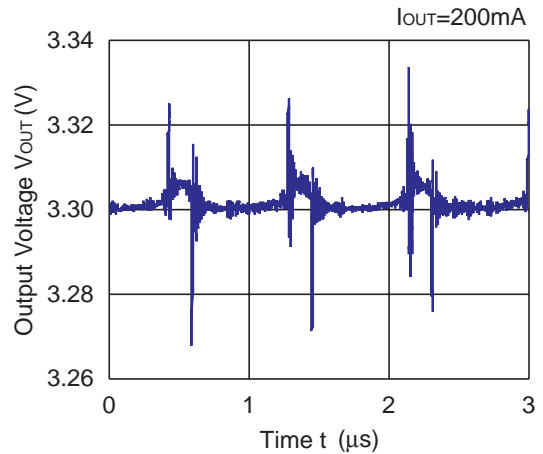
RP500x25xA



RP500x331A/333A



RP500x33xA



**RP500x**

**7) Output Voltage vs. Temperature**

**RP500x15xA**



**RP500x33xA**



**8) Oscillator Frequency vs. Temperature**

**RP500x15xA**



**9) Oscillator Frequency vs. Input Voltage**

**RP500x15xA**



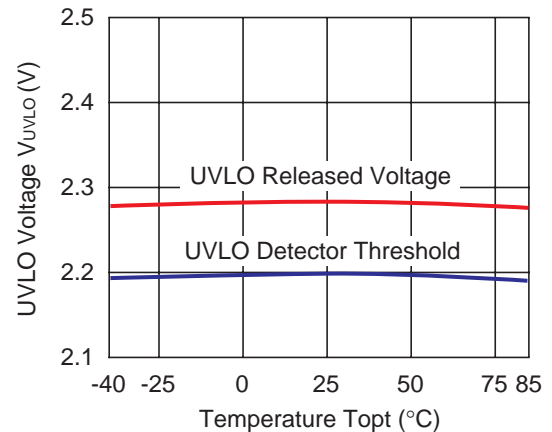
**10) Soft-start Time vs. Temperature**

**RP500x16xA**



**11) UVLO Detector Threshold/ Released Voltage vs. Temperature**

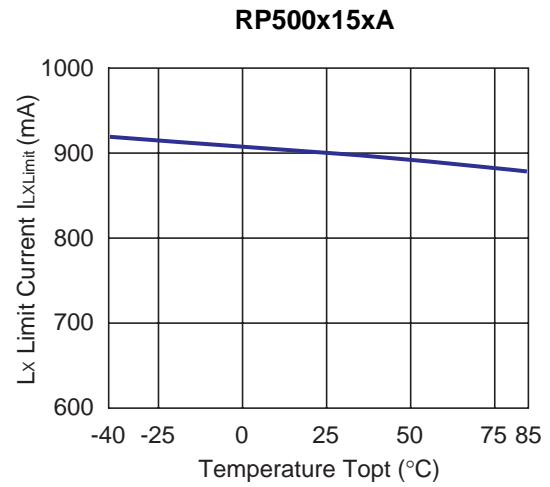
**RP500x15xA**



12) CE Input vs. Temperature



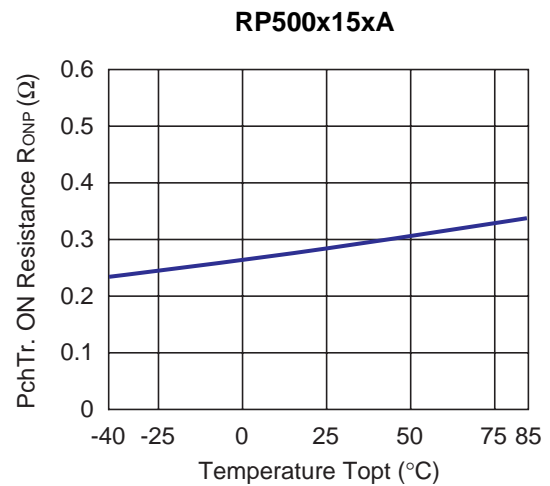
13) Lx Current Limit vs. Temperature



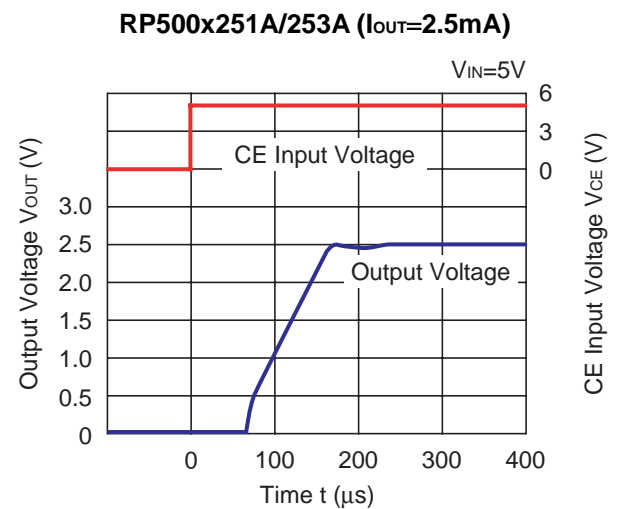
14) Nch Tr. ON Resistance vs. Temperature



15) Pch Tr. ON Resistance vs. Temperature



16) Turn on speed with CE pin (C<sub>IN</sub>=C<sub>OUT</sub>=Ceramic 10μF, L=4.7μH)



**RP500x**

**RP500x331A/333A ( $I_{OUT}=3.3mA$ )**

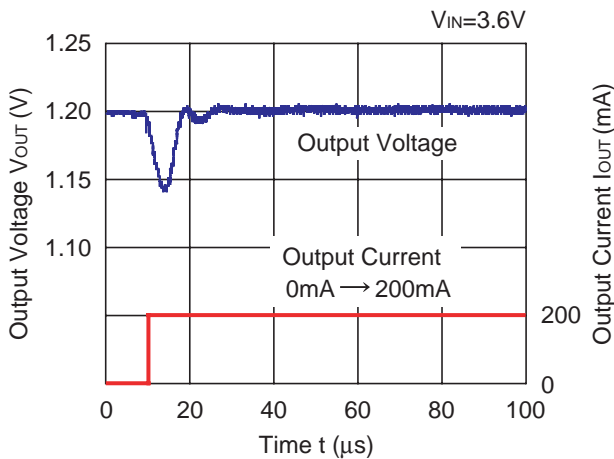


**RP500x152A/154A ( $I_{OUT}=1.5mA$ )**

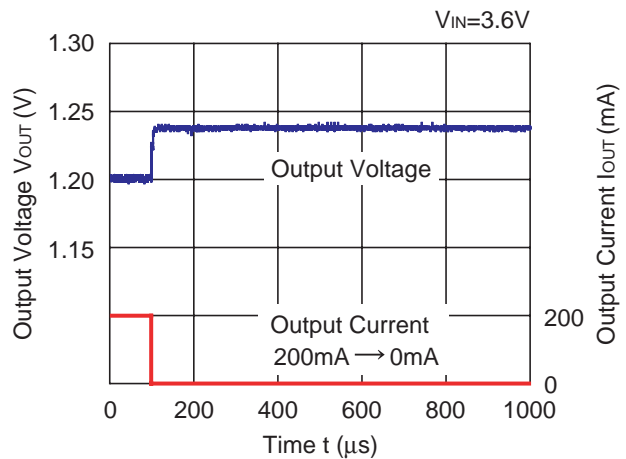


**17) Load Transient Response ( $C_{IN}=C_{OUT}$ =Ceramic  $10\mu F$ ,  $L=4.7\mu H$ )**

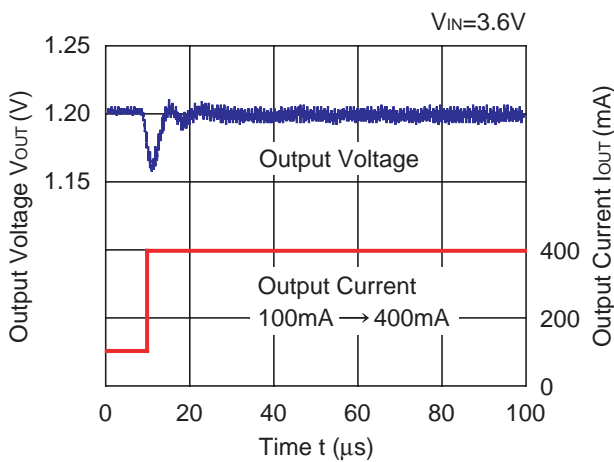
**RP500x121A/123A**



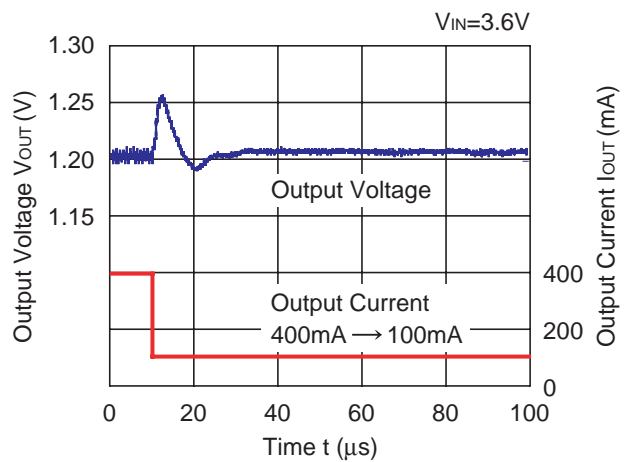
**RP500x121A/123A**



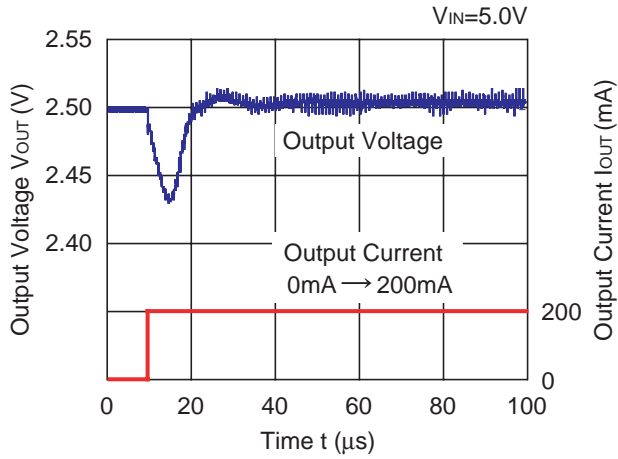
**RP500x12xA**



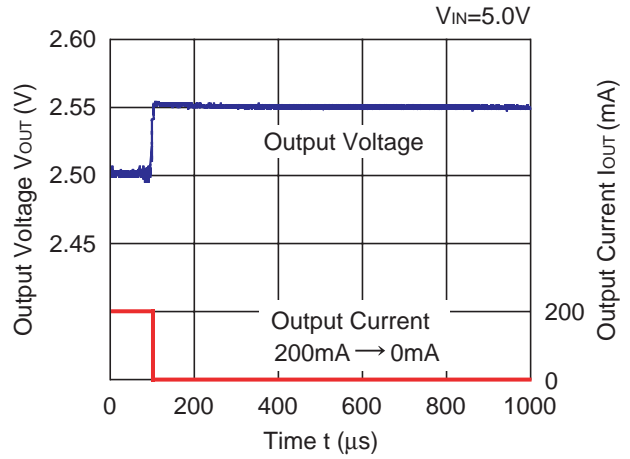
**RP500x12xA**



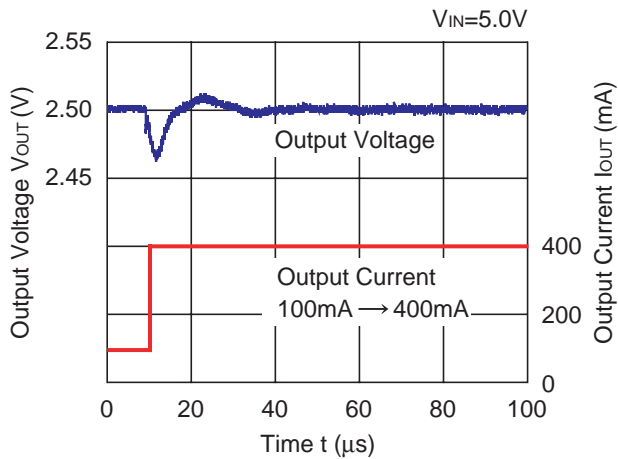
**RP500x251A/253A**



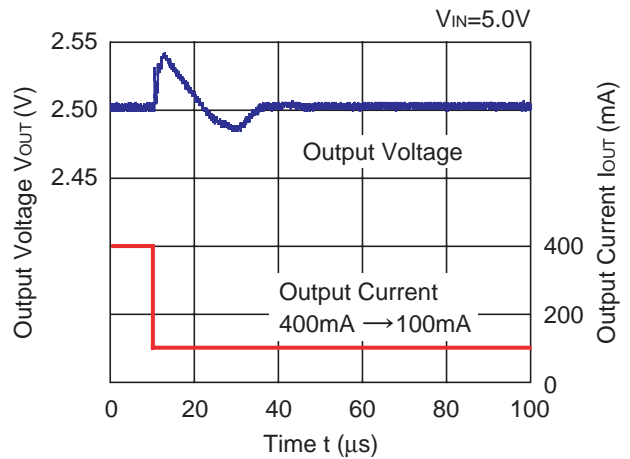
**RP500x251A/253A**



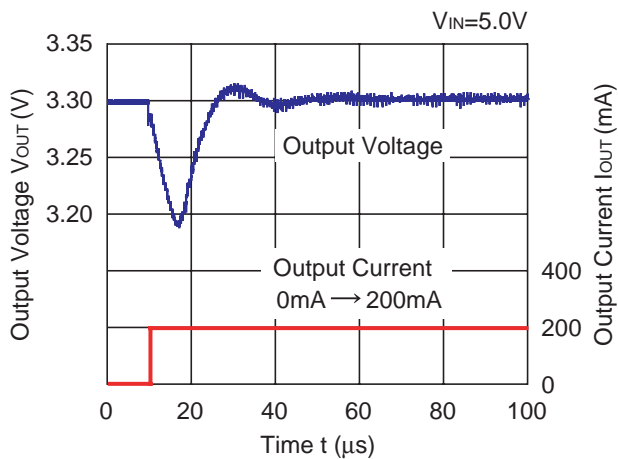
**RP500x25xA**



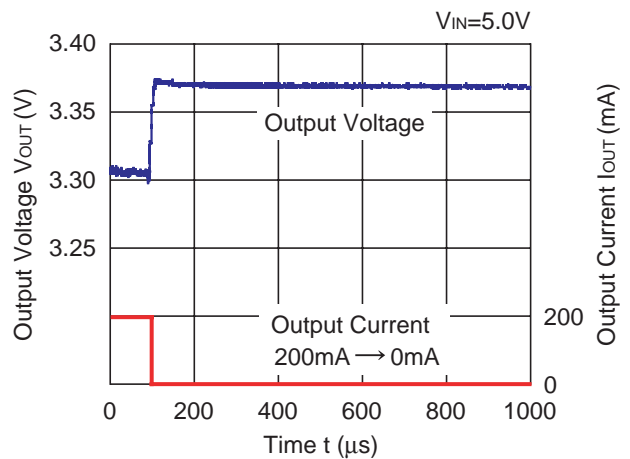
**RP500x25xA**



**RP500x331A/333A**



**RP500x331A/333A**



**RP500x**

**RP500x33xA**



**RP500x33xA**



**RP500x152A/154A**



**RP500x152A/154A**



**RP500x15xA**



**RP500x15xA**







1. The products and the product specifications described in this document are subject to change or discontinuation of production without notice for reasons such as improvement. Therefore, before deciding to use the products, please refer to Ricoh sales representatives for the latest information thereon.
2. The materials in this document may not be copied or otherwise reproduced in whole or in part without prior written consent of Ricoh.
3. Please be sure to take any necessary formalities under relevant laws or regulations before exporting or otherwise taking out of your country the products or the technical information described herein.
4. The technical information described in this document shows typical characteristics of and example application circuits for the products. The release of such information is not to be construed as a warranty of or a grant of license under Ricoh's or any third party's intellectual property rights or any other rights.
5. The products listed in this document are intended and designed for use as general electronic components in standard applications (office equipment, telecommunication equipment, measuring instruments, consumer electronic products, amusement equipment etc.). Those customers intending to use a product in an application requiring extreme quality and reliability, for example, in a highly specific application where the failure or misoperation of the product could result in human injury or death (aircraft, spacevehicle, nuclear reactor control system, traffic control system, automotive and transportation equipment, combustion equipment, safety devices, life support system etc.) should first contact us.
6. We are making our continuous effort to improve the quality and reliability of our products, but semiconductor products are likely to fail with certain probability. In order to prevent any injury to persons or damages to property resulting from such failure, customers should be careful enough to incorporate safety measures in their design, such as redundancy feature, fire containment feature and fail-safe feature. We do not assume any liability or responsibility for any loss or damage arising from misuse or inappropriate use of the products.
7. Anti-radiation design is not implemented in the products described in this document.
8. Please contact Ricoh sales representatives should you have any questions or comments concerning the products or the technical information.



**Ricoh is committed to reducing the environmental loading materials in electrical devices with a view to contributing to the protection of human health and the environment.**

Ricoh has been providing RoHS compliant products since April 1, 2006 and Halogen-free products since April 1, 2012.

**RICOH** RICOH ELECTRONIC DEVICES CO., LTD.

<http://www.e-devices.ricoh.co.jp/en/>

#### Sales & Support Offices

##### **RICOH ELECTRONIC DEVICES CO., LTD.**

**Higashi-Shinagawa Office (International Sales)**  
3-32-3, Higashi-Shinagawa, Shinagawa-ku, Tokyo 140-8655, Japan  
Phone: +81-3-5479-2857 Fax: +81-3-5479-0502

##### **RICOH EUROPE (NETHERLANDS) B.V.**

**Semiconductor Support Centre**  
Prof. W.H. Keesomlaan 1, 1183 DJ Amstelveen, The Netherlands  
Phone: +31-20-5474-309

##### **RICOH ELECTRONIC DEVICES KOREA CO., LTD.**

3F, Haesung Bldg. 504, Teheran-ro, Gangnam-gu, Seoul, 135-725, Korea  
Phone: +82-2-2135-5700 Fax: +82-2-2051-5713

##### **RICOH ELECTRONIC DEVICES SHANGHAI CO., LTD.**

Room 403, No.2 Building, No.690 Bilbo Road, Pu Dong New District, Shanghai 201203,  
People's Republic of China  
Phone: +86-21-5027-3200 Fax: +86-21-5027-3299

##### **RICOH ELECTRONIC DEVICES CO., LTD.**

**Taipei office**  
Room 109, 10F-1, No.51, Hengyang Rd., Taipei City, Taiwan (R.O.C.)  
Phone: +886-2-2313-1621/1622 Fax: +886-2-2313-1623

# Mouser Electronics

Authorized Distributor

Click to View Pricing, Inventory, Delivery & Lifecycle Information:

## [Ricoch Electronics:](#)

[RP500N151A-TR-FE](#) [RP500N181A-TR-FE](#) [RP500N333A-TR-FE](#) [RP500K121A-TR](#) [RP500N251A-TR-FE](#)  
[RP500K181A-TR](#) [RP500K184A-TR](#) [RP500K331A-TR](#) [RP500N121A-TR-FE](#) [RP500N331A-TR-FE](#)

Компания «Океан Электроники» предлагает заключение долгосрочных отношений при поставках импортных электронных компонентов на взаимовыгодных условиях!

Наши преимущества:

- Поставка оригинальных импортных электронных компонентов напрямую с производств Америки, Европы и Азии, а так же с крупнейших складов мира;
- Широкая линейка поставок активных и пассивных импортных электронных компонентов (более 30 млн. наименований);
- Поставка сложных, дефицитных, либо снятых с производства позиций;
- Оперативные сроки поставки под заказ (от 5 рабочих дней);
- Экспресс доставка в любую точку России;
- Помощь Конструкторского Отдела и консультации квалифицированных инженеров;
- Техническая поддержка проекта, помощь в подборе аналогов, поставка прототипов;
- Поставка электронных компонентов под контролем ВП;
- Система менеджмента качества сертифицирована по Международному стандарту ISO 9001;
- При необходимости вся продукция военного и аэрокосмического назначения проходит испытания и сертификацию в лаборатории (по согласованию с заказчиком);
- Поставка специализированных компонентов военного и аэрокосмического уровня качества (Xilinx, Altera, Analog Devices, Intersil, Interpoint, Microsemi, Actel, Aeroflex, Peregrine, VPT, Syfer, Eurofarad, Texas Instruments, MS Kennedy, Miteq, Cobham, E2V, MA-COM, Hittite, Mini-Circuits, General Dynamics и др.);

Компания «Океан Электроники» является официальным дистрибьютором и эксклюзивным представителем в России одного из крупнейших производителей разъемов военного и аэрокосмического назначения «JONHON», а так же официальным дистрибьютором и эксклюзивным представителем в России производителя высокотехнологичных и надежных решений для передачи СВЧ сигналов «FORSTAR».



## JONHON

«JONHON» (основан в 1970 г.)

Разъемы специального, военного и аэрокосмического назначения:

(Применяются в военной, авиационной, аэрокосмической, морской, железнодорожной, горно- и нефтедобывающей отраслях промышленности)

«FORSTAR» (основан в 1998 г.)

ВЧ соединители, коаксиальные кабели,  
кабельные сборки и микроволновые компоненты:

(Применяются в телекоммуникациях гражданского и специального назначения, в средствах связи, РЛС, а так же военной, авиационной и аэрокосмической отраслях промышленности).



Телефон: 8 (812) 309-75-97 (многоканальный)

Факс: 8 (812) 320-03-32

Электронная почта: [ocean@oceanchips.ru](mailto:ocean@oceanchips.ru)

Web: <http://oceanchips.ru/>

Адрес: 198099, г. Санкт-Петербург, ул. Калинина, д. 2, корп. 4, лит. А