

High Performance 1.62V To 3.6V Dual Uart with 64-Byte FIFO**Features**

- 1.62V to 3.6V with 5V Tolerant Serial Inputs
- Programmable Sleep Mode with automatic wake-up
 - Intel or Motorola Data Bus Interface select
- Each UART is independently controlled with:
 - 16C550 Compatible Register Set
 - 64-byte Transmit and Receive FIFOs
 - Transmit and Receive FIFO Level Counters
 - Programmable TX and RX FIFO Trigger Levels for DMA and Interrupt Generation
 - Programmable Receive FIFO Trigger Levels for Software/Hardware Flow Control
 - Programmable hysteresis(Table A-D) for Software/Hardware Flow Control
 - Automatic RTS/CTS Flow Control
 - Automatic Xon/Xoff Software Flow Control with Optional Data Flow Resume by Xon Any Character
 - DMA Signaling Capability for both Received and Transmitted Data
 - RS485 HDX Control Output
 - RS485 auto address detection
 - Infrared (IrDA 1.0/1.1) Data Encoder/Decoder
 - Programmable Data Rate with Prescaler
- Up to 16 Mbps Serial Data Rate with 64MHz external clock input
- Crystal oscillator(up to 24MHz) or external clock(up to 80MHz) input
- Built in Power-On-Reset circuit

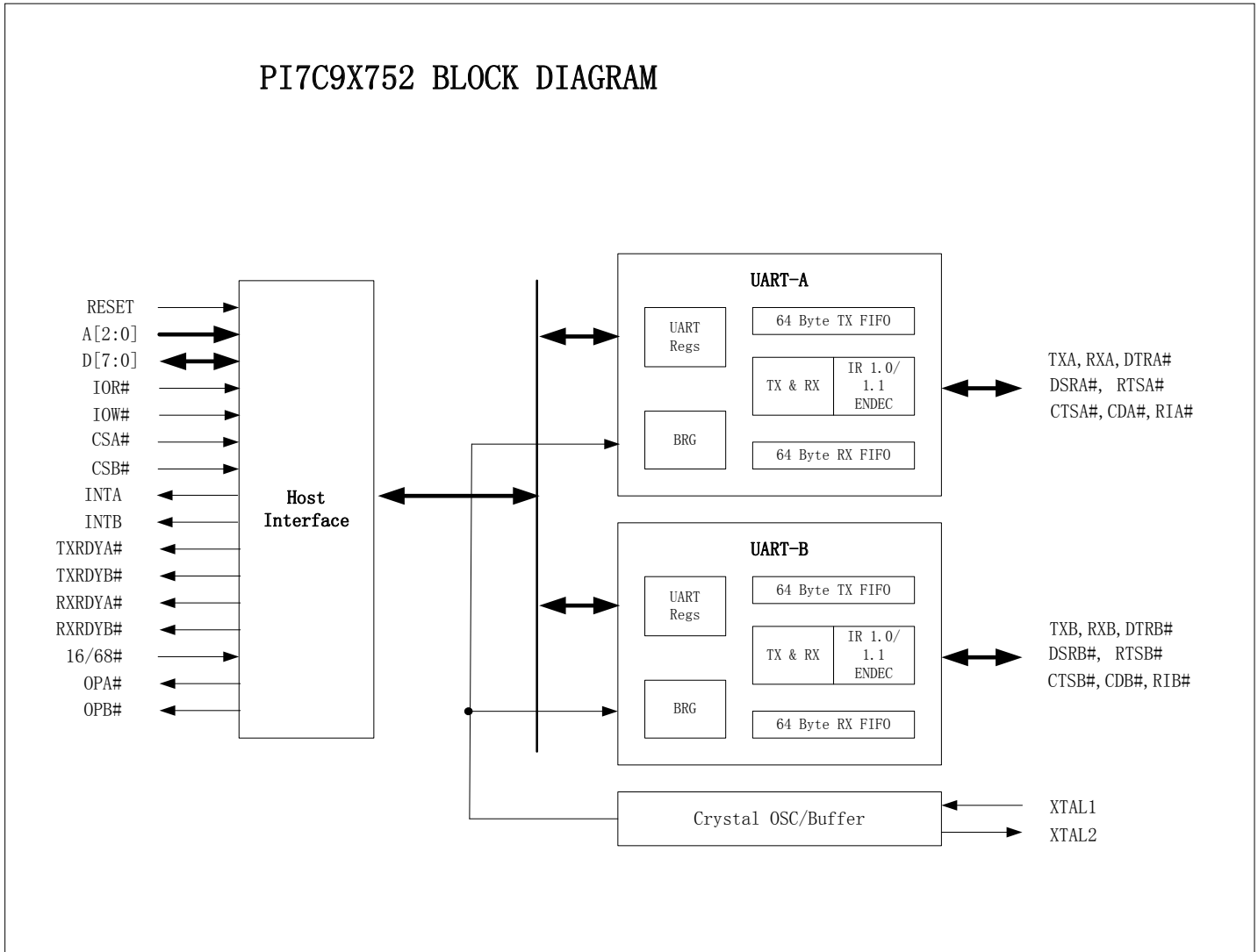
Application

- Remote Access Servers
- Ethernet Network to Serial Ports
- Network Management
- Factory Automation and Process Control
- Point-of-Sale Systems
- Multi-port RS-232/RS-422/RS-485 Cards

Description

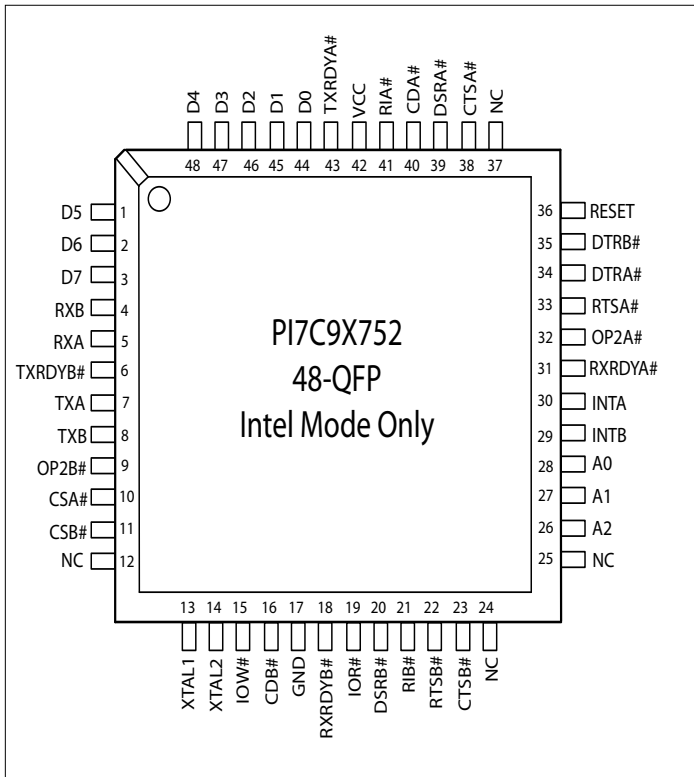
The PI7C9X752 (752), is a 1.62V to 3.6V dual Universal Asynchronous Receiver and Transmitter (UART) with 5V tolerant serial (modem) inputs. The highly integrated device is designed for high bandwidth requirement in communication systems. Each UART has its own 16C550 compatible set of configuration registers, TX and RX FIFOs of 64 bytes, fully programmable transmit and receive FIFO trigger levels, TX and RX FIFO level counters, automatic RTS/CTS hardware flow control with programmable hysteresis, automatic software (Xon/Xoff) flow control, RS-485 half-duplex direction control, Intel or Motorola bus interface and sleep mode for power saving.

Block Diagram

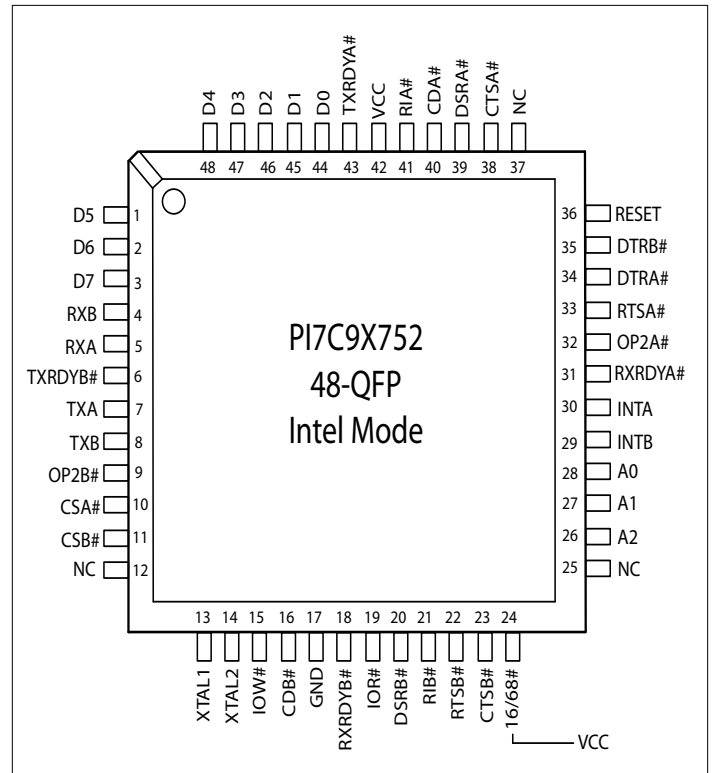


PI7C9X752

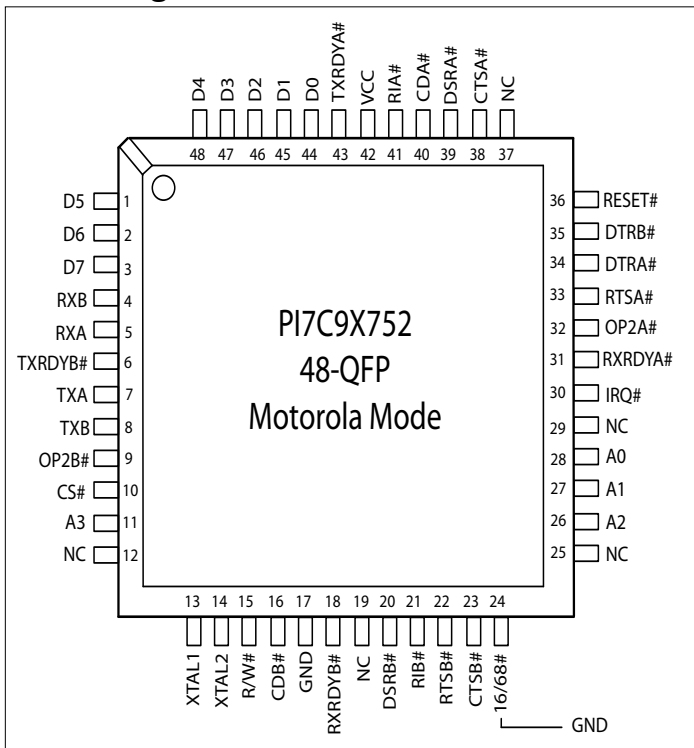
Pin Configuration 48-QFP



Pin Configuration 48-QFP



Pin Configuration 48-QFP



Pin Description

Pin Name	48-TQFP Pin #	Type	Description
Data Bus Interface			
A2	26	I	Address data lines [2:0]. These 3 address lines select one of the internal registers in UART channel A/B during a data bus transaction.
A1	27		
A0	28		
D7	3	I/O	Data bus lines [7:0] (bidirectional).
D6	2		
D5	1		
D4	48		
D3	47		
D2	46		
D1	45		
D0	44		
IOR# (NC)	19	I	When 16/68# pin is HIGH, the Intel bus interface is selected and this input becomes read strobe (active low). The falling edge instigates an internal read cycle and retrieves the data byte from an internal register pointed by the address lines [A2:A0], puts the data byte on the data bus to allow the host processor to read it on the rising edge. When 16/68# pin is LOW, the Motorola bus interface is selected and this input is not used.
IOW# (R/W#)	15	I	When 16/68# pin is HIGH, it selects Intel bus interface and this input becomes write strobe (active low). The falling edge instigates the internal write cycle and the rising edge transfers the data byte on the data bus to an internal register pointed by the address lines. When 16/68# pin is LOW, the Motorola bus interface is selected and this input becomes read (HIGH) and write (LOW) signal.
CSA#(CS#)	10	I	When 16/68# pin is HIGH, this input is chip select A (active low) to enable channel A in the device. When 16/68# pin is LOW, this input becomes the chip select (active low) for the Motorola bus interface.
CSB#(A3)	11	I	When 16/68# pin is HIGH, this input is chip select B (active low) to enable channel B in the device. When 16/68# pin is LOW, this input becomes address line A3 which is used for channel selection in the Motorola bus interface. Input logic 0 selects channel A and logic 1 selects channel B.
INTA (IRQ#)	30	O	When 16/68# pin is HIGH for Intel bus interface, this output becomes channel A interrupt output. The output state is defined by the user through the software setting of MCR[3]. INTA is set to the active mode and OP2A# output LOW when MCR[3] is set to a logic 1. INTA is set to the three state mode and OP2A# to HIGH when MCR[3] is set to a logic 0. See MCR[3]. When 16/68# pin is LOW for Motorola bus interface, this output becomes device interrupt output (active low, open drain). An external pull-up resistor is required for proper operation.

Pin Name	48-TQFP Pin #	Type	Description
INTB (NC)	29	O	When 16/68# pin is HIGH for Intel bus interface, this output becomes channel B interrupt output. The output state is defined by the user through the software setting of MCR[3]. INTB is set to the active mode and OP2A# output to LOW when MCR[3] is set to a logic 1. INTA is set to the three state mode and OP2A# to HIGH when MCR[3] is set to a logic 0. See MCR[3]. When 16/68# pin is LOW for Motorola bus interface, this output is not used.
TXRDYA#	43	O	UART channel A Transmitter Ready (active low). The output provides the TX FIFO/THR status for transmit channel A. See Table 3. If it is not used, leave it unconnected.
RXRDYA#	31	O	UART channel A Receiver Ready (active low). This output provides the RX FIFO/RHR status for receive channel A. See Table 3. If it is not used, leave it unconnected.
TXRDYB#	6	O	UART channel B Transmitter Ready (active low). The output provides the TX FIFO/THR status for transmit channel B. See Table 4. If it is not used, leave it unconnected.
RXRDYB#	18	O	UART channel B Receiver Ready (active low). This output provides the RX FIFO/RHR status for receive channel B. See Table 3. If it is not used, leave it unconnected.
Modem Or Serial I/O Interface			
TXA	7	O	UART channel A Transmit Data or infrared encoder data. Standard transmit and receive interface is enabled when MCR[6] = 0. In this mode, the TX signal will be HIGH during reset or idle (no data). Infrared IrDA transmit and receive interface is enabled when MCR[6] = 1. In the Infrared mode, the inactive state (no data) for the Infrared encoder/decoder interface is LOW. If it is not used, leave it unconnected.
RXA	5	I	UART channel A Receive Data or infrared receive data. Normal receive data input must idle HIGH. The infrared receiver pulses typically idles at LOW but can be inverted by software control prior going in to the decoder, see MCR[6]. If this pin is not used, tie it to VCC or pull it high via a 100k ohm resistor.
RTSA#	33	O	UART channel A Request-to-Send (active low) or general purpose output. This output must be asserted prior to using auto RTS flow control, see EFR[6] and IER[6]. For auto RS485 half-duplex direction control, see DLD[6].
CTSA#	38	I	UART channel A Clear-to-Send (active low) or general purpose input. It can be used for auto CTS flow control, see EFR[7] and IER[7]. This input should be connected to VCC or GND when not used.
DTRA#	34	O	UART channel A Data-Terminal-Ready (active low) or general purpose output. If it is not used, leave it unconnected.
DSRA#	39	I	UART channel A Data-Set-Ready (active low) or general purpose input. This input should be connected to VCC or GND when not used.
CDA#	40	I	UART channel A Carrier-Detect (active low) or general purpose input. This input should be connected to VCC or GND when not used.
RIA#	41	I	UART channel A Ring-Indicator (active low) or general purpose input. This input should be connected to VCC or GND when not used.

Pin Name	48-TQFP Pin #	Type	Description
OP2A#	32	O	Output Port 2 Channel A - The output state is defined by the user and through the software setting of MCR[3]. INTA is set to the active mode and OP2A# output LOW when MCR[3] is set to a logic 1. INTA is set to the three state mode and OP2A# output HIGH when MCR[3] is set to a logic 0. See MCR[3]. If INTA is used, this output should not be used as a general output else it will disturb the INTA output functionality.
TXB	8	O	UART channel B Transmit Data or infrared encoder data. Standard transmit and receive interface is enabled when MCR[6] = 0. In this mode, the TX signal will be HIGH during reset or idle (no data). Infrared IrDA transmit and receive interface is enabled when MCR[6] = 1. In the Infrared mode, the inactive state (no data) for the Infrared encoder/decoder interface is LOW. If it is not used, leave it unconnected.
RXB	4	I	UART channel B Receive Data or infrared receive data. Normal receive data input must idle HIGH. The infrared receiver pulses typically idles at logic 0 but can be inverted by software control prior going in to the decoder, see MCR[6]. If this pin is not used, tie it to VCC or pull it high via a 100k ohm resistor.
RTSB#	22	O	UART channel B Request-to-Send (active low) or general purpose output. This port must be asserted prior to using auto RTS flow control, see EFR[6] and IER[6]. For auto RS485 half-duplex direction control, see DLD[6].
CTSB#	23	I	UART channel B Clear-to-Send (active low) or general purpose input. It can be used for auto CTS flow control, see EFR[7] and IER[7]. This input should be connected to VCC or GND when not used.
DTRB#	35	O	UART channel B Data-Terminal-Ready (active low) or general purpose output. If it is not used, leave it unconnected.
DSRB#	20	I	UART channel B Data-Set-Ready (active low) or general purpose input. This input should be connected to VCC or GND when not used.
CDB#	16	I	UART channel B Carrier-Detect (active low) or general purpose input. This input should be connected to VCC or GND when not used.
RIB#	21	I	UART channel B Ring-Indicator (active low) or general purpose input. This input should be connected to VCC or GND when not used.
OP2B#	9	O	Output Port 2 Channel B - The output state is defined by the user and through the software setting of MCR[3]. INTB is set to the active mode and OP2B# output LOW when MCR[3] is set to a logic 1. INTB is set to the three state mode and OP2B# output HIGH when MCR[3] is set to a logic 0. See MCR[3]. If INTB is used, this output should not be used as a general output else it will disturb the INTB output functionality.
Ancillary Signals			
XTAL1	13	I	Crystal or external clock input.
XTAL2	14	O	Crystal or buffered clock output.
16/68#	24	I	Intel or Motorola Bus Select (internal pull-up resistor). When 16/68# pin is HIGH, 16 or Intel Mode, the device will operate in the Intel bus type of interface. When 16/68# pin is LOW, 68 or Motorola mode, the device will operate in the Motorola bus type of interface.

Pin Name	48-TQFP	Type	Description
	Pin #		
RESET (RESET#)	36	I	When 16/68# pin is HIGH for Intel bus interface, this input becomes RESET (active high). When 16/68# pin is LOW for Motorola bus interface, this input becomes RESET# (active low). A 40 ns minimum active pulse on this pin will reset the internal registers and all outputs of channel A and B. The UART transmitter output will be held HIGH, the receiver input will be ignored and outputs are reset during reset period (see Table 16).
VCC	42	Pwr	1.62V to 3.63V power supply.
GND	17	Pwr	Power supply common, ground.
N.C.	12, 25, 37		No Connection.

Pin type: I=Input, O=Output, I/O= Input/output, OD=Output Open Drain.

Functional Description

The PI7C9X752 integrates the functions of 4 enhanced 16550 UARTs. Each UART channel has its own 16550 UART compatible configuration register set for individual channel control, status, and data transfer. Additionally, each UART channel has 64-byte of transmit and receive FIFOs, automatic RTS/CTS hardware flow control with hysteresis control, automatic Xon/Xoff and special character software flow control, programmable transmit and receive FIFO trigger levels, FIFO level counters, infrared encoder and decoder (IrDA ver. 1.0 and 1.1), programmable baud rate generator with a prescaler of divide by 1 or 4, and data rate up to 16Mbps with 4X sampling clock. The PI7C9X752 is a 1.62-3.6V device with 5 volt tolerant inputs (except XTAL1).

The PI7C9X752 comes with packages: 48-pin QFP which both Intel and Motorola interfere.

1. Trigger levels

The PI7C9X752 provides independent selectable and programmable trigger levels for both Receiver and transmitter DMA and interrupt generation. After reset, both transmitter and receiver FIFOs are disabled and so, in effect, the trigger level is the default value of one character. The selectable trigger levels are controlled via Register TLR(if TLR is non-zero) or (if TLR is zero) via FIFO Control Register(FCR) and Feature Control Register(FCTR). Refer to Table 1.

Table 1. Transmit and Receive FIFO Trigger Table and Level Selection

Trigger	FCTR BIT-5	FCTR BIT-4	FCR BIT-7	FCR BIT-6	FCR BIT-5	FCR BIT-4	Receive Trigger Level	Transmit Trigger Level
Table-A	0	0	0	0	0	0	1(Default)	1(Default)
			0	1			4	
			1	0			8	
			1	1			14	
Table-B	0	1			0	0		16
					0	1		8
					1	0		24
					1	1		30
			0	0			8	
			0	1			16	
1	0			24				
1	1			28				
Table-C	1	0			0	0		8
					0	1		16
					1	0		32
					1	1		56
			0	0			8	
			0	1			16	
1	0			56				
1	1			60				
Table-D	1	1	X	X	X	X	Programmable via RX-TRG register	Programmable via TX-TRG register

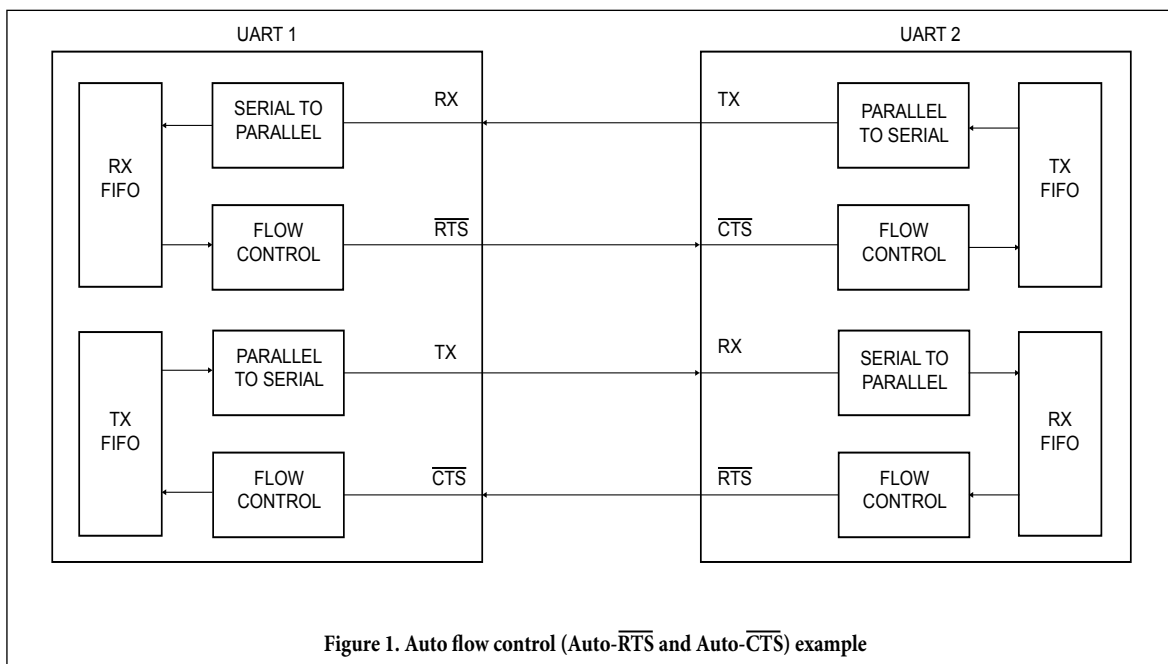
2. Hardware flow control

Hardware flow control is comprised of Auto- $\overline{\text{CTS}}$ and Auto-RTS (see Figure 1). Auto- $\overline{\text{CTS}}$ and Auto- $\overline{\text{RTS}}$ can be enabled/disabled independently by programming EFR[7:6].

With Auto- $\overline{\text{CTS}}$, $\overline{\text{CTS}}$ must be active before the UART can transmit data.

Auto- $\overline{\text{RTS}}$ only activates the $\overline{\text{RTS}}$ output when there is enough room in the FIFO to receive data and de-activates the $\overline{\text{RTS}}$ output when the RX FIFO is sufficiently full. The halt and resume trigger levels is controlled by FCR and FCTR bits.

If both Auto- $\overline{\text{CTS}}$ and Auto- $\overline{\text{RTS}}$ are enabled, when $\overline{\text{RTS}}$ is connected to $\overline{\text{CTS}}$, data transmission does not occur unless the receiver FIFO has empty space. Thus, overrun errors are eliminated during hardware flow control. If not enabled, overrun errors occur if the transmit data rate exceeds the receive FIFO servicing latency.



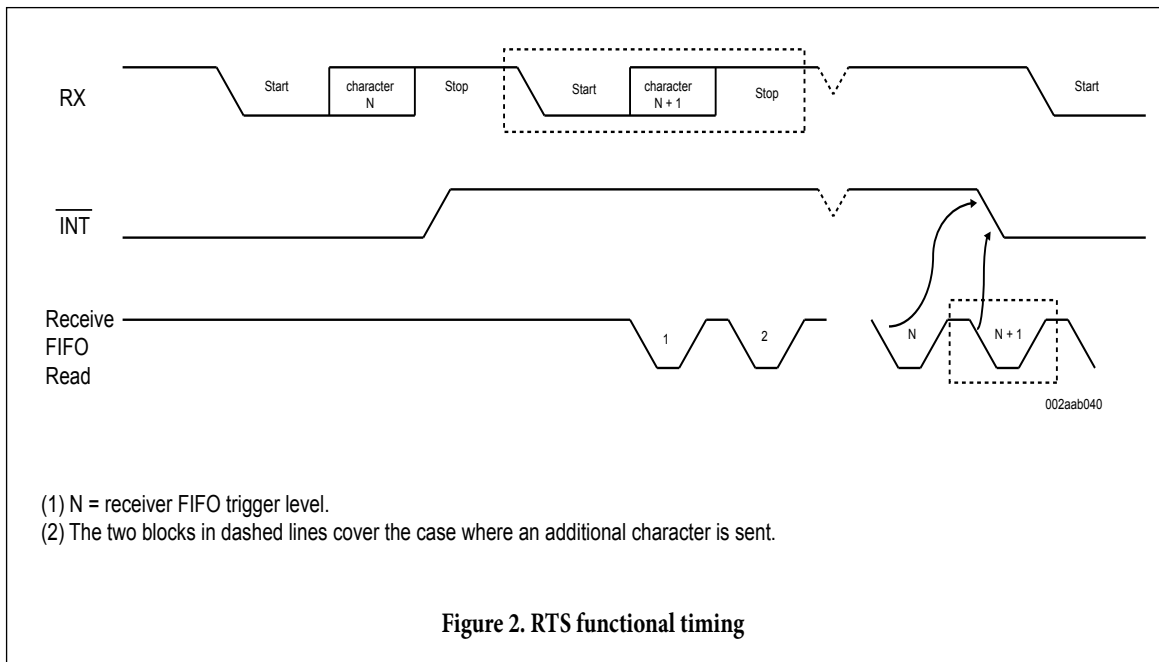
2.1 Auto RTS Hardware Flow Control Operation

Figure 2 shows RTS# functional timing. The RTS# output pin is used to request remote unit to suspend/resume data transmission. The flow control features are individually selected to fit specific application requirement:

- Enable auto RTS flow control using EFR bit-6.
- The auto RTS function must be started by asserting the RTS# output pin (MCR bit-1 to a logic 1) after it is enabled. With the Auto RTS function enabled, the RTS# output pin will be de-asserted (HIGH) when the FIFO reaches the halt level. The halting level is setting by TCR[3:0](if non-zero) or is the next trigger level for Trigger Tables A-C (See Table 1), or is the RX trigger level plus the hysteresis level for Trigger Table D.

The RTS# output pin will be asserted (LOW) again after the FIFO is unloaded to programmed resume level. The resume level is setting by TCR[7:4](if non-zero), or is the next trigger level below the programmed trigger level for Trigger Table A-C, or is the RX trigger level minus the hysteresis level if Table D is selected. However, even under these conditions, the 754 will continue to accept data until the receive FIFO is full if the remote UART transmitter continues to send data.

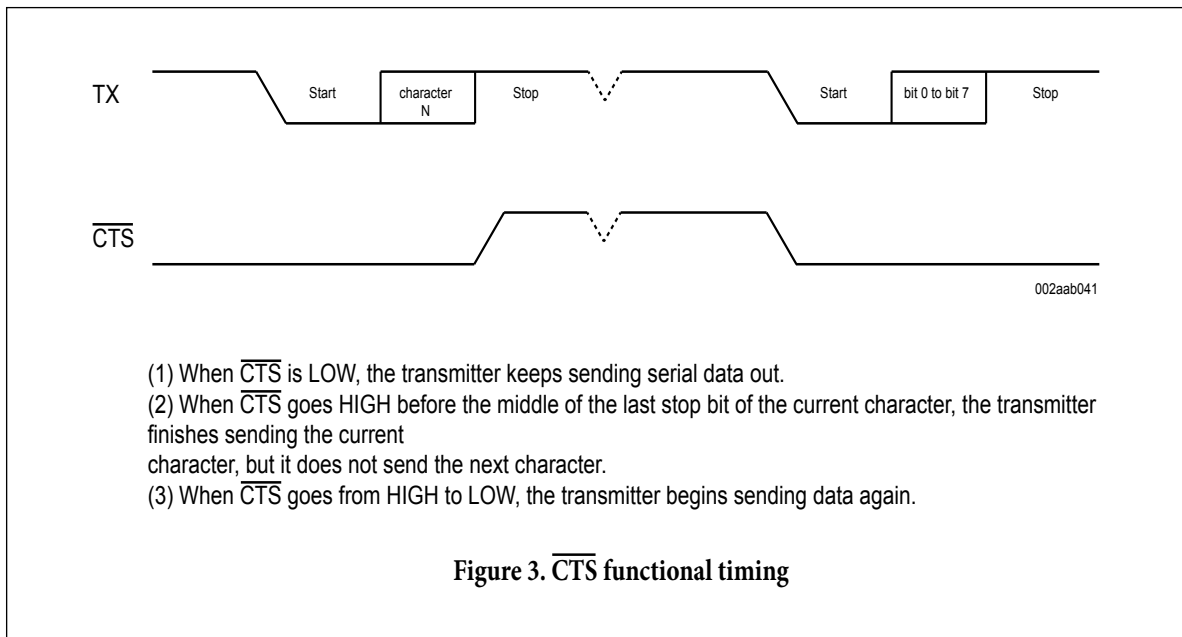
- If used, enable RTS interrupt through IER bit-6 (after setting EFR bit-4). The UART issues an interrupt when the RTS# pin makes a transition: ISR bit-5 will be set to 1.



2.2 Auto CTS Flow Control

The CTS pin is monitored to suspend/restart local transmitter. The flow control features are individually selected to fit specific application requirement:

- Enable auto CTS flow control using EFR bit-7. With the Auto CTS function enabled, the UART will suspend transmission as soon as the stop bit of the character in the Transmit Shift Register has been shifted out. Transmission is resumed after the CTS# input is re-asserted (LOW), indicating more data may be sent.
- If used, enable CTS interrupt through IER bit-7 (after setting EFR bit-4). The UART issues an interrupt when the CTS# pin makes a transition: ISR bit-5 will be set to a logic 1, and UART will suspend TX transmissions as soon as the stop bit of the character in process is shifted out. Transmission is resumed after the CTS# input returns LOW, indicating more data may be sent.



3 Software flow control

Software flow control is enabled through the Enhanced Features Register and the Modem Control Register. Different combinations of software flow control can be enabled by setting different combinations of EFR[3:0]. Table 1 shows software flow control options.

Table 2. Software flow control options (EFR[3:0])

EFR[3]	EFR[2]	EFR[1]	EFR[0]	TX, RX software flow control
0	0	x	x	no transmit flow control
1	0	x	x	transmit Xon1, Xoff1
0	1	x	x	transmit Xon2, Xoff2
1	1	x	x	transmit Xon1 and Xon2, Xoff1 and Xoff2
x	x	0	0	no receive flow control
x	x	1	0	receiver compares Xon1, Xoff1
x	x	0	1	receiver compares Xon2, Xoff2
1	0	1	1	transmit Xon1, Xoff1 receiver compares Xon1 or Xon2, Xoff1 or Xoff2
0	1	1	1	transmit Xon2, Xoff2 receiver compares Xon1 or Xon2, Xoff1 or Xoff2
1	1	1	1	transmit Xon1 and Xon2, Xoff1 and Xoff2 receiver compares Xon1 and Xon2, Xoff1 and Xoff2

There are two other enhanced features relating to software flow control:

- Xon Any function (MCR[5]): Receiving any character will resume operation after recognizing the Xoff character. It is possible that an Xon1 character is recognized as an Xon Any character, which could cause an Xon2 character to be written to the RX FIFO.

- Special character (EFR[5]): Incoming data is compared to Xoff2. Detection of the special character sets the Xoff interrupt (ISR[4]) but does not halt transmission. The Xoff interrupt is cleared by a read of the Interrupt Status Register (ISR). The special character is transferred to the RX FIFO.

3.1 Receive flow control

When software flow control operation is enabled, UART will compare incoming data with Xoff1/Xoff2 programmed characters (in certain cases, Xoff1 and Xoff2 must be received sequentially). When the correct Xoff characters are received, transmission is halted after completing transmission of the current character. Xoff detection also sets ISR[4] (if enabled via IER[5]) and causes IRCE# to go LOW.

To resume transmission, an Xon1/Xon2 character must be received (in certain cases Xon1 and Xon2 must be received sequentially). When the correct Xon characters are received, ISR[4] is cleared, and the Xoff interrupt disappears.

3.2 Transmit flow control

Xoff1/Xoff2 character is transmitted after the receive FIFO crosses the programmed halting level in TCR[3:0] (if non-zero) or programmed receiver trigger level (for all trigger tables A-D). Xon1/Xon2 character is transmitted as soon as receive FIFO is below the programmed resuming level in TCR[7:4] (if non-zero) or less than one trigger level below the programmed receiver trigger level (for Trigger Tables A, B, and C) or when receive FIFO is less than the trigger level minus the hysteresis value (for Trigger Table D). This hysteresis value is the same as the Auto RTS Hysteresis value in Table 3.

Table 3. SELECTABLE HYSTERESIS LEVELS WHEN TRIGGER TABLE-D IS SELECTED

FCTR BIT-3	FCTR BIT-2	FCTR BIT-1	FCTR BIT-0	RTS Hysteresis (Characters)
0	0	0	0	0
0	0	0	1	+/- 4
0	0	1	0	+/- 6
0	0	1	1	+/- 8
0	1	0	0	+/- 8
0	1	0	1	+/- 16
0	1	1	0	+/- 24
0	1	1	1	+/- 32
1	1	0	0	+/- 12
1	1	0	1	+/- 20
1	1	1	0	+/- 28
1	1	1	1	+/- 36
1	0	0	0	+/- 40
1	0	0	1	+/- 44
1	0	1	0	+/- 48
1	0	1	1	+/- 52

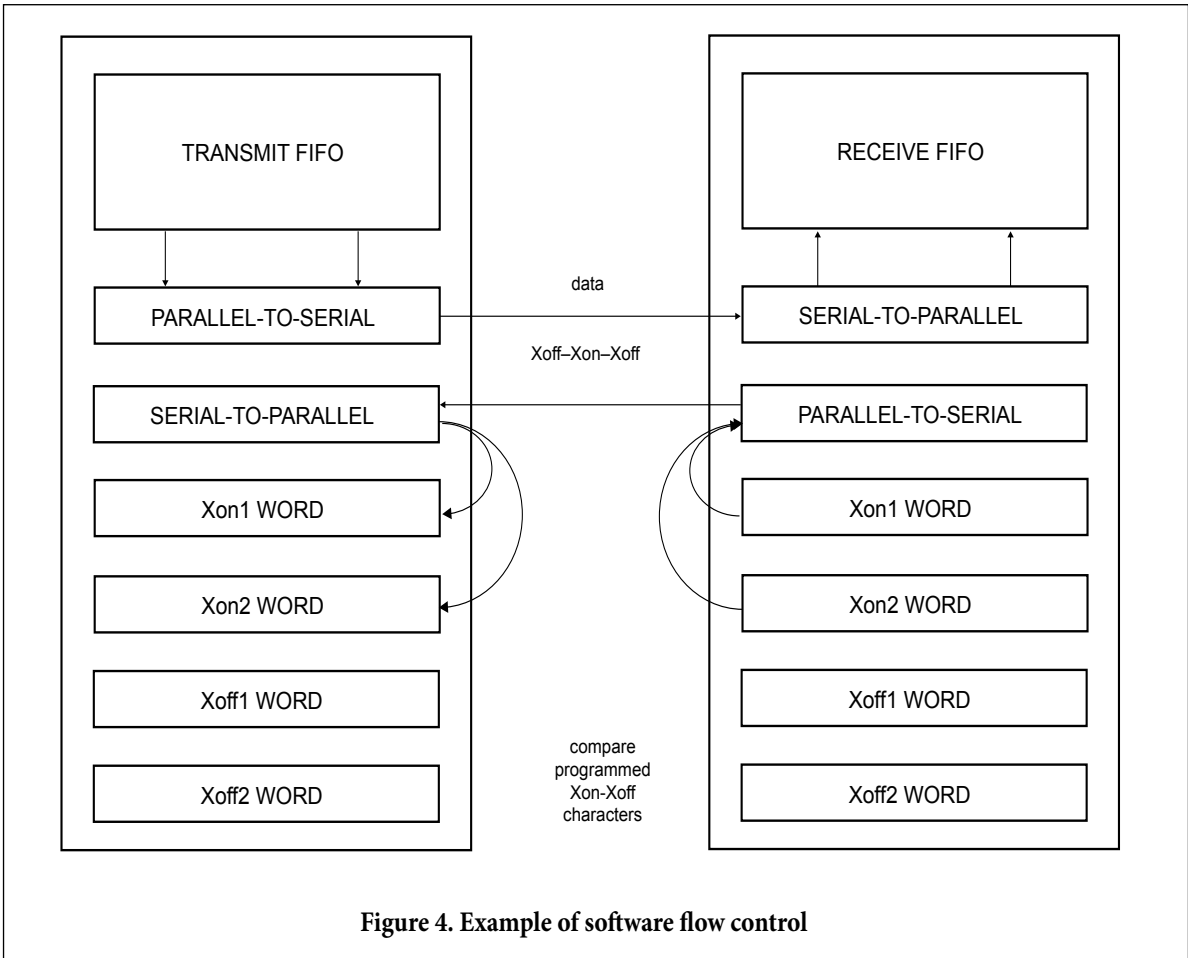


Figure 4. Example of software flow control

4. Hardware Reset, Power-On Reset (POR) and Software Reset

These three reset methods are identical and will reset the internal registers as indicated in Table 4.

Table 4 summarizes the state of register after reset.

Table 4. UART Reset Conditions

Register	Reset state
DLL	Bits 7-0 = 0x01
DLM	Bits 7-0 = 0x00
DLD	Bits 7-0 = 0x00
RHR	Bits 7-0 = 0xXX
THR	Bits 7-0 = 0xXX
IER	Bits 7-0 = 0x00
FCR	Bits 7-0 = 0x00
ISR	Bits 7-0 = 0x01
LCR	Bits 7-0 = 0x1D
MCR	Bits 7-0 = 0x00
LSR	Bits 7-0 = 0x60
MSR	Bits 3-0 = logic 0 Bits 7-4 = logic level of the inputs
SPR	Bits 7-0 = 0xFF
FCTR	Bits 7-0 = 0x20
EFR	Bits 7-0 = 0x00
TRG	Bits 7-0 = 0x00
FC	Bits 7-0 = 0x00
TCR	Bits 7-0 = 0x00
TLR	Bits 7-0 = 0x00
FSRDY	Bits 7-0 = 0x0F
XON1	Bits 7-0 = 0x00
XON2	Bits 7-0 = 0x00
XOFF1	Bits 7-0 = 0x00
XOFF2	Bits 7-0 = 0x00

Remark: Registers DLL, DLH, APR, XON1, XON2, XOFF1, XOFF2 are not reset by the top-level reset signal RESET, Software Reset, that is, they hold their initialization values during reset.

Table 5. Output signals after reset

Signal	Reset state
TX	HIGH
$\overline{\text{RTS/DTR}}$	HIGH
IRTX	LOW
RXRDY#	HIGH
TXRDY#	LOW
INT	Hi-Z (INTSEL=LOW) or LOW (INTSEL=HIGH)
IRQ#	Hi-Z (INTSEL=LOW)
OP2#	HIGH

5. Interrupts

The UART has interrupt generation and prioritization (seven prioritized levels of interrupts) capability. The interrupt enable registers (IER and IOIntEna) enable each of the seven types of interrupts and the INT signal in response to an interrupt generation. When an interrupt is generated, the ISR indicates that an interrupt is pending and provides the type of interrupt through ISR[5:0]. Table 4 summarizes the interrupt control functions.

Table 6. Interrupt Source and Priority Level

ISR[5:0]	Priority level	Interrupt type	Interrupt source
00 0001	none	none	None
00 0110	1	receiver line status	Overrun Error (OE), Framing Error (FE), Parity Error (PE), or Break Interrupt (BI) errors occur in characters in the RX FIFO
00 1100	3	RX time-out	Stale data in RX FIFO
00 0100	2	RHR interrupt	Receive data ready (FIFO disable) or RX FIFO above trigger level (FIFO enable)
00 0010	4	THR interrupt	Transmit FIFO empty (FIFO disable) or TX FIFO passes above trigger level (FIFO enable)
00 0000	5	modem status	Change of state of modem input pins
01 0000	6	Xoff interrupt	Receive Xoff character(s)/special character
10 0000	7	$\overline{\text{CTS}}$, $\overline{\text{RTS}}$	$\overline{\text{RTS}}$ pin or $\overline{\text{CTS}}$ pin change state from active (LOW) to inactive (HIGH)

It is important to note that for the framing error, parity error, and break conditions, Line Status Register bit 7 (LSR[7]) generates the interrupt. LSR[7] is set when there is an error anywhere in the RX FIFO, and is cleared only when there are no more errors remaining in the FIFO. LSR[4:2] always represent the error status for the received character at the top of the RX FIFO. Reading the RX FIFO updates LSR[4:2] to the appropriate status for the new character at the top of the FIFO. If the RX FIFO is empty, then LSR[4:2] are all zeros.

For the Xoff interrupt, if an Xoff flow character detection caused the interrupt, the interrupt is cleared by an Xon flow character detection. If a special character detection caused the interrupt, the interrupt is cleared by a read of the ISR.

5.1 Interrupt Generation

- LSR is by any of the LSR bits 1, 2, 3, 4 and 7.
- RXRDY is by RX trigger level.
- RXRDY Time-out is by a 4-char delay timer.
- TXRDY is by TX trigger level or TX FIFO empty (or transmitter empty in auto RS-485 control).
- MSR is by any of the MSR bits 0, 1, 2 and 3.
- Receive Xoff/Special character is by detection of a Xoff or Special character.
- CTS# is when its transmitter toggles the input pin (from LOW to HIGH) during auto CTS flow control.
- RTS# is when its receiver toggles the output pin (from LOW to HIGH) during auto RTS flow control.

5.2 Interrupt Clearing

- LSR interrupt is cleared by reading all characters with errors out of the RX FIFO if it is Frame/Parity/Break Error, and is cleared by reading LSR if it is Overrun Error.
- RXRDY interrupt is cleared by reading data until FIFO falls below the trigger level.
- RXRDY Time-out interrupt is cleared by reading RHR.
- TXRDY interrupt is cleared by a read to the ISR register or writing to THR.
- MSR interrupt is cleared by a read to the MSR register.
- Xoff interrupt is cleared when Xon character(s) is received or reading ISR.
- Special character interrupt is cleared by a read to ISR
- RTS# and CTS# flow control interrupts are cleared by a read to the MSR register

5.3 Interrupt mode operation

In Interrupt mode (if any bit of IER[3:0] is 1) the host is informed of the status of the receiver and transmitter by an interrupt signal, IRQ#. Therefore, it is not necessary to continuously poll the Line Status Register (LSR) to see if any interrupt needs to be serviced. Figure 5 shows Interrupt mode operation.

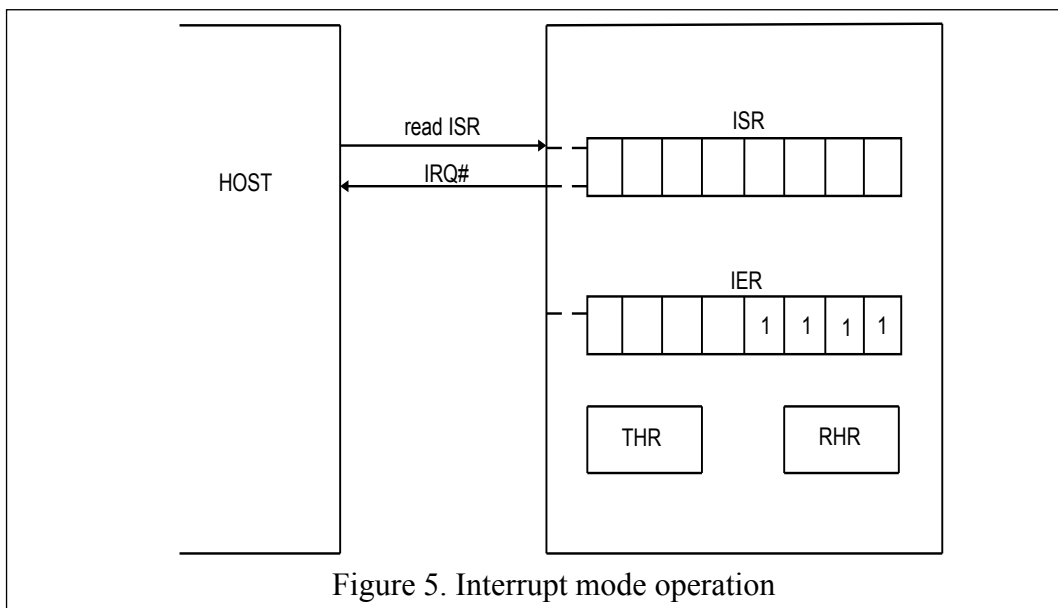
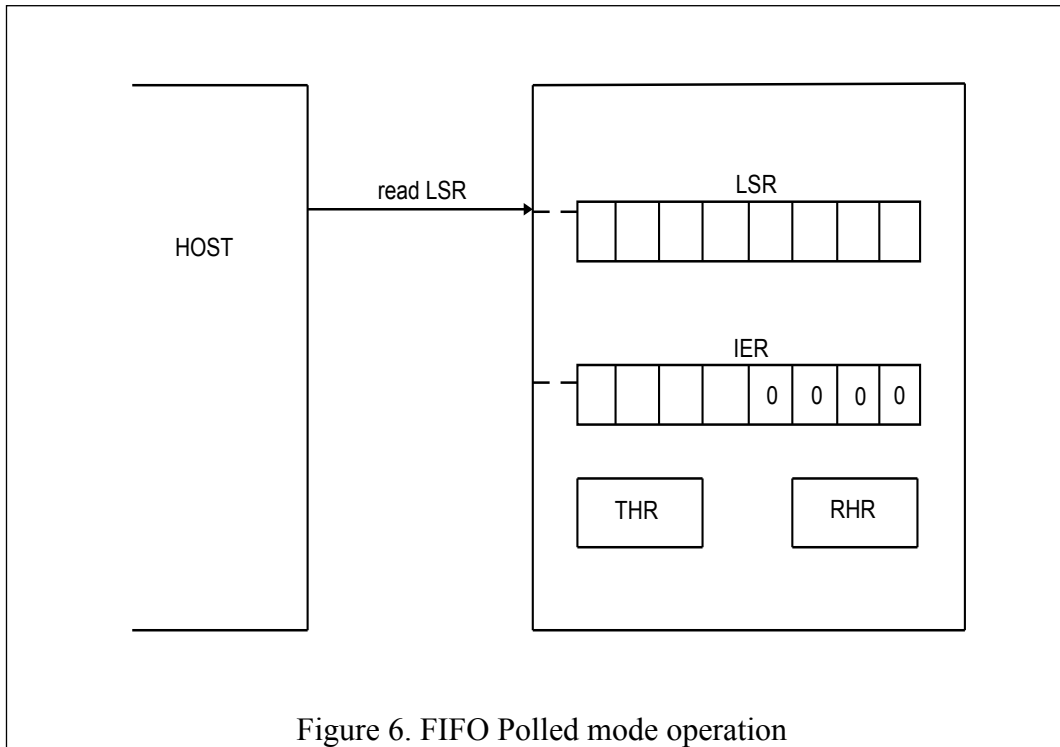


Figure 5. Interrupt mode operation

5.4 Polled mode operation

In Polled mode (IER[3:0] = 0000) the status of the receiver and transmitter can be checked by polling the Line Status Register (LSR). This mode is an alternative to the FIFO Interrupt mode of operation where the status of the receiver and transmitter is automatically known by means of interrupts sent to the CPU. Figure 6 shows FIFO Polled mode operation.



6 Sleep mode

Sleep mode is an enhanced feature of the UART. It is enabled when EFR[4], the enhanced functions bit, is set and when IER[4] is set. Sleep mode is entered when:

- The serial data input line, RX, is idle (see Section 8 “Break and time-out conditions”).
- The TX FIFO and TX shift register are empty.
- There are no interrupts pending except THR.
- Modem inputs are not toggling

Remark: Sleep mode will not be entered if there is data in the RX FIFO.

In Sleep mode, the clock to the UART is stopped. Since most registers are clocked using these clocks, the power consumption is greatly reduced. The UART will wake up when any change is detected on the RX line, when there is any change in the state of the modem input pins, or if data is written to the TX FIFO.

Remark: Writing to the divisor latches DLL and DLH to set the baud clock must not be done during Sleep mode. Therefore, it is advisable to disable Sleep mode using IER[4] before writing to DLL or DLH.

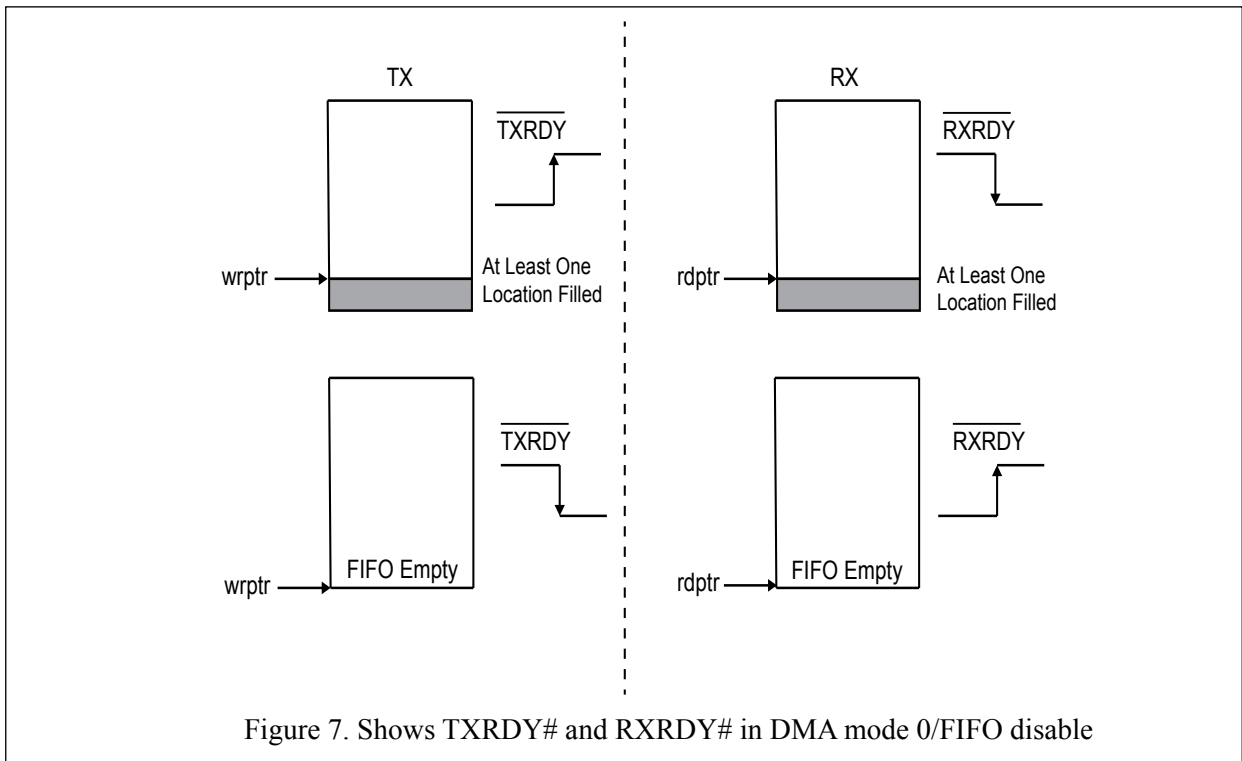
7. DMA Signaling

There are two modes of DMA operation, DMA mode 0 or 1, selected by FCR[3]. In DMA mode 0 or FIFO disable(FCR[0]=0), DMA occurs in single character transfers. In DMA mode 1, multicharacter DMA transfers are managed to relieve the processor for longer periods of time.

Single DMA Transfers(DMA mode 0/FIFO disable):

Transmitter: When empty, the TXRDY# signal becomes active. TXRDY# will go inactive after one character has been loaded into it.

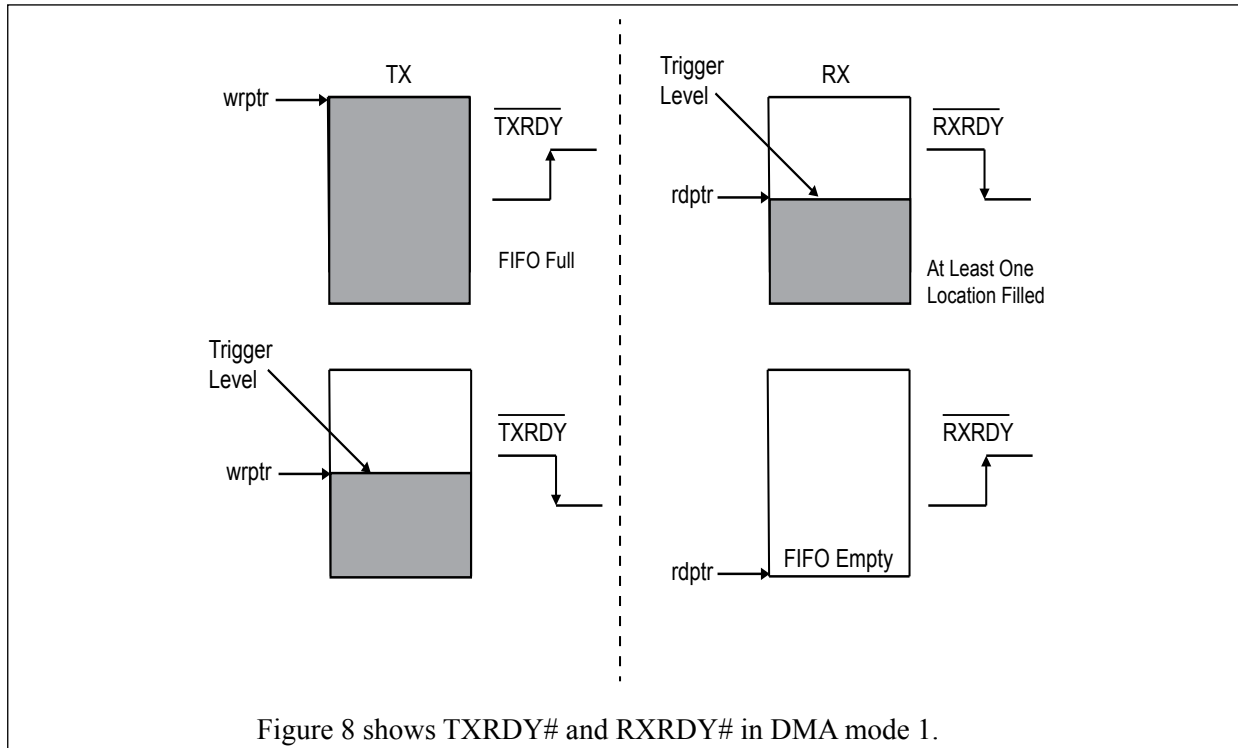
Receiver: RXRDY# is active when there is at least one character in the FIFO. It becomes inactive when the receiver is empty.



Block DMA Transfers(DMA mode 1):

Transmitter: TXRDY# is active when a trigger level number of spaces are available. It becomes inactive when the FIFO is full.

Receiver: RXRDY# becomes active when the trigger level has been reached or when a timeout interrupt occurs. It will go inactive when the FIFO is empty or an error in the RX FIFO is flagged by LSR(7).



8. Break and time-out condition

When the UART receives a number of characters and these data are not enough to set off the receive interrupt (because they do not reach the receive trigger level), the UART will generate a time-out interrupt instead, 4 character times after the last character is received. The time-out counter will be reset at the center of each stop bit received or each time the receive FIFO is read.

A break condition is detected when the RX pin is pulled LOW for a duration longer than the time it takes to send a complete character plus start, stop and parity bits. A break condition can be sent by setting LCR[6], when this happens the TX pin will be pulled LOW until LSR[6] is cleared by the software.

9. Programmable baud rate generator

The UART contains a programmable baud rate generator that takes any clock input and divides it by a divisor in the range between 1 and $(2^{16} - 1)$. An additional divide-by-4 prescaler is also available and can be selected by MCR[7], as shown in Figure 7. The formula for the baud rate is:

$$\text{Baud rate} = \frac{\left(\frac{\text{XTAL1 crystal input frequency}}{\text{prescaler}} \right)}{\text{divisor} \times \text{sample rate}}$$

where:

prescaler = 1, when MCR[7] is set to logic 0 after reset (divide-by-1 clock selected)

prescaler = 4, when MCR[7] is set to logic 1 after reset (divide-by-4 clock selected).

Divisor = {DLH, DLL}

Sample rate = 4 if DLD[5] = 1, or = 8 if DLD[4] = 1, or = 16-SCR+CPR if DLD[5:4] = 2'b0.

Remark: The default value of prescaler after reset is divide-by-1.

DLL and DLH must be written to in order to program the baud rate. DLL and DLH are the least significant and most significant byte of the baud rate divisor. If DLL and DLH are both zero, the UART is effectively disabled, as no baud clock will be generated.

Remark: The programmable baud rate generator is provided to select both the transmit and receive clock rates.

Table 7 to 10 show the baud rate and divisor correlation for crystal with frequency 1.8432 MHz, 3.072 MHz, 14.74926 MHz, and 24MHz respectively.

Table 7. Baud rates using a 1.8432 MHz crystal

Desired baud rate (bit/s)	Divisor used to generate 16x clock	Sample rate	Percent error difference between desired and actual
50	2304	16	0
75	1536	16	0
110	1047	16	0.026
134.5	857	16	0.058
150	768	16	0
300	384	16	0
600	192	16	0
1200	96	16	0
1800	64	16	0
2000	46	20	0.617
2400	48	16	0
3600	32	16	0
4800	24	16	0
7200	16	16	0
9600	12	16	0
19200	6	16	0
38400	3	16	0
56000	2	16	2.86

PI7C9X752

Table 8. Baud rates using a 3.072 MHz crystal

Desired baud rate (bit/s)	Divisor used to generate 16x clock	Sample rate	Percent error difference between desired and actual
50	2304	16	0
75	2560	16	0
110	1745	16	0.026
134.5	1428	16	0.034
150	1280	16	0
300	640	16	0
600	320	16	0
1200	160	16	0
1800	90	19	0.195
2000	96	16	0
2400	80	16	0
3600	45	19	0.195
4800	40	16	0
7200	25	17	0.392
9600	20	16	0
19200	10	16	0
38400	5	16	0

Table 9. Baud rates using a 14.74926 MHz crystal

Desired baud rate (bit/s)	Divisor used to generate 16x clock	Sample rate	Percent error difference between desired and actual
38400	24	16	0.025
56000	11	24	0.235
57600	16	16	0.025
115200	8	16	0.025
153600	6	16	0.025
921600	1	16	0.025

Table 10. Baud rates using a 24 MHz crystal

Desired baud rate (bit/s)	Divisor used to generate 16x clock	Sample rate	Percent error difference between desired and actual
4800	250	20	0
7200	159	21	0.17

25000	48	20	0
38400	25	25	0
57600	22	19	0.32
115200	8	26	0.16
225000	6	18	1.2
400000	3	20	0
921600	1	26	0.16
1000000	1	24	0

10. RS-485 features

10.1 Auto RS-485 RTS control

Normally the $\overline{\text{RTS}}$ pin is controlled by MCR bit 1, or if hardware flow control is enabled, the logic state of the $\overline{\text{RTS}}$ pin is controlled by the hardware flow control circuitry. DLD register bit 6 will take the precedence over the other two modes; once this bit is set, the transmitter will control the state of the $\overline{\text{RTS}}$ pin. The transmitter automatically de-asserts the $\overline{\text{RTS}}$ pin (logic 1) once the host writes data to the transmit FIFO, and asserts $\overline{\text{RTS}}$ pin (logic 0) once the last bit of the data has been transmitted.

To use the auto RS-485 $\overline{\text{RTS}}$ mode the software would have to disable the hardware flow control function.

10.2 RS-485 RTS output inversion

RS485 register bit 5 reverses the polarity of the $\overline{\text{RTS}}$ pin if the UART is in auto RS-485 $\overline{\text{RTS}}$ mode. When the transmitter has data to be sent it asserts the $\overline{\text{RTS}}$ pin (logic 0), and when the last bit of the data has been sent out the transmitter de-asserts the $\overline{\text{RTS}}$ pin (logic 1).

10.3 Auto RS-485

RS485 register bit 0 is used to enable the RS-485 mode (multidrop or 9-bit mode). In this mode of operation, a ‘master’ station transmits an address character followed by data characters for the addressed ‘slave’ stations. The slave stations examine the received data and interrupt the controller if the received character is an address character (parity bit = 1).

To use the auto RS-485 RTS mode the software would have to disable the hardware flow control function.

10.3.1 Normal multidrop mode

The 9-bit mode in RS485 register bit 0 is enabled, but not Special Character Detect (EFR bit 5). The receiver is set to Force Parity 0 (LCR[5:3] = 111) in order to detect address bytes.

With the receiver initially disabled, it ignores all the data bytes (parity bit = 0) until an address byte is received (parity bit = 1). This address byte will cause the UART to set the parity error. The UART will generate a line status interrupt (IER bit 2 must be set to ‘1’ at this time), and at the same time puts this address byte in the RX FIFO. After the controller examines the byte it must make a decision whether or not to enable the receiver; it should enable the receiver if the address byte addresses its ID address, and must not enable the receiver if the address byte does not address its ID address.

If the controller enables the receiver, the receiver will receive the subsequent data until being disabled by the controller after the controller has received a complete message from the ‘master’ station. If the controller does not disable the receiver after receiving a message from the ‘master’ station, the receiver will generate a parity error upon receiving another address byte. The controller then determines if the address byte addresses its ID address, if it is not, the controller then can disable the receiver. If the address byte addresses the ‘slave’ ID address, the controller take no further action; the receiver will receive the subsequent data.

10.3.2 Auto address detection

If Special Character Detect is enabled (EFR[5] is set and XOFF2 contains the address byte) the receiver will try to detect an address byte that matches the programmed character in XOFF2. If the received byte is a data byte or an address byte that does not match the programmed character in XOFF2, the receiver will discard these data. Upon receiving an address byte that matches the XOFF2 character, the receiver will be automatically enabled if not already enabled, and the address character is pushed into the RX FIFO along with the parity bit (in place of the parity error bit). The receiver also generates a line status interrupt (IER bit 2 must be set to 1 at this time). The receiver will then receive the subsequent data from the ‘master’ station until being disabled by the controller after having received a message from the ‘master’ station.

If another address byte is received and this address byte does not match XOFF2 character, the receiver will be automatically disabled and the address byte is ignored. If the address byte matches XOFF2 character, the receiver will put this byte in the RX FIFO along with the parity bit in the parity error bit (LSR[2]).

11. Host interface

The host interface is 8 data bits wide with 8 address lines and control signals to execute data bus read and write transactions. The PI7C9X752 data interface supports the Intel compatible types of CPUs and it is compatible to the industry standard 16C550 UART. No clock (oscillator nor external clock) is required for a data bus transaction. Each bus cycle is asynchronous using CS# IOR# and IOW# or CS#, R/W#. All two UART channels share the same data bus for host operations. Please refer to pin description and host interface read/write timing(Fig 10 and Fig 11).

11.1 UART Channel Selection

During Intel Bus Mode (16/68# pin is connected to VCC), a logic 0 on chip select pins, CSA# or CSB# allows the user to select UART channel A or B to configure, send transmit data and/or unload receive data to/from the UART. Selecting all two UARTs can be useful during power up initialization to write to the same internal registers, but do not attempt to read from all two uarts simultaneously. Individual channel select functions are shown in Table 11.

Table 11. Channel A-B Select In 16 Mode

CSA#	CSB#	Function
1	1	UART de-selected
0	1	Channel A selected
1	0	Channel B selected
0	0	Channel A-B selected

During Motorola Bus Mode (16/68# pin is connected to GND), the package interface pins are configured for connection with Motorola, and other popular microprocessor bus types. In this mode the V654 decodes two additional addresses, A3 and A4, to select one of the two UART ports. The A3 and A4 address decode function is used only when in the Motorola Bus Mode. See Table 12.

Table 12. Channel A-B Select In 68 Mode

CS#	A3	Function
1	X	UART de-selected
0	0	Channel A selected
0	1	Channel B selected

12. Infrared Mode

The UART includes the infrared encoder and decoder compatible to the IrDA (Infrared Data Association) version 1.0 and 1.1. The IrDA 1.0 standard stipulates the infrared encoder sends out a 3/16 of a bit wide HIGH-pulse for each "0" bit in the transmit data stream with a data rate up to 115.2 Kbps. For the IrDA 1.1 standard, the infrared encoder sends out a 1/4 of a bit time wide HIGH-pulse for each "0" bit in the transmit data stream with a data rate up to 1.152 Mbps. This signal encoding reduces the on-time of the infrared LED, hence reduces the power consumption. See Figure 9 below.

The infrared encoder and decoder are enabled by setting DLD register bit-7 to a '1'. With this bit enabled, the infrared encoder and decoder is compatible to the IrDA 1.0 standard. For the infrared encoder and decoder to be compatible to the IrDA 1.1 standard, ASR bit-4 will also need to be set to a '1'. When the infrared feature is enabled, the transmit data output, TX, idles LOW. Likewise, the RX input also idles LOW, see Figure 9.

The wireless infrared decoder receives the input pulse from the infrared sensing diode on the RX pin. Each time it senses a light pulse, it returns a logic 1 to the data bit stream.

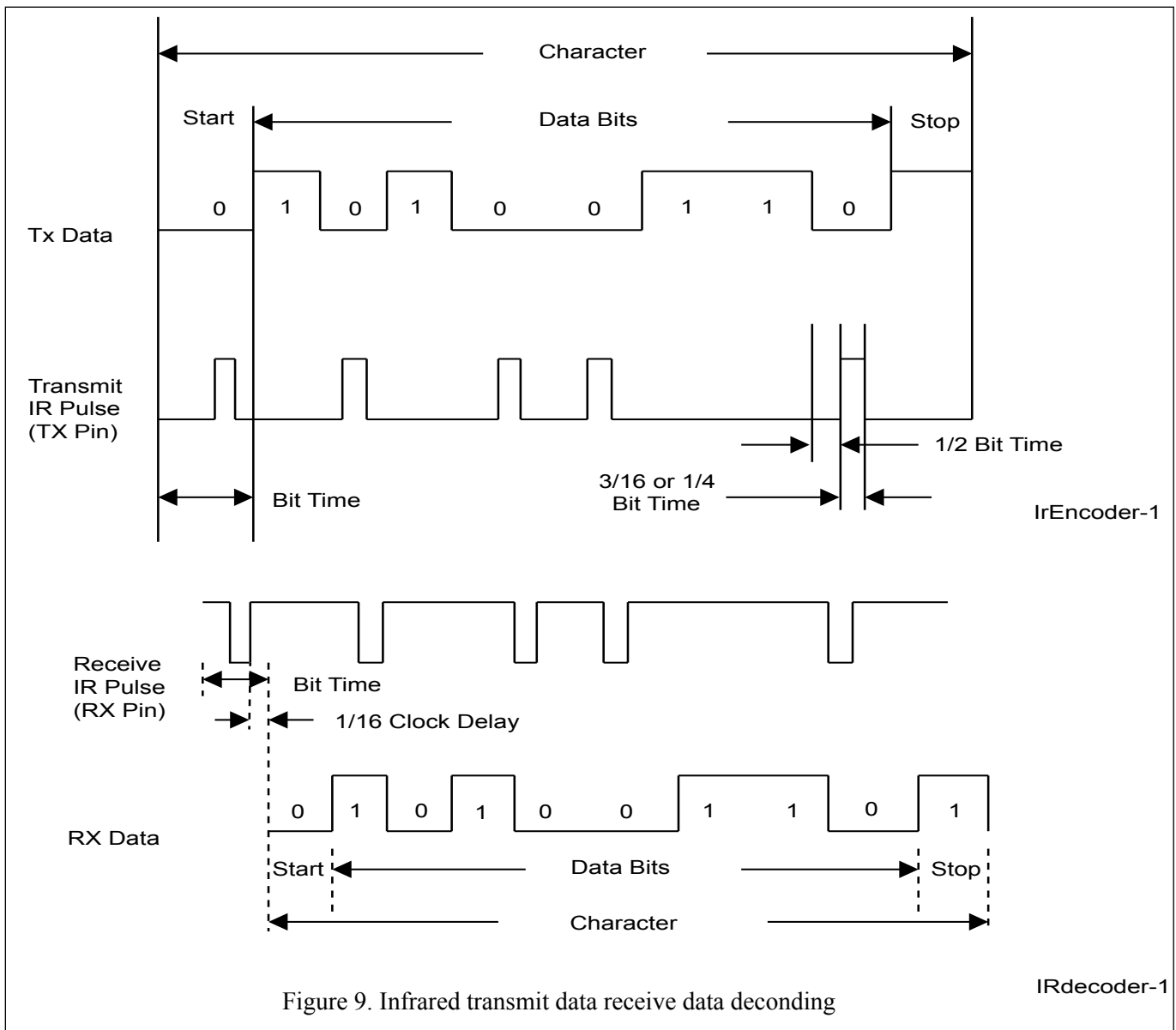


Figure 9. Infrared transmit data receive data decoding

13. Configuration Registers

Offset 00H(default=xxH)---Receiver Holding Register (RHR). Accessable when LCR[7]=0.		
Bit	Type	Description
[7:0]	RO	Rx Holding - When data are read from the RHR,they are removed from the top of the receiver's FIFO. Data read from the RHR when FIFO is empty are invalid. The Line Status Register(LSR) indicates the full or empty status of the FIFOs.
Offset 00H(default=xxH)---Transmitter Holding Register (THR). Accessable when LCR[7]=0		
Bit	Type	Description
[7:0]	WO	Tx Holding - When data are written to the THR,they are written to the bottom of the transmitter's FIFO. Data written to the THR when FIFO is full are lost. The Line Status Register(LSR) indicates the full or empty status of the FIFOs.
Offset 01H(default=00H)--- Interrupt Enable Register (IER). Accessable when LCR[7]=0.		
Bit	Type	Description
7	RW	CTS interrupt - "1": enable CTS/DSR interrupt
6	RW	RTS interrupt - "1": enable RTS/DTR interrupt
5	RW	Xoff/Special charactter interrupt - "1": enable the Software Flow Control interrupt
4	RW	Sleep mode - "1" : enable sleep mode. (it requires EFR[4]=1) the Uart may enter sleep mode when all conditions met: * no interrupts pending * modem inputs are not toggled * RX input pin is idling HIGH * TX/RX FIFO are empty it will exit from sleep mode when any below condition met: * modem inputs are toggling * RX input pin changed to LOW * a data byte is loaded to the TX FIFO At sleep mode, Crystal is stopped and no Uart clock
3	RW	Modem Status interrupt - "1": enable Modem Status interrupt
2	RW	Receiver Line Status interrupt - "1": enable Receiver Line Status interrupt
1	RW	Tx Ready interrupt - "1": enable THR Ready interrupt 1 = Interrupt is issued whenever the THR becomes empty in non-FIFO mode or when spaces in the FIFO is above the trigger level in the FIFO mode.
0	RW	Rx Data Ready interrupt - "1": enable Data Ready interrupt

Note: IER[7:4] can only be modified if EFR[4]=1.

Offset 02H(default=01H)--- Interrupt Status Register (ISR). Accessable when LCR[7]=0.

Bit	Type	Description
[7:6]	RO	Mirror the content of FCR[0]
[5:1]	RO	5-bit encoded interrupt.
0	RO	Interrupt status. "1": no interrupt is pending. "0": an interrupt is pending.

Priority Level	ISR[5]	ISR[4]	ISR[3]	ISR[2]	ISR[1]	ISR[0]	Source of Interrupt
1	0	0	0	1	1	0	Receive Line Status Error
2	0	0	0	1	0	0	RHR interrupt
3	0	0	1	1	0	0	Receiver timeout
4	0	0	0	0	1	0	THR interrupt
5	0	0	0	0	0	0	modem interrupt
6	0	1	0	0	0	0	Rx Xoff signal/special character
7	1	0	0	0	0	0	CTS,RTS change from active to inactive
-	0	0	0	0	0	1	None (default)

Note: ISR[4] is cleared by Xon detection if the interrupt is caused by Xoff detection, or cleared by a read of the ISR if it is caused by special char detection.

Offset 02H(default=00H)--- FIFO Control Register (FCR). Accessable when LCR[7]=0.

Bit	Type	Description
[7:6]	WO	RX trigger. Sets the trigger level for the RX FIFO
[5:4]	WO	TX trigger. Sets the trigger level for the TX FIFO

Trigger Table	FCTR[5]	FCTR[4]	FCR[7]	FCR[6]	FCR[5]	FCR[4]	RXTGL	TXTGL
Table-A	0	0	0 0 1 1	0 1 0 1	0	0	1 4 8 14	1
Table-B	0	1	0 0 1 1	0 1 0 1	0 1 1	0 1 1	8 16 24 28	16 8 24 30
Table-C	1	0	0 0 1 1	0 1 0 1	0 1 1	0 1 1	8 16 56 60	8 16 32 56
Table-D	1	1	X	X	X	X	RXTRG	TXTGL

if Table A-C is selected:

- the RX FIFO Halt level for Hardware flow control is the next level after RXTGL.
- the RX FIFO Halt level for Software flow control is the at RXTGL.
- the RX FIFO Resume level for Hardware/Software flow control is one level below RXTGL

if Table D is selected:

- the RX FIFO Halt level for Hardware flow control is the RXTRG plus Hystersis(FCTR[3:0]).
- the RX FIFO Halt level for Software flow control is the at RXTRG.
- the RX FIFO Resume level for Hardware/Software flow control is the RXTRG minus Hystersis(FCTR[3:0]) and the Halt level is maximum 60 characters.and the Resume level is minimum 0 characters.

3	WO	DMA mode enabled when set
2	WOS	Reset TX FIFO. 0 = no FIFO transmit reset 1 = clears the contents of Tx FIFO and resets the FIFO level logic. TSR is not cleared. This bit will return to logic 0 after clearing the FIFO
1	WOS	Reset RX FIFO. 0 = no FIFO receive reset 1 = clears the contents of Rx FIFO and resets the FIFO level logic. RSR is not cleared. This bit will return to logic 0 after clearing the FIFO
0	WO	FIFO enable 0 = disable the transmit and receive FIFO. and TX/RX can only hold one character at a time. other FCR bits are not programmable. and the trigger level is set to one character. 1 = enable the transmit and receive FIFO. and TX/RX FIFO can hold 64 characters.

Note: FCR[5:4] can only be modified and enabled if EFR[4]=1. Table-D see below FCTR description for the detail.

Offset 03H(default=1DH)--- Line Control Register (LCR).

Bit	Type	Description
7	RW	Divisor latch enabled when set
6	RW	Break control bit. 0 = no TX break condition 1 = forces TX to logic 0 to alert a line break condition
5	RW	Set forced parity format(if LCR[3]=1) 0 = parity is not forced. 1 = parity bit is forced to high if LCR[4]=0, or low if LCR[4]=1.
4	RW	Parity type select. 0 = odd parity is generated(if LCR[3]=1) 1 = even parity is generated(if LCR[3]=1)
3	RW	Parity enable when set
2	RW	Number of Stop bits 0 = 1 stop bit. 1 = 1.5 stop bits for word length=5, or 2 stop bits for word length=6,7,8
[1:0]	RW	Word length bits: 00 = 5 bits 01 = 6 bits 10 = 7 bits 11 = 8 bits

Offset 04H(default=00H)--- Modem Control Register (MCR). Accessable when LCR[7]=0.

Bit	Type	Description
7	RW	Clock pre-scaler select. 0 = divide-by-1 clock input 1 = divide-by-4 clock input
6	RW	when set, TCR and TLR read/write enable

5	RW	when set, Xon Any function is enabled and receiving any character will resume transmit operation. the RX character will be loaded into the RX FIFO. unless the RX character is an Xon/Xoff character and receiver software flow control is enabled.												
4	RW	when set, internal loopback mode is enabled and TX output is looped back to the RX input internally, and MCR[1:0] signals are looped back into MSR[4:5]												
3	RW	<p>Interrupt output control</p> <p>0 = Forces the INT(A-D) output to high-impedance state (interrupt disable)</p> <p>1 = INT(A-D) outputs to the active state (interrupt enable)</p> <p>The interrupt enable state can be overridden by INTSEL pin:</p> <table border="1"> <thead> <tr> <th>INTSEL</th> <th>MCR[3]</th> <th>INTA-D outputs in 16 mode</th> </tr> </thead> <tbody> <tr> <td>0</td> <td>0</td> <td>Hi-Z</td> </tr> <tr> <td>0</td> <td>1</td> <td>Active</td> </tr> <tr> <td>1</td> <td>X</td> <td>Active</td> </tr> </tbody> </table> <p>If Internal Loopback Mode(MCR[4]=1) is enabled, This bit is OP2 and is outputted to CD internally OP2# can be used as a general purpose output:</p> <p>0 = OP2# output set HIGH</p> <p>1 = OP2# output set LOW</p>	INTSEL	MCR[3]	INTA-D outputs in 16 mode	0	0	Hi-Z	0	1	Active	1	X	Active
INTSEL	MCR[3]	INTA-D outputs in 16 mode												
0	0	Hi-Z												
0	1	Active												
1	X	Active												
2	RW	FIFORdy register read enabled when MCR[4]=0 and ASR[0]=0 or OP1 if Internal Loopback Mode(MCR[4]=1) is enabled and is outputted to RI internally												
1	RW	<p>RTS pin control: 0 = force RTS pin High</p> <p>1 = force RTS pin Low</p> <p>when internal loopback mode, it controls MSR[4].</p> <p>if Auto-RTS is enabled, the RTS pin is controlled by hardware flow control</p> <p>if the modem interface is not used, this output may be used as a general purpose output</p>												
0	RW	<p>DTR pin control: 0 = force DTR pin High</p> <p>1 = force DTR pin Lowuart_transmitter.v</p> <p>when internal loopback mode, it controls MSR[5].</p> <p>if the modem interface is not used, this output may be used as a general purpose output</p>												

Note: MCR[7:5] can only be modified if EFR[4]=1.

Offset 05H(default=60H)--- Line Status Register (LSR). Accessable when LCR[7]=0.

Bit	Type	Description
7	RO	<p>Receiver FIFO Data Error Flag.</p> <p>0 = No FIFO Error</p> <p>1 = a flag for the sum of all error bits(parity error, framing error, or break)in the RX FIFO. this bit clears when there is no more error in any of the bytes in the RX FIFO</p>
6	RO	<p>THR and TSR Empty Flag</p> <p>This bit is set whenever the transmitter goes idle, it clears whenever either the THR or TSR contains a data character.</p>
5	RO	<p>THR Empty Flag</p> <p>This bit is set when the last data byte is transferred from THR to TSR.</p>

4	RO	Receiver Break Error Flag 0 = No Break Error 1 = break condition occurred in data to be read from RX FIFO(RX was LOW for at least one character frame time).
3	RO	Receiver Data Framing Error Flag 0 = No Data Framing Error 1 = framing error occurred in data to be read from RX FIFO(The receive character did not have a valid stop bits).
2	RO	Receiver Data Parity Error Flag 0 = No Data Parity Error 1 = parity error in data to be read from RX FIFO
1	RO	Receiver Overrun Error 0 = No verrun Error 1 = additional data received while the RX FIFO is full. this data should not be transferred into FIFO.
0	RO	Receiver Data Ready Indicator 0 = No data in received in RX FIFO 1 = Data has been received and saved in the RX FIFO

Offset 06H(default=x0H)--- Modem Status Register (MSR). Accessable when LCR[7]=0 and MCR[6]=0.

Bit	Type	Description
7	RO	CD input satus Normally this bit is the complement of the CD# input. In the loopback mode this bit is equivalent to MCR[3]
6	RO	RI input satus Normally this bit is the complement of the RI# input. In the loopback mode this bit is equivalent to MCR[2]
5	RO	DSR input satus Normally this bit is the complement of the DSR# input. In the loopback mode this bit is equivalent to MCR[0]
4	RO	CTS input satus Normally this bit is the complement of the CTS# input. In the loopback mode this bit is equivalent to MCR[1]
3	RO	Delta CD# input flag 0 = No change on CD# input 1 = The CD# input has changed state. A modem status interrupt will be generated if MSR interrupt is enabled.
2	RO	Delta RI# input flag 0 = No change on RI# input 1 = The RI# input has changed from a LOW to HIGH. A modem status interrupt will be generated if MSR interrupt is enabled

1	RO	Delta DSR# input flag 0 = No change on DSR# input 1 = The DSR# input has changed state. A modem status interrupt will be generated if MSR interrupt is enabled.
0	RO	Delta CTS# input flag 0 = No change on CTS# input 1 = The CTS# input has changed state. A modem status interrupt will be generated if MSR interrupt is enabled.

Note: the default of MSR[7:4]= logic levels of the inputs inverted

Offset 07H(default=FFH)--- Scratch Pad Register (SPR). Accessable when LCR[7]=0 and MCR[6]=0.

Bit	Type	Description
[7:0]	RW	This is 8-bit general purpose register for the user to store temporary data. the content is preserved during sleep mode.

Offset 00H(default=01H)--- Divisor Latch LSB(DLL). Accessable when LCR[7]=1 and LCR!=0xBF.

Bit	Type	Description
[7:0]	RW	LSB bits of divisor for baud rate generator.

Note: It is reset only when Power-On-Reset.

Offset 01H(default=00H)--- Divisor Latch MSB(DLM). Accessable when LCR[7]=1 and LCR!=0xBF.

Bit	Type	Description
[7:0]	RW	MSB bits of divisor for baud rate generator.

Note: It is reset only when Power-On-Reset.

Offset 02H(default=00H)--- Divisor Fractional Register (DLD). Accessable when EFR[4]=1,LCR[7]=1

Bit	Type	Description
7	RW	When set, enable IrDA (infrared) mode.
6	RW	When set, enable Auto RS-485 half-duplex mode.
[5:4]	RW	Sampling rate select: 00: 16X 01: 8X 1x: 4X
[3:0]	RW	Reserved

Note: Pre_Scaler = 2**(2*MCR[7])

Baud_Rate = XIN / ((256*DLM+DLL)*Pre_Scaler*(16-12*DLD[5])), when DLD[5]=1 or

Baud_Rate = XIN / ((256*DLM+DLL)*Pre_Scaler*(16-8*DLD[4])), when DLD[5]=0 or

Baud_Rate = XIN / ((256*DLM+DLL)*Pre_Scaler*(16-SCR+CPR)), when DLD=8'h00

Offset 02H(default=00H)--- Enhanced Feature Register (EFR). Accessable when LCR=0xBF.		
Bit	Type	Description
7	RW	Auto CTS Flow Control Enable 0 = Automatic CTS flow control is disabled. 1 = Automatic CTS flow control is enabled.
6	RW	Auto RTS Flow Control Enable 0 = Automatic RTS flow control is disabled. 1 = Automatic RTS flow control is enabled.
5	RW	Special character detect 0 = Special character detect is disabled. 1 = Special character detect is enabled. If received data matchs Xoff2 data, the received data is transferred to RX FIFO and ISR[4] is set to high to indicate a special character detection. However,if flow control is set for comparing Xoff2,then flow control works normally and Xoff2 will not go to the FIFO and will generate an Xoff interrupt and a special character interrupt.
4	RW	Enhanced Function Bits Enable This bit enables IER[7:4],ISR[5:4],FCR[5:4],MCR[7:5],TCR,TLR and ASR[7:0] to be modified. and enables the sleep mode.
[3:0]	RW	Software Flow Control Select: 00xx = No TX flow control 10xx = Transmit Xon1,Xoff1 01xx = Transmit Xon2,Xoff2 11xx = Transmit Xon1 and Xon2,Xoff1 and Xoff2 xx00 = No RX flow control xx10 = Receiver compares Xon1,Xoff1 xx01 = Receiver compares Xon2,Xoff2 1011 = Transmit Xon1,Xoff1; Receiver compares Xon1 or Xon2,Xoff1 or Xoff2 0111 = Transmit Xon2,Xoff2; Receiver compares Xon1 or Xon2,Xoff1 or Xoff2 1111 = Transmit Xon1 and Xon2,Xoff1 and Xoff2; Receiver compares Xon1 and Xon2,Xoff1 and Xoff2 0011 = No transmit flow control; Receiver compares Xon1 and Xon2,Xoff1 and Xoff2
Offset 04H(default=00H)--- XON1 character Register (XON1). Accessable when LCR=0xBF.		
Bit	Type	Description
[7:0]	RW	XON1 character
Offset 05H(default=00H)--- XON2 character Register (XON2). Accessable when LCR=0xBF.		
Bit	Type	Description
[7:0]	RW	XON2 character
Offset 06H(default=00H)--- XOFF1 character Register (XOFF1). Accessable when LCR=0xBF.		
Bit	Type	Description
[7:0]	RW	XOFF1 character

Offset 07H(default=00H)--- XOFF2 character Register (XOFF2). Accessable when LCR=0xBF.		
Bit	Type	Description
[7:0]	RW	XOFF2 character
Offset 00H(default=00H)--- Device Revision Register (DREV). Accessable when LCR[7]=1,LCR!=0xBF,DLL=0x00 and DLM=0x00		
Bit	Type	Description
[7:0]	RO	revision number of the PSC752
Offset 01H(default=52H)--- Device Identification Register (DVID). Accessable when LCR[7]=1,LCR!=0xBF,DLL=0x00 and DLM=0x00		
Bit	Type	Description
[7:0]	RO	The device ID for PSC752
Offset 00H(default=00H)--- Trigger Level Register (TRG). Accessable when LCR=0xBF.		
Bit	Type	Description
[7]	WO	Select TX or RX Trigger level of Table-D "0" - set RX trigger level RXTRG through TRG[6:0] "1" - set TX trigger level TXTRG through TRG[6:0]
[6:0]	WO	Set Trigger level for trigger Table-D from 0x00 to 0x40
Offset 00H(default=00H)--- RX/TX FIFO Level Counter Register (FC). Accessable when LCR=0xBF.		
Bit	Type	Description
[7]	RO	Indication of TX or RX FIFO level counter. "0" - FC[6:0] is the number of characters in RX FIFO "1" - FC[6:0] is the number of characters in TX FIFO It is alternative between RX and TX after each read of FC register
[6:0]	RO	Indication the number of characters in RX/TX FIFO
Offset 01H(default=20H)--- Feature Control Register (FCTR). Accessable when LCR=0xBF.		
Bit	Type	Description
[7:6]	RO	Reserved
[5:4]	RW	Select the transmit and receive FIFO trigger level table A-D See above FCR register description for the detail.
[3:0]	RW	Auto RTS flow control hysteresis select

Note: Auto RTS flow control hysteresis select for receiver FIFO trigger level table D only

FCTR[3]	FCTR[2]	FCTR[1]	FCTR[0]	RTS/DTR Hysteresis (Characters)
0	0	0	0	0
0	0	0	1	+/- 4
0	0	1	0	+/- 6
0	0	1	1	+/- 8
0	1	0	0	+/- 8
0	1	0	1	+/- 16
0	1	1	0	+/- 24
0	1	1	1	+/- 32
1	1	0	0	+/- 12
1	1	0	1	+/- 20
1	1	1	0	+/- 28
1	1	1	1	+/- 36
1	0	0	0	+/- 40
1	0	0	1	+/- 44
1	0	1	0	+/- 48
1	0	1	1	+/- 52

Offset 02H(default=00H)--- Alternate Function Register (AFR). Accessable when EFR[4]=0,LCR[7]=1 and LCR!=0xBF.

Bit	Type	Description
[7:2]	RO	Reserved
1	RW	Multi-function pin output OP2# select: 0: MCR[3]# 1: BAUDOUT#
0	RO	Reserved

Offset 04H(default=00)--- Advance Special Register (ASR). Accessable when EFR[4]=1,LCR[7]=1 and LCR!=0xBF.

Bit	Type	Description
7	RW	when set, RS-485 control register access enable
6	RW	when set, transmitter disabled
5	RW	when set, receiver disabled
4	RW	IrDA slow/fast mode control 0 = IrDA version 1.0, 3/16 pulse ratio,data rate up to 115.2 Kbps 1 = IrDA version 1.1, 1/4 pulse ratio,data rate up to 1.152 Mbps
3	RW	Infrarred RX input logic select 0 = RX input as active HIGH, normal 1 = RX input as active LOW, inverted
2	RW	when set, sample clock register enable
1	RW	Not used
0	RW	when set, FIFO ready register access disable

Offset 05H(default=00)--- Sample Clock Register (SNR). Accessable when LCR[7]=1,LCR!=0xBF and ASR[2]=1		
Bit	Type	Description
[7:4]	RW	SCR - Sample clock value, which is used to baud rate generate
[3:0]	RW	CPR - N number in calculating, which is used to baud rate generate

Note: 16-SCR+CPR>1, when set SNR to control the baud rate, DLD should be keep the default value 8'h00

Offset 06H(default=00)--- RS-485 Mode Control Register (RS485). Accessable when LCR[7]=1,LCR!=0xBF and ASR[7]=1		
Bit	Type	Description
[7:6]	RO	Reserved
5	RW	Auto RS-485 Polarity Inversion This bit changes the polarity of the Auto RS-485 Direction Control output pin (RTS#). It will only affect the behavior of RTS# if RS485[4]=1 0 = RTS# output is HIGH when transmitting and LOW when receiving 1 = RTS# output is LOW when transmitting and HIGH when receiving
4	RW	Auto RS-485 direction control This bit enables the transmitter to control RTS# pin 0 = transmitter does not control RTS# pin 1 = transmitter controls RTS# pin
[3:1]	RO	Reserved
0	RW	when set, enable RS-485 9-bit mode

Offset 06H(default=00H)--- Transmission Control Register (TCR). Accessable when LCR[7]=0, MCR[6]=1.		
Bit	Type	Description
[7:4]	RW	RX FIFO Resume level. When the RX FIFO is less than or equal to the value(decimal value of TCR[7:4] multiplied by 4),the RTS# output will be re-asserted if Auto RTS flow is used or XON character will be transmitted if Auto XON/XOFF flow control is used. It is recommended that this value is less than the RX Trigger Level. if TCR[7:4] is zero, the RX FIFO Resume level is defined by FCR/FCTR register(Table A-D)
[3:0]	RW	RX FIFO Halt level. When the RX FIFO is greater than or equal to the value(decimal value of TCR[3:0] multiplied by 4),the RTS# output will be de-asserted if Auto RTS flow is used or XOFF character will be transmitted if Auto XON/XOFF flow control is used. It is recommended that this value is greater than the RX Trigger Level. if TCR[3:0] is zero, the RX FIFO Halt level is defined by FCR/FCTR register(Table A-D)

Offset 07H(default=00H)--- Trigger Level Register (TLR). Accessable when LCR[7]=0, MCR[6]=1.		
Bit	Type	Description
[7:4]	RW	RX FIFO Trigger level. When the number of characters received in RX FIFO is greater than or equal to the value(decimal value of TLR[7:4] multiplied by 4), a Receive Data Ready interrupt is generated. If TLR[7:4]=0x0, then the RX FIFO Trigger Level is the value selected by FCR[7:6] if TLR[7:4] is zero, the RX FIFO Trigger level is defined by FCR/FCTR register(Table A-D)

[3:0]	RW	TX FIFO Trigger level. When the number of available space in TX FIFO is greater than or equal to the value(decimal value of TLR[3:0] multiplied by 4), a Transmit Ready interrupt is generated. If TLR[3:0]=0x0, then the TX FIFO Trigger Level is the value selected by FCR[5:4] if TLR[3:0] is zero, the TX FIFO Trigger level is defined by FCR/FCTR register(Table A-D)
Offset 07H(default=FFH)--- FIFO Status Ready Register (FSRDY). Accessable when LCR[7]=0,MCR[4]=0,MCR[2]=1,ASR[0]=0, and any of CSA-B = 0		
Bit	Type	Description
[7:4]	RO	Channel B-A RX FIFO status.
[3:0]	RO	Channel B-A TX FIFO status.

Maximum Ratings

(Above which useful life may be impaired. For user guidelines, not tested.)

Power Supply Range.....	3.8V
Voltage at IO Pins	GND-0.3V to 5.5V
Storage Temperature	-65°C to +150°C
Junction Temperature	125°C

Note: Stresses greater than those listed under MAXIMUM RATINGS may cause permanent damage to the device. This is a stress rating only and functional operation of the device at these or any other conditions above those indicated in the operational sections of this specification is not implied. Exposure to absolute maximum rating conditions for extended periods may affect reliability.

DC Electrical Characteristics

TA = -40°C to 85°C, VCC is 1.62V to 3.6V

Symbol	Parameter	1.8V		2.5V		3.3V		Unit	Conditions
		Min.	Max.	Min.	Max.	Min.	Max.		
V _{ILCK}	Clock input low level	-0.3	0.3	-0.3	0.6	-0.3	0.6	V	
V _{IHCK}	Clock input high level	1.4	VCC	1.8	VCC	2.4	VCC	V	
V _{IL}	Input low voltage	-0.3	0.2	-0.3	0.5	-0.3	0.7	V	
V _{IH}	Input high voltage	1.4	5.5	1.8	5.5	2.0	5.5	V	
V _{OL}	Output low voltage						0.4	V	I _{OL} = 4 mA
							0.4	V	I _{OL} = 2 mA
			0.4					V	I _{OL} = 1.5 mA
V _{OH}	Output high voltage							V	I _{OH} = -1 mA
				1.8				V	I _{OH} = -400 uA
		1.4				2.0		V	I _{OH} = -200 uA
I _{IL}	Input low leakage current		10		-10		-10	uA	
I _{IH}	Input high leakage current		10		10		10	uA	
C _{IN}	Input pin capacitance		5		5		5	pF	
I _{CC}	Power supply current		10		10		15	mA	EXT Clock=14.75MHz All inputs at VCC or GND and outputs unloaded
I _{SLEEP}	Sleep current		300		350		400	uA	Two UARTs asleep. All inputs at VCC or GND and outputs unloaded.

Note: 5.5V steady voltage tolerance on inputs and outputs is valid only when the supply voltage is present.

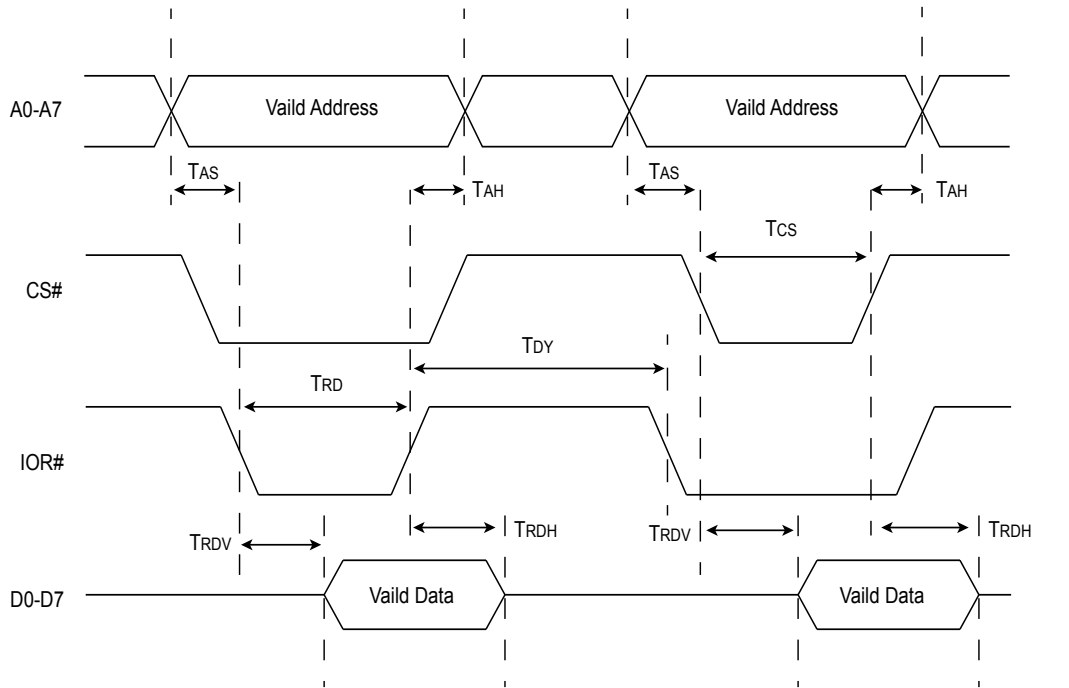
AC Electrical Characteristic

TA = -40°C to +85°C, V_{CC} is 1.62V to 3.6V, 70pF load where applicable

Symbol	Parameter			Unit
		Min.	Max.	
T _{Cl,Tc2}	Clock Pulse Period	6		ns
T _{OSC}	Crystal Frequency		24	MHz
T _{ECK}	External Clock Frequency		80	MHz
T _{AS}	Address Setup (16 Mode)	0		ns
T _{AH}	Address Hold (16 Mode)	0		ns
T _{CS}	Chip Select Width (16 Mode)	20		ns
T _{DY}	Delay between CS# Active Cycles (16 Mode)	20		ns
T _{RD}	Read Strobe Width (16 Mode)	20		ns
T _{WR}	Write Strobe Width (16 Mode)	20		ns
T _{RDV}	Read Data Valid (16 Mode)		30	ns
T _{WDS}	Write Data Setup (16 Mode)	10		ns
T _{RDH}	Read Data Hold (16 Mode)		10	ns
T _{WDH}	Write Data Hold (16 Mode)	5		ns
T _{ADS}	Address Setup (68 Mode)	0		ns
T _{ADH}	Address Hold (68 Mode)	0		ns
T _{RWS}	R/W# Setup to CS# (68 Mode)	0		ns
T _{RNA}	Read Data Access (68 mode)		30	ns
T _{RDH}	Read Data Hold (68 mode)		10	ns
T _{WDS}	Write Data Setup (68 mode)	10		ns
T _{WDH}	Write Data Hold (68 Mode)	5		ns
T _{RWH}	CS# De-asserted to R/W# De-asserted (68 Mode)	1		ns
T _{CSL}	CS# Width (68 Mode)	15		ns
T _{CSD}	CS# Cycle Delay (68 Mode)	20		ns
T _{WDO}	Delay from IOW# to Modem Output		50	ns
T _{MOD}	Delay to set Interrupt from Modem Input		50	ns
T _{RSI}	Delay To Reset Interrupt From IOR#		50	ns
T _{SSI}	Delay From Stop To Set Interrupt		1	Bclk
T _{RRi}	Delay From IOR# To Reset Interrupt		45	ns
T _{SI}	Delay From Stop To Interrupt		45	ns
T _{WRi}	Delay From IOW# To Reset Interrupt		45	ns
T _{RST}	Reset Pulse	40		ns
T _{WT}	Delay From IOW# To Set TXRDT#		45	ns

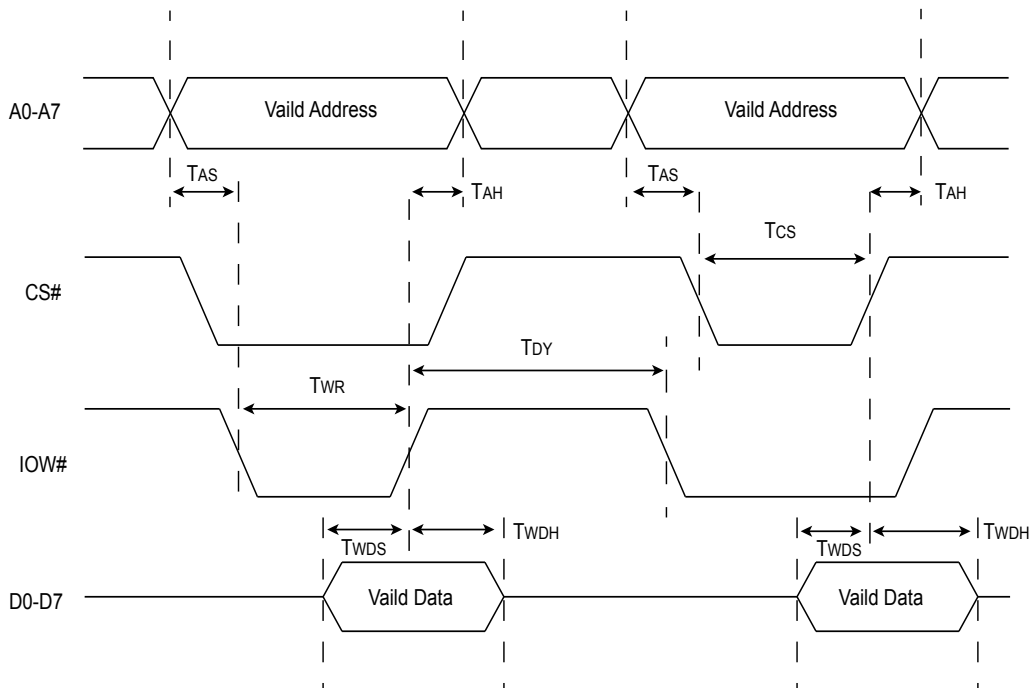
PI7C9X752

Pin Name	Parameter	Min.	Max.	Unit
T _{SSR}	Delay From Stop To Set RXRDY#		1	Bclk
T _{RR}	Delay From IOR# To Reset RXRDY#		45	ns
T _{SRT}	Delay From Center of Start To Reset TXRDY#		8	Bclk
Bclk	Baud Clock	16X or 8X of data rate		Hz



16 Mode (Intel) Data Bus Read Timing

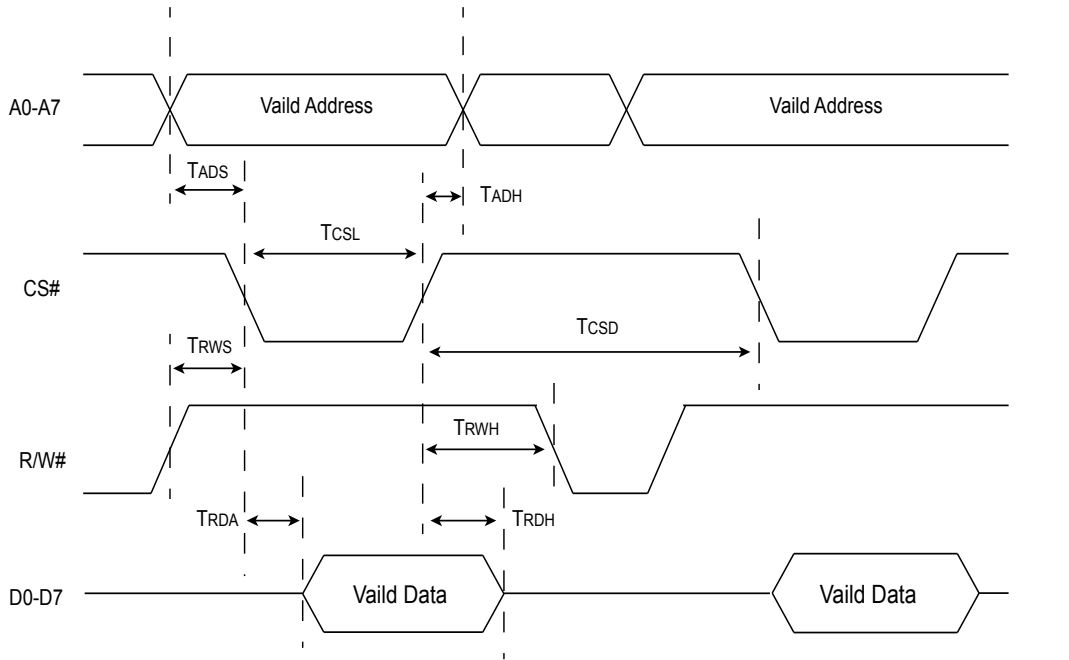
16Read



16 Mode (Intel) Data Bus Write Timing

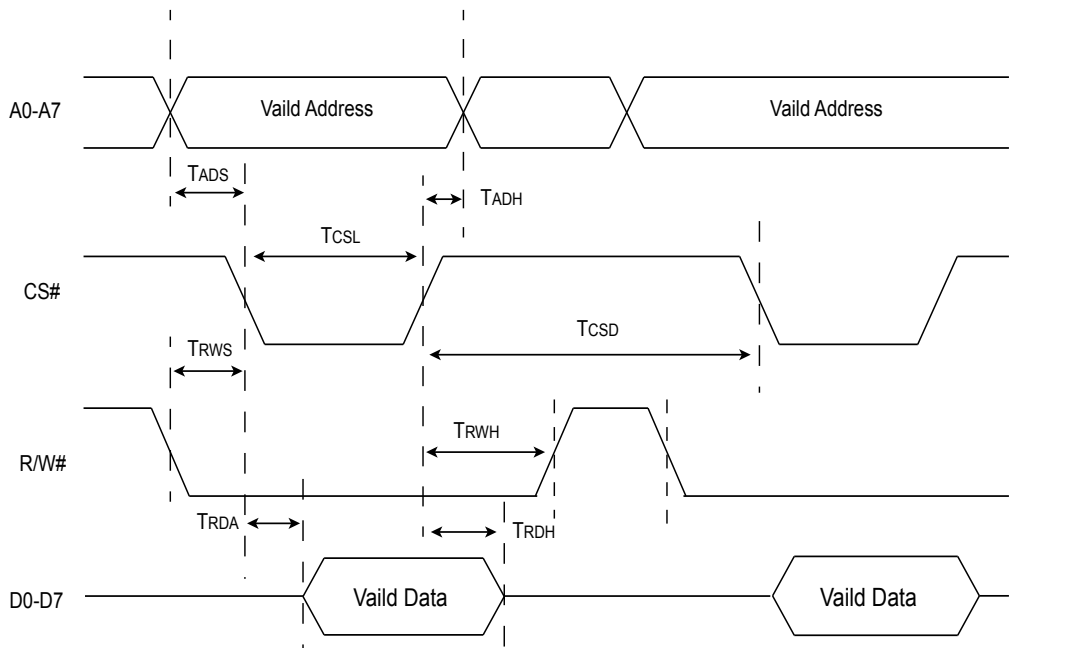
16Write

Figure 10. 16 Mode (intel) data bus read and write timing



68 Mode (Motorola) Data Bus Read Timing

68Read



68 Mode (Motorola) Data Bus Write Timing

68Write

Figure 11. 68 Mode (motorola) data bus read and write timing

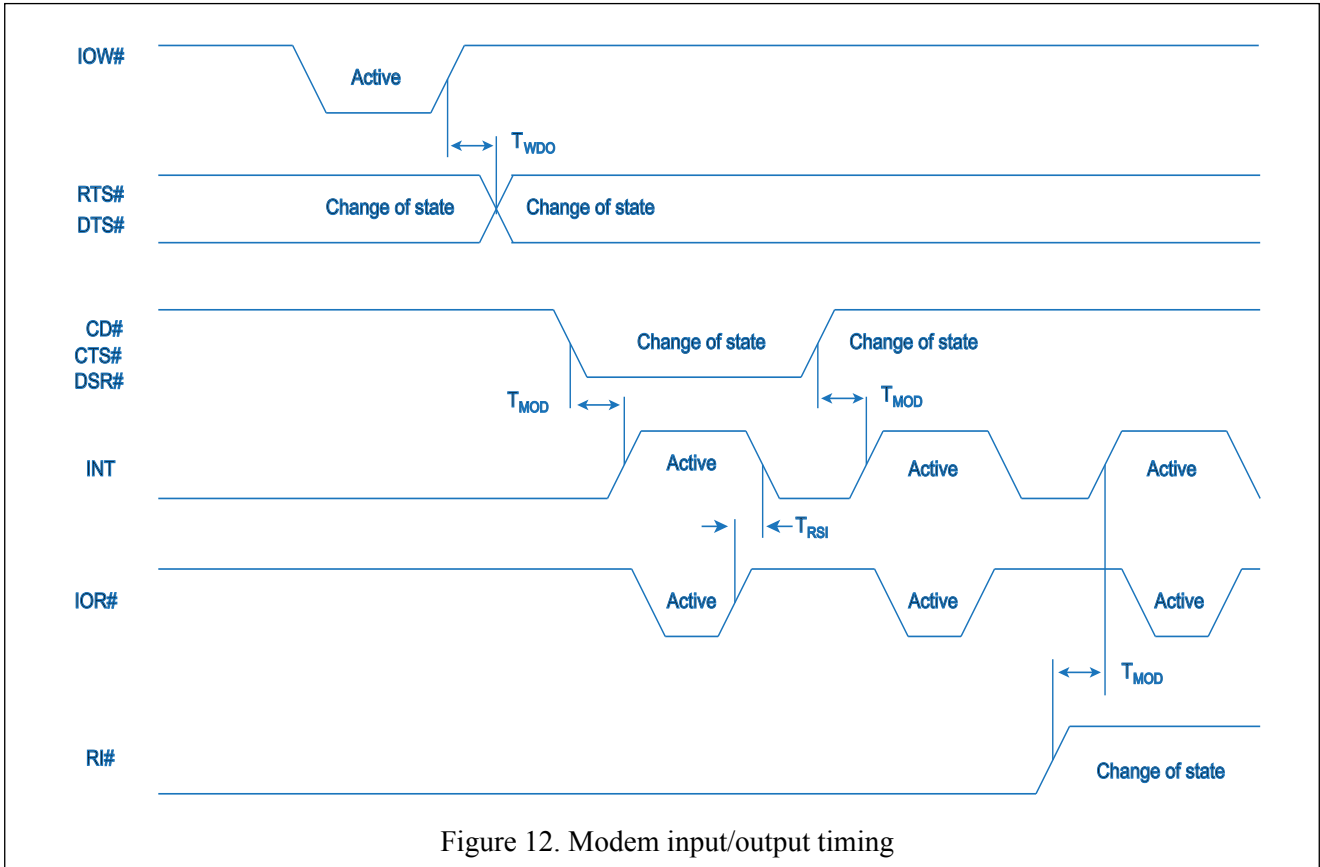


Figure 12. Modem input/output timing

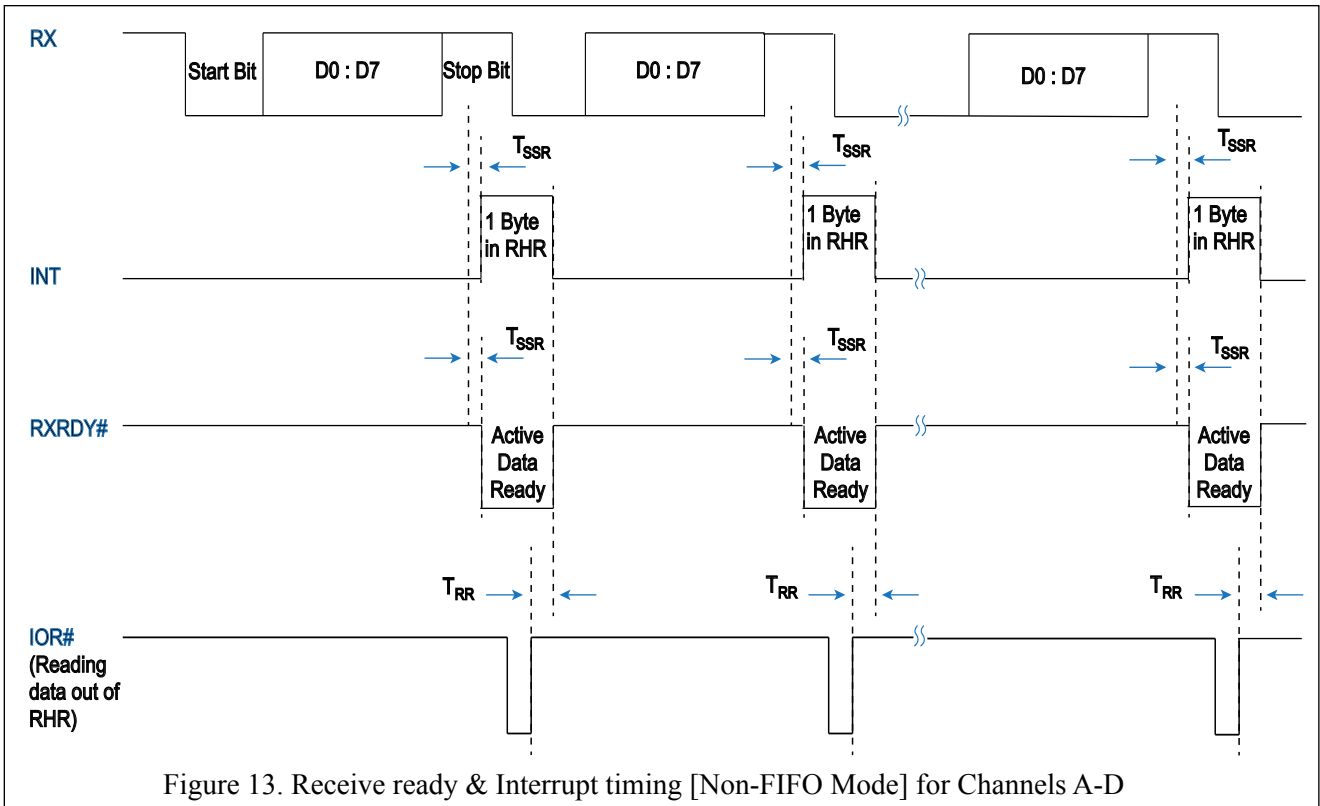
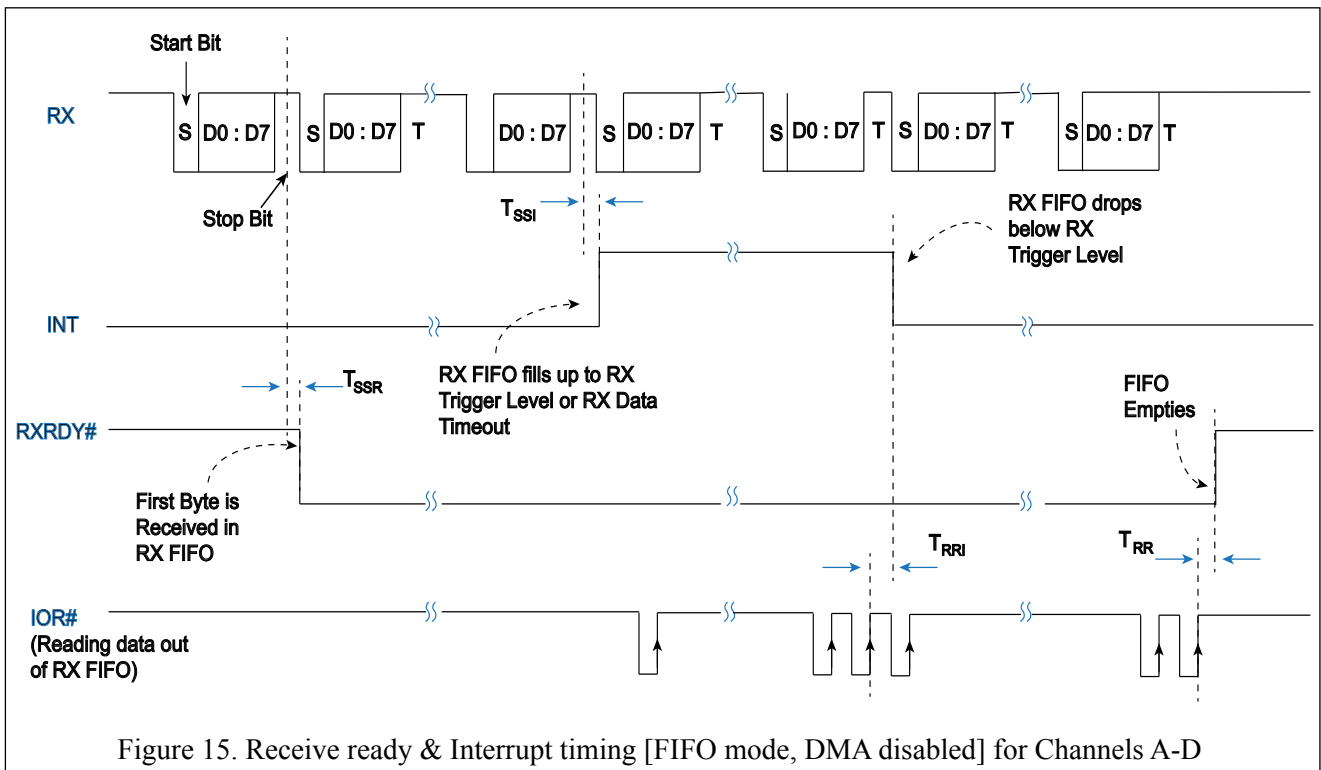
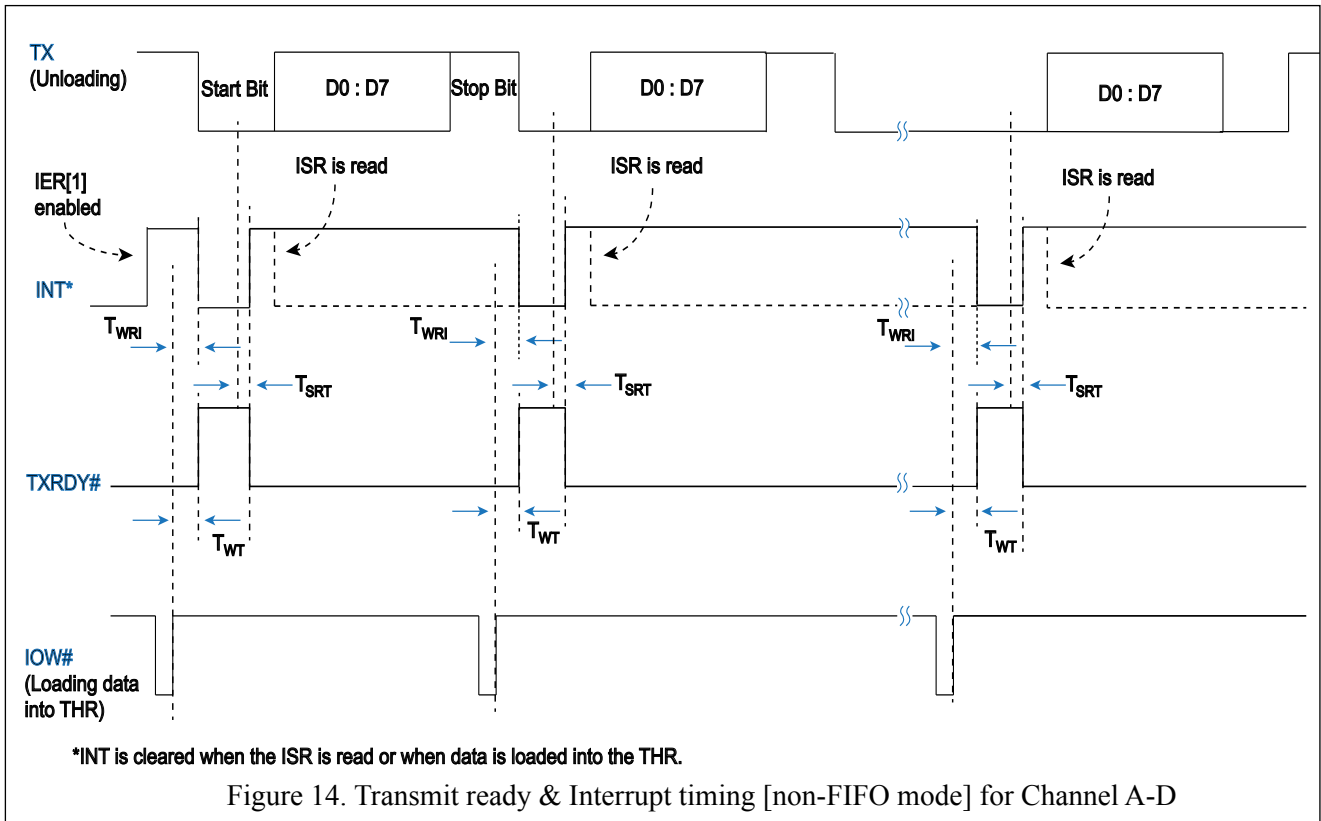
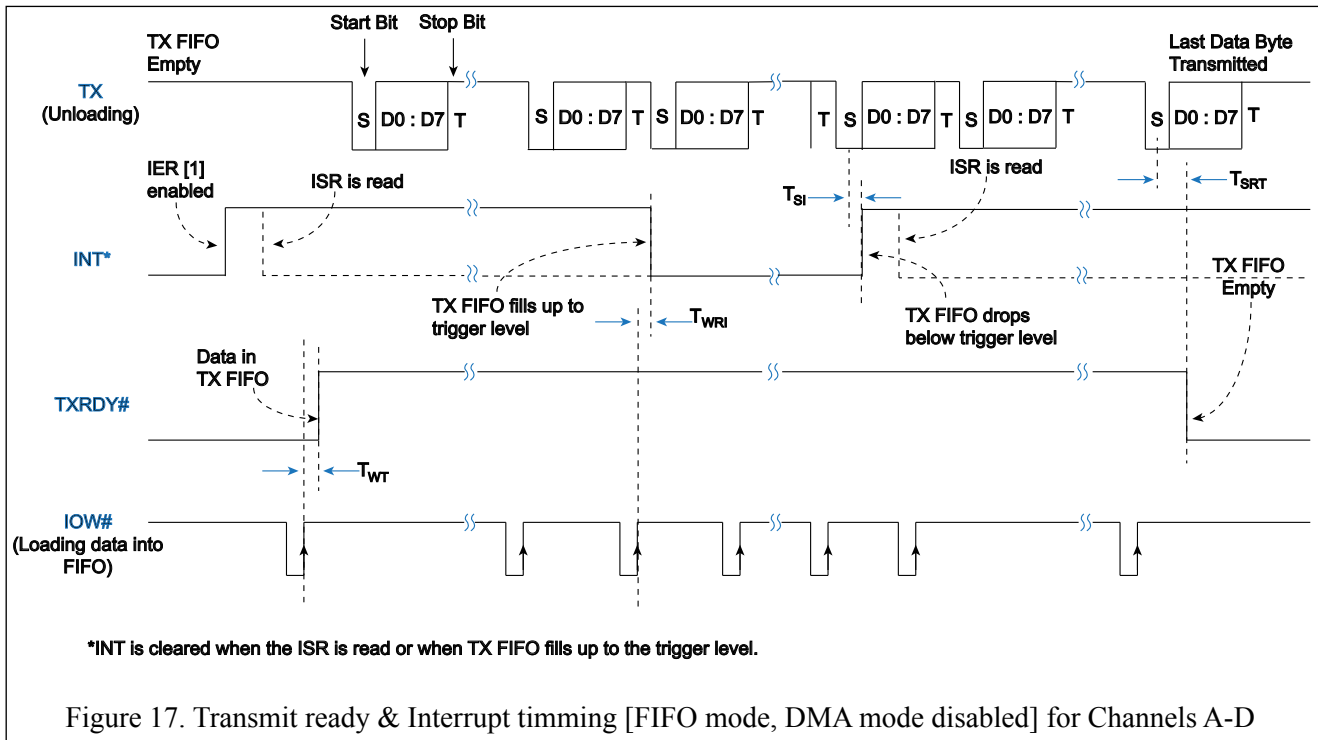
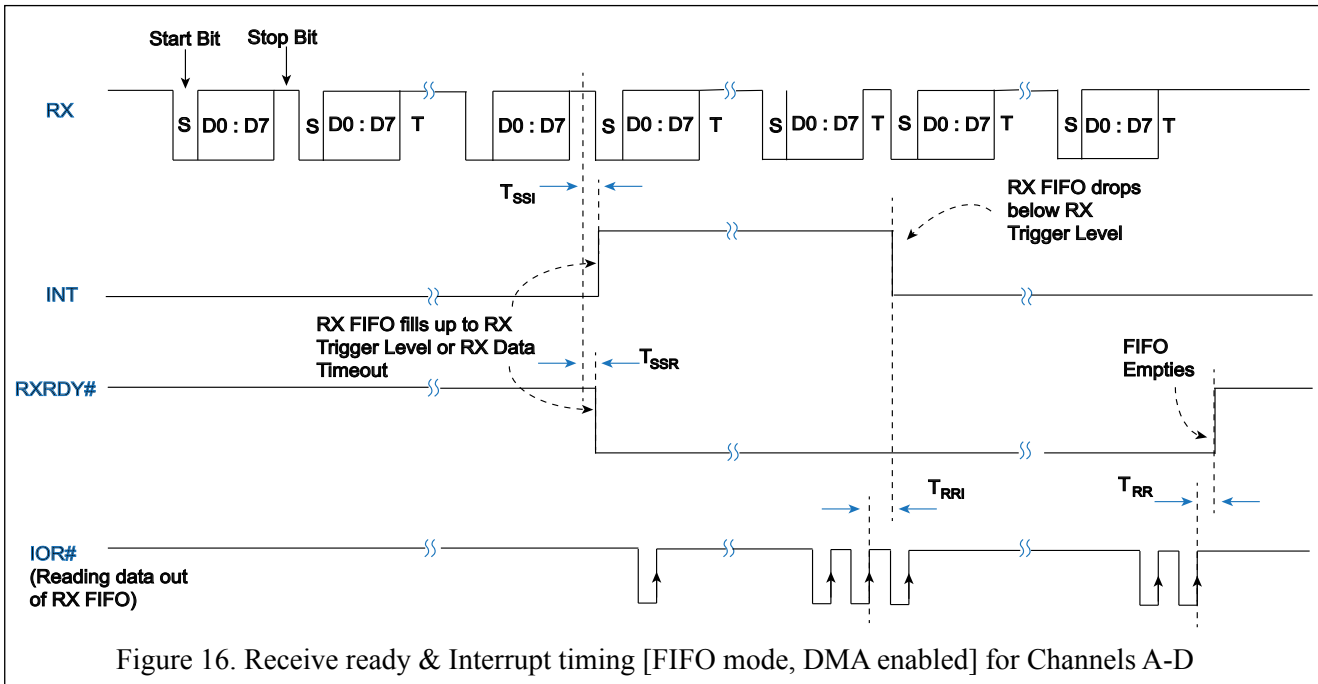
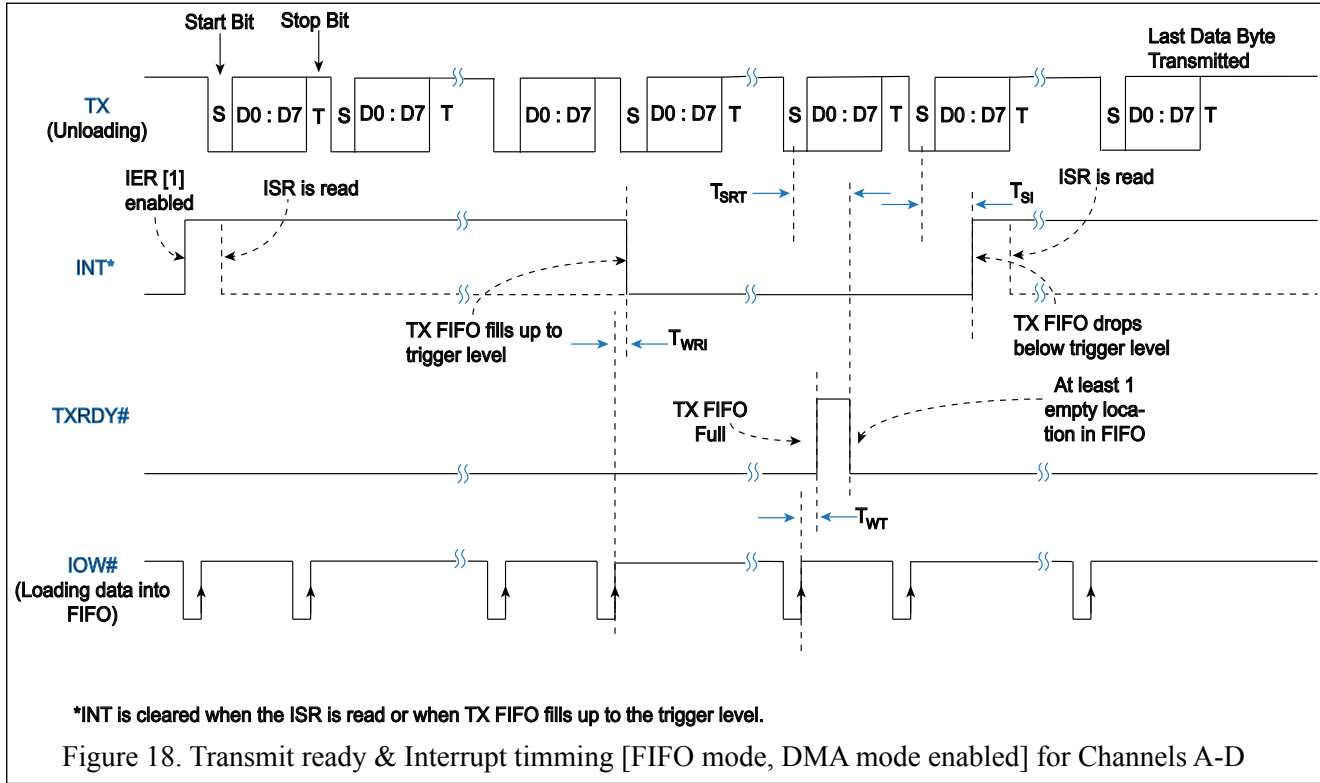


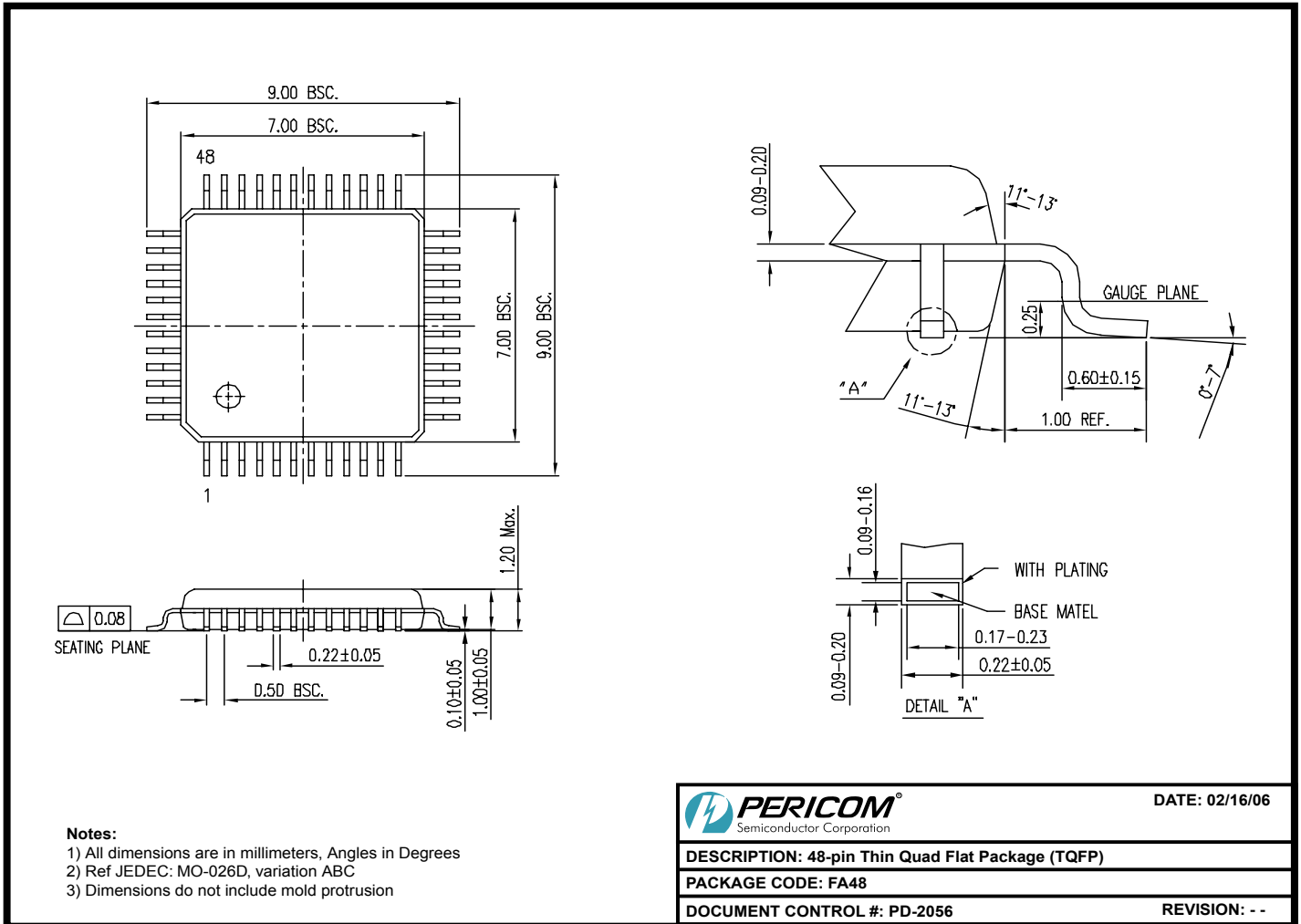
Figure 13. Receive ready & Interrupt timing [Non-FIFO Mode] for Channels A-D







Packaging Mechanical: 48-TQFP



06-0182

For latest package info.

please check: <http://www.diodes.com/design/support/packaging/pericom-packaging/packaging-mechanicals-and-thermal-characteristics/>

Ordering Information

Ordering Number	Package Code	Package Description
PI7C9X752FAEX	FA	48-Pin, Thin Quad Flat Package (TQFP)

Notes:

- Thermal characteristics can be found on the company web site at www.diodes.com/design/support/packaging/
- E = Pb-free and Green
- X suffix = Tape/Reel

IMPORTANT NOTICE

DIODES INCORPORATED MAKES NO WARRANTY OF ANY KIND, EXPRESS OR IMPLIED, WITH REGARDS TO THIS DOCUMENT, INCLUDING, BUT NOT LIMITED TO, THE IMPLIED WARRANTIES OF MERCHANTABILITY AND FITNESS FOR A PARTICULAR PURPOSE (AND THEIR EQUIVALENTS UNDER THE LAWS OF ANY JURISDICTION).

Diodes Incorporated and its subsidiaries reserve the right to make modifications, enhancements, improvements, corrections or other changes without further notice to this document and any product described herein. Diodes Incorporated does not assume any liability arising out of the application or use of this document or any product described herein; neither does Diodes Incorporated convey any license under its patent or trademark rights, nor the rights of others. Any Customer or user of this document or products described herein in such applications shall assume all risks of such use and will agree to hold Diodes Incorporated and all the companies whose products are represented on Diodes Incorporated website, harmless against all damages.

Diodes Incorporated does not warrant or accept any liability whatsoever in respect of any products purchased through unauthorized sales channel.

Should Customers purchase or use Diodes Incorporated products for any unintended or unauthorized application, Customers shall indemnify and hold Diodes Incorporated and its representatives harmless against all claims, damages, expenses, and attorney fees arising out of, directly or indirectly, any claim of personal injury or death associated with such unintended or unauthorized application.

Products described herein may be covered by one or more United States, international or foreign patents pending. Product names and markings noted herein may also be covered by one or more United States, international or foreign trademarks.

This document is written in English but may be translated into multiple languages for reference. Only the English version of this document is the final and definitive format released by Diodes Incorporated.

LIFE SUPPORT

Diodes Incorporated products are specifically not authorized for use as critical components in life support devices or systems without the express written approval of the Chief Executive Officer of Diodes Incorporated. As used herein:

- A. Life support devices or systems are devices or systems which:
 - 1. are intended to implant into the body, or
 - 2. support or sustain life and whose failure to perform when properly used in accordance with instructions for use provided in the labeling can be reasonably expected to result in significant injury to the user.
- B. A critical component is any component in a life support device or system whose failure to perform can be reasonably expected to cause the failure of the life support device or to affect its safety or effectiveness.

Customers represent that they have all necessary expertise in the safety and regulatory ramifications of their life support devices or systems, and acknowledge and agree that they are solely responsible for all legal, regulatory and safety-related requirements concerning their products and any use of Diodes Incorporated products in such safety-critical, life support devices or systems, notwithstanding any devices- or systems-related information or support that may be provided by Diodes Incorporated. Further, Customers must fully indemnify Diodes Incorporated and its representatives against any damages arising out of the use of Diodes Incorporated products in such safety-critical, life support devices or systems.

Copyright © 2016, Diodes Incorporated

www.diodes.com

PI7C9X752

Revision History

Data	Revision number	Description
10/27/2014	1.0	First Release
06/13/2017	1.1	Change Logo Updated Maximum Rating Table
10/25/2017	2	Revision numbering system changed to whole number

Mouser Electronics

Authorized Distributor

Click to View Pricing, Inventory, Delivery & Lifecycle Information:

[Diodes Incorporated:](#)

[PI7C9X752FAEX](#)

Компания «Океан Электроники» предлагает заключение долгосрочных отношений при поставках импортных электронных компонентов на взаимовыгодных условиях!

Наши преимущества:

- Поставка оригинальных импортных электронных компонентов напрямую с производств Америки, Европы и Азии, а так же с крупнейших складов мира;
- Широкая линейка поставок активных и пассивных импортных электронных компонентов (более 30 млн. наименований);
- Поставка сложных, дефицитных, либо снятых с производства позиций;
- Оперативные сроки поставки под заказ (от 5 рабочих дней);
- Экспресс доставка в любую точку России;
- Помощь Конструкторского Отдела и консультации квалифицированных инженеров;
- Техническая поддержка проекта, помощь в подборе аналогов, поставка прототипов;
- Поставка электронных компонентов под контролем ВП;
- Система менеджмента качества сертифицирована по Международному стандарту ISO 9001;
- При необходимости вся продукция военного и аэрокосмического назначения проходит испытания и сертификацию в лаборатории (по согласованию с заказчиком);
- Поставка специализированных компонентов военного и аэрокосмического уровня качества (Xilinx, Altera, Analog Devices, Intersil, Interpoint, Microsemi, Actel, Aeroflex, Peregrine, VPT, Syfer, Eurofarad, Texas Instruments, MS Kennedy, Miteq, Cobham, E2V, MA-COM, Hittite, Mini-Circuits, General Dynamics и др.);

Компания «Океан Электроники» является официальным дистрибьютором и эксклюзивным представителем в России одного из крупнейших производителей разъемов военного и аэрокосмического назначения «JONHON», а так же официальным дистрибьютором и эксклюзивным представителем в России производителя высокотехнологичных и надежных решений для передачи СВЧ сигналов «FORSTAR».



JONHON

«JONHON» (основан в 1970 г.)

Разъемы специального, военного и аэрокосмического назначения:

(Применяются в военной, авиационной, аэрокосмической, морской, железнодорожной, горно- и нефтедобывающей отраслях промышленности)

«FORSTAR» (основан в 1998 г.)

ВЧ соединители, коаксиальные кабели, кабельные сборки и микроволновые компоненты:

(Применяются в телекоммуникациях гражданского и специального назначения, в средствах связи, РЛС, а так же военной, авиационной и аэрокосмической отраслях промышленности).



Телефон: 8 (812) 309-75-97 (многоканальный)

Факс: 8 (812) 320-03-32

Электронная почта: ocean@oceanchips.ru

Web: <http://oceanchips.ru/>

Адрес: 198099, г. Санкт-Петербург, ул. Калинина, д. 2, корп. 4, лит. А