

### Features

- Secondary-side high speed controller for synchronous rectification in resonant half bridge topologies
- 200V proprietary IC technology
- Max 500KHz switching frequency
- Anti-bounce logic and UVLO protection
- 4A peak turn off drive current
- Micropower start-up & ultra low quiescent current
- 10.7V gate drive clamp
- 70ns turn-off propagation delay
- Wide Vcc operating range
- Direct sensing for both Synchronous Rectifiers
- Minimal component count
- Simple design
- Lead-free

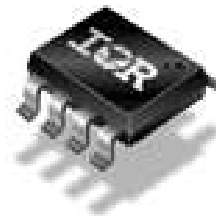
### Typical Applications

- LCD & PDP TV, Telecom SMPS, AC-DC adapters

### Product Summary

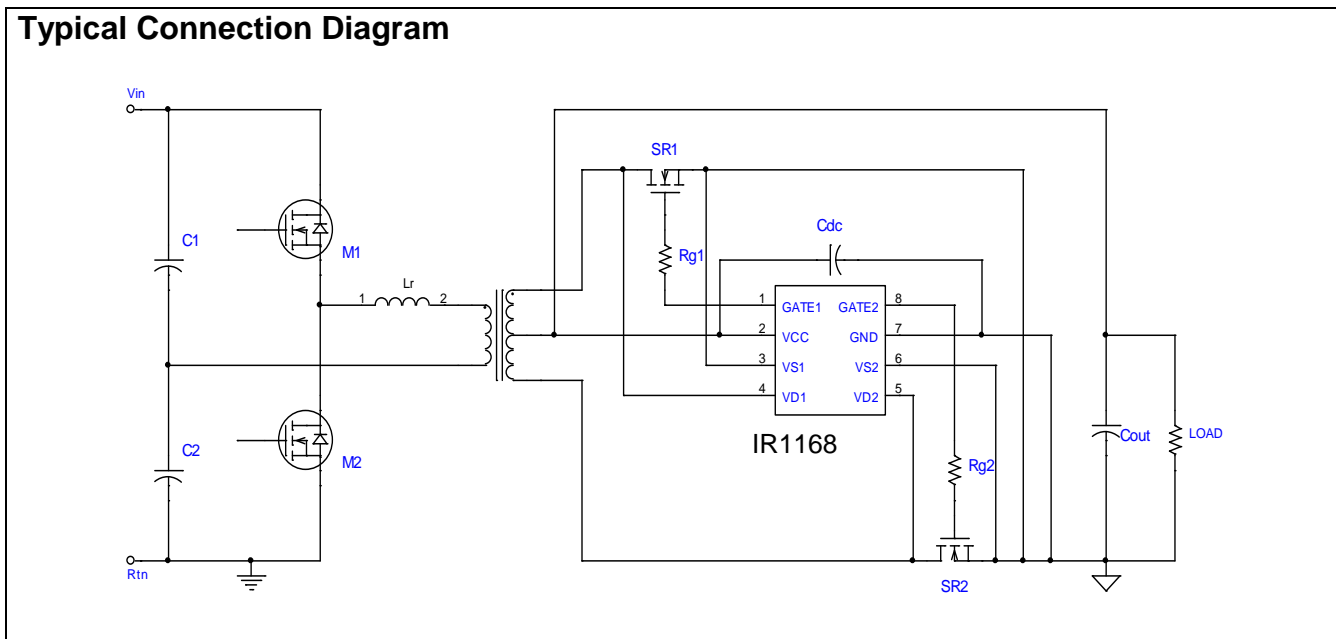
Topology	LLC Half-bridge
VD	200V
V <sub>OUT</sub>	10.7V Clamped
I <sub>o+</sub> & I <sub>o-</sub> (typical)	+1A & -4A
Turn on Propagation Delay	60ns (typical)
Turn off Propagation Delay	70ns (typical)

### Package Options



8-Lead SOIC

### Typical Connection Diagram



<b>Table of Contents</b>	<b>Page</b>
Description	3
Qualification Information	4
Absolute Maximum Ratings	5
Electrical Characteristics	6
Functional Block Diagram	8
Input/Output Pin Equivalent Circuit Diagram	9
Lead Definitions	10
Lead Assignments	10
Application Information and Additional Details	12
Package Details	16
Tape and Reel Details	17
Part Marking Information	18
Ordering Information	19

## **Description**

IR1168 is dual smart secondary-side rectifier driver IC designed to drive two N-Channel power MOSFETs used as synchronous rectifiers in resonant converter applications. The IC can control one or more paralleled N MOSFETs to emulate the behavior of Schottky diode rectifiers. The drain to source for each rectifier MOSFET voltage is sensed differentially to determine the level of the current and the power switch is turned ON and OFF in close proximity of the zero current transition. Ruggedness and noise immunity are accomplished using an advanced blanking scheme and double-pulse suppression that allows reliable operation in fixed and variable frequency applications.

**Qualification Information<sup>†</sup>**

Qualification Level		Industrial <sup>††</sup>	
		Comments: This family of ICs has passed JEDEC's Industrial qualification. IR's Consumer qualification level is granted by extension of the higher Industrial level.	
Moisture Sensitivity Level		SOIC8N	MSL2 <sup>†††</sup> 260°C (per IPC/JEDEC J-STD-020)
ESD	Machine Model	Class B (per JEDEC standard JESD22-A115)	
	Human Body Model	Class 2 (per EIA/JEDEC standard EIA/JESD22-A114)	
IC Latch-Up Test		Class I, Level A (per JESD78)	
RoHS Compliant		Yes	

† Qualification standards can be found at International Rectifier's web site <http://www.irf.com/>

†† Higher qualification ratings may be available should the user have such requirements. Please contact your International Rectifier sales representative for further information.

††† Higher MSL ratings may be available for the specific package types listed here. Please contact your International Rectifier sales representative for further information.

**Absolute Maximum Ratings**

Absolute maximum ratings indicate sustained limits beyond which damage to the device may occur. All voltage parameters are absolute voltages referenced to COM, all currents are defined positive into any lead. The thermal resistance and power dissipation ratings are measured under board mounted and still air conditions.

Parameters	Symbol	Min.	Max.	Units	Remarks
Supply Voltage	$V_{CC}$	-0.3	20	V	
Cont. Drain Sense Voltage	$V_D$	-3	200	V	
Pulse Drain Sense Voltage	$V_D$	-5	200	V	
Source Sense Voltage	$V_S$	-3	20	V	
Gate Voltage	$V_{GATE}$	-0.3	20	V	$V_{CC}=20V$ , Gate off
Operating Junction Temperature	$T_J$	-40	150	°C	
Storage Temperature	$T_S$	-55	150	°C	
Thermal Resistance	$R_{\theta JA}$		128	°C/W	SOIC-8
Package Power Dissipation	$P_D$		970	mW	SOIC-8, $T_{AMB}=25^{\circ}C$
Switching Frequency	fsw		500	kHz	

### Electrical Characteristics

The electrical characteristics involve the spread of values guaranteed within the specified supply voltage and junction temperature range  $T_J$  from  $-25^{\circ}\text{C}$  to  $125^{\circ}\text{C}$ . Typical values represent the median values, which are related to  $25^{\circ}\text{C}$ . If not otherwise stated, a supply voltage of  $V_{CC} = 15\text{V}$  is assumed for test condition.

#### Supply Section

Parameters	Symbol	Min.	Typ.	Max.	Units	Remarks
Supply Voltage Operating Range	$V_{CC}$	8.6		18	V	GBD
$V_{CC}$ Turn On Threshold	$V_{CC\text{ON}}$	7.5	8.1	8.5	V	
$V_{CC}$ Turn Off Threshold (Under Voltage Lock Out)	$V_{CC\text{UVLO}}$	7	7.6	8	V	
$V_{CC}$ Turn On/Off Hysteresis	$V_{CC\text{HYST}}$		0.5		V	
Operating Current	$I_{CC}$		14	18	mA	$C_{\text{LOAD}} = 1\text{nF}$ , $f_{\text{SW}} = 400\text{kHz}$
			48	60	mA	$C_{\text{LOAD}} = 4.7\text{nF}$ , $f_{\text{SW}} = 400\text{kHz}$
Quiescent Current	$I_{\text{QCC}}$		2.6	3.8	mA	
Start-up Current	$I_{\text{CC}\text{START}}$			140	$\mu\text{A}$	$V_{CC} = V_{CC\text{ON}} - 0.1\text{V}$

#### Comparator Section

Parameters	Symbol	Min.	Typ.	Max.	Units	Remarks
Turn-off Threshold	$V_{\text{TH1}}$	-12	-6	0	mV	
Turn-on Threshold	$V_{\text{TH2}}$	-220	-140	-80	mV	
Hysteresis	$V_{\text{HYST}}$		141		mV	
Input Bias Current	$I_{\text{BIAS1}}$		1	10	$\mu\text{A}$	$V_{\text{D}} = -50\text{mV}$
Input Bias Current	$I_{\text{BIAS2}}$		10	50	$\mu\text{A}$	$V_{\text{D}} = 200\text{V}$
Comparator Input Offset	$V_{\text{OFFSET}}$			2	mV	GBD

#### One-Shot Section

Parameters	Symbol	Min.	Typ.	Max.	Units	Remarks
Blanking pulse duration	$t_{\text{BLANK}}$	9	17	25	$\mu\text{s}$	
Reset Threshold	$V_{\text{TH3}}$		2.5		V	$V_{CC} = 10\text{V}$ – GBD
			5.4		V	$V_{CC} = 20\text{V}$ – GBD
Hysteresis	$V_{\text{HYST3}}$		40		mV	$V_{CC} = 10\text{V}$ - GBD

#### Minimum On Time Section

Parameters	Symbol	Min.	Typ.	Max.	Units	Remarks
Minimum on time	$T_{\text{ONmin}}$	500	750	1000	ns	

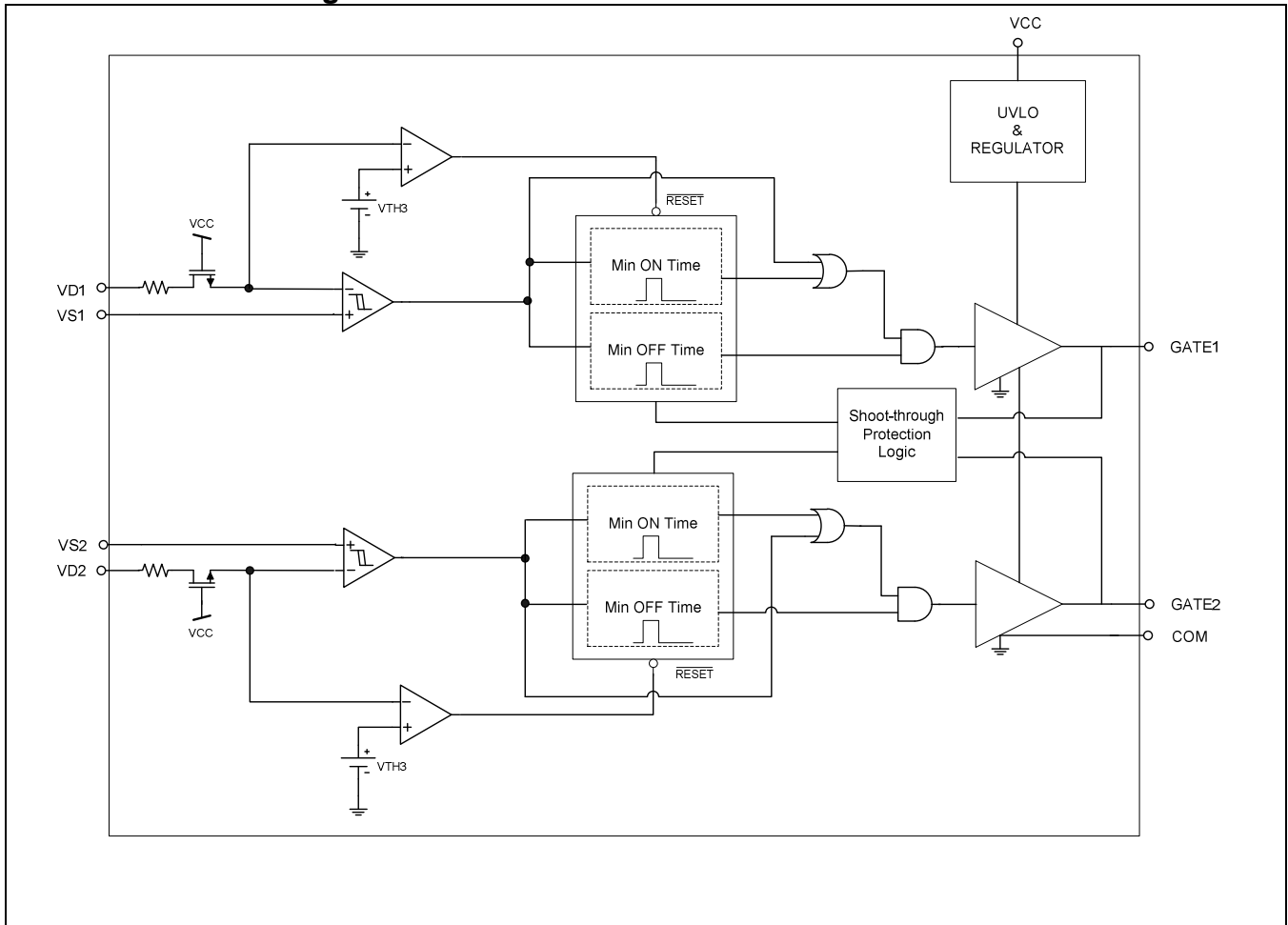
**Electrical Characteristics**

The electrical characteristics involve the spread of values guaranteed within the specified supply voltage and junction temperature range  $T_J$  from  $-25^{\circ}\text{C}$  to  $125^{\circ}\text{C}$ . Typical values represent the median values, which are related to  $25^{\circ}\text{C}$ . If not otherwise stated, a supply voltage of  $V_{CC} = 15\text{V}$  is assumed for test condition.

**Gate Driver Section**

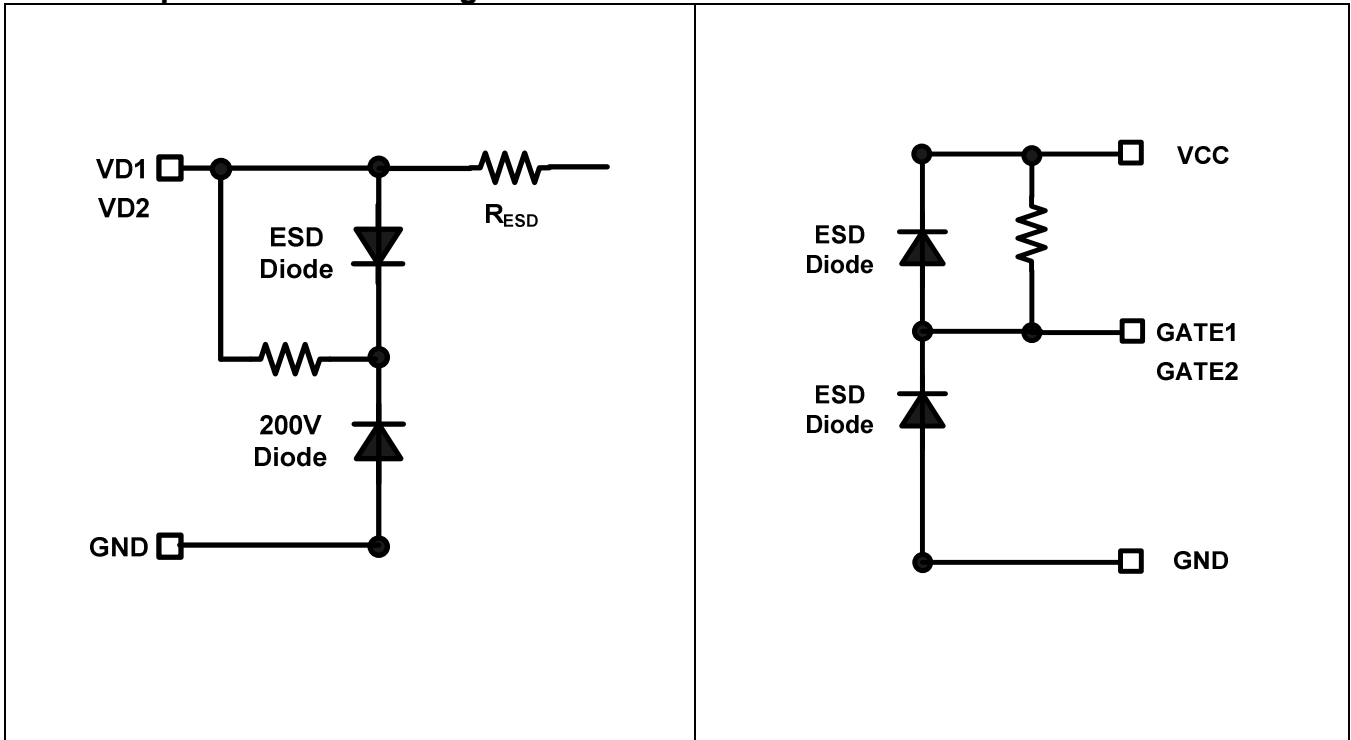
Parameters	Symbol	Min.	Typ.	Max.	Units	Remarks
Gate Low Voltage	$V_{GLO}$		0.3	0.5	V	$I_{GATE} = 200\text{mA}$
Gate High Voltage	$V_{GTH}$	8.5	10.7	13.5	V	$V_{CC} = 12\text{V} - 18\text{V}$ (internally clamped)
Rise Time	$t_{r1}$		10		ns	$C_{LOAD} = 1\text{nF}$
	$t_{r2}$		80		ns	$C_{LOAD} = 4.7\text{nF}$
Fall Time	$t_{f1}$		5		ns	$C_{LOAD} = 1\text{nF}$
	$t_{f2}$		25		ns	$C_{LOAD} = 4.7\text{nF}$
Turn on Propagation Delay	$t_{Don}$		60	120	ns	$V_{DS}$ to $V_{GATE} - 100\text{mV}$ overdrive
Turn off Propagation Delay	$t_{Doff}$		70	120	ns	$V_{DS}$ to $V_{GATE} - 100\text{mV}$ overdrive
Pull up Resistance	$r_{up}$		5		$\Omega$	$I_{GATE} = 15\text{mA} - \text{GBD}$
Pull down Resistance	$r_{down}$		1.2		$\Omega$	$I_{GATE} = -200\text{mA}$
Output Peak Current (source)	$I_{O\ source}$		1		A	$C_{LOAD} = 1\text{nF} - \text{GBD}$
Output Peak Current (sink)	$I_{O\ sink}$		4		A	$C_{LOAD} = 1\text{nF} - \text{GBD}$

**Functional Block Diagram**





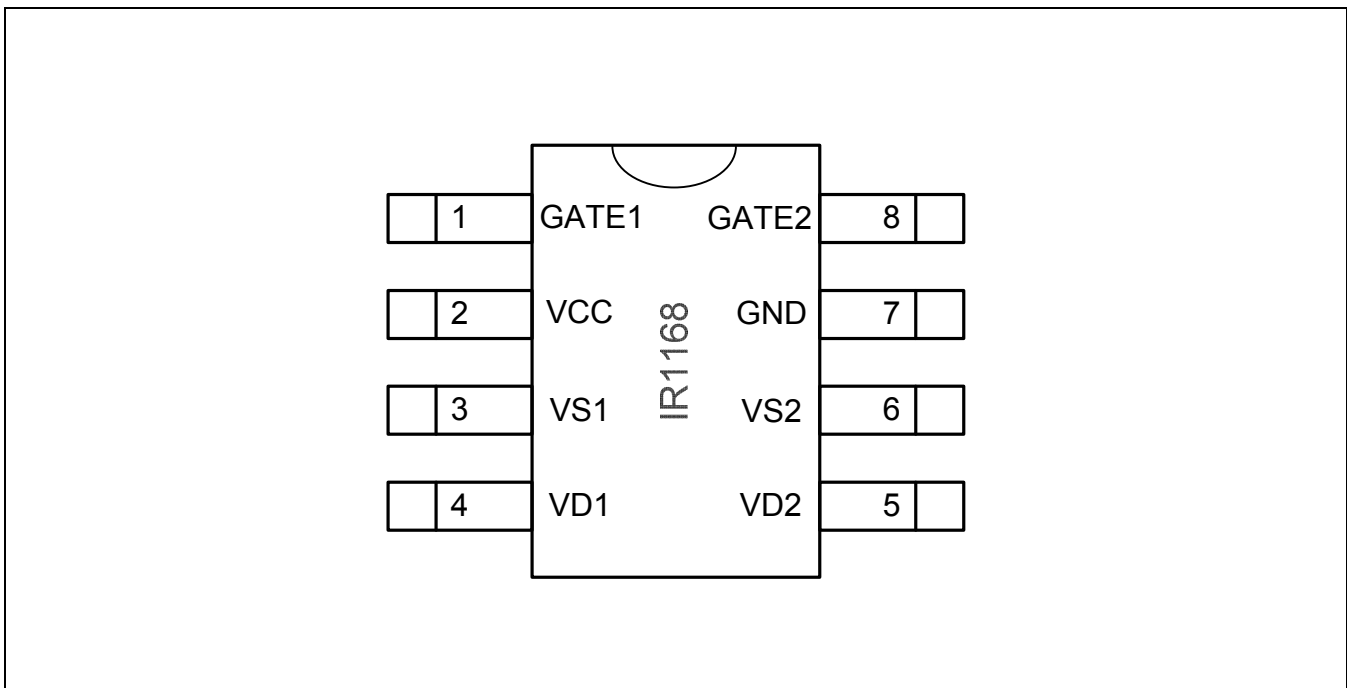
**I/O Pin Equivalent Circuit Diagram**



**Lead Definitions**

PIN#	Symbol	Description
1	GATE1	Gate Drive Output 1
2	VCC	Supply Voltage
3	VS1	Sync FET 1 Source Voltage Sense
4	VD1	Sync FET 1 Drain Voltage Sense
5	VD2	Sync FET 2 Drain Voltage Sense
6	VS2	Sync FET 2 Source Voltage Sense
7	GND	Analog and Power Ground
8	GATE2	Gate Drive Output 2

**Lead Assignments**



## Detailed Pin Description

### **VCC: Power Supply**

This is the supply voltage pin of the IC and it is monitored by the under voltage lockout circuit. It is possible to turn off the IC by pulling this pin below the minimum turn off threshold voltage, without damage to the IC.

To prevent noise problems, a bypass ceramic capacitor connected to Vcc and COM should be placed as close as possible to the IR1168. This pin is not internally clamped.

### **GND: Ground**

This is ground potential pin of the integrated control circuit. The internal devices and gate driver are referenced to this point.

### **VD1 and VD2: Drain Voltage Sense**

These are the two high-voltage pins used to sense the drain voltage of the two SR power MOSFETs. Routing between the drain of the MOSFET and the IC pin must be particularly optimized.

### **VS1 and VS2: Source Voltage Sense**

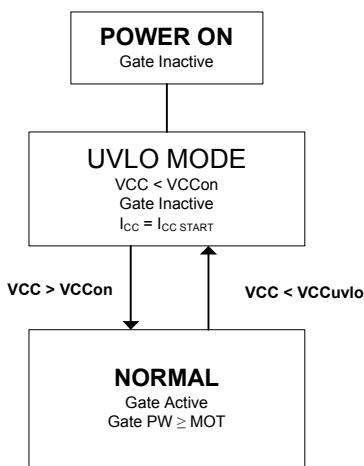
These are the two differential sense pins for the two source pins of the two SR power MOSFETs. This pin must not be connected directly to the GND pin (pin 7) but must be used to create a kelvin contact as close as possible to the power MOSFET source pin.

### **GATE1 and GATE2: Gate Drive Outputs**

These are the two gate drive outputs of the IC. The gate voltage is internally clamped and has a +1A/-4A peak drive capability. Although this pin can be directly connected to the synchronous rectifier (SR) MOSFET gate, the use of gate resistor is recommended (specifically when putting multiple MOSFETs in parallel). Care must be taken in order to keep the gate loop as short and as small as possible in order to achieve optimal switching performance.

**Application Information and Additional Details**

**State Diagram**



**UVLO Mode:**

The IC is in the UVLO mode when the VCC pin voltage is below VCCUVLO. The UVLO mode is accessible from any other state of operation. In the UVLO state, most of the internal circuitry is unbiased and the IC draws quiescent current of ICCSTART.

The IC remains in the UVLO condition until the voltage on the VCC pin exceeds the VCC turn on threshold voltage, VCC ON.

**Normal Mode:**

The IC enters in normal operating mode once the UVLO voltage has been exceeded. At this point the gate drivers are operating and the IC will draw a maximum of ICC from the supply voltage source.

## General Description

The IR1168 Dual Smart Rectifier controller IC is the industry first dedicated high-voltage controller IC for synchronous rectification in resonant converter applications. The IC can emulate the operation of the two secondary rectifier diodes by correctly driving the synchronous rectifier (SR) MOSFETs in the two secondary legs.

The core of this device are two high-voltage, high speed comparators which sense the drain to source voltage of the MOSFETs differentially. The device current is sensed using the  $R_{DS(ON)}$  as a shunt resistance and the GATE pin of the MOSFET is driven accordingly. Dedicated internal logic then manages to turn the power device on and off in close proximity of the zero current transition.

IR1168 further simplifies synchronous rectifier control by offering the following power management features:

- Wide VCC operating range allows the IC to be directly powered from the converter output
- Shoot through protection logic that prevents both the GATE outputs from the IC to be high at the same time
- Device turn ON and OFF in close proximity of the zero current transition with low turn-on and turn-off propagation delays; eliminates reactive power flow between the output capacitors and power transformer
- Internally clamped gate driver outputs that significantly reduce gate losses.

The SmartRectifier™ control technique is based on sensing the voltage across the MOSFET and comparing it with two negative thresholds to determine the turn on and off transitions for the device. The rectifier current is sensed by the input comparators using the power MOSFET  $R_{DS(ON)}$  as a shunt resistance and its GATE is driven depending on the level of the sensed voltage vs. the 3 thresholds shown below.

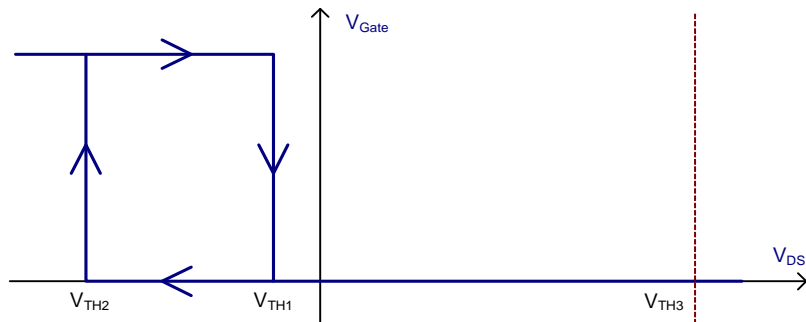


Figure 1: Input comparator thresholds

### Turn-on phase

When the conduction phase of the SR FET is initiated, current will start flowing through its body diode, generating a negative  $V_{DS}$  voltage across it. The body diode has generally a much higher voltage drop than the one caused by the MOSFET on resistance and therefore will trigger the turn-on threshold  $V_{TH2}$ .

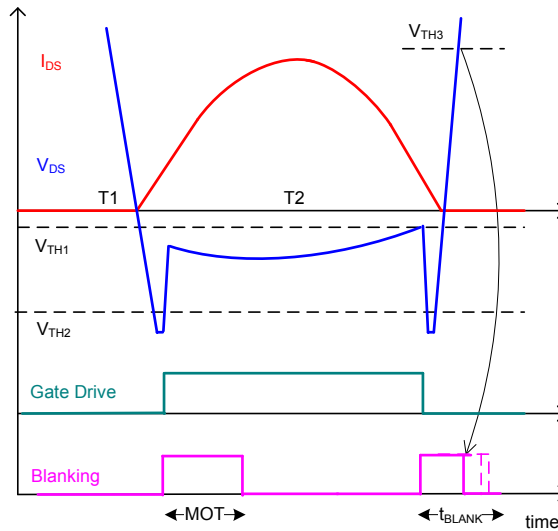
When  $V_{TH2}$  is triggered, IR1168 will drive the gate of MOSFET on which will in turn cause the conduction voltage  $V_{DS}$  to drop down to  $I_D \cdot R_{DS(ON)}$ . This drop is usually accompanied by some amount of ringing, that could trigger the input comparator to turn off; hence, a fixed Minimum On Time (MOT) blanking period is used that will maintain the power MOSFET on for a minimum amount of time.

The fixed MOT limits the minimum conduction time of the secondary rectifiers and hence, the maximum switching frequency of the converter.

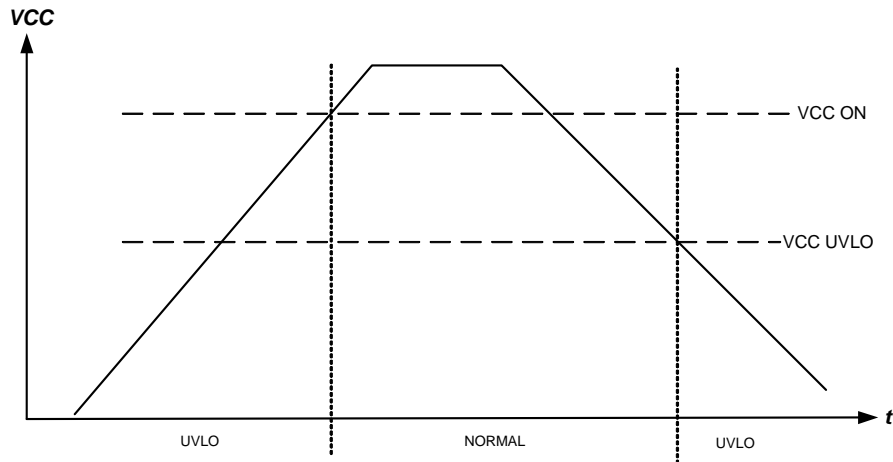
### Turn-off phase

Once the SR MOSFET has been turned on, it will remain on until the rectified current will decay to the level where  $V_{DS}$  will cross the turn-off threshold  $V_{TH1}$ .

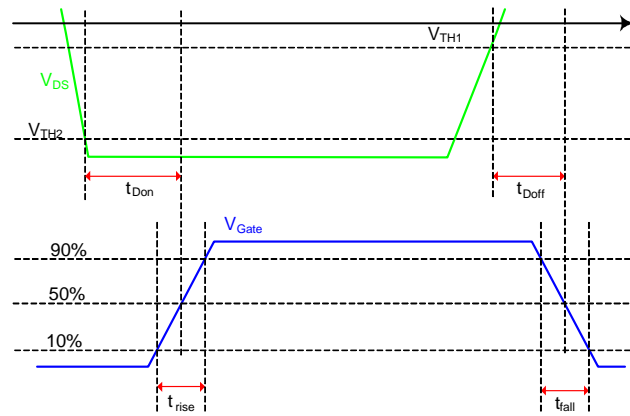
Since the device currents are sinusoidal here, the device VDS will cross the  $V_{TH1}$  threshold with a relatively low  $dV/dt$ . Once the threshold is crossed, the current will start flowing again through the body diode, causing the VDS voltage to jump negative. Depending on the amount of residual current, VDS may once again trigger the turn-on threshold; hence, VTH2 is blanked for a time duration  $t_{BLANK}$  after VTH1 is triggered. When the device VDS crosses the positive reset threshold  $V_{TH3}$ ,  $t_{BLANK}$  is terminated and the IC is ready for next conduction cycle as shown below.



**Figure 2: Secondary currents and voltages**



**Figure 3: Vcc UVLO**



**Figure 4: Timing waveform**

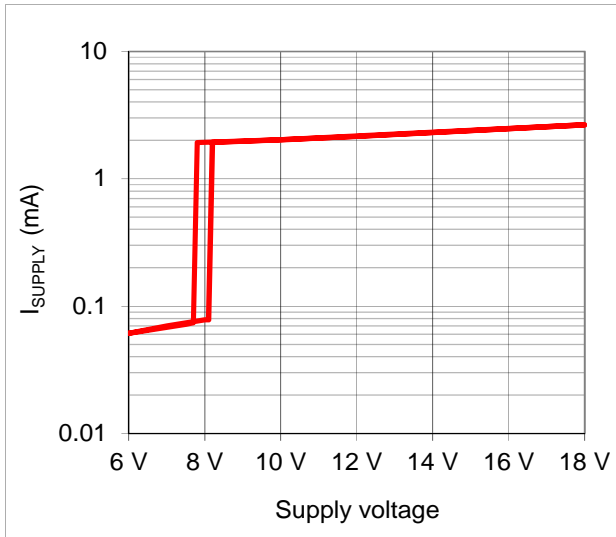


Figure 5: Supply Current vs. Supply Voltage

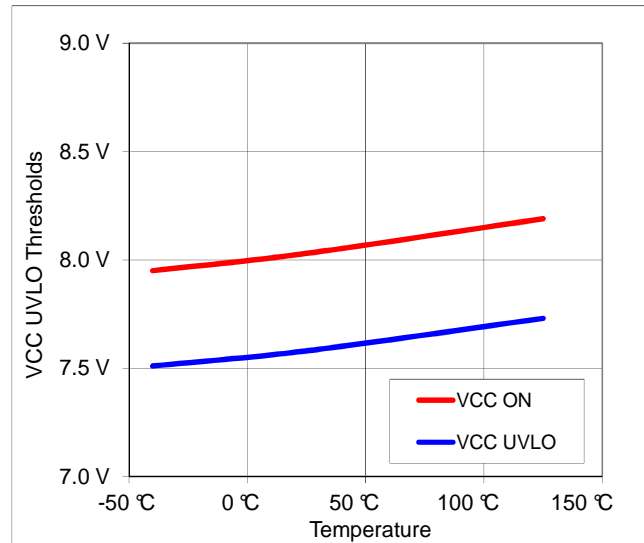


Figure 6: Undervoltage Lockout vs. Temperature

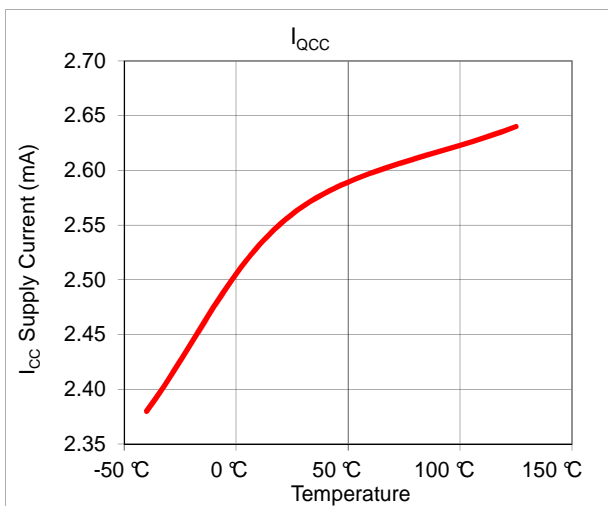


Figure 7: Icc Quiescent Current vs. Temperature

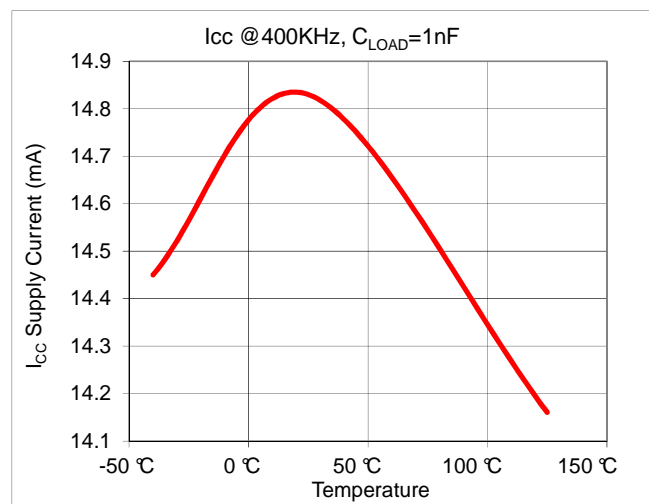


Figure 8: Icc Supply Current @1nF Load vs. Temperature



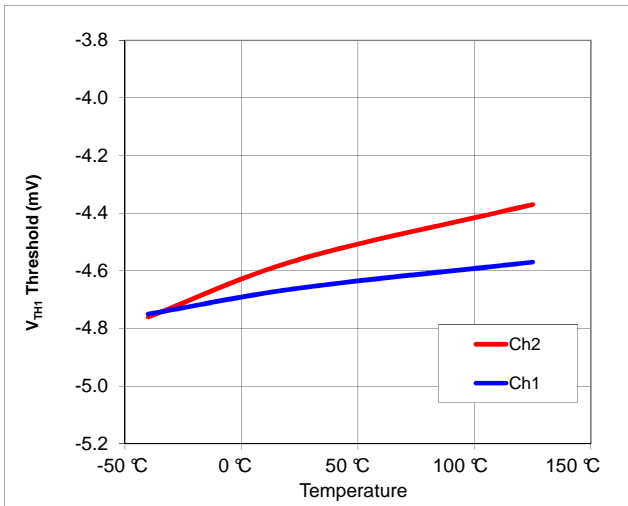


Figure 9:  $V_{TH1}$  vs. Temperature

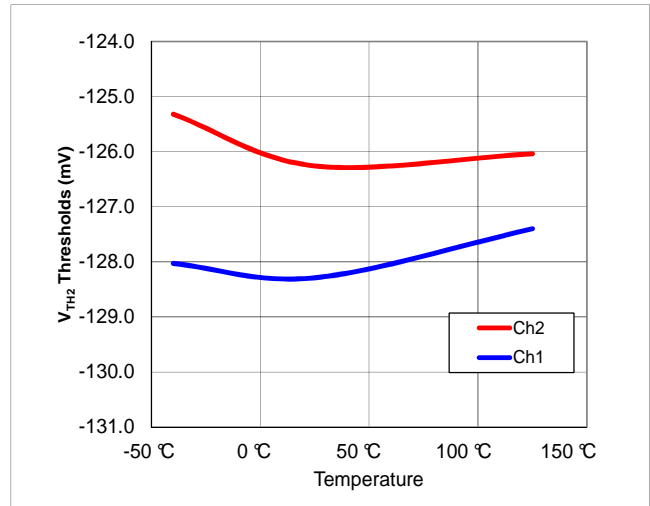


Figure 10:  $V_{TH2}$  vs. Temperature

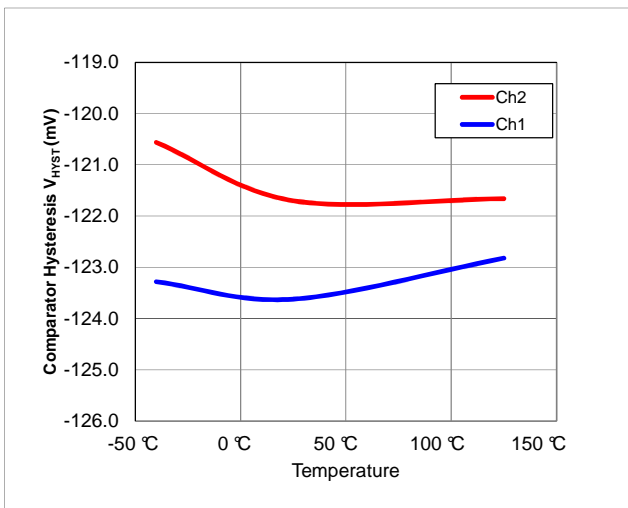


Figure 11: Comparator Hysteresis vs. Temperature

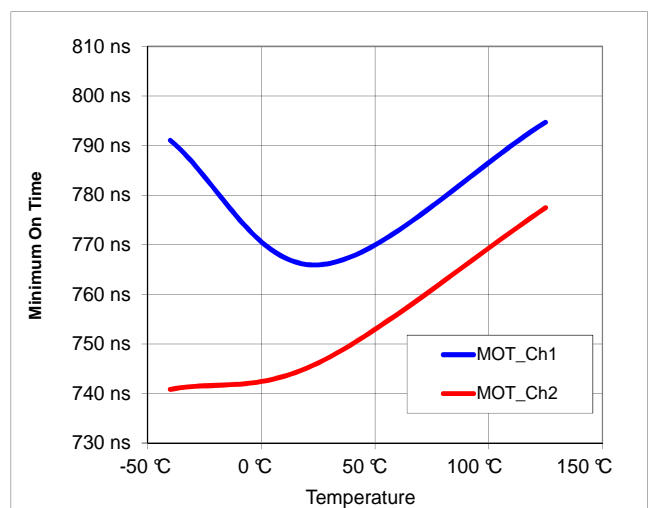


Figure 12: MOT vs Temperature

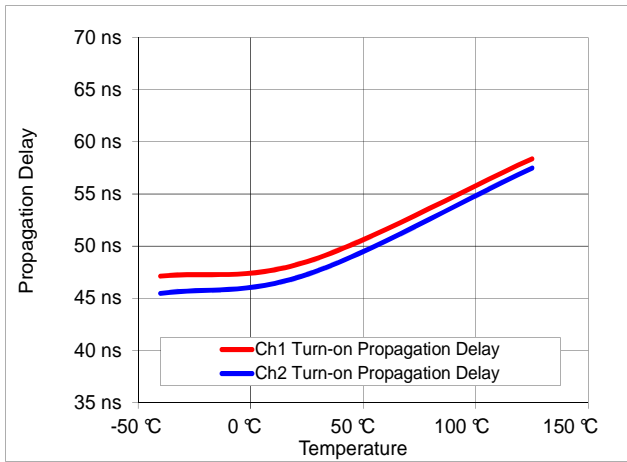


Figure 13: Turn-on Propagation Delay vs. Temperature

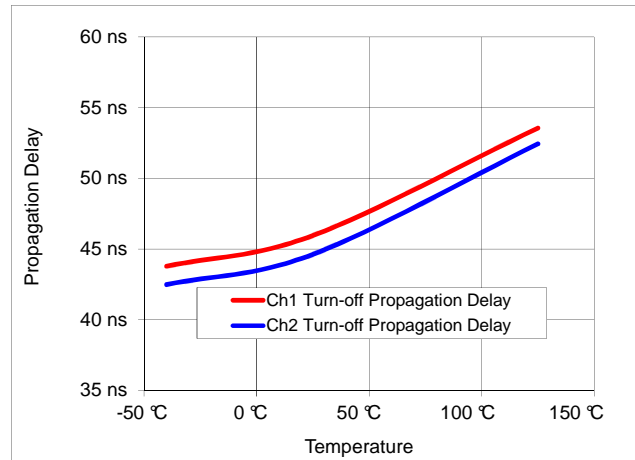


Figure 14: Turn-off Propagation Delay vs. Temperature

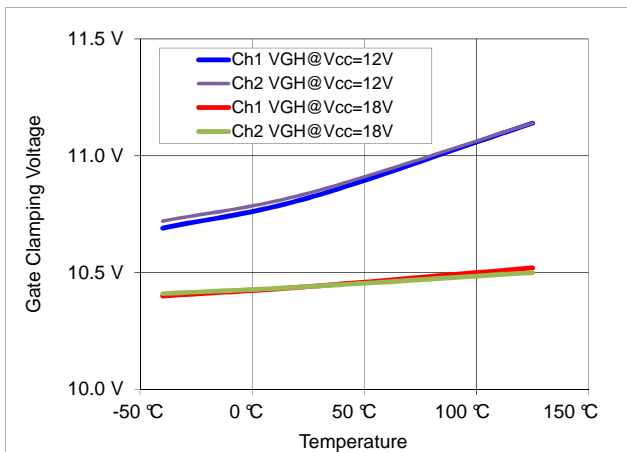


Figure 15: Gate Clamping Voltage vs. Temperature

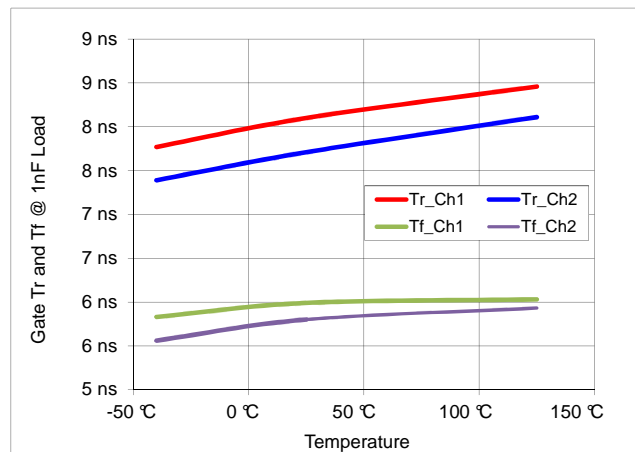
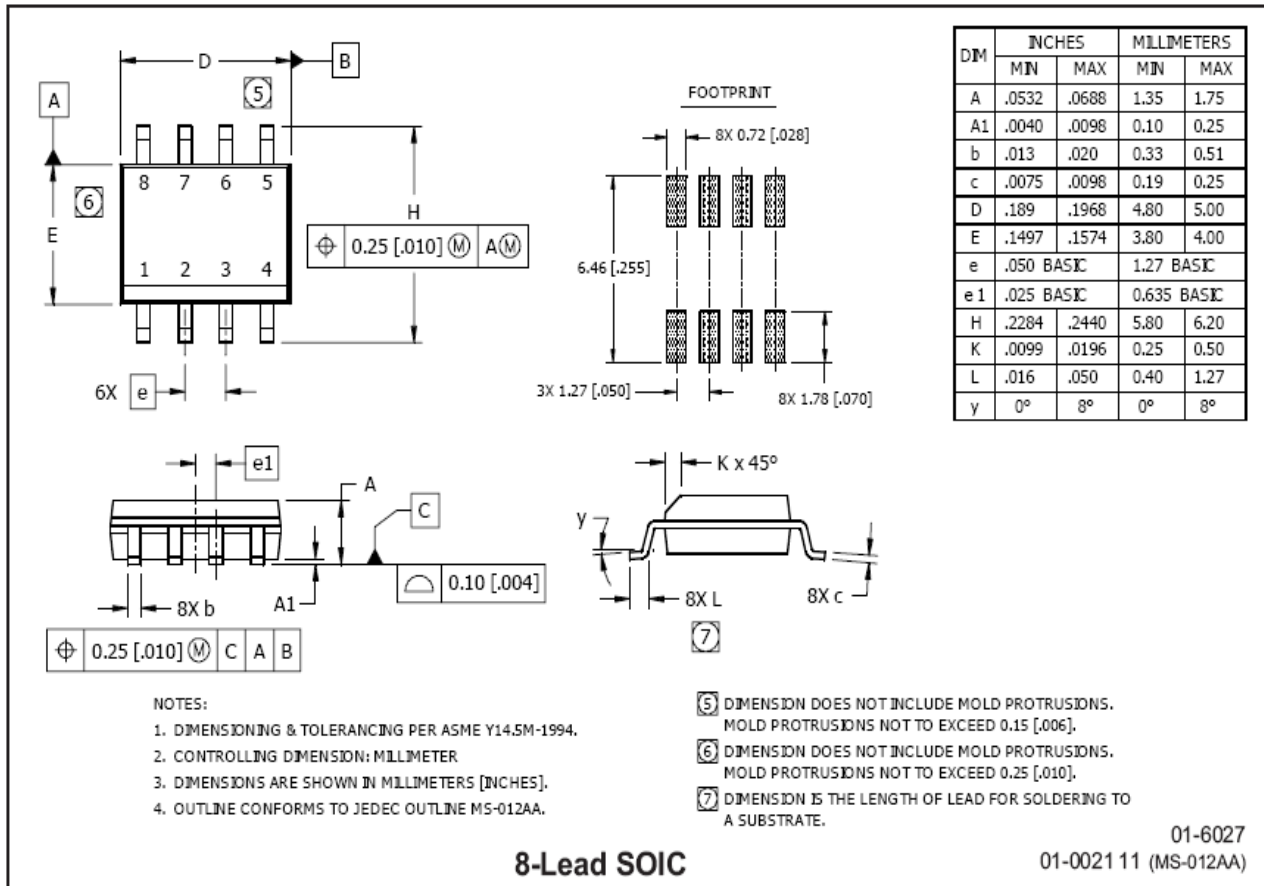


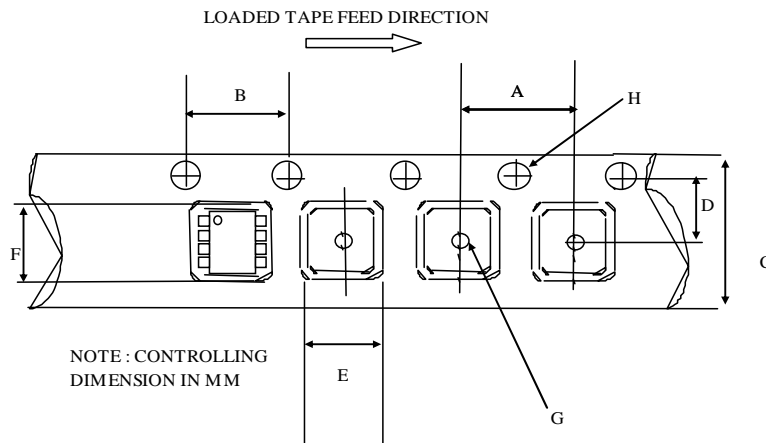
Figure 16: Gate Output Tr and Tf time @ 1nF Load vs. Temperature

**Package Details: SOIC8N**



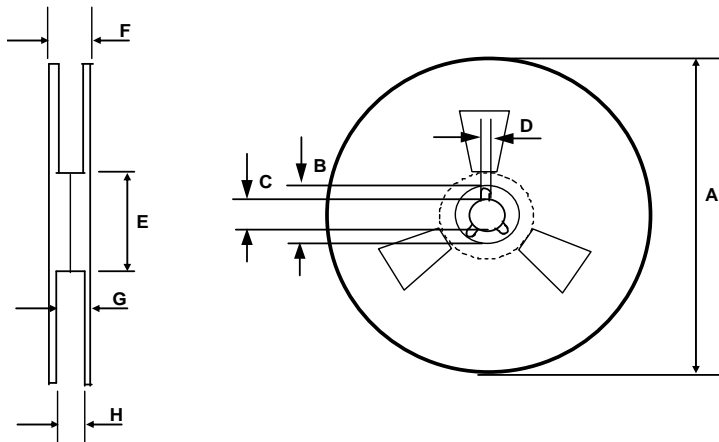
**8-Lead SOIC**

**Tape and Reel Details: SOIC8N**



**CARRIER TAPE DIMENSION FOR 8SOICN**

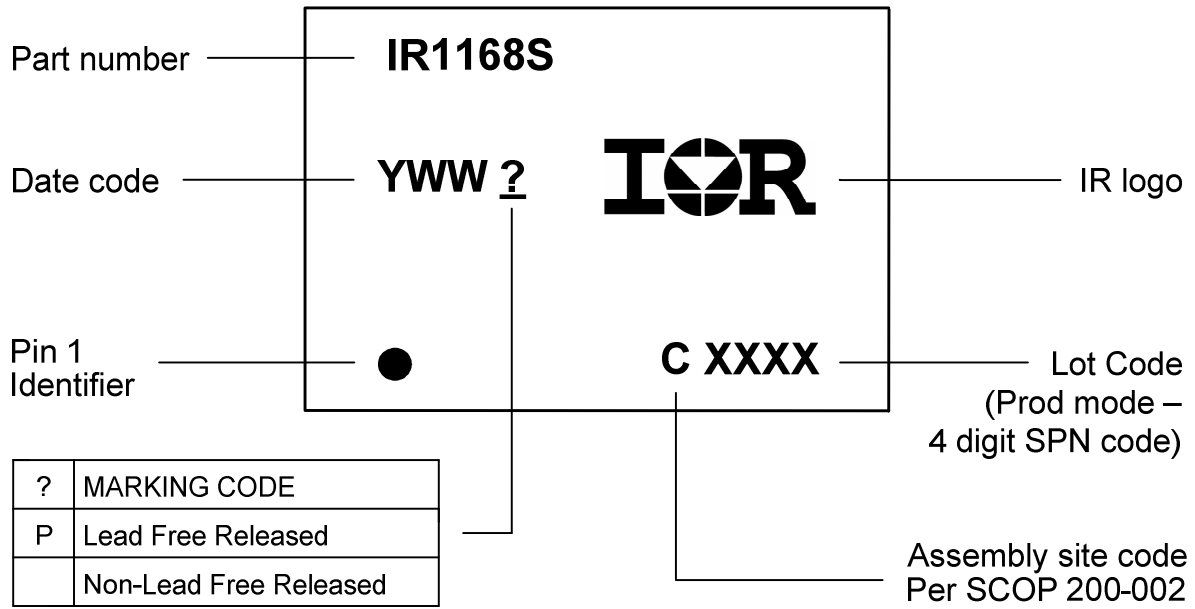
Code	Metric		Imperial	
	Min	Max	Min	Max
A	7.90	8.10	0.311	0.318
B	3.90	4.10	0.153	0.161
C	11.70	12.30	0.46	0.484
D	5.45	5.55	0.214	0.218
E	6.30	6.50	0.248	0.255
F	5.10	5.30	0.200	0.208
G	1.50	n/a	0.059	n/a
H	1.50	1.60	0.059	0.062



**REEL DIMENSIONS FOR 8SOICN**

Code	Metric		Imperial	
	Min	Max	Min	Max
A	329.60	330.25	12.976	13.001
B	20.95	21.45	0.824	0.844
C	12.80	13.20	0.503	0.519
D	1.95	2.45	0.767	0.096
E	98.00	102.00	3.858	4.015
F	n/a	18.40	n/a	0.724
G	14.50	17.10	0.570	0.673
H	12.40	14.40	0.488	0.566

**Part Marking Information**



**Ordering Information**

Base Part Number	Package Type	Standard Pack		Complete Part Number
		Form	Quantity	
IR1168	SOIC8N	Tube/Bulk	95	IR1168SPBF
		Tape and Reel	2500	IR1168STRPBF

The information provided in this document is believed to be accurate and reliable. However, International Rectifier assumes no responsibility for the consequences of the use of this information. International Rectifier assumes no responsibility for any infringement of patents or of other rights of third parties which may result from the use of this information. No license is granted by implication or otherwise under any patent or patent rights of International Rectifier. The specifications mentioned in this document are subject to change without notice. This document supersedes and replaces all information previously supplied.

For technical support, please contact IR's Technical Assistance Center

<http://www.irf.com/technical-info/>

**WORLD HEADQUARTERS:**  
 233 Kansas St., El Segundo, California 90245  
 Tel: (310) 252-7105

Компания «Океан Электроники» предлагает заключение долгосрочных отношений при поставках импортных электронных компонентов на взаимовыгодных условиях!

Наши преимущества:

- Поставка оригинальных импортных электронных компонентов напрямую с производств Америки, Европы и Азии, а так же с крупнейших складов мира;
- Широкая линейка поставок активных и пассивных импортных электронных компонентов (более 30 млн. наименований);
- Поставка сложных, дефицитных, либо снятых с производства позиций;
- Оперативные сроки поставки под заказ (от 5 рабочих дней);
- Экспресс доставка в любую точку России;
- Помощь Конструкторского Отдела и консультации квалифицированных инженеров;
- Техническая поддержка проекта, помощь в подборе аналогов, поставка прототипов;
- Поставка электронных компонентов под контролем ВП;
- Система менеджмента качества сертифицирована по Международному стандарту ISO 9001;
- При необходимости вся продукция военного и аэрокосмического назначения проходит испытания и сертификацию в лаборатории (по согласованию с заказчиком);
- Поставка специализированных компонентов военного и аэрокосмического уровня качества (Xilinx, Altera, Analog Devices, Intersil, Interpoint, Microsemi, Actel, Aeroflex, Peregrine, VPT, Syfer, Eurofarad, Texas Instruments, MS Kennedy, Miteq, Cobham, E2V, MA-COM, Hittite, Mini-Circuits, General Dynamics и др.);

Компания «Океан Электроники» является официальным дистрибьютором и эксклюзивным представителем в России одного из крупнейших производителей разъемов военного и аэрокосмического назначения «**JONHON**», а так же официальным дистрибьютором и эксклюзивным представителем в России производителя высокотехнологичных и надежных решений для передачи СВЧ сигналов «**FORSTAR**».



## JONHON

«**JONHON**» (основан в 1970 г.)

Разъемы специального, военного и аэрокосмического назначения:

(Применяются в военной, авиационной, аэрокосмической, морской, железнодорожной, горно- и нефтедобывающей отраслях промышленности)

«**FORSTAR**» (основан в 1998 г.)

ВЧ соединители, коаксиальные кабели,  
кабельные сборки и микроволновые компоненты:

(Применяются в телекоммуникациях гражданского и специального назначения, в средствах связи, РЛС, а так же военной, авиационной и аэрокосмической отраслях промышленности).



Телефон: 8 (812) 309-75-97 (многоканальный)

Факс: 8 (812) 320-03-32

Электронная почта: [ocean@oceanchips.ru](mailto:ocean@oceanchips.ru)

Web: <http://oceanchips.ru/>

Адрес: 198099, г. Санкт-Петербург, ул. Калинина, д. 2, корп. 4, лит. А