

# NV25080, NV25160, NV25320, NV25640

## EEPROM Serial 8/16/32/64-Kb SPI Automotive Grade 0

### Description

NV25080, NV25160, NV25320, NV25640 are a EEPROM Serial 8/16/32/64-Kb SPI Automotive Grade 0 devices internally organized as 1K/2K/4K/8Kx8 bits. It features a 32-byte page write buffer and supports the Serial Peripheral Interface (SPI) protocol. The device is enabled through a Chip Select ( $\overline{CS}$ ) input. In addition, the required bus signals are clock input (SCK), data input (SI) and data output (SO) lines. The  $\overline{HOLD}$  input may be used to pause any serial communication with the NV25xxx device. The device features software and hardware write protection, including partial as well as full array protection. Byte Level On-Chip ECC (Error Correction Code) makes the device suitable for high reliability applications. The device offers an additional Identification Page which can be permanently write protected.

### Features

- Automotive Temperatures:
  - Grade 0:  $-40^{\circ}\text{C}$  to  $+150^{\circ}\text{C}$  /  $V_{CC} = 2.5\text{ V}$  to  $5.5\text{ V}$
- 10 MHz SPI Compatible
- SPI Modes (0,0) & (1,1)
- 32-byte Page Write Buffer
- Self-timed Write Cycle
- Hardware and Software Protection
- Additional Identification Page with Permanent Write Protection
- NV Prefix for Automotive and Other Applications Requiring Site and Change Control
- Block Write Protection
  - Protect  $1/4$ ,  $1/2$  or Entire EEPROM Array
- Low Power CMOS Technology
- Program/Erase Cycles:
  - 4,000,000 at  $25^{\circ}\text{C}$
  - 1,200,000 at  $+85^{\circ}\text{C}$
  - 600,000 at  $+125^{\circ}\text{C}$
  - 300,000 at  $+150^{\circ}\text{C}$
- 200 Year Data Retention
- SOIC, TSSOP 8-lead Packages
- This Device is Pb-Free, Halogen Free/BFR Free, and RoHS Compliant



ON Semiconductor®

[www.onsemi.com](http://www.onsemi.com)



SOIC-8  
DW SUFFIX  
CASE 751BD



TSSOP-8  
DT SUFFIX  
CASE 948AL

### PIN CONFIGURATION

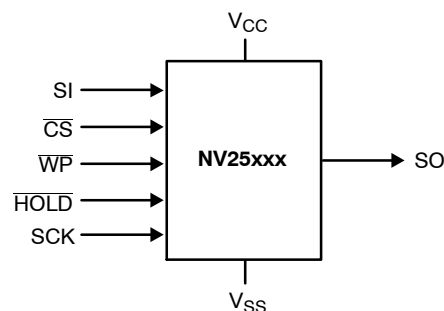
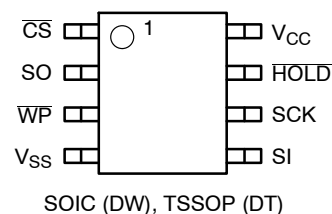


Figure 1. Functional Symbol

### PIN FUNCTION

| Pin Name          | Function                |
|-------------------|-------------------------|
| $\overline{CS}$   | Chip Select             |
| SO                | Serial Data Output      |
| WP                | Write Protect           |
| $V_{SS}$          | Ground                  |
| SI                | Serial Data Input       |
| SCK               | Serial Clock            |
| $\overline{HOLD}$ | Hold Transmission Input |
| $V_{CC}$          | Power Supply            |

### ORDERING INFORMATION

See detailed ordering and shipping information on page 11 of this data sheet.

# NV25080, NV25160, NV25320, NV25640

**Table 1. ABSOLUTE MAXIMUM RATINGS**

| Parameters   | Ratings      | Units |
|--|--------------|-------|
| Operating Temperature                              | -45 to +150  | °C    |
| Storage Temperature                                | -65 to +150  | °C    |
| Voltage on any Pin with Respect to Ground (Note 1) | -0.5 to +6.5 | V     |

Stresses exceeding those listed in the Maximum Ratings table may damage the device. If any of these limits are exceeded, device functionality should not be assumed, damage may occur and reliability may be affected.

1. The DC input voltage on any pin should not be lower than -0.5 V or higher than  $V_{CC} + 0.5$  V. During transitions, the voltage on any pin may undershoot to no less than -1.5 V or overshoot to no more than  $V_{CC} + 1.5$  V, for periods of less than 20 ns.

**Table 2. RELIABILITY CHARACTERISTICS (Note 2)**

| Symbol | Parameter      | Test Condition              | Max       | Units                    |
|--------|----------------|-----------------------------|-----------|--------------------------|
| NEND   | Endurance      | $T_A \leq 25^\circ\text{C}$ | 4,000,000 | Write Cycles<br>(Note 3) |
|        |                | $T_A = 85^\circ\text{C}$    | 1,200,000 |                          |
|        |                | $T_A = 125^\circ\text{C}$   | 600,000   |                          |
|        |                | $T_A = 150^\circ\text{C}$   | 300,000   |                          |
| TDR    | Data Retention | $T_A = 25^\circ\text{C}$    | 200       | Year                     |

2. Determined through qualification/characterization.

3. A Write Cycle refers to writing a Byte, a Page, the Status Register or the Identification Page.

**Table 3. DC OPERATING CHARACTERISTICS**

( $V_{CC} = 2.5$  V to 5.5 V,  $T_A = -40^\circ\text{C}$  to  $+150^\circ\text{C}$ , unless otherwise specified.)

| Symbol      | Parameter                            | Test Conditions   |  | Min              | Max            | Units         |
|-------------|--------------------------------------|---|--|------------------|----------------|---------------|
|             |                                      |   |  |                  |                |               |
| $I_{CCW}$   | Supply Current<br>(Write Mode)       | Read, SO open   | $f_{SCK} = 10$ MHz                               |                  | 3              | mA            |
|             |                                      | Write, CS = $V_{CC}$  |  |                  | 2              | mA            |
|             |                                      | Write, CS = $V_{CC}$  |  |                  | 2              | mA            |
| $I_{SB1}$   | Standby Current                      | $V_{IN} = \text{GND or } V_{CC}$ ,<br>CS = $V_{CC}$ , WP = $V_{CC}$ ,<br>HOLD = $V_{CC}$ , $V_{CC} = 5.5$ V | $T_A = -40^\circ\text{C to } +125^\circ\text{C}$ |                  | 3              | $\mu\text{A}$ |
|             |                                      |   | $T_A = -40^\circ\text{C to } +150^\circ\text{C}$ |                  | 7              | $\mu\text{A}$ |
| $I_{SB2}$   | Standby Current                      | $V_{IN} = \text{GND or } V_{CC}$ ,<br>CS = $V_{CC}$ , WP = GND,<br>HOLD = GND, $V_{CC} = 5.5$ V             | $T_A = -40^\circ\text{C to } +125^\circ\text{C}$ |                  | 5              | $\mu\text{A}$ |
|             |                                      |   | $T_A = -40^\circ\text{C to } +150^\circ\text{C}$ |                  | 10             | $\mu\text{A}$ |
| $I_L$       | Input Leakage Current                | $V_{IN} = \text{GND or } V_{CC}$  |  | -2               | 2              | $\mu\text{A}$ |
| $I_{LO}$    | Output Leakage Current               | CS = $V_{CC}$ , $V_{OUT} = \text{GND or } V_{CC}$   |  | -2               | 2              | $\mu\text{A}$ |
| $V_{IL1}$   | Input Low Voltage                    |   |  | -0.5             | $0.3 V_{CC}$   | V             |
| $V_{IH1}$   | Input High Voltage                   |   |  | $0.7 V_{CC}$     | $V_{CC} + 0.5$ | V             |
| $V_{OL1}$   | Output Low Voltage                   | $I_{OL} = 3.0$ mA   |  |                  | 0.4            | V             |
| $V_{OH1}$   | Output High Voltage                  | $I_{OH} = -1.6$ mA  |  | $V_{CC} - 0.8$ V |                | V             |
| $V_{PORth}$ | Internal Power-On<br>Reset Threshold |   |  | 0.6              | 1.5            | V             |

Product parametric performance is indicated in the Electrical Characteristics for the listed test conditions, unless otherwise noted. Product performance may not be indicated by the Electrical Characteristics if operated under different conditions.

# NV25080, NV25160, NV25320, NV25640

**Table 4. PIN CAPACITANCE** ( $T_A = 25^\circ\text{C}$ ,  $f = 1.0\text{ MHz}$ ,  $V_{CC} = +5.0\text{ V}$ ) (Note 2)

| Symbol    | Test                                      | Conditions             | Min | Typ | Max | Unit |
|-----------|---|------------------------|-----|-----|-----|------|
| $C_{OUT}$ | Output Capacitance (SO)                   | $V_{OUT} = 0\text{ V}$ |     |     | 8   | pF   |
| $C_{IN}$  | Input Capacitance (CS, SCK, SI, WP, HOLD) | $V_{IN} = 0\text{ V}$  |     |     | 8   | pF   |

**Table 5. AC CHARACTERISTICS** (Note 4)

| Symbol            | Parameter                   | $V_{CC} \geq 2.5\text{ V}$<br>$-40^\circ\text{C to }+150^\circ\text{C}$ |     | Unit          |
|-------------------|-----------------------------|---|-----|---------------|
|                   |                             | Min   | Max |               |
| $f_{SCK}$         | Clock Frequency             | DC  | 10  | MHz           |
| $t_{SU}$          | Data Setup Time             | 10  |     | ns            |
| $t_H$             | Data Hold Time              | 10  |     | ns            |
| $t_{WH}$          | SCK High Time               | 40  |     | ns            |
| $t_{WL}$          | SCK Low Time                | 40  |     | ns            |
| $t_{LZ}$          | HOLD to Output Low Z        |   | 25  | ns            |
| $t_{RI}$ (Note 5) | Input Rise Time             |   | 2   | $\mu\text{s}$ |
| $t_{FI}$ (Note 5) | Input Fall Time             |   | 2   | $\mu\text{s}$ |
| $t_{HD}$          | HOLD Setup Time             | 0   |     | ns            |
| $t_{CD}$          | HOLD Hold Time              | 10  |     | ns            |
| $t_V$             | Output Valid from Clock Low |   | 40  | ns            |
| $t_{HO}$          | Output Hold Time            | 0   |     | ns            |
| $t_{DIS}$         | Output Disable Time         |   | 20  | ns            |
| $t_{HZ}$          | HOLD to Output High Z       |   | 25  | ns            |
| $t_{CS}$          | CS High Time                | 40  |     | ns            |
| $t_{CSS}$         | CS Setup Time               | 30  |     | ns            |
| $t_{CSH}$         | CS Hold Time                | 30  |     | ns            |
| $t_{CNS}$         | CS Inactive Setup Time      | 30  |     |               |
| $t_{CNH}$         | CS Inactive Hold Time       | 30  |     |               |
| $t_{WC}$ (Note 6) | Write Cycle Time            |   | 4   | ms            |

4. AC Test Conditions:

Input Pulse Voltages:  $0.3 V_{CC}$  to  $0.7 V_{CC}$  at  $V_{CC} > 2.5\text{ V}$ ,  $0.2 V_{CC}$  to  $0.8 V_{CC}$  at  $V_{CC} < 2.5\text{ V}$

Input rise and fall times:  $\leq 10\text{ ns}$

Input and output reference voltages:  $0.5 V_{CC}$

Output load: current source  $I_{OL\text{ max}}/I_{OH\text{ max}}$ ;  $C_L = 30\text{ pF}$

5. This parameter is tested initially and after a design or process change that affects the parameter.

6.  $t_{WC}$  is the time from the rising edge of CS after a valid write sequence to the end of the internal write cycle.

**Table 6. POWER-UP TIMING** (Notes 5, 7)

| Symbol    | Parameter                   | Max  | Unit |
|-----------|-----------------------------|------|------|
| $t_{PUR}$ | Power-up to Read Operation  | 0.35 | ms   |
| $t_{PUW}$ | Power-up to Write Operation | 0.35 | ms   |

7.  $t_{PUR}$  and  $t_{PUW}$  are the delays required from the time  $V_{CC}$  is stable until the specified operation can be initiated.

**Pin Description**

**SI:** The serial data input pin accepts op-codes, addresses and data. In SPI modes (0,0) and (1,1) input data is latched on the rising edge of the SCK clock input.

**SO:** The serial data output pin is used to transfer data out of the device. In SPI modes (0,0) and (1,1) data is shifted out on the falling edge of the SCK clock.

**SCK:** The serial clock input pin accepts the clock provided by the host and used for synchronizing communication between host and NV25xxx.

**$\overline{CS}$ :** The chip select input pin is used to enable/disable the NV25xxx. When  $\overline{CS}$  is high, the SO output is tri-stated (high impedance) and the device is in Standby Mode (unless an internal write operation is in progress). *Every communication session between host and NV25xxx must be preceded by a high to low transition and concluded with a low to high transition of the  $\overline{CS}$  input.*

**$\overline{WP}$ :** The write protect input pin will allow all write operations to the device when held high. When  $\overline{WP}$  pin is tied low and the WPEN bit in the Status Register (refer to Status Register description, later in this Data Sheet) is set to “1”, writing to the Status Register is disabled.

**$\overline{HOLD}$ :** The  $\overline{HOLD}$  input pin is used to pause transmission between host and NV25xxx, without having to retransmit the entire sequence at a later time. To pause,  $\overline{HOLD}$  must be taken low and to resume it must be taken back high, with the SCK input low during both transitions. When not used for pausing, the  $\overline{HOLD}$  input should be tied to  $V_{CC}$ , either directly or through a resistor.

**Functional Description**

The NV25xxx device supports the Serial Peripheral Interface (SPI) bus protocol, modes (0,0) and (1,1). The device contains an 8-bit instruction register. The instruction set and associated op-codes are listed in Table 7.

Reading data stored in the NV25xxx is accomplished by simply providing the READ command and an address. Writing to the NV25xxx, in addition to a WRITE command, address and data, also requires enabling the device for writing by first setting certain bits in a Status Register, as will be explained later.

After a high to low transition on the  $\overline{CS}$  input pin, the NV25xxx will accept any one of the six instruction op-codes listed in Table 7 and will ignore all other possible 8-bit combinations. The communication protocol follows the timing from Figure 2.

The NV25xxx features an additional Identification Page (32 bytes) which can be accessed for Read and Write operations when the IPL bit from the Status Register is set to “1”. The user can also choose to make the Identification Page permanent write protected.

**Table 7. INSTRUCTION SET**

| Instruction | Op-code   | Operation                |
|-------------|-----------|--------------------------|
| WREN        | 0000 0110 | Enable Write Operations  |
| WRDI        | 0000 0100 | Disable Write Operations |
| RDSR        | 0000 0101 | Read Status Register     |
| WRSR        | 0000 0001 | Write Status Register    |
| READ        | 0000 0011 | Read Data from Memory    |
| WRITE       | 0000 0010 | Write Data to Memory     |



**Figure 2. Synchronous Data Timing**

**Status Register**

The Status Register, as shown in Table 8, contains a number of status and control bits.

The  $\overline{\text{RDY}}$  (Ready) bit indicates whether the device is busy with a write operation. This bit is automatically set to 1 during an internal write cycle, and reset to 0 when the device is ready to accept commands. For the host, this bit is read only.

The WEL (Write Enable Latch) bit is set/reset by the WREN/WRDI commands. When set to 1, the device is in a Write Enable state and when set to 0, the device is in a Write Disable state.

The BP0 and BP1 (Block Protect) bits determine which blocks are currently write protected. They are set by the user with the WRSR command and are non-volatile. The user is allowed to protect a quarter, one half or the entire memory, by setting these bits according to Table 9. The protected blocks then become read-only.

The WPEN (Write Protect Enable) bit acts as an enable for the  $\overline{\text{WP}}$  pin. Hardware write protection is enabled when the  $\overline{\text{WP}}$  pin is low and the WPEN bit is 1. This condition prevents writing to the status register and to the block

protected sections of memory. While hardware write protection is active, only the non-block protected memory can be written. Hardware write protection is disabled when the  $\overline{\text{WP}}$  pin is high or the WPEN bit is 0. The WPEN bit,  $\overline{\text{WP}}$  pin and WEL bit combine to either permit or inhibit Write operations, as detailed in Table 10.

The IPL (Identification Page Latch) bit determines whether the additional Identification Page (IPL = 1) or main memory array (IPL = 0) can be accessed both for Read and Write operations. The IPL bit is set by the user with the WRSR command and is volatile. The IPL bit is automatically reset after read/write operations. The LIP (Lock Identification Page) bit is set by the user with the WRSR command and is non-volatile. When set to 1, the Identification Page is permanently write protected (locked in Read-only mode).

*Note: The IPL and LIP bits cannot be set to 1 using the same WRSR instruction. If the user attempts to set (“1”) both the IPL and LIP bit in the same time, these bits cannot be written and therefore they will remain unchanged.*

**Table 8. STATUS REGISTER**

|      |     |   |     |     |     |     |     |
|------|-----|---|-----|-----|-----|-----|-----|
| 7    | 6   | 5 | 4   | 3   | 2   | 1   | 0   |
| WPEN | IPL | 0 | LIP | BP1 | BP0 | WEL | RDY |

**Table 9. BLOCK PROTECTION BITS**

| Status Register Bits |     | Array Address Protected  | Protection               |
|----------------------|-----|--|--------------------------|
| BP1                  | BP0 |  |                          |
| 0                    | 0   | None   | No Protection            |
| 0                    | 1   | NV25080: 0300–03FF, NV25160: 0600–07FF, NV25320: 0C00–0FFF, NV25640: 1800–1FFF | Quarter Array Protection |
| 1                    | 0   | NV25080: 0200–03FF, NV25160: 0400–07FF, NV25320: 0800–0FFF, NV25640: 1000–1FFF | Half Array Protection    |
| 1                    | 1   | NV25080: 0000–03FF, NV25160: 0000–07FF, NV25320: 0000–0FFF, NV25640: 0000–1FFF | Full Array Protection    |

**Table 10. WRITE PROTECT CONDITIONS**

| WPEN | $\overline{\text{WP}}$ | WEL | Protected Blocks | Unprotected Blocks | Status Register |
|------|------------------------|-----|------------------|--------------------|-----------------|
| 0    | X                      | 0   | Protected        | Protected          | Protected       |
| 0    | X                      | 1   | Protected        | Writable           | Writable        |
| 1    | Low                    | 0   | Protected        | Protected          | Protected       |
| 1    | Low                    | 1   | Protected        | Writable           | Protected       |
| X    | High                   | 0   | Protected        | Protected          | Protected       |
| X    | High                   | 1   | Protected        | Writable           | Writable        |

WRITE OPERATIONS

The NV25xxx device powers up into a write disable state. The device contains a Write Enable Latch (WEL) which must be set before attempting to write to the memory array or to the status register. In addition, the address of the memory location(s) to be written must be outside the protected area, as defined by BP0 and BP1 bits from the status register.

Write Enable and Write Disable

The internal Write Enable Latch and the corresponding Status Register WEL bit are set by sending the WREN instruction to the NV25xxx. Care must be taken to take the  $\overline{CS}$  input high after the WREN instruction, as otherwise the Write Enable Latch will not be properly set. WREN timing is illustrated in Figure 3. The WREN instruction must be sent prior to any WRITE or WRSR instruction.

The internal write enable latch is reset by sending the WRDI instruction as shown in Figure 4. Disabling write operations by resetting the WEL bit, will protect the device against inadvertent writes.



Figure 3. WREN Timing



Figure 4. WRDI Timing

**Byte Write**

Once the WEL bit is set, the user may execute a write sequence, by sending a WRITE instruction, a 16-bit address and data as shown in Figure 5. Only 13 significant address bits are used by the NV25xxx. The rest are don't care bits, as shown in Table 11. Internal programming will start after the low to high  $\overline{CS}$  transition. During an internal write cycle, all commands, except for RDSR (Read Status Register) will be ignored. The  $\overline{RDY}$  bit will indicate if the internal write cycle is in progress ( $\overline{RDY}$  high), or the device is ready to accept commands ( $\overline{RDY}$  low).

**Page Write**

After sending the first data byte to the NV25xxx, the host may continue sending data, up to a total of 32 bytes, according to timing shown in Figure 6. After each data byte, the lower order address bits are automatically incremented, while the higher order address bits (page address) remain unchanged. If during this process the end of page is exceeded, then loading will “roll over” to the first byte in the

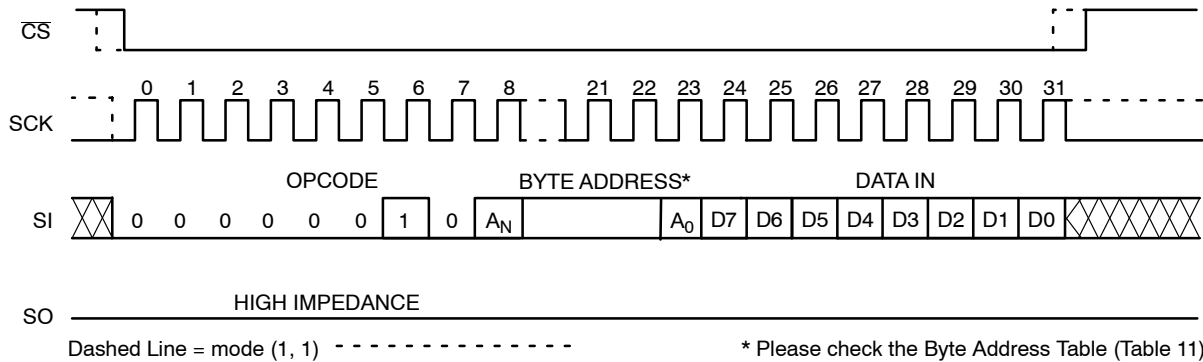
page, thus possibly overwriting previously loaded data. Following completion of the write cycle, the NV25xxx is automatically returned to the write disable state.

**Write Identification Page**

The additional 32-byte Identification Page (IP) can be written with user data using the same Write commands sequence as used for Page Write to the main memory array (Figure 6). **The IPL bit from the Status Register must be set (IPL = 1) using the WRSR instruction, before attempting to write to the IP.** The address bits [A15:A5] are Don't Care and the [A4:A0] bits define the byte address within the Identification Page. In addition, the Byte Address must point to a location outside the protected area defined by the BP1, BP0 bits from the Status Register. When the full memory array is write protected (BP1, BP0 = 1,1), the write instruction to the IP is not accepted and not executed. Also, the write to the IP is not accepted if the LIP bit from the Status Register is set to 1 (the page is locked in Read-only mode).

**Table 11. BYTE ADDRESS**

|                     | Address Significant Bits | Address Don't Care Bits | # Address Clock Pulses |
|---------------------|--------------------------|-------------------------|------------------------|
| NV25640             | A12 – A0                 | A15 – A13               | 16                     |
| NV25320             | A11 – A0                 | A15 – A12               | 16                     |
| NV25160             | A10 – A0                 | A15 – A11               | 16                     |
| NV25080             | A9 – A0                  | A15 – A10               | 16                     |
| Identification Page | A4 – A0                  | A15 – A5                | 16                     |



**Figure 5. Byte WRITE Timing**



Figure 6. Page WRITE Timing

**Write Status Register**

The Status Register is written by sending a WRSR instruction according to timing shown in Figure 7. Only bits 2, 3, 4, 6 and 7 can be written using the WRSR command.

**Write Protection**

The Write Protect ( $\overline{WP}$ ) pin can be used to protect the Block Protect bits BP0 and BP1 against being inadvertently altered. When  $\overline{WP}$  is low and the WPEN bit is set to “1”, write operations to the Status Register are inhibited.  $\overline{WP}$  going low while  $\overline{CS}$  is still low will interrupt a write to the status register. If the internal write cycle has already been initiated,  $\overline{WP}$  going low will have no effect on any write operation to the Status Register. The  $\overline{WP}$  pin function is blocked when the WPEN bit is set to “0”.

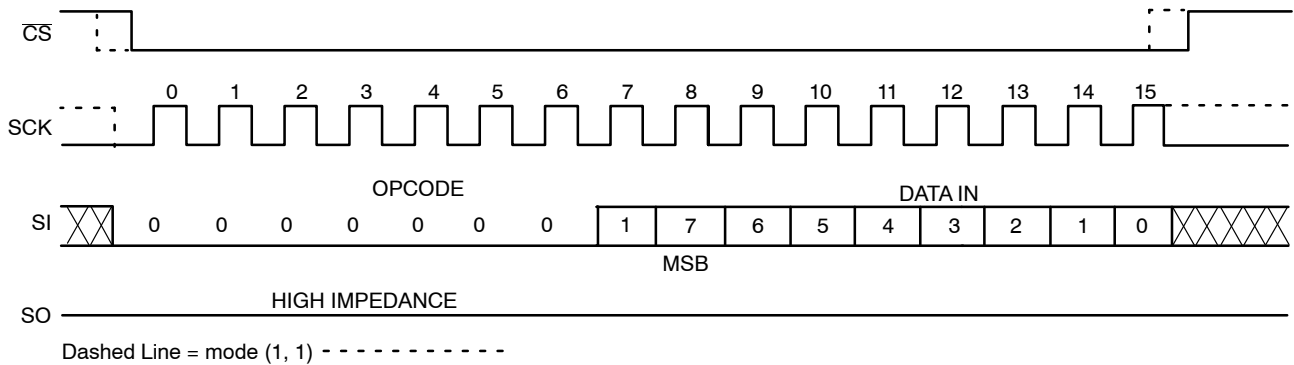


Figure 7. WRSR Timing



READ OPERATIONS

Read from Memory Array

To read from memory, the host sends a READ instruction followed by a 16-bit address (see Table 11 for the number of significant address bits).

After receiving the last address bit, the NV25xxx will respond by shifting out data on the SO pin (as shown in Figure 8). Sequentially stored data can be read out by simply continuing to run the clock. The internal address pointer is automatically incremented to the next higher address as data is shifted out. After reaching the highest memory address, the address counter “rolls over” to the lowest memory address, and the read cycle can be continued indefinitely. The read operation is terminated by taking CS high.

Read Status Register

To read the status register, the host simply sends a RDSR command. After receiving the last bit of the command, the NV25xxx will shift out the contents of the status register on the SO pin (Figure 9). The status register may be read at any time, including during an internal write cycle. While the

internal write cycle is in progress, the RDSR command will output the full content of the status register. For easy detection of the internal write cycle completion, we recommend sampling the RDY bit only through the polling routine. After detecting the RDY bit “0”, the next RDSR instruction will always output the expected content of the status register.

Read Identification Page

Reading the additional 32-byte Identification Page (IP) is achieved using the same Read command sequence as used for Read from main memory array (Figure 8). **The IPL bit from the Status Register must be set (IPL = 1) before attempting to read from the IP.** The [A4:A0] are the address significant bits that point to the data byte shifted out on the SO pin. If the CS continues to be held low, the internal address register defined by [A4:A0] bits is automatically incremented and the next data byte from the IP is shifted out. The byte address must not exceed the 32-byte page boundary.

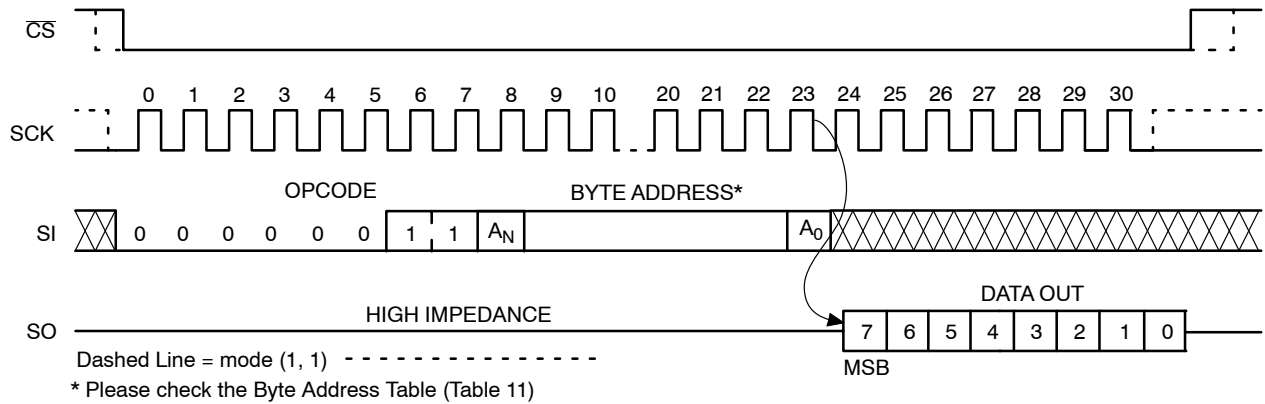


Figure 8. READ Timing

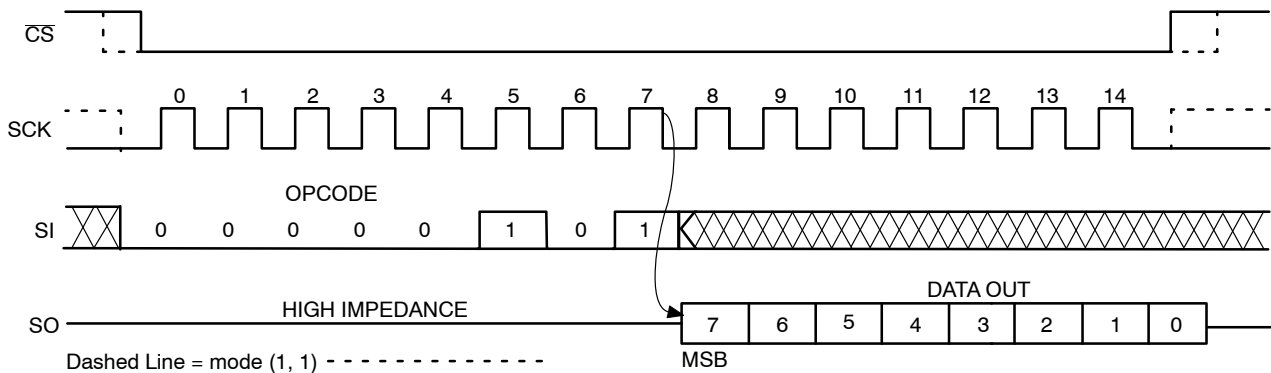


Figure 9. RDSR Timing

**Hold Operation**

The  $\overline{\text{HOLD}}$  input can be used to pause communication between host and NV25xxx. To pause,  $\overline{\text{HOLD}}$  must be taken low while SCK is low (Figure 10). During the hold condition the device must remain selected ( $\overline{\text{CS}}$  low). During the pause, the data output pin (SO) is tri-stated (high impedance) and SI transitions are ignored. To resume communication,  $\overline{\text{HOLD}}$  must be taken high while SCK is low.

**Design Considerations**

The NV25xxx device incorporates Power-On Reset (POR) circuitry which protects the internal logic against powering up in the wrong state. The device will power up into Standby mode after  $V_{\text{CC}}$  exceeds the POR trigger level and will power down into Reset mode when  $V_{\text{CC}}$  drops

below the POR trigger level. This bi-directional POR behavior protects the device against ‘brown-out’ failure following a temporary loss of power.

The NV25xxx device powers up in a write disable state and in a low power standby mode. A WREN instruction must be issued prior to any writes to the device.

After power up, the  $\overline{\text{CS}}$  pin must be brought low to enter a ready state and receive an instruction. After a successful byte/page write or status register write, the device goes into a write disable mode. The  $\overline{\text{CS}}$  input must be set high after the proper number of clock cycles to start the internal write cycle. Access to the memory array during an internal write cycle is ignored and programming is continued. Any invalid op-code will be ignored and the serial output pin (SO) will remain in the high impedance state.

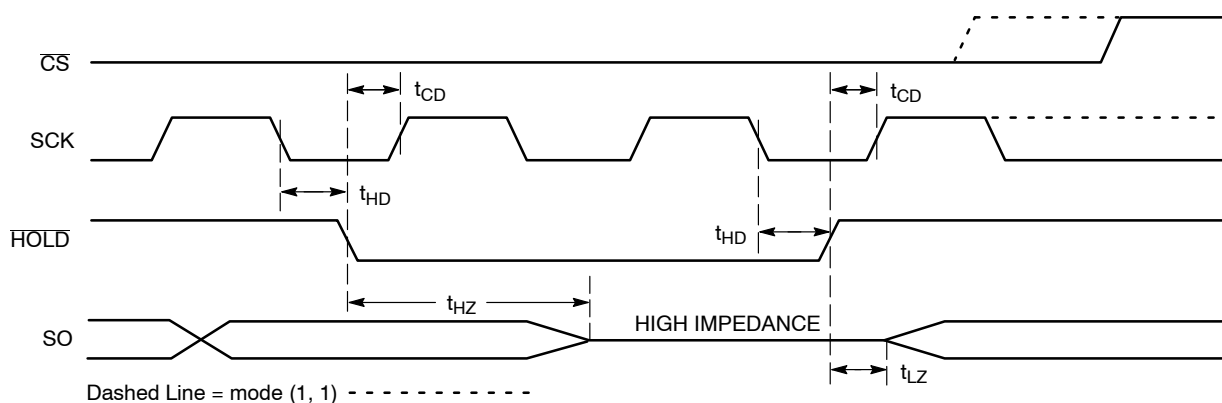


Figure 10.  $\overline{\text{HOLD}}$  Timing

**Error Correction Code**

The NV25xxx incorporates on-board Error Correction Code (ECC) circuitry, which makes it possible to detect and correct one faulty bit in a byte. ECC improves data reliability by correcting random single bit failures that might occur over the life of the device.

## NV25080, NV25160, NV25320, NV25640

**Table 12. ORDERING INFORMATION** (Notes 8, 9)

| OPN            | Density | Automotive Grade          | Package Type      | Shipping <sup>†</sup> |
|----------------|---------|---------------------------|-------------------|-----------------------|
| NV25080DTHFT3G | 8 kb    | Grade 0 (-40°C to +150°C) | TSSOP-8 (Pb-Free) | 3000 / Tape & Reel    |
| NV25080DWHFT3G | 8 kb    | Grade 0 (-40°C to +150°C) | SOIC-8 (Pb-Free)  | 3000 / Tape & Reel    |
|                |         |                           |                   |                       |
| NV25160DTHFT3G | 16 kb   | Grade 0 (-40°C to +150°C) | TSSOP-8 (Pb-Free) | 3000 / Tape & Reel    |
| NV25160DWHFT3G | 16 kb   | Grade 0 (-40°C to +150°C) | SOIC-8 (Pb-Free)  | 3000 / Tape & Reel    |
|                |         |                           |                   |                       |
| NV25320DTHFT3G | 32 kb   | Grade 0 (-40°C to +150°C) | TSSOP-8 (Pb-Free) | 3,000 / Tape & Reel   |
| NV25320DWHFT3G | 32 kb   | Grade 0 (-40°C to +150°C) | SOIC-8 (Pb-Free)  | 3,000 / Tape & Reel   |
|                |         |                           |                   |                       |
| NV25640DTHFT3G | 64 kb   | Grade 0 (-40°C to +150°C) | TSSOP-8 (Pb-Free) | 3,000 / Tape & Reel   |
| NV25640DWHFT3G | 64 kb   | Grade 0 (-40°C to +150°C) | SOIC-8 (Pb-Free)  | 3,000 / Tape & Reel   |

8. All packages are RoHS-compliant (Pb-Free, Halogen-free).

9. The standard lead finish is NiPdAu.

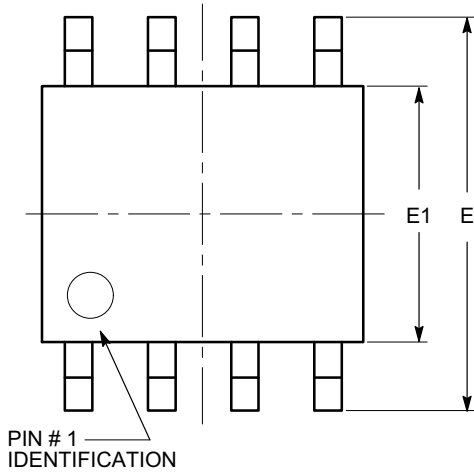
†For information on tape and reel specifications, including part orientation and tape sizes, please refer to our Tape and Reel Packaging Specifications Brochure, BRD8011/D.

\*Product under development.

**MECHANICAL CASE OUTLINE**  
**PACKAGE DIMENSIONS**

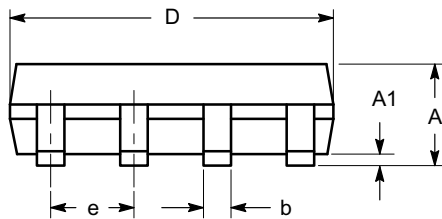
SOIC 8, 150 mils  
CASE 751BD-01  
ISSUE O

DATE 19 DEC 2008

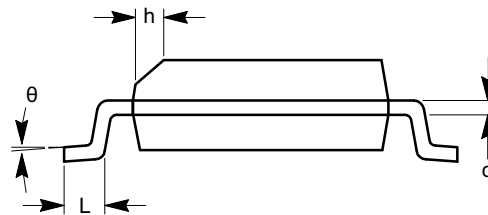


TOP VIEW

| SYMBOL   | MIN      | NOM | MAX  |
|----------|----------|-----|------|
| A        | 1.35     |     | 1.75 |
| A1       | 0.10     |     | 0.25 |
| b        | 0.33     |     | 0.51 |
| c        | 0.19     |     | 0.25 |
| D        | 4.80     |     | 5.00 |
| E        | 5.80     |     | 6.20 |
| E1       | 3.80     |     | 4.00 |
| e        | 1.27 BSC |     |      |
| h        | 0.25     |     | 0.50 |
| L        | 0.40     |     | 1.27 |
| $\theta$ | 0°       |     | 8°   |



SIDE VIEW



END VIEW

**Notes:**

- (1) All dimensions are in millimeters. Angles in degrees.
- (2) Complies with JEDEC MS-012.

|                         |                           |  |
|-------------------------|---------------------------|--|
| <b>DOCUMENT NUMBER:</b> | 98AON34272E               | Electronic versions are uncontrolled except when accessed directly from the Document Repository. Printed versions are uncontrolled except when stamped "CONTROLLED COPY" in red. |
| <b>STATUS:</b>          | ON SEMICONDUCTOR STANDARD |  |
| <b>REFERENCE:</b>       |                           |  |
| <b>DESCRIPTION:</b>     | SOIC 8, 150 MILS          | <b>PAGE 1 OF 2</b>   |



# MECHANICAL CASE OUTLINE

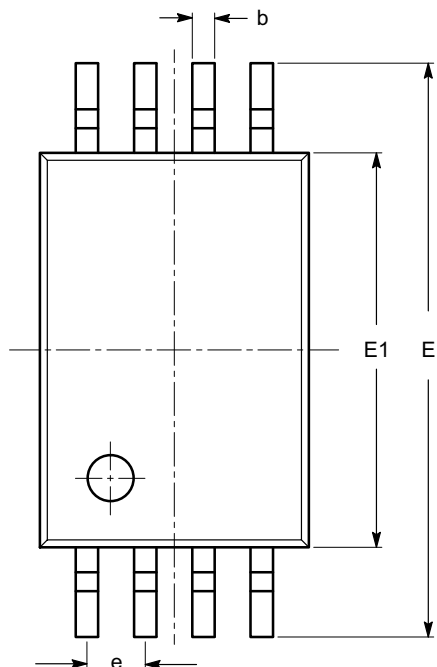
## PACKAGE DIMENSIONS

ON Semiconductor®



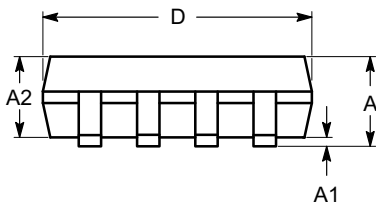
TSSOP8, 4.4x3  
CASE 948AL-01  
ISSUE O

DATE 19 DEC 2008

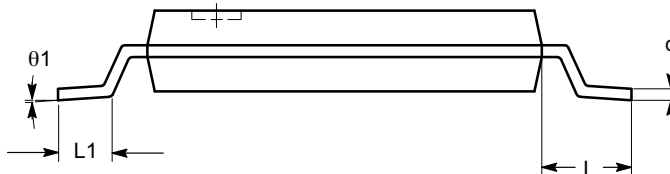


| SYMBOL   | MIN      | NOM  | MAX  |
|----------|----------|------|------|
| A        |          |      | 1.20 |
| A1       | 0.05     |      | 0.15 |
| A2       | 0.80     | 0.90 | 1.05 |
| b        | 0.19     |      | 0.30 |
| c        | 0.09     |      | 0.20 |
| D        | 2.90     | 3.00 | 3.10 |
| E        | 6.30     | 6.40 | 6.50 |
| E1       | 4.30     | 4.40 | 4.50 |
| e        | 0.65 BSC |      |      |
| L        | 1.00 REF |      |      |
| L1       | 0.50     | 0.60 | 0.75 |
| $\theta$ | 0°       |      | 8°   |

TOP VIEW



SIDE VIEW



END VIEW

**Notes:**

- (1) All dimensions are in millimeters. Angles in degrees.
- (2) Complies with JEDEC MO-153.

|                         |                                  |  |
|-------------------------|----------------------------------|--|
| <b>DOCUMENT NUMBER:</b> | <b>98AON34428E</b>               | Electronic versions are uncontrolled except when accessed directly from the Document Repository. Printed versions are uncontrolled except when stamped "CONTROLLED COPY" in red. |
| <b>STATUS:</b>          | <b>ON SEMICONDUCTOR STANDARD</b> |  |
| <b>REFERENCE:</b>       |                                  |  |
| <b>DESCRIPTION:</b>     | <b>TSSOP8, 4.4X3</b>             | <b>PAGE 1 OF 2</b>   |



ON Semiconductor and  are trademarks of Semiconductor Components Industries, LLC dba ON Semiconductor or its subsidiaries in the United States and/or other countries. ON Semiconductor owns the rights to a number of patents, trademarks, copyrights, trade secrets, and other intellectual property. A listing of ON Semiconductor's product/patent coverage may be accessed at [www.onsemi.com/site/pdf/Patent-Marking.pdf](http://www.onsemi.com/site/pdf/Patent-Marking.pdf). ON Semiconductor reserves the right to make changes without further notice to any products herein. ON Semiconductor makes no warranty, representation or guarantee regarding the suitability of its products for any particular purpose, nor does ON Semiconductor assume any liability arising out of the application or use of any product or circuit, and specifically disclaims any and all liability, including without limitation special, consequential or incidental damages. Buyer is responsible for its products and applications using ON Semiconductor products, including compliance with all laws, regulations and safety requirements or standards, regardless of any support or applications information provided by ON Semiconductor. "Typical" parameters which may be provided in ON Semiconductor data sheets and/or specifications can and do vary in different applications and actual performance may vary over time. All operating parameters, including "Typicals" must be validated for each customer application by customer's technical experts. ON Semiconductor does not convey any license under its patent rights nor the rights of others. ON Semiconductor products are not designed, intended, or authorized for use as a critical component in life support systems or any FDA Class 3 medical devices or medical devices with a same or similar classification in a foreign jurisdiction or any devices intended for implantation in the human body. Should Buyer purchase or use ON Semiconductor products for any such unintended or unauthorized application, Buyer shall indemnify and hold ON Semiconductor and its officers, employees, subsidiaries, affiliates, and distributors harmless against all claims, costs, damages, and expenses, and reasonable attorney fees arising out of, directly or indirectly, any claim of personal injury or death associated with such unintended or unauthorized use, even if such claim alleges that ON Semiconductor was negligent regarding the design or manufacture of the part. ON Semiconductor is an Equal Opportunity/Affirmative Action Employer. This literature is subject to all applicable copyright laws and is not for resale in any manner.

## PUBLICATION ORDERING INFORMATION

### LITERATURE FULFILLMENT:

Literature Distribution Center for ON Semiconductor  
19521 E. 32nd Pkwy, Aurora, Colorado 80011 USA  
**Phone:** 303-675-2175 or 800-344-3860 Toll Free USA/Canada  
**Fax:** 303-675-2176 or 800-344-3867 Toll Free USA/Canada  
**Email:** [orderlit@onsemi.com](mailto:orderlit@onsemi.com)

**N. American Technical Support:** 800-282-9855 Toll Free  
USA/Canada  
**Europe, Middle East and Africa Technical Support:**  
Phone: 421 33 790 2910

**ON Semiconductor Website:** [www.onsemi.com](http://www.onsemi.com)

**Order Literature:** <http://www.onsemi.com/orderlit>

For additional information, please contact your local  
Sales Representative



Компания «Океан Электроники» предлагает заключение долгосрочных отношений при поставках импортных электронных компонентов на взаимовыгодных условиях!

Наши преимущества:

- Поставка оригинальных импортных электронных компонентов напрямую с производств Америки, Европы и Азии, а так же с крупнейших складов мира;
- Широкая линейка поставок активных и пассивных импортных электронных компонентов (более 30 млн. наименований);
- Поставка сложных, дефицитных, либо снятых с производства позиций;
- Оперативные сроки поставки под заказ (от 5 рабочих дней);
- Экспресс доставка в любую точку России;
- Помощь Конструкторского Отдела и консультации квалифицированных инженеров;
- Техническая поддержка проекта, помощь в подборе аналогов, поставка прототипов;
- Поставка электронных компонентов под контролем ВП;
- Система менеджмента качества сертифицирована по Международному стандарту ISO 9001;
- При необходимости вся продукция военного и аэрокосмического назначения проходит испытания и сертификацию в лаборатории (по согласованию с заказчиком);
- Поставка специализированных компонентов военного и аэрокосмического уровня качества (Xilinx, Altera, Analog Devices, Intersil, Interpoint, Microsemi, Actel, Aeroflex, Peregrine, VPT, Syfer, Eurofarad, Texas Instruments, MS Kennedy, Miteq, Cobham, E2V, MA-COM, Hittite, Mini-Circuits, General Dynamics и др.);

Компания «Океан Электроники» является официальным дистрибьютором и эксклюзивным представителем в России одного из крупнейших производителей разъемов военного и аэрокосмического назначения «JONHON», а так же официальным дистрибьютором и эксклюзивным представителем в России производителя высокотехнологичных и надежных решений для передачи СВЧ сигналов «FORSTAR».



## JONHON

«JONHON» (основан в 1970 г.)

Разъемы специального, военного и аэрокосмического назначения:

(Применяются в военной, авиационной, аэрокосмической, морской, железнодорожной, горно- и нефтедобывающей отраслях промышленности)

«FORSTAR» (основан в 1998 г.)

ВЧ соединители, коаксиальные кабели, кабельные сборки и микроволновые компоненты:

(Применяются в телекоммуникациях гражданского и специального назначения, в средствах связи, РЛС, а так же военной, авиационной и аэрокосмической отраслях промышленности).



Телефон: 8 (812) 309-75-97 (многоканальный)

Факс: 8 (812) 320-03-32

Электронная почта: [ocean@oceanchips.ru](mailto:ocean@oceanchips.ru)

Web: <http://oceanchips.ru/>

Адрес: 198099, г. Санкт-Петербург, ул. Калинина, д. 2, корп. 4, лит. А