

## Description

ZXGD3108N8 is a 40V Active OR'ing MOSFET Controller designed for driving a very low  $R_{DS(ON)}$  Power MOSFET as an ideal diode. This replaces the standard rectifier to reduce the forward voltage drop and overall increase the power transfer efficiency.

The ZXGD3108N8 can be used on both high-side and low-side power supply units (PSU) with rails up to  $\pm 40V$ . It enables very low  $R_{DS(ON)}$  MOSFETs to operate as ideal diodes as the turn-off threshold is only  $-3mV$  with  $\pm 2mV$  tolerance. In the typical 12V configuration, the standby power consumption is  $<5mW$  as the low quiescent supply current is  $<400\mu A$ . During PSU fault condition, the OR'ing Controller detects the power reduction and rapidly turns off the MOSFET in  $<600ns$  to block reverse current flow and avoid the common bus voltage dropping.

## Applications

Active OR'ing Controller in:

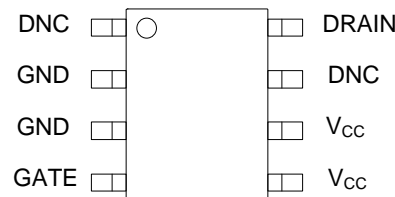
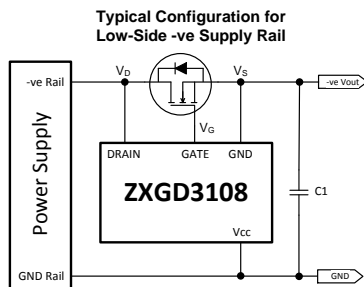
- (N+1) Redundant Power Supplies
- Telecom and Networking
- Data Centers and Servers

## Features

- Active OR'ing MOSFET Controller for High- or Low-Side PSU
- Ideal Diode to Reduce Forward Voltage Drop
- $-3mV$  Typical Turn-Off Threshold with  $\pm 2mV$  Tolerance
- 40V Drain Voltage Rating
- 25V  $V_{CC}$  Rating
- $<5mW$  Standby Power with Quiescent Supply Current  $<400\mu A$
- $<600ns$  Turn-Off Time to Minimize Reverse Current
- **Totally Lead-Free & Fully RoHS compliant (Notes 1 & 2)**
- **Halogen and Antimony free. "Green" Device (Note 3)**

## Mechanical Data

- Case: SO-8
- Case Material: Molded Plastic. "Green" Molding Compound. UL Flammability Rating 94V-0
- Moisture Sensitivity: Level 1 per J-STD-020
- Terminals: Finish – Matte Tin Plated Leads, Solderable per MIL-STD-202, Method 208 (E3)
- Weight: 0.074 grams (Approximate)



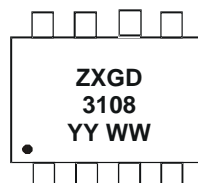
Pin Name	Pin Function
DNC	Do Not Connect
GND	Power Ground
GATE	Gate Drive
DRAIN	Drain Sense
$V_{CC}$	Power Supply

## Ordering Information (Note 4)

Product	Marking	Reel Size (inches)	Tape Width (mm)	Quantity per Reel
ZXGD3108N8TC	ZXGD3108	13	12	2,500

- Notes:
1. No purposely added lead. Fully EU Directive 2002/95/EC (RoHS) & 2011/65/EU (RoHS 2) compliant.
  2. See [http://www.diodes.com/quality/lead\\_free.html](http://www.diodes.com/quality/lead_free.html) for more information about Diodes Incorporated's definitions of Halogen- and Antimony-free, "Green" and Lead-free.
  3. Halogen- and Antimony-free "Green" products are defined as those which contain  $<900ppm$  bromine,  $<900ppm$  chlorine ( $<1500ppm$  total Br + Cl) and  $<1000ppm$  antimony compounds.
  4. For packaging details, go to our website at <http://www.diodes.com/products/packages.html>.

## Marking Information



ZXGD = Product Type Marking Code, Line 1  
 3108 = Product Type Marking Code, Line 2  
 YY = Year (ex: 16 = 2016)  
 WW = Week (01 - 53)

**Absolute Maximum Ratings** (Voltage relative to GND, @  $T_A = +25^\circ\text{C}$ , unless otherwise specified.)

Characteristic	Symbol	Value	Unit
Supply Voltage	$V_{CC}$	25	V
Drain Pin Voltage	$V_D$	-3 to 40	V
Gate Output Voltage	$V_G$	-3 to $V_{CC} + 3$	V
Gate Driver Peak Source Current	$I_{SOURCE}$	2	A
Gate Driver Peak Sink Current	$I_{SINK}$	5	A

**Thermal Characteristics** (@  $T_A = +25^\circ\text{C}$ , unless otherwise specified.)

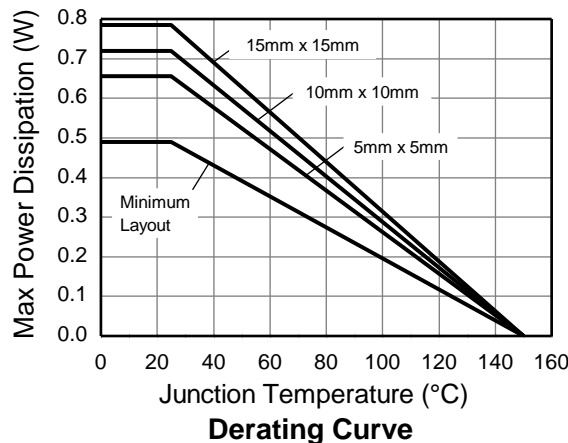
Characteristic	Symbol	Value	Unit
Power Dissipation Linear Derating Factor	$P_D$	(Note 5)	490
		(Note 6)	3.92
		(Note 7)	655
		(Note 8)	5.24
		(Note 8)	720
Thermal Resistance, Junction to Ambient	$R_{\theta JA}$	(Note 5)	5.76
		(Note 6)	785
		(Note 7)	6.28
		(Note 8)	255
Thermal Resistance, Junction to Lead	$R_{\theta JL}$	(Note 5)	191
		(Note 6)	173
		(Note 7)	159
		(Note 8)	135
Operating and Storage Temperature Range	$T_J, T_{STG}$	-50 to +150	$^\circ\text{C}$

**ESD Ratings** (Note 10)

Characteristic	Symbol	Value	Unit	JEDEC Class
Electrostatic Discharge – Human Body Model	ESD HBM	2,000	V	2
Electrostatic Discharge – Machine Model	ESD MM	200	V	B

- Notes:
5. For a device surface mounted on minimum recommended pad layout FR4 PCB with high coverage of single sided 1oz copper, in still air conditions; the device is measured when operating in a steady-state condition.
  6. Same as Note (5), except pins 2 & 3 (GND) and pins 5 & 6 ( $V_{CC}$ ) are both connected to separate 5mm x 5mm 1oz copper heat-sinks.
  7. Same as Note (6), except both heat-sinks are 10mm x 10mm.
  8. Same as Note (6), except both heat-sinks are 15mm x 15mm.
  9. Thermal resistance from junction to solder-point at the end of each lead on pins 2 & 3 (GND) and pins 5 & 6 ( $V_{CC}$ ).
  10. Refer to JEDEC specification JESD22-A114 and JESD22-A11

**Thermal Derating Curve**



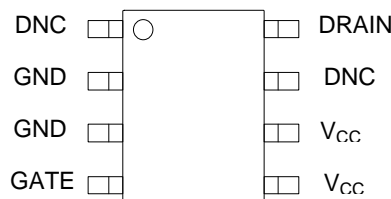
**Electrical Characteristics** (@  $V_{CC} = 12V$ ,  $T_A = +25^\circ C$ , unless otherwise specified.)

Characteristic	Symbol	Min	Typ	Max	Unit	Test Condition
<b>Input Supply</b>						
Operating Supply Voltage	$V_{CC}$	4	—	20	V	
Quiescent Current	$I_Q$	—	200	400	$\mu A$	$-0.6V \leq V_{DRAIN} \leq 30V$
<b>Gate Driver</b>						
Gate Peak Source Current	$I_{SOURCE}$	—	0.66	—	A	$C_L = 47nF$
Gate Peak Sink Current	$I_{SINK}$	—	3.3	—		
Gate Peak Source Current (Note 11)	$I_{SOURCE}$	1	—	—	A	$V_{GATE} = 5V$ & $V_{DRAIN} = -1V$
Gate Peak Sink Current (Note 11)	$I_{SINK}$	1.8	—	—	A	$V_{GATE} = 5V$ & $V_{DRAIN} = 1V$
<b>Detector Under DC Condition</b>						
Turn-Off Threshold Voltage	$V_T$	-5	-3	-1	mV	$V_G \leq 1V$
Gate Output Voltage	$V_{G(OFF)}$	—	0.1	0.3	V	$V_{DRAIN} \geq 0mV$ $V_{DRAIN} = -8mV$ $V_{DRAIN} \geq 0mV$ & $V_{CC} = 4V$ $V_{DRAIN} = -8mV$ & $V_{CC} = 4V$ $V_{DRAIN} \geq -8mV$ & $V_{CC} = 20V$ $V_{DRAIN} = -8mV$ & $V_{CC} = 20V$
	$V_G$	10.5	10.9			
	$V_{G(OFF)}$	—	0.1	0.3		
	$V_G$	2.5	2.9	—		
	$V_{G(OFF)}$	—	0.1	0.3		
	$V_G$	18.5	18.8	—		
<b>Switching Performance</b>						
Turn-On Propagation Delay	$t_{D(RISE)}$	—	400	—	ns	$C_L = 47nF$ Rise and Fall Measured 10% to 90% Refer to Application Test Circuit Below
Gate Rise Time	$t_R$	—	695	—		
Turn-Off Propagation Delay	$t_{D(FALL)}$	—	400	—		
Gate Fall Time	$t_F$	—	131	—		

Note: 11. Measured under pulsed conditions. Pulse width = 300 $\mu s$ . Duty cycle  $\leq 2\%$ .

**Pin Functions**

Pin Number	Pin Name	Pin Function and Description
1, 7	DNC	<b>Do Not Connect</b> Leave pin floating.
2, 3	GND	<b>Ground</b> Connect this pin to the MOSFET source terminal and ground reference point.
4	GATE	<b>Gate Drive</b> This pin sources ( $I_{SOURCE}$ ) and sinks ( $I_{SINK}$ ) current into the MOSFET gate. The turn-on time of the MOSFET can be programmed through an external gate resistor ( $R_G$ ).
5, 6	$V_{CC}$	<b>Power Supply</b> This supply pin should be closely decoupled to ground with a X7R type capacitor.
8	DRAIN	<b>Drain Sense</b> Connect this pin to the MOSFET drain terminal to detect the change in drain-source voltage.

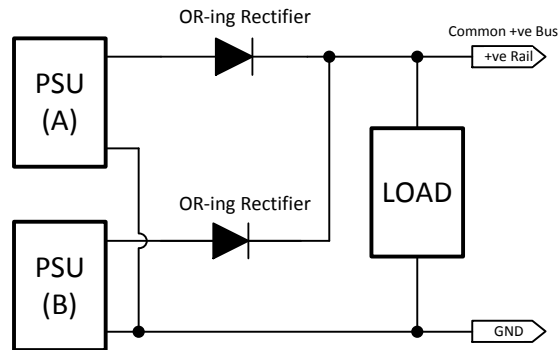


## Layout Considerations

The GATE Pin should be close to the MOSFET gate to minimize trace resistance and inductance to maximize switching performance. While the  $V_{CC}$  to GND Pin needs an X7R type capacitor closely decoupling the supply. Trace widths should be maximized in the high current paths through the MOSFET and ground return loop in order to minimize the effects of circuit resistance and inductance. The ground return loop should also be as short as possible.

For thermal consideration, the main heat path is from pins 2 and 3 (GND), and pins 5 and 6 ( $V_{CC}$ ). For best thermal performance, connect the copper area to pins 2 and 3 (GND), and pins 5 and 6 ( $V_{CC}$ ) should be maximized.

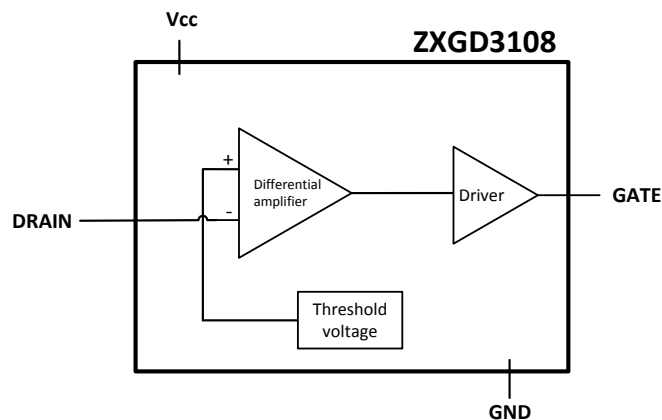
## Active OR'ing or (N+1) Redundancy Application



Critical systems require fault-tolerant power supply that can be achieved by paralleling two or more PSUs into (N+1) redundancy configuration. During normal operation, usually all PSUs equally share the load for maximum reliability. If one of the PSU is unplugged or fails, then the other PSUs fully support the load. To avoid the faulty PSU from affecting the common bus, then an OR-ing rectifier blocks the reverse current flow into the faulty PSU. Likewise during hot-swapping, the OR'ing rectifiers isolate a PSU's discharged output capacitors from the common bus.

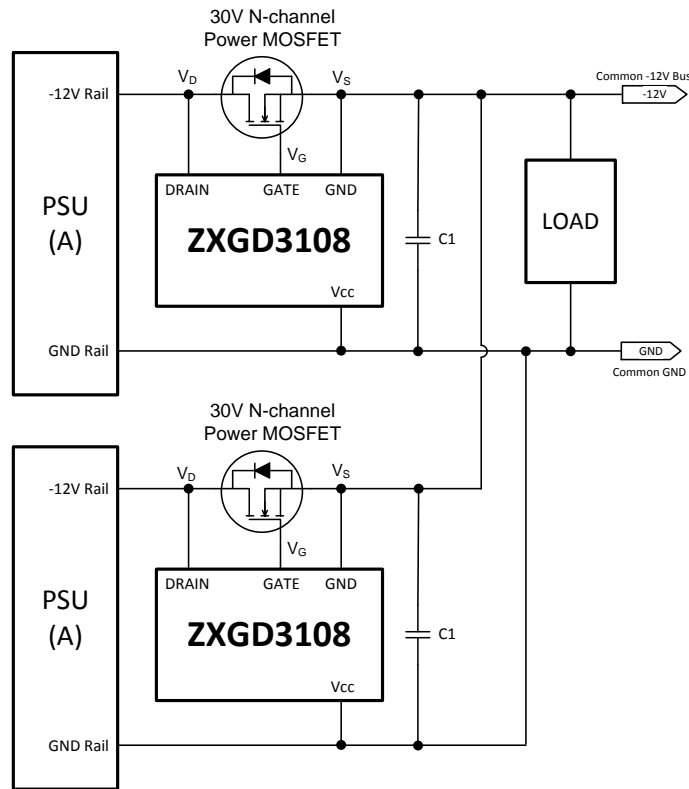
As the load current is in the tens of amps then a standard rectifier has a significant forward voltage drop. This both wastes power and significantly drops the potential on low voltage rails. Hence, very low  $R_{DS(ON)}$  Power MOSFETs can replace the standard rectifiers and the ZXGD3108 controls the MOSFET as an ideal diode.

## Functional Block Diagram

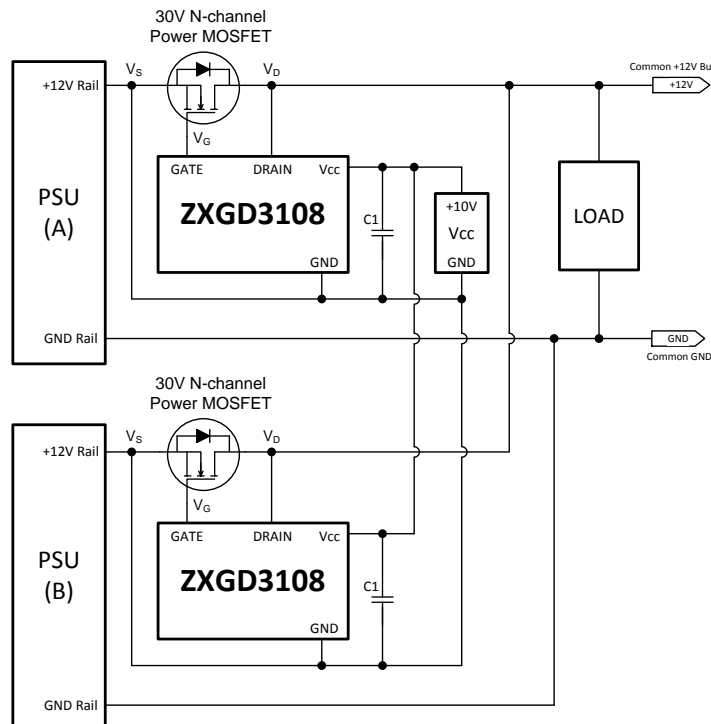


The device is comprised of a differential amplifier and high current driver. The differential amplifier acts as a detector and monitors the DRAIN-to-GND Pin voltage difference. When this difference is less than the threshold voltage ( $V_T$ ), then a positive output voltage approaching  $V_{CC}$  is given on the GATE Pin. Conversely, when the DRAIN-to-GND Pin voltage difference is greater than  $V_T$ , then the GATE Pin voltage is rapidly reduced towards the GND voltage.

**Typical Application Circuits**



**Focus Application of the ZXGD3108 OR'ing Controller is for Redundant Low-Side -12V Power Supply Rail**

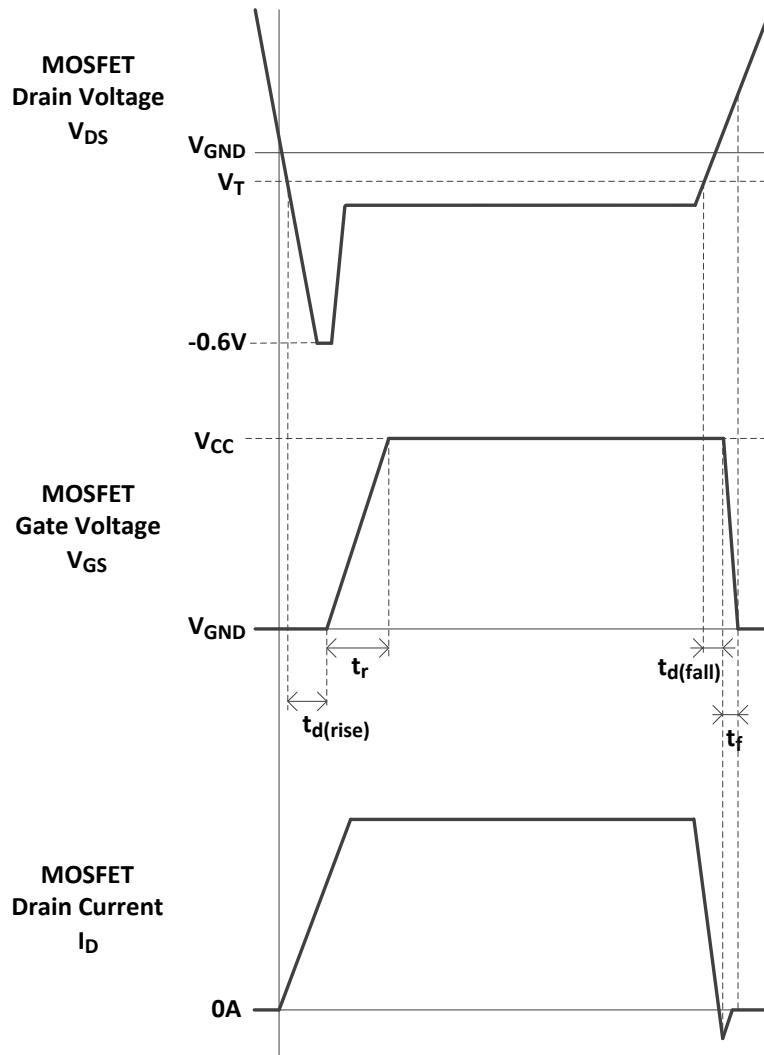


**Example of the ZXGD3108 OR'ing Controller in a Redundant High-Side +12V Power Supply Rail with V<sub>CC</sub> Supply**

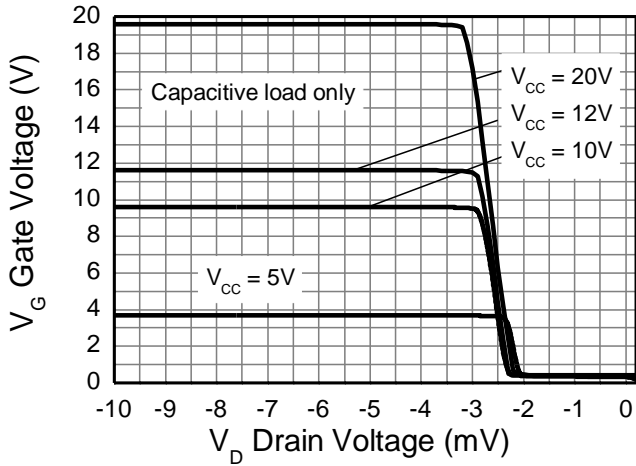
## Operation in Typical Application

The ZXGD3108 operation is described step-by-step with reference to the typical application circuits and the timing diagram below:

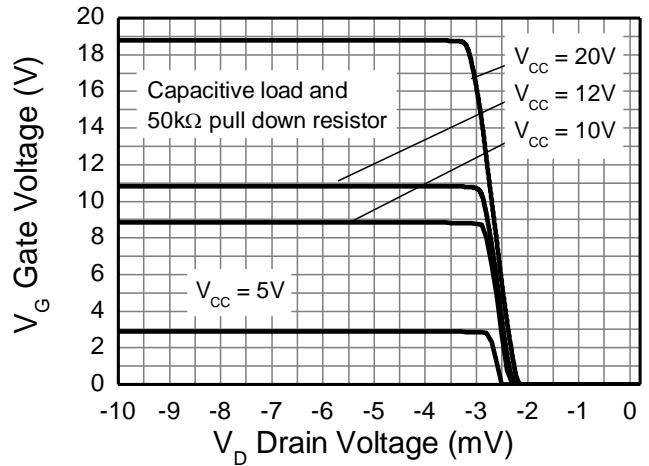
1. The ZXGD3108 differential amplifier monitors the MOSFET's drain-source voltage ( $V_{DS}$ ).
2. At system start up, the MOSFET body diode is forced to conduct current from the input PSU to the load and  $V_{DS}$  is approximately  $-0.6V$  as measured by the differential amplifier between DRAIN-to-GND pins.
3. As  $V_{DS} < V_T$  (threshold voltage), then the differential amplifier outputs a positive voltage approaching  $V_{CC}$  with respect to GND. This feeds the driver stage from which the GATE Pin voltage rises towards  $V_{CC}$ .
4. The sourcing current out of the GATE Pin drives the MOSFET gate to enhance the channel and turn it on.
5. If a short condition occurs on the input PSU, it causes the MOSFET  $V_{DS}$  to increase.
6. When  $V_{DS} > V_T$ , then the differential amplifier's output goes to GND and the driver stage rapidly pulls the GATE Pin voltage to GND, turning off the MOSFET channel. This prevents high reverse current flow from the load to the PSU which could pull down the common bus voltage causing catastrophic system failure.



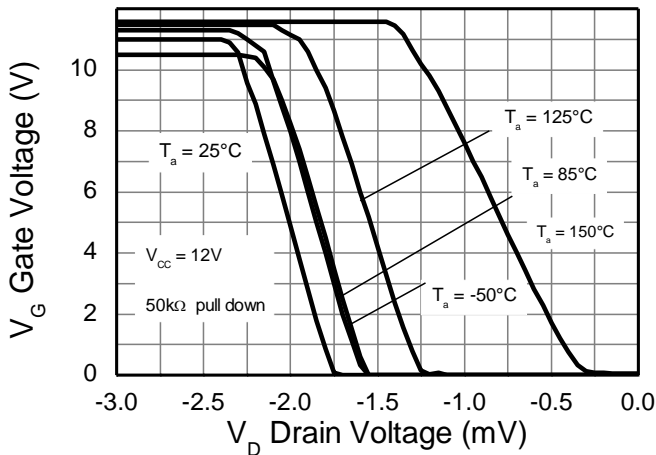
**Typical Electrical Characteristics** (@T<sub>A</sub> = +25°C, unless otherwise specified.)



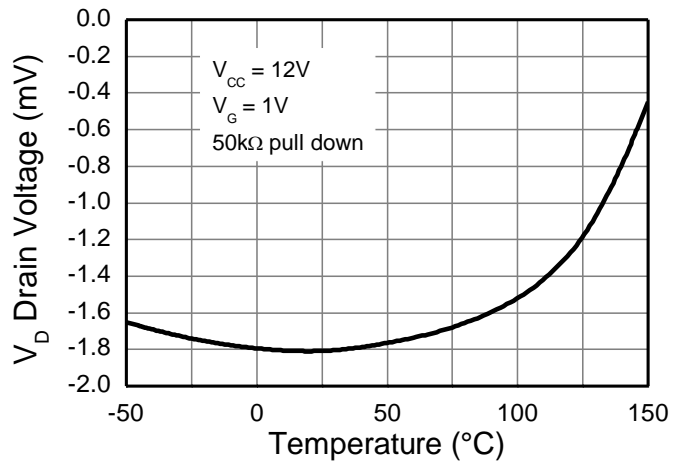
**Transfer Characteristic**



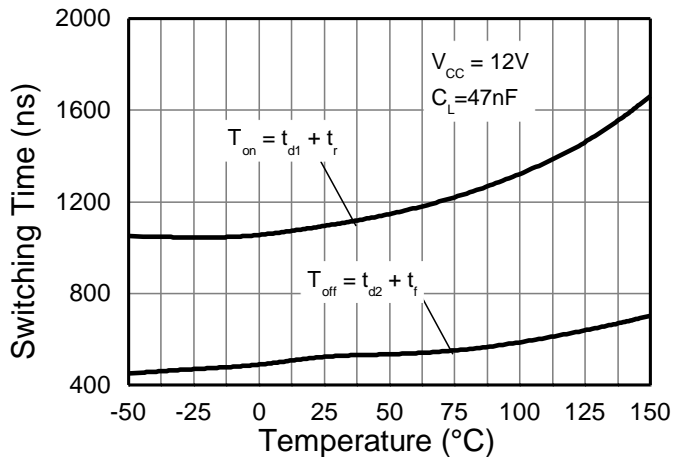
**Transfer Characteristic**



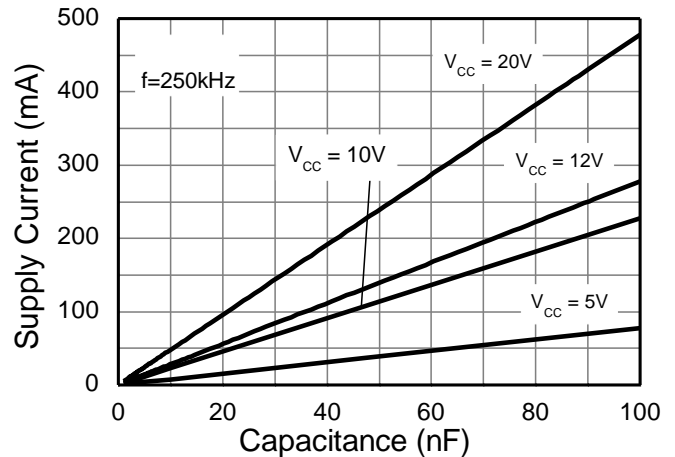
**Transfer Characteristic**



**Drain Sense Voltage vs Temperature**

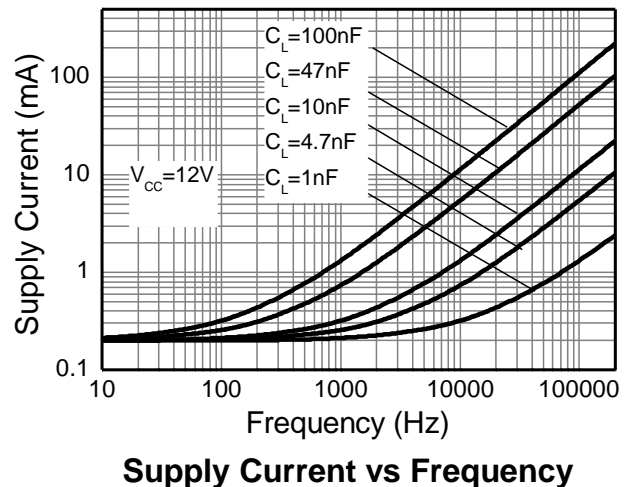
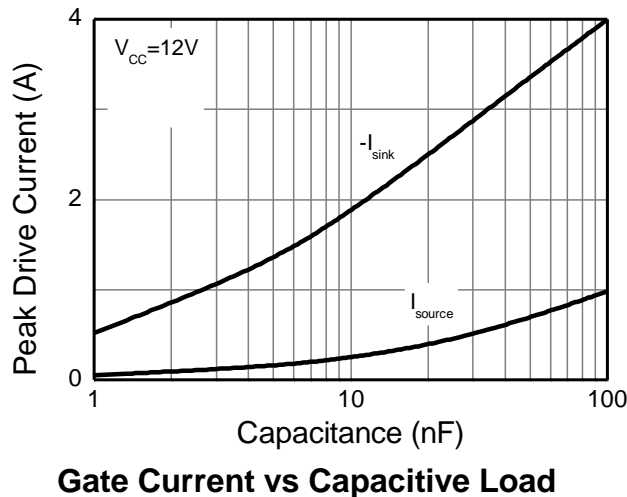
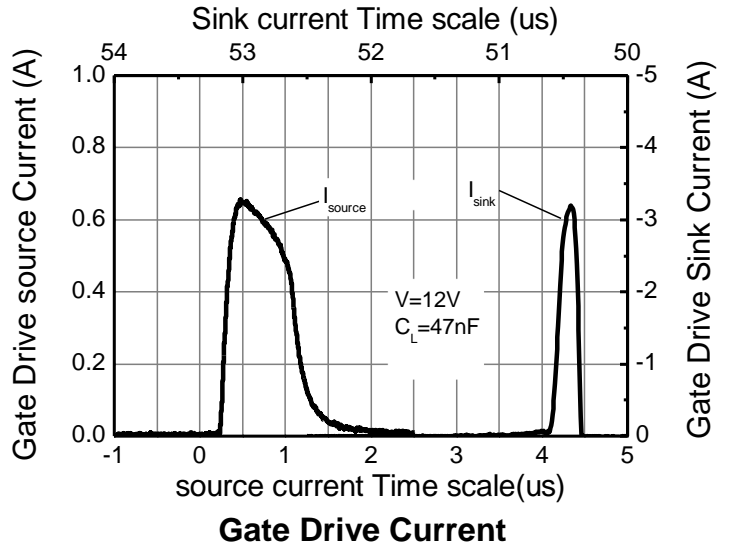
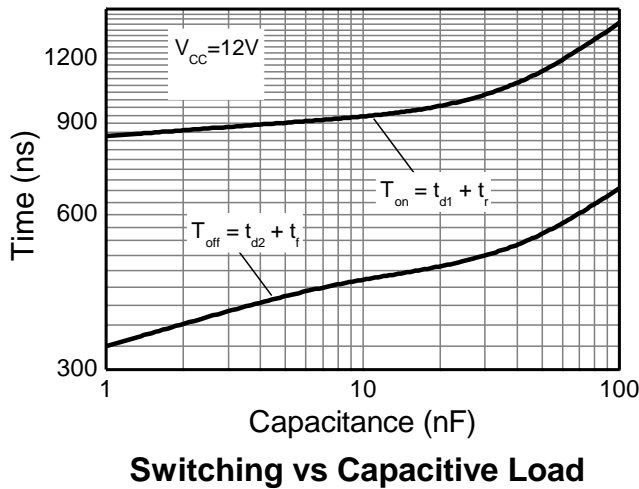
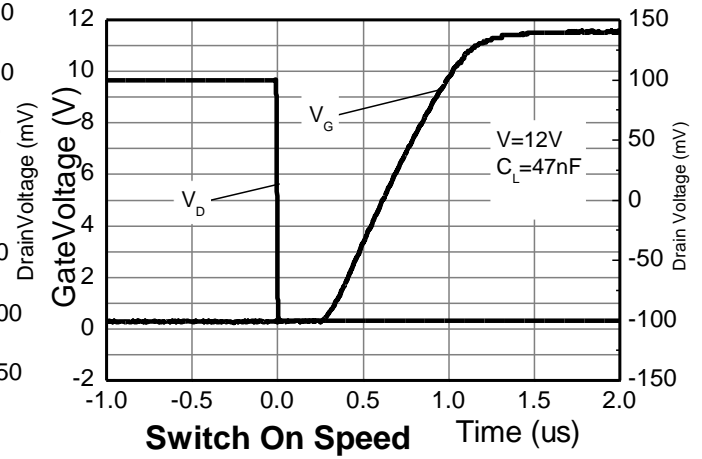
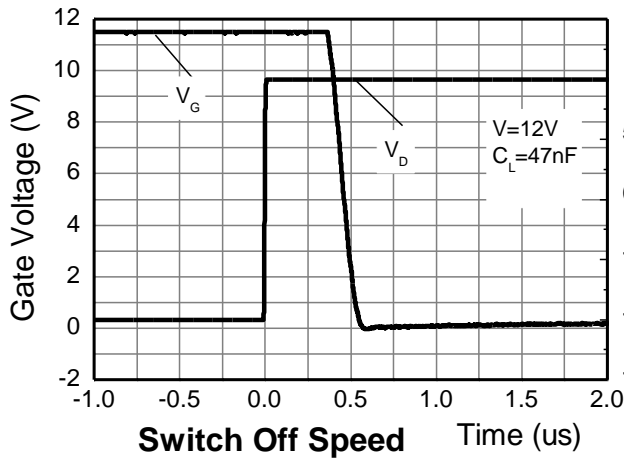


**Switching vs Temperature**



**Supply Current vs Capacitive Load**

**Typical Electrical Characteristics** (Continued) (@T<sub>A</sub> = +25°C, unless otherwise specified.)

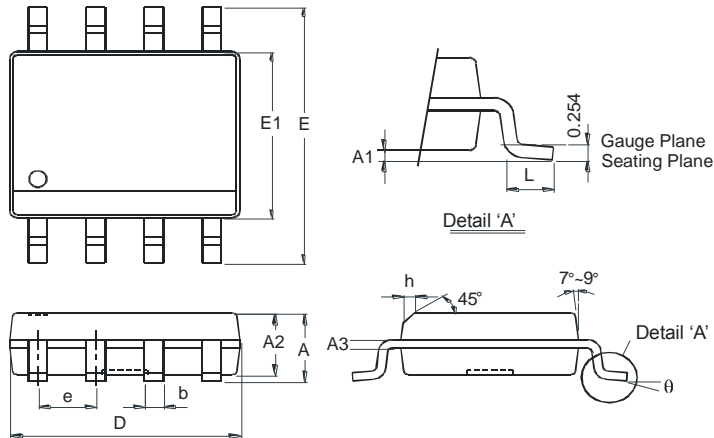




**Package Outline Dimensions**

Please see AP02001 at [http://www.diodes.com/\\_files/datasheets/ap02001.pdf](http://www.diodes.com/_files/datasheets/ap02001.pdf) for the latest version.

**SO-8**

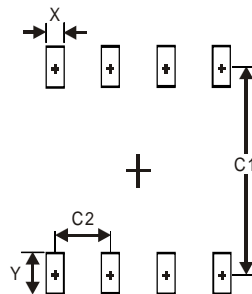


SO-8		
Dim	Min	Max
A	-	1.75
A1	0.10	0.20
A2	1.30	1.50
A3	0.15	0.25
b	0.3	0.5
D	4.85	4.95
E	5.90	6.10
E1	3.85	3.95
e	1.27 Typ	
h	-	0.35
L	0.62	0.82
θ	0°	8°
<b>All Dimensions in mm</b>		

**Suggested Pad Layout**

Please see AP02001 at [http://www.diodes.com/\\_files/datasheets/ap02001.pdf](http://www.diodes.com/_files/datasheets/ap02001.pdf) for the latest version.

**SO-8**



Dimensions	Value (in mm)
X	0.60
Y	1.55
C1	5.4
C2	1.27

**IMPORTANT NOTICE**

DIODES INCORPORATED MAKES NO WARRANTY OF ANY KIND, EXPRESS OR IMPLIED, WITH REGARDS TO THIS DOCUMENT, INCLUDING, BUT NOT LIMITED TO, THE IMPLIED WARRANTIES OF MERCHANTABILITY AND FITNESS FOR A PARTICULAR PURPOSE (AND THEIR EQUIVALENTS UNDER THE LAWS OF ANY JURISDICTION).

Diodes Incorporated and its subsidiaries reserve the right to make modifications, enhancements, improvements, corrections or other changes without further notice to this document and any product described herein. Diodes Incorporated does not assume any liability arising out of the application or use of this document or any product described herein; neither does Diodes Incorporated convey any license under its patent or trademark rights, nor the rights of others. Any Customer or user of this document or products described herein in such applications shall assume all risks of such use and will agree to hold Diodes Incorporated and all the companies whose products are represented on Diodes Incorporated website, harmless against all damages.

Diodes Incorporated does not warrant or accept any liability whatsoever in respect of any products purchased through unauthorized sales channel. Should Customers purchase or use Diodes Incorporated products for any unintended or unauthorized application, Customers shall indemnify and hold Diodes Incorporated and its representatives harmless against all claims, damages, expenses, and attorney fees arising out of, directly or indirectly, any claim of personal injury or death associated with such unintended or unauthorized application.

Products described herein may be covered by one or more United States, international or foreign patents pending. Product names and markings noted herein may also be covered by one or more United States, international or foreign trademarks.

This document is written in English but may be translated into multiple languages for reference. Only the English version of this document is the final and determinative format released by Diodes Incorporated.

**LIFE SUPPORT**

Diodes Incorporated products are specifically not authorized for use as critical components in life support devices or systems without the express written approval of the Chief Executive Officer of Diodes Incorporated. As used herein:

A. Life support devices or systems are devices or systems which:

1. are intended to implant into the body, or
2. support or sustain life and whose failure to perform when properly used in accordance with instructions for use provided in the labeling can be reasonably expected to result in significant injury to the user.

B. A critical component is any component in a life support device or system whose failure to perform can be reasonably expected to cause the failure of the life support device or to affect its safety or effectiveness.

Customers represent that they have all necessary expertise in the safety and regulatory ramifications of their life support devices or systems, and acknowledge and agree that they are solely responsible for all legal, regulatory and safety-related requirements concerning their products and any use of Diodes Incorporated products in such safety-critical, life support devices or systems, notwithstanding any devices- or systems-related information or support that may be provided by Diodes Incorporated. Further, Customers must fully indemnify Diodes Incorporated and its representatives against any damages arising out of the use of Diodes Incorporated products in such safety-critical, life support devices or systems.

Copyright © 2016, Diodes Incorporated

[www.diodes.com](http://www.diodes.com)

Компания «Океан Электроники» предлагает заключение долгосрочных отношений при поставках импортных электронных компонентов на взаимовыгодных условиях!

Наши преимущества:

- Поставка оригинальных импортных электронных компонентов напрямую с производств Америки, Европы и Азии, а так же с крупнейших складов мира;
- Широкая линейка поставок активных и пассивных импортных электронных компонентов (более 30 млн. наименований);
- Поставка сложных, дефицитных, либо снятых с производства позиций;
- Оперативные сроки поставки под заказ (от 5 рабочих дней);
- Экспресс доставка в любую точку России;
- Помощь Конструкторского Отдела и консультации квалифицированных инженеров;
- Техническая поддержка проекта, помощь в подборе аналогов, поставка прототипов;
- Поставка электронных компонентов под контролем ВП;
- Система менеджмента качества сертифицирована по Международному стандарту ISO 9001;
- При необходимости вся продукция военного и аэрокосмического назначения проходит испытания и сертификацию в лаборатории (по согласованию с заказчиком);
- Поставка специализированных компонентов военного и аэрокосмического уровня качества (Xilinx, Altera, Analog Devices, Intersil, Interpoint, Microsemi, Actel, Aeroflex, Peregrine, VPT, Syfer, Eurofarad, Texas Instruments, MS Kennedy, Miteq, Cobham, E2V, MA-COM, Hittite, Mini-Circuits, General Dynamics и др.);

Компания «Океан Электроники» является официальным дистрибьютором и эксклюзивным представителем в России одного из крупнейших производителей разъемов военного и аэрокосмического назначения «JONHON», а так же официальным дистрибьютором и эксклюзивным представителем в России производителя высокотехнологичных и надежных решений для передачи СВЧ сигналов «FORSTAR».



## JONHON

«JONHON» (основан в 1970 г.)

Разъемы специального, военного и аэрокосмического назначения:

(Применяются в военной, авиационной, аэрокосмической, морской, железнодорожной, горно- и нефтедобывающей отраслях промышленности)

«FORSTAR» (основан в 1998 г.)

ВЧ соединители, коаксиальные кабели, кабельные сборки и микроволновые компоненты:

(Применяются в телекоммуникациях гражданского и специального назначения, в средствах связи, РЛС, а так же военной, авиационной и аэрокосмической отраслях промышленности).



Телефон: 8 (812) 309-75-97 (многоканальный)

Факс: 8 (812) 320-03-32

Электронная почта: [ocean@oceanchips.ru](mailto:ocean@oceanchips.ru)

Web: <http://oceanchips.ru/>

Адрес: 198099, г. Санкт-Петербург, ул. Калинина, д. 2, корп. 4, лит. А