

RX INVERTER

Customised to your machine



» High motor-control performance

» Built-in know-how functionality

» Uncompromising Omron quality

High performance to match your application

Omron realises that you need quality and reliability, plus the ability to easily and quickly customise your inverter to the application in hand. And with the RX, you have the perfect tool for the job.

Naturally it combines the same high level of quality and performance for which Omron is renowned. It also has abundant application functionality on board and you can customise it yourself to match your precise requirements.

Key features include:

- Up to 132 kW
- Built-in EMC filter
- Sensor-less and vector closed-loop control
- High starting torque in open loop (200% at 0.3 Hz)
- Double rating VT 120%/1 min and CT 150%/1 min
- Full torque at 0 Hz in closed loop
- Drive Programming
- Built-in application functionality
- Micro-surge voltage suppression
- Fieldbus communications: Modbus, DeviceNet, Profibus, Component, EtherCAT & ML-II

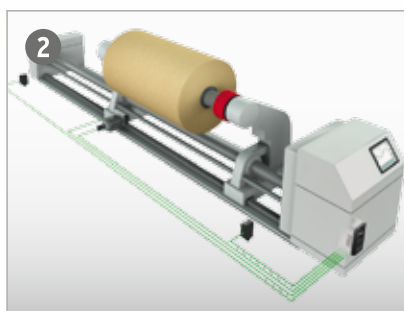




Free to program

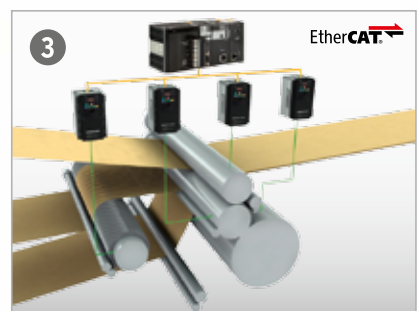
Drive Programming enables you to make your own programs to suit your machine, e.g. for an unwinding application. Up to 1000 lines of code and 5 tasks running in parallel in 2 programming modes:

- Intuitive Flow Chart programming
- Text Editor programming, including code completion and user defined aliases



Positioning functionality

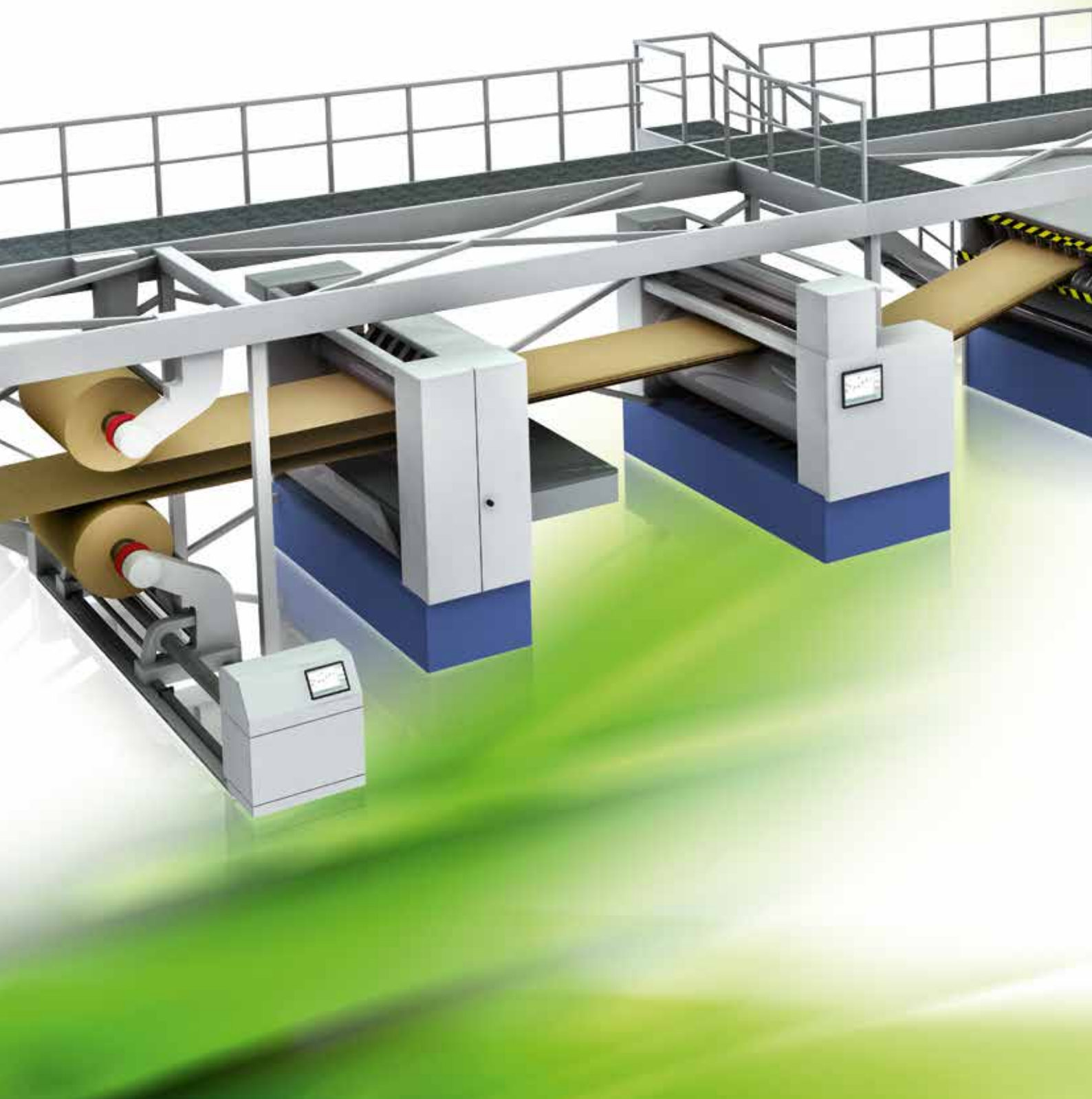
Simple positioning is handled by the inverter itself without the need for an external motion controller. Functions include pulse trace position control mode, homing and position teaching.



Network Integration

Built-in RS485 Modbus communications and the possibility for integration in standard industrial networks, such as DeviceNet, Profibus, CompoNet or EtherCAT makes the RX suitable for machine integration.

**From high torque to
high motor efficiency...**



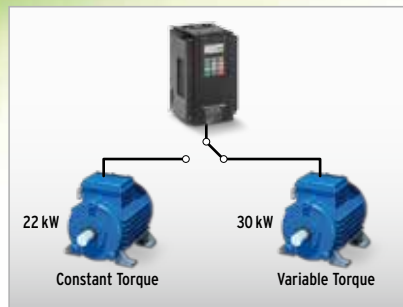
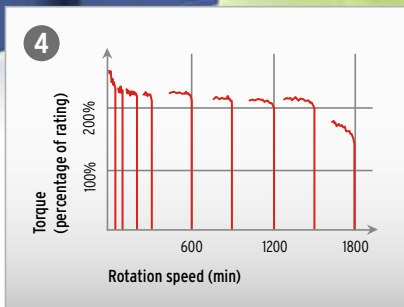


Reliability with environmental responsibility

Omron is renowned for the reliability of its products. Moreover, Omron's policy is to offer environmentally safe products free from any banned substances.



4



Sensor-less vector control at 0 Hz domain

With the benefit of patented 0 Hz domain open-loop control mode, the RX can develop 150% torque at 0 Hz allowing zero speed load holding. Moreover, an improved sensor-less vector control algorithm enables the RX to develop more than 200% starting torque at 0.3 Hz.

Motor efficiency

RX is able to increase the output current by around 20% when moving from Constant Torque to Variable Torque control. By doing that RX can drive one frame size bigger motor. Variable torque benefit is higher energy saving at pumps and fans applications.

Long life design

RX has been designed with high quality components to guarantee a long operation life and minimise downtime. It includes a versatile maintenance function that warns the user in the event of DC bus capacitor temperature rise or cooling speed reduction.

RX

Customised to your machine

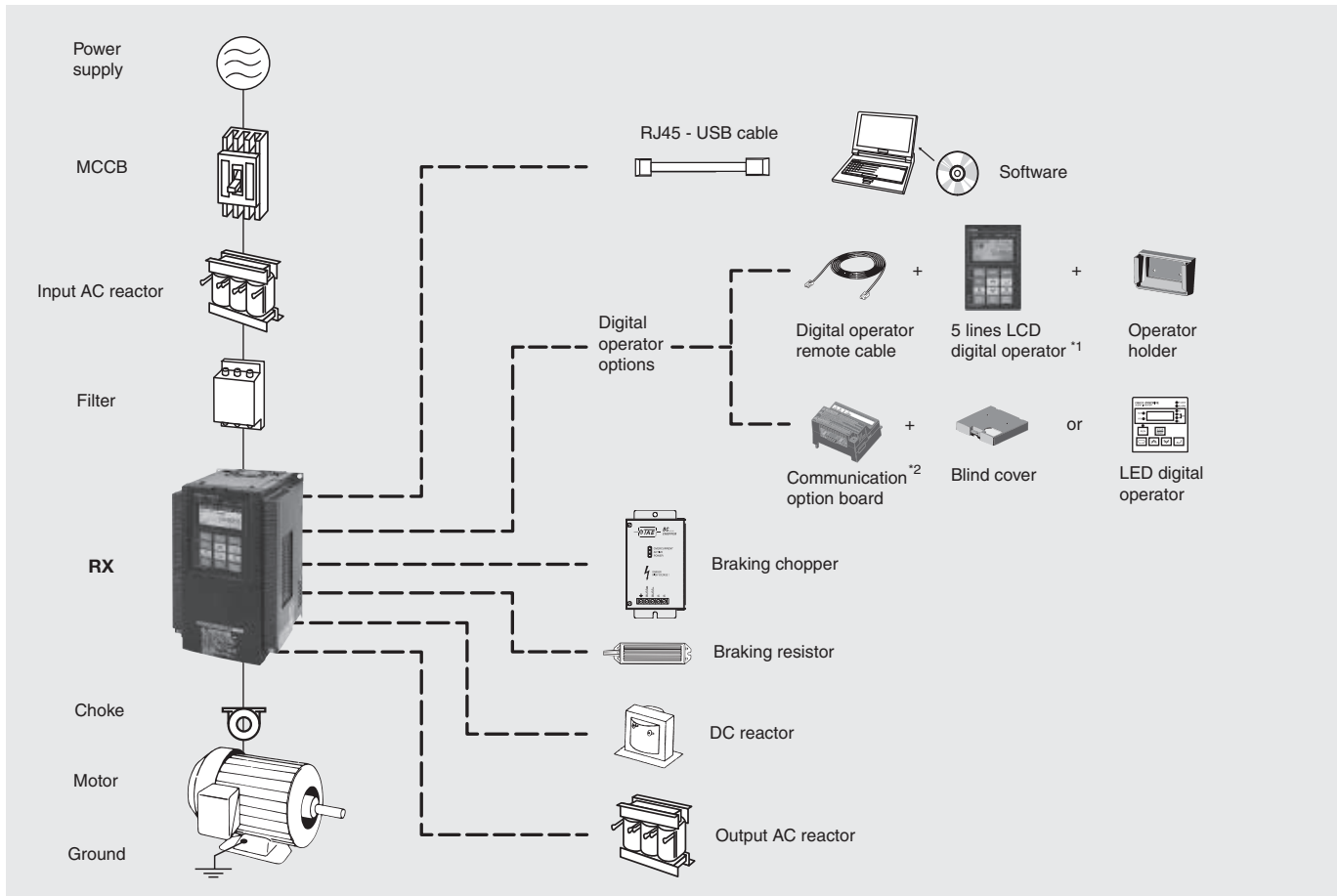
- Up to 132 kW
- High starting torque in open loop: 200% at 0.3Hz
- Full torque at 0 Hz in closed loop
- Sensor-less and vector closed-loop control
- Double rating VT 120%/1 min and CT 150%/1 min
- Built-in EMC filter
- Built-in logic programmability
- Built-in application functionality
- Positioning functionality
- Automatic energy saving
- Micro-surge voltage suppression
- Modbus RS485 (options for other networks)
- CE, cULus, RoHS

Ratings

- 200 V Class three-phase 0.4 to 55 kW
- 400 V Class three-phase 0.4 to 132 kW



System configuration

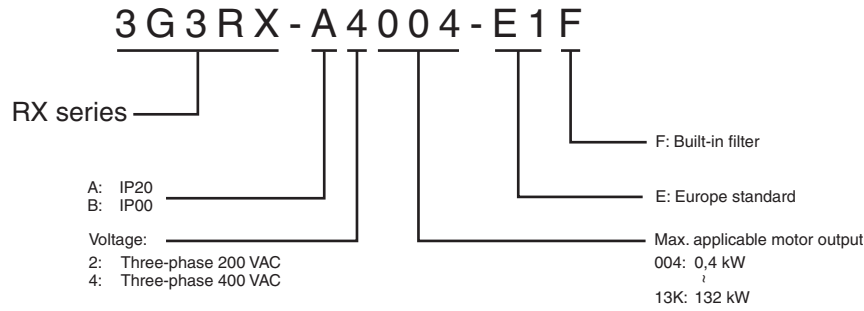


*1 The 5 lines LCD digital operator is provided with the inverter from factory.

*2 When a communication option board is mounted, there are two options: mount a blind cover or a LED digital operator.

Specifications

Type designation



200 V class

Three-phase: 3G3RX-□		A2004	A2007	A2015	A2022	A2037	A2055	A2075	A2110	A2150	A2185	A2220	A2300	A2370	A2450	A2550		
Max applicable motor 4P kW ¹	at CT	0.4	0.75	1.5	2.2	3.7	5.5	7.5	11	15	18.5	22	30	37	45	55		
	at VT	0.75	1.5	2.2	3.7	5.5	7.5	11	15	18.5	22	30	37	45	55	75		
Output characteristics	Inverter capacity kVA	200 V	at CT	1.0	1.7	2.5	3.6	5.7	8.3	11.0	15.9	22.1	26.3	32.9	41.9	50.2	63.0	76.2
			at VT	1.3	2.1	3.2	4.1	6.7	10.4	15.2	20.0	26.3	29.4	39.1	49.5	59.2	72.7	93.5
	240 V	at CT	1.2	2.0	3.1	4.3	6.8	9.9	13.3	19.1	26.6	31.5	39.4	50.2	60.2	75.6	91.4	
		at VT	1.5	2.6	3.9	5.0	8.1	12.4	18.2	24.1	31.5	35.3	46.9	59.4	71.0	87.2	112.2	
Rated output current (A)	at CT	3.0	5.0	7.5	10.5	16.5	24	32	46	64	76	95	121	145	182	220		
	at VT	3.7	6.3	9.4	12	19.6	30	44	58	73	85	113	140	169	210	270		
Max. output voltage		Proportional to input voltage: 0 to 240 V																
Max. output frequency		400 Hz																
Power supply	Rated input voltage and frequency		3-phase 200 to 240 V 50/60 Hz															
	Allowable voltage fluctuation		-15% to 10%															
	Allowable frequency fluctuation		5%															
Braking	Regenerative braking		Internal BRD circuit (external discharge resistor)												External regenerative braking unit			
	Minimum connectable resistance		50	50	35	35	35	16	10	10	7.5	7.5	5					
Protective structure		IP20																
Cooling method		Forced air cooling																

¹ Based on a standard 3-Phase standard motor.

400 V class

Three-phase: 3G3RX-□		A4004	A4007	A4015	A4022	A4040	A4055	A4075	A4110	A4150	A4185	A4220	A4300	A4370	A4450	A4550	B4750	B4900	B411K	B413K		
Max applicable motor 4P kW ¹	at CT	0.4	0.75	1.5	2.2	4.0	5.5	7.5	11	15	18.5	22	30	37	45	55	75	90	110	132		
	at VT	0.75	1.5	2.2	4.0	5.5	7.5	11	15	18.5	22	30	37	45	55	75	90	110	132	160		
Output characteristics	Inverter capacity kVA	400 V	at CT	1.0	1.7	2.5	3.6	6.2	9.7	13.1	17.3	22.1	26.3	33.2	40.1	51.9	63.0	77.6	103.2	121.9	150.3	180.1
			at VT	1.3	2.1	3.3	4.6	7.7	11.0	15.2	20.9	25.6	30.4	39.4	48.4	58.8	72.7	93.5	110.8	135	159.3	200.9
	480 V	at CT	1.2	2.0	3.1	4.3	7.4	11.6	15.8	20.7	26.6	31.5	39.9	48.2	62.3	75.6	93.1	123.8	146.3	180.4	216.1	
		at VT	1.5	2.5	4.0	5.5	9.2	13.3	18.2	24.1	30.7	36.5	47.3	58.1	70.6	87.2	112.2	133	162.1	191.2	241.1	
Rated output current (A)	at CT	1.5	2.5	3.8	5.3	9.0	14	19	25	32	38	48	58	75	91	112	149	176	217	260		
	at VT	1.9	3.1	4.8	6.7	11.1	16	22	29	37	43	57	70	85	105	135	160	195	230	290		
Max. output voltage		Proportional to input voltage: 0 to 480 V																				
Max. output frequency		400 Hz																				
Power supply	Rated input voltage and frequency		3-phase 380 to 480 V 50/60 Hz																			
	Allowable voltage fluctuation		-15% to 10%																			
	Allowable frequency fluctuation		5%																			
Braking	Regenerative braking		Internal BRD circuit (external discharge resistor)																External regenerative braking unit			
	Minimum connectable resistance		100	100	100	100	70	70	35	35	24	24	20									
Protective structure		IP20																IP00				
Cooling method		Forced air cooling																				

¹ Based on a standard 3-Phase standard motor.

Common specifications

Model number 3G3RX		Specifications	
Control functions	Control methods	Phase-to-phase sinusoidal pulse with modulation PWM (Sensorless vector control, close loop vector with motor feedback, V/F)	
	Output frequency range	0.10 to 400.00 Hz	
	Frequency precision	Digital set value: $\pm 0.01\%$ of the max. frequency Analogue set value: $\pm 0.2\%$ of the max. frequency (25 $\pm 10^\circ\text{C}$)	
	Resolution of frequency set value	Digital set value: 0.01 Hz Analog input: 12 bit	
	Resolution of output frequency	0.01 Hz	
	Starting torque	150%/0.3 Hz (under sensor-less vector control or sensor-less vector control at 0 Hz) 200%/Torque at 0 Hz (under sensor-less vector control at 0Hz, when a motor size one rank lower than specified is connected)	
	Overload capability	150%/60 s, 200%/3 s for CT; 120%/60 s VT	
	Frequency set value	0 to 10 VDC (10 K Ω), -10 to 10 VDC (10 K Ω), 4 to 20 mA (100 Ω), RS485 Modbus, Network options	
	V/f Characteristics	V/f optionally changeable at base frequencies of 30 to 400 Hz, V/f braking constant torque, reduction torque, sensor-less vector control, sensor-less vector control at 0 Hz	
	Functionality	Inputs signals	8 terminals, NO/NC switchable, sink/source logic switchable [Terminal function] 8 functions can be selected from among 61. Reverse (RV), Multi-step speed setting binary 1 (CF1), Multi-step speed setting binary 2 (CF2), Multi-step speed setting binary 3 (CF3), Multi-step speed setting binary 4 (CF4), Jogging (JG), DC injection braking (DB), 2nd control (SET), 2-step acceleration/deceleration (2CH), Free-run stop (FRS), External trip (EXT), USP function (USP), Commercial switching (CS), Soft lock (SFT), Analog input switching (AT), 3rd control (SET3), Reset (RS), 3-wire start (STA), 3-wire stop (STP), 3-wire forward/reverse (F/R), PID enabled/disabled (PID), PID integral reset (PIDC), Control gain switching (CAS), UP/DWN function accelerated (UP), UP/DWN function decelerated (DWN), UP/DWN function data clear (UDC), Forced operator (OPE), Multi-step speed setting bit 1 (SF1), Multi-step speed setting bit 2 (SF2), Multi-step speed setting bit 3 (SF3), Multi-step speed setting bit 4 (SF4), Multi-step speed setting bit 5 (SF5), Multi-step speed setting bit 6 (SF6), Multi-step speed setting bit 7 (SF7), Overload limit switching (OLR), Torque limit enabled (TL), Torque limit switching 1 (TRQ1), Torque limit switching 2 (TRQ2), P/PI switching (PPI), Brake confirmation (BOK), Orientation (ORT), LAD cancel (LAC), Position deviation clear (PCLR), Pulse train position command input permission (STAT), Frequency addition function (ADD), Forced terminal block (F-TM), Torque reference input permission (ATR), Integrated power clear (KHC), Servo ON (SON), Preliminary excitation (FOC), Analog command on hold (AHD), Position command selection 1 (CP1), Position command selection 2 (CP2), Position command selection 3 (CP3), Zero return limit signal (ORL), Zero return startup signal (ORG), Forward driving stop (FOT), Reverse driving stop (ROT), Speed/Position switching (SPD), Pulse counter (PCNT), Pulse counter clear (PCC), No allocation (no)
Output signals		5 open collector output terminals: NO/NC switchable, sink/source logic switchable 1 relay (SPDT contact) output terminal: NO/NC switchable [Terminal function] 6 functions can be selected from among 45. Signal during RUN (RUN), Constant speed arrival signal (FA1), Over set frequency arrival signal (FA2), Overload warning (OL), Excessive PID deviation (OD), Alarm signal (AL), Set-frequency-only arrival signal (FA3), Overtorque (OTQ), Signal during momentary power interruption (IP), Signal during undervoltage (UV), Torque limit (TRQ), RUN time exceeded (RNT), Power ON time exceeded (ONT), Thermal warning (THM), Brake release (BRK), Brake error (BER), 0-Hz signal (ZS), Excessive speed deviation (DSE), Position ready (POK), Set frequency exceeded 2 (FA4), Set frequency only 2 (FA5), Overload warning 2 (OL2), Analog FV disconnection detection (FVDC), Analog FI disconnection detection (FIDc), Analog FE disconnection detection (FEDc), PID FB status output (FBV), Network error (NDc), Logic operation output 1 (LOG1), Logic operation output 2 (LOG2), Logic operation output 3 (LOG3), Logic operation output 4 (LOG4), Logic operation output 5 (LOG5), Logic operation output 6 (LOG6), Capacitor life warning (WAC), Cooling fan life warning (WAF), Starting contact signal (FR), Fin overheat warning (OHF), Light load detection signal (LOC), Operation ready (IRDY), Forward run (FWR), Reverse run (RVR), Fatal fault (MJA), Window comparator FV (WCFV), Window comparator FI (WCFI), Window comparator FE (WCFE), Alarm codes 0 to 3 (AC0 to AC3)	
Standard functions		V/f free setting (7), Upper/lower frequency limit, Frequency jump, Curve acceleration/deceleration, Manual torque boost level/break, Energy-saving operation, Analog meter adjustment, Starting frequency, Carrier frequency adjustment, Electronic thermal function, (free setting available), External start/end (frequency/rate), Analog input selection, Trip retry, Restart during momentary power interruption, Various signal outputs, Reduced voltage startup, Overload limit, Initialization value setting, Automatic deceleration at power-off, AVR function, Automatic acceleration/deceleration, Auto tuning (Online/Offline), High torque multi-motor operation control (sensor-less vector control of two monitors with one inverter)	
Analogue inputs		Analogue inputs 0 to 10 V and -10 to 10 V (10 K Ω), 4 to 20 mA (100 Ω)	
Analogue outputs		Analogue voltage output, Analog current output, Pulse train output	
Accel/Decel times		0.01 to 3,600.0 s (line/curve selection)	
Display		Status indicator LED's Run, Program, Power, Alarm, Hz, Amps, Volts, % Digital operator: Available to monitor 23 items, output current, output frequency...	
Protection functions		Motor overload protection	Electronic Thermal overload relay and PTC thermistor input
		Instantaneous overcurrent	200% of rated current for 3 seconds
		Overload	150% for 1 minute
	Overvoltage	800 V for 400 V type and 400 V for 200 V type	
	Momentary power loss	Decelerates to stop with DC bus controlled, coast to stop	
	Cooling fin overheat	Temperature monitor and error detection	
	Stall prevention level	Stall prevention during acceleration, deceleration and constant speed	
	Ground fault	Detection at power on	
Ambient conditions	Power charge indication	On when voltage between P and N is higher than 45V	
	Degree of protection	IP20/IP00	
	Ambient humidity	90% RH or less (without condensation)	
	Storage temperature	-20 to 65°C (short-term temperature during transportation)	
	Ambient temperature	-10 to 50°C	
	Installation	Indoor (no corrosive gas, dust, etc.)	
	Installation height	Max. 1,000 m	
	Vibration	3G3RX-A□004 to A□220, 5.9 m/s ² (0.6G), 10 to 55 Hz 3G3RX-A□300 to B□13K, 2.94 m/s ² (0.3G), 10 to 55 Hz	

Dimensions

Figure 1

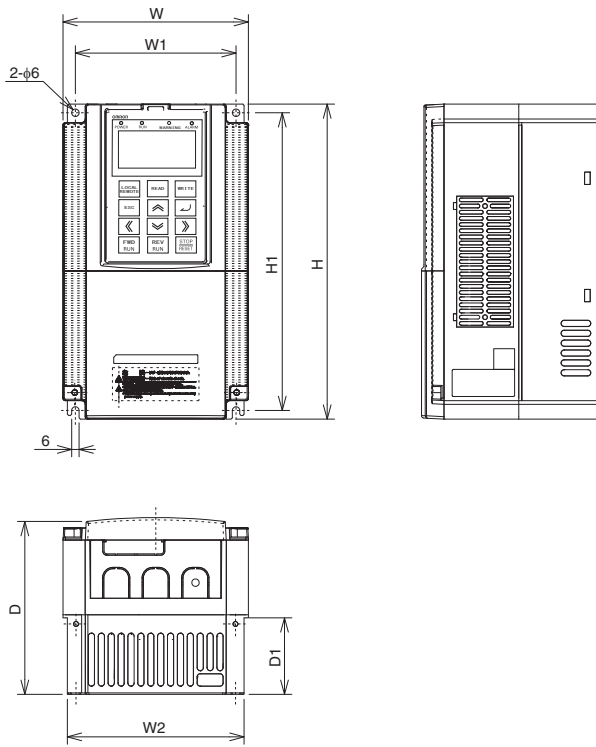


Figure 2

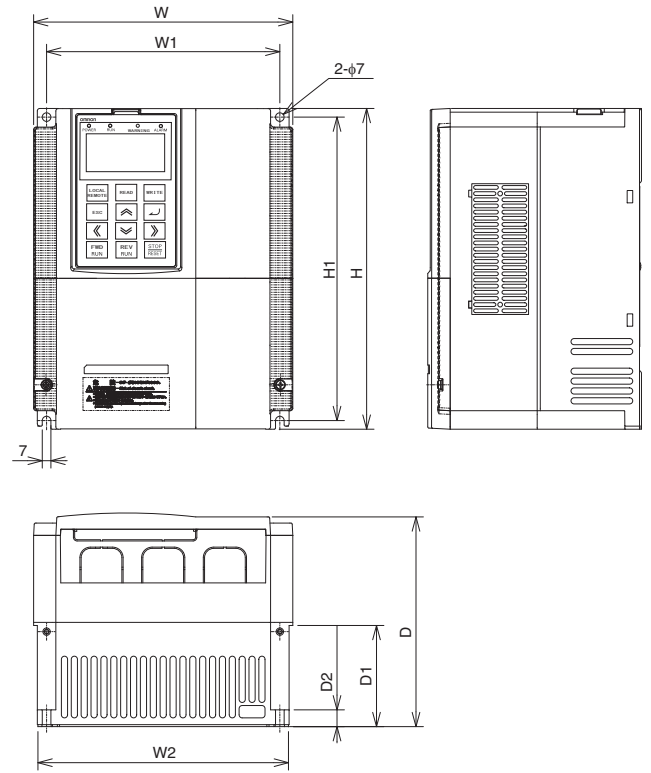


Figure 3

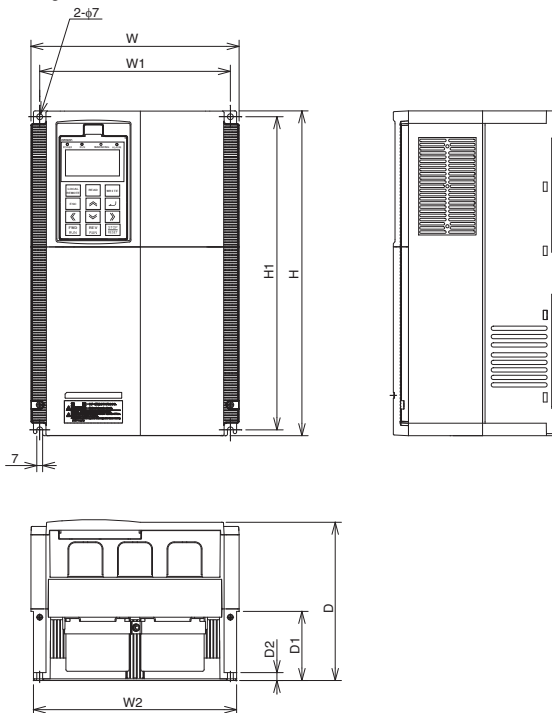


Figure 4

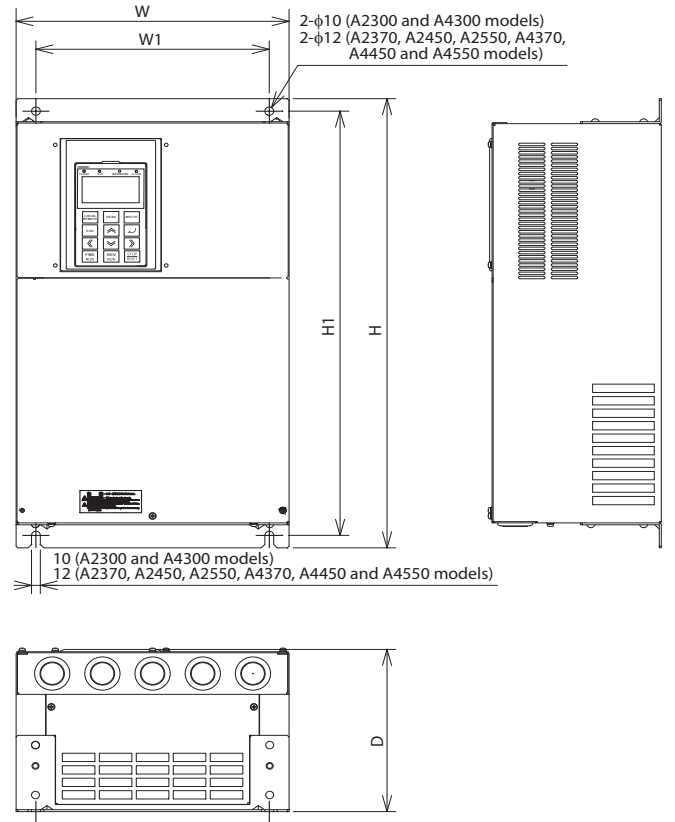
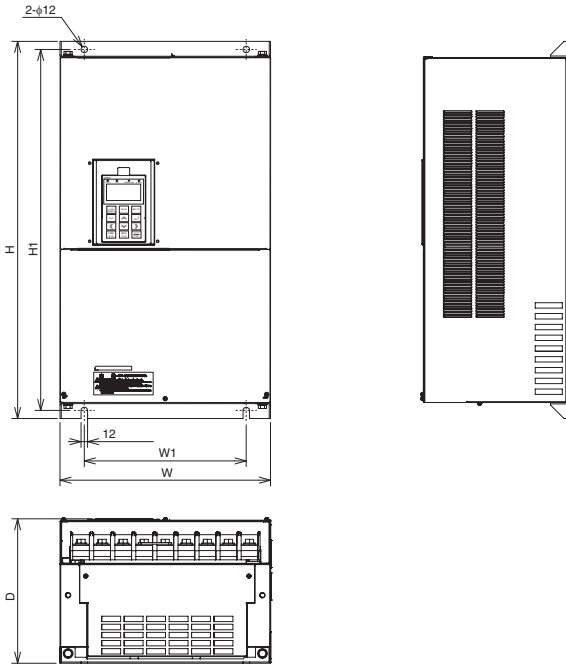


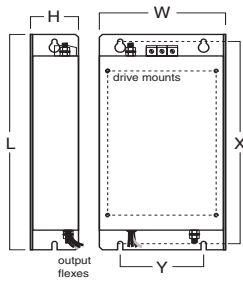
Figure 5



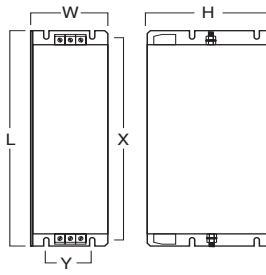
Voltage class	Inverter model 3G3RX□	Figure	Dimensions in mm								Weight (kg)
			W	W1	W2	H	H1	D	D1	D2	
Three-phase 200 V	A2004	1	150	130	143	255	241	140	62	-	3.5
	A2007										
	A2015										
	A2022										
	A2037										
	A2055	2	210	189	203	260	246	170	82	13.6	6
	A2075										
	A2110										
	A2150	3	250	229	244	390	376	190	83	9.5	14
	A2185										
	A2220										
	A2300										
A2370	4	310	265	-	540	510	195	-	-	20	
A2450											
A2550											
A2370	4	390	300	-	550	520	250	-	-	30	
A2450											
A2550											
A2550	4	480	380	-	700	670	250	-	-	43	
A2300											
A2370											
Three-phase 400 V	A4004	1	150	130	143	255	241	140	62	-	3.5
	A4007										
	A4015										
	A4022										
	A4040										
	A4055	2	210	189	203	260	246	170	82	13.6	6
	A4075										
	A4110										
	A4150	3	250	229	244	390	376	190	83	9.5	14
	A4185										
	A4220										
	A4300										
	A4300	4	310	265	-	540	510	195	-	-	22
	A4370										
	A4450										
	A4550										
B4750	5	390	300	-	700	670	270	-	-	60	
B4900											
B411K											
B413K											
B413K	5	480	380	-	740	710	270	-	-	80	
B411K											
B4900											
B4750											

Rasmi filters

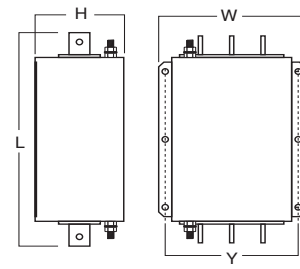
Footprint dimensions



Book type dimensions

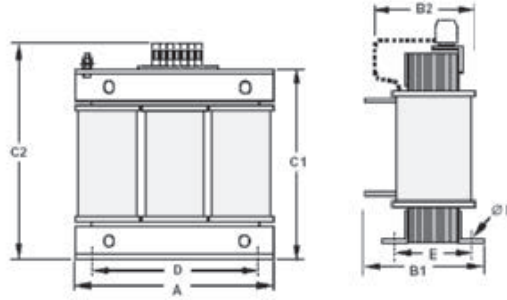


Block type dimensions



Voltage	Inverter model	Rasmi model	Dimensions						Filter type	Weight (kg)
			L	W	H	X	Y	M		
3 × 200 V	3G3RX-A2004	AX-FIR2018-RE	305	152	45	290	110	M5	Footprint	2.0
	3G3RX-A2007									
	3G3RX-A2015									
	3G3RX-A2022									
	3G3RX-A2037									
	3G3RX-A2055	AX-FIR2053-RE	320	212	56	296	189	M6	Footprint	2.5
	3G3RX-A2075									
	3G3RX-A2110									
	3G3RX-A2150	AX-FIR2110-RE	455	110	240	414	80	-	Book type	8.0
	3G3RX-A2185									
	3G3RX-A2220									
	3G3RX-A2300	AX-FIR2145-RE	386	260	135	240	235	-	Block type	13
	3G3RX-A2370									
	3G3RX-A2450									
3G3RX-A2550	AX-FIR3320-RE	386	260	135	240	235	-	Block type	13.2	
3G3RX-A4004										
3 × 400 V	3G3RX-A4007	AX-FIR3010-RE	305	152	45	290	110	M5	Footprint	1.4
	3G3RX-A4015									
	3G3RX-A4022									
	3G3RX-A4040									
	3G3RX-A4055									
	3G3RX-A4075	AX-FIR3030-RE	312	212	50	296	189	M6	Footprint	2.2
	3G3RX-A4110									
	3G3RX-A4150									
	3G3RX-A4185	AX-FIR3053-RE	451	252	60	435	229	M6	Footprint	4.5
	3G3RX-A4220									
	3G3RX-A4300									
	3G3RX-A4370	AX-FIR3064-RE	598	310	70	578	265	M8	Footprint	7.0
	3G3RX-A4450									
	3G3RX-A4550	AX-FIR3100-RE	486	110	240	414	80	-	Book type	8.0
	3G3RX-A44370									
	3G3RX-A4450									
	3G3RX-B4750	AX-FIR3130-RE	486	110	240	414	80	-	Book type	8.6
	3G3RX-B4900									
3G3RX-B411K	AX-FIR3250-RE	386	260	135	240	235	-	Block type	13.0	
3G3RX-B413K										
	AX-FIR3320-RE	386	260	135	240	235	-	Block type	13.2	
3G3RX-B413K										

Input AC Reactor



Voltage	Reference	Dimensions								Weight (kg)			
		A	B1	B2	C1	C2	D	E	F				
200 V	AX-RAI02800080-DE	120	-	70	-	120	80	52	5.5	1.78			
	AX-RAI00880200-DE			80				62			2.35		
	AX-RAI00350335-DE	180		85		-	190	140	55	6	5.5		
	AX-RAI00180670-DE			105			205		6.5				
	AX-RAI00091000-DE			120			-		150		-	85	11.7
	AX-RAI00071550-DE						-		-		-	-	-
AX-RAI00042300-DE	-	-	-	-	-	-	-						
400 V	AX-RAI07700050-DE	120	-	70	-	120	80	52	5.5	1.78			
	AX-RAI03500100-DE			80				62			2.35		
	AX-RAI01300170-DE	180		75		-	195	140	55	6	5.5		
	AX-RAI00740335-DE			85			190		6.5				
	AX-RAI00360500-DE			105			205		11.2				
	AX-RAI00290780-DE			110			275		16.0				
	AX-RAI00191150-DE	240		110		-	275	200	75	6	16.0		
	AX-RAI00111850-DE			180			-		210		-	110	25.4
	AX-RAI00072700-DE			-			-		-		-	-	-

DC reactor

Figure 1

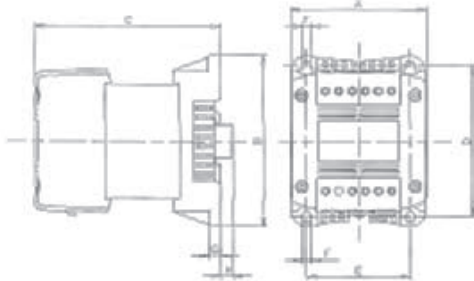
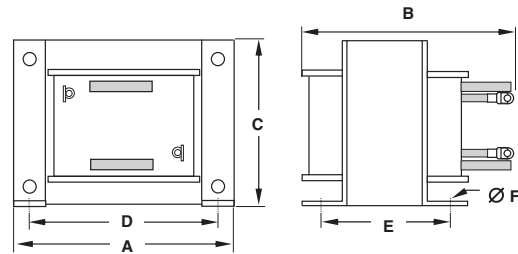
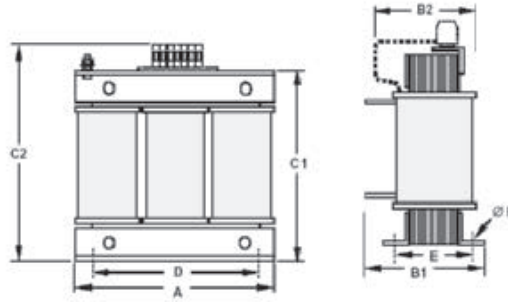


Figure 2



200 V											400 V												
Reference AX-RC	Fig	Dimensions								kg	Reference AX-RC	Fig	Dimensions								kg		
		A	B	C	D	E	F	G	H				A	B	C	D	E	F	G	H			
10700032-DE	1	84	113	96	101	66	5	7.5	2	1.22	43000020-DE	1	84	113	96	101	66	5	7.5	2	1.22		
06750061-DE				105						1.60					27000030-DE						105	1.60	
03510093-DE				116						1.95					14000047-DE						116	1.95	
02510138-DE		108	135	124	120	82	6.5	9.5	9.5	3.20	06400116-DE		108	135	133	120	82	6.5	9.5	9.5	3.70		
01600223-DE				136						5.20	04410167-DE				136						5.20		
01110309-DE				146						6.00	03350219-DE				146						6.00		
00840437-DE				160						11.4	02330307-DE				160						11.4		
00590614-DE		150	177	183	160	115	7	2	-	14.3	01750430-DE		150	177	183	160	115	7	2	-	14.3		
00440859-DE				17.0						01200644-DE	17.0												
00301275-DE				25.5						00920797-DE	25.5												
00231662-DE	2	195	161	163	185	88	10	-	-	17.0	01200644-DE	2	195	161	163	185	88	10	-	-	17.0		
00192015-DE										123	25.5										00920797-DE	123	25.5
00162500-DE										109	34.0										00741042-DE	109	34.0
00133057-DE		240	198	200	228	119	12	-	-	38.0	00611236-DE		240	198	200	228	119	12	-	-	38.0		
00501529-DE										42.0	00501529-DE										42.0		
00372094-DE										48.0	00372094-DE										48.0		
00312446-DE										49.0	00312446-DE										49.0		
00252981-DE	300	245	256	250	160	-	-	-	52.5	00252981-DE	300	245	256	250	160	-	-	-	52.5				
00213613-DE									79.0	00213613-DE									79.0				

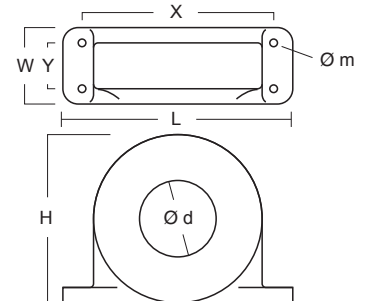
Output AC reactor



Reference	Dimensions								Weight kg
	A	B1	B2	C1	C2	D	E	F	
AX-RAO11500026-DE	120	-	70	-	120	80	52	5.5	1.78
AX-RAO07600042-DE	120	-	70	-	120	80	52	5.5	1.78
AX-RAO04100075-DE	120	-	80	-	120	80	62	5.5	2.35
AX-RAO03000105-DE	120	-	80	-	120	80	62	5.5	2.35
AX-RAO01830160-DE	180	-	85	-	190	140	55	6	5.5
AX-RAO01150220-DE	180	-	85	-	190	140	55	6	5.5
AX-RAO00950320-DE	180	-	85	-	205	140	55	6	6.5
AX-RAO00630430-DE	180	-	95	-	205	140	65	6	9.1
AX-RAO00490640-DE	180	-	95	-	205	140	65	6	9.1
AX-RAO00390800-DE	240	-	110	-	275	200	75	6	16.0
AX-RAO00330950-DE	240	-	110	-	275	200	75	6	16.0
AX-RAO00251210-DE	240	-	110	-	275	200	75	6	16.0
AX-RAO00191450-DE	240	-	120	-	275	200	85	6	18.6
AX-RAO00161820-DE	240	-	150	-	275	200	110	6	27.0
AX-RAO00132200-DE	300	-	145	-	320	200	125	6	33.5
AX-RAO16300038-DE	120	-	80	-	120	80	62	5.5	2.35
AX-RAO11800053-DE	120	-	80	-	120	80	62	5.5	2.35
AX-RAO07300080-DE	180	-	85	-	190	140	55	6	5.5
AX-RAO04600110-DE	180	-	85	-	190	140	55	6	5.5
AX-RAO03600160-DE	180	-	85	-	205	140	55	6	6.5
AX-RAO02500220-DE	180	-	95	-	205	140	65	6	9.1
AX-RAO02000320-DE	240	-	110	-	275	200	75	6	16.0
AX-RAO01650400-DE	240	-	110	-	275	200	75	6	16.0
AX-RAO01300480-DE	240	-	110	-	275	200	75	6	16.0
AX-RAO01030580-DE	240	-	110	-	275	200	75	6	16.0
AX-RAO00800750-DE	240	-	120	-	275	200	85	6	18.6
AX-RAO00680900-DE	240	-	150	-	275	200	110	6	27.0
AX-RAO00531100-DE	300	-	125	-	330	200	105	6	27.9
AX-RAO00401490-DE	300	-	165	-	330	200	125	6	44.0
AX-RAO00331760-DE	300	-	165	-	330	200	125	6	44.0
AX-RAO00262170-DE	360	230	-	315	-	300	150	8	55.0
AX-RAO00212600-DE	420	255	-	360	-	300	145	8	102.0

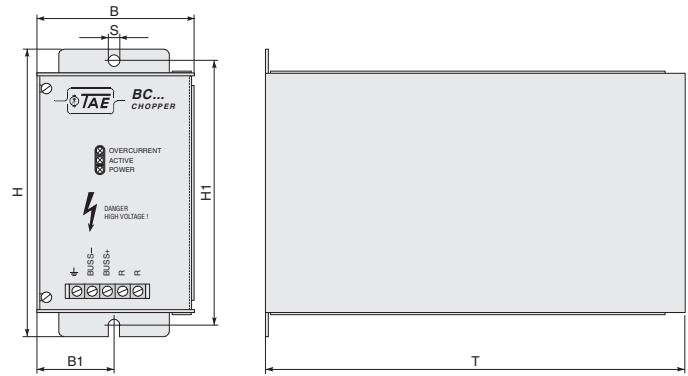
Chokes

Reference	D diameter	Motor kW	Dimensions							Weight kg
			L	W	H	X	Y	m		
AX-FER2102-RE	21	<2.2	85	22	46	70	-	5	0.1	
AX-FER2515-RE	25	<15	105	25	62	90	-	5	0.2	
AX-FER5045-RE	50	<45	150	50	110	125	30	5	0.7	
AX-FER6055-RE	60	≥55	200	65	170	180	45	6	1.7	



Braking unit dimensions

Reference	Dimensions					
	B	B1	H	H1	T	S
AX-BCR4015045-TE	82.5	40.5	150	138	220	6
AX-BCR4017068-TE						
AX-BCR2035090-TE	130	64.5	205	193	208	6
AX-BCR2070130-TE						
AX-BCR4035090-TE						
AX-BCR4070130-TE	131	64.5	298	280	300	9
AX-BCR4090240-TE						



Resistor dimensions

AX-REM00K1xxx

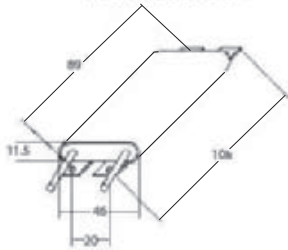


Fig 3

Fig 1

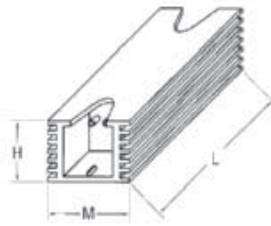


Fig 4

Fig 2

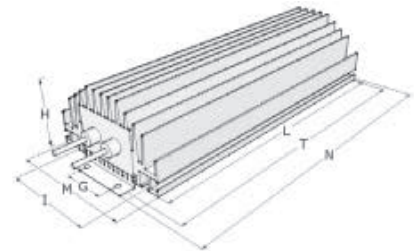
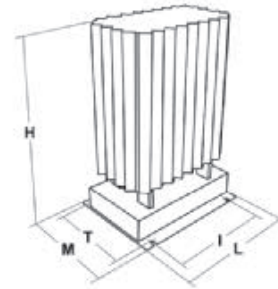
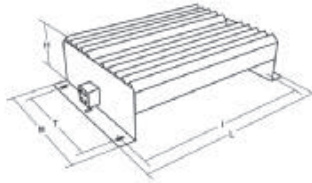
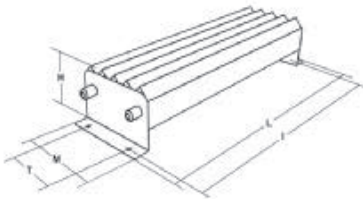
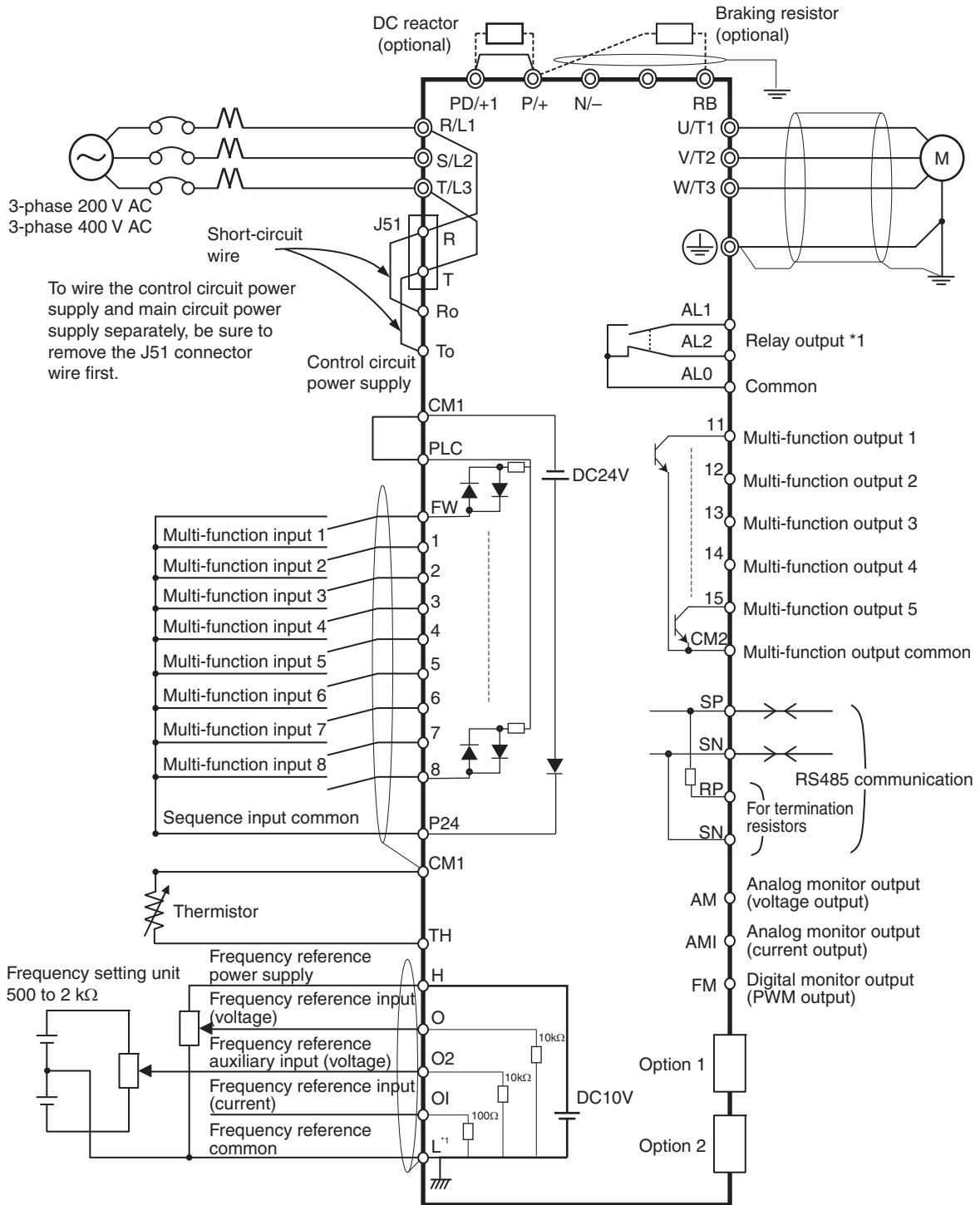


Fig 5



Type	Fig.	Dimensions							Weight kg
		L	H	M	I	T	G	N	
AX-REM00K2070-IE	1	105	27	36	94	-	-	-	0.2
AX-REM00K2120-IE									
AX-REM00K2200-IE									
AX-REM00K4075-IE									
AX-REM00K4035-IE	2	200	62	100	74	211	40	230	1.41
AX-REM00K4030-IE									
AX-REM00K5120-IE									
AX-REM00K6100-IE	3	365	73	105	350	70	-	-	4
AX-REM00K6035-IE									
AX-REM00K9070-IE									
AX-REM00K9020-IE	4	310	100	240	295	210	-	-	7
AX-REM01K9017-IE									
AX-REM02K1017-IE									
AX-REM03K5035-IE	5	365	100	240	350	210	-	-	8
AX-REM03K5010-IE									
AX-REM19K0006-IE									
AX-REM19K0008-IE	5	206	350	140	190	50	-	-	8.1
AX-REM19K0020-IE									
AX-REM19K0030-IE									
AX-REM38K0012-IE	5	306	350	140	290	50	-	-	14.5

Standard connections



*1 L is the common reference for analog input and also for analog output.

Terminal block specifications

Terminal	Name	Function (signal level)
R/L1, S/L2, T/L3	Main circuit power supply input	Used to connect line power to the drive.
U/T1, V/T2, W/T3	Inverter output	Used to connect the motor
PD/+1, P/+	External DC reactor terminal	Normally connected by the short-circuit bar. Remove the short-circuit bar between +1 and P/+2 when a DC reactor is connected.
P/+, RB	Braking resistor connection terminals	Connect option braking resistor (if a braking torque is required)
P/+, N/-	Regenerative braking unit connection terminal	Connect optional regenerative braking units.
⊕	Grounding	For grounding (grounding should conform to the local grounding code.)

Control circuit

Type	No.	Signal name	Function	Signal level
Frequency reference input	H	Frequency reference power supply	10 VDC 20 mA max	
	O	Voltage frequency reference input	0 to 12 VDC (10 kΩ)	
	O2	Voltage auxiliary frequency reference	0 to ±12 VDC (10 kΩ)	
	OI	Current frequency reference input	4 to 20 mA (100 Ω)	
	L	Frequency reference common	Common terminal for analog monitor (AM, AMI) terminals	
Monitor output	AM	Multi-function analog voltage output	Factory setting: Output frequency	2 mA max
	AMI	Multi-function analog current output	Factory setting: Output frequency	4 to 20 mA (max imp 250 Ω)
	FM	PWM monitor output	Factory setting: Output frequency	0 to 10 VDC max 3.6 kHz
Power supply	P24	Internal 24 VDC	Power supply for contact input signal	100 mA max
	CM1	Input common	Common terminal for P24, TH and FM digital monitor	
Function selection	FW	Forward rotation command terminal	Motor runs in forwards direction when FW is ON	
	1	Multi-function input	Factory setting: Reverse (RV)	
	2		Factory setting: External trip (EXT)	
	3		Factory setting: Reset (RS)	
	4		Factory setting: Multi-step speed reference 1 (CF1)	
	5		Factory setting: Multi-step speed reference 2 (CF2)	
	6		Factory setting: Jogging (JG)	
	7		Factory setting: Second control (SET)	
	8		Factory setting: No allocation (NO)	
PLC	Multi-function input common	Sink logic: Short-circuiting P24 and PLC Source logic: Short-circuiting PLC and CM1 With external supply remove short-circuit bar		
Status/Factor	11	Multi-function output	Factory setting: During Run (RUN)	
	12		Factory setting: 0 Hz signal (ZS)	
	13		Factory setting: Overload warning (OL)	
	14		Factory setting: Overtorque (OTQ)	
	15		Factory setting: Constant speed arrival (FA1)	
	CM2	Multi-function output common	Common terminal for multi-function output terminals 11 to 15	
Relay output	AL1	Relay output (Normally close)	Factory setting: Alarm output (AL)	R load AL1-AL0 250 VAC 2 A AL2-AL0 250 VAC 1 A I load 250 VAC 0.2 A
	AL2	Relay output (Normally open)		
	AL0	Relay output common	Under normal operation MA-MC open MB-MC close	
Sensor	TH	External thermistor input terminal	SC terminal functions as the common terminal 100 mΩ minimum Impedance at temperature error: 3 kΩ	0 to 8 VDC
Comms	SP	RS485 Modbus terminals	-	Differential input
	SN			
	RP	RS485 terminating resistor terminals	-	-
	SN			

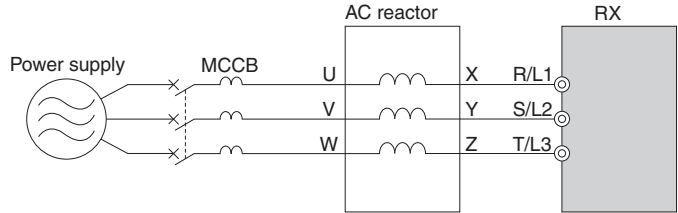
Inverter heat loss
Three-phase 200 V class

Model 3G3RX-	A2004	A2007	A2015	A2022	A2037	A2055	A2075	A2110	A2150	A2185	A2220	A2300	A2370	A2450	A2550	
Inverter capacity kVA	200 V	1.0	1.7	2.5	3.6	5.7	8.3	11.0	15.9	22.1	26.3	32.9	41.9	50.2	63.0	76.2
	240 V	1.2	2.0	3.1	4.3	6.8	9.9	13.3	19.1	26.6	31.5	39.4	50.2	60.2	75.6	91.4
Rated current (A)	3.0	5.0	7.5	10.5	16.5	24	32	46	64	76	95	121	145	182	220	
Heat loss W	Losses at 70% load	64	76	102	127	179	242	312	435	575	698	820	1,100	1,345	1,625	1,975
	Losses at 100% load	70	88	125	160	235	325	425	600	800	975	1,150	1,550	1,900	2,300	2,800
Efficiency at rated output	85.1	89.5	92.3	93.2	94.0	94.4	94.6	94.8	94.9	95.0	95.0	95.0	95.1	95.1	95.1	
Cooling Method	Forced-air-cooling															

Three-phase 400 V class

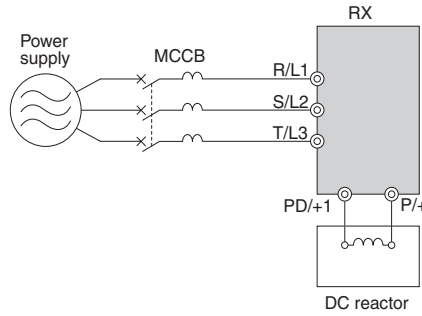
Model 3G3RX-	A4004	A4007	A4015	A4022	A4040	A4055	A4075	A4110	A4150	A4185	A4220	A4300	A4370	A4450	A4550	B4750	B4900	B411K	B413K	
Inverter capacity kVA	400 V	1.0	1.7	2.5	3.6	6.2	9.7	13.1	17.3	22.1	26.3	33.2	40.1	51.9	63.0	77.6	103.2	121.9	150.3	180.1
	480 V	1.2	2.0	3.1	4.3	7.4	11.6	15.8	20.7	26.6	31.5	39.9	48.2	62.3	75.6	93.1	123.8	146.3	180.4	216.1
Rated current (A)	1.5	2.5	3.8	5.3	9.0	14	19	25	32	38	48	58	75	91	112	149	176	217	260	
Heat loss W	Losses at 70% load	64	76	102	127	179	242	312	435	575	698	820	1,100	1,345	1,625	1,975	2,675	3,375	3,900	4,670
	Losses at 100% load	70	88	125	160	235	325	425	600	800	975	1,150	1,550	1,900	2,300	2,800	3,800	4,800	5,550	6,650
Efficiency at rated output	85.1	89.5	92.3	93.2	94.0	64.4	94.6	94.8	94.9	95.0	95.0	95.0	95.1	95.1	95.1	95.2	95.2	95.2	95.2	
Cooling Method	Forced-air-cooling																			

Input AC Reactor



3 phase 200 V class				400 V class			
Max. applicable motor output kW	Reference	Current value A	Inductance mH	Max. applicable motor output kW	Reference	Current value A	Inductance mH
0.4 to 1.5	AX-RAI02800080-DE	8.0	2.8	0.4 to 1.5	AX-RAI07700050-DE	5.0	7.7
2.2 to 3.7	AX-RAI00880200-DE	20.0	0.88	2.2 to 4.0	AX-RAI03500100-DE	10.0	3.5
5.5 to 7.5	AX-RAI00350335-DE	33.5	0.35	5.5 to 7.5	AX-RAI01300170-DE	17.0	1.3
11.0 to 15.0	AX-RAI00180670-DE	67.0	0.18	11.0 to 15.0	AX-RAI00740335-DE	33.5	0.74
18.5 to 22.0	AX-RAI00091000-DE	100.0	0.09	18.5 to 22.0	AX-RAI00360500-DE	50.0	0.36
30.0 to 37.0	AX-RAI00071550-DE	155.0	0.07	30.0 to 37.0	AX-RAI00290780-DE	78.0	0.29
45.0 to 55.0	AX-RAI00042300-DE	230.0	0.04	45.0 to 55.0	AX-RAI00191150-DE	115.0	0.19
				75.0 to 90.0	AX-RAI00111850-DE	185.0	0.11
				110.0 to 132.0	AX-RAI00072700-DE	270.0	0.07

DC Reactor



200 V class				400 V class			
Max. applicable motor output kW	Reference	Current value A	Inductance mH	Max. applicable motor output kW	Reference	Current value A	Inductance mH
0.4	AX-RC10700032-DE	3.2	10.70	0.4	AX-RC43000020-DE	2.0	43.00
0.7	AX-RC06750061-DE	6.1	6.75	0.7	AX-RC27000030-DE	3.0	27.00
1.5	AX-RC03510093-DE	9.3	3.51	1.5	AX-RC14000047-DE	4.7	14.00
2.2	AX-RC02510138-DE	13.8	2.51	2.2	AX-RC10100069-DE	6.9	10.10
3.7	AX-RC01600223-DE	22.3	1.60	4.0	AX-RC06400116-DE	11.6	6.40
5.5	AX-RC01110309-DE	30.9	1.11	5.5	AX-RC04410167-DE	16.7	4.41
7.5	AX-RC00840437-DE	43.7	0.84	7.5	AX-RC03350219-DE	21.9	3.35
11.0	AX-RC00590614-DE	61.4	0.59	11.0	AX-RC02330307-DE	30.7	2.33
15.0	AX-RC00440859-DE	85.9	0.44	15.0	AX-RC01750430-DE	43.0	1.75
18.5 to 22	AX-RC00301275-DE	127.5	0.30	18.5 to 22	AX-RC01200644-DE	64.4	1.20
30	AX-RC00231662-DE	166.2	0.23	30	AX-RC00920797-DE	79.7	0.92
37	AX-RC00192015-DE	201.5	0.19	37	AX-RC00741042-DE	104.2	0.74
45	AX-RC00162500-DE	250.0	0.16	45	AX-RC00611236-DE	123.6	0.61
55	AX-RC00133057-DE	305.7	0.13	55	AX-RC00501529-DE	152.9	0.50
				75	AX-RC00372094-DE	209.4	0.37
				90	AX-RC00312446-DE	244.6	0.31
				110	AX-RC00252981-DE	298.1	0.25
				132	AX-RC00213613-DE	361.3	0.21

Output AC Reactor

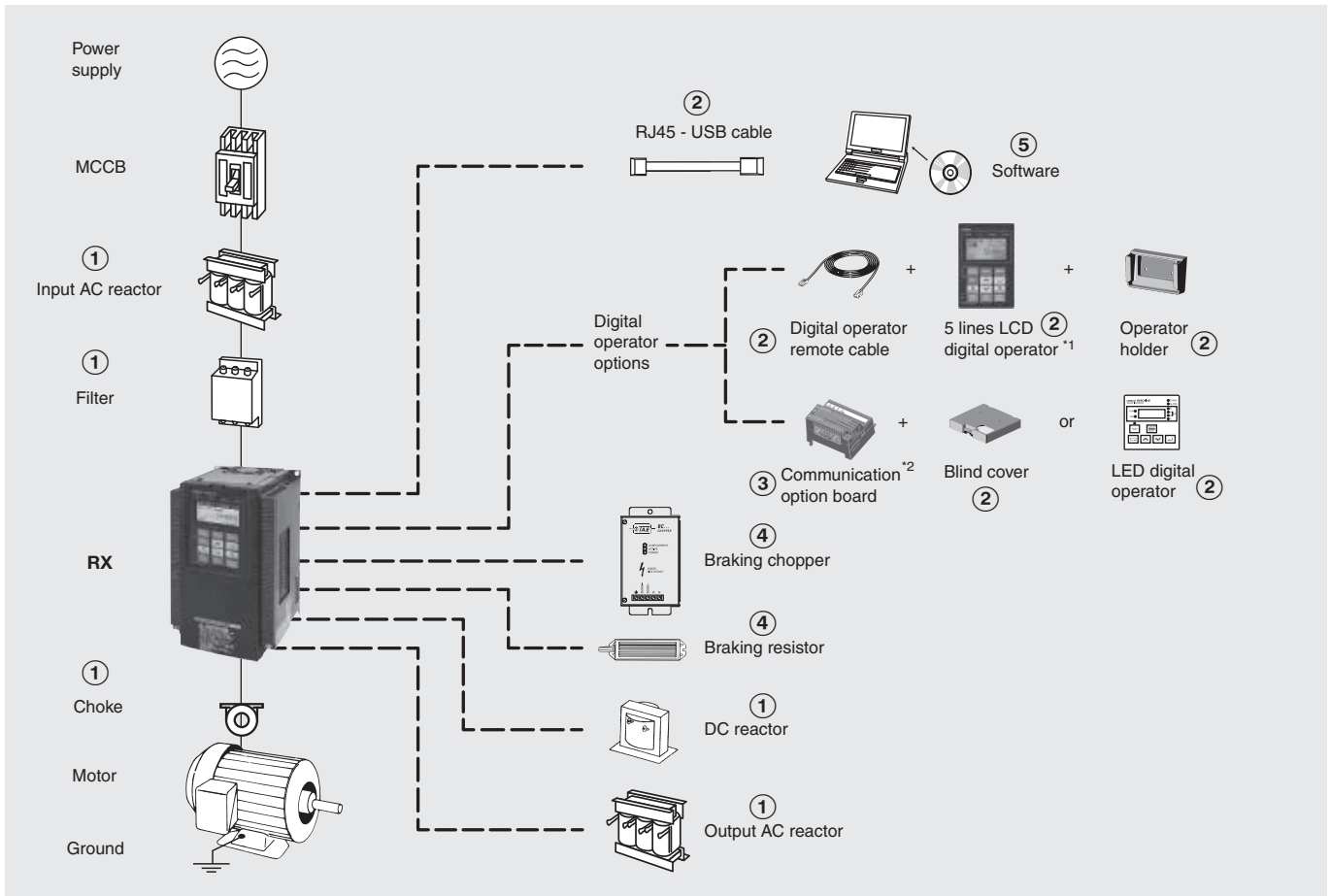
200 V class				400 V class			
Max. applicable motor output kW ^{*1}	Reference	Current value A	Inductance mH	Max. applicable motor output kW ^{*1}	Reference	Current value A	Inductance mH
0.4	AX-RAO11500026-DE	2.6	11.50	0.4 to 1.5	AX-RAO16300038-DE	3.8	16.30
0.75	AX-RAO07600042-DE	4.2	7.60				
1.5	AX-RAO04100075-DE	7.5	4.10				
2.2	AX-RAO03000105-DE	10.5	3.00	2.2	AX-RAO11800053-DE	5.3	11.80
3.7	AX-RAO01830160-DE	16.0	1.83	4.0	AX-RAO07300080-DE	8.0	7.30
5.5	AX-RAO01150220-DE	22.0	1.15	5.5	AX-RAO04600110-DE	11.0	4.60
7.5	AX-RAO00950320-DE	32.0	0.95	7.5	AX-RAO03600160-DE	16.0	3.60
11	AX-RAO00630430-DE	43.0	0.63	11	AX-RAO02500220-DE	22.0	2.50
15	AX-RAO00490640-DE	64.0	0.49	15	AX-RAO02000320-DE	32.0	2.00
18.5	AX-RAO00390800-DE	80.0	0.39	18.5	AX-RAO01650400-DE	40.0	1.65
22	AX-RAO00330950-DE	95.0	0.33	22	AX-RAO01300480-DE	48.0	1.30
30	AX-RAO00251210-DE	121.0	0.25	30	AX-RAO01030580-DE	58.0	1.03
37	AX-RAO00191450-DE	145.0	0.19	37	AX-RAO00800750-DE	75.0	0.80
45	AX-RAO00161820-DE	182.0	0.16	45	AX-RAO00680900-DE	90.0	0.68
55	AX-RAO00132200-DE	220.0	0.13	55	AX-RAO00531100-DE	110.0	0.53
				75	AX-RAO00401490-DE	149.0	0.40
				90	AX-RAO00331760-DE	176.0	0.33
				110	AX-RAO00262170-DE	217.0	0.26
				132	AX-RAO00212600-DE	260.0	0.21

^{*1} The motor sizes are for heavy duty applications

Braking Unit

Voltage	Reference	Specifications				Minimum connectable resistor (Ohms)
		Permanent		Peak (5s max)		
		Current (A)	Brake power (kVA)	Current (A)	Brake power (kVA)	
200 V	AX-BCR2035090-TE	35	13	90	32	4
	AX-BCR2070130-TE	70	25	130	47	2.8
400 V	AX-BCR4015045-TE	15	11	45	33	16
	AX-BCR4017068-TE	17	13	68	51	11
	AX-BCR4035090-TE	35	26	90	67	8.5
	AX-BCR4070130-TE	70	52	130	97	5.5
	AX-BCR4090240-TE	90	67	240	180	3.2

Ordering information



*1 The 5 lines LCD digital operator is provided with the inverter from factory.

*2 When a communication option board is mounted, there are two options: mount a blind cover or a LED digital operator.

3G3RX

Voltage class	Specifications				Model	Voltage class	Specifications				Model		
	Constant torque		Variable torque				Standard	Constant torque		Variable torque		Standard	
	Max motor kW	Rated current A	Max motor kW	Rated current A				Max motor kW	Rated current A	Max motor kW			Rated current A
Three-phase 200 V	0.4	3.0	0.75	3.7	3G3RX-A2004-E1F	Three-phase 400 V	0.4	1.5	0.75	1.9	3G3RX-A4004-E1F		
	0.75	5.0	1.5	6.3	3G3RX-A2007-E1F		0.75	2.5	1.5	3.1	3G3RX-A4007-E1F		
	1.5	7.5	2.2	9.4	3G3RX-A2015-E1F		1.5	3.8	2.2	4.8	3G3RX-A4015-E1F		
	2.2	10.5	4.0	12	3G3RX-A2022-E1F		2.2	5.3	4.0	6.7	3G3RX-A4022-E1F		
	4.0	16.5	5.5	19.6	3G3RX-A2037-E1F		4.0	9.0	5.5	11.1	3G3RX-A4040-E1F		
	5.5	24	7.5	30	3G3RX-A2055-E1F		5.5	14	7.5	16	3G3RX-A4055-E1F		
	7.5	32	11	44	3G3RX-A2075-E1F		7.5	19	11	22	3G3RX-A4075-E1F		
	11	46	15	58	3G3RX-A2110-E1F		11	25	15	29	3G3RX-A4110-E1F		
	15	64	18.5	73	3G3RX-A2150-E1F		15	32	18.5	37	3G3RX-A4150-E1F		
	18.5	76	22	85	3G3RX-A2185-E1F		18.5	38	22	43	3G3RX-A4185-E1F		
	22	95	30	113	3G3RX-A2220-E1F		22	48	30	57	3G3RX-A4220-E1F		
	30	121	37	140	3G3RX-A2300-E1F		30	58	37	70	3G3RX-A4300-E1F		
	37	145	45	169	3G3RX-A2370-E1F		37	75	45	85	3G3RX-A4370-E1F		
	45	182	55	210	3G3RX-A2450-E1F		45	91	55	105	3G3RX-A4450-E1F		
55	220	75	270	3G3RX-A2550-E1F	55	112	75	135	3G3RX-A4550-E1F				
					75	149	90	160	3G3RX-B4750-E1F				
					90	176	110	195	3G3RX-B4900-E1F				
					110	217	132	230	3G3RX-B411K-E1F				
					132	260	160	290	3G3RX-B413K-E1F				

① Line filters

Rasmi line filter									
200V					400V				
Model 3G3RX-□	Reference	Rated current (A)	Leakage Nom/Max	kg	Model 3G3RX-□	Reference	Rated current (A)	Leakage Nom/Max	kg
A2004/A2007/A2015/A2022/A2037	AX-FIR2018-RE	18	0.7/40 mA	2.0	A4004/A4007/A4015/A4022/A4040	AX-FIR3010-RE	10	0.3/40 mA	1.9
A2055/A2075/A2110	AX-FIR2053-RE	53	0.7/40 mA	2.5	A4055/A4075/A4110	AX-FIR3030-RE	30	0.3/40 mA	2.2
A2150/A2185/A2220	AX-FIR2110-RE	110	1.2/70 mA	8.0	A4150/A4185/A4220	AX-FIR3053-RE	53	0.8/70 mA	4.5
A2300	AX-FIR2145-RE	145	1.2/70 mA	8.6	A4300	AX-FIR3064-RE	64	3/160 mA	7.0
A2370/A2450	AX-FIR3250-RE	250	6/300 mA	13.0	A4370	AX-FIR3100-RE	100	2/130 mA	8.0
A2550	AX-FIR3320-RE	320	6/300 mA	13.2	A4450/A4550	AX-FIR3130-RE	130	2/130 mA	8.6
-					A4750/A4900	AX-FIR3250-RE	250	10/500 mA	13.0
					A411K/A413K	AX-FIR3320-RE	320	10/500 mA	13.2

① Input AC Reactors

Voltage			
3-phase 200 VAC		3-phase 400 VAC	
Inverter model 3G3RX-□	AC reactor reference	Inverter model 3G3RX-□	AC reactor reference
A2004/A2007/A2015	AX-RAI02800100-DE	A4004/A4007/A4015	AX-RAI07700050-DE
A2022/A2037	AX-RAI00880200-DE	A4022/A4040	AX-RAI03500100-DE
A2055/A2075	AX-RAI00350335-DE	A4055/A4075	AX-RAI01300170-DE
A2110/A2150	AX-RAI00180670-DE	A4110/A4150	AX-RAI00740335-DE
A2185/A2220	AX-RAI00091000-DE	A4185/A4220	AX-RAI00360500-DE
A2300/A2370	AX-RAI00071550-DE	A4300/A4370	AX-RAI00290780-DE
A2450/A2550	AX-RAI00042300-DE	A4450/A4550	AX-RAI00191150-DE
-		A4750/A4900	AX-RAI00111850-DE
		A411K/A413K	AX-RAI00072700-DE

① DC Reactors

Voltage			
3-phase 200 VAC		3-phase 400 VAC	
Inverter model 3G3RX-□	AC reactor reference	Inverter model 3G3RX-□	AC reactor reference
A2004	AX-RC10700032-DE	A4004	AX-RC43000020-DE
A2007	AX-RC06750061-DE	A4007	AX-RC27000030-DE
A2015	AX-RC03510093-DE	A4015	AX-RC14000047-DE
A2022	AX-RC02510138-DE	A4022	AX-RC10100069-DE
A2037	AX-RC01600223-DE	A4040	AX-RC06400116-DE
A2055	AX-RC01110309-DE	A4055	AX-RC04410167-DE
A2075	AX-RC00840437-DE	A4075	AX-RC03350219-DE
A2110	AX-RC00590614-DE	A4110	AX-RC02330307-DE
A2150	AX-RC00440859-DE	A4150	AX-RC01750430-DE
A2185/A2220	AX-RC00301275-DE	A4185/A4220	AX-RC01200644-DE
A2300	AX-RC00231662-DE	A4300	AX-RC00920797-DE
A2370	AX-RC00192015-DE	A4370	AX-RC00741042-DE
A2450	AX-RC00162500-DE	A4450	AX-RC00611236-DE
A2550	AX-RC00133057-DE	A4550	AX-RC00501529-DE
-		A4750	AX-RC00372094-DE
		A4900	AX-RC00312446-DE
		A411K	AX-RC00252981-DE
		A413K	AX-RC00213613-DE

① Chokes

Model	Diameter	Description
AX-FER2102-RE	21	For 2.2 kW motors or below
AX-FER2515-RE	25	For 15 kW motors or below
AX-FER5045-RE	50	For 45 kW motors or below
AX-FER6055-RE	60	For 55 kW motors or above






① Output AC reactor

Voltage			
200V		400V	
Model 3G3RX-□	Reference	Model 3G3RX-□	Reference
A2004	AX-RAO11500026-DE	A4004/A4007/A4015	AX-RAO16300038-DE
A2007	AX-RAO07600042-DE		
A2015	AX-RAO04100075-DE		
A2022	AX-RAO03000105-DE	A4022	AX-RAO11800053-DE
A2037	AX-RAO01830160-DE	A4040	AX-RAO07300080-DE
A2055	AX-RAO01150220-DE	A4055	AX-RAO04600110-DE

Voltage			
200V		400V	
Model 3G3RX-□	Reference	Model 3G3RX-□	Reference
A2075	AX-RAO00950320-DE	A4075	AX-RAO03600160-DE
A2110	AX-RAO00630430-DE	A4110	AX-RAO02500220-DE
A2150	AX-RAO00490640-DE	A4150	AX-RAO02000320-DE
A2185	AX-RAO00390800-DE	A4185	AX-RAO01650400-DE
A2220	AX-RAO00330950-DE	A4220	AX-RAO01300480-DE
A2300	AX-RAO00251210-DE	A4300	AX-RAO01030580-DE
A2370	AX-RAO00191450-DE	A4370	AX-RAO00800750-DE
A2450	AX-RAO00161820-DE	A4450	AX-RAO00680900-DE
A2550	AX-RAO00132200-DE	A4550	AX-RAO00531100-DE
		A4750	AX-RAO00401490-DE
		A4900	AX-RAO00331760-DE
		A411K	AX-RAO00262170-DE
		A413K	AX-RAO00212600-DE

Note: This table corresponds with HD rating. When ND is used, please choose the reactor for the next size inverter.

② Accessories

Types	Appearance	Model	Description
Remote digital operator		3G3AX-OP05	5 Line LCD digital operator with copy function ^{*1}
		3G3AX-OP05-H-E	Operator holder (for inside cabinet mounting)
		3G3AX-OP01	LED remote digital operator
		4X-KITmini	Mounting kit
LED digital operator		3G3AX-OP03	To be used in combination with communication option boards
Blind cover		3G3AX-OP05-B-E	
Cables		3G3AX-CAJOP300-EE	3 m remote digital operator cable
		USB-CONVERTERCABLE	RJ45 to USB connection cable
	-	3G3AX-PCACN2	

*1 This digital operator is provided with the RX inverter from factory.

③ Option boards

Types	Model	Description	Functions
Encoder feedback	3G3AX-PG	PG speed controller option card	Phase A,B and Z pulse (differential pulse) inputs (RS-422) Pulse train position command input (RS-422) Pulse monitor output (RS-422) PG frequency range: 100 kHz max
Communication option board	3G3AX-RX-DRT	DeviceNet option card	Used for running or stopping the inverter, setting or referencing parameters, and monitoring output frequency, output current... through communications with the host controller.
	3G3AX-RX-PRT	PROFIBUS option card	
	3G3AX-RX-ECT	EtherCAT option card	
	3G3AX-RX-CRT	CompoNet option card	
	3G3AX-RX-MRT	MECHATROLINK-II option card	
I/O option	3G3AX-EIO21-ROE	Extra input/output option card	8 digital inputs, 8 digital outputs, 4 analog inputs, 1 analog output

④ Braking unit, braking resistor unit

Inverter					Braking resistor unit								
Voltage	Max. motor kW	Inverter 3G3RX□ 3-phase	Braking Unit AX-BCR□	Connectable min. resistance Ω	Inverter mounted type (3%ED, 10 sec max)		Braking torque %	External resistor 10%ED 10 sec max for built-in 5 sec max for Braking Unit		Braking torque %			
					Type AX-	Resist Ω		Type AX-	Resist Ω				
200 V (single-/three-phase)	0.55	2004	Built-in	50	REM00K1200-IE	200	180	REM00K1200-IE	200	180			
	1.1	2007					100	REM00K2070-IE	70	200			
	1.5	2015			35	140	REM00K4075-IE	75	130				
	2.2	2022				90	REM00K4035-IE	35	180				
	4.0	2037				50	REM00K6035-IE	35	100				
	5.5	2055		16	10	75	REM00K9020-IE	20	150				
	7.5	2075				55	REM01K9017-IE	17	110				
	11.0	2110		7.5	5	40	REM00K6035-IE	35	40	REM02K1017-IE	17	75	
	15.0	2150				55	REM00K9017-IE	17	55	REM03K5010-IE	10	95	
	18.5	2185				75	REM03K5010-IE	10	75	REM19K0008-IE	8	95	
	22.0	2220	65	80									
	30.0	2300	2035090-TE	4	-				REM19K0006-IE	6	80		
	37.0	2370							6	60			
	45.0	2450	2070130-TE	2.8	-				2 × REM19K0006-IE	3	105		
	55.0	2550							3	85			
400 V (three-phase)	0.55	4004	Built-in	100	REM00K1400-IE	400	200	REM00K1400-IE	400	200			
	1.1	4007					200			190	REM00K2200-IE	200	190
	1.5	4015			70	35	200	REM00K2200-IE	200	130	REM00K5120-IE	120	200
	2.2	4022					120	120	REM00K6100-IE	100	140		
	4.0	4040					75	140	REM00K9070-IE	70	150		
	5.5	4055		24	20	100	REM00K4075-IE	75	100	REM01K9070-IE	70	110	
	7.5	4075				50	50	REM02K1070-IE	70	75			
	11.0	4110		8.5	5.5	70	REM00K6100-IE	100	55	REM03K5035-IE	35	110	
	15.0	4150				90	REM03K5035-IE	35	90	REM19K0030-IE	30	100	
	18.5	4185				75			85				
	22.0	4220	4015045-TE	16	-				REM19K0020-IE	20	95		
	30.0	4300							15	125			
	37.0	4370	4017068-TE	11	-				REM38K0012-IE	15	100		
	45.0	4450							10	100			
	55.0	4550	4035090-TE	8.5	-				2 × REM19K0020-IE	10	100		
	75.0	4750							3 × REM19K0030-IE	10	75		
	90.0	4900	4070130-TE	5.5	-				2 × REM38K0012-IE	6	105		
110.0	411K	4090240-TE	3.2	3 × REM38K0012-IE					4	125			
132.0	413K			4					105				

Computer software

Types	Model	Description	Installation
Software	CX-Drive	Computer software	Configuration and monitoring software tool
	CX-One	Computer software	Configuration and monitoring software tool
	€Saver	Computer software	Software tool for Energy Saving calculation

ALL DIMENSIONS SHOWN ARE IN MILLIMETERS.
To convert millimeters into inches, multiply by 0.03937. To convert grams into ounces, multiply by 0.03527.

OMRON EUROPE B.V. Wegalaan 67-69, NL-2132 JD, Hoofddorp, The Netherlands. Tel: +31 (0) 23 568 13 00 Fax: +31 (0) 23 568 13 88 industrial.omron.eu

Austria

Tel: +43 (0) 2236 377 800
industrial.omron.at

Belgium

Tel: +32 (0) 2 466 24 80
industrial.omron.be

Czech Republic

Tel: +420 234 602 602
industrial.omron.cz

Denmark

Tel: +45 43 44 00 11
industrial.omron.dk

Finland

Tel: +358 (0) 207 464 200
industrial.omron.fi

France

Tel: +33 (0) 1 56 63 70 00
industrial.omron.fr

Germany

Tel: +49 (0) 2173 680 00
industrial.omron.de

Hungary

Tel: +36 1 399 30 50
industrial.omron.hu

Italy

Tel: +39 02 326 81
industrial.omron.it

Netherlands

Tel: +31 (0) 23 568 11 00
industrial.omron.nl

Norway

Tel: +47 (0) 22 65 75 00
industrial.omron.no

Poland

Tel: +48 22 458 66 66
industrial.omron.pl

Portugal

Tel: +351 21 942 94 00
industrial.omron.pt

Russia

Tel: +7 495 648 94 50
industrial.omron.ru

South Africa

Tel: +27 (0)11 579 2600
industrial.omron.co.za

Spain

Tel: +34 913 777 900
industrial.omron.es

Sweden

Tel: +46 (0) 8 632 35 00
industrial.omron.se

Switzerland

Tel: +41 (0) 41 748 13 13
industrial.omron.ch

Turkey

Tel: +90 212 467 30 00
industrial.omron.com.tr

United Kingdom

Tel: +44 (0) 1908 258 258
industrial.omron.co.uk

More Omron representatives
industrial.omron.eu

Automation Systems

- Programmable logic controllers (PLC) • Human machine interfaces (HMI) • Remote I/O
- Industrial PC's • Software

Motion & Drives

- Motion controllers • Servo systems • Inverters • Robots

Control Components

- Temperature controllers • Power supplies • Timers • Counters • Programmable relays
- Digital panel indicators • Electromechanical relays • Monitoring products • Solid-state relays
- Limit switches • Pushbutton switches • Low voltage switch gear

Sensing & Safety

- Photoelectric sensors • Inductive sensors • Capacitive & pressure sensors
- Cable connectors • Displacement & width-measuring sensors • Vision systems
- Safety networks • Safety sensors • Safety units/relay units • Safety door/guard lock switches

Компания «Океан Электроники» предлагает заключение долгосрочных отношений при поставках импортных электронных компонентов на взаимовыгодных условиях!

Наши преимущества:

- Поставка оригинальных импортных электронных компонентов напрямую с производств Америки, Европы и Азии, а так же с крупнейших складов мира;
- Широкая линейка поставок активных и пассивных импортных электронных компонентов (более 30 млн. наименований);
- Поставка сложных, дефицитных, либо снятых с производства позиций;
- Оперативные сроки поставки под заказ (от 5 рабочих дней);
- Экспресс доставка в любую точку России;
- Помощь Конструкторского Отдела и консультации квалифицированных инженеров;
- Техническая поддержка проекта, помощь в подборе аналогов, поставка прототипов;
- Поставка электронных компонентов под контролем ВП;
- Система менеджмента качества сертифицирована по Международному стандарту ISO 9001;
- При необходимости вся продукция военного и аэрокосмического назначения проходит испытания и сертификацию в лаборатории (по согласованию с заказчиком);
- Поставка специализированных компонентов военного и аэрокосмического уровня качества (Xilinx, Altera, Analog Devices, Intersil, Interpoint, Microsemi, Actel, Aeroflex, Peregrine, VPT, Syfer, Eurofarad, Texas Instruments, MS Kennedy, Miteq, Cobham, E2V, MA-COM, Hittite, Mini-Circuits, General Dynamics и др.);

Компания «Океан Электроники» является официальным дистрибьютором и эксклюзивным представителем в России одного из крупнейших производителей разъемов военного и аэрокосмического назначения «JONHON», а так же официальным дистрибьютором и эксклюзивным представителем в России производителя высокотехнологичных и надежных решений для передачи СВЧ сигналов «FORSTAR».



JONHON

«JONHON» (основан в 1970 г.)

Разъемы специального, военного и аэрокосмического назначения:

(Применяются в военной, авиационной, аэрокосмической, морской, железнодорожной, горно- и нефтедобывающей отраслях промышленности)

«FORSTAR» (основан в 1998 г.)

ВЧ соединители, коаксиальные кабели, кабельные сборки и микроволновые компоненты:

(Применяются в телекоммуникациях гражданского и специального назначения, в средствах связи, РЛС, а так же военной, авиационной и аэрокосмической отраслях промышленности).



Телефон: 8 (812) 309-75-97 (многоканальный)

Факс: 8 (812) 320-03-32

Электронная почта: ocean@oceanchips.ru

Web: <http://oceanchips.ru/>

Адрес: 198099, г. Санкт-Петербург, ул. Калинина, д. 2, корп. 4, лит. А