

# MAX16838

## Integrated, 2-Channel, High-Brightness LED Driver with High-Voltage Boost and SEPIC Controller

### General Description

The MAX16838 is a dual-channel LED driver that integrates both the DC-DC switching boost regulator and two 150mA current sinks. A current-mode switching DC-DC controller provides the necessary voltage to both strings of HB LEDs. The MAX16838 accepts a wide 4.75V to 40V input voltage range and directly withstands automotive load-dump events. For a  $5V \pm 10\%$  input voltage, connect  $V_{IN}$  to  $V_{CC}$ . The wide input range allows powering HB LEDs for small-to-medium-sized LCD displays in automotive and display backlight applications.

An internal current-mode switching DC-DC controller supports the boost or SEPIC topologies and operates in an adjustable frequency range between 200kHz and 2MHz. The current-mode control provides fast response and simplifies loop compensation. The MAX16838 also features an adaptive output-voltage adjustment scheme that minimizes the power dissipation in the LED current sink paths. The MAX16838 can be combined with the MAX15054 to achieve a buck-boost LED driver with two integrated current sinks.

The channel current is adjustable from 20mA to 150mA using an external resistor. The external resistor sets both channel currents to the same value. The device allows connecting both strings in parallel to achieve a maximum current of 300mA in a single channel. The MAX16838 also features pulsed dimming control with minimum pulse widths as low as  $1\mu s$ , on both channels through a logic input (DIM).

The MAX16838 includes an output overvoltage protection, open LED, shorted LED detection and overtemperature protection. The device operates over the  $-40^{\circ}C$  to  $+125^{\circ}C$  automotive temperature range. The MAX16838 is available in the 20-pin TSSOP and 4mm x 4mm, 20-pin TQFN packages.

### Applications

Automotive Display Backlights  
 LCD Display Backlights  
 Automotive Lighting Applications

**Typical Operating Circuit and Pin Configurations appear at end of data sheet.**

### Features

- ◆ Integrated, 2-Channel, 20mA to 150mA Linear LED Current Sinks
- ◆ Boost or SEPIC Power Topologies for Maximum Flexibility
- ◆ Adaptive Voltage Optimization to Minimize Power Dissipation in Linear Current Sinks
- ◆ 4.75V to 40V or  $5V \pm 10\%$  Input Operating Voltage Range
- ◆ 5000:1 PWM Dimming at 200Hz
- ◆ Open-Drain Fault Indicator Output
- ◆ LED Open/Short Detection and Protection
- ◆ Output Overvoltage and Overtemperature Protection
- ◆ Programmable LED Current Foldback at Lower Input Voltages
- ◆ 200kHz to 2MHz Resistor Programmable Switching Frequency with External Synchronization
- ◆ Current-Mode Control Switching Stage with Internal Slope Compensation
- ◆ Enable Input
- ◆ Thermally Enhanced, 20-Pin TQFN (4mm x 4mm) and 20-Pin TSSOP Packages

### Ordering Information

PART	TEMP RANGE	PIN-PACKAGE
MAX16838ATP+	$-40^{\circ}C$ to $+125^{\circ}C$	20 TQFN-EP*
MAX16838ATP/V+	$-40^{\circ}C$ to $+125^{\circ}C$	20 TQFN-EP*
MAX16838AUP+	$-40^{\circ}C$ to $+125^{\circ}C$	20 TSSOP-EP*
MAX16838AUP/V+	$-40^{\circ}C$ to $+125^{\circ}C$	20 TSSOP-EP*

+ Denotes a lead(Pb)-free/RoHS-compliant package.

\*EP = Exposed pad.

/V denotes an automotive qualified part.

### Simplified Schematic



**For pricing, delivery, and ordering information, please contact Maxim Direct at 1-888-629-4642, or visit Maxim's website at [www.maximintegrated.com](http://www.maximintegrated.com).**

# MAX16838

## Integrated, 2-Channel, High-Brightness LED Driver with High-Voltage Boost and SEPIC Controller

### ABSOLUTE MAXIMUM RATINGS

IN, OUT_, DRAIN to SGND .....	-0.3V to +45V	OUT_ Continuous Current .....	175mA
EN to SGND .....	-0.3V to (V <sub>IN</sub> + 0.3V)	V <sub>DRV</sub> Short-Circuit Duration .....	Continuous
PGND to SGND .....	-0.3V to +0.3V	Continuous Power Dissipation (T <sub>A</sub> = +70°C)	
LEDGND to SGND .....	-0.3V to +0.3V	20-Pin TQFN (derate 25.6mW/°C above +70°C) .....	2051mW
DRV to PGND .....	-0.3V to the lower of (V <sub>IN</sub> + 0.3V) and +6V	20-Pin TSSOP (derate 26.5mW/°C above +70°C) .....	2122mW
GATE to PGND .....	-0.3V to +6V	Operating Temperature Range .....	-40°C to +125°C
NDRV to PGND .....	-0.3V to (V <sub>DRV</sub> + 0.3V)	Junction Temperature .....	+150°C
V <sub>CC</sub> , $\overline{\text{FLT}}$ , DIM, CS, OV, CFB, to SGND .....	-0.3V to +6V	Storage Temperature Range .....	-65°C to +150°C
RT, COMP, ISET to SGND .....	-0.3V to (V <sub>CC</sub> + 0.3V)	Soldering Temperature (reflow) .....	+260°C
DRAIN and CS Continuous Current .....	±2.5A		

Stresses beyond those listed under "Absolute Maximum Ratings" may cause permanent damage to the device. These are stress ratings only, and functional operation of the device at these or any other conditions beyond those indicated in the operational sections of the specifications is not implied. Exposure to absolute maximum rating conditions for extended periods may affect device reliability.

### PACKAGE THERMAL CHARACTERISTICS (Note 1)

20 TQFN	Junction-to-Ambient Thermal Resistance ( $\theta_{JA}$ ) .....	+39°C/W	20 TSSOP	Junction-to-Ambient Thermal Resistance ( $\theta_{JA}$ ) .....	+37.7°C/W
	Junction-to-Case Thermal Resistance ( $\theta_{JC}$ ) .....	+6°C/W		Junction-to-Case Thermal Resistance ( $\theta_{JC}$ ) .....	+2°C/W

**Note 1:** Package thermal resistances were obtained using the method described in JEDEC specification JESD51-7, using a four-layer board. For detailed information on package thermal considerations, refer to [www.maximintegrated.com/thermal-tutorial](http://www.maximintegrated.com/thermal-tutorial).

### ELECTRICAL CHARACTERISTICS

(V<sub>IN</sub> = V<sub>EN</sub> = 12V, R<sub>RT</sub> = 12.2k $\Omega$ , R<sub>ISET</sub> = 15k $\Omega$ , C<sub>VCC</sub> = 1 $\mu$ F, V<sub>CC</sub> = V<sub>DRV</sub> = V<sub>CFB</sub>, DRAIN, COMP, OUT\_,  $\overline{\text{FLT}}$  = unconnected, V<sub>OV</sub> = V<sub>CS</sub> = V<sub>LEDGND</sub> = V<sub>DIM</sub> = V<sub>PGND</sub> = V<sub>SGND</sub> = 0V, V<sub>GATE</sub> = V<sub>NDRV</sub>, T<sub>A</sub> = T<sub>J</sub> = -40°C to +125°C, unless otherwise noted. Typical values are at T<sub>A</sub> = 25°C.) (Note 2)

PARAMETER	SYMBOL	CONDITIONS	MIN	TYP	MAX	UNITS
Input Voltage Range	V <sub>IN</sub>	Internal LDO on	4.75		40	V
Input Voltage Range	V <sub>IN</sub>	V <sub>IN</sub> = V <sub>CC</sub>	4.55		5.5	V
Quiescent Supply Current	I <sub>Q</sub>	V <sub>DIM</sub> = 5V		3.1	5	mA
Standby Supply Current	I <sub>SH</sub>	V <sub>EN</sub> = SGND (Note 3)		15.5	40	$\mu$ A
Undervoltage Lockout	UVLO <sub>IN</sub>	V <sub>IN</sub> rising, V <sub>DIM</sub> = 5V	4	4.3	4.55	V
Undervoltage Lockout Hysteresis				177		mV
<b>DRV REGULATOR</b>						
Output Voltage	V <sub>DRV</sub>	5.75V < V <sub>IN</sub> < 10V, 0.1mA < I <sub>LOAD</sub> < 30mA	4.75	5	5.25	V
		6.5V < V <sub>IN</sub> < 40V, 0.1mA < I <sub>LOAD</sub> < 3mA				
Dropout Voltage	V <sub>DO</sub> (V <sub>IN</sub> - V <sub>DRV</sub> )	V <sub>IN</sub> = 4.75V, I <sub>OUT</sub> = 30mA		0.11	0.5	V
Short-Circuit Current Limit		DRV shorted to GND		97		mA
V <sub>CC</sub> Undervoltage Lockout Threshold	UVLO <sub>VCC</sub>	V <sub>CC</sub> rising	3.4	4.0	4.4	V
V <sub>CC</sub> (UVLO) Hysteresis				123		mV

## Integrated, 2-Channel, High-Brightness LED Driver with High-Voltage Boost and SEPIC Controller

### ELECTRICAL CHARACTERISTICS (continued)

( $V_{IN} = V_{EN} = 12V$ ,  $R_{RT} = 12.2k\Omega$ ,  $R_{SET} = 15k\Omega$ ,  $C_{VCC} = 1\mu F$ ,  $V_{CC} = V_{DRV} = V_{CFB}$ , DRAIN, COMP, OUT\_,  $\overline{FLT}$  = unconnected,  $V_{OV} = V_{CS} = V_{LEDGND} = V_{DIM} = V_{PGND} = V_{SGND} = 0V$ ,  $V_{GATE} = V_{NDRV}$ ,  $T_A = T_J = -40^\circ C$  to  $+125^\circ C$ , unless otherwise noted. Typical values are at  $T_A = 25^\circ C$ .) (Note 2)

PARAMETER	SYMBOL	CONDITIONS	MIN	TYP	MAX	UNITS
<b>RT OSCILLATOR</b>						
Switching Frequency Range	f <sub>SW</sub>		200		2000	kHz
Duty Cycle	D <sub>MAX</sub>	f <sub>SW</sub> = 200kHz	87	90	95	%
		f <sub>SW</sub> = 2000kHz	83	85	91	%
Oscillator Frequency Accuracy		f <sub>SW</sub> = 200kHz to 2MHz	-7.5		+7.5	%
Synchronization Logic-High		V <sub>RT</sub> rising	1.8		3.6	V
Synchronization Logic-Low		V <sub>RT</sub> falling		2.5		V
Logic-Level Before SYNC Capacitor			3.1		3.8	V
Synchronization Pulse Width			50			ns
SYNC Frequency Range	f <sub>SYNC</sub>		1.1 x f <sub>SW</sub>		1.5 x f <sub>SW</sub>	Hz
<b>PWM COMPARATOR</b>						
Leading-Edge Blanking				66		ns
Propagation Delay to NDRV		Including leading-edge blanking time		100		ns
<b>SLOPE COMPENSATION</b>						
Slope Compensation Peak Voltage per Cycle		Voltage ramp added to CS		0.12		V
<b>CS LIMIT COMPARATOR</b>						
CS Threshold Voltage	V <sub>CS_MAX</sub>	V <sub>COMP</sub> = 3V	285	300	315	mV
CS Limit Comparator Propagation Delay to NDRV		10mV overdrive (including leading-edge blanking time)		100		ns
CS Input Current	I <sub>CS</sub>	0 ≤ V <sub>CS</sub> ≤ 0.35V	-1.3		+0.5	μA
<b>ERROR AMPLIFIER</b>						
OUT_ Regulation Voltage		V <sub>DIM</sub> = 5V	0.9	1	1.1	V
Transconductance	G <sub>m</sub>		340	600	880	μS
No-Load Gain	A	(Note 4)		50		dB
COMP Sink Current	I <sub>SINK</sub>	V <sub>DIM</sub> = V <sub>OUT_</sub> = 5V, V <sub>COMP</sub> = 3V		400	800	μA
COMP Source Current	I <sub>SOURCE</sub>	V <sub>DIM</sub> = 5V, V <sub>OUT_</sub> = V <sub>COMP</sub> = 0V		400	800	μA
<b>MOSFET DRIVER</b>						
NDRV On-Resistance		I <sub>SINK</sub> = 100mA, V <sub>IN</sub> > 5.5V		1.5	4	Ω
		I <sub>SOURCE</sub> = 100mA, V <sub>IN</sub> > 5.5V		1.5	4	Ω
Peak Sink Current		V <sub>NDRV</sub> = 5V		0.8		A
Peak Source Current		V <sub>NDRV</sub> = 0V		0.8		A
<b>POWER MOSFET</b>						
Power Switch On-Resistance		I <sub>SWITCH</sub> = 0.5A, V <sub>GS</sub> = 5V		0.15	0.35	Ω
Switch Leakage Current		V <sub>DRAIN</sub> = 40V, V <sub>GATE</sub> = 0V		0.003	1.2	μA
Switch Gate Charge		V <sub>DRAIN</sub> = 40V, V <sub>GS</sub> = 4.5V		3.1		nC

# MAX16838

## Integrated, 2-Channel, High-Brightness LED Driver with High-Voltage Boost and SEPIC Controller

### ELECTRICAL CHARACTERISTICS (continued)

( $V_{IN} = V_{EN} = 12V$ ,  $R_{RT} = 12.2k\Omega$ ,  $R_{ISET} = 15k\Omega$ ,  $C_{VCC} = 1\mu F$ ,  $V_{CC} = V_{DRV} = V_{CFB}$ , DRAIN, COMP, OUT\_,  $\overline{FLT}$  = unconnected,  $V_{OV} = V_{CS} = V_{LEDGND} = V_{DIM} = V_{PGND} = V_{SGND} = 0V$ ,  $V_{GATE} = V_{NDRV}$ ,  $T_A = T_J = -40^\circ C$  to  $+125^\circ C$ , unless otherwise noted. Typical values are at  $T_A = 25^\circ C$ .) (Note 2)

PARAMETER	SYMBOL	CONDITIONS	MIN	TYP	MAX	UNITS	
<b>LED CURRENT SINKS</b>							
OUT_ Current Range	$I_{OUT\_}$	$V_{DIM} = 5V$ , $V_{OUT\_} = 1.0V$	20		150	mA	
LED Strings Current Matching		$I_{OUT\_} = 100mA$ , $R_{ISET} = 15k\Omega$			$\pm 2$	%	
Maximum Peak-to-Peak Boost Ripple		1% $I_{OUT\_}$ variation, $I_{OUT\_} = 100mA$ , $R_{ISET} = 15k\Omega$		0.3	0.5	V	
Output Current Accuracy		$I_{OUT\_} = 100mA$ , $R_{ISET} = 15k\Omega$	$T_A = +25^\circ C$	97	100	103	mA
			$T_A = -40^\circ C$ to $+125^\circ C$	95	100	105	mA
		$I_{OUT\_} = 20mA$ , $R_{ISET} = 75k\Omega$	$T_A = -40^\circ C$ to $+125^\circ C$	18.7	20	21.3	mA
OUT_ Leakage Current		$V_{DIM} = 0V$ , $V_{OUT\_} = 40V$		1	300	nA	
Current Foldback Threshold Voltage				1.23		V	
CFB Input Bias Current		$0 \leq V_{CFB} \leq 1.3V$	-0.3		+0.3	$\mu A$	
<b>ENABLE COMPARATOR (EN)</b>							
Enable Threshold	$V_{ENHI}$	$V_{EN}$ rising	1.1	1.24	1.34	V	
Enable Threshold Hysteresis	$V_{EN\_HYS}$			71		mV	
Enable Input Current		$V_{EN} = 40V$	-500	+50	+700	nA	
<b>DIM LOGIC</b>							
DIM Input Logic-High	$V_{IH}$		2.1			V	
DIM Input Logic-Low	$V_{IL}$				0.8	V	
Hysteresis	$V_{DIM\_HYS}$			110		mV	
DIM Input Current	$I_{DIM}$	$V_{DIM} = 5V$ or 0	-600		+100	nA	
DIM to LED Turn-On Time		$V_{DIM}$ rising edge to 90% of set current	50	290	1000	ns	
DIM to LED Turn-Off Time		$V_{DIM}$ falling edge to 10% of set current	10	121	700	ns	
$I_{OUT\_}$ Rise Time	$t_R$	Rise time measured from 10% to 90%		120	600	ns	
$I_{OUT\_}$ Fall Time	$t_F$	Fall time measured from 90% to 10%		50	500	ns	
<b>LED FAULT DETECTION</b>							
LED Shorted Fault Indicator Threshold		$T_A = +125^\circ C$	3.1		5.5	V	
			3.55	4.2	4.85		
LED String Shorted Shutoff Threshold		$T_A = +125^\circ C$	6		9.5	V	
			6.8	7.7	8.6		
Shorted LED Detection FLAG Delay				6		$\mu s$	

## Integrated, 2-Channel, High-Brightness LED Driver with High-Voltage Boost and SEPIC Controller

### ELECTRICAL CHARACTERISTICS (continued)

( $V_{IN} = V_{EN} = 12V$ ,  $R_{RT} = 12.2k\Omega$ ,  $R_{ISET} = 15k\Omega$ ,  $C_{VCC} = 1\mu F$ ,  $V_{CC} = V_{DRV} = V_{CFB}$ , DRAIN, COMP, OUT\_,  $\overline{FLT}$  = unconnected,  $V_{OV} = V_{CS} = V_{LEDGND} = V_{DIM} = V_{PGND} = V_{SGND} = 0V$ ,  $V_{GATE} = V_{NDRV}$ ,  $T_A = T_J = -40^\circ C$  to  $+125^\circ C$ , unless otherwise noted. Typical values are at  $T_A = 25^\circ C$ .) (Note 2)

PARAMETER	SYMBOL	CONDITIONS	MIN	TYP	MAX	UNITS
<b>FLT LOGIC</b>						
Output-Voltage Low	$V_{OL}$	$V_{IN} = 4.75V$ and $I_{SINK} = 5mA$			0.4	V
Output Leakage Current		$V_{FILT} = 5.5V$	-300		+300	nA
<b>OVERVOLTAGE PROTECTION</b>						
OV Trip Threshold		$V_{OV}$ rising	1.19	1.23	1.265	V
OV Hysteresis				70		mV
OV Input Bias Current		$0 \leq V_{OV} \leq 1.3V$	-100		+100	nA
<b>THERMAL SHUTDOWN</b>						
Thermal Shutdown				165		$^\circ C$
Thermal Shutdown Hysteresis				15		$^\circ C$

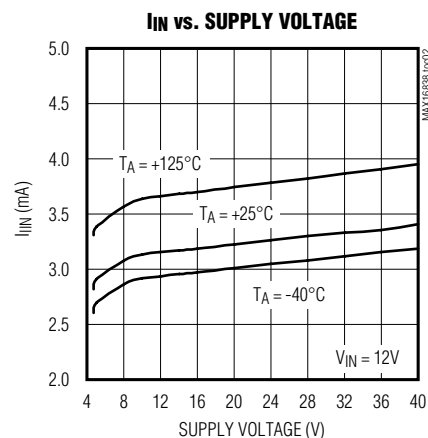
**Note 2:** All devices are 100% tested at  $T_A = +125^\circ C$ . Limits over temperature are guaranteed by design, not production tested.

**Note 3:** The shutdown current does not include currents in the OV and CFB resistive dividers.

**Note 4:** Gain =  $\Delta V_{COMP}/\Delta V_{CS}$ ,  $0.05V < V_{CS} < 0.15V$ .

### Typical Operating Characteristics

( $V_{IN} = V_{EN} = 12V$ ,  $R_{RT} = 12.2k\Omega$ ,  $R_{ISET} = 15k\Omega$ ,  $C_{VCC} = 1\mu F$ ,  $V_{CC} = V_{DRV} = V_{CFB}$ ,  $V_{DRAIN} = V_{COMP} = V_{OUT\_}$ ,  $\overline{FLT}$  = unconnected,  $V_{OV} = V_{CS} = V_{LEDGND} = V_{DIM} = V_{PGND} = V_{SGND} = 0V$ ,  $V_{GATE} = V_{NDRV}$ ,  $T_A = +25^\circ C$ , unless otherwise noted.)

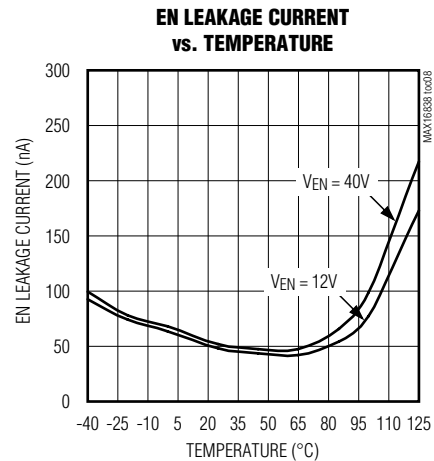
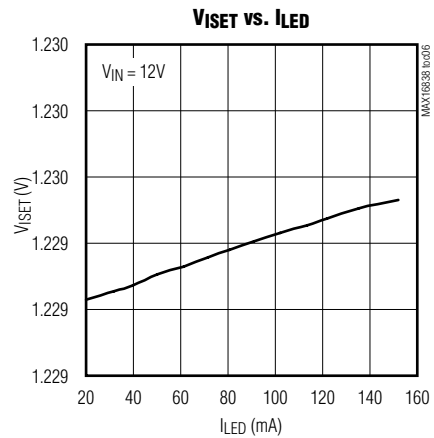
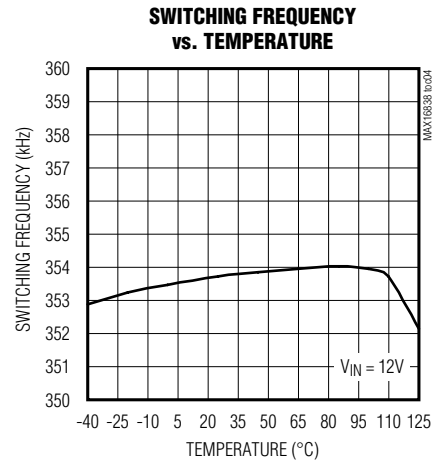


# MAX16838

## Integrated, 2-Channel, High-Brightness LED Driver with High-Voltage Boost and SEPIC Controller

### Typical Operating Characteristics (continued)

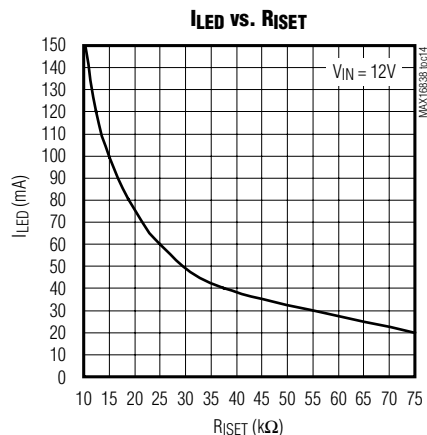
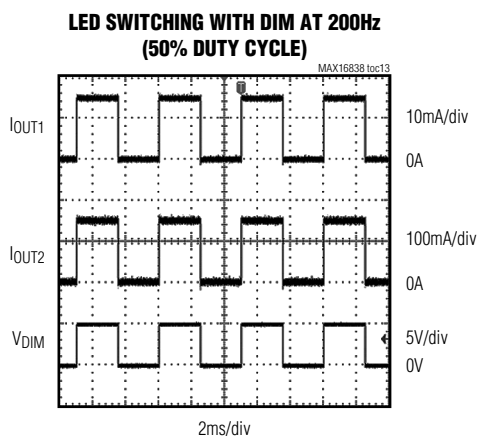
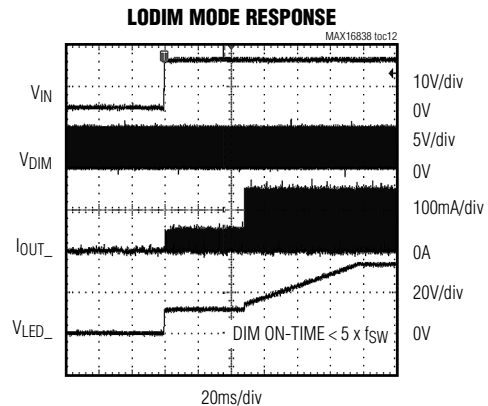
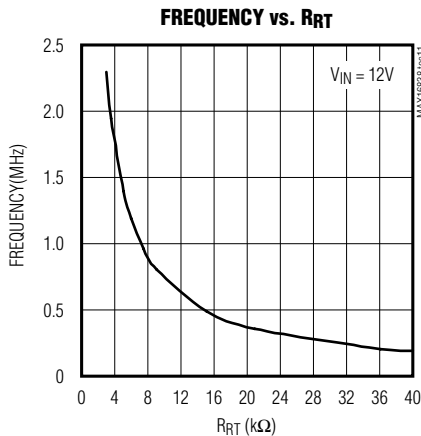
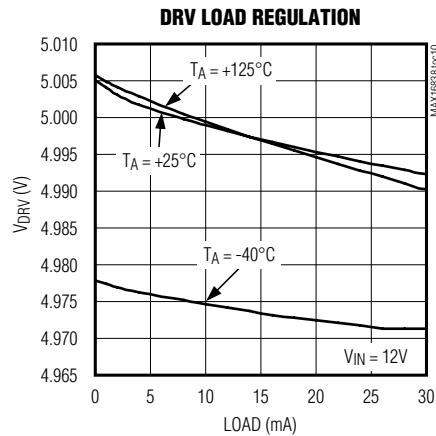
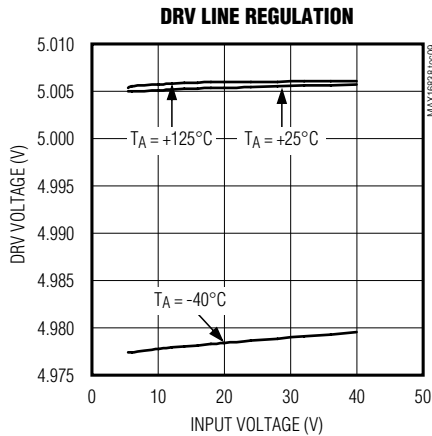
( $V_{IN} = V_{EN} = 12V$ ,  $R_{RT} = 12.2k\Omega$ ,  $R_{ISET} = 15k\Omega$ ,  $C_{VCC} = 1\mu F$ ,  $V_{CC} = V_{DRV} = V_{CFB}$ ,  $V_{DRAIN} = V_{COMP} = V_{OUT\_}$ ,  $\overline{FLT} =$  unconnected,  $V_{OV} = V_{CS} = V_{LEDGND} = V_{DIM} = V_{PGND} = V_{SGND} = 0V$ ,  $V_{GATE} = V_{NDRV}$ ,  $T_A = +25^\circ C$ , unless otherwise noted.)



## Integrated, 2-Channel, High-Brightness LED Driver with High-Voltage Boost and SEPIC Controller

### Typical Operating Characteristics (continued)

( $V_{IN} = V_{EN} = 12V$ ,  $R_{RT} = 12.2k\Omega$ ,  $R_{ISET} = 15k\Omega$ ,  $C_{VCC} = 1\mu F$ ,  $V_{CC} = V_{DRV} = V_{CFB}$ ,  $V_{DRAIN} = V_{COMP} = V_{OUT\_}$ ,  $\overline{FLT} =$  unconnected,  $V_{OV} = V_{CS} = V_{LEDGND} = V_{DIM} = V_{PGND} = V_{SGND} = 0V$ ,  $V_{GATE} = V_{NDRV}$ ,  $T_A = +25^\circ C$ , unless otherwise noted.)

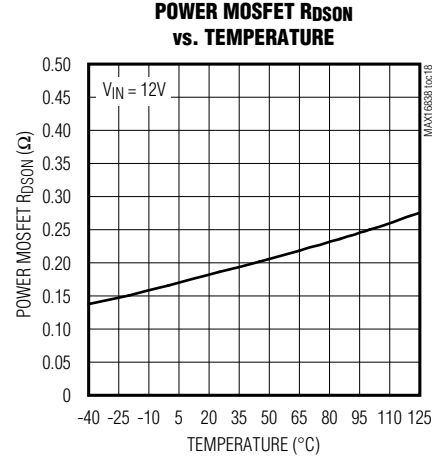
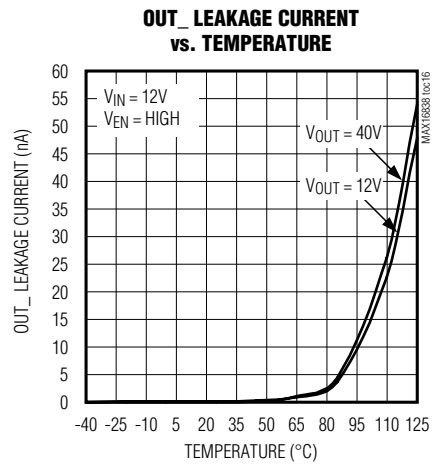


# MAX16838

## Integrated, 2-Channel, High-Brightness LED Driver with High-Voltage Boost and SEPIC Controller

### Typical Operating Characteristics (continued)

( $V_{IN} = V_{EN} = 12V$ ,  $R_{RT} = 12.2k\Omega$ ,  $R_{ISET} = 15k\Omega$ ,  $C_{VCC} = 1\mu F$ ,  $V_{CC} = V_{DRV} = V_{CFB}$ ,  $V_{DRAIN} = V_{COMP} = V_{OUT\_}$ ,  $\overline{FLT} =$  unconnected,  $V_{OV} = V_{CS} = V_{LEDGND} = V_{DIM} = V_{PGND} = V_{SGND} = 0V$ ,  $V_{GATE} = V_{NDRV}$ ,  $T_A = +25^\circ C$ , unless otherwise noted.)





# MAX16838

## Integrated, 2-Channel, High-Brightness LED Driver with High-Voltage Boost and SEPIC Controller

### Pin Description

PIN		NAME	FUNCTION
TQFN	TSSOP		
1	4	NDRV	Gate Drive for Switching MOSFET. Connect NDRV to GATE directly or through a resistor to control the rise and fall times of the gate drive.
2	5	DRV	5V Regulator Output. MOSFET gate-driver supply input. Bypass DRV to PGND with a minimum of 1 $\mu$ F ceramic capacitor. Place the capacitor as close as possible to DRV and PGND.
3	6	VCC	Internal Circuitry Supply Voltage. Bypass VCC to SGND with a minimum of 0.1 $\mu$ F ceramic capacitor. Place the capacitor as close as possible to VCC and SGND.
4	7	IN	Supply Input. Connect a 4.75V to 40V supply to IN. Bypass IN to PGND with a minimum of 1 $\mu$ F ceramic capacitor. For a 5V $\pm$ 10% supply voltage, connect V <sub>IN</sub> to VCC.
5	8	EN	Enable/Undervoltage Lockout (UVLO) Threshold Input. EN is a dual-function input. Connect EN to V <sub>IN</sub> through a resistor-divider to program the UVLO threshold.
6	9	SGND	Signal Ground. SGND is the current return path connection for the low-noise analog signals. Connect SGND, LEDGND, and PGND at a single point.
7	10	CFB	Current Foldback Reference Input. Connect a resistor-divider between IN, CFB, and ground to set the current foldback threshold. When the voltage at CFB goes below 1.23V, the LED current starts reducing linearly. Connect to VCC to disable the current foldback feature.
8	11	OV	Overvoltage Threshold Adjust Input. Connect a resistor-divider from the switching converter output to OV and SGND. The OV comparator reference is internally set to 1.23V.
9	12	ISET	LED Current Adjust Input. Connect a resistor R <sub>ISET</sub> from ISET to SGND to set the current through each LED string (I <sub>LED</sub> ) according to the formula I <sub>LED</sub> = 1512V/R <sub>ISET</sub> .
10	13	$\overline{\text{FLT}}$	Open-Drain, Active-Low Flag Output. $\overline{\text{FLT}}$ asserts when there is an open/short-LED condition at the output or when there is a thermal shutdown event.
11	14	OUT2	LED String Cathode Connection 2. OUT2 is the open-drain output of the linear current sink that controls the current through the LED string connected to OUT2. OUT2 sinks up to 150mA.
12	15	LEDGND	LED Ground. LEDGND is the return path connection for the linear current sinks. Connect SGND, LEDGND, and PGND at a single point.
13	16	OUT1	LED String Cathode Connection 1. OUT1 is the open-drain output of the linear current sink that controls the current through the LED string connected to OUT1. OUT1 sinks up to 150mA.
14	17	RT	Oscillator Timing Resistor Connection. Connect a timing resistor (R <sub>RT</sub> ) from RT to SGND to program the switching frequency. Apply an AC-coupled external clock at RT to synchronize the switching frequency with an external clock source.
15	18	COMP	Switching Converter Compensation Input. Connect an RC network from COMP to SGND (see the <i>Feedback Compensation</i> section).

# MAX16838

## Integrated, 2-Channel, High-Brightness LED Driver with High-Voltage Boost and SEPIC Controller

### Pin Description (continued)

PIN		NAME	FUNCTION
TQFN	TSSOP		
16	19	DIM	Digital PWM Dimming Input
17	20	CS	Current-Sense Input. CS is the current-sense input for the switching regulator and is also connected to the source of the internal power MOSFET. Connect a sense resistor from CS to PGND to set the switching current limit.
18	1	DRAIN	Internal Switching MOSFET Drain Output
19	2	GATE	Internal Switching MOSFET Gate Input. Connect GATE to NDRV directly or through a resistor to control the rise and fall times of the gate drive.
20	3	PGND	Power Ground. PGND is the high-switching current return path connection. Connect SGND, LEDGND, and PGND at a single point.
—	—	EP	Exposed Pad. EP is internally connected to SGND. Connect EP to a large-area contiguous ground plane for effective power dissipation. Connect EP to SGND. Do not use as the only ground connection.

# MAX16838

## Integrated, 2-Channel, High-Brightness LED Driver with High-Voltage Boost and SEPIC Controller

### Simplified Functional Diagram



# MAX16838

## Integrated, 2-Channel, High-Brightness LED Driver with High-Voltage Boost and SEPIC Controller

### **Detailed Description**

The MAX16838 high-efficiency, HB LED driver integrates all the necessary features to implement a high-performance backlight driver to power LEDs in small-to-medium-sized displays for automotive as well as general applications. The device provides load-dump voltage protection up to 40V in automotive applications. The MAX16838 incorporates a DC-DC controller with peak current-mode control to implement a boost, coupled inductor boost-buck, or SEPIC-type switched-mode power supply and a 2-channel LED driver with 20mA to 150mA constant-current-sink capability per channel. The MAX16838 can be combined with the MAX15054 to achieve boost-buck topology without a coupled inductor (see Figure 5).

The MAX16838 features a constant-frequency peak current-mode control with internal slope compensation to control the duty cycle of the PWM controller. The DC-DC converter generates the required supply voltage for the LED strings from a wide input supply range. Connect LED strings from the DC-DC converter output to the 2-channel constant current sinks that control the current through the LED strings. A single resistor connected from ISET to ground sets the forward current through both LED strings.

The MAX16838 features adaptive LED voltage control that adjusts the converter output voltage depending on the forward voltage of the LED strings. This feature minimizes the voltage drops across the constant-current sinks and reduces power dissipation in the device. The MAX16838 provides a very wide PWM dimming range where a dimming pulse as narrow as 1 $\mu$ s is possible at a 200Hz dimming frequency.

A logic input (EN) shuts down the device when pulled low. The device includes an internal 5V LDO to power up the internal circuitry and drive the internal switching MOSFET.

The MAX16838 includes output overvoltage protection that limits the converter output voltage to the programmed OV threshold in the event of an open-LED condition. The device also features an overtemperature protection that shuts down the controller if the die temperature exceeds +165°C. In addition, the MAX16838 has a shorted LED string detection and an open-drain FLT signal to indicate open LED, shorted LED, and over-temperature conditions.

### **Current-Mode DC-DC Controller**

The MAX16838 uses current-mode control to provide the required supply voltage for the LED strings. The internal MOSFET is turned on at the beginning of every switching cycle. The inductor current ramps up linearly until it is turned off at the peak current level set by the feedback loop. The peak inductor current is sensed from the voltage across the current-sense resistor (RCS) connected from the source of the internal MOSFET to PGND. A PWM comparator compares the current-sense voltage plus the internal slope compensation signal with the output of the transconductance error amplifier. The controller turns off the internal MOSFET when the voltage at CS exceeds the error amplifier's output voltage. This process repeats every switching cycle to achieve peak current-mode control.

### **Error Amplifier**

The internal error amplifier compares an internal feedback (FB) signal with an internal reference voltage (VREF) and regulates its output to adjust the inductor current. An internal minimum string detector measures the minimum LED string cathode voltage with respect to SGND. During normal operation, this minimum VOUT\_ voltage is regulated to 1V through feedback. The resulting DC-DC converter output voltage is 1V above the maximum required total LED voltage.

The converter stops switching when LED strings are turned off during PWM dimming. The error amplifier is disconnected from the COMP output to retain the compensation capacitor charge. This allows the converter to settle to a steady-state level immediately when the LED strings are turned on again. This unique feature provides fast dimming response without having to use large output capacitors. If the PWM dimming on-pulse is less than five switching cycles, the feedback controls the voltage on OV such that the converter output voltage is regulated at 95% of the OV threshold. This mode ensures that narrow PWM dimming pulses are not affected by the response time of the converter. During this mode, the error amplifier remains continuously connected to the COMP output.

### **Adaptive LED Voltage Control**

The MAX16838 reduces power dissipation using an adaptive LED voltage control scheme. The adaptive LED voltage control regulates the DC-DC converter output based on the operating voltage of the LED strings.

## Integrated, 2-Channel, High-Brightness LED Driver with High-Voltage Boost and SEPIC Controller

The voltage at each of the current-sink outputs (OUT\_) is the difference between the DC-DC regulator output voltage (V<sub>LED</sub>) and the total forward voltage of the LED string connected to the output (OUT\_). The DC-DC converter then adjusts V<sub>LED</sub> until the output channel with the lowest voltage at OUT\_ is 1V relative to LEDGND. As a result, the device minimizes power dissipation in the current sinks and still maintains LED current regulation. For efficient adaptive control functionality, use an equal number of HB LEDs of the same forward voltage rating in each string.

### Current Limit

The MAX16838 includes a fast current-limit comparator to terminate the on-cycle during an overload or a fault condition. The current-sense resistor (R<sub>CS</sub>) connected between the source of the internal MOSFET and ground sets the current limit. The CS input has a 0.3V voltage trip level (V<sub>CS</sub>). Use the following equation to calculate R<sub>CS</sub>:

$$R_{CS} = (V_{CS})/I_{PEAK}$$

where I<sub>PEAK</sub> is the peak current that flows through the MOSFET.

### Undervoltage Lockout

The MAX16838 features two undervoltage lockouts: UVLO<sub>IN</sub> and UVLO<sub>VCC</sub>. The undervoltage lockout threshold for V<sub>IN</sub> is 4.3V (typ) and the undervoltage lockout threshold for V<sub>CC</sub> is 4V (typ).

### Soft-Start

The MAX16838 features a soft-start that activates during power-up. The soft-start ramps up the output of the converter in 64 steps in a period of 100ms (typ), unless both strings reach regulation point, in which case the soft-start would terminate to resume normal operation immediately. Once the soft-start is over, the internal soft-start circuitry is disabled and the normal operation begins.

### Oscillator Frequency/External Synchronization

The MAX16838 oscillator frequency is programmable between 200kHz and 2MHz using one external resistor (R<sub>RT</sub>) connected between RT and SGND. The PWM MOSFET driver output switching frequency is the same

as the oscillator frequency. The oscillator frequency is determined using the following formula:

$$f_{SW} = (7.342 \times 10^9 / R_{RT})(\text{Hz})$$

where R<sub>RT</sub> is in  $\Omega$ .

Synchronize the oscillator with an external clock by AC-coupling the external clock to the R<sub>RT</sub> input. The capacitor used for the AC-coupling should satisfy the following relation:

$$C_{SYNC} \leq \left( \frac{9.862}{R_T} - 0.144 \times 10^{-3} \right) (\mu\text{F})$$

where R<sub>RT</sub> is in  $\Omega$ .

The pulse width for the synchronization signal should satisfy the following relations:

$$\frac{t_{PW}}{t_{CLK}} V_S < 0.8$$

$$\left( 0.8 - \frac{t_{PW}}{t_{CLK}} V_S \right) + V_S > 3.4$$

where t<sub>PW</sub> is the synchronization source pulse width, t<sub>CLK</sub> is the synchronization clock time period, and V<sub>S</sub> is the synchronization pulse voltage level. See Figure 1.

### 5V LDO Regulator (DRV)

The internal LDO regulator converts the input voltage at IN to a 5V output voltage at DRV. The LDO regulator output supports up to 30mA current, enough to provide power to the internal control circuitry and the gate driver.

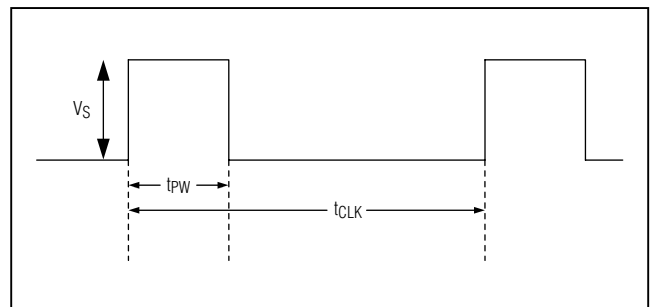


Figure 1. Synchronizing External Clock Signal

# MAX16838

## Integrated, 2-Channel, High-Brightness LED Driver with High-Voltage Boost and SEPIC Controller

Connect a  $4.7\Omega$  resistor from VCC to DRV to power the rest of the chip from the VCC pin with the 5V internal regulator. Bypass DRV to PGND with a minimum of  $1\mu\text{F}$  ceramic capacitor as close as possible to the device. For input voltage range of 4.5V to 5.5V, connect IN to VCC.

### LED Current Control (ISET)

The MAX16838 features two identical constant-current sources used to drive multiple HB LED strings. The current through each of the channels is adjustable between 20mA and 150mA using an external resistor (RISET) connected between ISET and SGND. Select RISET using the following formula:

$$R_{\text{ISET}} = \frac{1512}{I_{\text{OUT}_-}} (\Omega)$$

where  $I_{\text{OUT}_-}$  is the desired output current for both channels in amps.

For single-channel operation, connect channel 1 and channel 2 together. See Figure 2.

### LED Dimming Control

The MAX16838 features LED brightness control using an external PWM signal applied at DIM. The device accepts a minimum pulse width of  $1\mu\text{s}$ . Therefore, a 5000:1 dimming ratio is achieved when using a PWM frequency of 200Hz. Drive DIM high to enable both LED current sinks and drive DIM low to disable both LED current sinks.

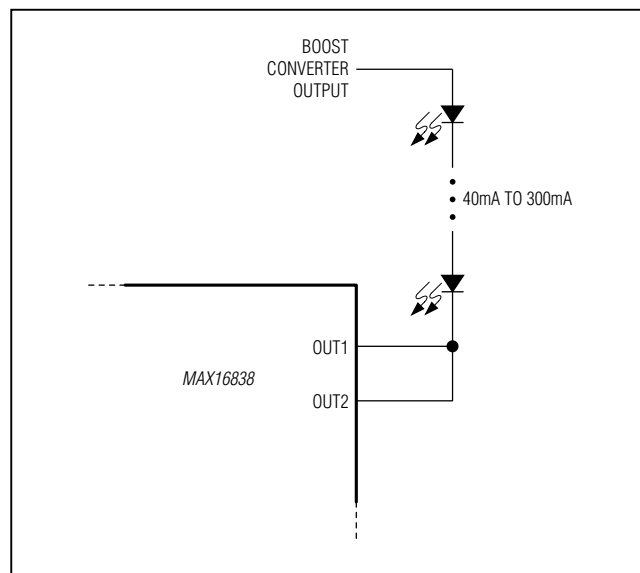


Figure 2. Configuration for Higher LED String Current

The duty cycle of the PWM signal applied to DIM also controls the DC-DC converter's output voltage. If the turn-on duration of the PWM signal is less than five oscillator clock cycles, then the boost converter regulates its output based on feedback from the OV input. During this mode, the converter output voltage is regulated to 95% of the OV threshold voltage. If the turn-on duration of the PWM signal is greater than or equal to six oscillator clock cycles, then the converter regulates its output such that the minimum voltage at  $\text{OUT}_-$  is 1V.

When the DIM signal crosses the 5 or 6 oscillator clock cycle boundary, the control loop of the MAX16838 experiences a discontinuity due to an internal mode transition that can cause flickering (the boost output voltage changes as described in the previous paragraph). To avoid flicker, the following is recommended:

- ◆ Avoid crossing the 5 or 6 oscillator clock cycle boundary. Furthermore, DIM duty cycles that close to the 5 or 6 cycle boundary should not be used.
- ◆ Do not set the OVP level higher than 3V above the maximum LED operating voltage.
- ◆ Optimize the compensation components so that recovery is as fast as possible. If the loop phase margin is less than  $45^\circ$ , the output voltage can ring during the 5 or 6 oscillator clock cycle boundary crossing, which can contribute to flicker.

### Fault Protections

The MAX16838 fault protections include cycle-by-cycle current limiting, DC-DC converter output overvoltage protection, open-LED detection, short-LED detection, and overtemperature detection. An open-drain LED fault flag output (FLT) goes low when an open-LED/short-LED or overtemperature condition is detected.

### Open-LED Management and Overvoltage Protection

The MAX16838 monitors the drains of the current sinks ( $\text{OUT}_-$ ) to detect any open string. If the voltage at any output falls below 300mV and the OV threshold is triggered (i.e., even with  $\text{OUT}_-$  at the OV voltage the string is not able to regulate above 300mV), then the MAX16838 interprets that string to be open, asserts  $\overline{\text{FLT}}$ , and disconnects that string from the operation loop. The MAX16838 features an adjustable overvoltage threshold input (OV). Connect a resistor-divider from the switching converter output to OV and SGND to set the overvoltage threshold level.

## Integrated, 2-Channel, High-Brightness LED Driver with High-Voltage Boost and SEPIC Controller

Use the following formula to program the overvoltage threshold:

$$V_{OV} = 1.23V \times \left( 1 + \frac{R2_{OV}}{R1_{OV}} \right)$$

Open-LED detection is disabled when PWM pulse width is less than five switching clock cycles.

### Short-LED Detection

The MAX16838 features a two-level short-LED detection circuitry. If a level 1 short is detected on any one of the strings,  $\overline{FLT}$  is asserted. A level 1 short is detected if the difference between the total forward LED voltages of the two strings exceeds 4.2V (typ). If a level 2 short is detected on any one of the strings, the particular LED string with the short is turned off after 6 $\mu$ s and  $\overline{FLT}$  is asserted. A level 2 short is detected if the difference between the total forward LED voltages of the two strings exceeds 7.8V (typ). The strings are reevaluated on each DIM rising edge and  $\overline{FLT}$  is deasserted if the short is removed. Short-LED detection is disabled when PWM pulse width is less than five switching clock cycles.

### Enable (EN)

EN is a logic input that completely shuts down the device when connected to logic-low, reducing the current consumption of the device to less than 15 $\mu$ A (typ). The logic threshold at EN is 1.24V (typ). The voltage at EN must exceed 1.24V before any operation can commence. There is a 71mV hysteresis on EN. The EN input also allows programming the supply input UVLO threshold using an external voltage-divider to sense the input voltage, as shown in Figure 3. Use the following equation to calculate the value of R1<sub>EN</sub> and R2<sub>EN</sub> in Figure 3:

$$R1_{EN} = \left( \frac{V_{ON}}{V_{UVLOIN}} - 1 \right) \times R2_{EN}$$

where V<sub>UVLOIN</sub> is the EN rising threshold (1.24V) and V<sub>ON</sub> is the desired input startup voltage. Choose an R2<sub>EN</sub> between 10k $\Omega$  and 50k $\Omega$ . Connect EN to IN if not used.

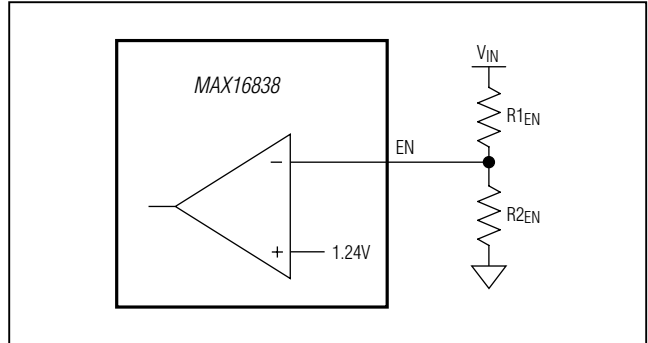


Figure 3. Setting the MAX16838 Undervoltage Lockout Threshold

### Current Foldback

The MAX16838 includes a current-foldback feature to limit the input current at low V<sub>IN</sub>. Connect a resistor-divider between IN, CFB, and SGND to set the current-foldback threshold. When the voltage at CFB goes below 1.23V, then the LED current starts reducing proportionally to V<sub>CFB</sub>.

This feature can also be used for analog dimming of the LEDs. Connect CFB to V<sub>CC</sub> to disable this feature.

## Applications Information

### Boost-Circuit Design

First, determine the required input supply voltage range, the maximum voltage needed to drive the LED strings including the minimum 1V across the constant LED current sink (V<sub>LED</sub>), and the total output current needed to drive the LED strings (I<sub>LED</sub>).

Calculate the maximum duty cycle (D<sub>MAX</sub>) using the following equation:

$$D_{MAX} = (V_{LED} + V_D - V_{IN\_MIN}) / (V_{LED} + V_D)$$

where V<sub>D</sub> is the forward drop of the rectifier diode, V<sub>IN\_MIN</sub> is the minimum input supply voltage, and V<sub>LED</sub> is the output voltage. Select the switching frequency (f<sub>sw</sub>) depending on the space, noise, dynamic response, and efficiency constraints.

# MAX16838

## Integrated, 2-Channel, High-Brightness LED Driver with High-Voltage Boost and SEPIC Controller

### Inductor Selection in Boost Configuration

Select the maximum peak-to-peak ripple on the inductor current (ILP-P). Use the following equations to calculate the maximum average inductor current (ILAVG) and peak inductor current (ILPEAK):

$$I_{LAVG} = I_{LED}/(1 - D_{MAX})$$

Assuming ILP-P is 40% of the average inductor current:

$$I_{LP-P} = I_{LAVG} \times 0.4$$

$$I_{LPEAK} = I_{LAVG} + I_{LP-P}/2$$

Calculate the minimum inductance value LMIN with the inductor current ripple set to the maximum value:

$$L_{MIN} = V_{IN\_MIN} \times D_{MAX}/(f_{SW} \times I_{LP-P})$$

Choose an inductor that has a minimum inductance greater than the calculated LMIN and current rating greater than ILPEAK. The recommended saturation current limit of the selected inductor is 10% higher than the inductor peak current. The ILP-P can be chosen to have a higher ripple than 40%. Adjust the minimum value of the inductance according to the chosen ripple. One fact that must be noted is that the slope compensation is fixed and has a 120mV peak per switching cycle. The dv/dt of the slope compensation ramp is 120fswV/μs, where fsw is in kHz. After selecting the inductance it is necessary to verify that the slope compensation is adequate to prevent subharmonic oscillations. In the case of the boost, the following criteria must be satisfied:

$$120f_{SW} > R_{CS} (V_{LED} - 2V_{IN\_MIN})/2L$$

where L is the inductance value in μH, RCS is the current-sense resistor value in Ω, VIN\_MIN is the minimum input voltage in V, VLED is the output voltage, and fsw is the switching frequency in kHz.

If the inductance value is chosen to keep the inductor in discontinuous conduction mode, the equation above does not need to be satisfied.

### Output Capacitor Selection in Boost Configuration

For the boost converter, the output capacitor supplies the load current when the main switch is on. The required output capacitance is high, especially at higher duty cycles.

Calculate the output capacitor (COUT) using the following equation:

$$C_{OUT} > (D_{MAX} \times I_{LED})/(V_{LED\_P-P} \times f_{SW})$$

where VLED\_P-P is the peak-to-peak ripple in the LED supply voltage. Use a combination of low-ESR and high-

capacitance ceramic capacitors for lower output ripple and noise.

### Input Capacitor Selection in Boost Configuration

The input current for the boost converter is continuous and the RMS ripple current at the input capacitor is low. Calculate the minimum input capacitor CIN using the following equation:

$$C_{IN} = I_{LP-P}/(8 \times f_{SW} \times V_{IN\_P-P})$$

where VIN\_P-P is the peak-to-peak input ripple voltage. This equation assumes that input capacitors supply most of the input ripple current.

### Rectifier Diode Selection

Using a Schottky rectifier diode produces less forward drop and puts the least burden on the MOSFET during reverse recovery. A diode with considerable reverse-recovery time increases the MOSFET switching loss. Select a Schottky diode with a voltage rating 20% higher than the maximum boost-converter output voltage and current rating greater than that calculated in the following equation:

$$I_D = I_{LAVG} (1 - D_{MAX}) (A)$$

### Feedback Compensation

The voltage feedback loop needs proper compensation for stable operation. This is done by connecting a resistor (RCOMP) and capacitor (CCOMP) in series from COMP to SGND. RCOMP is chosen to set the high-frequency integrator gain for fast transient response, while CCOMP is chosen to set the integrator zero to maintain loop stability. For optimum performance, choose the components using the following equations:

$$R_{COMP} = \frac{f_{ZRHP} \times R_{CS} \times I_{LED}}{5 \times FP1 \times GM_{COMP} \times V_{LED} \times (1 - D_{MAX})}$$

where:

$$f_{ZRHP} = \frac{V_{LED}(1 - D_{MAX})^2}{2\pi \times L \times I_{LED}}$$

is the right-half plane zero for the boost regulator.

RCS is the current-sense resistor in series with the source of the internal switching MOSFET. ILED is the total LED current that is the sum of the LED currents in both the channels. VLED is the output voltage of the boost regulator. DMAX is the maximum duty cycle that occurs







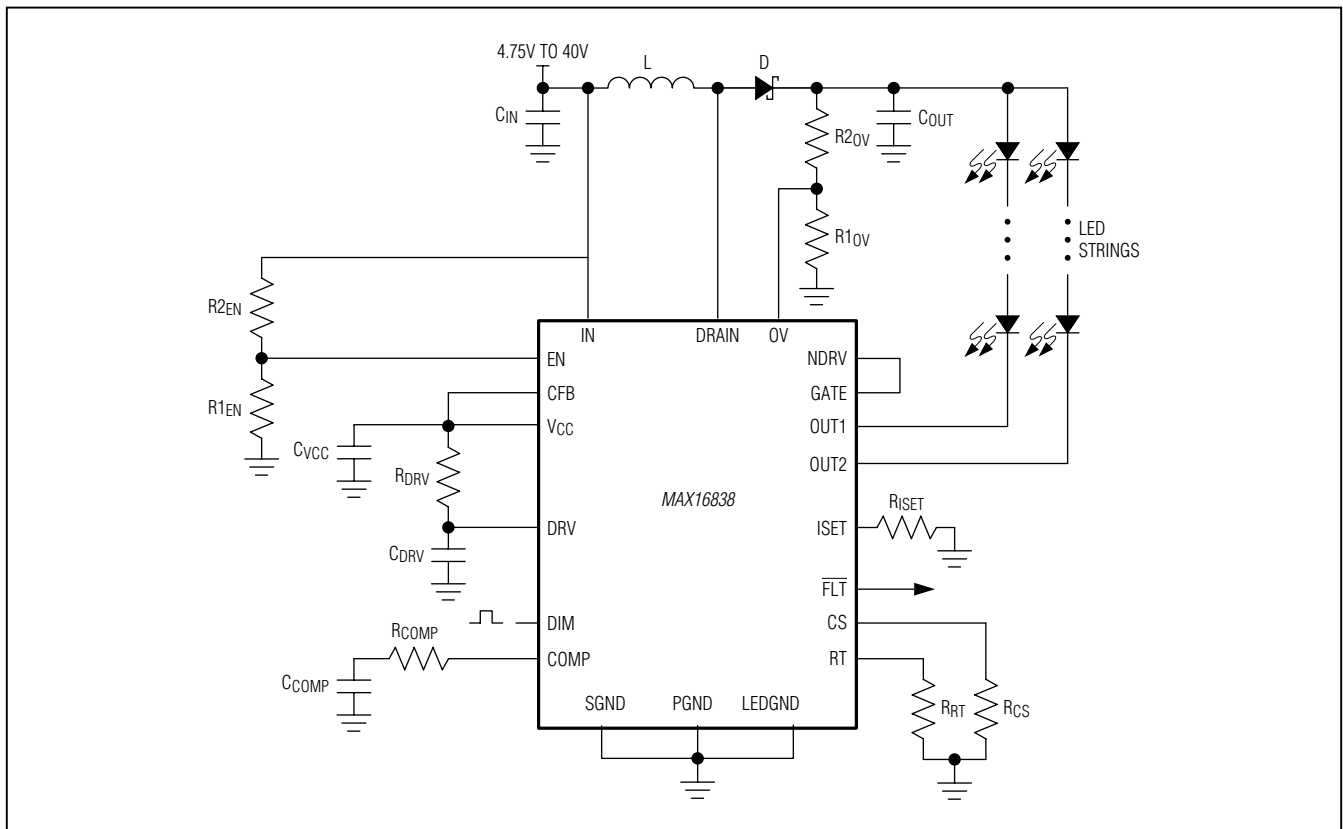
# MAX16838

## Integrated, 2-Channel, High-Brightness LED Driver with High-Voltage Boost and SEPIC Controller

### Pin Configurations



### Typical Operating Circuit



# MAX16838

## Integrated, 2-Channel, High-Brightness LED Driver with High-Voltage Boost and SEPIC Controller

### Chip Information

PROCESS: BiCMOS DMOS

### Package Information

For the latest package outline information and land patterns (footprints), go to [www.maximintegrated.com/packages](http://www.maximintegrated.com/packages). Note that a "+", "#", or "-" in the package code indicates RoHS status only. Package drawings may show a different suffix character, but the drawing pertains to the package regardless of RoHS status.

PACKAGE TYPE	PACKAGE CODE	OUTLINE NO.	LAND PATTERN NO.
20 TQFN-EP	T2044+3	<a href="#">21-0139</a>	<a href="#">90-0037</a>
20 TSSOP-EP	U20E+1	<a href="#">21-0108</a>	<a href="#">90-0114</a>

# MAX16838

## Integrated, 2-Channel, High-Brightness LED Driver with High-Voltage Boost and SEPIC Controller

### Revision History

REVISION NUMBER	REVISION DATE	DESCRIPTION	PAGES CHANGED
0	9/02	Initial release	—
1	12/09	Added <i>N</i> part number, updated soldering temperature	1, 2
2	4/11	Corrected formulas for CSYNC and OVP	2, 13, 14
3	6/13	Updated <i>Open-LED Management and Overvoltage Protection</i> and <i>Short-LED Detection</i> sections and corrected equation in <i>Rectifier Diode Selection</i> section	14, 16
4	3/16	Updated <i>LED Dimming Control</i> section	14



Maxim Integrated cannot assume responsibility for use of any circuitry other than circuitry entirely embodied in a Maxim Integrated product. No circuit patent licenses are implied. Maxim Integrated reserves the right to change the circuitry and specifications without notice at any time. The parametric values (min and max limits) shown in the Electrical Characteristics table are guaranteed. Other parametric values quoted in this data sheet are provided for guidance.

**Maxim Integrated 160 Rio Robles, San Jose, CA 95134 USA 1-408-601-1000**

21

Компания «Океан Электроники» предлагает заключение долгосрочных отношений при поставках импортных электронных компонентов на взаимовыгодных условиях!

Наши преимущества:

- Поставка оригинальных импортных электронных компонентов напрямую с производств Америки, Европы и Азии, а так же с крупнейших складов мира;
- Широкая линейка поставок активных и пассивных импортных электронных компонентов (более 30 млн. наименований);
- Поставка сложных, дефицитных, либо снятых с производства позиций;
- Оперативные сроки поставки под заказ (от 5 рабочих дней);
- Экспресс доставка в любую точку России;
- Помощь Конструкторского Отдела и консультации квалифицированных инженеров;
- Техническая поддержка проекта, помощь в подборе аналогов, поставка прототипов;
- Поставка электронных компонентов под контролем ВП;
- Система менеджмента качества сертифицирована по Международному стандарту ISO 9001;
- При необходимости вся продукция военного и аэрокосмического назначения проходит испытания и сертификацию в лаборатории (по согласованию с заказчиком);
- Поставка специализированных компонентов военного и аэрокосмического уровня качества (Xilinx, Altera, Analog Devices, Intersil, Interpoint, Microsemi, Actel, Aeroflex, Peregrine, VPT, Syfer, Eurofarad, Texas Instruments, MS Kennedy, Miteq, Cobham, E2V, MA-COM, Hittite, Mini-Circuits, General Dynamics и др.);

Компания «Океан Электроники» является официальным дистрибьютором и эксклюзивным представителем в России одного из крупнейших производителей разъемов военного и аэрокосмического назначения «JONHON», а так же официальным дистрибьютором и эксклюзивным представителем в России производителя высокотехнологичных и надежных решений для передачи СВЧ сигналов «FORSTAR».



## JONHON

«JONHON» (основан в 1970 г.)

Разъемы специального, военного и аэрокосмического назначения:

(Применяются в военной, авиационной, аэрокосмической, морской, железнодорожной, горно- и нефтедобывающей отраслях промышленности)

«FORSTAR» (основан в 1998 г.)

ВЧ соединители, коаксиальные кабели, кабельные сборки и микроволновые компоненты:

(Применяются в телекоммуникациях гражданского и специального назначения, в средствах связи, РЛС, а так же военной, авиационной и аэрокосмической отраслях промышленности).



Телефон: 8 (812) 309-75-97 (многоканальный)

Факс: 8 (812) 320-03-32

Электронная почта: [ocean@oceanchips.ru](mailto:ocean@oceanchips.ru)

Web: <http://oceanchips.ru/>

Адрес: 198099, г. Санкт-Петербург, ул. Калинина, д. 2, корп. 4, лит. А