

GENERAL DESCRIPTION

The XR33032/35/38 family of high performance half duplex RS-485 transceivers are optimized to operate over a wide range of supply voltage, from +2.8V to +5.5V. The analog bus pins can withstand direct shorts up to $\pm 18V$, and are protected against ESD events up to $\pm 15kV$.

In an isolated application it may be more efficient to use a remote power supply rather than generating an isolated supply at every node. The XR33032/35/38 transceivers can operate with more than 2V IR drop in the cable when utilizing a remote 5V power supply. The transceivers draw less than 600 μA , and typically only 300 μA when idling with the receivers active.

The receivers include full fail-safe circuitry, guaranteeing a logic-high receiver output when the receiver inputs are open, shorted, or undriven. The receiver input impedance is 96k Ω (1/8 unit load), allowing up to 256 devices on the bus while preserving the full signal margin.

The drivers are protected by short circuit detection as well as thermal shutdown, and maintain high impedance in shutdown or when powered off. The XR33032 and XR33035 drivers are slew limited for reduced EMI and error-free communication over long or unterminated data cables.

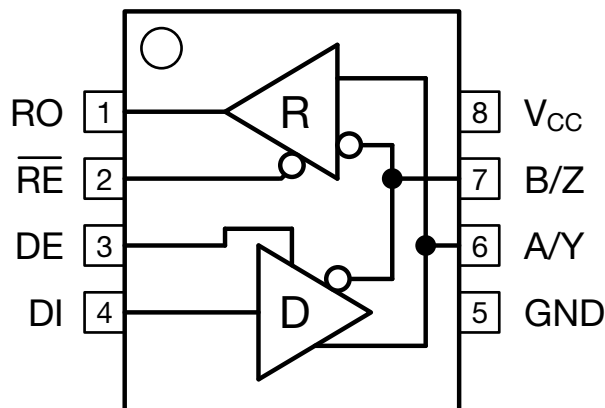
The DE and RE pins include hot swap circuitry to prevent false transitions on the bus during power-up or live insertion, and can enter a low current shutdown mode (40nA typically) for extreme power savings.

FEATURES

- **+2.8V to +5.5V Operating Range**
- **$\pm 18V$ Fault Tolerance** on Analog Bus pins
- Robust ESD (ElectroStatic Discharge) Protection:
 - **$\pm 15kV$ IEC 61000-4-2 Air Gap Discharge**
 - **$\pm 8kV$ IEC 61000-4-2 Contact Discharge**
 - $\pm 15kV$ Human Body Model
 - $\pm 4kV$ Human Body Model on non-bus pins
- **300 μA Idle Current**, 40nA Shutdown Current
- Enhanced Receiver Fail-Safe Protection for Open, Shorted, or Terminated but Idle Data Lines
- Hot-Swap Glitch Protection on DE and \overline{RE} Pins
- Driver Short Circuit Current Limit and Thermal Shutdown for Overload Protection
- 1/8th Unit Load Allows up to 256 Devices on Bus
- Industry Standard 8 NSOIC Half Duplex Package

TYPICAL APPLICATIONS

- Isolated Multipoint RS-485 Data Buses
- Remote Nodes Powered by the Host
- Building Automation and HVAC
- Industrial Process Control Networks
- Remote Utility Meter Reading
- Energy Monitoring and Control



ABSOLUTE MAXIMUM RATINGS

These are stress ratings only and functional operation of the device at these ratings or any other above those indicated in the operation sections to the specifications below is not implied.

| | |
|---|---------------------------------------|
| V_{CC} | -0.3V to +7.0V |
| Input Voltage at Control and Driver Input (\overline{RE} , DE, and DI) | -0.3V to +7.0V |
| Receiver Output Voltage (RO) | -0.3V to ($V_{CC} + 0.3V$) |
| Driver Output Voltage (A and B) | $\pm 18V$ |
| Receiver Input Voltage (A and B) | $\pm 18V$ |
| Transient Voltage Pulse, through 100 Ω Figure 5 | $\pm 70V$ |
| Driver Output Current | $\pm 250mA$ |
| Storage Temperature Range | -65°C to +150°C |
| Lead Temperature (soldering, 10s) | +300°C |
| Package Power Dissipation 8-Pin SO $\Theta_{JA} = 128.4^{\circ}C/W$ 14-Pin SO $\Theta_{JA} = 86^{\circ}C/W$ | Maximum Junction Temperature = +150°C |

ORDERING INFORMATION

| PART NUMBER | DUPLEX | DATA RATE | PACKAGE | TEMPERATURE RANGE |
|---------------|--------|-----------|-------------------|-------------------|
| XR33032ID-F | Half | 250kbps | 8-pin Narrow SOIC | -40°C to +85°C |
| XR33032IDTR-F | Half | 250kbps | 8-pin Narrow SOIC | -40°C to +85°C |
| XR33035ID-F | Half | 1Mbps | 8-pin Narrow SOIC | -40°C to +85°C |
| XR33035IDTR-F | Half | 1Mbps | 8-pin Narrow SOIC | -40°C to +85°C |
| XR33038ID-F | Half | 10Mbps | 8-pin Narrow SOIC | -40°C to +85°C |
| XR33038IDTR-F | Half | 10Mbps | 8-pin Narrow SOIC | -40°C to +85°C |

NOTE: TR = Tape and Reel part numbers, -F = Green / RoHS Compliant

ELECTRICAL CHARACTERISTICS

Unless otherwise noted: $V_{CC} = +2.8V$ to $+5.5V$, $T_A = -40C$ to $+85C$. Typical values are at $V_{CC} = 3.3V$, $T_A = +25^{\circ}C$.

| SYMBOL | PARAMETERS | MIN. | TYP. | MAX. | UNITS | CONDITIONS |
|----------------------------------|---|------|--------------|----------|---------|---|
| DRIVER DC CHARACTERISTICS | | | | | | |
| V_{CC} | Supply Voltage Range | 2.8 | | 5.5 | V | |
| V_{OD} | Differential Driver Output, $+3.0V \leq V_{CC} \leq +5.5V$ | 2 | | V_{CC} | V | $R_L = 100\Omega$ (RS-422), Figure 2 |
| | | 1.5 | | V_{CC} | V | $R_L = 54\Omega$ (RS-485), Figure 2 |
| | | 1.5 | | V_{CC} | V | $-7V \leq V_{CM} \leq +12V$, Figure 3 |
| V_{OD} | Differential Driver Output, $+2.8V \leq V_{CC} \leq +3.0V$ | 1.8 | | V_{CC} | V | $R_L = 100\Omega$ (RS-422), Figure 2 |
| | | 1.4 | | V_{CC} | V | $R_L = 54\Omega$ (RS-485), Figure 2 |
| | | 1.1 | | V_{CC} | V | $-7V \leq V_{CM} \leq +12V$, Figure 3 |
| ΔV_{OD} | Change in Magnitude of Differential Output Voltage | -0.2 | | +0.2 | V | $R_L = 100\Omega$ (RS-422), or $R_L = 54\Omega$ (RS-485), Figure 2 , Note 1 |
| V_{CM} | Driver Common-Mode Output Voltage (Steady State) | | $V_{CC} / 2$ | 3 | V | |
| ΔV_{CM} | Change in Magnitude of Common-Mode Output Voltage | -0.2 | | +0.2 | V | |
| V_{IH} | Logic High Threshold (DI, DE, \overline{RE}) | 2.8 | | | V | $+4.5V \leq V_{CC} \leq +5.5V$ |
| | | 2.3 | | | V | $+4.0V \leq V_{CC} \leq +4.5V$ |
| | | 2.0 | | | V | $+2.8V \leq V_{CC} \leq +4.0V$ |
| V_{IL} | Logic Low Threshold (DI, DE, \overline{RE}) | | | 0.8 | V | |
| V_{HYS} | Input Hysteresis (DI, DE, \overline{RE}) | | 100 | | mV | |
| I_{IN} | Logic Input Current (DI, DE, \overline{RE}) | -1 | | +1 | μA | $0V \leq V_{IN} \leq V_{CC}$, After first transition, Note 2 |
| | Logic Input Current (DE and \overline{RE}) | -200 | 100 | +200 | μA | Until first transition, Note 2 |
| $I_{A, B}$ | Input Current (A and B) | | | 125 | μA | $V_{OUT} = +12V$, $DE = 0V$, $V_{CC} = 0V$ or $+5.5V$ |
| | | -100 | | | μA | $V_{OUT} = -7V$, $DE = 0V$, $V_{CC} = 0V$ or $+5.5V$ |
| I_{OL} | Output Leakage (Y and Z) Full Duplex (Note 2) | | | 125 | μA | $V_{OUT} = +12V$, $DE = 0V$, $V_{CC} = 0V$ or $+5.5V$ |
| | | -100 | | | μA | $V_{OUT} = -7V$, $DE = 0V$, $V_{CC} = 0V$ or $+5.5V$ |
| I_{OSD} | Driver Short-Circuit Output Current | -250 | | +250 | mA | $-7V \leq V_{OUT} \leq +12V$, Figure 4 |

Unless otherwise noted: $V_{CC} = +2.8V$ to $+5.5V$, $T_A = -40C$ to $+85C$. Typical values are at $V_{CC} = 3.3V$, $T_A = +25^{\circ}C$.

| SYMBOL | PARAMETERS | MIN. | TYP. | MAX. | UNITS | CONDITIONS |
|---------------------------------------|---|--------------|-------|-----------|-------------|---|
| DRIVER THERMAL CHARACTERISTICS | | | | | | |
| T_{TS} | Thermal Shutdown Temperature | | 175 | | $^{\circ}C$ | Junction temperature |
| T_{TSH} | Thermal Shutdown Hysteresis | | 15 | | $^{\circ}C$ | |
| RECEIVER DC CHARACTERISTICS | | | | | | |
| V_{TH} | Receiver Differential Input Threshold Voltage ($V_A - V_B$) | -200 | -125 | -50 | mV | $-7V \leq V_{CM} \leq +12V$ |
| ΔV_{OH} | Receiver Input Hysteresis | | 25 | | mV | $V_{CM} = 0V$ |
| V_{OH} | Receiver Output High Voltage (RO) | $V_{CC}-0.6$ | | | V | $I_{OUT} = -1mA$ |
| V_{OL} | Receiver Output Low Voltage (RO) | | | 0.4 | V | $I_{OUT} = 1mA$ |
| I_{OZR} | High-Z Receiver Output Current | | | ± 1 | μA | $0V \leq V_{OUT} \leq V_{CC}$ |
| R_{IN} | Receiver Input Resistance | 96 | | | $k\Omega$ | $-7V \leq V_{CM} \leq +12V$ |
| I_{OSC} | Receiver Output Short-Circuit Current | | | ± 120 | mA | $0V \leq V_{RO} \leq V_{CC}$ |
| SUPPLY CURRENT | | | | | | |
| I_{CC} | Supply Current | | 400 | 600 | μA | No Load, $\overline{RE} = 0V$, $DE = V_{CC}$ $DI = 0V$ |
| | | | 300 | 600 | μA | No Load, $\overline{RE} = V_{CC}$, $DE = V_{CC}$ $DI = 0V$ |
| | | | 300 | 500 | μA | No Load, $\overline{RE} = 0V$, $DE = 0V$ Receiver A and B inputs open |
| I_{SHDN} | Supply Current in Shutdown Mode | | 0.040 | 1 | μA | $\overline{RE} = V_{CC}$, $DE = 0V$ |
| ESD PROTECTION | | | | | | |
| | ESD Protection for A, B, Y, and Z | ± 15 | | | kV | Human Body Model |
| | | ± 15 | | | kV | IEC 61000-4-2 Airgap |
| | | ± 8 | | | kV | IEC 61000-4-2 Contact |
| | ESD Protection for all other pins | ± 4 | | | kV | Human Body Model |

Unless otherwise noted: $V_{CC} = +2.8V$ to $+5.5V$, $T_A = -40C$ to $+85C$. Typical values are at $V_{CC} = 3.3V$, $T_A = +25^{\circ}C$.

| SYMBOL | PARAMETERS | MIN. | TYP. | MAX. | UNITS | CONDITIONS |
|------------------------------------|--|--------------------------|------|------|-------|---|
| DRIVER AC CHARACTERISTICS | | XR33032 (250kbps) | | | | |
| t_{DPLH} | Driver Prop. Delay (Low to High) | 250 | | 1500 | ns | $C_L = 50pF$, $R_L = 54\Omega$, Figure 6 |
| t_{DPHL} | Driver Prop. Delay (High to Low) | 250 | | 1500 | ns | |
| $ t_{DPLH} - t_{DPHL} $ | Differential Driver Output Skew | | 20 | 200 | ns | |
| t_{DR} , t_{DF} | Driver Differential Output Rise or Fall Time | 350 | | 1600 | ns | |
| | Maximum Data Rate | 250 | | | kbps | $1/t_{UI}$, Duty Cycle 40 to 60% |
| t_{DZH} | Driver Enable to Output High | | 200 | 2500 | ns | $C_L = 50pF$, $R_L = 500\Omega$, Figure 7 |
| t_{DZL} | Driver Enable to Output Low | | 200 | 2500 | ns | |
| t_{DHZ} | Driver Disable from Output High | | 6 | 100 | ns | |
| t_{DLZ} | Driver Disable from Output Low | | 6 | 100 | ns | |
| $t_{DZH(SHDN)}$ | Driver Enable from Shutdown to Output High | | | 5500 | ns | $C_L = 50pF$, $R_L = 500\Omega$, Figure 7 |
| $t_{DZL(SHDN)}$ | Driver Enable from Shutdown to Output Low | | | 5500 | ns | |
| t_{SHDN} | Time to Shutdown | 50 | 200 | 600 | ns | Notes 3 |
| RECEIVER AC CHARACTERISTICS | | XR33032 (250kbps) | | | | |
| t_{RPLH} | Receiver Prop. Delay (Low to High) | | | 200 | ns | $C_L = 15pF$, $V_{ID} = \pm 2V$, V_{ID} Rise and Fall times < 15ns Figure 8 |
| t_{RPHL} | Receiver Prop. Delay (High to Low) | | | 200 | ns | |
| $ t_{RPLH} - t_{RPHL} $ | Receiver Propagation Delay Skew | | | 30 | ns | |
| | Maximum Data Rate | 250 | | | kbps | $1/t_{UI}$, Duty Cycle 40 to 60% |
| t_{RZH} | Receiver Enable to Output High | | | 50 | ns | $C_L = 15pF$, $R_L = 1k\Omega$, Figure 9 |
| t_{RZL} | Receiver Enable to Output Low | | | 50 | ns | |
| t_{RHZ} | Receiver Disable from Output High | | | 50 | ns | |
| t_{RLZ} | Receiver Disable from Output Low | | | 50 | ns | |
| $t_{RZH(SHDN)}$ | Receiver Enable from Shutdown to Output High | | | 3500 | ns | $C_L = 15pF$, $R_L = 1k\Omega$, Figure 9 |
| $t_{RZL(SHDN)}$ | Receiver Enable from Shutdown to Output Low | | | 3500 | ns | |
| t_{SHDN} | Time to Shutdown | 50 | 200 | 600 | ns | Notes 3 |

Unless otherwise noted: $V_{CC} = +2.8V$ to $+5.5V$, $T_A = -40C$ to $+85C$. Typical values are at $V_{CC} = 3.3V$, $T_A = +25^{\circ}C$.

| SYMBOL | PARAMETERS | MIN. | TYP. | MAX. | UNITS | CONDITIONS |
|------------------------------------|--|------|------|------|-------|---|
| DRIVER AC CHARACTERISTICS | | | | | | XR33035 (1Mbps) |
| t_{DPLH} | Driver Prop. Delay (Low to High) | | 150 | 300 | ns | $C_L = 50pF$, $R_L = 54\Omega$, Figure 6 |
| t_{DPHL} | Driver Prop. Delay (High to Low) | | 150 | 300 | ns | |
| $ t_{DPLH} - t_{DPHL} $ | Differential Driver Output Skew | | 5 | 50 | ns | |
| t_{DR} , t_{DF} | Driver Differential Output Rise or Fall Time | 100 | 200 | 350 | ns | |
| | Maximum Data Rate | 1 | | | Mbps | $1/t_{UI}$, Duty Cycle 40 to 60% |
| t_{DZH} | Driver Enable to Output High | | 1000 | 2500 | ns | $C_L = 50pF$, $R_L = 500\Omega$, Figure 7 |
| t_{DZL} | Driver Enable to Output Low | | 1000 | 2500 | ns | |
| t_{DHZ} | Driver Disable from Output High | | 60 | 100 | ns | |
| t_{DLZ} | Driver Disable from Output Low | | 60 | 100 | ns | |
| $t_{DZH(SHDN)}$ | Driver Enable from Shutdown to Output High | | | 3500 | ns | $C_L = 50pF$, $R_L = 500\Omega$, Figure 7 |
| $t_{DZL(SHDN)}$ | Driver Enable from Shutdown to Output Low | | | 3500 | ns | |
| t_{SHDN} | Time to Shutdown | 50 | 200 | 600 | ns | Notes 3 |
| RECEIVER AC CHARACTERISTICS | | | | | | XR33035 (1Mbps) |
| t_{RPLH} | Receiver Prop. Delay (Low to High) | | | 200 | ns | $C_L = 15pF$, $V_{ID} = \pm 2V$, V_{ID} Rise and Fall times $< 15ns$ Figure 8 |
| t_{RPHL} | Receiver Prop. Delay (High to Low) | | | 200 | ns | |
| $ t_{RPLH} - t_{RPHL} $ | Receiver Propagation Delay Skew | | | 30 | ns | |
| | Maximum Data Rate | 1 | | | Mbps | $1/t_{UI}$, Duty Cycle 40 to 60% |
| t_{RZH} | Receiver Enable to Output High | | | 50 | ns | $C_L = 15pF$, $R_L = 1k\Omega$, Figure 9 |
| t_{RZL} | Receiver Enable to Output Low | | | 50 | ns | |
| t_{RHZ} | Receiver Disable from Output High | | | 50 | ns | |
| t_{RLZ} | Receiver Disable from Output Low | | | 50 | ns | |
| $t_{RZH(SHDN)}$ | Receiver Enable from Shutdown to Output High | | | 3500 | ns | $C_L = 15pF$, $R_L = 1k\Omega$, Figure 9 |
| $t_{RZL(SHDN)}$ | Receiver Enable from Shutdown to Output Low | | | 3500 | ns | |
| t_{SHDN} | Time to Shutdown | 50 | 200 | 600 | ns | Notes 3 |

Unless otherwise noted: $V_{CC} = +2.8V$ to $+5.5V$, $T_A = -40C$ to $+85C$. Typical values are at $V_{CC} = 3.3V$, $T_A = +25^{\circ}C$.

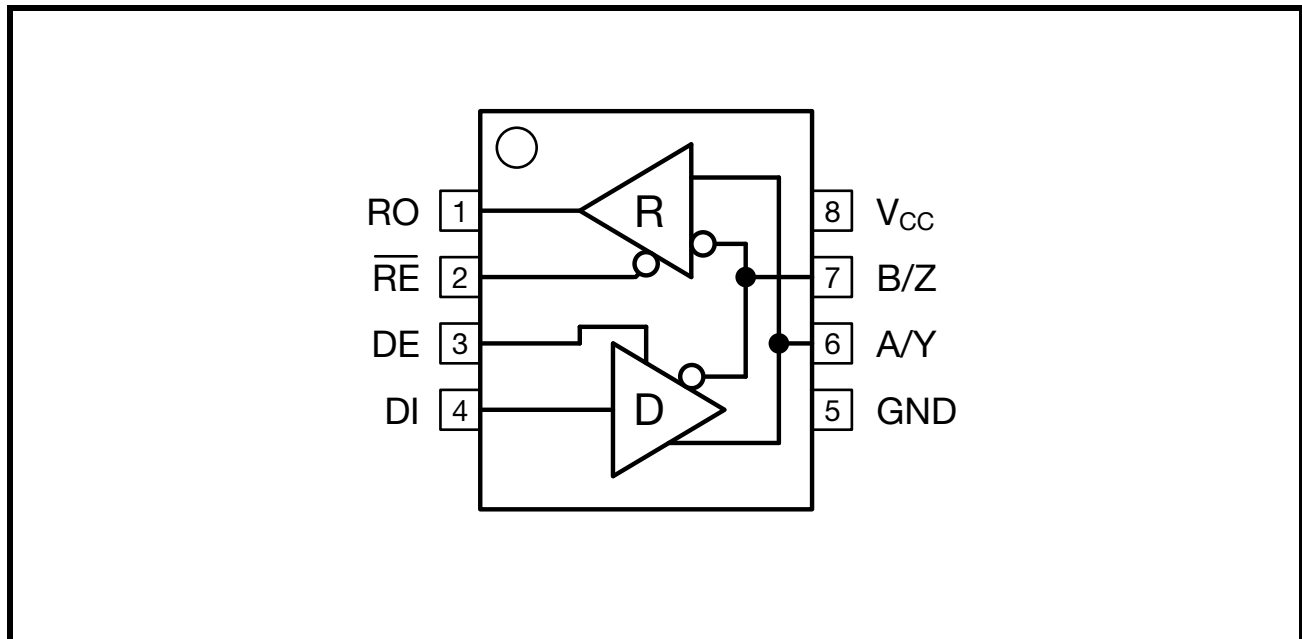
| SYMBOL | PARAMETERS | MIN. | TYP. | MAX. | UNITS | CONDITIONS |
|------------------------------------|--|------|------|------|-------|---|
| DRIVER AC CHARACTERISTICS | | | | | | XR33038 (10Mbps) |
| t_{DPLH} | Driver Prop. Delay (Low to High) | | | 30 | ns | $C_L = 50pF$, $R_L = 54\Omega$, Figure 6 |
| t_{DPHL} | Driver Prop. Delay (High to Low) | | | 30 | ns | |
| $ t_{DPLH} - t_{DPHL} $ | Differential Driver Output Skew | | | 5 | ns | |
| t_{DR} , t_{DF} | Driver Differential Output Rise or Fall Time | | | 25 | ns | |
| | Maximum Data Rate | 10 | | | Mbps | $1/t_{UI}$, Duty Cycle 40 to 60% |
| t_{DZH} | Driver Enable to Output High | | | 50 | ns | $C_L = 50pF$, $R_L = 500\Omega$, Figure 7 |
| t_{DZL} | Driver Enable to Output Low | | | 50 | ns | |
| t_{DZH} | Driver Disable from Output High | | | 50 | ns | |
| t_{DLZ} | Driver Disable from Output Low | | | 50 | ns | |
| $t_{DZH(SHDN)}$ | Driver Enable from Shutdown to Output High | | | 250 | ns | $C_L = 50pF$, $R_L = 500\Omega$, Figure 7 |
| $t_{DZL(SHDN)}$ | Driver Enable from Shutdown to Output Low | | | 250 | ns | |
| t_{SHDN} | Time to Shutdown | 50 | 200 | 600 | ns | Notes 3 |
| RECEIVER AC CHARACTERISTICS | | | | | | XR33038 (10Mbps) |
| t_{RPLH} | Receiver Prop. Delay (Low to High) | | | 50 | ns | $C_L = 15pF$, $V_{ID} = \pm 2V$, V_{ID} Rise and Fall times < 15ns Figure 8 |
| t_{RPHL} | Receiver Prop. Delay (High to Low) | | | 50 | ns | |
| $ t_{RPLH} - t_{RPHL} $ | Receiver Propagation Delay Skew | | | 5 | ns | |
| | Maximum Data Rate | 10 | | | Mbps | $1/t_{UI}$, Duty Cycle 40 to 60% |
| t_{RZH} | Receiver Enable to Output High | | | 50 | ns | $C_L = 15pF$, $R_L = 1k\Omega$, Figure 9 |
| t_{RZL} | Receiver Enable to Output Low | | | 50 | ns | |
| t_{RZH} | Receiver Disable from Output High | | | 50 | ns | |
| t_{RLZ} | Receiver Disable from Output Low | | | 50 | ns | |
| $t_{RZH(SHDN)}$ | Receiver Enable from Shutdown to Output High | | | 2200 | ns | $C_L = 15pF$, $R_L = 1k\Omega$, Figure 9 |
| $t_{RZL(SHDN)}$ | Receiver Enable from Shutdown to Output Low | | | 2200 | ns | |
| t_{SHDN} | Time to Shutdown | 50 | 200 | 600 | ns | Notes 3 |

NOTE:

1. Change in Magnitude of Differential Output Voltage and Change in Magnitude of Common Mode Output Voltage are the changes in output voltage when DI input changes state.
2. The hot swap feature disables the DE and \overline{RE} inputs for the first 10 μ s after power is applied. Following this time period these inputs are weakly pulled to their disabled state (low for DE, high for \overline{RE}) until the first transition, after which they become high impedance inputs.
3. The transceivers are put into shutdown by bringing \overline{RE} High and DE Low simultaneously for at least 600ns. If the control inputs are in this state for less than 50ns, the device is guaranteed to not enter shutdown. If the enable inputs are held in this state for at least 600ns the device is assured to be in shutdown. Note that the receiver and driver enable times increase significantly when coming out of shutdown.

BLOCK DIAGRAMS

FIGURE 1. HALF DUPLEX 8 NSOIC



TEST FIGURES

FIGURE 2. DIFFERENTIAL DRIVER OUTPUT VOLTAGE

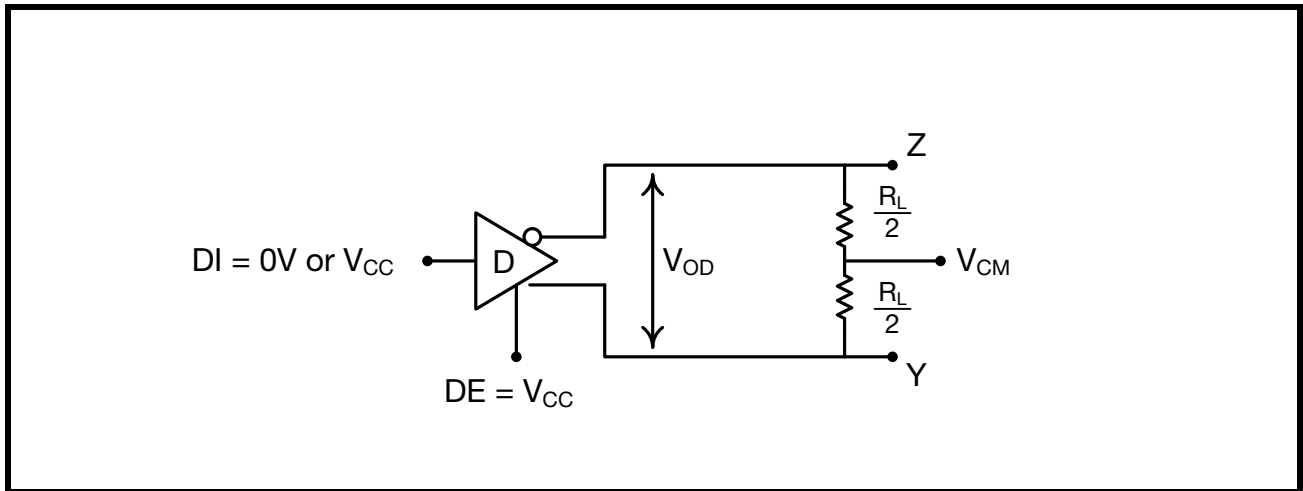


FIGURE 3. DIFFERENTIAL DRIVER OUTPUT VOLTAGE OVER COMMON MODE

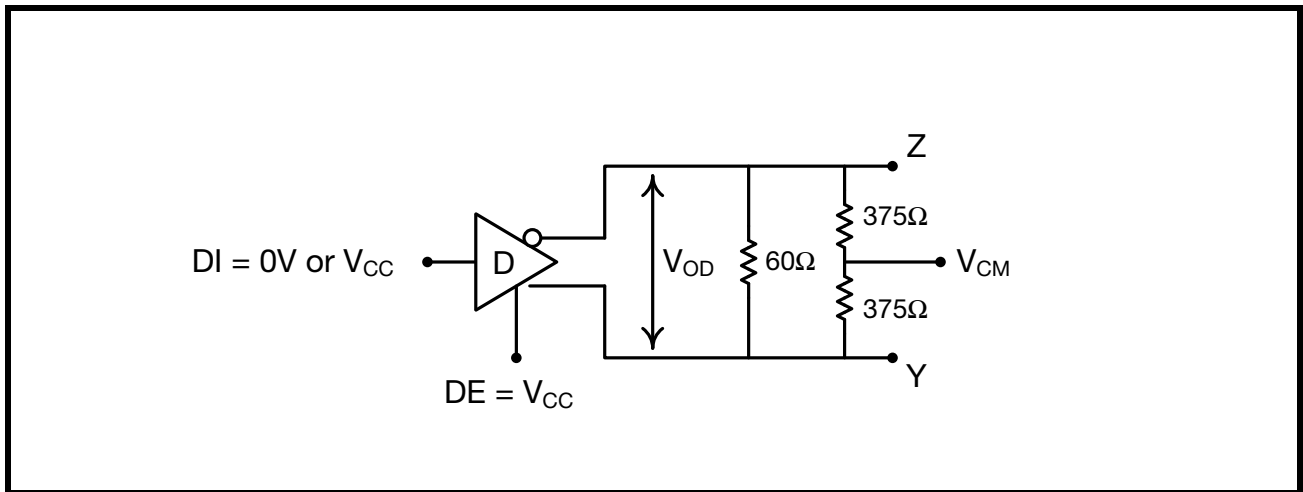


FIGURE 4. DRIVER OUTPUT SHORT CIRCUIT CURRENT

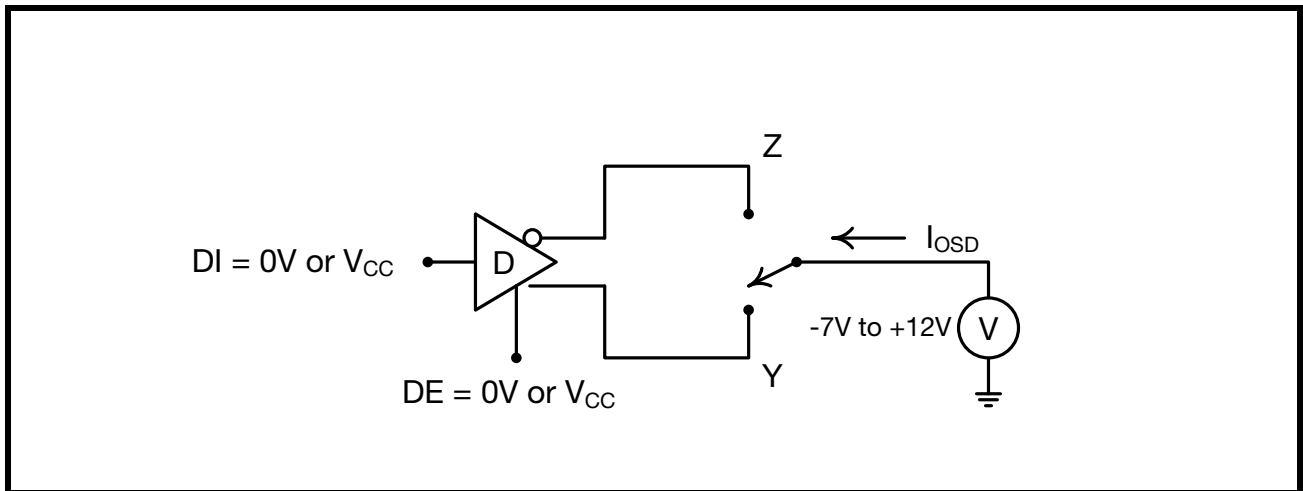


FIGURE 5. TRANSIENT OVER-VOLTAGE TEST CIRCUIT

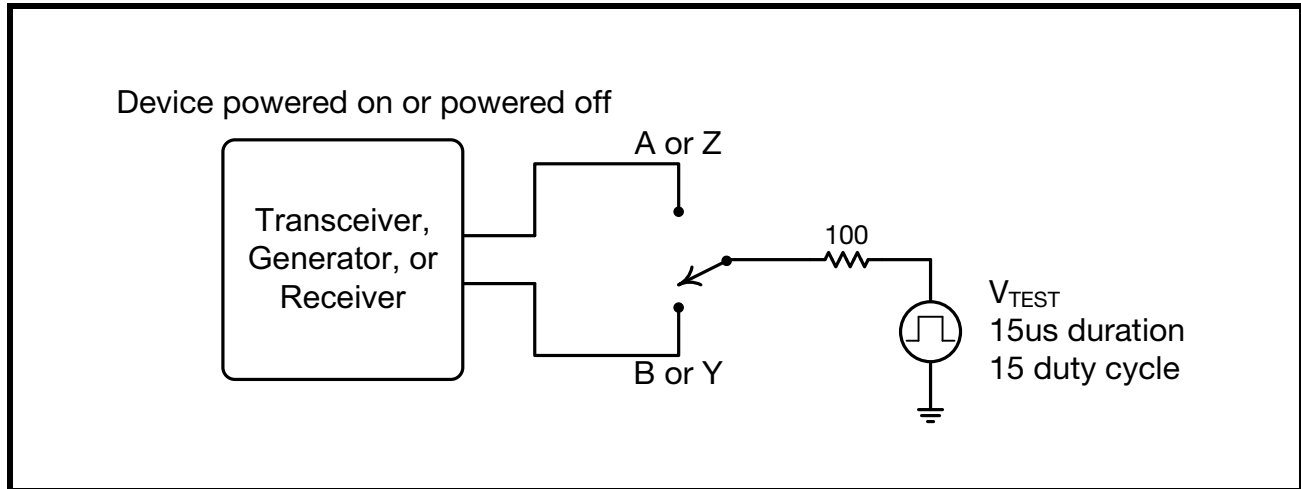


FIGURE 6. DRIVER PROPAGATION DELAY TEST CIRCUIT & TIMING DIAGRAM

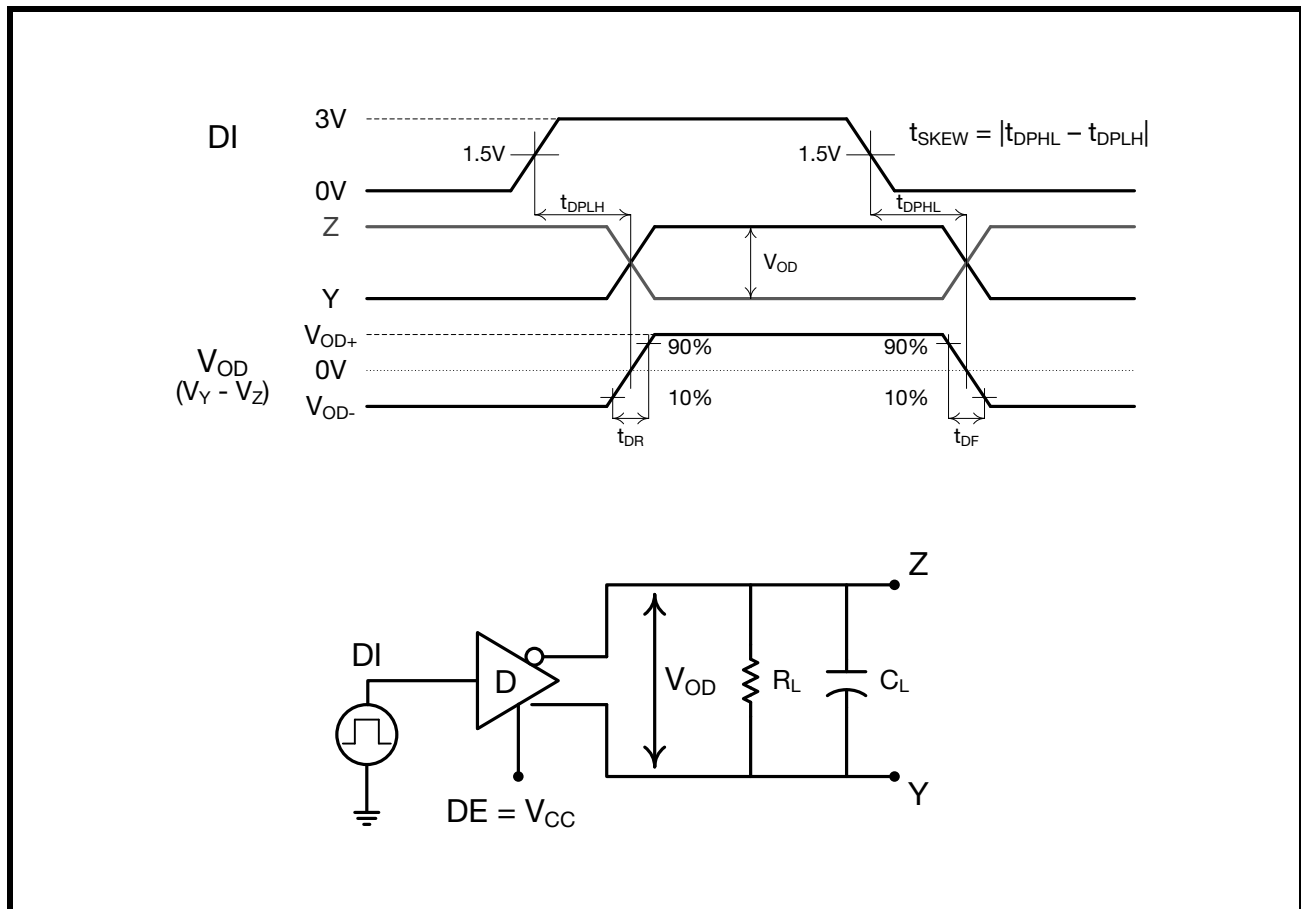


FIGURE 7. DRIVER ENABLE AND DISABLE TIMING TEST CIRCUITS & TIMING DIAGRAMS

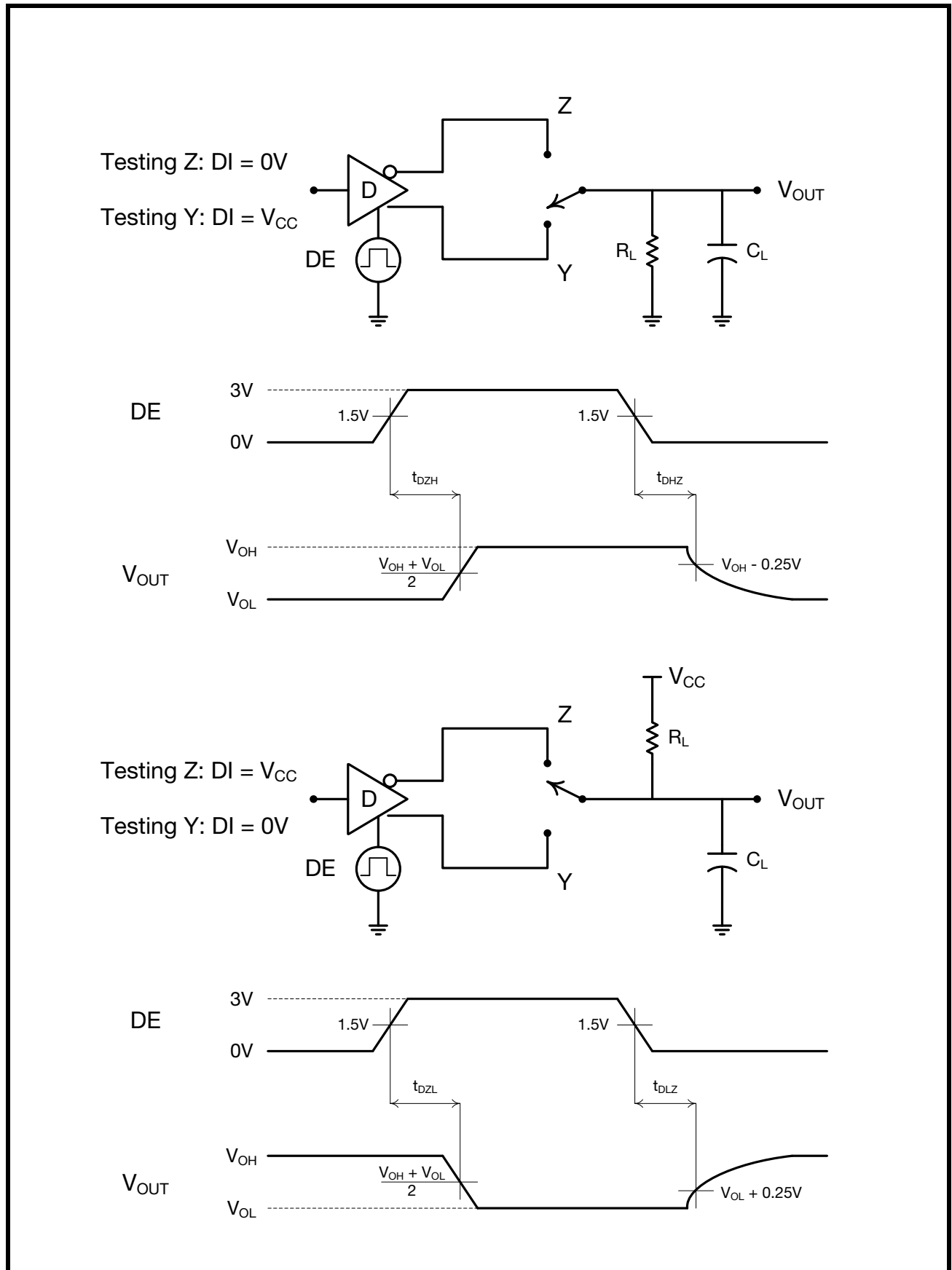


FIGURE 8. RECEIVER PROPAGATION DELAY TEST CIRCUIT & TIMING DIAGRAM

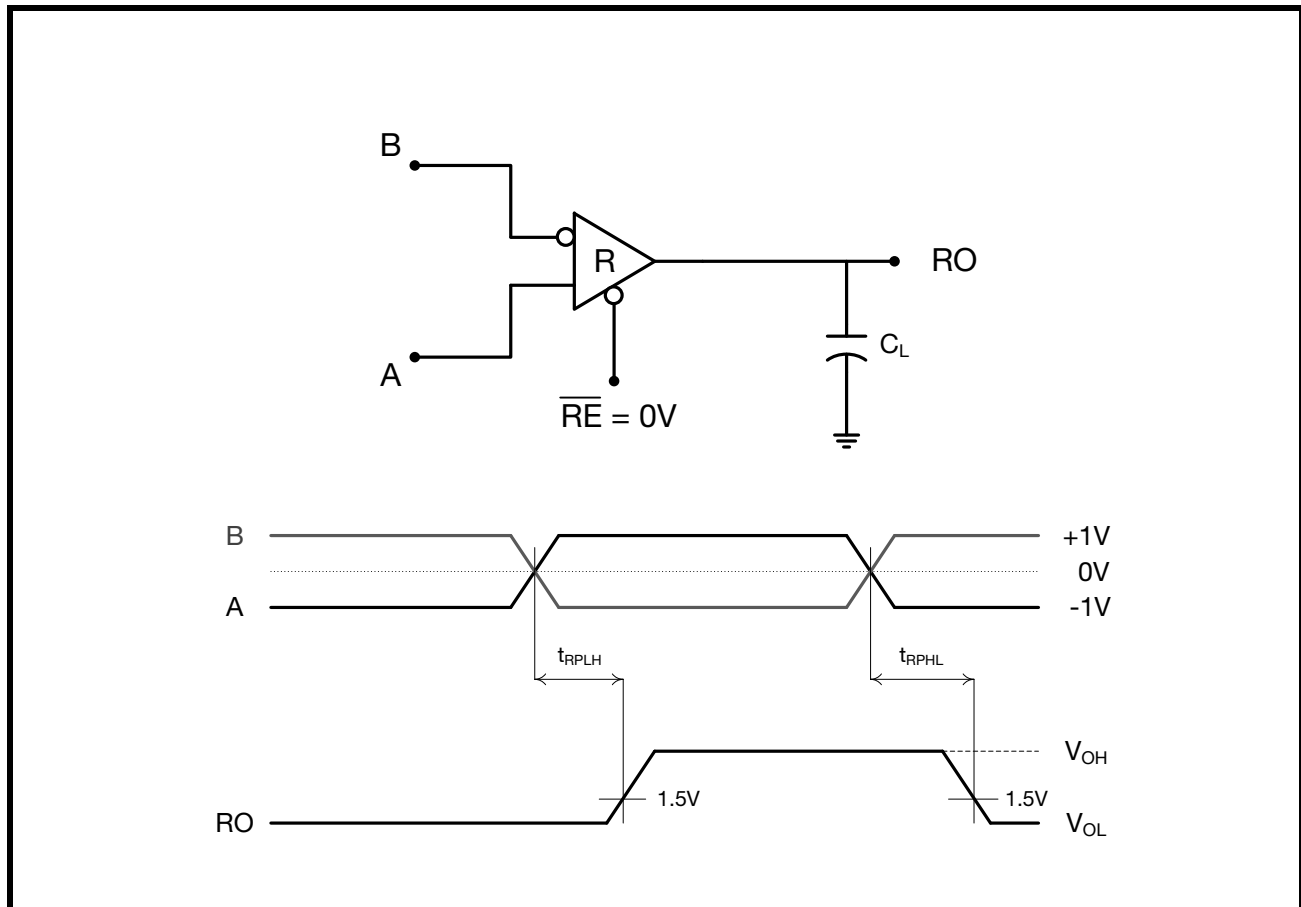
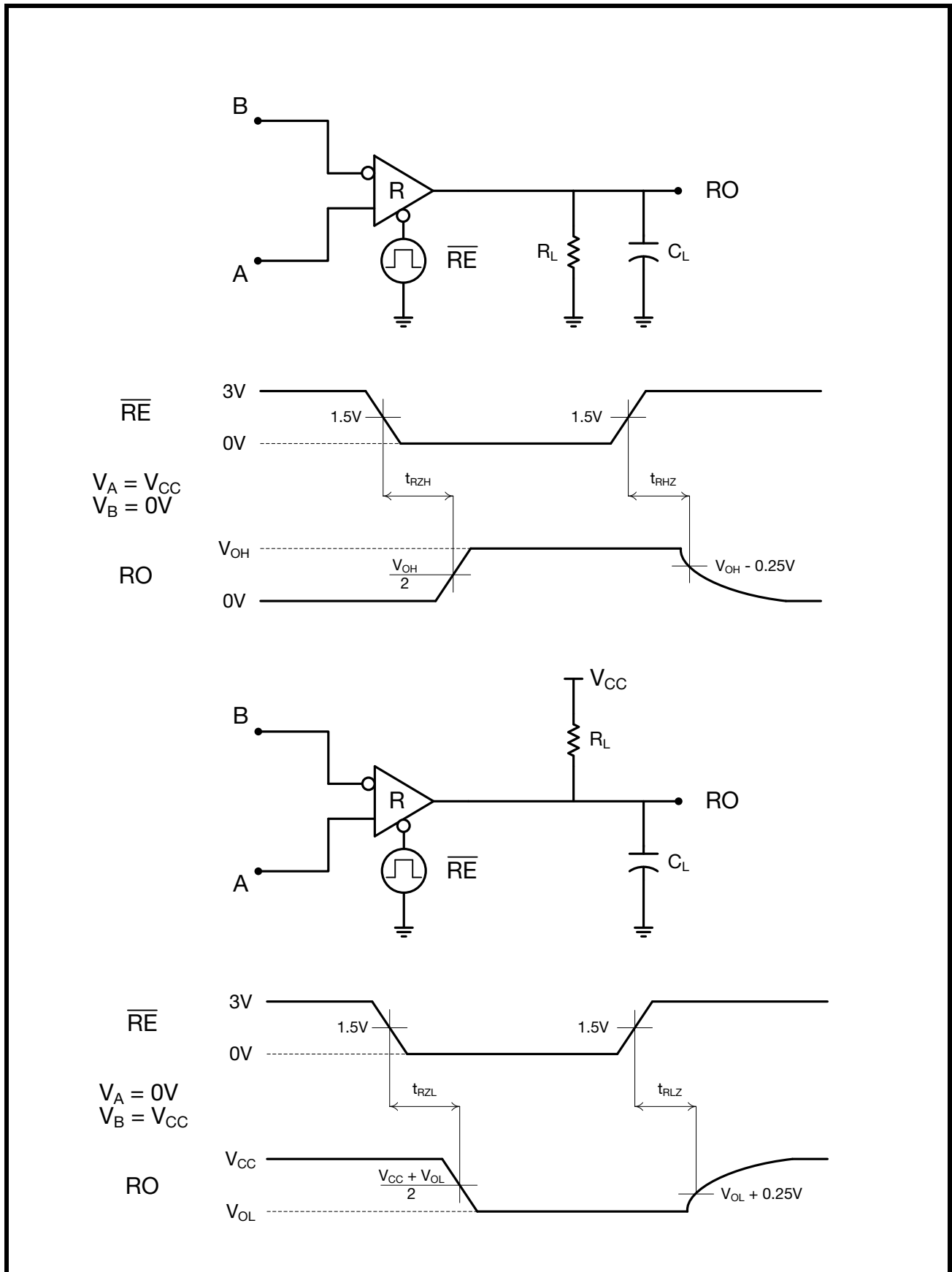


FIGURE 9. RECEIVER ENABLE AND DISABLE TEST CIRCUITS & TIMING DIAGRAMS



PIN DESCRIPTIONS

| PIN NUMBER | PIN NAME | TYPE | DESCRIPTION |
|------------|-----------------|------|--|
| 1 | RO | Out | Receiver Output. When \overline{RE} is low and if $(A-B) \geq -50\text{mV}$, RO is high. If $(A-B) \leq -200\text{mV}$, RO is Low. |
| 2 | \overline{RE} | In | Receiver Output Enable (Hot Swap). When \overline{RE} is low, RO is enabled. When \overline{RE} is High, RO is high impedance. When \overline{RE} is high and DE is low, shutdown mode is enabled. |
| 3 | DE | In | Driver Output Enable (Hot Swap). When DE is high, outputs are enabled. When DE is low, outputs are high impedance. When DE is low and \overline{RE} is high, shutdown mode is enabled. |
| 4 | DI | In | Driver Input. With DE high, a low level on DI forces non-Inverting output low and inverting output high. Similarly, a high level on DI forces non-Inverting output high and inverting output low. |
| 5 | GND | Pwr | Ground. |
| 6 | A | I/O | Non-Inverting Receiver Input and Non-Inverting Driver Output. |
| 7 | B | I/O | Inverting Receiver Input and Inverting Driver Output. |
| 8 | V_{CC} | Pwr | Power Supply Input. Bypass to ground with 0.1 μF capacitor. |

PRODUCT DESCRIPTION

The XR33032/35/38 RS-485/422 devices are part of Exar's high performance serial interface product line. The analog bus pins can survive direct shorts up to $\pm 18V$, and are protected against ESD events up to $\pm 15kV$.

ENHANCED FAILSAFE

Standard RS-485 differential receivers will be in an indeterminate state whenever the analog bus pins are not being driven. The enhanced failsafe feature of the XR33032/35/38 family guarantees a logic-high receiver output when the receiver inputs are open, shorted, or when they are connected to a terminated transmission line with all drivers disabled. In a terminated bus with all transmitters disabled, the receivers' differential input voltage is pulled to 0V by the termination. The XR33032/35/38 family interprets 0V differential as a logic high with a minimum 50mV noise margin while maintaining compliance with the EIA/TIA-485 standard of $\pm 200mV$. Although the XR33032/35/38 family does not need failsafe biasing resistors, it can operate without issue if biasing is used.

RECEIVER INPUT FILTERING

XR33032 and XR33035 receivers incorporate internal filtering in addition to input hysteresis. This filtering enhances noise immunity by ignoring signals that do not meet a minimum pulse width of 30ns. Receiver propagation delay increases slightly due to this filtering. The high speed XR33038 device does not have this input filtering.

HOT-SWAP CAPABILITY

When V_{CC} is first applied the driver enable and receiver enable (DE and \overline{RE}) are held inactive for approximately 10 microseconds. During power ramp-up other system ICs may drive unpredictable values, or tristated lines may be influenced by stray capacitance. The hot-swap feature prevents these devices from driving any output signal until power has stabilized. After the initial 10 μs , the driver and receiver enable pins are weakly pulled to their disabled states (low for DE, high for \overline{RE}) until the first transition. After the first transition, the DE and \overline{RE} pins operate as high impedance inputs.

If circuit boards are inserted into an energized backplane (commonly called "live insertion" or "hot-swap") power may suddenly be applied to all circuits. Without the hot-swap capability, this situation could improperly enable the transceiver's driver or receiver, driving invalid data onto shared busses and possibly causing driver contention or device damage.

DRIVER OUTPUT PROTECTION

Two mechanisms prevent excessive output current and power dissipation caused by faults or by bus contention. First, a driver current limit on the output stage provides immediate protection against short circuits over the whole common-mode voltage range. Second, a thermal-shutdown circuit forces the driver outputs into a high-impedance state if junction temperature becomes excessive.

LINE LENGTH and TERMINATIONS

The RS-485/RS-422 standard covers line lengths up to 4000ft. Maximum achievable line length is a function of the data rate, cable characteristics and environmental noise. Termination prevents signal reflections by eliminating the impedance mismatches on a transmission line. Line termination is generally used if rise and fall times are shorter than the round-trip signal propagation time. Higher supply voltage will allow longer cables to be used.

±15kV ESD PROTECTION

ESD protection structures are incorporated on all pins to protect against electrostatic discharges encountered during handling, assembly and operation. The driver outputs and receiver inputs of the XR33032/35/38 have extra protection against static electricity. Exar uses state of the art structures to protect these pins against ESD of ±15kV without damage. The ESD structures withstand high ESD in all states: normal operation, shutdown and powered down. After an ESD event, the XR33032/35/38 keep operating without latch-up or damage.

ESD protection can be tested in various ways. The transmitter outputs and receiver inputs of the XR33032/35/38 are characterized for protection to the following limits:

- ±15kV using the Human Body Model
- ± 8kV Contact Discharge Model
- ±15kV Air-gap Discharge Model

IEC 61000-4-2

The IEC 61000-4-2 standard covers ESD testing and performance of finished equipment. However, it does not specifically refer to integrated circuits. The XR33032/35/38 family helps you design equipment to meet IEC 61000-4-2, without sacrificing board-space and cost for external ESD-protection components.

The major differences between tests done using the Human body model and IEC 61000-4-2 is a higher peak current in IEC 61000-4-2. Series resistance is lower in the IEC 61000-4-2 model. Hence, the ESD withstand voltage measured to IEC 61000-4-2 is generally lower than that of human body model.

The air-gap test involves approaching the device with a charged probe. The contact discharge method connects the probe to the device before the probe is energized.

256 TRANSCEIVERS ON THE BUS

The standard RS-485 receiver input impedance is 12k Ohms (1 unit load). A standard driver can drive up to 32 unit loads. The XR33032/35/38 transceivers have a 1/8th unit load receiver input impedance of 96kΩ, allowing up to 256 transceivers to be connected in parallel on a communication line. Any combination of these devices and other RS-485 transceivers up to a total of 32 unit loads may be connected to the line.

LOW POWER SHUTDOWN MODE

Low-power shutdown mode is initiated by bringing both \overline{RE} high and DE low simultaneously. While in shutdown devices draw less than 1μA of supply current. DE and \overline{RE} may be tied together and driven by a single control signal. Devices are guaranteed not to enter shutdown if \overline{RE} is high and DE is low for less than 50ns. If the inputs are in this state for at least 600ns, the parts will enter shutdown.

Enable times t_{ZH} and t_{ZL} apply when the part is not in low-power shutdown state. Enable times $t_{ZH(SHDN)}$ and $t_{ZL(SHDN)}$ apply when the parts are shutdown. The drivers and receivers take longer to become enabled from low-power shutdown $t_{ZH(SHDN)}$ and $t_{ZL(SHDN)}$ than from driver / receiver disable mode (t_{ZH} and t_{ZL}).

FUNCTION TABLES

TABLE 1: HALF DUPLEX 8 PIN

| TRANSMITTING | | | | |
|-----------------|----|----|----------|---|
| Inputs | | | Outputs | |
| \overline{RE} | DE | DI | A | B |
| X | 1 | 1 | 1 | 0 |
| X | 1 | 0 | 0 | 1 |
| 0 | 0 | X | High-Z | |
| 1 | 0 | X | Shutdown | |

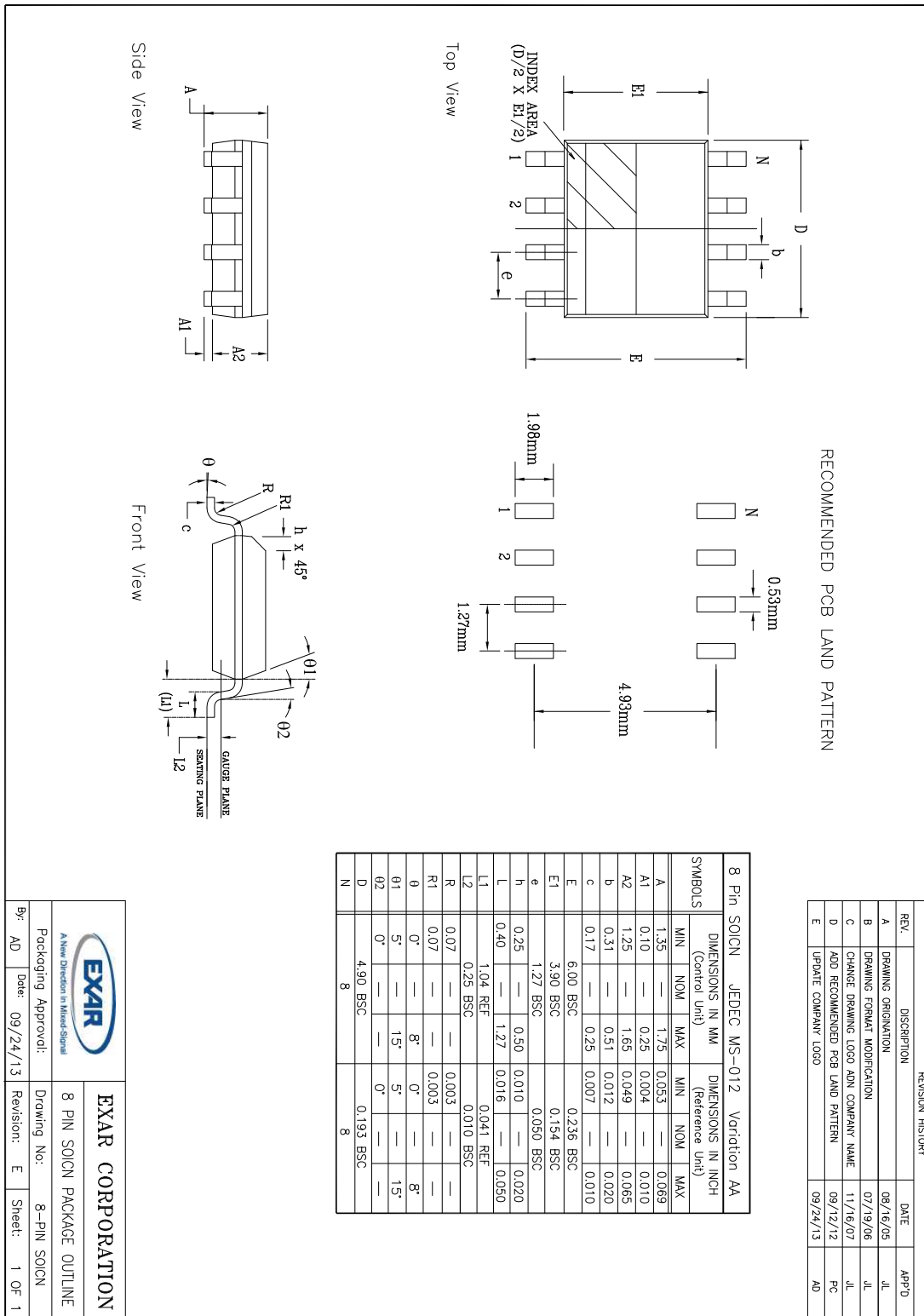
TABLE 2: HALF DUPLEX 8 PIN

| RECEIVING | | | |
|-----------------|----|---------------|----------|
| Inputs | | | Output |
| \overline{RE} | DE | $V_A - V_B$ | RO |
| 0 | X | $\geq -50mV$ | 1 |
| 0 | X | $\leq -200mV$ | 0 |
| 0 | X | Open/Shorted | 1 |
| 1 | 1 | X | High-Z |
| 1 | 0 | X | Shutdown |


Note: Receiver inputs $-200mV \leq V_A - V_B \leq -50mV$ are considered indeterminate.

PACKAGE DRAWINGS

FIGURE 10. 8 NSOIC



| REVISION HISTORY | | | |
|------------------|--------------------------------------|----------|-------|
| REV. | DESCRIPTION | DATE | APP'D |
| A | DRAWING ORIGINATOR | 08/16/05 | JL |
| B | DRAWING FORMAT MODIFICATION | 07/19/06 | JL |
| C | CHANGE DRAWING LOGO AND COMPANY NAME | 11/16/07 | JL |
| D | ADD RECOMMENDED PCB LAND PATTERN | 09/12/12 | PC |
| E | UPDATE COMPANY LOGO | 09/24/13 | AD |

| | | | |
|--|----------------|--------------------------------|-------------|
|  <p>A New Direction in Mixed-Signal</p> | | <p>EXAR CORPORATION</p> | |
| Packaging Approval: | | Drawing No.: | |
| By: AD | Date: 09/24/13 | E | 8-PIN SOICN |
| Revision: E | | Sheet: 1 OF 1 | |

REVISION HISTORY

| DATE | REVISION | DESCRIPTION |
|---------------|----------|-------------------------------|
| February 2014 | 1.0.0 | Initial release [ECN 1411-03] |
| | | |

NOTICE

EXAR Corporation reserves the right to make changes to the products contained in this publication in order to improve design, performance or reliability. EXAR Corporation assumes no responsibility for the use of any circuits described herein, conveys no license under any patent or other right, and makes no representation that the circuits are free of patent infringement. Charts and schedules contained here in are only for illustration purposes and may vary depending upon a user's specific application. While the information in this publication has been carefully checked; no responsibility, however, is assumed for inaccuracies.

EXAR Corporation does not recommend the use of any of its products in life support applications where the failure or malfunction of the product can reasonably be expected to cause failure of the life support system or to significantly affect its safety or effectiveness. Products are not authorized for use in such applications unless EXAR Corporation receives, in writing, assurances to its satisfaction that: (a) the risk of injury or damage has been minimized; (b) the user assumes all such risks; (c) potential liability of EXAR Corporation is adequately protected under the circumstances.

Copyright 2014 EXAR Corporation

Datasheet February 2014.

For technical support please email Exar's Serial Technical Support group at: serialtechsupport@exar.com.

Reproduction, in part or whole, without the prior written consent of EXAR Corporation is prohibited.

Компания «Океан Электроники» предлагает заключение долгосрочных отношений при поставках импортных электронных компонентов на взаимовыгодных условиях!

Наши преимущества:

- Поставка оригинальных импортных электронных компонентов напрямую с производств Америки, Европы и Азии, а так же с крупнейших складов мира;
- Широкая линейка поставок активных и пассивных импортных электронных компонентов (более 30 млн. наименований);
- Поставка сложных, дефицитных, либо снятых с производства позиций;
- Оперативные сроки поставки под заказ (от 5 рабочих дней);
- Экспресс доставка в любую точку России;
- Помощь Конструкторского Отдела и консультации квалифицированных инженеров;
- Техническая поддержка проекта, помощь в подборе аналогов, поставка прототипов;
- Поставка электронных компонентов под контролем ВП;
- Система менеджмента качества сертифицирована по Международному стандарту ISO 9001;
- При необходимости вся продукция военного и аэрокосмического назначения проходит испытания и сертификацию в лаборатории (по согласованию с заказчиком);
- Поставка специализированных компонентов военного и аэрокосмического уровня качества (Xilinx, Altera, Analog Devices, Intersil, Interpoint, Microsemi, Actel, Aeroflex, Peregrine, VPT, Syfer, Eurofarad, Texas Instruments, MS Kennedy, Miteq, Cobham, E2V, MA-COM, Hittite, Mini-Circuits, General Dynamics и др.);

Компания «Океан Электроники» является официальным дистрибьютором и эксклюзивным представителем в России одного из крупнейших производителей разъемов военного и аэрокосмического назначения «JONHON», а так же официальным дистрибьютором и эксклюзивным представителем в России производителя высокотехнологичных и надежных решений для передачи СВЧ сигналов «FORSTAR».



JONHON

«JONHON» (основан в 1970 г.)

Разъемы специального, военного и аэрокосмического назначения:

(Применяются в военной, авиационной, аэрокосмической, морской, железнодорожной, горно- и нефтедобывающей отраслях промышленности)

«FORSTAR» (основан в 1998 г.)

ВЧ соединители, коаксиальные кабели,
кабельные сборки и микроволновые компоненты:

(Применяются в телекоммуникациях гражданского и специального назначения, в средствах связи, РЛС, а так же военной, авиационной и аэрокосмической отраслях промышленности).



Телефон: 8 (812) 309-75-97 (многоканальный)

Факс: 8 (812) 320-03-32

Электронная почта: ocean@oceanchips.ru

Web: <http://oceanchips.ru/>

Адрес: 198099, г. Санкт-Петербург, ул. Калинина, д. 2, корп. 4, лит. А