

PLEASE CHECK WWW.MOLEX.COM FOR LATEST PART INFORMATION

Part Number: [0877751011](#)
Status: **Active**
Description: 1.00mm (.039") Pitch DDR2 DIMM Socket, Through Hole, 0.76µm (30µ") Gold (Au), 3.18mm (0.125") Solder tail, 276 Circuits, Lead free

Documents:

[3D Model](#) [Product Specification PS-87775-018 \(PDF\)](#)
[Drawing \(PDF\)](#) [RoHS Certificate of Compliance \(PDF\)](#)

General

Product Family	Memory Module Sockets
Series	87775
Component Type	Socket
JEDEC Outline	N/A
Product Name	DDR2 DIMM

Physical

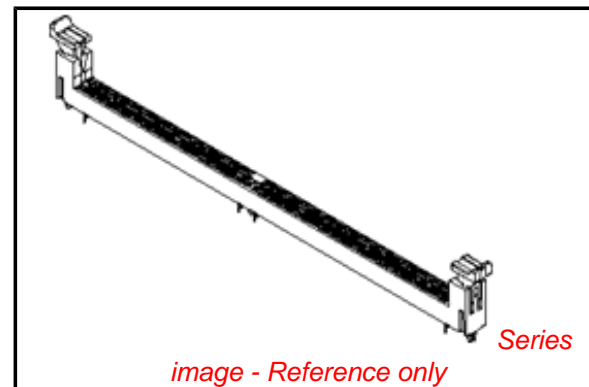
Circuits (Loaded)	276
Circuits (maximum)	276
Color - Resin	Black, Natural
Durability (mating cycles max)	25
Entry Angle	Vertical (Top Entry)
Function Key	None
Keying to Mating Part	Yes
Material - Metal	Brass, Phosphor Bronze
Material - Plating Mating	Gold
Material - Plating Termination	Tin
Material - Resin	High Temperature Thermoplastic
PC Tail Length (in)	0.125 In
PC Tail Length (mm)	3.18 mm
PCB Locator	Yes
PCB Retention	Yes
PCB Thickness Recommended (in)	0.093 In
PCB Thickness Recommended (mm)	2.36 mm
Packaging Type	Tray
Pitch - Mating Interface (in)	0.039 In
Pitch - Mating Interface (mm)	1.00 mm
Pitch - Term. Interface (in)	0.039 In
Pitch - Term. Interface (mm)	1.00 mm
Plating min: Mating (µin)	30.4
Plating min: Mating (µm)	0.76
Plating min: Termination (µin)	101.6
Plating min: Termination (µm)	2.54
Temperature Range - Operating	-55°C to +85°C
Termination Interface: Style	Through Hole

Electrical

Current - Maximum per Contact	0.5A
Voltage - Maximum	30V AC (RMS)/DC
Voltage Key	Center

Solder Process Data

Duration at Max. Process Temperature (seconds)	5
Lead-free Process Capability	SMC & Wave Capable (TH only)
Max. Cycles at Max. Process Temperature	1
Process Temperature max. C	260



EU RoHS

**ELV and RoHS
Compliant**
**REACH SVHC
Contains SVHC: No**
**Halogen-Free
Status
Not Reviewed**

China RoHS



**Need more information on product
environmental compliance?**

Email productcompliance@molex.com
 For a multiple part number RoHS Certificate of Compliance, [click here](#)

Please visit the [Contact Us](#) section for any non-product compliance questions.

Search Parts in this Series
[87775Series](#)

Material Info

Reference - Drawing Numbers

Packaging Specification

Product Specification

Sales Drawing

PK-87775-001

PS-87775-018, RPS-87775-020

SD-87775-002

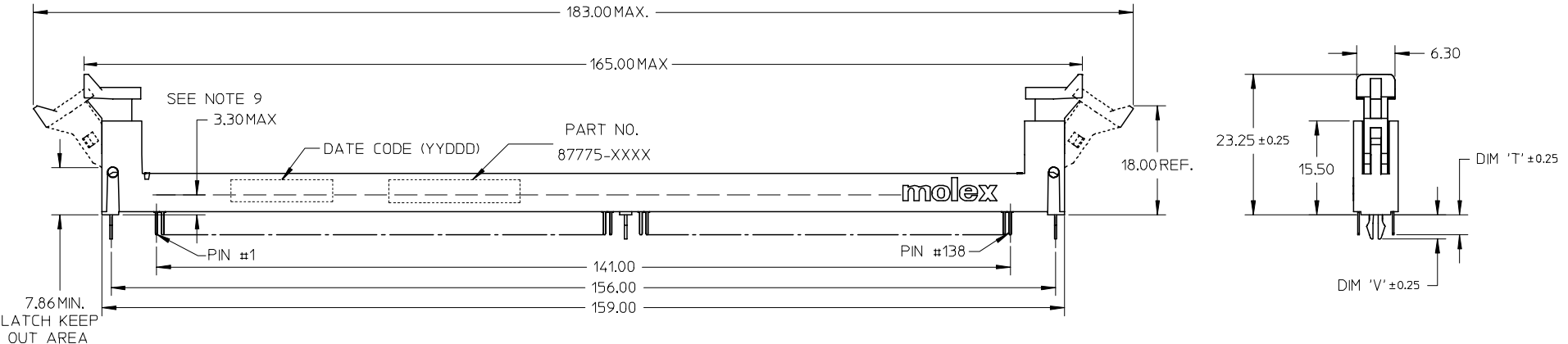
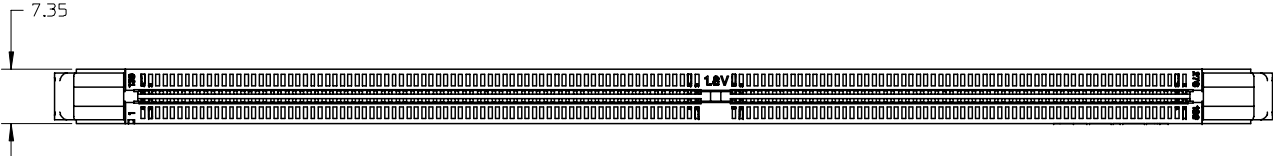
This document was generated on 05/27/2010

PLEASE CHECK WWW.MOLEX.COM FOR LATEST PART INFORMATION

10 9 8 7 6 5 4 3 2 1

NOTES:

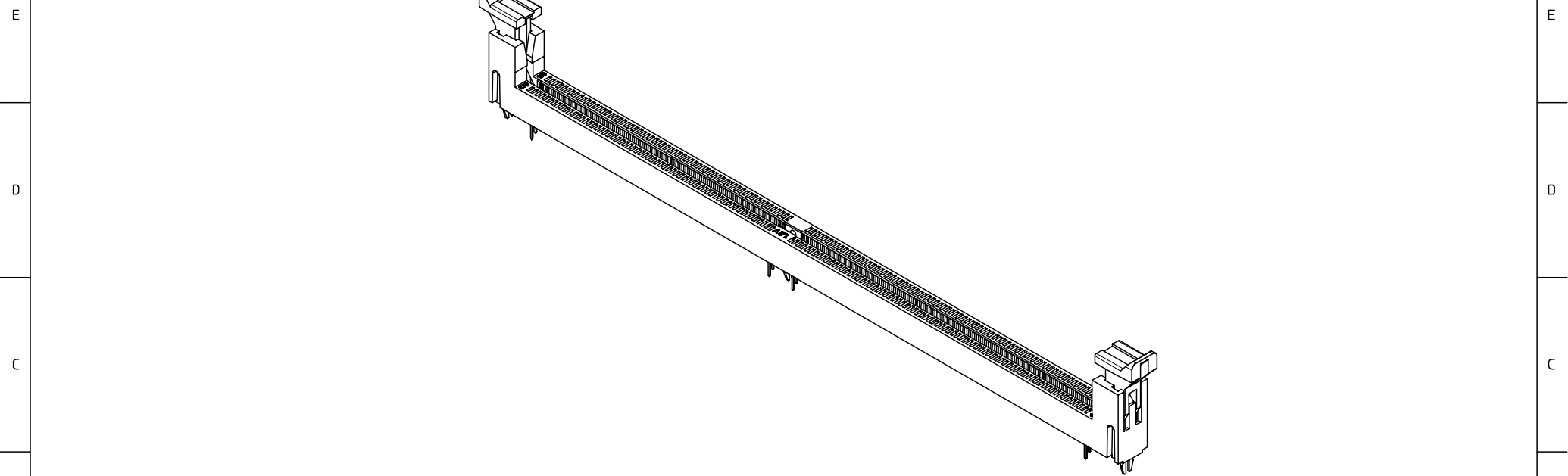
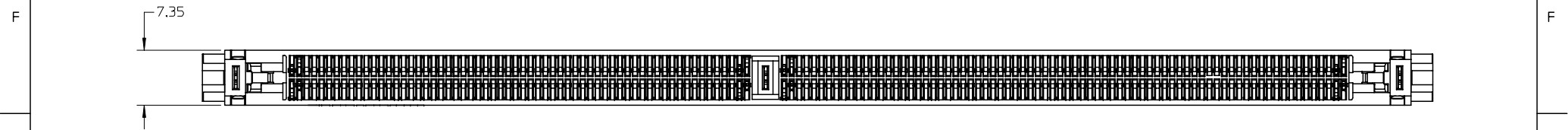
1. MATERIALS
 - HOUSING - HIGH TEMP. NYLON GLASS FILLED, UL 94V-0, COLOR: BLACK
 - EJECTORS - HIGH TEMP. NYLON GLASS FILLED, UL 94V-0, COLOR: NATURAL (OFF WHITE)
 - TERMINALS - COPPER ALLOY
2. PLATING - SEE TABLE IN SHEET 5.
3. CARD SLOT ACCEPTS 1.27±0.10MM MODULE THICKNESS. (MEASURED OVER P.C. PADS)
4. RECOMMENDED MODULE LAYOUT SHALL BE AS PER SHEET 3.
5. REFER TO PRODUCT SPEC. PS-87775-018 FOR PERFORMANCE SPECIFICATIONS.
6. PRODUCT IS PACKED IN TRAYS. REFER TO SHEET 6.
7. PRODUCT WILL HAVE DATE STAMPED ON SIDE OF HOUSING.
8. THE KEEP OUT AREA IS THE AREA WHERE THE CONNECTOR IS MOUNTED ONTO THE PCB THAT DOES NOT INCLUDE THE LATCH.
9. DIMM MODULE SEATING PLANE FROM TOP OF PCB.



UPDATE HSG VIEW EC NO: S2007-1012 DRWN:CMTEO CHKD:CTEHE APPR:SHLENI	2007/05/21 2007/05/21 2007/05/21	QUALITY SYMBOLS ▽=0 ◻=0	GENERAL TOLERANCES (UNLESS SPECIFIED)		DIMENSION STYLE MM ONLY		SCALE NTS	DESIGN UNITS METRIC	THIRD ANGLE PROJECTION		
			4 PLACES ± --- ± ---	DRAWN BY CMTEO		DATE 2007/02/23	TITLE DDR2 DIMM, 1.00MM PITCH 276 CKTS, VERTICAL T/H FORK-LOCK				
			3 PLACES ± --- ± ---	CHECKED BY CTEHE		DATE 2007/04/03					
			2 PLACES ± 0.20 ± ---	APPROVED BY SHLENI		DATE 2007/04/03	MOLEX INCORPORATED DOCUMENT NO. SD-87775-002 SHEET NO. 1 OF 6				
		1 PLACE ± --- ± ---	MATERIAL NO.								
A1		REV	DRAFT WHERE APPLICABLE MUST REMAIN WITHIN DIMENSIONS		SEE TABLE						

9 8 7 6 5 4 3 2 1

10 9 8 7 6 5 4 3 2 1



B B

A A

UPDATE HSG VIEW	2007/05/21
EC NO: S2007-1012	2007/05/21
DRWN:CMTEO	2007/05/21
CHKD:CCTEH	2007/05/21
APPR:SHLENI	2007/05/21
REV	DESCRIPTION
A1	

QUALITY SYMBOLS	$\nabla=0$
	$\nabla C=0$

GENERAL TOLERANCES (UNLESS SPECIFIED)		
	mm	INCH
4 PLACES	\pm ---	\pm ---
3 PLACES	\pm ---	\pm ---
2 PLACES	\pm 0.20	\pm ---
1 PLACE	\pm ---	\pm ---
ANGULAR \pm 5 °		
DRAFT WHERE APPLICABLE MUST REMAIN WITHIN DIMENSIONS		

DIMENSION STYLE	
MM ONLY	
DRAWN BY	DATE
CMTEO	2007/02/23
CHECKED BY	DATE
CCTEH	2007/04/03
APPROVED BY	DATE
SHLENI	2007/04/03
MATERIAL NO.	
SEE TABLE	
SIZE	
A3	

SCALE	DESIGN UNITS	THIRD ANGLE PROJECTION
NTS	METRIC	
TITLE		
DDR2 DIMM, 1.00MM PITCH 276 CKTS, VERTICAL T/H FORK-LOCK		
MOLEX INCORPORATED		
DOCUMENT NO.	SHEET NO.	
SD-87775-002	2 OF 6	
THIS DRAWING CONTAINS INFORMATION THAT IS PROPRIETARY TO MOLEX INCORPORATED AND SHOULD NOT BE USED WITHOUT WRITTEN PERMISSION		

9 8 7 6 5 4 3 2 1

10 9 8 7 6 5 4 3 2 1

F

E

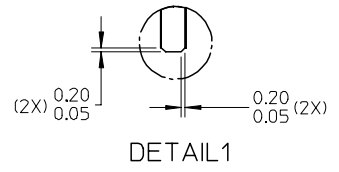
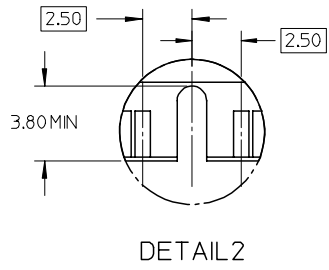
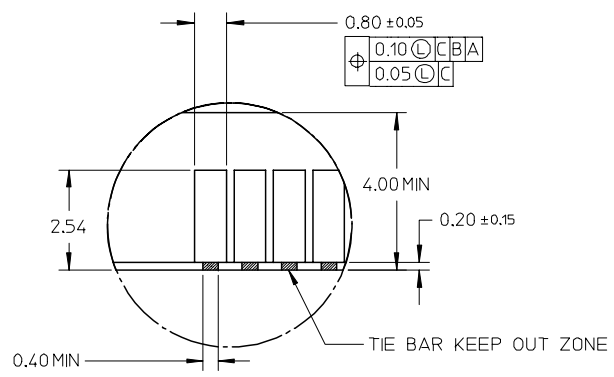
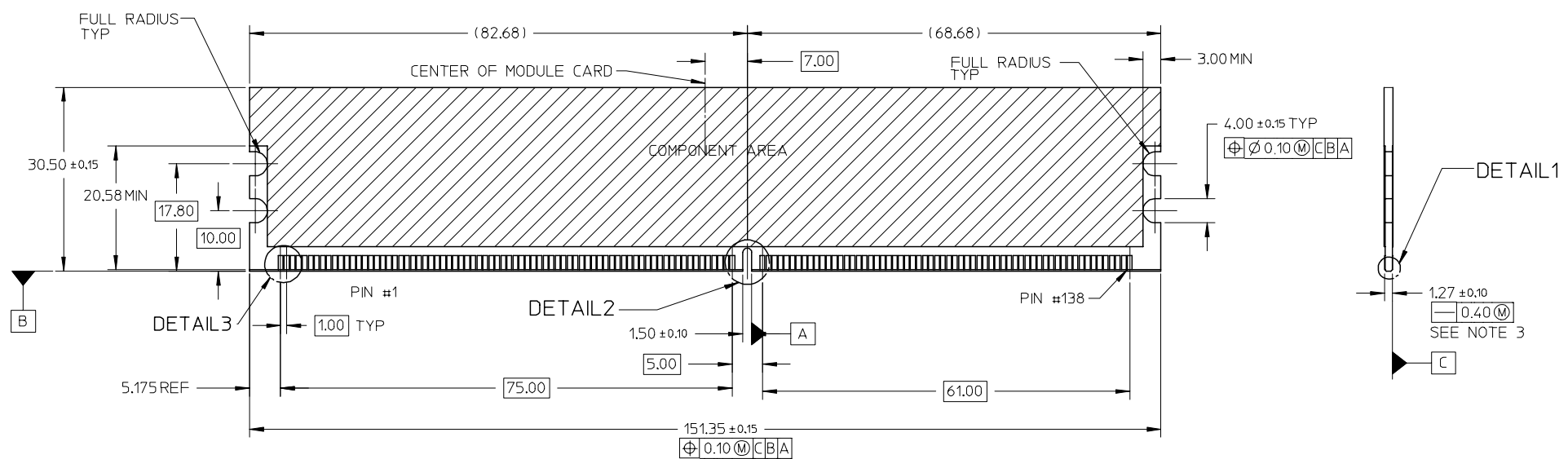
D

C

B

A

RECOMMENDED MODULE LAYOUT



NOTES:
1. MODULE CARD USED FOR TESTS ARE WITH 0.10MM CHAMFER.

UPDATE HSG VIEW EC NO: S2007-1012 DRWN: CMTEO CHKD: CCTEH APPR: SHLENI	2007/05/21 2007/05/21 2007/05/21	QUALITY SYMBOLS ▽=0 ▽=0	GENERAL TOLERANCES (UNLESS SPECIFIED) mm INCH 4 PLACES ± --- ± --- 3 PLACES ± --- ± --- 2 PLACES ± 0.20 ± --- 1 PLACE ± --- ± --- ANGULAR ± 5 °	DIMENSION STYLE MM ONLY DRAWN BY DATE CMTEO 2007/02/23 CHECKED BY DATE CCTEH 2007/04/03 APPROVED BY DATE SHLENI 2007/04/03	SCALE NTS DESIGN UNITS METRIC THIRD ANGLE PROJECTION	TITLE DDR2 DIMM, 100MM PITCH 276 CKTS, VERTICAL T/H FORK-LOCK MOLEX MOLEX INCORPORATED
	DESCRIPTION A1	DRAFT WHERE APPLICABLE MUST REMAIN WITHIN DIMENSIONS	MATERIAL NO. SEE TABLE	DOCUMENT NO. SD-87775-002	SHEET NO. 3 OF 6	
	SIZE A3	THIS DRAWING CONTAINS INFORMATION THAT IS PROPRIETARY TO MOLEX INCORPORATED AND SHOULD NOT BE USED WITHOUT WRITTEN PERMISSION				

9 8 7 6 5 4 3 2 1

10 9 8 7 6 5 4 3 2 1

F

F

E

E

D

D

C

C

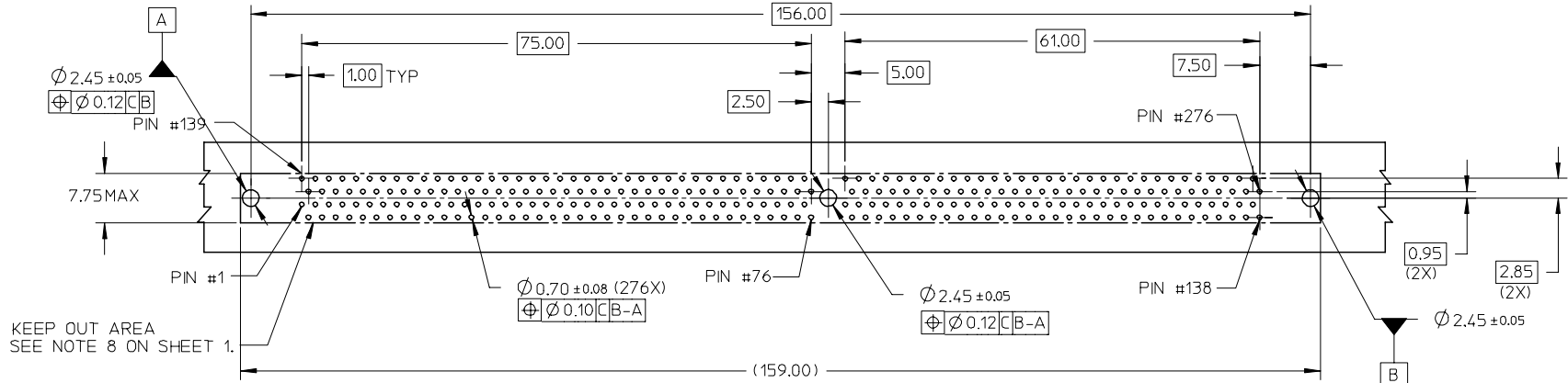
B

B

A

A

RECOMMENDED PCB LAYOUT
CONNECTOR SIDE
(SEE RECOMMENDED PCB THICKNESS IN TABLE)



KEEP OUT AREA
SEE NOTE 8 ON SHEET 1.

UPDATE HSG VIEW EC NO: S2007-1012 DRWN: CMTEO CHKD: CCTEH APPR: SHLENI	2007/05/21 2007/05/21 2007/05/21	QUALITY SYMBOLS ▽=0 ▽=0	GENERAL TOLERANCES (UNLESS SPECIFIED)		DIMENSION STYLE MM ONLY		SCALE NTS	DESIGN UNITS METRIC	THIRD ANGLE PROJECTION			
			4 PLACES ± --- ± --- 3 PLACES ± --- ± --- 2 PLACES ± 0.20 ± --- 1 PLACE ± --- ± ---	mm INCH	DRAWN BY CMTEO	DATE 2007/02/23	TITLE DDR2 DIMM, 100MM PITCH 276 CKTS, VERTICAL T/H FORK-LOCK					
			ANGULAR ± 5 °			CHECKED BY CCTEH	DATE 2007/04/03	MOLEX INCORPORATED				
			DRAFT WHERE APPLICABLE MUST REMAIN WITHIN DIMENSIONS			APPROVED BY SHLENI	DATE 2007/04/03	DOCUMENT NO. SD-87775-002	SHEET NO. 4 OF 6			

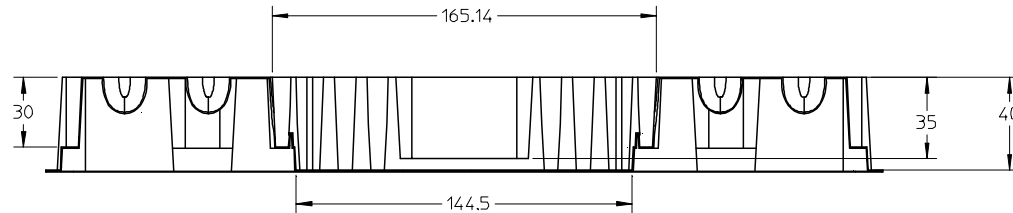
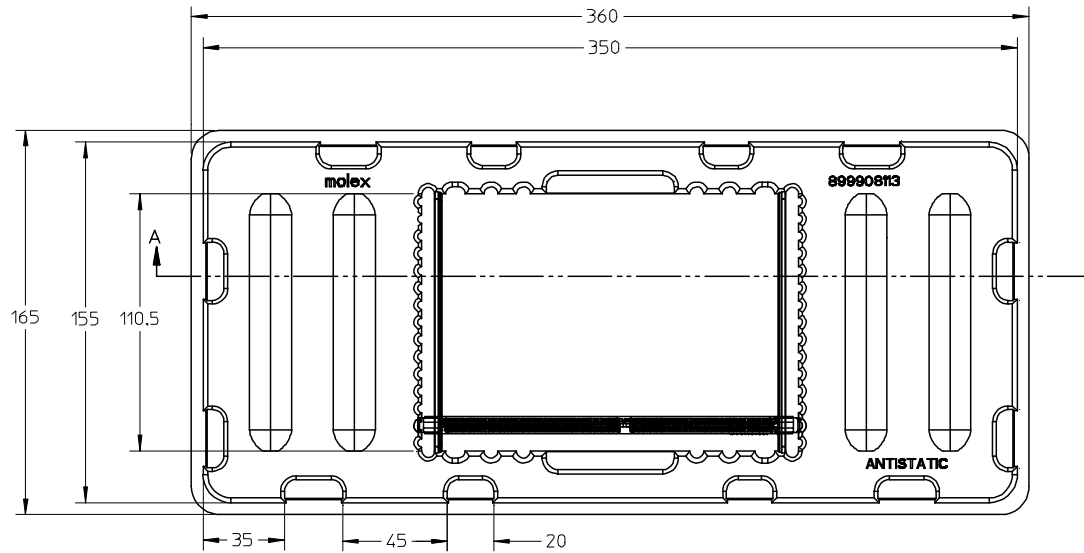
9 8 7 6 5 4 3 2 1

10 9 8 7 6 5 4 3 2 1

PART NO	KEY POS.	DIM 'T'	DIM 'V'	RECOMMENDED PCB THICKNESS	PLATING
87775-1001	CENTER	2.67	3.94	1.57	0.76μM/ 30μIN MIN. GOLD ON CONTACT, 2.54μM/ 100μIN MIN. TIN ON SOLDERTAILS 1.27μM/50μIN MIN. NICKEL UNDERPLATE
87775-1011		3.18		2.36	
87775-1101		4.00	4.42	3.00	

UPDATE HSG VIEW EC NO: S2007-1012 DRWN:CMTEO CHKD:CCTEH APPR:SHLENI	2007/05/21 2007/05/21 2007/05/21	QUALITY SYMBOLS ▽=0 ◻=0	GENERAL TOLERANCES (UNLESS SPECIFIED)		DIMENSION STYLE MM ONLY		SCALE NTS	DESIGN UNITS METRIC	THIRD ANGLE PROJECTION		
			4 PLACES ± --- ± ---	DRAWN BY CMTEO	DATE 2007/02/23	TITLE DDR2 DIMM, 1.00MM PITCH 276 CKTS, VERTICAL T/H FORK-LOCK					
			3 PLACES ± --- ± ---	CHECKED BY CCTEH	DATE 2007/04/03	MOLEX INCORPORATED					
			2 PLACES ± 0.20 ± ---	APPROVED BY SHLENI	DATE 2007/04/03	MATERIAL NO. SEE TABLE	DOCUMENT NO. SD-87775-002	SHEET NO. 5 OF 6			
		1 PLACE ± --- ± ---	ANGULAR ± 5 °		DRAFT WHERE APPLICABLE MUST REMAIN WITHIN DIMENSIONS		THIS DRAWING CONTAINS INFORMATION THAT IS PROPRIETARY TO MOLEX INCORPORATED AND SHOULD NOT BE USED WITHOUT WRITTEN PERMISSION				
A1		REV									

9 8 7 6 5 4 3 2 1



SECTION A-A

NOTE:

1. CAVITY QTY : 1 X 15 = 15PCS.

UPDATE HSG VIEW EC NO: S2007-1012 DRWN:CMTEO CHKD:CCTEH APPR:SHLENI	2007/05/21 2007/05/21 2007/05/21	QUALITY SYMBOLS ▽=0 ◻=0	GENERAL TOLERANCES (UNLESS SPECIFIED)		DIMENSION STYLE MM ONLY		SCALE NTS	DESIGN UNITS METRIC	THIRD ANGLE PROJECTION		
			4 PLACES ± --- ± ---	DRAWN BY CMTEO	DATE 2007/02/23	TITLE DDR2 DIMM, 100MM PITCH 276 CKTS, VERTICAL T/H FORK-LOCK					
			3 PLACES ± --- ± ---	CHECKED BY CCTEH	DATE 2007/04/03	MOLEX INCORPORATED					
			2 PLACES ± 0.20 ± ---	APPROVED BY SHLENI	DATE 2007/04/03	MATERIAL NO. SEE TABLE		DOCUMENT NO. SD-87775-002	SHEET NO. 6 OF 6		
		1 PLACE ± --- ± ---	ANGULAR ± 5 °		SIZE A3		THIS DRAWING CONTAINS INFORMATION THAT IS PROPRIETARY TO MOLEX INCORPORATED AND SHOULD NOT BE USED WITHOUT WRITTEN PERMISSION				
DRAFT WHERE APPLICABLE MUST REMAIN WITHIN DIMENSIONS											

Компания «Океан Электроники» предлагает заключение долгосрочных отношений при поставках импортных электронных компонентов на взаимовыгодных условиях!

Наши преимущества:

- Поставка оригинальных импортных электронных компонентов напрямую с производств Америки, Европы и Азии, а так же с крупнейших складов мира;
- Широкая линейка поставок активных и пассивных импортных электронных компонентов (более 30 млн. наименований);
- Поставка сложных, дефицитных, либо снятых с производства позиций;
- Оперативные сроки поставки под заказ (от 5 рабочих дней);
- Экспресс доставка в любую точку России;
- Помощь Конструкторского Отдела и консультации квалифицированных инженеров;
- Техническая поддержка проекта, помощь в подборе аналогов, поставка прототипов;
- Поставка электронных компонентов под контролем ВП;
- Система менеджмента качества сертифицирована по Международному стандарту ISO 9001;
- При необходимости вся продукция военного и аэрокосмического назначения проходит испытания и сертификацию в лаборатории (по согласованию с заказчиком);
- Поставка специализированных компонентов военного и аэрокосмического уровня качества (Xilinx, Altera, Analog Devices, Intersil, Interpoint, Microsemi, Actel, Aeroflex, Peregrine, VPT, Syfer, Eurofarad, Texas Instruments, MS Kennedy, Miteq, Cobham, E2V, MA-COM, Hittite, Mini-Circuits, General Dynamics и др.);

Компания «Океан Электроники» является официальным дистрибьютором и эксклюзивным представителем в России одного из крупнейших производителей разъемов военного и аэрокосмического назначения «JONHON», а так же официальным дистрибьютором и эксклюзивным представителем в России производителя высокотехнологичных и надежных решений для передачи СВЧ сигналов «FORSTAR».



JONHON

«JONHON» (основан в 1970 г.)

Разъемы специального, военного и аэрокосмического назначения:

(Применяются в военной, авиационной, аэрокосмической, морской, железнодорожной, горно- и нефтедобывающей отраслях промышленности)

«FORSTAR» (основан в 1998 г.)

ВЧ соединители, коаксиальные кабели, кабельные сборки и микроволновые компоненты:

(Применяются в телекоммуникациях гражданского и специального назначения, в средствах связи, РЛС, а так же военной, авиационной и аэрокосмической отраслях промышленности).



Телефон: 8 (812) 309-75-97 (многоканальный)

Факс: 8 (812) 320-03-32

Электронная почта: ocean@oceanchips.ru

Web: <http://oceanchips.ru/>

Адрес: 198099, г. Санкт-Петербург, ул. Калинина, д. 2, корп. 4, лит. А