

|           |  |              |              |
|-----------|--|--------------|--------------|
| D         |  | SHEET 1 OF 2 | CF-198143-CD |
| REVISIONS |  |              |              |
| LTR       | DESCRIPTION  | DATE         |              |
| B         | INITIAL RELEASE                                    |              |              |
| C         | (CL11) REM'D MIL DESIG. NUMBERS;<br>SEE ECN: A8191 | JM           | 9/17/09      |
| D         | (CL 11) SEE ECN B3959                              | -----        |              |

CF-198143-CD

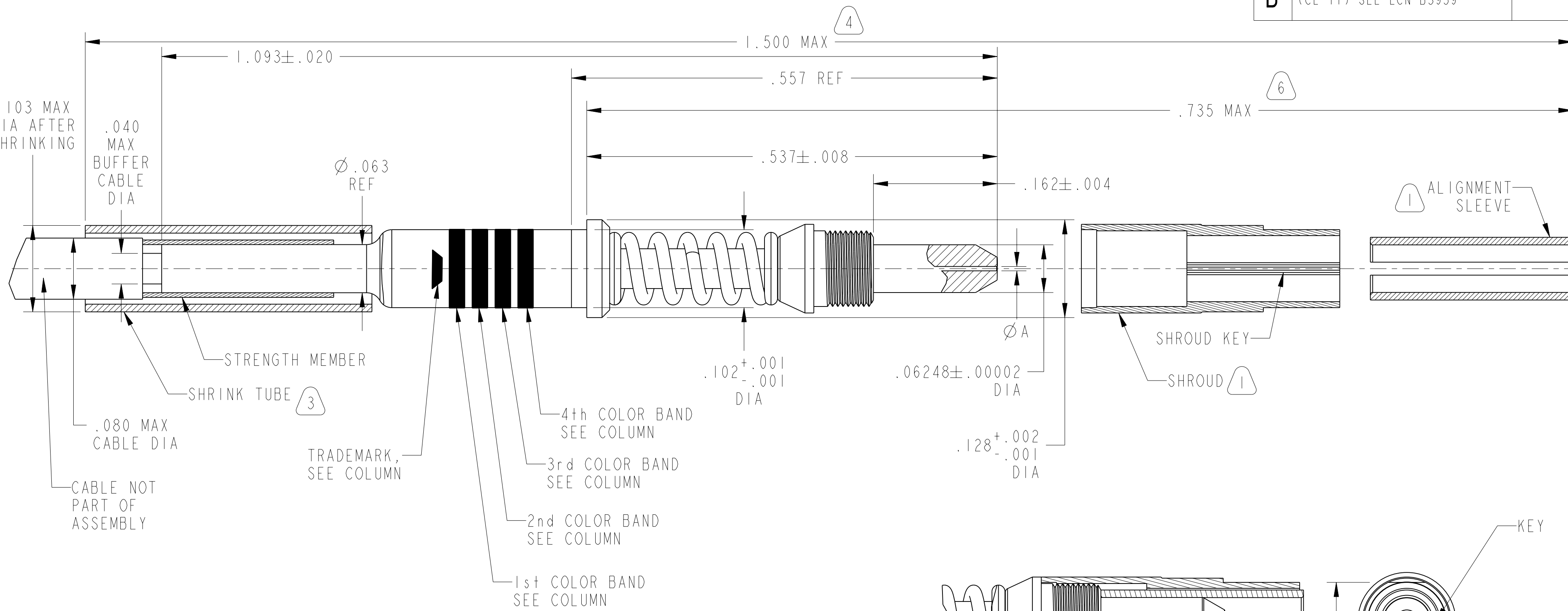
SHEET 1 OF 2

REV. D

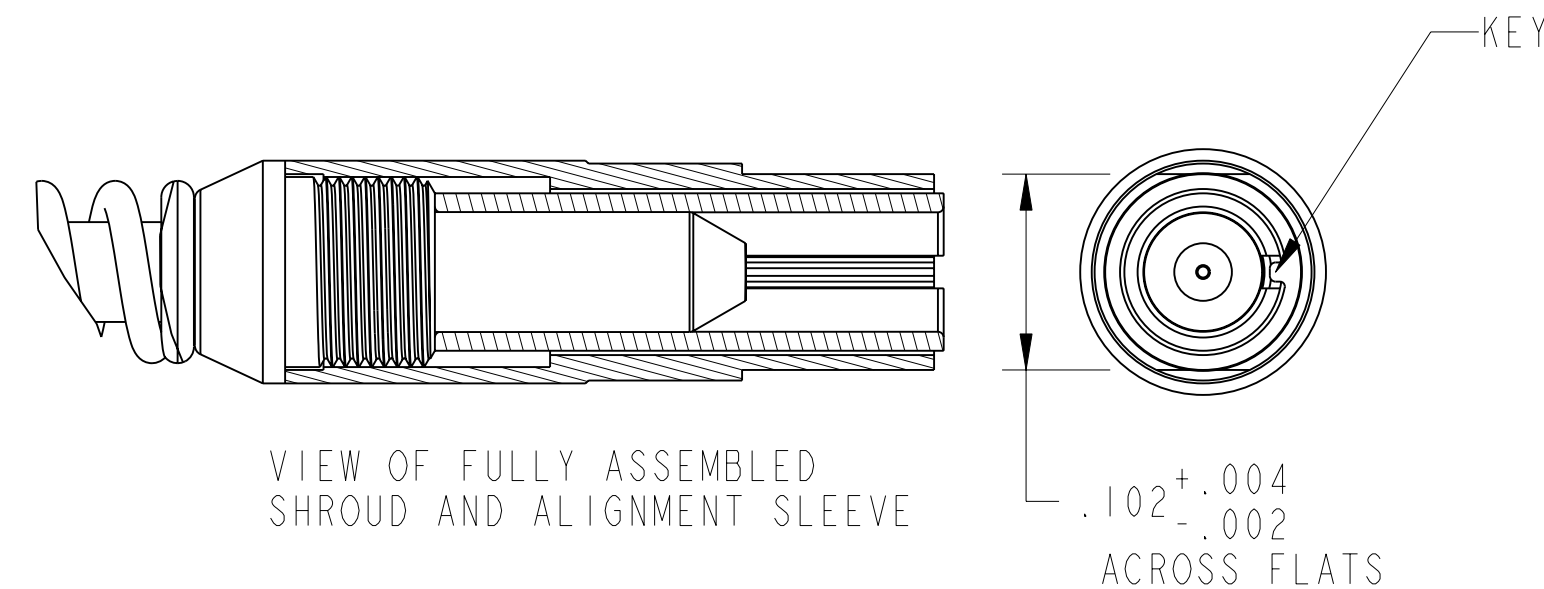
C

B

A



- 6. INDICATED DIMENSION WHEN SHROUD AND ALIGNMENT SLEEVE ARE FULLY ASSEMBLED.
- 5. FOR CABLE TERMINATION PROCEDURE REF. CF-9000- 4, CUSTOMER INSTALLATION INSTRUCTIONS.
- 4. INDICATED DIMENSION WHEN SHROUD, ALIGNMENT SLEEVE AND SHRINK TUBE ARE FULLY ASSEMBLED. NOTE: THREAD SHROUD ON, THEN ALIGN SLOT IN ALIGNMENT SLEEVE WITH KEY IN SHROUD, THEN PUSH ALIGNMENT SLEEVE ON UNTIL BOTTOMED ON TERMINUS.
- 3. SHRINK TUBE SHIPPED UNASSEMBLED.
- 2. SEE SHEET 2 FOR SPECIFIC PART NUMBER ORDERING INFORMATION.  
EXAMPLE:  
FIBER DIA: 127 MICRONS/TERMINUS P/N: CF-198143-010.
- 1. ALIGNMENT SLEEVE & SHROUD SHIPPED UNASSEMBLED.



NOTES:

THE USE OF THIS DOCUMENT IS UNLIMITED. HOWEVER, DOCUMENTS REFERENCED HEREON MAY CONTAIN LIMITED RIGHTS DATA.

N/A  
NEXT ASSEMBLY

PRO/ENGINEER INFORMATION  
Pro/e Model Used:  
CF-198143-CD.XPLD,ASSEM  
Drawing Name:  
CF-198143-CD

| UNLESS OTHERWISE SPECIFIED  | SPECIFICATIONS | POS                        | QTY                                       | PART NUMBER  | DESCRIPTION                  | NOTE               |
|---|----------------|----------------------------|---|--|------------------------------|--------------------|
| LINEAR DIMENSIONS ARE IN INCHES<br>TOLERANCES:<br>.XXXX = ±.0005 ANGLES= ±2°<br>.XXX = ±.010<br>.XX = ±.03<br>.X = ±.1<br>DIM. & TOL. PER ASME Y14.5M;<br>DRM PER MIL-DTL-31000;<br>OTHER Amphenol Stds. PER 9-3800<br>LEGENDS:<br>=FLAG NOTE CALL OUT REFERENCE ONLY | MATERIAL SPEC. | APPROVALS                  |   | PARTS LIST   |                              |                    |
|   | N/A            | PREPARED BY<br>JHEATH      | DATE<br>08-Mar-06                         | <b>AMPHENOL CORPORATION</b><br>40-60 DELAWARE AVENUE<br>SIDNEY, NY, 13858  |                              |                    |
| PROCESS SPEC.   | N/A            | DESIGN MANAGER<br>HJOHNSON | DESIGN ACTIVITY GROUP<br>MIL-AERO DEVELOP | <b>SOCKET TERMINUS, FIBER OPTIC,<br/>           EPOXY PC POLISH, SIZE 16<br/>           CUSTOMER OUTLINE DRAWING</b> |                              |                    |
|   |                |                            |   | THIRD ANGLE PROJECTION   | SIZE<br>C                    | CAGE CODE<br>77820 |
|   |                |                            |   |  | DOCUMENT NO.<br>CF-198143-CD | REV.<br>D          |
|   |                |                            |   |  | SCALE: 10:0                  | SHEET 1 OF 2       |

CF-198143-CD

SHEET 1 OF 2

REV. D

VERSION 0

REVISION D

Eng PDM Information For Reference Only

REV. D

SHEET 1 OF 2

CF-198143-CD

CF-198143-CD

SHEET 2 OF 2

REV. D

C

B

A

FORMAT: C-U-E-1

| PART NUMBER   |               | SOC TERMINUS SUB-ASSEMBLY |          | A DIA INCHES REF |       | COLOR BANDS |       |     |     | MILITARY DESIGNATION NUMBER | TRADEMARK (DIRECTION OPTIONAL) | PART NUMBER   |               | SOC TERMINUS SUB-ASSEMBLY |          | A DIA INCHES REF |     | COLOR BANDS |     |     |     | MILITARY DESIGNATION NUMBER | TRADEMARK (DIRECTION OPTIONAL) |
|---------------|---------------|---------------------------|----------|------------------|-------|-------------|-------|-----|-----|-----------------------------|--------------------------------|---------------|---------------|---------------------------|----------|------------------|-----|-------------|-----|-----|-----|-----------------------------|--------------------------------|
| 1st           | 2nd           | 3rd                       | 4th      | 1st              | 2nd   | 3rd         | 4th   | 1st | 2nd | 3rd                         | 4th                            | 1st           | 2nd           | 3rd                       | 4th      | 1st              | 2nd | 3rd         | 4th | 1st | 2nd | 3rd                         | 4th                            |
| CF-198143-001 | CF-200104-001 | .0041                     | 104+2/-0 | N/A              | N/A   | N/A         | N/A   | N/A | N/A | N/A                         | N/A                            | CF-198143-048 | CF-200104-048 | .0088                     | 224+4/-0 | N/A              | N/A | N/A         | N/A | N/A | N/A | N/A                         | N/A                            |
| CF-198143-002 | CF-200104-002 | .0042                     | 107      | N/A              | N/A   | N/A         | N/A   | N/A | N/A | N/A                         | N/A                            | CF-198143-049 | CF-200104-049 | .0089                     | 226      | N/A              | N/A | N/A         | N/A | N/A | N/A | N/A                         | N/A                            |
| CF-198143-003 | CF-200104-003 | .0043                     | 109      | N/A              | N/A   | N/A         | N/A   | N/A | N/A | N/A                         | N/A                            | CF-198143-050 | CF-200104-050 | .0090                     | 229      | N/A              | N/A | N/A         | N/A | N/A | N/A | N/A                         | N/A                            |
| CF-198143-004 | CF-200104-004 | .0044                     | 112      | N/A              | N/A   | N/A         | N/A   | N/A | N/A | N/A                         | N/A                            | CF-198143-051 | CF-200104-051 | .0091                     | 231      | N/A              | N/A | N/A         | N/A | N/A | N/A | N/A                         | N/A                            |
| CF-198143-005 | CF-200104-005 | .0045                     | 114      | N/A              | N/A   | N/A         | N/A   | N/A | N/A | N/A                         | N/A                            | CF-198143-052 | CF-200104-052 | .0092                     | 234      | N/A              | N/A | N/A         | N/A | N/A | N/A | N/A                         | N/A                            |
| CF-198143-006 | CF-200104-006 | .0046                     | 117      | N/A              | N/A   | N/A         | N/A   | N/A | N/A | N/A                         | N/A                            | CF-198143-053 | CF-200104-053 | .0093                     | 236      | N/A              | N/A | N/A         | N/A | N/A | N/A | N/A                         | N/A                            |
| CF-198143-007 | CF-200104-007 | .0047                     | 119      | N/A              | N/A   | N/A         | N/A   | N/A | N/A | N/A                         | N/A                            | CF-198143-054 | CF-200104-054 | .0094                     | 239      | N/A              | N/A | N/A         | N/A | N/A | N/A | N/A                         | N/A                            |
| CF-198143-008 | CF-200104-008 | .0048                     | 122      | N/A              | N/A   | N/A         | N/A   | N/A | N/A | N/A                         | N/A                            | CF-198143-055 | CF-200104-055 | .0095                     | 241      | N/A              | N/A | N/A         | N/A | N/A | N/A | N/A                         | N/A                            |
| CF-198143-009 | CF-200104-009 | .00496                    | 126      | N/A              | N/A   | N/A         | N/A   | N/A | N/A | N/A                         | N/A                            | CF-198143-056 | CF-200104-056 | .0096                     | 244      | N/A              | N/A | N/A         | N/A | N/A | N/A | N/A                         | N/A                            |
| CF-198143-010 | CF-200104-010 | .0050                     | 127      | YELLOW           | BLACK | YELLOW      | BLUE  | N/A | N/A | N/A                         | N/A                            | CF-198143-057 | CF-200104-057 | .0097                     | 245      | N/A              | N/A | N/A         | N/A | N/A | N/A | N/A                         | N/A                            |
| CF-198143-011 | CF-200104-011 | .0051                     | 130      | N/A              | N/A   | N/A         | N/A   | N/A | N/A | N/A                         | N/A                            | CF-198143-058 | CF-200104-058 | .0098                     | 249      | N/A              | N/A | N/A         | N/A | N/A | N/A | N/A                         | N/A                            |
| CF-198143-012 | CF-200104-012 | .0052                     | 132      | N/A              | N/A   | N/A         | N/A   | N/A | N/A | N/A                         | N/A                            | CF-198143-059 | CF-200104-059 | .0099                     | 251      | N/A              | N/A | N/A         | N/A | N/A | N/A | N/A                         | N/A                            |
| CF-198143-013 | CF-200104-013 | .0053                     | 135      | N/A              | N/A   | N/A         | N/A   | N/A | N/A | N/A                         | N/A                            | CF-198143-060 | CF-200104-060 | .0100                     | 254      | N/A              | N/A | N/A         | N/A | N/A | N/A | N/A                         | N/A                            |
| CF-198143-014 | CF-200104-014 | .0054                     | 137      | N/A              | N/A   | N/A         | N/A   | N/A | N/A | N/A                         | N/A                            | CF-198143-061 | CF-200104-061 | .0101                     | 257      | N/A              | N/A | N/A         | N/A | N/A | N/A | N/A                         | N/A                            |
| CF-198143-015 | CF-200104-015 | .0055                     | 140      | N/A              | N/A   | N/A         | N/A   | N/A | N/A | N/A                         | N/A                            | CF-198143-062 | CF-200104-062 | .0102                     | 259      | N/A              | N/A | N/A         | N/A | N/A | N/A | N/A                         | N/A                            |
| CF-198143-016 | CF-200104-016 | .0056                     | 142+3/-0 | N/A              | N/A   | N/A         | N/A   | N/A | N/A | N/A                         | N/A                            | CF-198143-063 | CF-200104-063 | .0103                     | 262      | N/A              | N/A | N/A         | N/A | N/A | N/A | N/A                         | N/A                            |
| CF-198143-017 | CF-200104-017 | .0057                     | 145      | YELLOW           | BLACK | GREEN       | BLACK | N/A | N/A | N/A                         | N/A                            | CF-198143-064 | CF-200104-064 | .0104                     | 264      | N/A              | N/A | N/A         | N/A | N/A | N/A | N/A                         | N/A                            |
| CF-198143-018 | CF-200104-018 | .0058                     | 147      | N/A              | N/A   | N/A         | N/A   | N/A | N/A | N/A                         | N/A                            | CF-198143-065 | CF-200104-065 | .0105                     | 267      | N/A              | N/A | N/A         | N/A | N/A | N/A | N/A                         | N/A                            |
| CF-198143-019 | CF-200104-019 | .0059                     | 150      | N/A              | N/A   | N/A         | N/A   | N/A | N/A | N/A                         | N/A                            | CF-198143-066 | CF-200104-066 | .0106                     | 269      | N/A              | N/A | N/A         | N/A | N/A | N/A | N/A                         | N/A                            |
| CF-198143-020 | CF-200104-020 | .0060                     | 152      | N/A              | N/A   | N/A         | N/A   | N/A | N/A | N/A                         | N/A                            | CF-198143-067 | CF-200104-067 | .0107                     | 272      | N/A              | N/A | N/A         | N/A | N/A | N/A | N/A                         | N/A                            |
| CF-198143-021 | CF-200104-021 | .00614                    | 156      | N/A              | N/A   | N/A         | N/A   | N/A | N/A | N/A                         | N/A                            | CF-198143-068 | CF-200104-068 | .0108                     | 274      | N/A              | N/A | N/A         | N/A | N/A | N/A | N/A                         | N/A                            |
| CF-198143-022 | CF-200104-022 | .0062                     | 157      | N/A              | N/A   | N/A         | N/A   | N/A | N/A | N/A                         | N/A                            | CF-198143-069 | CF-200104-069 | .0109                     | 277      | N/A              | N/A | N/A         | N/A | N/A | N/A | N/A                         | N/A                            |
| CF-198143-023 | CF-200102-023 | .0063                     | 160      | N/A              | N/A   | N/A         | N/A   | N/A | N/A | N/A                         | N/A                            | CF-198143-070 | CF-200104-070 | .0110                     | 279      | N/A              | N/A | N/A         | N/A | N/A | N/A | N/A                         | N/A                            |
| CF-198143-024 | CF-200104-024 | .0064                     | 163      | N/A              | N/A   | N/A         | N/A   | N/A | N/A | N/A                         | N/A                            | CF-198143-071 | CF-200104-071 | .0111                     | 282      | N/A              | N/A | N/A         | N/A | N/A | N/A | N/A                         | N/A                            |
| CF-198143-025 | CF-200104-025 | .0065                     | 165      | N/A              | N/A   | N/A         | N/A   | N/A | N/A | N/A                         | N/A                            | CF-198143-072 | CF-200104-072 | .0112                     | 285      | N/A              | N/A | N/A         | N/A | N/A | N/A | N/A                         | N/A                            |
| CF-198143-026 | CF-200104-026 | .0066                     | 168      | N/A              | N/A   | N/A         | N/A   | N/A | N/A | N/A                         | N/A                            | CF-198143-073 | CF-200104-073 | .01126                    | 286      | N/A              | N/A | N/A         | N/A | N/A | N/A | N/A                         | N/A                            |
| CF-198143-027 | CF-200104-027 | .0067                     | 170      | N/A              | N/A   | N/A         | N/A   | N/A | N/A | N/A                         | N/A                            | CF-198143-074 | CF-200104-074 | .0114                     | 290      | N/A              | N/A | N/A         | N/A | N/A | N/A | N/A                         | N/A                            |
| CF-198143-028 | CF-200104-028 | .0068                     | 173      | N/A              | N/A   | N/A         | N/A   | N/A | N/A | N/A                         | N/A                            | CF-198143-075 | CF-200104-075 | .0115                     | 292      | N/A              | N/A | N/A         | N/A | N/A | N/A | N/A                         | N/A                            |
| CF-198143-29A | CF-200104-29A | .00681                    | 173+1/-0 | YELLOW           | BLACK | GRAY        | GRAY  | N/A | N/A | N/A                         | N/A                            | CF-198143-076 | CF-200104-076 | .0116                     | 295      | N/A              | N/A | N/A         | N/A | N/A | N/A | N/A                         | N/A                            |
| CF-198143-029 | CF-200104-029 | .0069                     | 175+3/-0 | N/A              | N/A   | N/A         | N/A   | N/A | N/A | N/A                         | N/A                            | CF-198143-077 | CF-200104-077 | .0117                     | 297      | N/A              | N/A | N/A         | N/A | N/A | N/A | N/A                         | N/A                            |
| CF-198143-030 | CF-200104-030 | .0070                     | 178      | N/A              | N/A   | N/A         | N/A   | N/A | N/A | N/A                         | N/A                            | CF-198143-078 | CF-200104-078 | .0118                     | 300      | N/A              | N/A | N/A         | N/A | N/A | N/A | N/A                         | N/A                            |
| CF-198143-031 | CF-200104-031 | .0071                     | 180      | N/A              | N/A   | N/A         | N/A   | N/A | N/A | N/A                         | N/A                            | CF-198143-079 | CF-200104-079 | .0119                     | 302      | N/A              | N/A | N/A         | N/A | N/A | N/A | N/A                         | N/A                            |
| CF-198143-032 | CF-200104-032 | .0072                     | 183      | N/A              | N/A   | N/A         | N/A   | N/A | N/A | N/A                         | N/A                            | CF-198143-080 | CF-200104-080 | .0120                     | 305      | N/A              | N/A | N/A         | N/A | N/A | N/A | N/A                         | N/A                            |
| CF-198143-033 | CF-200104-033 | .0073                     | 185      | N/A              | N/A   | N/A         | N/A   | N/A | N/A | N/A                         | N/A                            | CF-198143-081 | CF-200104-081 | .0121                     | 308      | N/A              | N/A | N/A         | N/A | N/A | N/A | N/A                         | N/A                            |
| CF-198143-034 | CF-200104-034 | .0074                     | 188      | N/A              | N/A   | N/A         | N/A   | N/A | N/A | N/A                         | N/A                            | CF-198143-082 | CF-200104-082 | .0122                     | 310      | N/A              | N/A | N/A         | N/A | N/A | N/A | N/A                         | N/A                            |
| CF-198143-035 | CF-200104-035 | .0075                     | 191      | N/A              | N/A   | N/A         | N/A   | N/A | N/A | N/A                         | N/A                            | CF-198143-083 | CF-200104-083 | .0123                     | 313      | N/A              | N/A | N/A         | N/A | N/A | N/A | N/A                         | N/A                            |
| CF-198143-036 | CF-200104-036 | .0076                     | 193      | N/A              | N/A   | N/A         | N/A   | N/A | N/A | N/A                         | N/A                            | CF-198143-084 | CF-200104-084 | .0124                     | 315      | N/A              | N/A | N/A         | N/A | N/A | N/A | N/A                         | N/A                            |
| CF-198143-037 | CF-200104-037 | .0077                     | 196      | N/A              | N/A   | N/A         | N/A   | N/A | N/A | N/A                         | N/A                            | CF-198143-085 | CF-200104-085 | .0125                     | 318      | N/A              | N/A | N/A         | N/A | N/A | N/A | N/A                         | N/A                            |
| CF-198143-038 | CF-200104-038 | .0078                     | 198      | N/A              | N/A   | N/A         | N/A   | N/A | N/A | N/A                         | N/A                            | CF-198143-086 | CF-200104-086 | .0126                     | 320      | N/A              | N/A | N/A         | N/A | N/A | N/A | N/A                         | N/A                            |
| CF-198143-039 | CF-200104-039 | .0079                     | 201      | N/A              | N/A   | N/A         | N/A   | N/A | N/A | N/A                         | N/A                            | CF-198143-087 | CF-200104-087 | .0127                     | 323      | N/A              | N/A | N/A         | N/A | N/A | N/A | N/A                         | N/A                            |
| CF-198143-040 | CF-200104-040 | .0080                     | 203      | N/A              | N/A   | N/A         | N/A   | N/A | N/A | N/A                         | N/A                            | CF-198143-088 | CF-200104-088 | .0128                     | 325      | N/A              | N/A | N/A         | N/A | N/A | N/A | N/A                         | N/A                            |
| CF-198143-041 | CF-200104-041 | .0081                     | 206+4/-0 | N/A              | N/A   | N/A         | N/A   | N/A | N/A | N/A                         | N/A                            | CF-198143-089 | CF-200104-089 | .0129                     | 328      | N/A              | N/A | N/A         | N/A | N/A | N/A | N/A                         | N/A                            |
| CF-198143-042 | CF-200104-042 | .0082                     | 208      | N/A              | N/A   | N/A         | N/A   | N/A | N/A | N/A                         | N/A                            | CF-198143-090 | CF-200104-090 | .0130                     | 330      | N/A              | N/A | N/A         | N/A | N/A | N/A | N/A                         | N/A                            |
| CF-198143-043 | CF-200104-043 | .0083                     | 211      | N/A              | N/A   | N/A         | N/A   | N/A | N/A | N/A                         | N/A                            | CF-198143-091 | CF-200104-091 | .0131                     | 333      | N/A              | N/A | N/A         | N/A | N/A | N/A | N/A                         | N/A                            |
| CF-198143-044 | CF-200104-044 | .0084                     | 213      | N/A              | N/A   | N/A         | N/A   | N/A | N/A | N/A                         | N/A                            | CF-198143-092 | CF-200104-092 | .0132                     | 335      | N/A              | N/A | N/A         | N/A | N/A | N/A | N/A                         | N/A                            |
| CF-198143-045 | CF-200104-045 | .0085                     | 216      | N/A              | N/A   | N/A         | N/A   | N/A | N/A | N/A                         | N/A                            | CF-198143-093 | CF-200104-093 | .0133                     | 338      | N/A              | N/A | N/A         | N/A | N/A | N/A | N/A                         | N/A                            |
| CF-198143-046 | CF-200104-046 | .0086                     | 218      | N/A              | N/A   | N/A         | N/A   | N/A | N/A | N/A                         | N/A                            | CF-198143-094 | CF-200104-094 | .0134                     | 341      | N/A              | N/A | N/A         | N/A | N/A | N/A | N/A                         | N/A                            |
| CF-198143-047 | CF-200104-047 | .0087                     | 221      | N/A              | N/A   | N/A         | N/A   | N/A | N/A | N/A                         | N/A                            | CF-198143-095 | CF-200104-095 | .0135                     | 343      | N/A              | N/A | N/A         | N/A | N/A | N/A | N/A                         | N/A                            |
|               |               |                           |          |                  |       |             |       |     |     |                             |                                | CF-198143-125 | CF-200104-125 | .00492                    | 125+1/-0 | N/A              | N/A | N/A         | N/A | N/A | N/A | N/A                         | N/A                            |
|               |               |                           |          |                  |       |             |       |     |     |                             |                                | CF-198143-25A | CF-200104-25A | .00494                    | 125.5    | N/A              | N/A | N/A         | N/A | N/A | N/A | N/A                         | N/A                            |
|               |               |                           |          |                  |       |             |       |     |     |                             |                                | CF-198143-126 | CF-200104-126 | .00496                    | 126      | N/A              | N/A | N/A         | N/A | N/A | N/A | N/A                         | N/A                            |

NOTES:

2

THE USE OF THIS DOCUMENT IS UNLIMITED. HOWEVER, DOCUMENTS REFERENCED HEREON MAY CONTAIN LIMITED RIGHTS DATA.

INTENDED FOR SINGLEMODE USE

CF-198143-125 CF-200104-125 .00492 125+1/-0 N/A N/A N/A N/A N/A N/A  
CF-198143-25A CF-200104-25A .00494 125.5 N/A N/A N/A N/A N/A N/A  
CF-198143-126 CF-200104-126 .00496 126 N/A N/A N/A N/A N/A N/A

2

|                  |                           |                                     |                  |
|------------------|---------------------------|-------------------------------------|------------------|
| SIZE<br><b>C</b> | CAGE CODE<br><b>77820</b> | DOCUMENT NO.<br><b>CF-198143-CD</b> | REV.<br><b>D</b> |
| SCALE: 1.0       | REF: CF-198035-CD         | SHEET 2 OF 2                        |                  |

CF-198143-CD

SHEET 2 OF 2

REV. D

Eng. PDM Information For Reference Only

REVISION D

VERSION 01

C

D

Компания «Океан Электроники» предлагает заключение долгосрочных отношений при поставках импортных электронных компонентов на взаимовыгодных условиях!

Наши преимущества:

- Поставка оригинальных импортных электронных компонентов напрямую с производств Америки, Европы и Азии, а так же с крупнейших складов мира;
- Широкая линейка поставок активных и пассивных импортных электронных компонентов (более 30 млн. наименований);
- Поставка сложных, дефицитных, либо снятых с производства позиций;
- Оперативные сроки поставки под заказ (от 5 рабочих дней);
- Экспресс доставка в любую точку России;
- Помощь Конструкторского Отдела и консультации квалифицированных инженеров;
- Техническая поддержка проекта, помощь в подборе аналогов, поставка прототипов;
- Поставка электронных компонентов под контролем ВП;
- Система менеджмента качества сертифицирована по Международному стандарту ISO 9001;
- При необходимости вся продукция военного и аэрокосмического назначения проходит испытания и сертификацию в лаборатории (по согласованию с заказчиком);
- Поставка специализированных компонентов военного и аэрокосмического уровня качества (Xilinx, Altera, Analog Devices, Intersil, Interpoint, Microsemi, Actel, Aeroflex, Peregrine, VPT, Syfer, Eurofarad, Texas Instruments, MS Kennedy, Miteq, Cobham, E2V, MA-COM, Hittite, Mini-Circuits, General Dynamics и др.);

Компания «Океан Электроники» является официальным дистрибьютором и эксклюзивным представителем в России одного из крупнейших производителей разъемов военного и аэрокосмического назначения «JONHON», а так же официальным дистрибьютором и эксклюзивным представителем в России производителя высокотехнологичных и надежных решений для передачи СВЧ сигналов «FORSTAR».



## JONHON

«JONHON» (основан в 1970 г.)

Разъемы специального, военного и аэрокосмического назначения:

(Применяются в военной, авиационной, аэрокосмической, морской, железнодорожной, горно- и нефтедобывающей отраслях промышленности)

«FORSTAR» (основан в 1998 г.)

ВЧ соединители, коаксиальные кабели,  
кабельные сборки и микроволновые компоненты:

(Применяются в телекоммуникациях гражданского и специального назначения, в средствах связи, РЛС, а так же военной, авиационной и аэрокосмической отраслях промышленности).



Телефон: 8 (812) 309-75-97 (многоканальный)

Факс: 8 (812) 320-03-32

Электронная почта: [ocean@oceanchips.ru](mailto:ocean@oceanchips.ru)

Web: <http://oceanchips.ru/>

Адрес: 198099, г. Санкт-Петербург, ул. Калинина, д. 2, корп. 4, лит. А