

# MAXIM

## MAX1698 Evaluation Kit

Evaluates: MAX1698

### General Description

The MAX1698 evaluation kit (EV kit) is a fully assembled and tested circuit board that contains a boost switching-regulator current source and array of white LEDs. As configured, the circuit is set up to drive 3 banks of 3 series LED arrays at 20mA each; however, a wide variety of other configurations are possible. The IC can be powered from a separate +2.7VDC to +5.5VDC input, while LED power has a wider input range and can be supplied either from a logic supply or battery source.

The MAX1698 features digital soft-start and adjustable lossless LED current control. The MAX1698 EV kit demonstrates low quiescent current, open-circuit protection, and up to 90% efficiency for maximum battery life. Operation up to 500kHz allows the use of tiny surface-mount components.

### Component List

DESIGNATION	QTY	DESCRIPTION
C1	1	10 $\mu$ F, 25V X5R ceramic cap (1812) Taiyo Yuden TMK432BJ106KM
C2	1	1 $\mu$ F, 25V X5R ceramic cap (1206) Taiyo Yuden TMK316BJ105KL or Murata GRM42-6X7R105K025A
C3	1	1 $\mu$ F, 6.3V X5R ceramic cap (0603) Taiyo Yuden JMK107BJ105KA
D1	1	40V, 0.5A Schottky diode (SOD-123) Motorola MBR0540T1 or Nihon EP05Q04
D2	1	24V, 350mW zener diode (SOT-23) Central Semiconductor CMPZ5253B
D3-D11	9	White LEDs Nichia NSPW500BS (T-1-3/4)
L1	1	10 $\mu$ H inductor Sumida CDRH5D18-100NC
N1	1	30V, 2.2A, N-channel MOSFET (SuperSOT™-3) Fairchild Semiconductor FDN337N
R1	1	500k $\Omega$ potentiometer Bourns 3352E-1-504
R2, R3, R4	3	15 $\Omega$ $\pm$ 1% resistors (0805)
U1	1	MAX1698EUB (10-pin $\mu$ MAX)
JU1	1	3-pin header
None	1	Shunt (JU1)
None	1	MAX1698 PC board
None	1	MAX1698 data sheet
None	1	MAX1698 EV kit data sheet

### Features

- ◆ Input Voltage Down to +0.8V
- ◆ 3x3 White LED Array
- ◆ Potentiometer-Adjustable Output Current Level (LED Brightness Control)
- ◆ External Low-Loss N-Channel Switch
- ◆ 10nA IC Shutdown Current
- ◆ Operation Up to 500kHz Switching Frequency
- ◆ Surface-Mount Components
- ◆ Fully Assembled and Tested

### Ordering Information

PART	TEMP. RANGE	IC PACKAGE
MAX1698EVKIT	0°C to +70°C	10 $\mu$ MAX

### Component Suppliers

SUPPLIER	PHONE	FAX
Central Semiconductor	516-435-1110	516-435-1824
Fairchild	408-822-2000	408-822-2102
Motorola	602-303-5454	602-994-6430
Murata	814-956-0666	847-238-0490
Nichia America Corporation	408-573-0933	408-573-0934
Nihon USA	661-867-2555	661-867-2698
Sumida	708-956-0666	708-956-0702
Taiyo Yuden	408-573-4150	408-573-4159

**Note:** Please indicate that you are using the MAX1698 when contacting these component suppliers.

*SuperSOT is a trademark of Fairchild Semiconductor.*

### Quick Start

The MAX1698 EV kit is fully assembled and tested. Follow these steps to verify board operation. **Do not turn on the power supply until all connections are completed.**

# MAX1698 Evaluation Kit

## Main Output

- 1) Connect a +2.7V to +5.5V supply to the VCC pad. Connect the ground to the GND pad.
- 2) Connect a +0.8V to +7V supply to the VBATT pad. Connect the ground to the GND pad.
- 3) Connect a voltmeter to the VOUT pad.
- 4) Verify that shunt JU1 ( $\overline{\text{SHDN}}$ ) is across pins 1 and 2.
- 5) Rotate the potentiometer (R1) to the midposition.
- 6) Turn on the power supply, and verify that the output is approximately 9.0V and the LEDs are moderately lit.

For instructions on selecting R1, or other means of adjusting brightness, refer to the *Adjusting LED Current* section in the MAX1698 data sheet.

## Detailed Description

The MAX1698 EV kit contains a switching-regulator current-source circuit. The circuit requires +2.7V to +5.5V for IC power (VCC); however, the LED power input (VBATT) can accept a wide input voltage range from +0.8V up to the forward voltage of the LED array (+7V for the 3x3 array supplied on the EV kit). The board can drive up to +24V for the LED output, as limited by the open-circuit protection zener (D2).

Output current is adjusted with R1 to control LED brightness. The boost converter operates up to a maximum frequency of 500kHz.

The MAX1698 EV kit can evaluate additional off-board LEDs. For instructions on evaluating additional LEDs, see the *Evaluating Off-Board LEDs* section.

### Jumper Selection Shutdown Mode

The MAX1698 EV kit features a shutdown mode that reduces the MAX1698 quiescent current to less than 1 $\mu$ A (max), preserving battery life. The three-pin jumper (JU1) selects the shutdown mode for the circuit. Table 1 lists the selectable jumper options.

## Changing Maximum LED Current

The maximum LED current is determined by feedback resistor R2. LED current =  $300\text{mV} / R2$ . Resistors R3 and R4 must also match the value of R2 to balance the current in each LED bank. Refer to the *Setting the Output Current* section of the MAX1698 data sheet for more information on selecting other maximum current settings.

## Evaluating Off-Board LEDs

The MAX1698 EV kit can evaluate off-board LEDs. Current resistors R2, R3, and R4 must be removed from the EV kit. The EV kit LEDs will no longer function. An external feedback resistor must be connected between the FB pad and GND pad. Refer to the *Setting the Output Current* section of the MAX1698 data sheet for more information on selecting the maximum current-setting resistor.

## Evaluating Output Voltages Over +24V

Zener diode D2 clamps the output voltage  $V_{\text{OUT}}$  at +24V if the LED array circuit opens. To evaluate output voltages greater than +24V, zener diode D2 must be replaced. Choose the zener diode +2V above the maximum  $V_{\text{OUT}}$ . The MOSFET N1 breakdown voltage should exceed the zener voltage. Output capacitor C2's voltage rating must exceed the zener diode voltage.

**Table 1. Jumper JU1 Functions**

SHUNT LOCATION	$\overline{\text{SHDN}}$ PIN	MAX1698 OUTPUT
1 and 2	Connected to VCC	MAX1698 enabled, $V_{\text{OUT}} = \text{up to } +24\text{V}$
2 and 3	Connected to GND	Shutdown mode, $V_{\text{OUT}} = V_{\text{IN}} - V_{\text{D1}}$

# MAX1698 Evaluation Kit

Evaluates: MAX1698

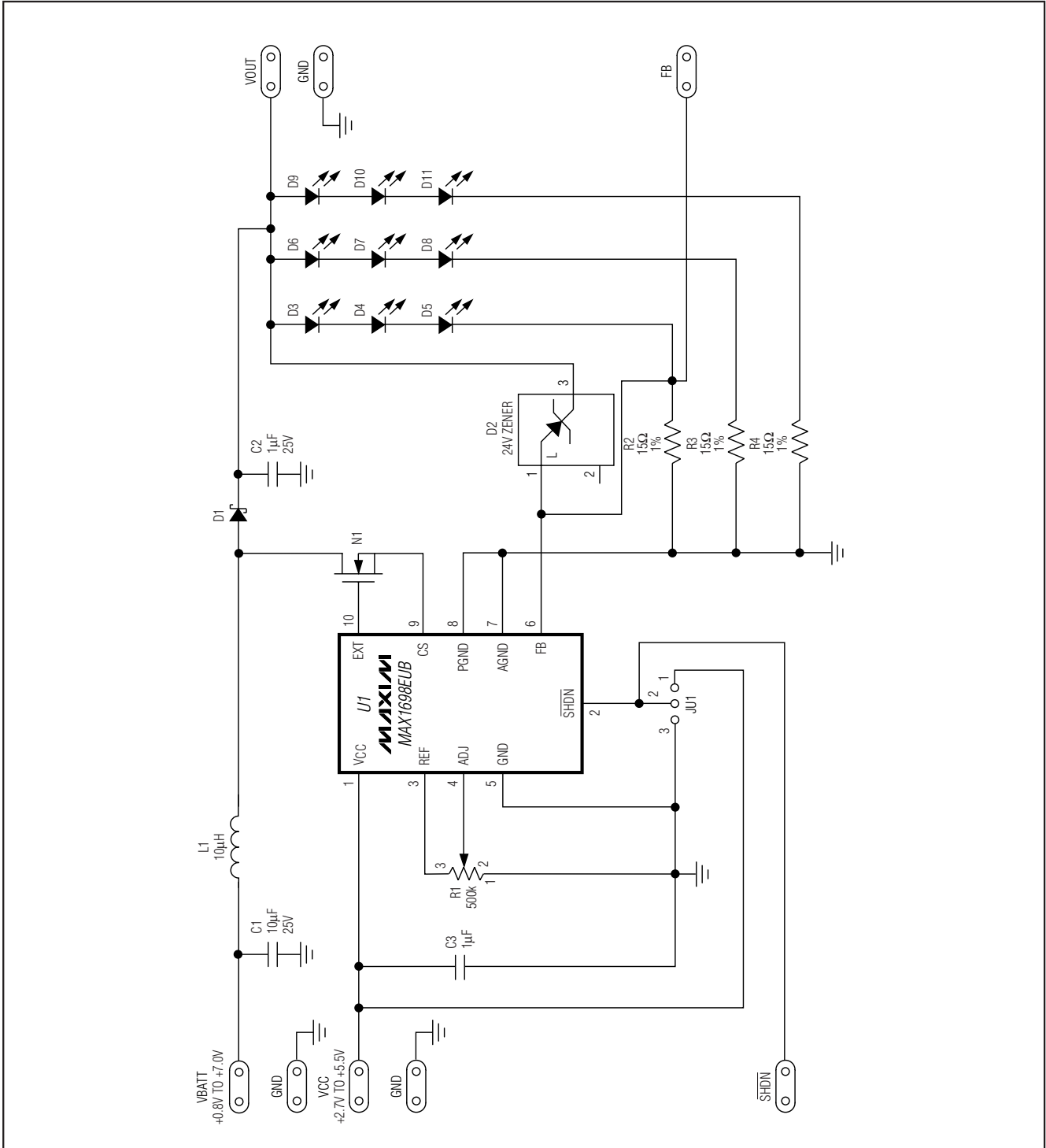


Figure 1. MAX1698 EV Kit Schematic

# MAX1698 Evaluation Kit

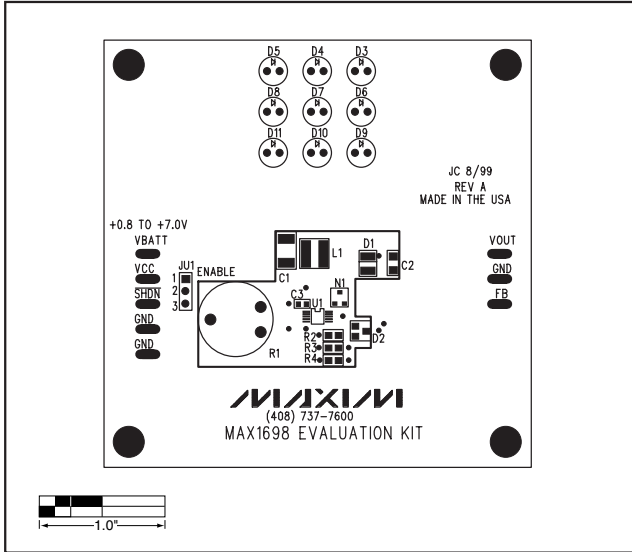


Figure 2. MAX1698 EV Kit Component Placement Guide—Component Side

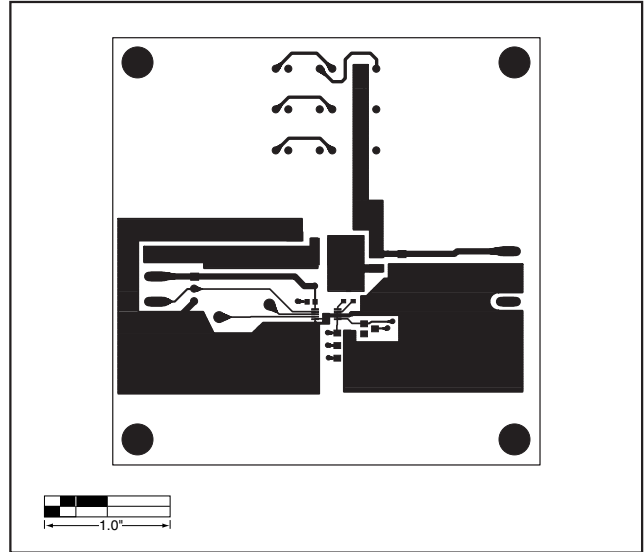


Figure 3. MAX1698 EV Kit PC Board Layout—Component Side

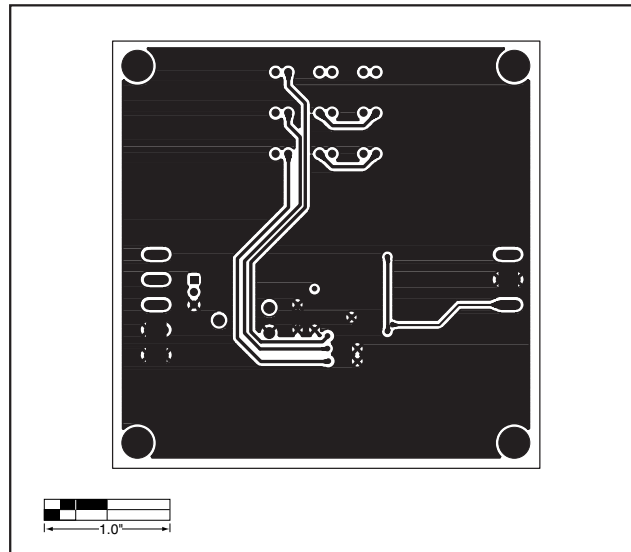


Figure 4. MAX1698 EV Kit PC Board Layout—Solder Side

Maxim cannot assume responsibility for use of any circuitry other than circuitry entirely embodied in a Maxim product. No circuit patent licenses are implied. Maxim reserves the right to change the circuitry and specifications without notice at any time.

4 **Maxim Integrated Products, 120 San Gabriel Drive, Sunnyvale, CA 94086 408-737-7600**

Компания «Океан Электроники» предлагает заключение долгосрочных отношений при поставках импортных электронных компонентов на взаимовыгодных условиях!

Наши преимущества:

- Поставка оригинальных импортных электронных компонентов напрямую с производств Америки, Европы и Азии, а так же с крупнейших складов мира;
- Широкая линейка поставок активных и пассивных импортных электронных компонентов (более 30 млн. наименований);
- Поставка сложных, дефицитных, либо снятых с производства позиций;
- Оперативные сроки поставки под заказ (от 5 рабочих дней);
- Экспресс доставка в любую точку России;
- Помощь Конструкторского Отдела и консультации квалифицированных инженеров;
- Техническая поддержка проекта, помощь в подборе аналогов, поставка прототипов;
- Поставка электронных компонентов под контролем ВП;
- Система менеджмента качества сертифицирована по Международному стандарту ISO 9001;
- При необходимости вся продукция военного и аэрокосмического назначения проходит испытания и сертификацию в лаборатории (по согласованию с заказчиком);
- Поставка специализированных компонентов военного и аэрокосмического уровня качества (Xilinx, Altera, Analog Devices, Intersil, Interpoint, Microsemi, Actel, Aeroflex, Peregrine, VPT, Syfer, Eurofarad, Texas Instruments, MS Kennedy, Miteq, Cobham, E2V, MA-COM, Hittite, Mini-Circuits, General Dynamics и др.);

Компания «Океан Электроники» является официальным дистрибьютором и эксклюзивным представителем в России одного из крупнейших производителей разъемов военного и аэрокосмического назначения «JONHON», а так же официальным дистрибьютором и эксклюзивным представителем в России производителя высокотехнологичных и надежных решений для передачи СВЧ сигналов «FORSTAR».



## JONHON

«JONHON» (основан в 1970 г.)

Разъемы специального, военного и аэрокосмического назначения:

(Применяются в военной, авиационной, аэрокосмической, морской, железнодорожной, горно- и нефтедобывающей отраслях промышленности)

«FORSTAR» (основан в 1998 г.)

ВЧ соединители, коаксиальные кабели,  
кабельные сборки и микроволновые компоненты:

(Применяются в телекоммуникациях гражданского и специального назначения, в средствах связи, РЛС, а так же военной, авиационной и аэрокосмической отраслях промышленности).



Телефон: 8 (812) 309-75-97 (многоканальный)

Факс: 8 (812) 320-03-32

Электронная почта: [ocean@oceanchips.ru](mailto:ocean@oceanchips.ru)

Web: <http://oceanchips.ru/>

Адрес: 198099, г. Санкт-Петербург, ул. Калинина, д. 2, корп. 4, лит. А