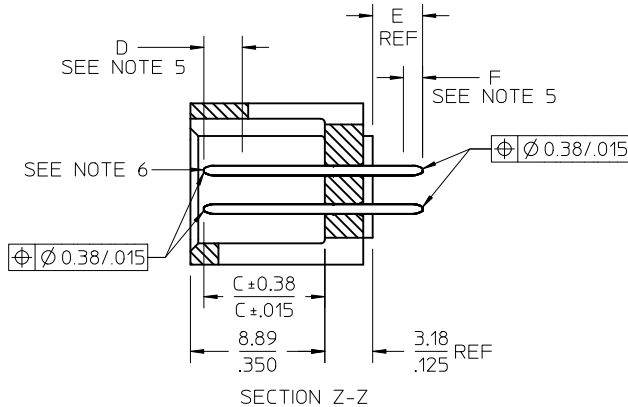


OPTION A



PCB LAYOUT: COMPONENT SIDE
TYPICAL PCB THICKNESS: 2.36/.093



NOTES:

- MATERIAL: SHROUDED WAFER: GLASS FILLED, LIQUID CRYSTAL POLYMER, COLOR: BLACK, 94V-0. PINS: COPPER ALLOY.
- PLATING:
 - TIN 0.00381/.000150 MINIMUM TIN, OVER NICKEL UNDERPLATE OVERALL
 - 15 GOLD 0.00038/.000015 MINIMUM GOLD PLATE IN SELECTED AREA
 - 0.00191/.000075 MINIMUM TIN IN SELECTED AREA OVER NICKEL UNDERPLATE OVERALL
 - 30 GOLD 0.00076/.000030 MINIMUM GOLD PLATE IN SELECTED AREA
 - 0.00191/.000075 MINIMUM TIN IN SELECTED AREA, OVER NICKEL UNDERPLATE OVERALL
- PRODUCT SPECIFICATION: PS-70567.
- PACKAGING: SEE CHARTS
- MEASURE POINT FOR PLATING THICKNESS.
- PIN PUSHOUT FORCE: 4 LBS. MINIMUM IN DIRECTION INDICATED.
- FOR ILLUSTRATION PURPOSES, 20 (DUAL 10) CIRCUIT SIZE HEADER SHOWN.
- PIN SOLDERABILITY PER MOLEX SPEC. SMES-152.
- WINDOW NOT AVAILABLE ON 6 OR 8 CIRCUIT SIZE.
- THIS PART CONFORMS TO CLASS B REQUIREMENTS OF COSMETIC SPECIFICATION PS-45499-002.



| CKT | DIM A | DIM B | DIM L | DIM M | DIM N |
|-----|----------------|----------------|--------------|--------------|----------------|
| 06 | 8.43 .332 | 5.08 .200 | 1.68 .066 | 1.68 .066 | |
| 08 | 10.97 .432 | 7.62 .300 | 1.68 .066 | 1.68 .066 | |
| 10 | 13.51 .532 | 10.16 .400 | 1.68 .066 | 4.22 .166 | |
| 12 | 16.05 .632 | 12.70 .500 | 1.68 .066 | 4.22 .166 | |
| 14 | 18.59 .732 | 15.24 .600 | 1.68 .066 | 6.76 .266 | |
| 16 | 21.13 .832 | 17.78 .700 | 1.68 .066 | 6.76 .266 | |
| 18 | 23.67 .932 | 20.32 .800 | 1.68 .066 | 9.30 .366 | |
| 20 | 26.21 1.032 | 22.86 .900 | 1.68 .066 | 1.68 .066 | 19.46 .766 |
| 22 | 28.75 1.132 | 25.40 1.000 | 1.68 .066 | 1.68 .066 | 22.00 .866 |
| 24 | 31.29 1.232 | 27.94 1.100 | 1.68 .066 | 1.68 .066 | 24.54 .966 |
| 26 | 33.83 1.332 | 30.48 1.200 | 1.68 .066 | 1.68 .066 | 27.08 1.066 |
| 28 | 36.37 1.432 | 33.02 1.300 | 1.68 .066 | 1.68 .066 | 29.62 1.166 |
| 30 | 38.91 1.532 | 35.56 1.400 | 1.68 .066 | 1.68 .066 | 32.16 1.266 |
| 32 | 41.45 1.632 | 38.10 1.500 | 1.68 .066 | 1.68 .066 | 34.70 1.366 |
| 34 | 43.99 1.732 | 40.64 1.600 | 1.68 .066 | 1.68 .066 | 37.24 1.466 |
| 36 | 46.53 1.832 | 43.18 1.700 | 1.68 .066 | 1.68 .066 | 39.78 1.566 |
| 38 | 49.07 1.932 | 45.72 1.800 | 1.68 .066 | 1.68 .066 | 42.32 1.666 |
| 40 | 51.61 2.032 | 48.26 1.900 | 1.68 .066 | 1.68 .066 | 44.86 1.766 |
| 42 | 54.15 2.132 | 50.80 2.000 | 1.68 .066 | 1.68 .066 | 47.40 1.866 |
| 44 | 56.69 2.232 | 53.34 2.100 | 1.68 .066 | 1.68 .066 | 49.94 1.966 |
| 46 | 59.23 2.332 | 55.88 2.200 | 1.68 .066 | 1.68 .066 | 52.48 2.066 |
| 48 | 61.77 2.432 | 58.42 2.300 | 1.68 .066 | 1.68 .066 | 55.02 2.166 |
| 50 | 64.31 2.532 | 60.96 2.400 | 1.68 .066 | 1.68 .066 | 57.56 2.266 |
| 52 | 66.85 2.632 | 63.50 2.500 | 1.68 .066 | 1.68 .066 | 60.10 2.366 |
| 54 | 69.39 2.732 | 66.04 2.600 | 1.68 .066 | 1.68 .066 | 62.64 2.466 |
| 56 | 71.93 2.832 | 68.58 2.700 | 1.68 .066 | 1.68 .066 | 65.18 2.566 |
| 58 | 74.47 2.932 | 71.12 2.800 | 1.68 .066 | 1.68 .066 | 67.72 2.666 |
| 60 | 77.01 3.032 | 73.66 2.900 | 1.68 .066 | 1.68 .066 | 70.26 2.766 |
| 62 | 79.55 3.132 | 76.20 3.000 | 1.68 .066 | 1.68 .066 | 72.80 2.866 |
| 64 | 82.09 3.232 | 78.74 3.100 | 1.68 .066 | 1.68 .066 | 75.34 2.966 |
| 66 | 84.63 3.332 | 81.28 3.200 | 1.68 .066 | 1.68 .066 | 77.88 3.066 |
| 68 | 87.17 3.432 | 83.82 3.300 | 1.68 .066 | 1.68 .066 | 80.42 3.166 |
| 70 | 89.71 3.532 | 86.36 3.400 | 1.68 .066 | 1.68 .066 | 82.96 3.266 |
| 72 | 92.25 3.632 | 88.90 3.500 | 1.68 .066 | 1.68 .066 | 85.50 3.366 |

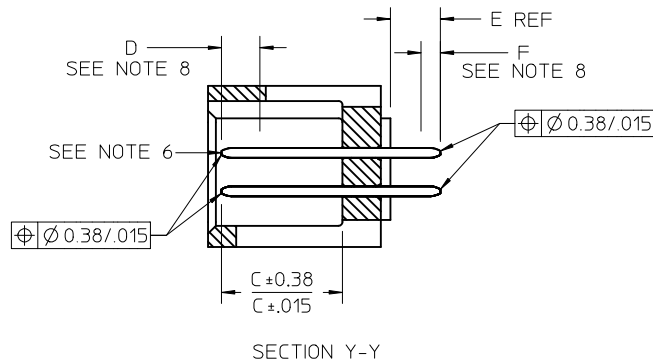
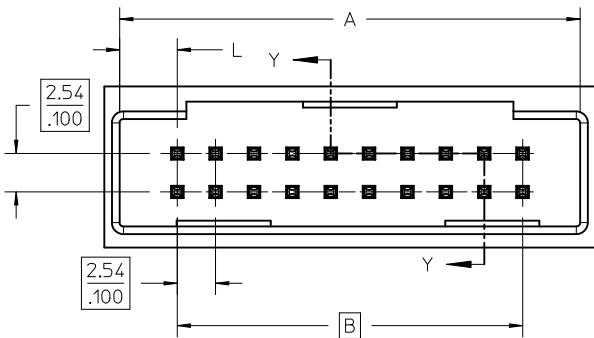
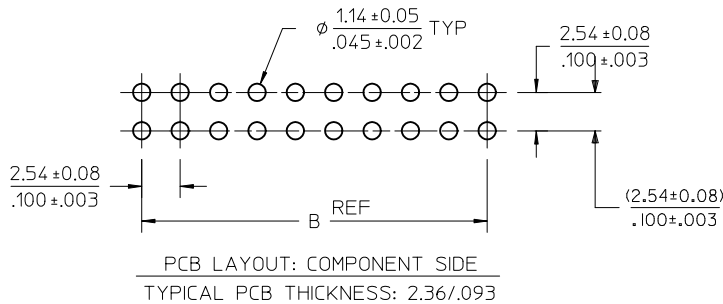
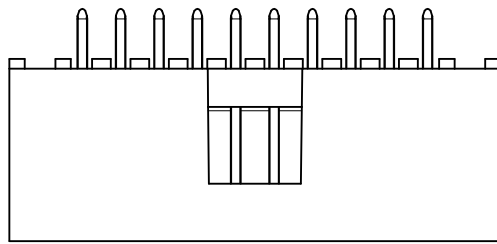
| REV | DESCRIPTION | QUALITY SYMBOLS |
|-----|---------------------------|-----------------|
| J | CORRECT PCB HOLE SIZE | ▽=0 |
| | EC NO: UCP2011-0294 | ▽=0 |
| | DRWINAS BARRA 2010/08/02 | ▽=0 |
| | CHYKD:DRORGAN 1988/03/10 | |
| | IAPPR:MBANAKIS 2010/08/03 | |

| GENERAL TOLERANCES (UNLESS SPECIFIED) | |
|--|---------|
| mm | INCH |
| 4 PLACES ± .005 | ± .0005 |
| 3 PLACES ± .010 | ± .0010 |
| 2 PLACES ± 0.13 | ± .010 |
| 1 PLACE ± 0.25 | ± .010 |
| ANGULAR ± 1/2° | |
| DRAFT WHERE APPLICABLE MUST REMAIN WITHIN DIMENSIONS | |

| DIMENSION STYLE | |
|-----------------------------|------------|
| MM/IN | DATE |
| DRAWN BY | DATE |
| EIK | 1988/03/10 |
| CHECKED BY | DATE |
| EIK | 1988/03/10 |
| APPROVED BY | DATE |
| SMILLER | 2010/03/31 |
| MATERIAL NO. SEE TABLE | |
| DOCUMENT NO. SDA-70567-**** | |
| SHEET NO. 1 OF 5 | |

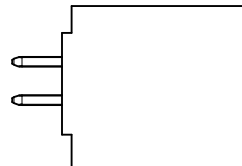
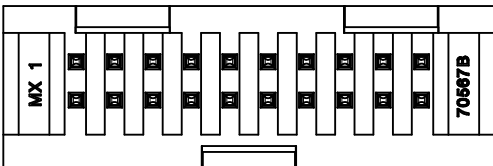
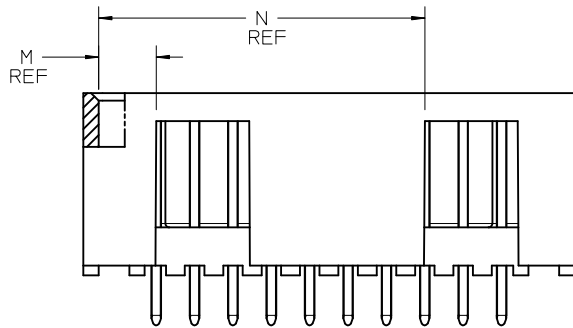
| SCALE | DESIGN UNITS | THIRD ANGLE PROJECTION |
|---|--------------|------------------------|
| 4:1 | INCH | THIRD ANGLE PROJECTION |
| 4 SIDES SHROUDED HEADER HIGH TEMP, (2.54)/.100 GRID W/ (.64)/.025 PINS | | |
| MOLEX MOLEX INCORPORATED | | |
| THIS DRAWING CONTAINS INFORMATION THAT IS PROPRIETARY TO MOLEX INCORPORATED AND SHOULD NOT BE USED WITHOUT WRITTEN PERMISSION | | |

OPTION B



NOTES:

- MATERIAL: SHROUDED WAFER: 30% G.F. LCP, COLOR: BLACK, 94V-0. PINS: COPPER ALLOY.
- PLATING:
 TIN - (0.00381)/.000150 MINIMUM TIN OVER NICKEL UNDERPLATE OVERALL
 15 GOLD - (0.000381)/.000015 MINIMUM GOLD PLATE IN SELECTED AREA
 (0.00191)/.000075 MINIMUM TIN IN SELECTED AREA, OVER NICKEL UNDERPLATE OVERALL
 30 GOLD - (0.000761)/.000030 MINIMUM GOLD PLATE IN SELECTED AREA
 (0.00191)/.000075 MINIMUM TIN IN SELECTED AREA, OVER NICKEL UNDERPLATE OVERALL
- PRODUCT SPECIFICATION: PS-70567.
- PACKAGING: SEE CHARTS
- PIN PUSHOUT FORCE: 4 LBS. MIN IN DIRECTION INDICATED.
- FOR ILLUSTRATION PURPOSES, 20 (DUAL 10) CIRCUIT SIZE HEADER SHOWN.
- PIN SOLDERABILITY PER MOLEX SPEC. SMES-152.
- MEASURE POINT FOR PLATING THICKNESS.
- WINDOW IS NOT AVAILABLE ON 6 CIRCUIT.
- THIS PART CONFORMS TO CLASS B REQUIREMENTS OF COSMETIC SPECIFICATION PS-45499-002.
- SEE SHEET 1 FOR ALL OTHER DIMENSIONS



| CKT | DIM A | DIM B | DIM L | DIM M | DIM N |
|-----|-------|-------|-------|-------|-------|
| 06 | 12.70 | 5.08 | 3.81 | 3.81 | --- |
| | .500 | .200 | .150 | .150 | --- |
| 08 | 15.24 | 7.62 | 3.81 | 3.81 | --- |
| | .600 | .300 | .150 | .150 | --- |
| 10 | 17.78 | 10.16 | 3.81 | 6.35 | --- |
| | .700 | .400 | .150 | .150 | --- |
| 12 | 20.32 | 12.70 | 3.81 | 6.35 | --- |
| | .800 | .500 | .150 | .150 | --- |
| 14 | 22.86 | 15.24 | 3.81 | 8.89 | --- |
| | .900 | .600 | .150 | .350 | --- |
| 16 | 25.40 | 17.78 | 3.81 | 8.89 | --- |
| | 1.000 | .700 | .150 | .350 | --- |
| 18 | 27.94 | 20.32 | 3.81 | 11.43 | --- |
| | 1.100 | .800 | .150 | .450 | --- |
| 20 | 30.48 | 22.86 | 3.81 | 3.81 | 21.59 |
| | 1.200 | .900 | .150 | .150 | .850 |
| 22 | 33.02 | 25.40 | 3.81 | 3.81 | 24.13 |
| | 1.300 | 1.000 | .150 | .150 | .950 |
| 24 | 35.56 | 27.94 | 3.81 | 3.81 | 26.67 |
| | 1.400 | 1.100 | .150 | .150 | 1.050 |
| 26 | 38.10 | 30.48 | 3.81 | 3.81 | 29.21 |
| | 1.500 | 1.200 | .150 | .150 | 1.150 |
| 28 | 40.64 | 33.02 | 3.81 | 3.81 | 31.75 |
| | 1.600 | 1.300 | .150 | .150 | 1.250 |
| 30 | 43.18 | 35.56 | 3.81 | 3.81 | 34.29 |
| | 1.700 | 1.400 | .150 | .150 | 1.350 |
| 32 | 45.72 | 38.10 | 3.81 | 3.81 | 36.83 |
| | 1.800 | 1.500 | .150 | .150 | 1.450 |
| 34 | 48.26 | 40.64 | 3.81 | 3.81 | 39.37 |
| | 1.900 | 1.600 | .150 | .150 | 1.550 |
| 36 | 50.80 | 43.18 | 3.81 | 3.81 | 41.91 |
| | 2.000 | 1.700 | .150 | .150 | 1.650 |
| 38 | 53.34 | 45.72 | 3.81 | 3.81 | 44.45 |
| | 2.100 | 1.800 | .150 | .150 | 1.750 |
| 40 | 55.88 | 48.26 | 3.81 | 3.81 | 46.99 |
| | 2.200 | 1.900 | .150 | .150 | 1.850 |
| 42 | 58.42 | 50.80 | 3.81 | 3.81 | 49.53 |
| | 2.300 | 2.000 | .150 | .150 | 1.950 |
| 44 | 60.96 | 53.34 | 3.81 | 3.81 | 52.07 |
| | 2.400 | 2.100 | .150 | .150 | 2.050 |
| 46 | 63.50 | 55.88 | 3.81 | 3.81 | 54.61 |
| | 2.500 | 2.200 | .150 | .150 | 2.150 |
| 48 | 66.04 | 58.42 | 3.81 | 3.81 | 57.15 |
| | 2.600 | 2.300 | .150 | .150 | 2.250 |
| 50 | 68.58 | 60.96 | 3.81 | 3.81 | 59.69 |
| | 2.700 | 2.400 | .150 | .150 | 2.350 |
| 52 | 71.12 | 63.50 | 3.81 | 3.81 | 62.23 |
| | 2.800 | 2.500 | .150 | .150 | 2.450 |
| 54 | 73.66 | 66.04 | 3.81 | 3.81 | 64.77 |
| | 2.900 | 2.600 | .150 | .150 | 2.550 |
| 56 | 76.20 | 68.58 | 3.81 | 3.81 | 67.31 |
| | 3.000 | 2.700 | .150 | .150 | 2.650 |
| 58 | 78.74 | 71.12 | 3.81 | 3.81 | 69.85 |
| | 3.100 | 2.800 | .150 | .150 | 2.750 |
| 60 | 81.28 | 73.66 | 3.81 | 3.81 | 72.39 |
| | 3.200 | 2.900 | .150 | .150 | 2.850 |
| 62 | 83.82 | 76.20 | 3.81 | 3.81 | 74.93 |
| | 3.300 | 3.000 | .150 | .150 | 2.950 |
| 64 | 86.36 | 78.74 | 3.81 | 3.81 | 77.47 |
| | 3.400 | 3.100 | .150 | .150 | 3.050 |
| 66 | 88.90 | 81.28 | 3.81 | 3.81 | 80.01 |
| | 3.500 | 3.200 | .150 | .150 | 3.150 |
| 68 | 91.44 | 83.82 | 3.81 | 3.81 | 82.55 |
| | 3.600 | 3.300 | .150 | .150 | 3.250 |
| 70 | 93.98 | 86.36 | 3.81 | 3.81 | 85.09 |
| | 3.700 | 3.400 | .150 | .150 | 3.350 |
| 72 | 96.52 | 88.90 | 3.81 | 3.81 | 87.63 |
| | 3.800 | 3.500 | .150 | .150 | 3.450 |

| | | | | | | | | | | |
|--|--------------------------------------|---------------------------------------|------|-----------------|--|--------------------|--------------|--|--|--|
| CORRECT PCB HOLE SIZE IEC NO: UCP2011-0294 DRWN:MS BARRA 2010/08/02 CHKD:DWORGAN 1988/03/10 APPR:MBANKS 2010/08/03 | QUALITY SYMBOLS ▽=0 ▽=0 ▽=0 | GENERAL TOLERANCES (UNLESS SPECIFIED) | | DIMENSION STYLE | | SCALE | DESIGN UNITS | THIRD ANGLE PROJECTION | | |
| | | mm | INCH | MM/IN | | 4:1 | INCH | | | |
| | | DRAWN BY DATE | | CHECKED BY DATE | | APPROVED BY DATE | | 4 SIDES SHROUDED HEADER HIGH TEMP, (2.54)/.100 GRID W/ (.64)/.025 PINS MOLEX MOLEX INCORPORATED | | |
| | | EIK 1988/03/10 | | EIK 1988/03/10 | | SMILLER 2010/03/31 | | | | |
| DRAFT WHERE APPLICABLE MUST REMAIN WITHIN DIMENSIONS | | SEE TABLE | | MATERIAL NO. | | DOCUMENT NO. | | SHEET NO. | | |
| | | | | C | | SDA-70567-**** | | 2 OF 5 | | |
| THIS DRAWING CONTAINS INFORMATION THAT IS PROPRIETARY TO MOLEX INCORPORATED AND SHOULD NOT BE USED WITHOUT WRITTEN PERMISSION | | | | | | | | | | |

| 20 | 19 | 18 | 17 | 16 | 15 | 14 | 13 | 12 | 11 | 10 | 9 | 8 | 7 | 6 | 5 | 4 | 3 | 2 | 1 |
|-------------------------------|----------------------------|-------------|----------------|-----------------------|-------------|------------------------|-------------|---------------------------------|----|----|---|---|---|---|---|---|---|---|---|
| ENGINEERING NUMBER A-70567 | MANUFACTURE RELEASE STATUS | E REF. | C ±.015 (0.38) | CONNECTOR END PLATING | | P.C. BOARD END PLATING | | PACKAGING INFORMATION PK-70873- | | | | | | | | | | | |
| | | | | TYPE | D MEAS. | TYPE | F MEAS. | | | | | | | | | | | | |
| -0001/-0034 | R.F.M. | .130 (3.30) | .315 (8.00) | TIN | .100 (2.54) | TIN | .050 (1.27) | 0018 | | | | | | | | | | | |
| -0035/-0068 | R.F.M. | .200 (5.08) | .315 (8.00) | TIN | .100 (2.54) | TIN | .050 (1.27) | 0018 | | | | | | | | | | | |
| -0069/-0102 | R.F.M. | .190 (3.30) | .315 (8.00) | 15 GOLD | .100 (2.54) | TIN | .050 (1.27) | 0018 | | | | | | | | | | | |
| -0103/-0136 | R.F.M. | .200 (5.08) | .315 (8.00) | 15 GOLD | .100 (2.54) | TIN | .050 (1.27) | 0018 | | | | | | | | | | | |
| -0137/-0170 | R.F.M. | .130 (3.30) | .315 (8.00) | 30 GOLD | .100 (2.54) | TIN | .050 (1.27) | 0018 | | | | | | | | | | | |
| -0171/-0204 | R.F.M. | .200 (5.08) | .315 (8.00) | 30 GOLD | .100 (2.54) | TIN | .050 (1.27) | 0018 | | | | | | | | | | | |

| NO. OF CKTS | OPTION "A" | | OPTION "A" | | OPTION "A" | | OPTION "A" | | OPTION "A" | | OPTION "A" | | | | | | | | NO. OF CKTS |
|-------------|------------|--------------|------------|--------------|------------|--------------|------------|--------------|------------|--------------|------------|--------------|------------|------------|------------|------------|------------|------------|-------------|
| | EDP NUMBER | ENG NUMBER | EDP NUMBER | ENG NUMBER | EDP NUMBER | ENG NUMBER | EDP NUMBER | ENG NUMBER | EDP NUMBER | ENG NUMBER | EDP NUMBER | ENG NUMBER | EDP NUMBER | ENG NUMBER | EDP NUMBER | ENG NUMBER | EDP NUMBER | ENG NUMBER | |
| 06 | 15-80-0061 | A-70567-0001 | 70567-0035 | A-70567-0035 | 15-80-0063 | A-70567-0069 | 70567-0103 | A-70567-0103 | 15-80-0065 | A-70567-0137 | 70567-0171 | A-70567-0171 | | | | | | | 06 |
| 08 | 15-80-0081 | A-70567-0002 | 70567-0036 | A-70567-0036 | 15-80-0083 | A-70567-0070 | 70567-0104 | A-70567-0104 | 15-80-0085 | A-70567-0138 | 70567-0172 | A-70567-0172 | | | | | | | 08 |
| 10 | 15-80-0101 | A-70567-0003 | 70567-0037 | A-70567-0037 | 15-80-0103 | A-70567-0071 | 70567-0105 | A-70567-0105 | 15-80-0105 | A-70567-0139 | 70567-0173 | A-70567-0173 | | | | | | | 10 |
| 12 | 15-80-0121 | A-70567-0004 | 70567-0038 | A-70567-0038 | 15-80-0123 | A-70567-0072 | 70567-0106 | A-70567-0106 | 15-80-0125 | A-70567-0140 | 70567-0174 | A-70567-0174 | | | | | | | 12 |
| 14 | 15-80-0141 | A-70567-0005 | 70567-0039 | A-70567-0039 | 15-80-0143 | A-70567-0073 | 70567-0107 | A-70567-0107 | 15-80-0145 | A-70567-0141 | 70567-0175 | A-70567-0175 | | | | | | | 14 |
| 16 | 15-80-0161 | A-70567-0006 | 70567-0040 | A-70567-0040 | 15-80-0163 | A-70567-0074 | 70567-0108 | A-70567-0108 | 15-80-0165 | A-70567-0142 | 70567-0176 | A-70567-0176 | | | | | | | 16 |
| 18 | 15-80-0181 | A-70567-0007 | 70567-0041 | A-70567-0041 | 15-80-0183 | A-70567-0075 | 70567-0109 | A-70567-0109 | 15-80-0185 | A-70567-0143 | 70567-0177 | A-70567-0177 | | | | | | | 18 |
| 20 | 15-80-0201 | A-70567-0008 | 70567-0042 | A-70567-0042 | 15-80-0203 | A-70567-0076 | 70567-0110 | A-70567-0110 | 15-80-0205 | A-70567-0144 | 70567-0178 | A-70567-0178 | | | | | | | 20 |
| 22 | 15-80-0221 | A-70567-0009 | 70567-0043 | A-70567-0043 | 15-80-0223 | A-70567-0077 | 70567-0111 | A-70567-0111 | 15-80-0225 | A-70567-0145 | 70567-0179 | A-70567-0179 | | | | | | | 22 |
| 24 | 15-80-0241 | A-70567-0010 | 70567-0044 | A-70567-0044 | 15-80-0243 | A-70567-0078 | 70567-0112 | A-70567-0112 | 15-80-0245 | A-70567-0146 | 70567-0180 | A-70567-0180 | | | | | | | 24 |
| 26 | 15-80-0261 | A-70567-0011 | 70567-0045 | A-70567-0045 | 15-80-0263 | A-70567-0079 | 70567-0113 | A-70567-0113 | 15-80-0265 | A-70567-0147 | 70567-0181 | A-70567-0181 | | | | | | | 26 |
| 28 | 15-80-0281 | A-70567-0012 | 70567-0046 | A-70567-0046 | 15-80-0283 | A-70567-0080 | 70567-0114 | A-70567-0114 | 15-80-0285 | A-70567-0148 | 70567-0182 | A-70567-0182 | | | | | | | 28 |
| 30 | 15-80-0301 | A-70567-0013 | 70567-0047 | A-70567-0047 | 15-80-0303 | A-70567-0081 | 70567-0115 | A-70567-0115 | 15-80-0305 | A-70567-0149 | 70567-0183 | A-70567-0183 | | | | | | | 30 |
| 32 | 15-80-0321 | A-70567-0014 | 70567-0048 | A-70567-0048 | 15-80-0323 | A-70567-0082 | 70567-0116 | A-70567-0116 | 15-80-0325 | A-70567-0150 | 70567-0184 | A-70567-0184 | | | | | | | 32 |
| 34 | 15-80-0341 | A-70567-0015 | 70567-0049 | A-70567-0049 | 15-80-0343 | A-70567-0083 | 70567-0117 | A-70567-0117 | 15-80-0345 | A-70567-0151 | 70567-0185 | A-70567-0185 | | | | | | | 34 |
| 36 | 15-80-0361 | A-70567-0016 | 70567-0050 | A-70567-0050 | 15-80-0363 | A-70567-0084 | 70567-0118 | A-70567-0118 | 15-80-0365 | A-70567-0152 | 70567-0186 | A-70567-0186 | | | | | | | 36 |
| 38 | 15-80-0381 | A-70567-0017 | 70567-0051 | A-70567-0051 | 15-80-0383 | A-70567-0085 | 70567-0119 | A-70567-0119 | 15-80-0385 | A-70567-0153 | 70567-0187 | A-70567-0187 | | | | | | | 38 |
| 40 | 15-80-0401 | A-70567-0018 | 70567-0052 | A-70567-0052 | 15-80-0403 | A-70567-0086 | 70567-0120 | A-70567-0120 | 15-80-0405 | A-70567-0154 | 70567-0188 | A-70567-0188 | | | | | | | 40 |
| 42 | 15-80-0421 | A-70567-0019 | 70567-0053 | A-70567-0053 | 15-80-0423 | A-70567-0087 | 70567-0121 | A-70567-0121 | 15-80-0425 | A-70567-0155 | 70567-0189 | A-70567-0189 | | | | | | | 42 |
| 44 | 15-80-0441 | A-70567-0020 | 70567-0054 | A-70567-0054 | 15-80-0443 | A-70567-0088 | 70567-0122 | A-70567-0122 | 15-80-0445 | A-70567-0156 | 70567-0190 | A-70567-0190 | | | | | | | 44 |
| 46 | 15-80-0461 | A-70567-0021 | 70567-0055 | A-70567-0055 | 15-80-0463 | A-70567-0089 | 70567-0123 | A-70567-0123 | 15-80-0465 | A-70567-0157 | 70567-0191 | A-70567-0191 | | | | | | | 46 |
| 48 | 15-80-0481 | A-70567-0022 | 70567-0056 | A-70567-0056 | 15-80-0483 | A-70567-0090 | 70567-0124 | A-70567-0124 | 15-80-0485 | A-70567-0158 | 70567-0192 | A-70567-0192 | | | | | | | 48 |
| 50 | 15-80-0501 | A-70567-0023 | 70567-0057 | A-70567-0057 | 15-80-0503 | A-70567-0091 | 70567-0125 | A-70567-0125 | 15-80-0505 | A-70567-0159 | 70567-0193 | A-70567-0193 | | | | | | | 50 |
| 52 | 15-80-0521 | A-70567-0024 | 70567-0058 | A-70567-0058 | 15-80-0523 | A-70567-0092 | 70567-0126 | A-70567-0126 | 15-80-0525 | A-70567-0160 | 70567-0194 | A-70567-0194 | | | | | | | 52 |
| 54 | 15-80-0541 | A-70567-0025 | 70567-0059 | A-70567-0059 | 15-80-0543 | A-70567-0093 | 70567-0127 | A-70567-0127 | 15-80-0545 | A-70567-0161 | 70567-0195 | A-70567-0195 | | | | | | | 54 |
| 56 | 15-80-0561 | A-70567-0026 | 70567-0060 | A-70567-0060 | 15-80-0563 | A-70567-0094 | 70567-0128 | A-70567-0128 | 15-80-0565 | A-70567-0162 | 70567-0196 | A-70567-0196 | | | | | | | 56 |
| 58 | 15-80-0581 | A-70567-0027 | 70567-0061 | A-70567-0061 | 15-80-0583 | A-70567-0095 | 70567-0129 | A-70567-0129 | 15-80-0585 | A-70567-0163 | 70567-0197 | A-70567-0197 | | | | | | | 58 |
| 60 | 15-80-0601 | A-70567-0028 | 70567-0062 | A-70567-0062 | 15-80-0603 | A-70567-0096 | 70567-0130 | A-70567-0130 | 15-80-0605 | A-70567-0164 | 70567-0198 | A-70567-0198 | | | | | | | 60 |
| 62 | 15-80-0621 | A-70567-0029 | 70567-0063 | A-70567-0063 | 15-80-0623 | A-70567-0097 | 70567-0131 | A-70567-0131 | 15-80-0625 | A-70567-0165 | 70567-0199 | A-70567-0199 | | | | | | | 62 |
| 64 | 15-80-0641 | A-70567-0030 | 70567-0064 | A-70567-0064 | 15-80-0643 | A-70567-0098 | 70567-0132 | A-70567-0132 | 15-80-0645 | A-70567-0166 | 70567-0200 | A-70567-0200 | | | | | | | 64 |
| 66 | 15-80-0661 | A-70567-0031 | 70567-0065 | A-70567-0065 | 15-80-0663 | A-70567-0099 | 70567-0133 | A-70567-0133 | 15-80-0665 | A-70567-0167 | 70567-0201 | A-70567-0201 | | | | | | | 66 |
| 68 | 15-80-0681 | A-70567-0032 | 70567-0066 | A-70567-0066 | 15-80-0683 | A-70567-0100 | 70567-0134 | A-70567-0134 | 15-80-0685 | A-70567-0168 | 70567-0202 | A-70567-0202 | | | | | | | 68 |
| 70 | 15-80-0701 | A-70567-0033 | 70567-0067 | A-70567-0067 | 15-80-0703 | A-70567-0101 | 70567-0135 | A-70567-0135 | 15-80-0705 | A-70567-0169 | 70567-0203 | A-70567-0203 | | | | | | | 70 |
| 72 | 15-80-0721 | A-70567-0034 | 70567-0068 | A-70567-0068 | 15-80-0723 | A-70567-0102 | 70567-0136 | A-70567-0136 | 15-80-0725 | A-70567-0170 | 70567-0204 | A-70567-0204 | | | | | | | 72 |

| SEE SHEETS 1 & 2 EC NO: UCP2011-0294 J DRWING: BARBA 2010/08/02 CHKD: MORGAN 1988/03/10 APPR: HANNAH S. 2010/08/03 | QUALITY SYMBOLS ∇=0 ∇=0 ∇=0 | GENERAL TOLERANCES (UNLESS SPECIFIED) <table border="1"> <tr><th></th><th>mm</th><th>INCH</th></tr> <tr><td>4 PLACES ±</td><td>---</td><td>---</td></tr> <tr><td>3 PLACES ±</td><td>+.005</td><td>±.010</td></tr> <tr><td>2 PLACES ±</td><td>0.13</td><td>±.010</td></tr> <tr><td>1 PLACE ±</td><td>0.25</td><td>±</td></tr> </table> ANGULAR ±1/2° | | mm | INCH | 4 PLACES ± | --- | --- | 3 PLACES ± | +.005 | ±.010 | 2 PLACES ± | 0.13 | ±.010 | 1 PLACE ± | 0.25 | ± | DIMENSION STYLE MM/IN DRAWN BY DATE EIK 1988/03/10 CHECKED BY DATE EIK 1988/03/10 APPROVED BY DATE SMILLER 2010/03/31 | SCALE 1:1 DESIGN UNITS INCH THIRD ANGLE PROJECTION | TITLE 4 SIDES SHROUDED HEADER HIGH TEMP. (2.54)/.100 GRID W/ (.064)/.025 PINS | MOLEX INCORPORATED | MATERIAL NO. SDA-70567-**** | SHEET NO. 3 OF 5 |
|---|---|---|-------|--|------|------------|-----|-----|------------|-------|-------|------------|------|-------|-----------|------|---|---|--|---|---------------------------|---------------------------------------|---------------------|
| | | mm | INCH | | | | | | | | | | | | | | | | | | | | |
| | 4 PLACES ± | --- | --- | | | | | | | | | | | | | | | | | | | | |
| | 3 PLACES ± | +.005 | ±.010 | | | | | | | | | | | | | | | | | | | | |
| 2 PLACES ± | 0.13 | ±.010 | | | | | | | | | | | | | | | | | | | | | |
| 1 PLACE ± | 0.25 | ± | | | | | | | | | | | | | | | | | | | | | |
| DRAFT WHERE APPLICABLE MUST REMAIN WITHIN DIMENSIONS | | SEE TABLE | | THIS DRAWING CONTAINS INFORMATION THAT IS PROPRIETARY TO MOLEX INCORPORATED AND SHOULD NOT BE USED WITHOUT WRITTEN PERMISSION | | | | | | | | | | | | | | | | | | | |

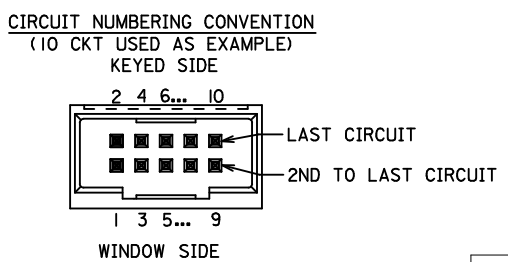
| ENGINEERING NUMBER A-70567 | MANUFACTURE RELEASE STATUS | E REF. | C ±.015 (0.38) | CONNECTOR END PLATING | | | P.C. BOARD END PLATING | | | PACKAGING INFORMATION PK-70873- |
|-------------------------------|----------------------------|----------------|----------------------|-----------------------|----------------|------|------------------------|------|--|------------------------------------|
| | | | | TYPE | D MEAS. | TYPE | F MEAS. | | | |
| | | | | | | | | | | |
| -0205/-0238 | R.F.M. | .130 (3.30) | .315 (8.00) | TIN | .100 (2.54) | TIN | .050 (1.27) | 0018 | | |
| -0239/-0272 | R.F.M. | .200 (5.08) | .315 (8.00) | TIN | .100 (2.54) | TIN | .050 (1.27) | 0018 | | |
| -0273/-0306 | R.F.M. | .130 (3.30) | .315 (8.00) | 15 GOLD | .100 (2.54) | TIN | .050 (1.27) | 0018 | | |
| -0307/-0340 | R.F.M. | .200 (5.08) | .315 (8.00) | 15 GOLD | .100 (2.54) | TIN | .050 (1.27) | 0018 | | |
| -0341/-0374 | R.F.M. | .130 (3.30) | .315 (8.00) | 30 GOLD | .100 (2.54) | TIN | .050 (1.27) | 0018 | | |
| -0375/-0408 | R.F.M. | .200 (5.08) | .315 (8.00) | 30 GOLD | .100 (2.54) | TIN | .050 (1.27) | 0018 | | |

| NO. OF CKTS | OPTION "B" | | OPTION "B" | | OPTION "B" | | OPTION "B" | | OPTION "B" | | OPTION "B" | | | | | | NO. OF CKTS |
|-------------|------------|--------------|------------|--------------|------------|--------------|------------|--------------|------------|--------------|------------|--------------|------------|------------|------------|------------|-------------|
| | EDP NUMBER | ENG NUMBER | EDP NUMBER | ENG NUMBER | EDP NUMBER | ENG NUMBER | EDP NUMBER | ENG NUMBER | EDP NUMBER | ENG NUMBER | EDP NUMBER | ENG NUMBER | EDP NUMBER | ENG NUMBER | EDP NUMBER | ENG NUMBER | |
| 06 | 15-80-0067 | A-70567-0205 | 70567-0239 | A-70567-0239 | 15-80-0069 | A-70567-0273 | 70567-0307 | A-70567-0307 | 15-80-1061 | A-70567-0341 | 70567-0375 | A-70567-0375 | | | | | 06 |
| 08 | 15-80-0087 | A-70567-0206 | 70567-0240 | A-70567-0240 | 15-80-0089 | A-70567-0274 | 70567-0308 | A-70567-0308 | 15-80-1081 | A-70567-0342 | 70567-0376 | A-70567-0376 | | | | | 08 |
| 10 | 15-80-0107 | A-70567-0207 | 70567-0241 | A-70567-0241 | 15-80-0109 | A-70567-0275 | 70567-0309 | A-70567-0309 | 15-80-1101 | A-70567-0343 | 70567-0377 | A-70567-0377 | | | | | 10 |
| 12 | 15-80-0127 | A-70567-0208 | 70567-0242 | A-70567-0242 | 15-80-0129 | A-70567-0276 | 70567-0310 | A-70567-0310 | 15-80-1121 | A-70567-0344 | 70567-0378 | A-70567-0378 | | | | | 12 |
| 14 | 15-80-0147 | A-70567-0209 | 70567-0243 | A-70567-0243 | 15-80-0149 | A-70567-0277 | 70567-0311 | A-70567-0311 | 15-80-1141 | A-70567-0345 | 70567-0379 | A-70567-0379 | | | | | 14 |
| 16 | 15-80-0167 | A-70567-0210 | 70567-0244 | A-70567-0244 | 15-80-0169 | A-70567-0278 | 70567-0312 | A-70567-0312 | 15-80-1161 | A-70567-0346 | 70567-0380 | A-70567-0380 | | | | | 16 |
| 18 | 15-80-0187 | A-70567-0211 | 70567-0245 | A-70567-0245 | 15-80-0189 | A-70567-0279 | 70567-0313 | A-70567-0313 | 15-80-1181 | A-70567-0347 | 70567-0381 | A-70567-0381 | | | | | 18 |
| 20 | 15-80-0207 | A-70567-0212 | 70567-0246 | A-70567-0246 | 15-80-0209 | A-70567-0280 | 70567-0314 | A-70567-0314 | 15-80-1201 | A-70567-0348 | 70567-0382 | A-70567-0382 | | | | | 20 |
| 22 | 15-80-0227 | A-70567-0213 | 70567-0247 | A-70567-0247 | 15-80-0229 | A-70567-0281 | 70567-0315 | A-70567-0315 | 15-80-1221 | A-70567-0349 | 70567-0383 | A-70567-0383 | | | | | 22 |
| 24 | 15-80-0247 | A-70567-0214 | 70567-0248 | A-70567-0248 | 15-80-0249 | A-70567-0282 | 70567-0316 | A-70567-0316 | 15-80-1241 | A-70567-0350 | 70567-0384 | A-70567-0384 | | | | | 24 |
| 26 | 15-80-0267 | A-70567-0215 | 70567-0249 | A-70567-0249 | 15-80-0269 | A-70567-0283 | 70567-0317 | A-70567-0317 | 15-80-1261 | A-70567-0351 | 70567-0385 | A-70567-0385 | | | | | 26 |
| 28 | 15-80-0287 | A-70567-0216 | 70567-0250 | A-70567-0250 | 15-80-0289 | A-70567-0284 | 70567-0318 | A-70567-0318 | 15-80-1281 | A-70567-0352 | 70567-0386 | A-70567-0386 | | | | | 28 |
| 30 | 15-80-0307 | A-70567-0217 | 70567-0251 | A-70567-0251 | 15-80-0309 | A-70567-0285 | 70567-0319 | A-70567-0319 | 15-80-1301 | A-70567-0353 | 70567-0387 | A-70567-0387 | | | | | 30 |
| 32 | 15-80-0327 | A-70567-0218 | 70567-0252 | A-70567-0252 | 15-80-0329 | A-70567-0286 | 70567-0320 | A-70567-0320 | 15-80-1321 | A-70567-0354 | 70567-0388 | A-70567-0388 | | | | | 32 |
| 34 | 15-80-0347 | A-70567-0219 | 70567-0253 | A-70567-0253 | 15-80-0349 | A-70567-0287 | 70567-0321 | A-70567-0321 | 15-80-1341 | A-70567-0355 | 70567-0389 | A-70567-0389 | | | | | 34 |
| 36 | 15-80-0367 | A-70567-0220 | 70567-0254 | A-70567-0254 | 15-80-0369 | A-70567-0288 | 70567-0322 | A-70567-0322 | 15-80-1361 | A-70567-0356 | 70567-0390 | A-70567-0390 | | | | | 36 |
| 38 | 15-80-0387 | A-70567-0221 | 70567-0255 | A-70567-0255 | 15-80-0389 | A-70567-0289 | 70567-0323 | A-70567-0323 | 15-80-1381 | A-70567-0357 | 70567-0391 | A-70567-0391 | | | | | 38 |
| 40 | 15-80-0407 | A-70567-0222 | 70567-0256 | A-70567-0256 | 15-80-0409 | A-70567-0290 | 70567-0324 | A-70567-0324 | 15-80-1401 | A-70567-0358 | 70567-0392 | A-70567-0392 | | | | | 40 |
| 42 | 15-80-0427 | A-70567-0223 | 70567-0257 | A-70567-0257 | 15-80-0429 | A-70567-0291 | 70567-0325 | A-70567-0325 | 15-80-1421 | A-70567-0359 | 70567-0393 | A-70567-0393 | | | | | 42 |
| 44 | 15-80-0447 | A-70567-0224 | 70567-0258 | A-70567-0258 | 15-80-0449 | A-70567-0292 | 70567-0326 | A-70567-0326 | 15-80-1441 | A-70567-0360 | 70567-0394 | A-70567-0394 | | | | | 44 |
| 46 | 15-80-0467 | A-70567-0225 | 70567-0259 | A-70567-0259 | 15-80-0469 | A-70567-0293 | 70567-0327 | A-70567-0327 | 15-80-1461 | A-70567-0361 | 70567-0395 | A-70567-0395 | | | | | 46 |
| 48 | 15-80-0487 | A-70567-0226 | 70567-0260 | A-70567-0260 | 15-80-0489 | A-70567-0294 | 70567-0328 | A-70567-0328 | 15-80-1481 | A-70567-0362 | 70567-0396 | A-70567-0396 | | | | | 48 |
| 50 | 15-80-0507 | A-70567-0227 | 70567-0261 | A-70567-0261 | 15-80-0509 | A-70567-0295 | 70567-0329 | A-70567-0329 | 15-80-1501 | A-70567-0363 | 70567-0397 | A-70567-0397 | | | | | 50 |
| 52 | 15-80-0527 | A-70567-0228 | 70567-0262 | A-70567-0262 | 15-80-0529 | A-70567-0296 | 70567-0330 | A-70567-0330 | 15-80-1521 | A-70567-0364 | 70567-0398 | A-70567-0398 | | | | | 52 |
| 54 | 15-80-0547 | A-70567-0229 | 70567-0263 | A-70567-0263 | 15-80-0549 | A-70567-0297 | 70567-0331 | A-70567-0331 | 15-80-1541 | A-70567-0365 | 70567-0399 | A-70567-0399 | | | | | 54 |
| 56 | 15-80-0567 | A-70567-0230 | 70567-0264 | A-70567-0264 | 15-80-0569 | A-70567-0298 | 70567-0332 | A-70567-0332 | 15-80-1561 | A-70567-0366 | 70567-0400 | A-70567-0400 | | | | | 56 |
| 58 | 15-80-0587 | A-70567-0231 | 70567-0265 | A-70567-0265 | 15-80-0589 | A-70567-0299 | 70567-0333 | A-70567-0333 | 15-80-1581 | A-70567-0367 | 70567-0401 | A-70567-0401 | | | | | 58 |
| 60 | 15-80-0607 | A-70567-0232 | 70567-0266 | A-70567-0266 | 15-80-0609 | A-70567-0300 | 70567-0334 | A-70567-0334 | 15-80-1601 | A-70567-0368 | 70567-0402 | A-70567-0402 | | | | | 60 |
| 62 | 15-80-0627 | A-70567-0233 | 70567-0267 | A-70567-0267 | 15-80-0629 | A-70567-0301 | 70567-0335 | A-70567-0335 | 15-80-1621 | A-70567-0369 | 70567-0403 | A-70567-0403 | | | | | 62 |
| 64 | 15-80-0647 | A-70567-0234 | 70567-0268 | A-70567-0268 | 15-80-0649 | A-70567-0302 | 70567-0336 | A-70567-0336 | 15-80-1641 | A-70567-0370 | 70567-0404 | A-70567-0404 | | | | | 64 |
| 66 | 15-80-0667 | A-70567-0235 | 70567-0269 | A-70567-0269 | 15-80-0669 | A-70567-0303 | 70567-0337 | A-70567-0337 | 15-80-1661 | A-70567-0371 | 70567-0405 | A-70567-0405 | | | | | 66 |
| 68 | 15-80-0687 | A-70567-0236 | 70567-0270 | A-70567-0270 | 15-80-0689 | A-70567-0304 | 70567-0338 | A-70567-0338 | 15-80-1681 | A-70567-0372 | 70567-0406 | A-70567-0406 | | | | | 68 |
| 70 | 15-80-0707 | A-70567-0237 | 70567-0271 | A-70567-0271 | 15-80-0709 | A-70567-0305 | 70567-0339 | A-70567-0339 | 15-80-1701 | A-70567-0373 | 70567-0407 | A-70567-0407 | | | | | 70 |
| 72 | 15-80-0727 | A-70567-0238 | 70567-0272 | A-70567-0272 | 15-80-0729 | A-70567-0306 | 70567-0340 | A-70567-0340 | 15-80-1721 | A-70567-0374 | 70567-0408 | A-70567-0408 | | | | | 72 |

| | | | | | | | | | | | | | |
|--|---|---|--|----------------------------------|--|---|--|-----------------------------|--|---|--|----------------------------|--|
| SEE SHEETS 1 & 2 EC NO: UCT2011-0294 DRAWN(S) BARRA CHKD MORGAN 1988/03/10 APPR: BARRA 2010/08/03 | QUALITY SYMBOLS ∇=0 ∇=0 ∇=0 | GENERAL TOLERANCES (UNLESS SPECIFIED) mm INCH | | DIMENSION STYLE MM/IN | | SCALE 1:1 | | DESIGN UNITS INCH | | THIRD ANGLE PROJECTION | | | |
| | | 4 PLACES ±.005 3 PLACES ±.010 2 PLACES ±.015 1 PLACE ±.025 | | ±.005 ±.010 ±.015 ±.025 | | DATE 1988/03/10 | | DATE 1988/03/10 | | 4 SIDES SHROUDED HEADER HIGH TEMP. (2.54)/100 GRID W/ (0.64)/0.25 PINS | | | |
| | | ANGULAR ±1/2° | | MATERIAL NO. SEE TABLE | | APPROVED BY MILLER DATE 2010/03/31 | | MOLEX INCORPORATED | | DOCUMENT NO. SDA-70567-**** | | SHEET NO. 4 OF 5 | |
| | | DRAFT WHERE APPLICABLE MUST REMAIN WITHIN DIMENSIONS | | | | | | | | | | | |

SPECIAL - WITH VOIDS

| CKTS SIZE | ENGINEERING NUMBER A-70567 | EDP NUMBER | E REF. | C $\pm \frac{.015}{(0.38)}$ | K $\pm \frac{.015}{(0.38)}$ | VOID CKTS | CONNECTOR END PLATING | | P.C. BOARD END PLATING | | PACKAGING INFORMATION PK-70873- |
|-----------|-------------------------------|------------|----------------|--------------------------------|--------------------------------|-----------|-----------------------|----------------|------------------------|----------------|------------------------------------|
| | | | | | | | TYPE | D MEAS. | TYPE | F MEAS. | |
| 10 | -9003 | 70567-9003 | .130 (3.30) | .315 (8.00) | .415 (10.54) | 10 | GOLD | .100 (2.54) | TIN | .050 (.127) | 0018 |
| | | | | | | | | | | | |
| | | | | | | | | | | | |
| | | | | | | | | | | | |
| | | | | | | | | | | | |
| | | | | | | | | | | | |
| | | | | | | | | | | | |
| | | | | | | | | | | | |
| | | | | | | | | | | | |
| | | | | | | | | | | | |
| | | | | | | | | | | | |
| | | | | | | | | | | | |
| | | | | | | | | | | | |
| | | | | | | | | | | | |
| | | | | | | | | | | | |
| | | | | | | | | | | | |
| | | | | | | | | | | | |
| | | | | | | | | | | | |
| | | | | | | | | | | | |



| | | | | | | |
|---|-----------------|--|--------------------------|---|----------------------|------------------------|
| SEE SHEETS 1 & 2 EC NO: UCP2011-0294 DRWN:MSIBARRA 2010/08/02 CHKD:DMORGAN 1988/03/10 APPR:MBANKIS 2010/08/03 | QUALITY SYMBOLS | GENERAL TOLERANCES (UNLESS SPECIFIED) | DIMENSION STYLE MM/IN | SCALE 4:1 | DESIGN UNITS INCH | THIRD ANGLE PROJECTION |
| | ▽=0 | mm INCH | DRAWN BY DATE | TITLE | | |
| | ▽=0 | 4 PLACES ± --- ± --- | EIK 1988/03/10 | 4 SIDES SHROUDED HEADER | | |
| | ▽=0 | 3 PLACES ± --- ±.005 | CHECKED BY DATE | HIGH TEMP. (2.54)/.100 | | |
| | | 2 PLACES ±0.13 ±.010 | EIK 1988/03/10 | GRID W/ (.64)/.025 PINS | | |
| | | 1 PLACE ±0.25 ± --- | APPROVED BY DATE | MOLEX INCORPORATED | | |
| | | ANGULAR ±1/2° | MILLER 2010/03/31 | MATERIAL NO. DOCUMENT NO. | | |
| | | DRAFT WHERE APPLICABLE MUST REMAIN WITHIN DIMENSIONS | SEE TABLE | SDA-70567-**** | | |
| | | | SIZE | THIS DRAWING CONTAINS INFORMATION THAT IS PROPRIETARY TO MOLEX INCORPORATED AND SHOULD NOT BE USED WITHOUT WRITTEN PERMISSION | | |
| | | | | SHEET NO. 5 OF 5 | | |

Компания «Океан Электроники» предлагает заключение долгосрочных отношений при поставках импортных электронных компонентов на взаимовыгодных условиях!

Наши преимущества:

- Поставка оригинальных импортных электронных компонентов напрямую с производств Америки, Европы и Азии, а так же с крупнейших складов мира;
- Широкая линейка поставок активных и пассивных импортных электронных компонентов (более 30 млн. наименований);
- Поставка сложных, дефицитных, либо снятых с производства позиций;
- Оперативные сроки поставки под заказ (от 5 рабочих дней);
- Экспресс доставка в любую точку России;
- Помощь Конструкторского Отдела и консультации квалифицированных инженеров;
- Техническая поддержка проекта, помощь в подборе аналогов, поставка прототипов;
- Поставка электронных компонентов под контролем ВП;
- Система менеджмента качества сертифицирована по Международному стандарту ISO 9001;
- При необходимости вся продукция военного и аэрокосмического назначения проходит испытания и сертификацию в лаборатории (по согласованию с заказчиком);
- Поставка специализированных компонентов военного и аэрокосмического уровня качества (Xilinx, Altera, Analog Devices, Intersil, Interpoint, Microsemi, Actel, Aeroflex, Peregrine, VPT, Syfer, Eurofarad, Texas Instruments, MS Kennedy, Miteq, Cobham, E2V, MA-COM, Hittite, Mini-Circuits, General Dynamics и др.);

Компания «Океан Электроники» является официальным дистрибьютором и эксклюзивным представителем в России одного из крупнейших производителей разъемов военного и аэрокосмического назначения «JONHON», а так же официальным дистрибьютором и эксклюзивным представителем в России производителя высокотехнологичных и надежных решений для передачи СВЧ сигналов «FORSTAR».



JONHON

«JONHON» (основан в 1970 г.)

Разъемы специального, военного и аэрокосмического назначения:

(Применяются в военной, авиационной, аэрокосмической, морской, железнодорожной, горно- и нефтедобывающей отраслях промышленности)

«FORSTAR» (основан в 1998 г.)

ВЧ соединители, коаксиальные кабели, кабельные сборки и микроволновые компоненты:

(Применяются в телекоммуникациях гражданского и специального назначения, в средствах связи, РЛС, а так же военной, авиационной и аэрокосмической отраслях промышленности).



Телефон: 8 (812) 309-75-97 (многоканальный)

Факс: 8 (812) 320-03-32

Электронная почта: ocean@oceanchips.ru

Web: <http://oceanchips.ru/>

Адрес: 198099, г. Санкт-Петербург, ул. Калинина, д. 2, корп. 4, лит. А