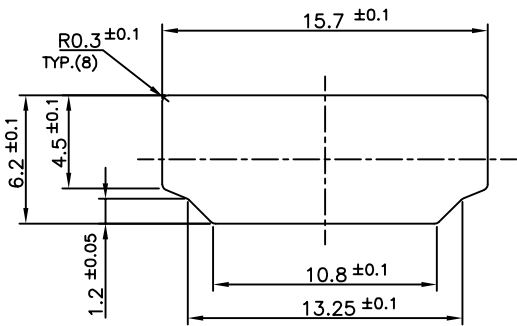
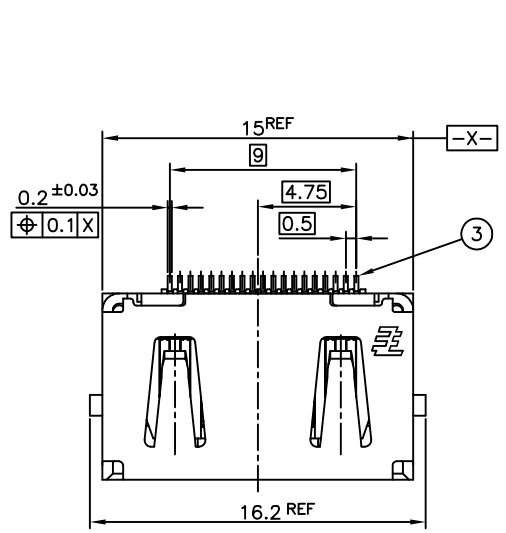
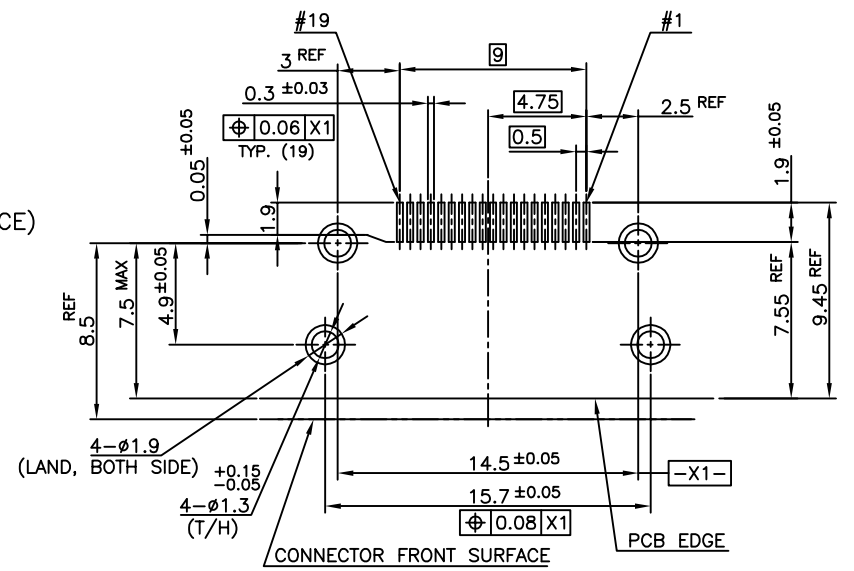




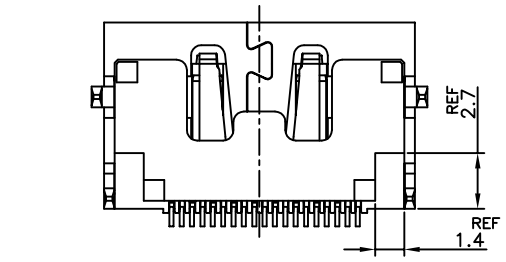
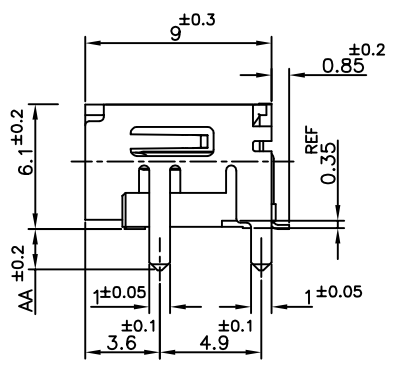
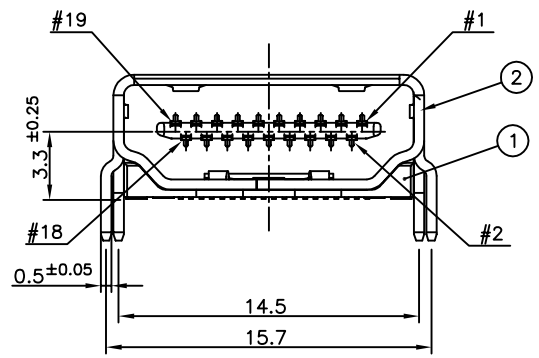
LOC	DIST	REVISIONS				
		P	LTR	DATE	DWN	APVD
		SEE SHEET 1				



PANEL CUT OUT DIMENSION (REFERENCE)



P.C.B LAYOUT (REFERENCE)  
SHOWN AS CONNECTOR MOUNTING SIDE  
TOLERANCE: NON-CUMULATIVE

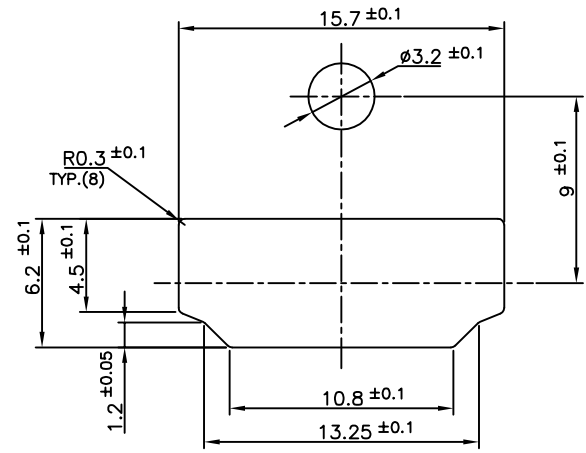
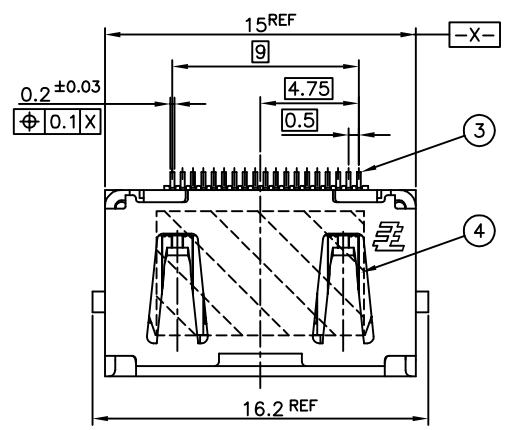


CONNECTOR: WITHOUT FLANGE THROUGH HOLE TYPE

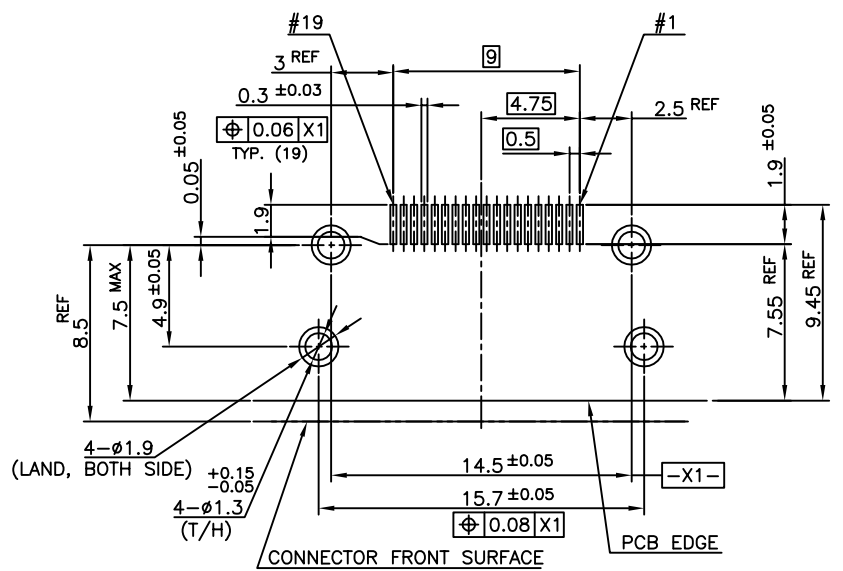
BRASS	CONTACT	(3)
PHOSPHOR BRONZE	SHELL	(2)
GLASS FILLED LCP UL94V-0, BLACK COLOR	HOUSING	(1)
MATERIAL	DESCRIPTION	ITEM

THIS DRAWING IS A CONTROLLED DOCUMENT.		DWN			
DIMENSIONS: 單位: 毫米 mm		CHK			
TOLERANCES UNLESS OTHERWISE SPECIFIED: 一般公差		APVD		NAME 名稱	
0 PLC ±		PRODUCT SPEC 製品規格		HDMI 19 POS RECEPTACLE ASSY SMT SHORT TYPE	
1 PLC ±		APPLICATION SPEC 取付適用規格		SIZE	
2 PLC ±		WEIGHT		CAGE CODE	
3 PLC ±		CUSTOMER DRAWING		DRAWING NO	
4 PLC ±		SCALE 尺度 4:1		SHEET 2 OF 12	
ANGLES ±		REV R		RESTRICTED TO	
FINISH 仕上		A3 00779		G=1903015	

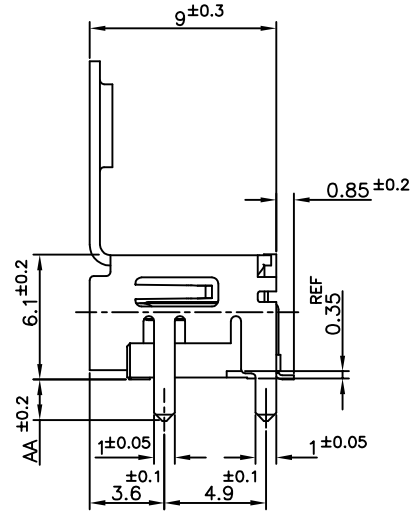
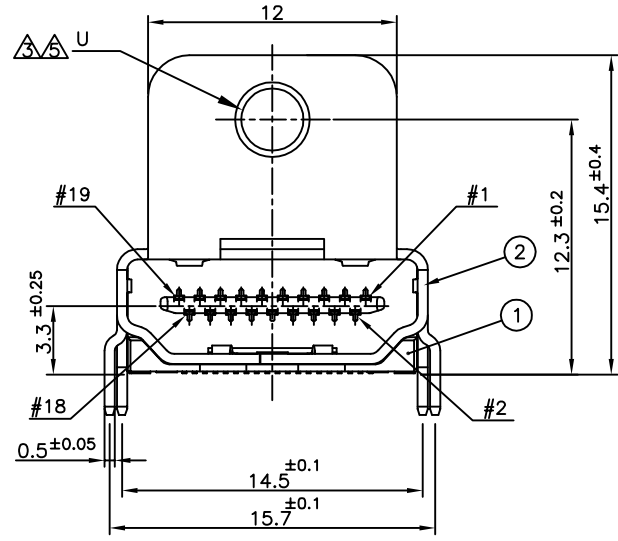
LOC	DIST	REVISIONS				
		P	LTR	DATE	DWN	APVD
		SEE SHEET 1				



PANEL CUT OUT DIMENSION (REFERENCE)

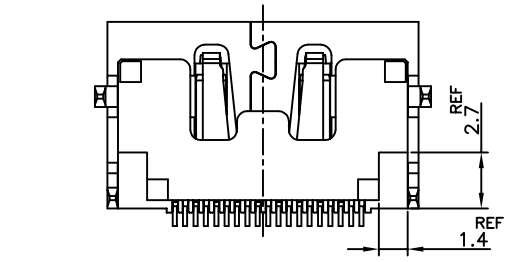


P.C.B LAYOUT (REFERENCE)  
SHOWN AS CONNECTOR MOUNTING SIDE  
TOLERANCE: NON-CUMULATIVE



CONNECTOR: WITH FLANGE THROUGH HOLE TYPE

MATERIAL	DESCRIPTION	ITEM
POLYIMIDE	TAPE	④
BRASS	CONTACT	③
PHOSPHOR BRONZE	SHELL	②
GLASS FILLED LCP UL94V-0, BLACK COLOR	HOUSING	①



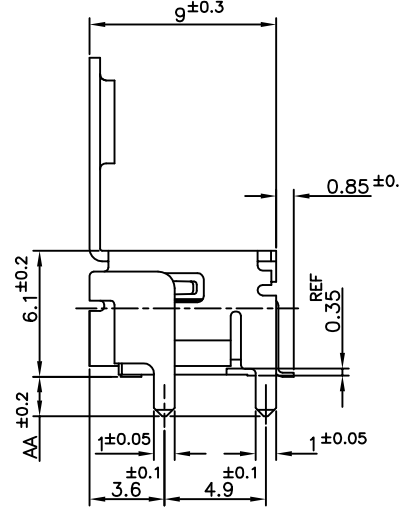
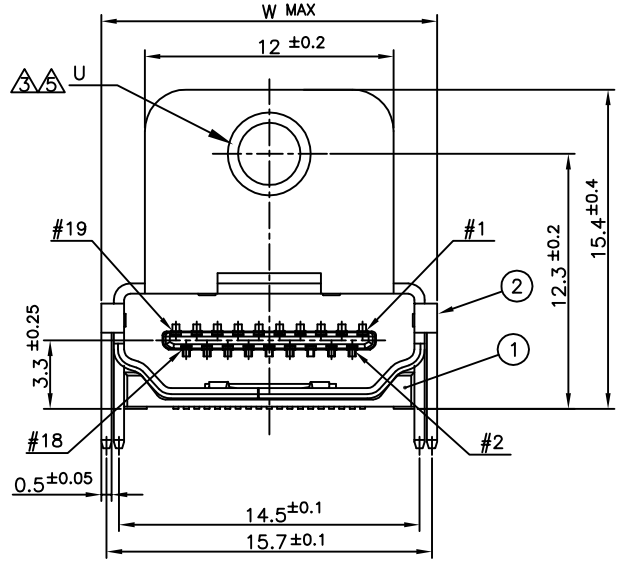
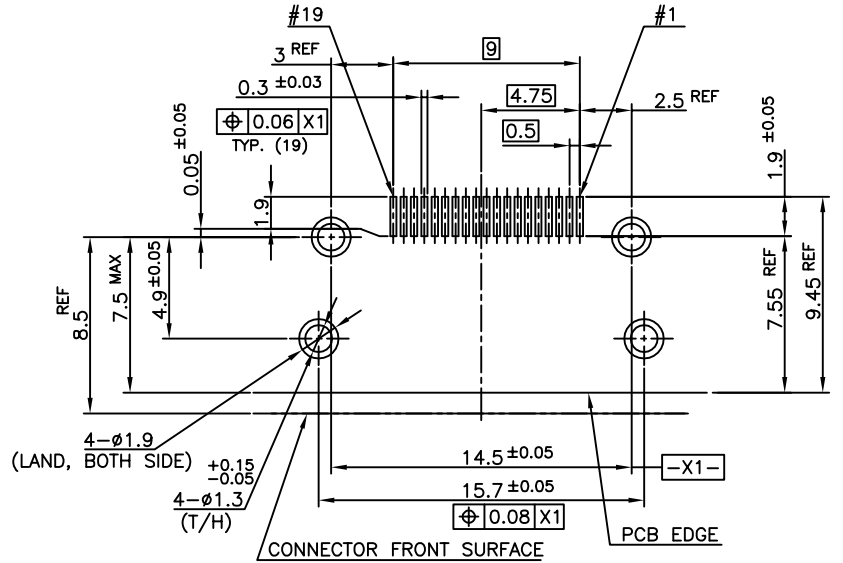
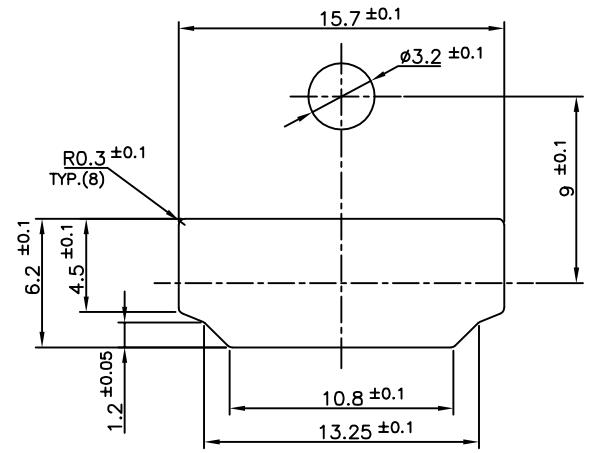
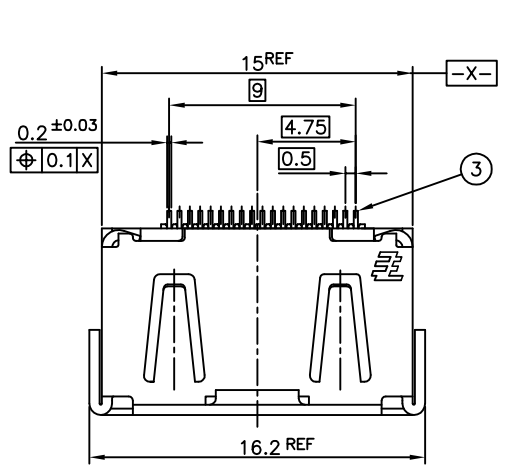
THIS DRAWING IS A CONTROLLED DOCUMENT.

DIMENSIONS: 單位: 毫米 mm	TOLERANCES UNLESS OTHERWISE SPECIFIED: 一般公差	DWN	CHK	APVD	NAME 名稱
0 PLC ±	1 PLC ±	PRODUCT SPEC 製品規格	HDMI 19 POS RECEPTACLE ASSY SMT SHORT TYPE		
2 PLC ±	3 PLC ±	APPLICATION SPEC 取付適用規格	SIZE	CAGE CODE	DRAWING NO 番号
4 PLC ±	ANGLES ±	WEIGHT	A3	00779	G=1903015
MATERIAL 材料	FINISH 仕上	CUSTOMER DRAWING	SCALE 尺度	SHEET 張数	REV
			4:1	3 OF 12	R

RESTRICTED TO

THIS DRAWING IS UNPUBLISHED. RELEASED FOR PUBLICATION SEP, 2005. ALL RIGHTS RESERVED.

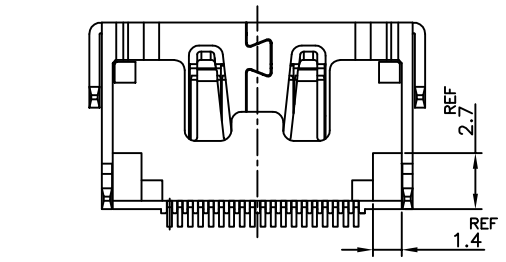
LOC		DIST		REVISIONS			DATE	DWN	APVD
				變更					
P	LTR	DESCRIPTION							
-	-	SEE SHEET 1			-	-	-	-	-



P.C.B LAYOUT (REFERENCE)  
SHOWN AS CONNECTOR MOUNTING SIDE  
TOLERANCE: NON-CUMULATIVE

POLYIMIDE	TAPE	(4)
BRASS	CONTACT	(3)
PHOSPHOR BRONZE	SHELL	(2)
GLASS FILLED LCP UL94V-0, BLACK COLOR	HOUSING	(1)
MATERIAL	DESCRIPTION	ITEM

CONNECTOR: WITH FLANGE THROUGH HOLE TYPE



THIS DRAWING IS A CONTROLLED DOCUMENT.

DIMENSIONS: 單位: 毫米 mm	TOLERANCES UNLESS OTHERWISE SPECIFIED: 一般公差	DWN	CHK	APVD	NAME 名稱
0 PLC ±	1 PLC ±	PRODUCT SPEC 製品規格	APPLICATION SPEC 取付適用規格	WEIGHT	SIZE A3
2 PLC ±	3 PLC ±	WEIGHT	CUSTOMER DRAWING	CAGE CODE 00779	DRAWING NO. C=1903015
4 PLC ±	ANGLES ±	FINISH 仕上	SCALE 尺度 4:1	SHEET 4 OF 12	REV R

TE Connectivity  
HDMI 19 POS RECEPTACLE ASSY  
SMT SHORT TYPE

RESTRICTED TO

THIS DRAWING IS UNPUBLISHED.

RELEASED FOR PUBLICATION

SEP ,2005.

© COPYRIGHT 2005 By -

ALL RIGHTS RESERVED.

LOC DIST

REVISIONS

変更

DESCRIPTION

DATE

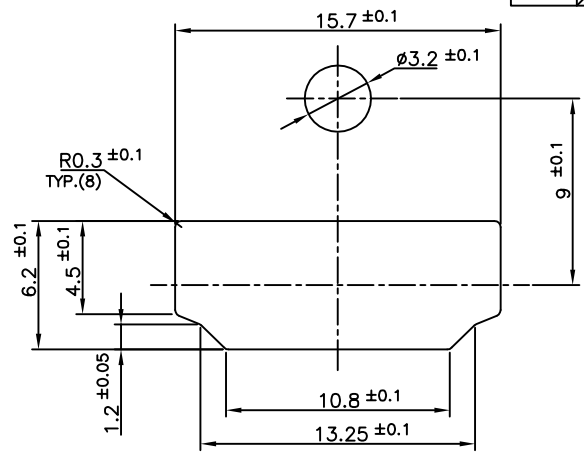
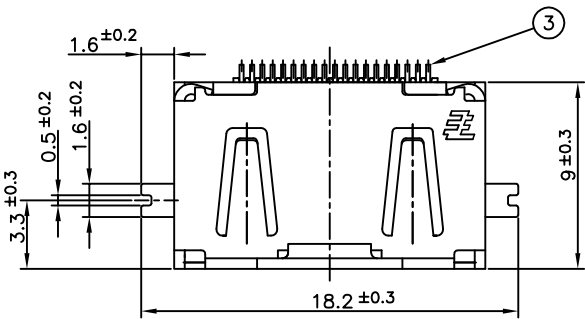
DWN

APVD

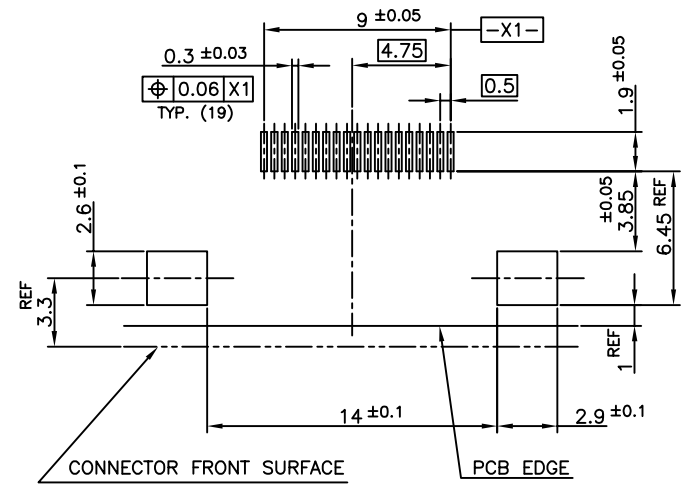
P

LTR

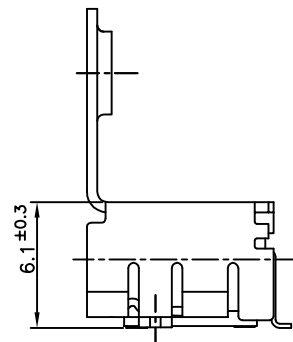
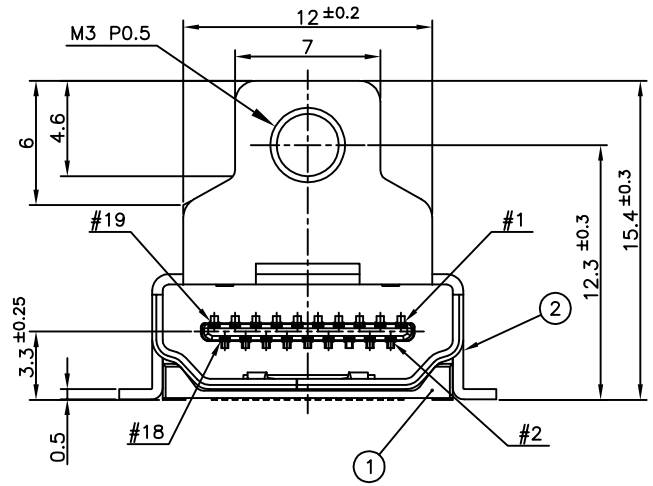
SEE SHEET 1



PANEL CUT OUT DIMENSION (REFERENCE)

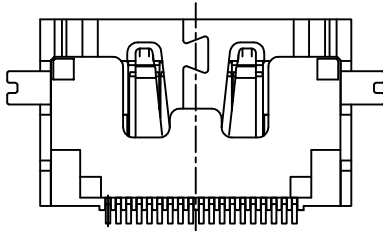


P.C.B LAYOUT (REFERENCE)  
SHOWN AS CONNECTOR MOUNTING SIDE  
TOLERANCE: NON-CUMULATIVE



CONNECTOR: WITH FLANGE FULL SMT TYPE

BRASS	CONTACT	③
PHOSPHOR BRONZE	SHELL	②
GLASS FILLED LCP UL94V-0, BLACK COLOR	HOUSING	①
MATERIAL	DESCRIPTION	ITEM



THIS DRAWING IS A CONTROLLED DOCUMENT.

DIMENSIONS: 單位: 毫米 mm	TOLERANCES UNLESS OTHERWISE SPECIFIED: 一般公差	DWN	TE Connectivity	
	0 PLC ±	CHK	NAME 名稱	
	1 PLC ±	APVD	HDMI 19 POS RECEPTACLE ASSY SMT SHORT TYPE	
	2 PLC ±	PRODUCT SPEC 製品規格	SIZE CAGE CODE DRAWING NO 番号	
	3 PLC ±	APPLICATION SPEC 取付適用規格	A3 00779 C=1903015	
MATERIAL 材料	4 PLC ±	WEIGHT	RESTRICTED TO	
	ANGLES ±	CUSTOMER DRAWING	SCALE 尺度 4:1 SHEET 5 of 12 REV R	

4

3

2

1

THIS DRAWING IS UNPUBLISHED.

RELEASED FOR PUBLICATION

SEP, 2005.

© COPYRIGHT 2005 By -

ALL RIGHTS RESERVED.

1903015-1, 2-1903015-2, 5-1903015-1  
5-1903015-5, 7-1903015-1; AS SHOWN

LOC  
DIST

REVISIONS

変更

DESCRIPTION

DATE

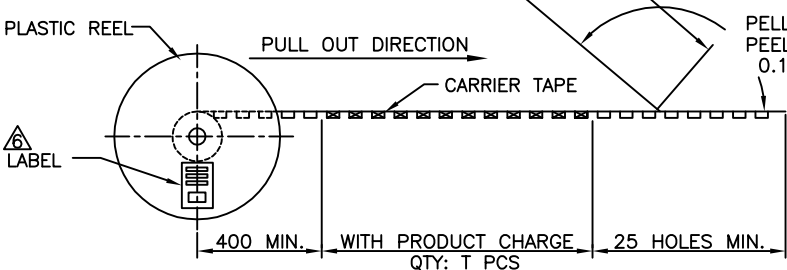
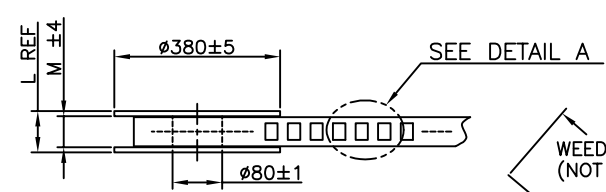
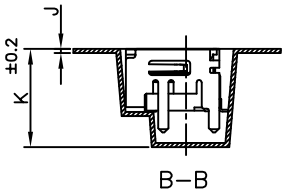
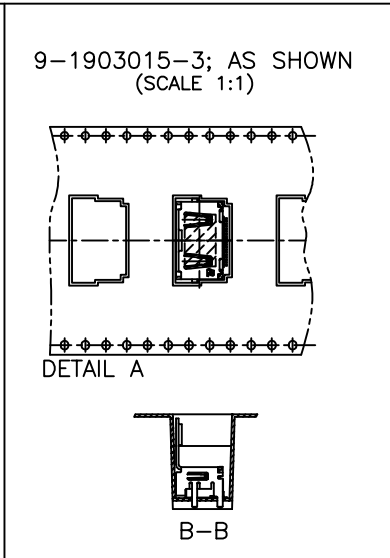
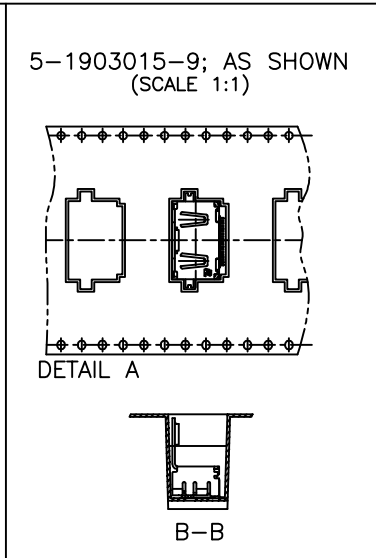
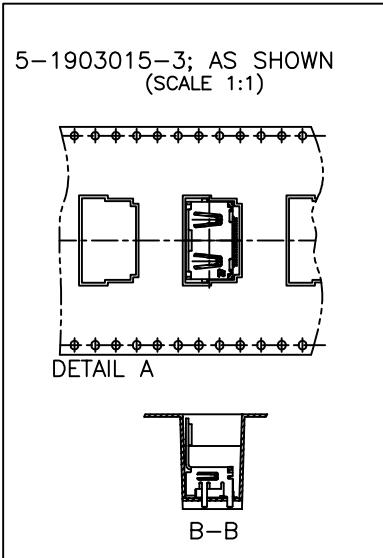
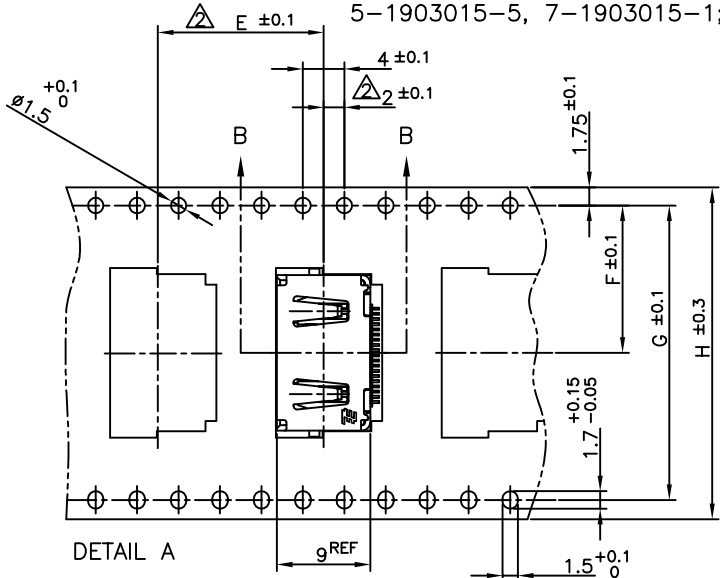
DWN

APVD

P

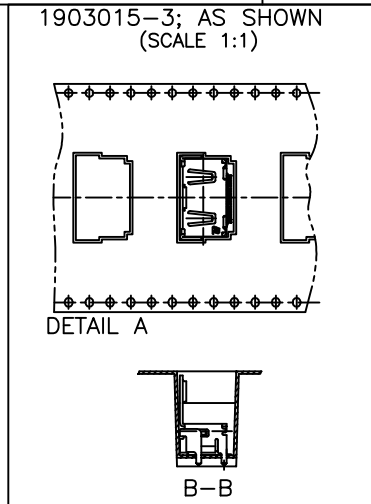
LTR

SEE SHEET 1



WEEDING THE COVER TAPE: 300 MIN (NOT INCLUDE EMPTINESS POCKET)  
PELLING ANGLE: 165°~180°  
PEELING STRENGTH: 0.1~0.7N (300mm/min.)

△ LABEL DESCRIPTION  
TYCO P/N: \*-1903015-\*  
QTY: \* pcs  
D/C: MADE IN CHINA



PET	COVER TAPE
PS	CARRIER TAPE
PLASTIC	REEL
MATERIAL	DESCRIPTION

THIS DRAWING IS A CONTROLLED DOCUMENT.

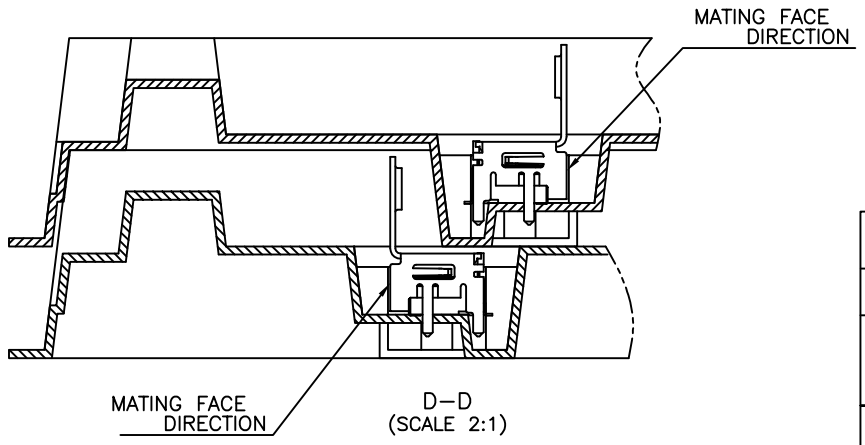
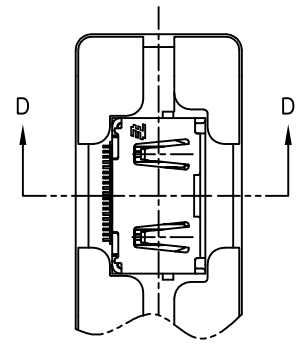
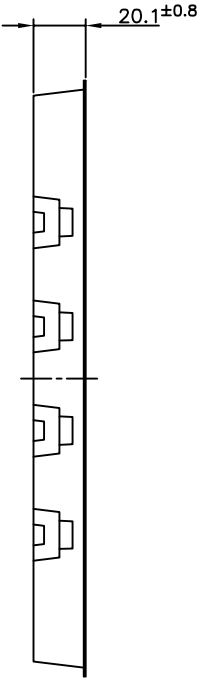
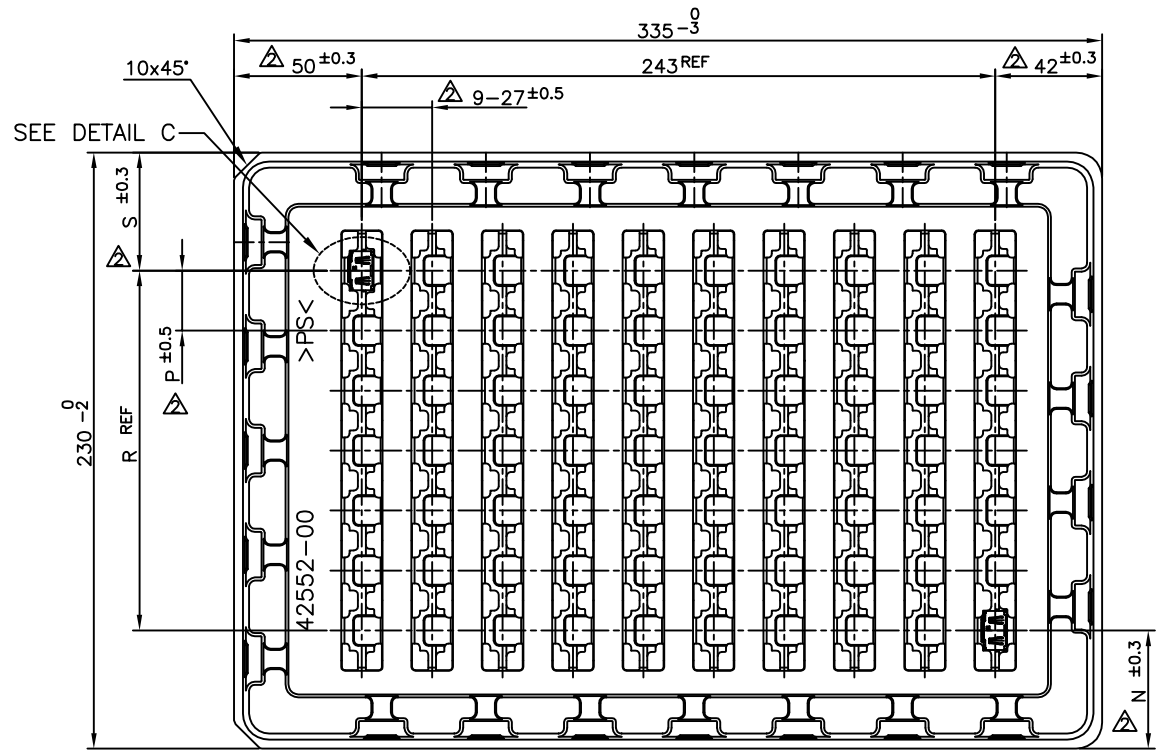
DIMENSIONS: 單位: 毫米 mm	TOLERANCES UNLESS OTHERWISE SPECIFIED: 一般公差	DWN	CHK	APVD	NAME 名稱
0 PLC ±	1 PLC ±	PRODUCT SPEC 製品規格	HDMI 19 POS RECEPTACLE ASSY SMT SHORT TYPE		
2 PLC ±	3 PLC ±	APPLICATION SPEC 取付適用規格	SIZE	CAGE CODE	DRAWING NO 番号
4 PLC ±	ANGLES ±	WEIGHT	A3	00779	G=1903015
MATERIAL 材料	FINISH 仕上	CUSTOMER DRAWING	SCALE 尺度	SHEET 6 of 12	REV R

RESTRICTED TO

THIS DRAWING IS UNPUBLISHED. RELEASED FOR PUBLICATION SEP ,2005. ALL RIGHTS RESERVED.

1903015-2, 1903015-5, 4-1903015-1, 5-1903015-2, 5-1903015-4  
8-1903015-4, 9-1903015-4; AS SHOWN

LOC	DIST	REVISIONS		
		变更	DATE	DWN
		DESCRIPTION		APVD
		SEE SHEET 1	-	-



THIS DRAWING IS A CONTROLLED DOCUMENT.

DIMENSIONS: 單位: 話 mm	TOLERANCES UNLESS OTHERWISE SPECIFIED: 一般公差	DWN	TE Connectivity	
	0 PLC ± 1 PLC ± 2 PLC ± 3 PLC ± 4 PLC ± ANGLES ±	CHK	NAME 名稱 HDMI 19 POS RECEPTACLE ASSY SMT SHORT TYPE	
MATERIAL 材料	FINISH 仕上	APVD	SIZE A3	CAGE CODE 00779
		PRODUCT SPEC 製品規格	DRAWING NO 番号 C=1903015	RESTRICTED TO
		APPLICATION SPEC 取付適用規格	SCALE 尺度 4:1	SHEET 7 of 12
		WEIGHT	CUSTOMER DRAWING	REV R

THIS DRAWING IS UNPUBLISHED.

RELEASED FOR PUBLICATION

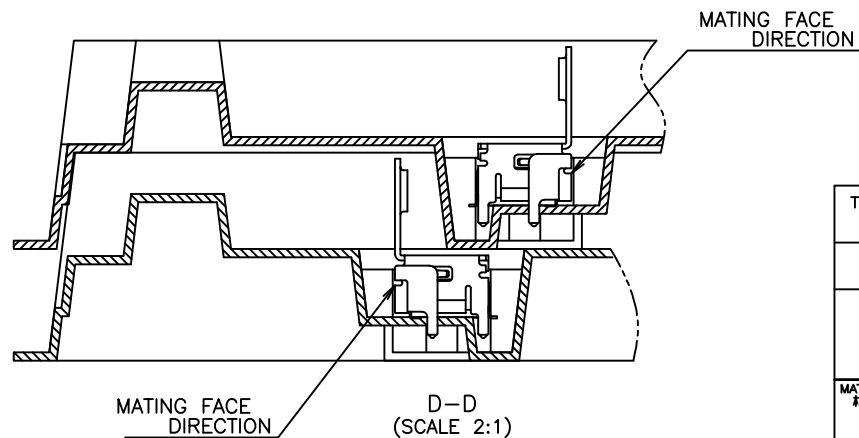
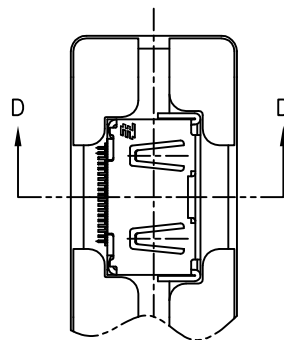
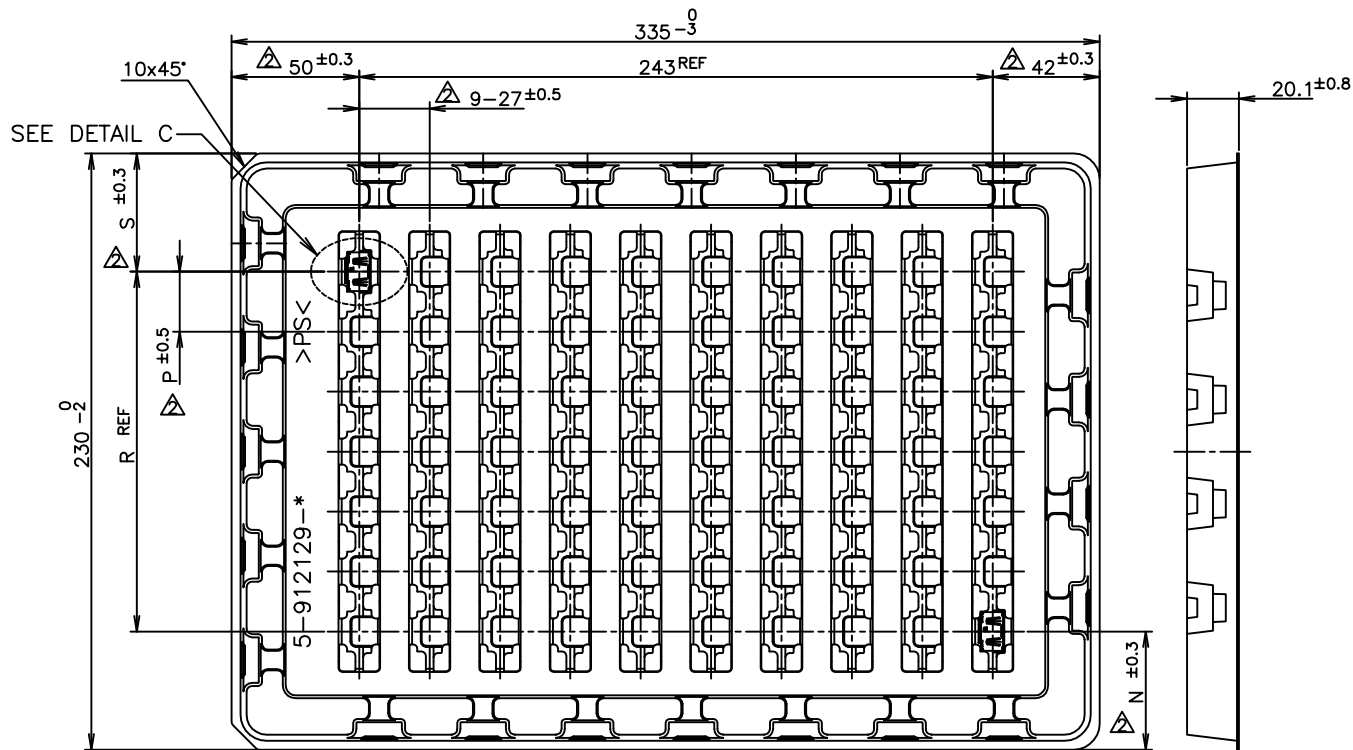
SEP, 2005.

© COPYRIGHT 2005 By -

ALL RIGHTS RESERVED.

1903015-4; AS SHOWN

LOC	DIST	REVISIONS					
		P	LTR	DESCRIPTION	DATE	DWN	APVD
		-		SEE SHEET 1	-	-	-



THIS DRAWING IS A CONTROLLED DOCUMENT.

DIMENSIONS:  
單位: 毫米  
mm



MATERIAL  
材料

TOLERANCES UNLESS  
OTHERWISE SPECIFIED:  
一般公差

- 0 PLC ±
- 1 PLC ±
- 2 PLC ±
- 3 PLC ±
- 4 PLC ±
- ANGLES ±
- FINISH 仕上

CHK
APVD
PRODUCT SPEC 製品規格
APPLICATION SPEC 取付適用規格
WEIGHT
CUSTOMER DRAWING

PS	TRAY
MATERIAL	DESCRIPTION
<b>TE</b> TE Connectivity	
NAME 名称 HDMI 19 POS RECEPTACLE ASSY SMT SHORT TYPE	
SIZE A3	CAGE CODE 00779
DRAWING NO 番号 C=1903015	RESTRICTED TO
SCALE 尺度 4:1	SHEET 8 of 12
REV R	



THIS DRAWING IS UNPUBLISHED.

RELEASED FOR PUBLICATION

SEP, 2005.

© COPYRIGHT 2005 By -

ALL RIGHTS RESERVED.

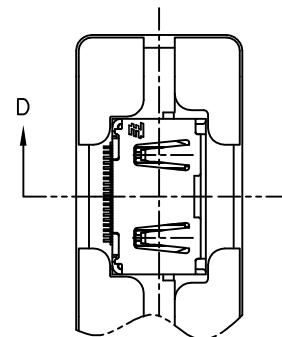
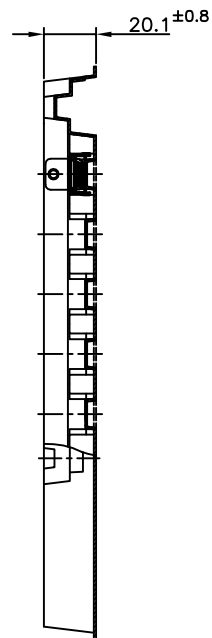
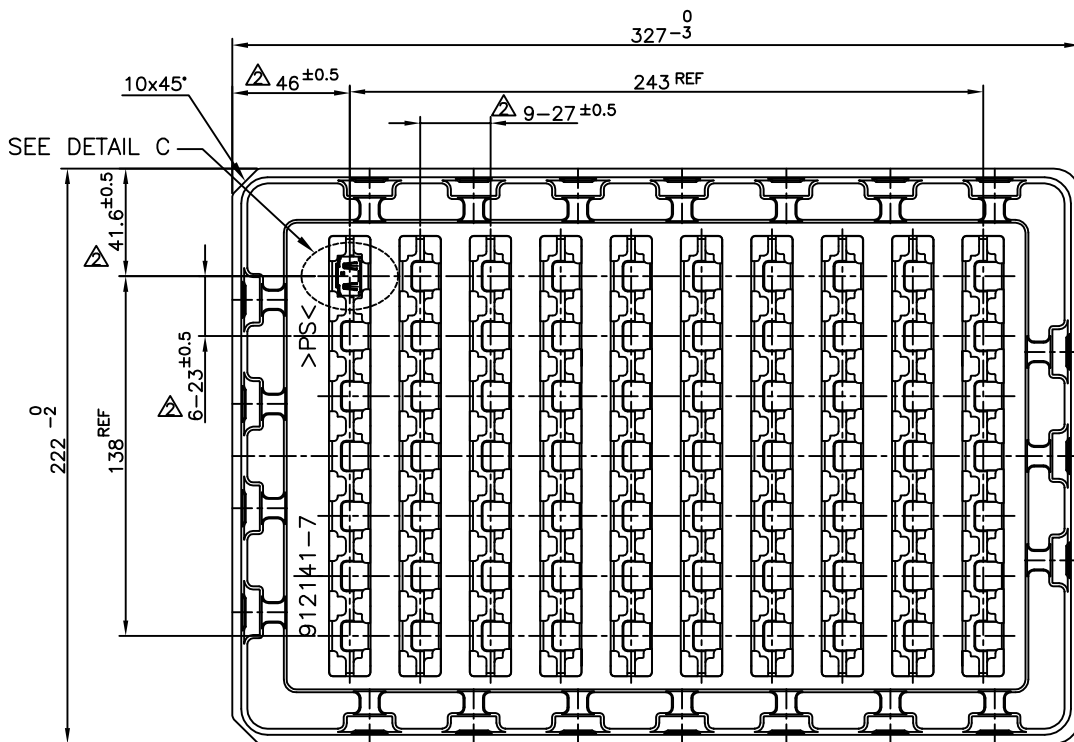
1903015-7, 1903015-8; AS SHOWN

LOC	DIST
-	-

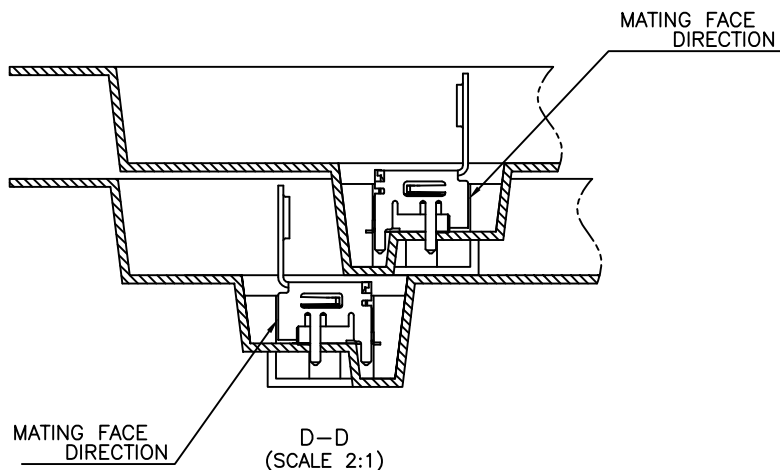
REVISIONS

変更

P	LTR	DESCRIPTION	DATE	DWN	APVD
-	-	SEE SHEET 1	-	-	-



DETAIL C (SCALE 2:1)



THIS DRAWING IS A CONTROLLED DOCUMENT.

DIMENSIONS: 單位: 毫米 mm	TOLERANCES UNLESS OTHERWISE SPECIFIED: 一般公差	0 PLC ±	1 PLC ±	2 PLC ±	3 PLC ±	4 PLC ±	ANGLES ±	FINISH 仕上	DWN	CHK	APVD	PRODUCT SPEC 製品規格	APPLICATION SPEC 取付適用規格	WEIGHT	CUSTOMER DRAWING
									<p>TE Connectivity</p> <p>HDMI 19 POS RECEPTACLE ASSY SMT SHORT TYPE</p>						
MATERIAL 材料									SIZE A3	CAGE CODE 00779	DRAWING NO C=1903015	RESTRICTED TO			
SCALE 尺度 4:1												SHEET 9 of 12	REV R		

THIS DRAWING IS UNPUBLISHED.

RELEASED FOR PUBLICATION

SEP, 2005.

ALL RIGHTS RESERVED.

© COPYRIGHT 2005 By -

LOC	DIST
-	-

REVISIONS

変更

DESCRIPTION

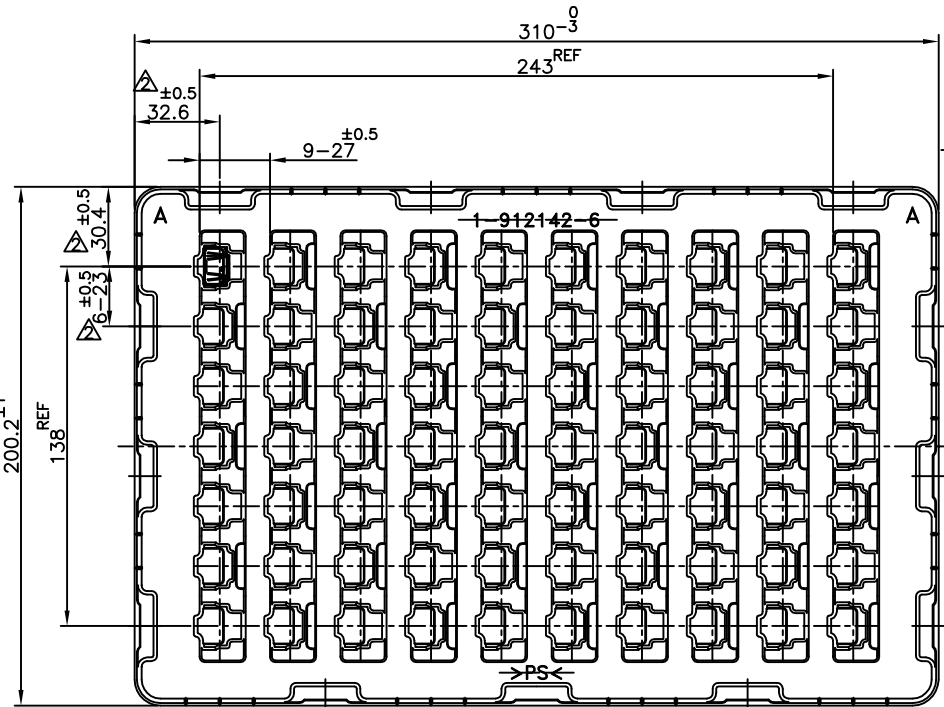
DATE

DWN

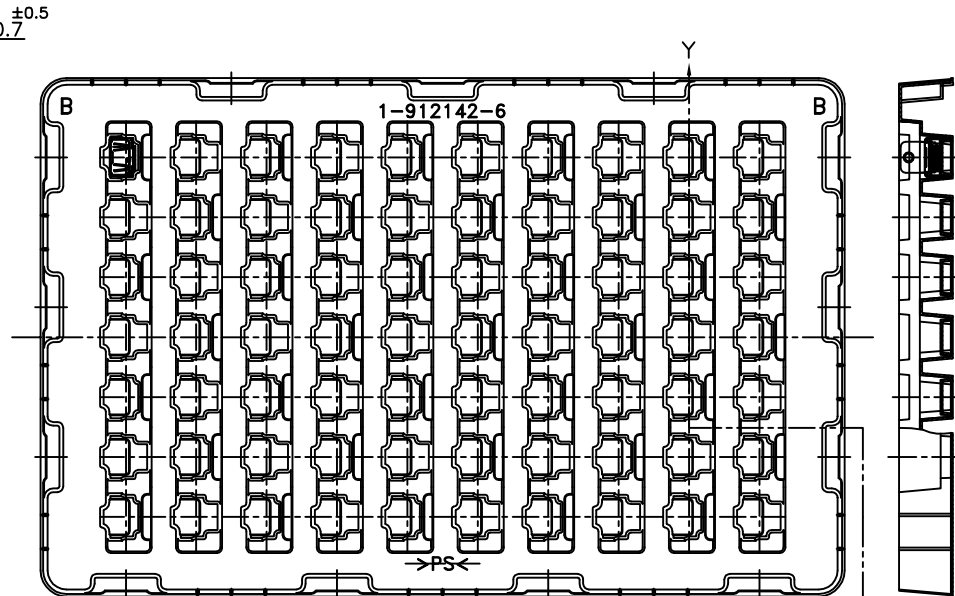
APVD

SEE SHEET 1

8-1903015-4; AS SHOWN

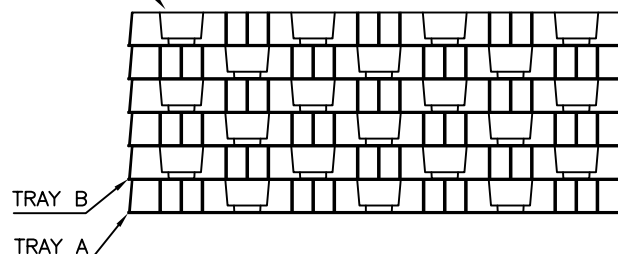


TRAY A

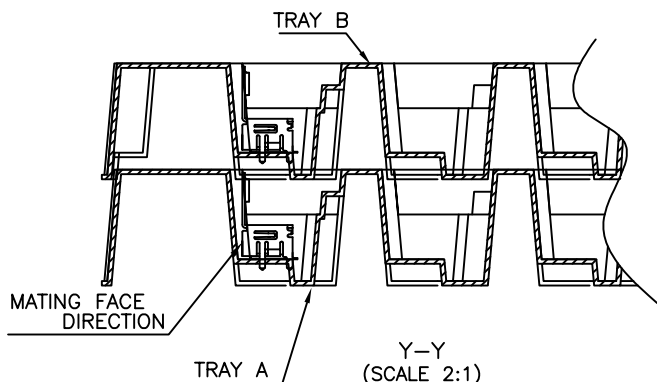


TRAY B

TRAY B (EMPTY)



TRAY B  
TRAY A



Y-Y  
(SCALE 2:1)

PS	TRAY
MATERIAL	DESCRIPTION

THIS DRAWING IS A CONTROLLED DOCUMENT.

DIMENSIONS: 單位: 毫米 mm	TOLERANCES UNLESS OTHERWISE SPECIFIED: 一般公差	DWN	TE Connectivity																			
<table border="1"> <tr><td>0 PLC</td><td>±</td></tr> <tr><td>1 PLC</td><td>±</td></tr> <tr><td>2 PLC</td><td>±</td></tr> <tr><td>3 PLC</td><td>±</td></tr> <tr><td>4 PLC</td><td>±</td></tr> <tr><td>4 PLC ANGLES</td><td>±</td></tr> </table>	0 PLC	±		1 PLC	±	2 PLC	±	3 PLC	±	4 PLC	±	4 PLC ANGLES	±	FINISH 仕上	<table border="1"> <tr><td>CHK</td></tr> <tr><td>APVD</td></tr> <tr><td>PRODUCT SPEC 製品規格</td></tr> <tr><td>APPLICATION SPEC 取付適用規格</td></tr> <tr><td>WEIGHT</td></tr> </table>	CHK	APVD	PRODUCT SPEC 製品規格	APPLICATION SPEC 取付適用規格	WEIGHT	<table border="1"> <tr><td>NAME 名稱</td></tr> <tr><td>HDMI 19 POS RECEPTACLE ASSY SMT SHORT TYPE</td></tr> </table>	NAME 名稱
0 PLC	±																					
1 PLC	±																					
2 PLC	±																					
3 PLC	±																					
4 PLC	±																					
4 PLC ANGLES	±																					
CHK																						
APVD																						
PRODUCT SPEC 製品規格																						
APPLICATION SPEC 取付適用規格																						
WEIGHT																						
NAME 名稱																						
HDMI 19 POS RECEPTACLE ASSY SMT SHORT TYPE																						
MATERIAL 材料		CUSTOMER DRAWING	<table border="1"> <tr> <td>SIZE A3</td> <td>CAGE CODE 00779</td> <td>DRAWING NO C=1903015</td> <td>RESTRICTED TO 番号</td> </tr> <tr> <td>SCALE 尺度 4:1</td> <td>SHEET 10 OF 12</td> <td>REV R</td> <td></td> </tr> </table>	SIZE A3	CAGE CODE 00779	DRAWING NO C=1903015	RESTRICTED TO 番号	SCALE 尺度 4:1	SHEET 10 OF 12	REV R												
SIZE A3	CAGE CODE 00779	DRAWING NO C=1903015	RESTRICTED TO 番号																			
SCALE 尺度 4:1	SHEET 10 OF 12	REV R																				

4

3

2

1

THIS DRAWING IS UNPUBLISHED.

RELEASED FOR PUBLICATION

SEP ,2005.

© COPYRIGHT 2005 By -

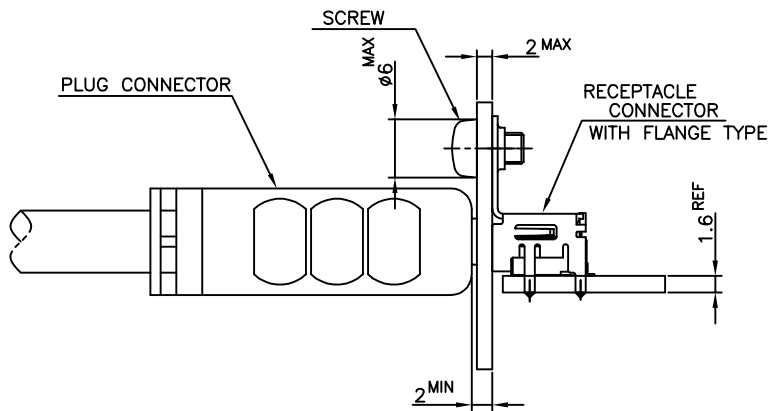
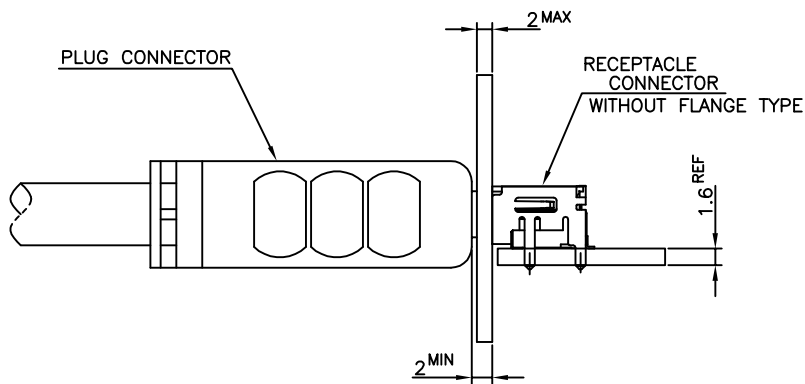
ALL RIGHTS RESERVED.

LOC	DIST
-	-

REVISIONS

変更

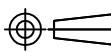
P	LTR	DESCRIPTION	DATE	DWN	APVD
-	-	SEE SHEET 1	-	-	-



MATING CONDITION (REFERENCE)  
(SCALE 2:1)

THIS DRAWING IS A CONTROLLED DOCUMENT.

DIMENSIONS:  
單位: 毫米  
mm



MATERIAL  
材料

TOLERANCES UNLESS OTHERWISE SPECIFIED:  
一般公差

- 0 PLC ±
- 1 PLC ±
- 2 PLC ±
- 3 PLC ±
- 4 PLC ±
- ANGLES ±

FINISH  
仕上

DWN
CHK
APVD
PRODUCT SPEC 製品規格
APPLICATION SPEC 取付適用規格
WEIGHT



TE Connectivity

NAME  
名称  
HDMI 19 POS RECEPTACLE ASSY  
SMT SHORT TYPE

SIZE A3	CAGE CODE 00779	DRAWING NO 番号 G=1903015	RESTRICTED TO
------------	--------------------	-------------------------------	---------------

CUSTOMER DRAWING

SCALE  
尺度 4:1

SHEET  
11 OF 12

REV  
R

THIS DRAWING IS PUBLISHED.

NOT BASED FOR PUBLICATION

SEP., 2005.

© COPYRIGHT 2005. By -

ALL RIGHTS RESERVED.

LOC

DIST

REV

P

LTR

DESCRIPTION

DATE

DWN

APVD

SEE SHEET 1

P/N:6-1903015-3

D

D

C

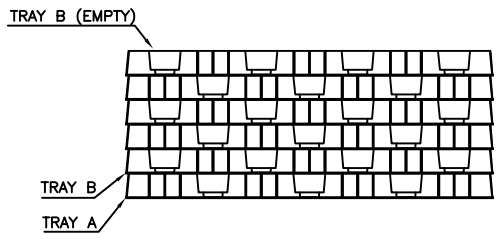
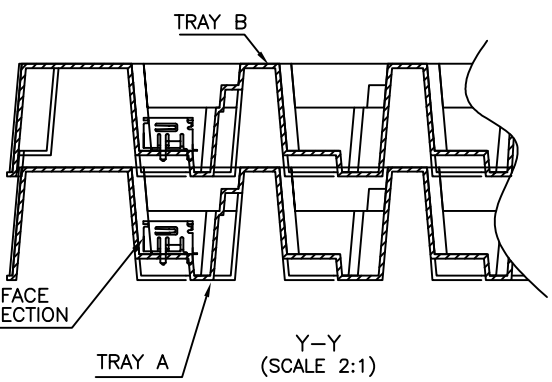
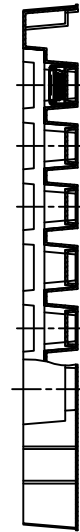
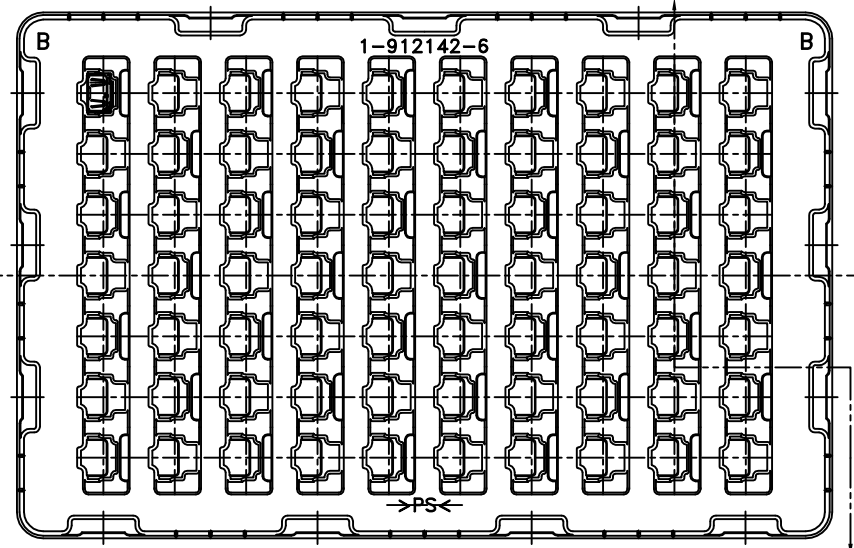
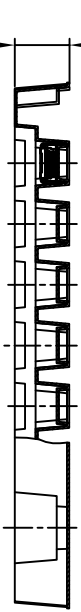
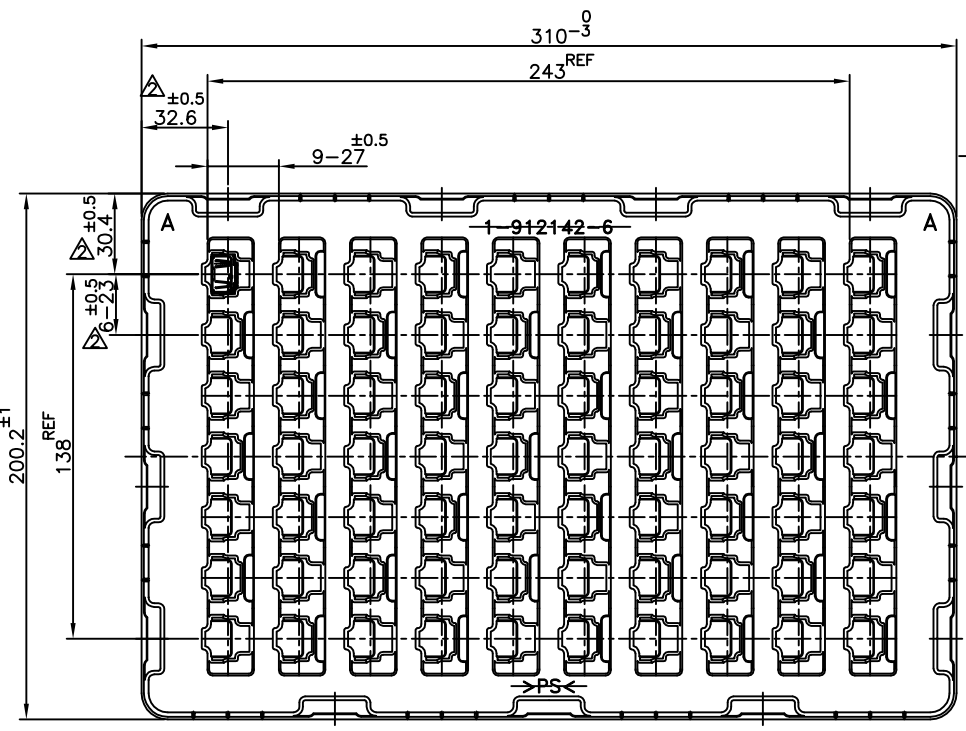
C

B

B

A

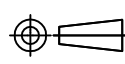
A



THIS DRAWING IS A CONTROLLED DOCUMENT.

DIMENSIONS: 單位: 毫米 mm

TOLERANCES UNLESS OTHERWISE SPECIFIED: 一般公差



- 0 PLC ±
- 1 PLC ±
- 2 PLC ±
- 3 PLC ±
- 4 PLC ±
- ANGLES ±
- FINISH 仕上

MATERIAL 材料

DWN
CHK
APVD
PRODUCT SPEC 製品規格
APPLICATION SPEC 取付適用規格
WEIGHT
CUSTOMER DRAWING

NAME 名稱			
HDMI 19 POS RECEPTACLE ASSY SMT SHORT TYPE			
SIZE	CAGE CODE	DRAWING NO 番号	RESTRICTED TO
A3	00779	C=1903015	-
SCALE 尺度 4:1		SHEET 12 OF 12	REV R

PS	TRAY
MATERIAL	DESCRIPTION

Компания «Океан Электроники» предлагает заключение долгосрочных отношений при поставках импортных электронных компонентов на взаимовыгодных условиях!

Наши преимущества:

- Поставка оригинальных импортных электронных компонентов напрямую с производств Америки, Европы и Азии, а так же с крупнейших складов мира;
- Широкая линейка поставок активных и пассивных импортных электронных компонентов (более 30 млн. наименований);
- Поставка сложных, дефицитных, либо снятых с производства позиций;
- Оперативные сроки поставки под заказ (от 5 рабочих дней);
- Экспресс доставка в любую точку России;
- Помощь Конструкторского Отдела и консультации квалифицированных инженеров;
- Техническая поддержка проекта, помощь в подборе аналогов, поставка прототипов;
- Поставка электронных компонентов под контролем ВП;
- Система менеджмента качества сертифицирована по Международному стандарту ISO 9001;
- При необходимости вся продукция военного и аэрокосмического назначения проходит испытания и сертификацию в лаборатории (по согласованию с заказчиком);
- Поставка специализированных компонентов военного и аэрокосмического уровня качества (Xilinx, Altera, Analog Devices, Intersil, Interpoint, Microsemi, Actel, Aeroflex, Peregrine, VPT, Syfer, Eurofarad, Texas Instruments, MS Kennedy, Miteq, Cobham, E2V, MA-COM, Hittite, Mini-Circuits, General Dynamics и др.);

Компания «Океан Электроники» является официальным дистрибьютором и эксклюзивным представителем в России одного из крупнейших производителей разъемов военного и аэрокосмического назначения «JONHON», а так же официальным дистрибьютором и эксклюзивным представителем в России производителя высокотехнологичных и надежных решений для передачи СВЧ сигналов «FORSTAR».



## JONHON

«JONHON» (основан в 1970 г.)

Разъемы специального, военного и аэрокосмического назначения:

(Применяются в военной, авиационной, аэрокосмической, морской, железнодорожной, горно- и нефтедобывающей отраслях промышленности)

«FORSTAR» (основан в 1998 г.)

ВЧ соединители, коаксиальные кабели, кабельные сборки и микроволновые компоненты:

(Применяются в телекоммуникациях гражданского и специального назначения, в средствах связи, РЛС, а так же военной, авиационной и аэрокосмической отраслях промышленности).



Телефон: 8 (812) 309-75-97 (многоканальный)

Факс: 8 (812) 320-03-32

Электронная почта: [ocean@oceanchips.ru](mailto:ocean@oceanchips.ru)

Web: <http://oceanchips.ru/>

Адрес: 198099, г. Санкт-Петербург, ул. Калинина, д. 2, корп. 4, лит. А