



Integrated T1/E1/J1 Short-Haul and Long-Haul Protection Switch

MAX4670

General Description

The MAX4670 is an integrated T1/E1/J1 analog protection switch for 1+1 and N+1 line-card redundancy applications. It protects two T1/E1/J1 ports by combining eight SPDT switches in a single package. The switch is optimized for high-return loss and pulse-template performance in T1/E1/J1 long-haul and short-haul applications. The part offers built-in chip-side surge protection capability for short-haul intrabuilding applications.

The MAX4670 replaces two diode arrays or two transient voltage suppressors (TVSs) and four dual-SPDT relays, significantly reducing board space and simplifying PC board routing. The MAX4670 pinout is targeted for T1/E1/J1 applications, resulting in a simplified layout when interfacing with standard line transformers and line interface units (LIUs).

The MAX4670 has four 1.0Ω (max) on-resistance switches with 60pF/40pF on-/off-capacitances for interfacing to the LIU transmitter outputs. The MAX4670 also includes four 10Ω (max) on-resistance switches with low 24pF/12pF on-/off-capacitances for interfacing to the LIU receiver inputs. Four logic inputs control the receive/transmit pairs, in addition to a SWITCH input that connects all switches to the system's protection bus.

The MAX4670 operates from a single +2.7V to +3.6V supply and is available in 32-pin thermally enhanced TQFN package. The MAX4670 is specified over the -40°C to $+85^{\circ}\text{C}$ operating temperature range.

Applications

Optical Multiplexers (ADMs, M13s, etc.)
 Edge Routers
 Multiservice Switches
 Base Station Controllers (Wireless Infrastructure Equipment)
 Media Gateways (VoIP)

Functional Diagram/Truth Table appears at end of data sheet.

Features

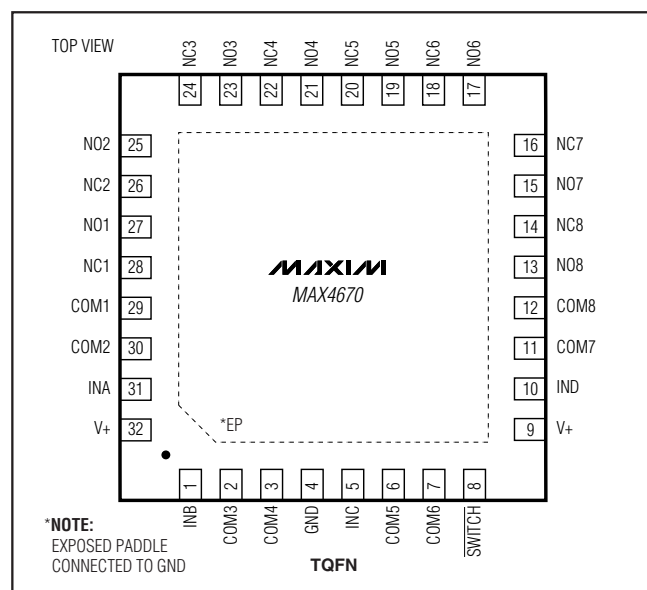
- ◆ Single +3.3V Supply Voltage
- ◆ Quad-DPDT/Octal-SPDT Switches Support Two T1/E1/J1 Ports
- ◆ Low R_{ON}
- ◆ 0.7Ω (typ) in Transmit Path; 5Ω (typ) in Receive Path
- ◆ Low C_{ON}/C_{OFF}
 - 60pF/40pF (typ) in Transmit Path
 - 24pF/12pF (typ) in Receive Path
- ◆ Chip Surge Protection
 - IEC 61000-4-5 (8 μs to 20 μs Surge)
 - Class 2 ($\pm 1\text{kV}$)
- ◆ -70dB (typ) Crosstalk/Off-Isolation (3MHz)
- ◆ Small, 32-Pin TQFN Package

Ordering Information

| PART* | PIN-PACKAGE | SURGE PROTECTION | PKG CODE |
|------------|------------------------|------------------|----------|
| MAX4670ETJ | 32 TQFN (5mm x 5mm) | YES | T3255-4 |

*This part operates at a -40°C to $+85^{\circ}\text{C}$ temperature range.

Pin Configuration



Integrated T1/E1/J1 Short-Haul and Long-Haul Protection Switch

ABSOLUTE MAXIMUM RATINGS

(All voltages referenced to GND.)

| | |
|--|----------------------|
| V+, IN_, SWITCH | -0.3V to +4V |
| COM_, NO_, NC_ (Note 1) | -0.3V to (V+ + 0.3V) |
| Continuous Current | |
| NO_, NC_, COM_ (Tx interface) | ±150mA |
| NO_, NC_, COM_ (Rx interface) | ±100mA |
| Peak Currents | |
| NO_, NC_, COM_ (Tx interface) (pulsed at 1ms, 10% duty cycle) | ±300mA |
| NO_, NC_, COM_ (Rx interface) (pulsed at 1ms, 10% duty cycle) | ±200mA |

Peak Surge Currents

| | |
|---|-----------------|
| Poised at 8μs | 21.4A |
| Poised at 20μs | 11.9A |
| Continuous Power Dissipation (T _A = +70°C) | |
| 32-Pin TQFN (derate 21.3mW/°C above +70°C) | 1702mW |
| 38-Pin TSSOP (derate 13.7mW/°C above +70°C) | 1096mW |
| Operating Temperature Range | -40°C to +85°C |
| Storage Temperature Range | -65°C to +150°C |
| Junction Temperature | +150°C |
| Lead Temperature (soldering, 10s) | +300°C |

Note 1: Signals on NO_, NC_, COM_ exceeding V+ or GND are clamped by internal diodes. Limit forward-diode current to maximum current rating.

Stresses beyond those listed under "Absolute Maximum Ratings" may cause permanent damage to the device. These are stress ratings only, and functional operation of the device at these or any other conditions beyond those indicated in the operational sections of the specifications is not implied. Exposure to absolute maximum rating conditions for extended periods may affect device reliability.

ELECTRICAL CHARACTERISTICS

(V+ = +2.7V to +3.6V, T_A = T_{MIN} to T_{MAX}, unless otherwise noted. Typical values are at T_A = +25°C, unless otherwise noted.) (Notes 2, 3)

| PARAMETER | SYMBOL | CONDITIONS | MIN | TYP | MAX | UNITS |
|---|-----------------------|---|---|------|-------|-------|
| Rx INTERFACE | | | | | | |
| On-Resistance | R _{ON} | V+ = 3V, I _{COM_} = 10mA, V _{NO_} or V _{NC_} = 1.5V | T _A = +25°C | 5 | 9 | Ω |
| | | | T _A = T _{MIN} to T _{MAX} | | 10 | |
| On-Resistance Match Between Channels (Note 4) | ΔR _{ON} | V+ = 3V, I _{COM_} = 10mA, V _{NO_} or V _{NC_} = 1.5V | T _A = +25°C | | 1.0 | Ω |
| | | | T _A = T _{MIN} to T _{MAX} | | 1.3 | |
| On-Resistance Flatness (Note 4) | R _{FLAT(ON)} | V+ = 3V; I _{COM_} = 10mA; V _{NO_} or V _{NC_} = 1.0V, 1.5V, 2.0V | T _A = +25°C | 2.0 | 3.0 | Ω |
| | | | T _A = T _{MIN} to T _{MAX} | | 3.4 | |
| NO_ or NC_ Off-Leakage Current | I _{NO(OFF)} | V+ = 3.6V; V _{COM_} = 0.3V, 3.3V; V _{NO_} or V _{NC_} = 3.3V, 0.3V | | -1 | +1 | μA |
| | I _{NC(OFF)} | | | | | |
| COM_ On-Leakage Current | I _{COM(ON)} | V+ = 3.6V; V _{COM_} = 0.3V, 3.3V; V _{NO_} or V _{NC_} = 3.3V, 0.3V or floating | | -1 | +1 | μA |
| Tx INTERFACE | | | | | | |
| On-Resistance (Note 5) | R _{ON} | V+ = 3V, I _{COM_} = 100mA, V _{NO_} or V _{NC_} = 1.5V | T _A = +25°C | 0.7 | 0.9 | Ω |
| | | | T _A = T _{MIN} to T _{MAX} | | 1.0 | |
| On-Resistance Match Between Channels (Notes 3, 5) | ΔR _{ON} | V+ = 3V, I _{COM_} = 100mA, V _{NO_} or V _{NC_} = 1.5V | T _A = +25°C | 0.03 | 0.150 | Ω |
| | | | T _A = T _{MIN} to T _{MAX} | | 0.175 | |
| On-Resistance Flatness (Notes 5, 6) | R _{FLAT(ON)} | V+ = 3V; I _{COM_} = 100mA; V _{NO_} or V _{NC_} = 1.0V, 1.5V, 2.0V | T _A = +25°C | 0.1 | 0.18 | Ω |
| | | | T _A = T _{MIN} to T _{MAX} | | 0.2 | |

Integrated T1/E1/J1 Short-Haul and Long-Haul Protection Switch

MAX4670

ELECTRICAL CHARACTERISTICS (continued)

(V+ = +2.7V to +3.6V, T_A = T_{MIN} to T_{MAX}, unless otherwise noted. Typical values are at T_A = +25°C, unless otherwise noted.) (Notes 2, 3)

| PARAMETER | SYMBOL | CONDITIONS | MIN | TYP | MAX | UNITS |
|--------------------------------|---|--|---|-----|-----|-------|
| NO_ or NC_ Off-Leakage Current | I _{NO(OFF)} , I _{NC(OFF)} | V+ = 3.6V; V _{COM_} = 0.3V, 3.3V; V _{NO_} or V _{NC_} = 0.3V, 3.3V | -1 | | +1 | μA |
| COM_ On-Leakage Current | I _{COM(ON)} | V+ = 3.6V; V _{COM_} = 0.3V, 3.3V; V _{NO_} or V _{NC_} = 0.3V, 3.3V or floating | -1 | | +1 | μA |
| DYNAMIC CHARACTERISTICS | | | | | | |
| Turn-On Time | t _{ON} | V _{NO_} or V _{NC_} = 1.5V, R _L = 50Ω, C _L = 35pF, Figure 2 | T _A = +25°C | | 400 | ns |
| | | | T _A = T _{MIN} to T _{MAX} | | 750 | |
| Turn-Off Time | t _{OFF} | V _{NO_} or V _{NC_} = 1.5V, R _L = 50Ω, C _L = 35pF, Figure 2 | T _A = +25°C | | 200 | ns |
| | | | T _A = T _{MIN} to T _{MAX} | | 750 | |
| Break-Before-Make Delay | t _D | R _L = 50Ω, C _L = 35pF, Figure 3 | | 80 | | ns |
| Charge Injection | Q | V _{GEN} = 1.5V, R _{GEN} = 0Ω, C _L = 1nF, Figure 4 | Rx interface | 8 | | pC |
| | | | Tx interface | 20 | | |
| On-Channel 3dB Bandwidth | BW | | Rx interface | 300 | | MHz |
| | | | Tx interface | 300 | | |
| Off-Isolation (Note 7) | V _{ISO1} | Rx interface | R _L = 50Ω, C _L = 35pF, f < 3MHz | -65 | | dB |
| | V _{ISO2} | | R _L = 50Ω, C _L = 35pF, 3MHz < f < 30MHz | -58 | | |
| | V _{ISO1} | Tx interface | R _L = 50Ω, C _L = 35pF, f < 3MHz | -60 | | |
| | V _{ISO2} | | R _L = 50Ω, C _L = 35pF, 3MHz < f < 30MHz | -40 | | |
| Crosstalk (Note 8) | V _{CT1} | Rx interface, Figure 5 | R _L = 50Ω, C _L = 35pF, f < 3MHz | -65 | | dB |
| | V _{CT2} | | R _L = 50Ω, C _L = 35pF, 3MHz < f < 30MHz | -50 | | |
| | V _{CT1} | Tx interface, Figure 5 | R _L = 50Ω, C _L = 35pF, f < 3MHz | -78 | | |
| | V _{CT2} | | R _L = 50Ω, C _L = 35pF, 3MHz < f < 30MHz | -30 | | |
| NC_ or NO_ Off-Capacitance | COFFRX | Rx interface f = 1MHz, Figure 6 | | 12 | | pF |
| | COFFTX | Tx interface f = 1MHz, Figure 6 | | 40 | | |
| COM_ On-Capacitance | C _{COM(ON)TX} | f = 1MHz | Rx interface | 24 | | pF |
| | C _{COM(ON)RX} | | Tx interface | 60 | | |

Integrated T1/E1/J1 Short-Haul and Long-Haul Protection Switch

ELECTRICAL CHARACTERISTICS (continued)

(V+ = +2.7V to +3.6V, TA = TMIN to TMAX, unless otherwise noted. Typical values are at TA = +25°C, unless otherwise noted.) (Notes 2, 3)

| PARAMETER | SYMBOL | CONDITIONS | MIN | TYP | MAX | UNITS |
|----------------------------------|-----------------|--|-----|-----|-----|-------|
| DIGITAL I/O (IN_, SWITCH) | | | | | | |
| Input-Low Voltage | V _{IL} | V+ = 2.7V | | | 0.5 | V |
| Input-High Voltage | V _{IH} | V+ = 3.6V | 1.4 | | | V |
| Input Leakage Current | I _{IL} | V _{IN_} = 0 or V+, V _{SWITCH_} = 0 or V+ | -1 | | +1 | μA |
| SUPPLY | | | | | | |
| Operating Voltage Range | V+ | | 2.7 | | 3.6 | V |
| Supply Current | I+ | V+ = 3.6V, V _{IN_} = V _{SWITCH_} = 0 or V+ | | | 10 | μA |

Note 2: The algebraic convention is used in this data sheet. The most negative value is shown in the minimum column.

Note 3: Devices are 100% tested at hot and room and guaranteed by design at cold.

Note 4: ΔRON = RON(MAX) - RON(MIN).

Note 5: Guaranteed by design.

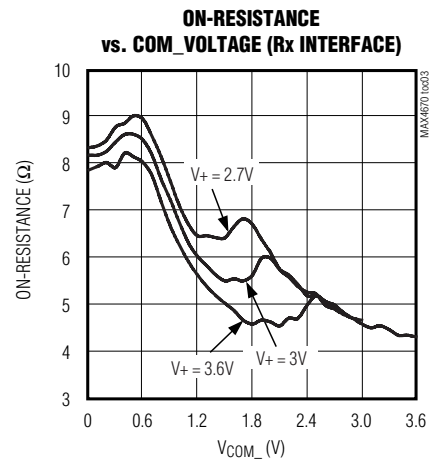
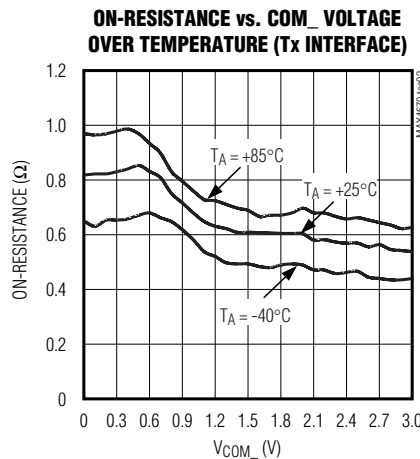
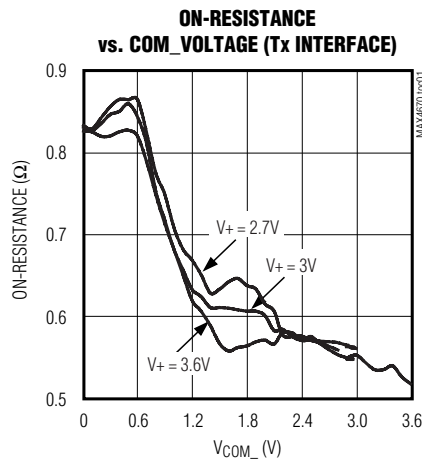
Note 6: Flatness is defined as the difference between the maximum and minimum value of on-resistance as measured over the specified analog signal ranges.

Note 7: Off-isolation = 20log₁₀ [V_{COM_} / (V_{NO_} or V_{NC_})], V_{COM_} = output, V_{NO_} or V_{NC_} = input to off switch.

Note 8: Crosstalk between any two switches.

Typical Operating Characteristics

(V+ = 3.0V, TA = +25°C, unless otherwise noted.)

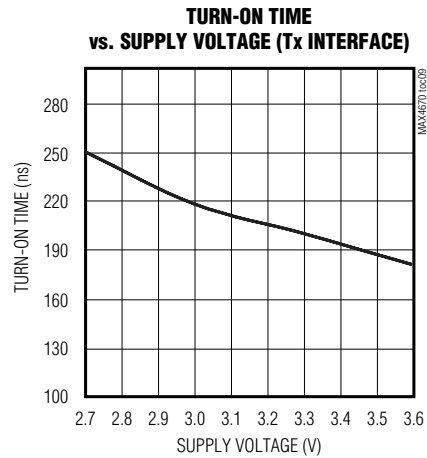
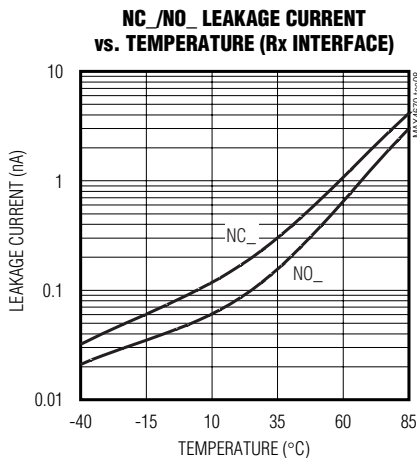
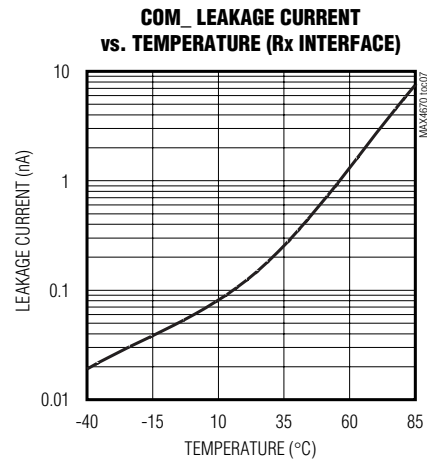
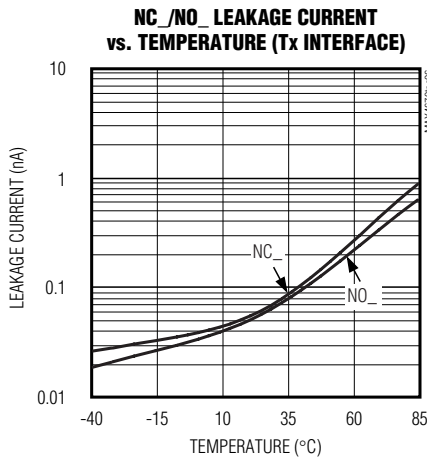
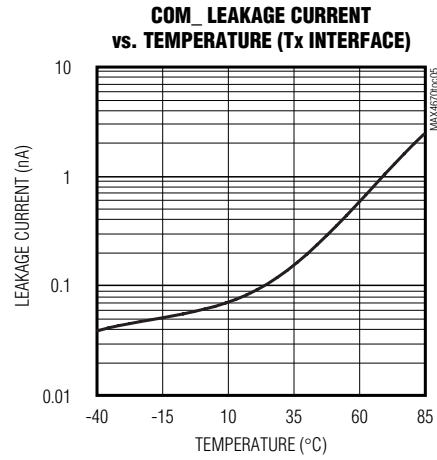
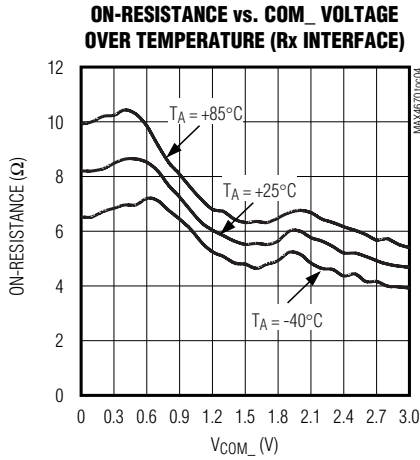


Integrated T1/E1/J1 Short-Haul and Long-Haul Protection Switch

MAX4670

Typical Operating Characteristics (continued)

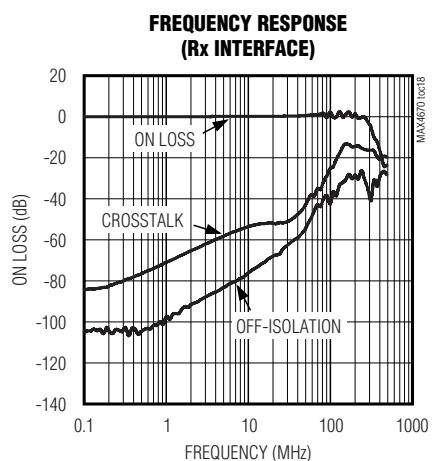
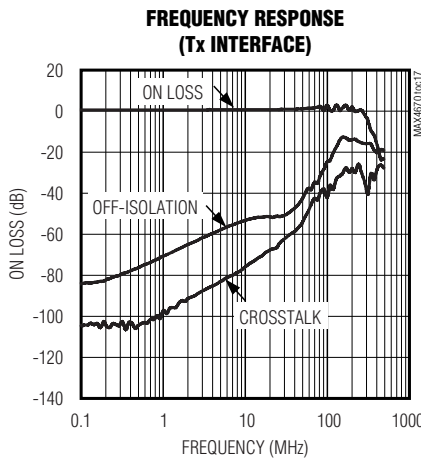
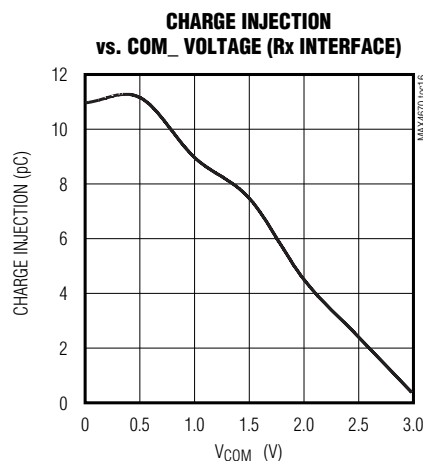
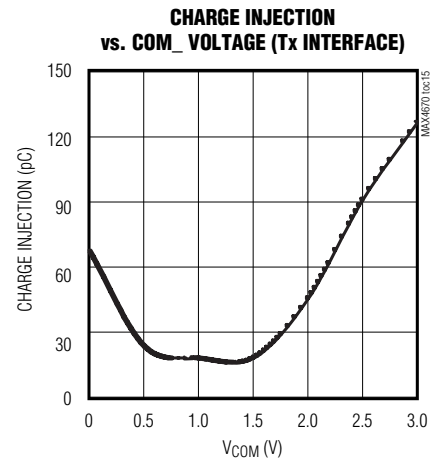
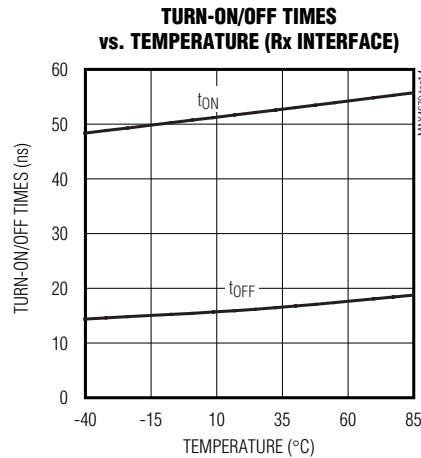
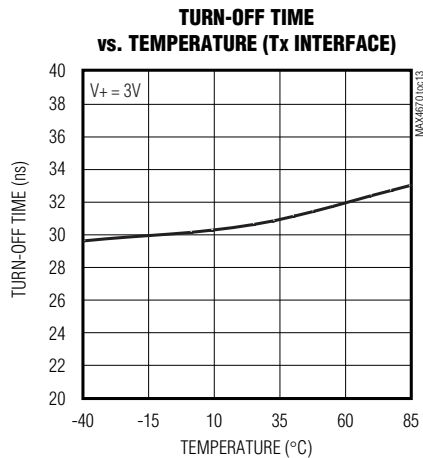
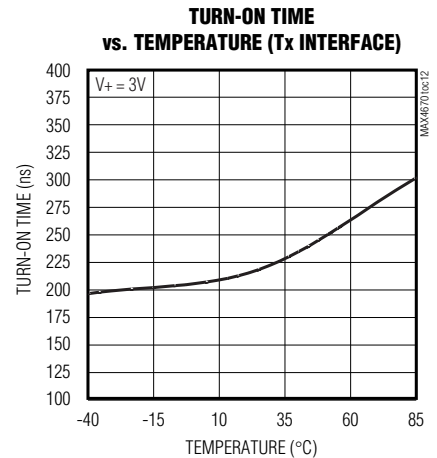
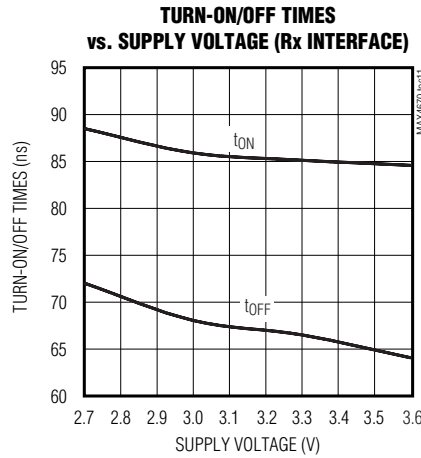
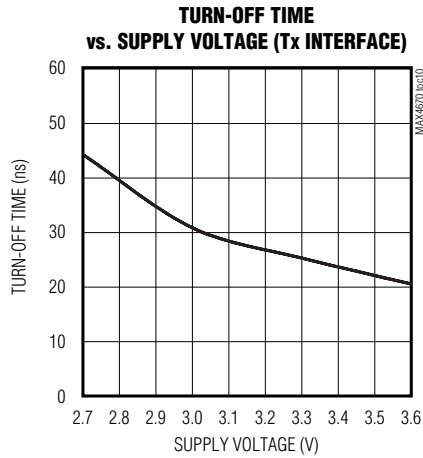
(V+ = 3.0V, T_A = +25°C, unless otherwise noted.)



Integrated T1/E1/J1 Short-Haul and Long-Haul Protection Switch

Typical Operating Characteristics (continued)

($V_+ = 3.0V$, $T_A = +25^\circ C$, unless otherwise noted.)



Integrated T1/E1/J1 Short-Haul and Long-Haul Protection Switch

Pin Description

MAX4670

| PIN | NAME | FUNCTION |
|-------|----------------------------|---|
| — | N.C. | No Connection. Not internally connected. |
| 1 | INB | Transmitter 1 Logic Control. Drive INB high to connect NC3 and NC4. INB logic is ignored when $\overline{\text{SWITCH}}$ asserts low. |
| 2 | COM3 | Common Terminal 3. Transmitter 1 positive differential terminal. Connect COM3 to the transmit interface transformer. |
| 3 | COM4 | Common Terminal 4. Transmitter 1 negative differential terminal. Connect COM4 to the transmit interface transformer. |
| 4 | GND | Ground |
| 5 | INC | Transmitter 2 Logic Control. Drive INC high to connect NC5 and NC6. INC logic is ignored when $\overline{\text{SWITCH}}$ asserts low. |
| 6 | COM5 | Common Terminal 5. Transmitter 2 positive differential terminal. Connect COM5 to the transmit interface transformer. |
| 7 | COM6 | Common Terminal 6. Transmitter 2 negative differential terminal. Connect COM6 to the transmit interface transformer. |
| 8 | $\overline{\text{SWITCH}}$ | Protection Switch Control. Assert $\overline{\text{SWITCH}}$ low to connect all switches to protection bus. When $\overline{\text{SWITCH}}$ asserts low, $\overline{\text{SWITCH}}$ overrides all IN _n inputs. Assert $\overline{\text{SWITCH}}$ high to enable all switches and let the respective IN control the switches. |
| 9, 32 | V+ | Positive Supply Voltage. Bypass V+ to ground with a 0.1 μ F ceramic capacitor. |
| 10 | IND | Receiver 2 Logic Control. Drive IND high to connect NC7 and NC8. IND logic is ignored when $\overline{\text{SWITCH}}$ asserts low. |
| 11 | COM7 | Common Terminal 7. Receiver 2 positive differential terminal. Connect COM7 to the receive interface transformer. |
| 12 | COM8 | Common Terminal 8. Receiver 2 negative differential terminal. Connect COM8 to the receive interface transformer. |
| 13 | NO8 | Normally Open Terminal 8. Receiver 2 differential protection terminal. Connect NO8 to the protection bus. |
| 14 | NC8 | Normally Closed Terminal 8. Receiver 2 differential terminal. Connect NC8 to LIU receiver. |
| 15 | NO7 | Normally Open Terminal 7. Receiver 2 differential protection terminal. Connect NO7 to the protection bus. |
| 16 | NC7 | Normally Closed Terminal 7. Receiver 2 differential terminal. Connect NC7 to LIU receiver. |
| 17 | NO6 | Normally Open Terminal 6. Transmitter 2 differential protection terminal. Connect NO6 to the protection bus. |
| 18 | NC6 | Normally Closed Terminal 6. Transmitter 2 differential terminal. Connect NC6 to LIU receiver. |
| 19 | NO5 | Normally Open Terminal 5. Transmitter 2 differential protection terminal. Connect NO5 to the protection bus. |
| 20 | NC5 | Normally Closed Terminal 5. Transmitter 2 differential terminal. Connect NC5 to LIU receiver. |
| 21 | NO4 | Normally Open Terminal 4. Transmitter 1 differential protection terminal. Connect NO4 to the protection bus. |

Integrated T1/E1/J1 Short-Haul and Long-Haul Protection Switch

Pin Description (continued)

| PIN | NAME | FUNCTION |
|-----|------|---|
| 22 | NC4 | Normally Closed Terminal 4. Transmitter 1 differential terminal. Connect NC4 to LIU receiver. |
| 23 | NO3 | Normally Open Terminal 3. Transmitter 1 differential protection terminal. Connect NO3 to the protection bus. |
| 24 | NC3 | Normally Closed Terminal 3. Transmitter 1 differential terminal. Connect NC3 to LIU receiver. |
| 25 | NO2 | Normally Open Terminal 2. Receiver 2 differential protection terminal. Connect NO2 to the protection bus. |
| 26 | NC2 | Normally Closed Terminal 2. Receiver 1 differential terminal. Connect NC2 to LIU receiver. |
| 27 | NO1 | Normally Open Terminal 1. Receiver 1 differential protection terminal. Connect NO1 to the protection bus. |
| 28 | NC1 | Normally Closed Terminal 1. Receiver 1 differential terminal. Connect NC1 to LIU receiver. |
| 29 | COM1 | Common Terminal 1. Receiver 1 positive differential terminal. Connect COM1 to the receive interface transformer. |
| 30 | COM2 | Common Terminal 2. Receiver 1 negative differential terminal. Connect COM2 to the receive interface transformer. |
| 31 | INA | Receiver 1 Logic Control. Drive INA low to connect receiver 1 to the LIU. INA logic is ignored when $\overline{\text{SWITCH}}$ asserts low. |
| EP | EP | Exposed Paddle. Connect EP to GND or leave unconnected. |

Detailed Description

The MAX4670 is a quad-DPDT/octal-SPDT analog switch optimized for T1/E1/J1 line-card redundancy protection applications. This analog switch is configurable as two differential transmitter and receiver pairs utilized in T1/E1/J1 redundancy architecture.

The MAX4670 has four low 0.7Ω on-resistance switches with 60pF and 40pF on- and off-capacitances, respectively, for interfacing to the LIU transmitter inputs. The MAX4670 also includes four 5Ω on-resistance switches with low 24pF and 12pF on- and off-capacitances, respectively, for interfacing to the LIU receiver inputs.

The MAX4670 replaces two diode arrays or two transient voltage suppressors and four dual-SPDT relays, significantly reducing board space and simplifying PC board routing. The MAX4670 pinouts are targeted for T1/E1/J1 applications, resulting in a simplified layout when interfacing with standard line transformers and LIUs. Figure 1 is the functional diagram.

Logic Inputs ($\overline{\text{IN}}_+$, $\overline{\text{SWITCH}}$)

The MAX4670 four logic inputs ($\overline{\text{IN}}_+$) control the switches in pairs and contain a global logic input ($\overline{\text{SWITCH}}$) that connects all COMs to their respective $\overline{\text{NO}}_+$ inputs. $\overline{\text{SWITCH}}$ overrides all $\overline{\text{IN}}_+$ inputs when asserted low, thus connecting all $\overline{\text{NO}}_+$ to COM_ outputs (transmitter/receiver

pairs to the protection bus). When $\overline{\text{SWITCH}}$ asserts high, $\overline{\text{IN}}_+$ controls the switch pairs. See Table 1.

Surge Protection

The MAX4670 includes chip-side, surge-protection capability for short-haul intrabuilding applications. The low-capacitance diodes suppress surge residuals from the primary, line-side protection devices. It is assumed that adequate primary protection is included on the line die of the transformer, as represented in Figures 7–10. Table 2 lists the applicable surge protection setups for E1 interfaces. The MAX4670 surge test was performed per IEC 61000-4-5 Class 2 specifications and passed at $\pm 1\text{kV}$ with only an in-line transformer and primary surge suppressor. The transformer was a Halo TG83-1505NX transformer and the surge suppressor was a Teccor P0640SC.

Applications Information

Redundancy Architecture

Figures 7 through 10 illustrate the MAX4670 used in two different redundancy architectures. There is one backup card for up to N line cards in the system (in this example, $N = 3$). In the event one of the line cards fails (memory failure, power supply went down, etc.), a system supervisory card issues a command to the switches to reroute the traffic to and from the problem line card to the backup line card.

Integrated T1/E1/J1 Short-Haul and Long-Haul Protection Switch

MAX4670

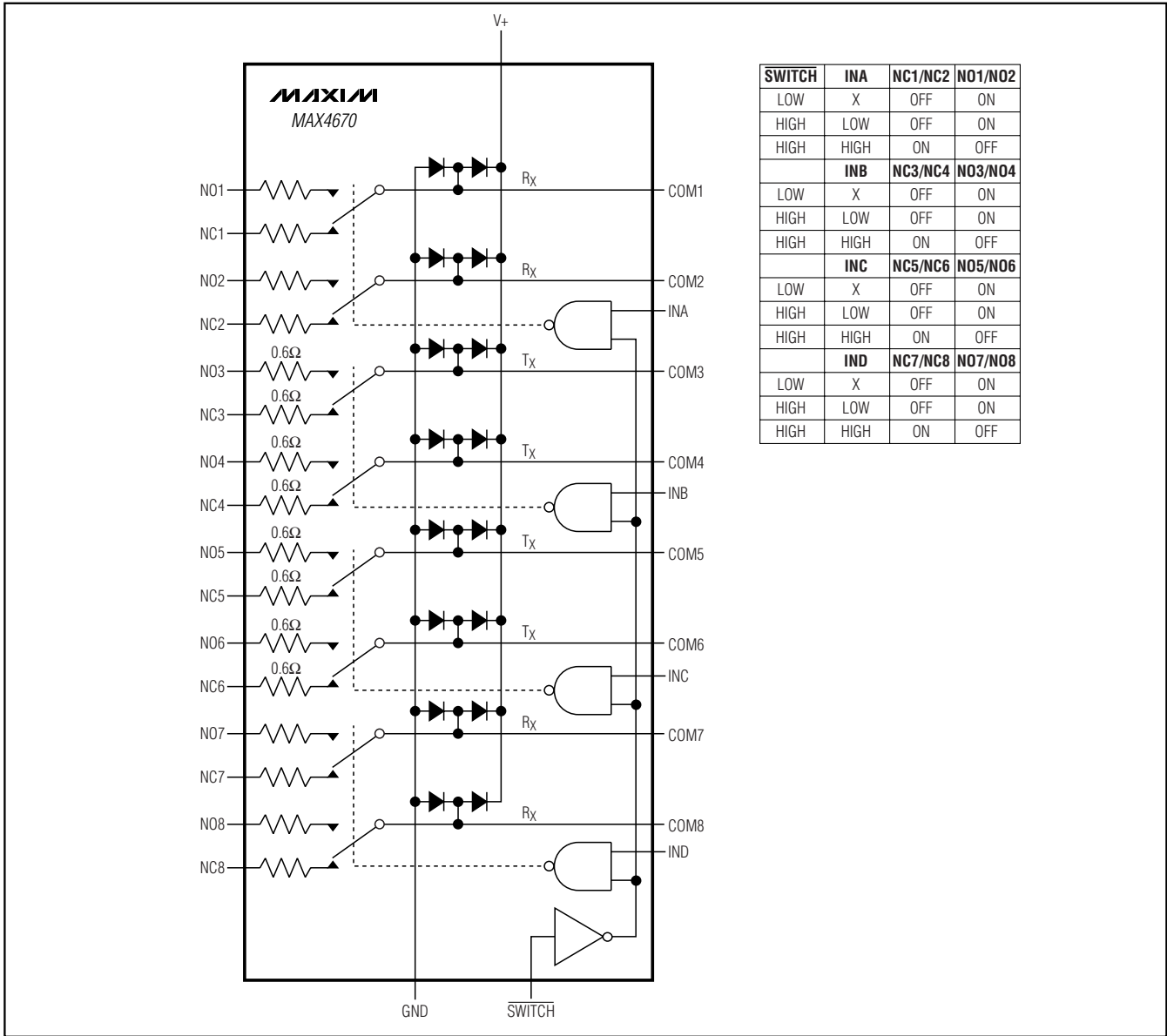


Figure 1. Functional Diagram

In a switching-card architecture, a common switching card contains all the protection switches for the T1/E1/J1 lines entering the system (see Figures 7 and 8).

With an adjacent card architecture, the switches protecting any given line card reside physically in the adjacent line card (see Figures 9 and 10).

Receive and transmit interfaces reside in the same board for each T1/E1/J1 port. The diagrams represent

the typical interface transformers and resistors recommended for Dallas/Maxim LIUs, such as the DS21Q55.

The protection switches are placed in the low-voltage side of the transformer to meet the isolation requirements. Note that there is also a TVS in the line side of the transformers. The receive and transmit resistors provide impedance matching to the T1/E1/J1 transmission cable characteristic impedance. Refer to Application Note 2857 for more information on T1/E1/J1 applications.

Integrated T1/E1/J1 Short-Haul and Long-Haul Protection Switch

Table 1. MAX4670 Truth Table

| SWITCH | INA | NC1/NC2 | NO1/NO2 |
|--------|------|---------|---------|
| LOW | X | OFF | ON |
| HIGH | LOW | OFF | ON |
| HIGH | HIGH | ON | OFF |
| — | INB | NC3/NC4 | NO3/NO4 |
| LOW | X | OFF | ON |
| HIGH | LOW | OFF | ON |
| HIGH | HIGH | ON | OFF |
| — | INC | NC5/NC6 | NO5/NC6 |
| LOW | X | OFF | ON |
| HIGH | LOW | OFF | ON |
| HIGH | HIGH | ON | OFF |
| — | IND | NC7/NC8 | NO7/NO8 |
| LOW | X | OFF | ON |
| HIGH | LOW | OFF | ON |
| HIGH | HIGH | ON | OFF |

Table 2. IEC 61000-4-5 Test Conditions

| TEST CONFIGURATION | TEST CONDITIONS |
|--------------------------------------|--|
| Differential Surge (Line to Line) | 500V peak, 12A min current, 8μs/20μs surge |
| Common-Mode Surge (Line to GND) | 1000V peak, 24A min current, 8μs/20μs surge |

LIU Interface Recommendations

The MAX4670 low 0.7Ω (typ) on-resistance is adequate, even in applications where the LIUs require no external series transmit resistors ($R_t = 0$ in Figures 8 and 10). However, in some instances, increase the LIU output amplitude to compensate for R_{ON} if the LIU supports programmable output amplitude. With LIUs requiring external transmit resistors, it is recommended to reduce R_t by the amount of the typical R_{ON} with LIUs requiring external transmit resistors.

For example, if the LIU vendor recommends $R_t = 9.1\Omega$, the actual value in the application should be:

$$R_t = R_t - R_{ON} = 9.1\Omega - 0.7 = 8.4\Omega$$

The receive interface series resistance is small enough to support LIUs with internal line termination, provided the external 120Ω parallel resistor combination (R_r) is connected, as shown in Figures 7 and 9.

While in normal operation, the MAX4670 requires the input and output signals to be within the V+ and GND supply rails.

ESD Test Conditions

ESD performance depends on a variety of conditions. Contact Maxim for a reliability report that documents test setup, test methodology, and test results.

Human Body Model

Figure 11 shows the Human Body Model. Figure 12 shows the current waveform it generates when discharged into a low impedance. This model consists of a 100pF capacitor charged to the ESD voltage of interest, which is then discharged into the test device through a 1.5kΩ resistor.

IEC 1000-4-2

The IEC 1000-4-2 standard covers ESD testing and performance of finished equipment. It does not specifically refer to ICs. The major difference between tests done using the Human Body Model and IEC 1000-4-2 is a higher peak current in IEC 1000-4-2, because series resistance is lower in the IEC 1000-4-2 model. Hence, the ESD withstands voltage measured to IEC 61000-4-2, and is generally lower than that measured using the Human Body Model. Figure 13 shows the IEC 61000-4-2 model, and Figure 14 shows the current waveform for the ±8kV IEC, 61000-4-2 Level 4, ESD Contact Discharge test. The Air-Gap test involves approaching the device with a charged probe. The Contact Discharge method connects the probe to the device before the probe is energized.

Machine Model

The Machine Model for ESD tests all pins using a 200pF storage capacitor and zero discharge resistance. Its objective is to emulate the stress caused by contact that occurs with handling and assembly during manufacturing.

Integrated T1/E1/J1 Short-Haul and Long-Haul Protection Switch

Test Circuits/Timing Diagrams

MAX4670

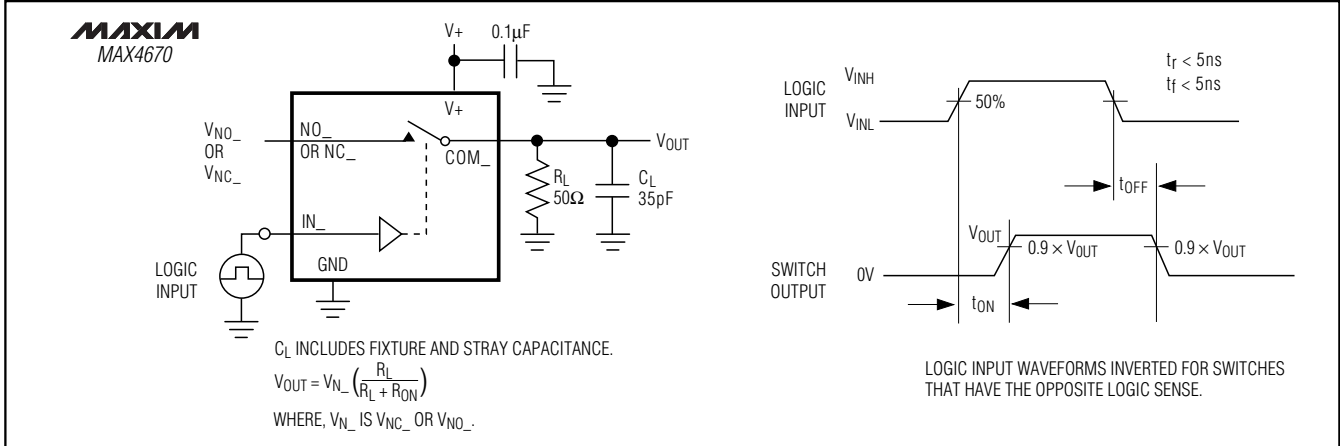


Figure 2. Switching Time

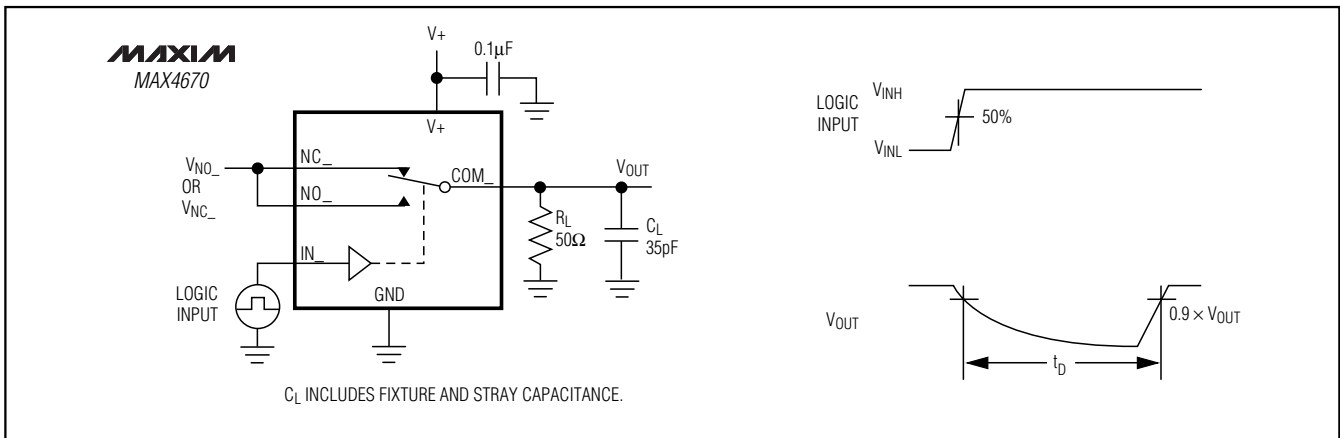


Figure 3. Break-Before-Make Intervals

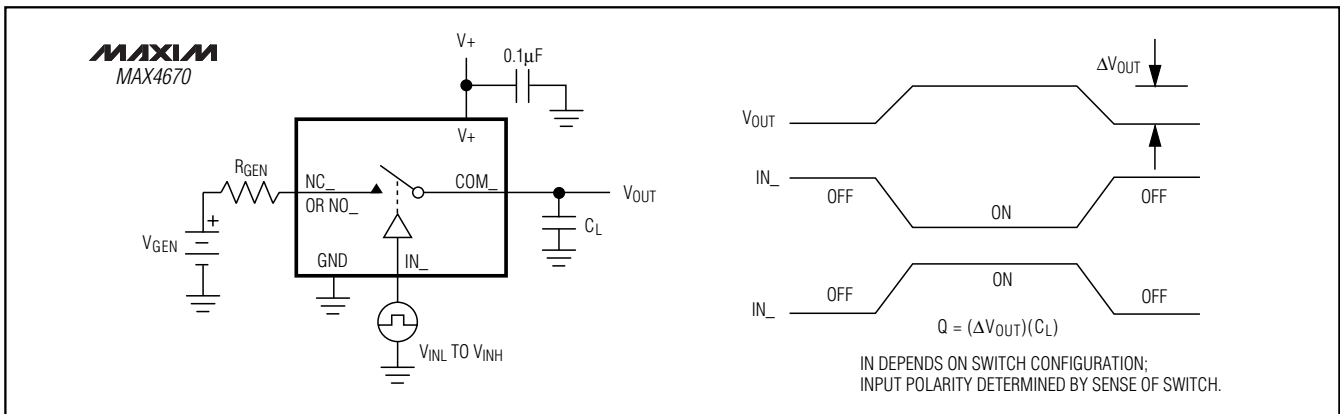


Figure 4. Charge Injection

Integrated T1/E1/J1 Short-Haul and Long-Haul Protection Switch

Test Circuits/Timing Diagrams (continued)

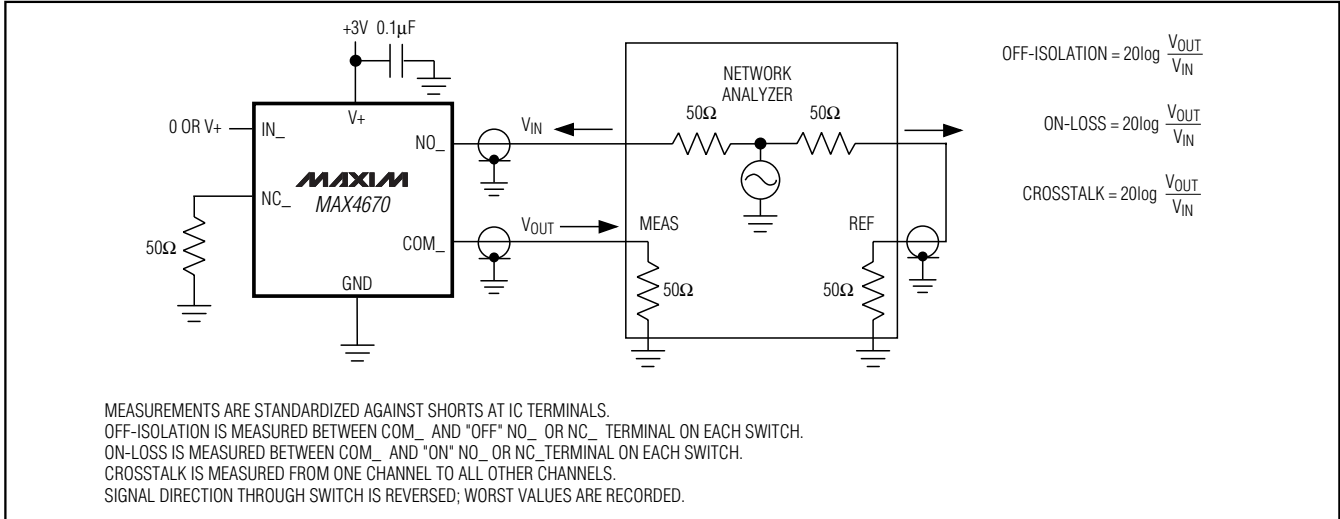


Figure 5. On-Loss, Off-Isolation, and Crosstalk

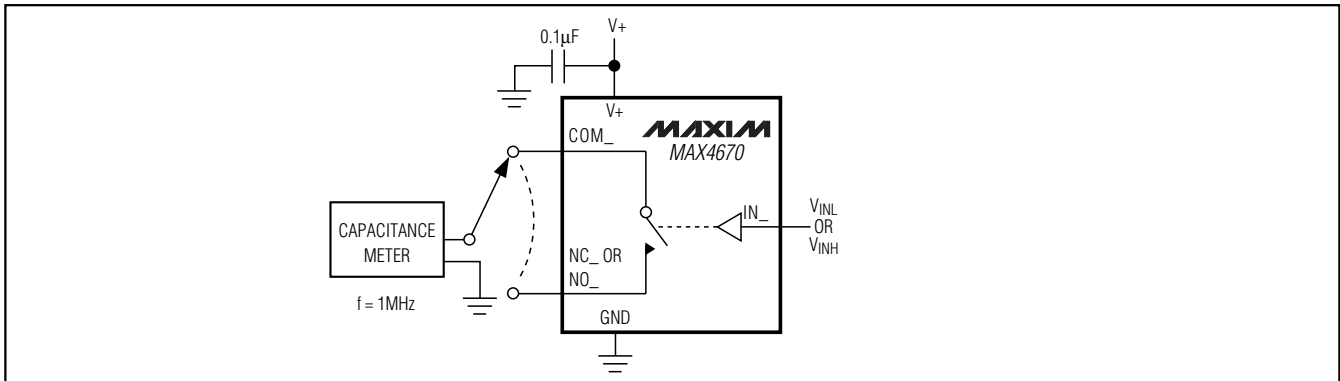


Figure 6. Channel Off-/On-Capacitance

Integrated T1/E1/J1 Short-Haul and Long-Haul Protection Switch

MAX4670

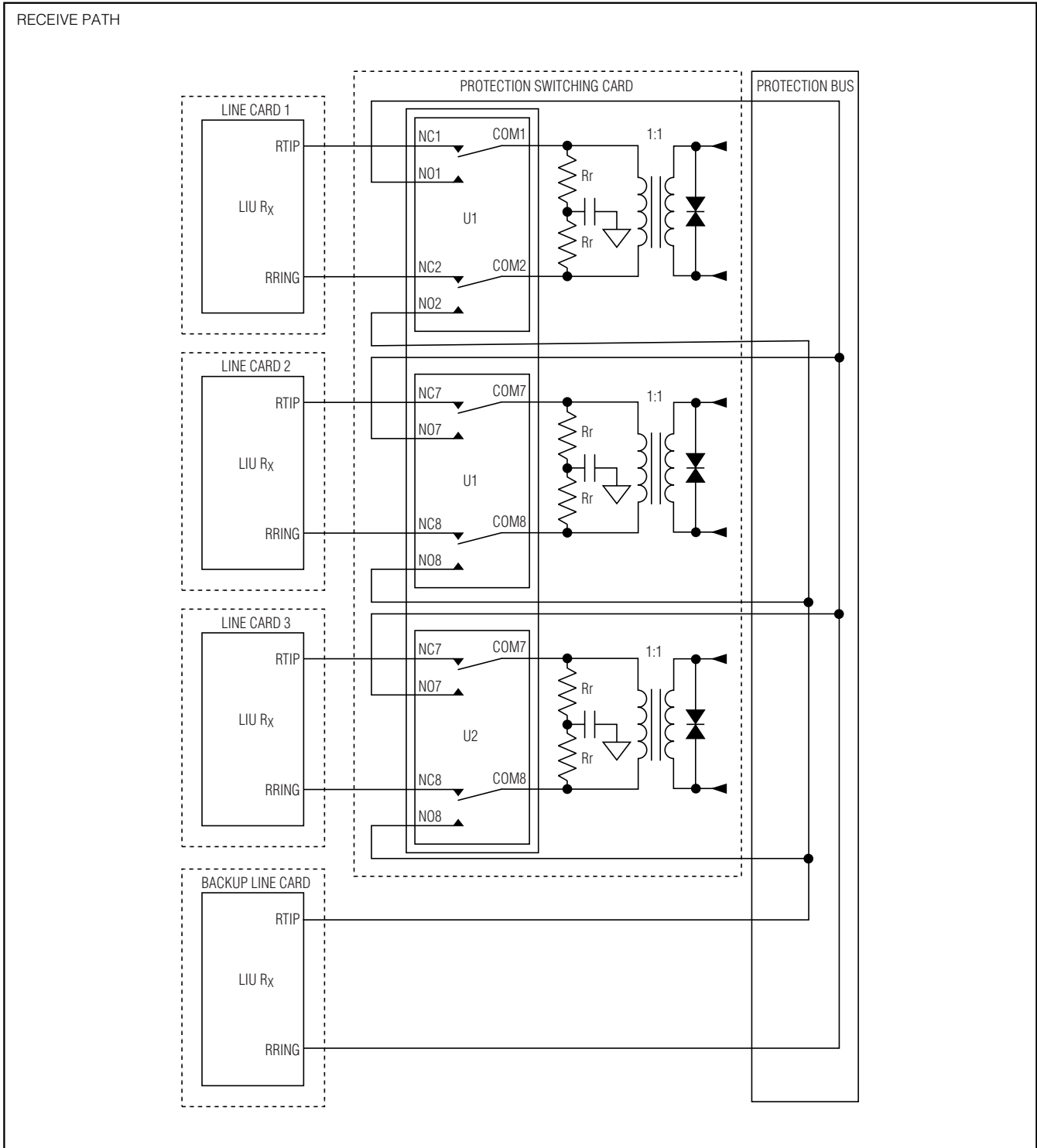


Figure 7. Switching-Card-Architecture Receive Path

Integrated T1/E1/J1 Short-Haul and Long-Haul Protection Switch

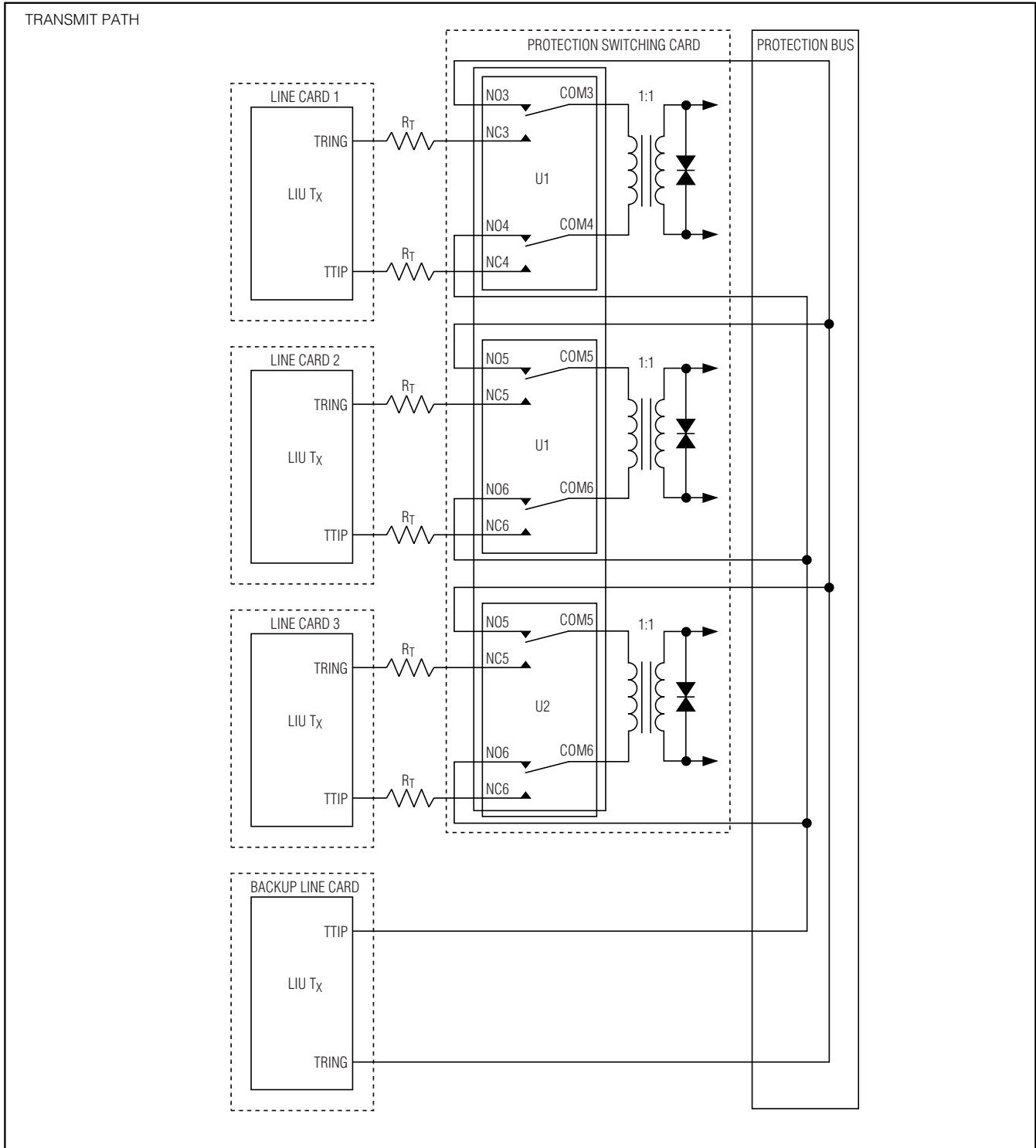


Figure 8. Switching-Card-Architecture Transmit Path

Integrated T1/E1/J1 Short-Haul and Long-Haul Protection Switch

MAX4670

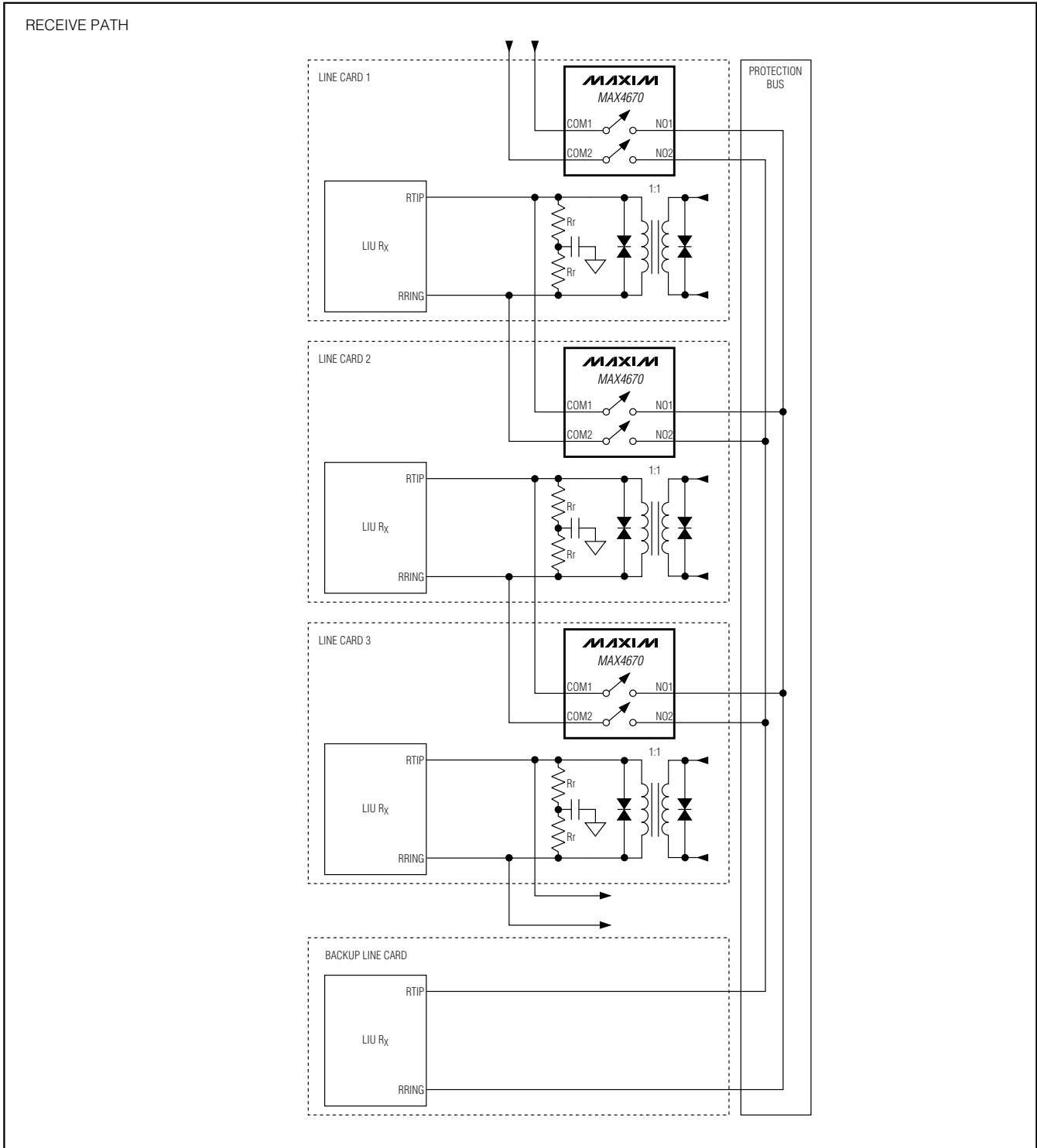


Figure 9. Adjacent-Card-Architecture Receive Path

Integrated T1/E1/J1 Short-Haul and Long-Haul Protection Switch

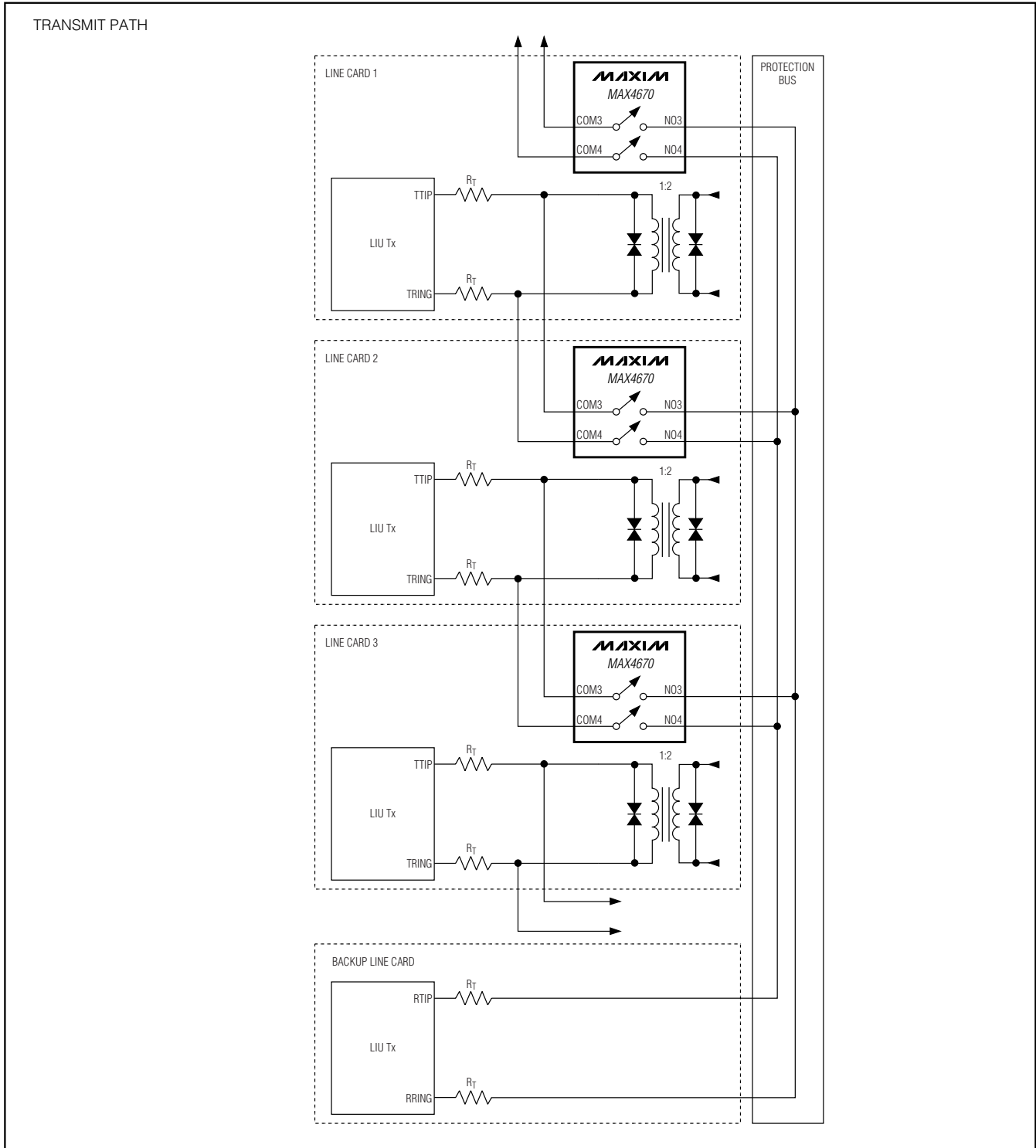


Figure 10. Adjacent-Card-Architecture Transmit Path

Integrated T1/E1/J1 Short-Haul and Long-Haul Protection Switch

MAX4670

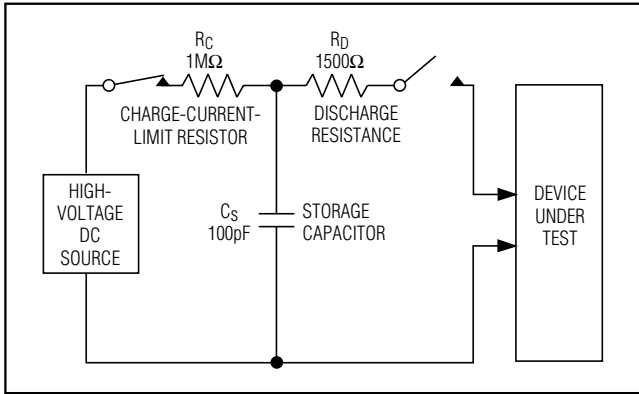


Figure 11. Human Body ESD Test Model

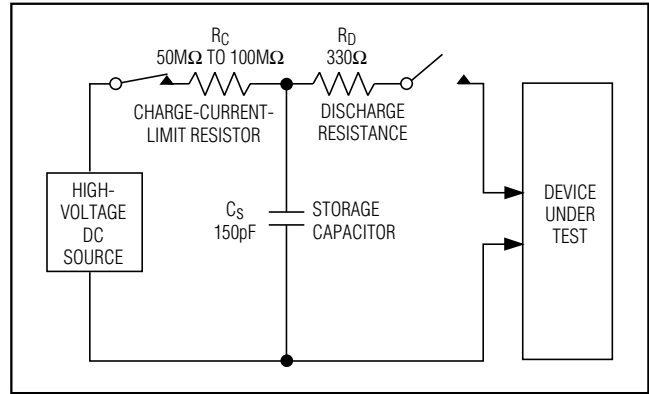


Figure 13. IEC 1000-4-2 ESD Test Model

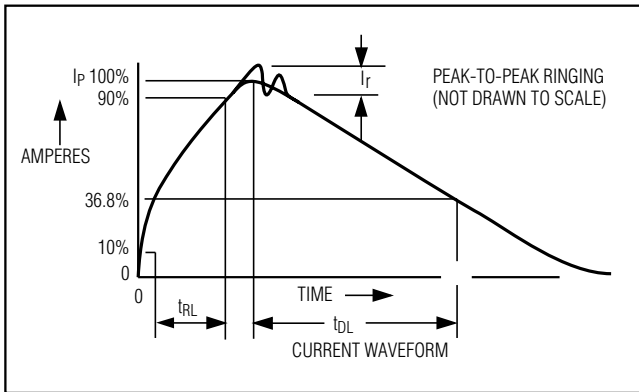


Figure 12. Human Body Model Current Waveform

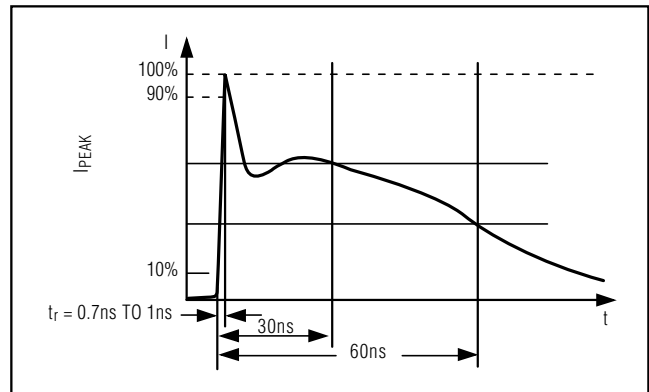
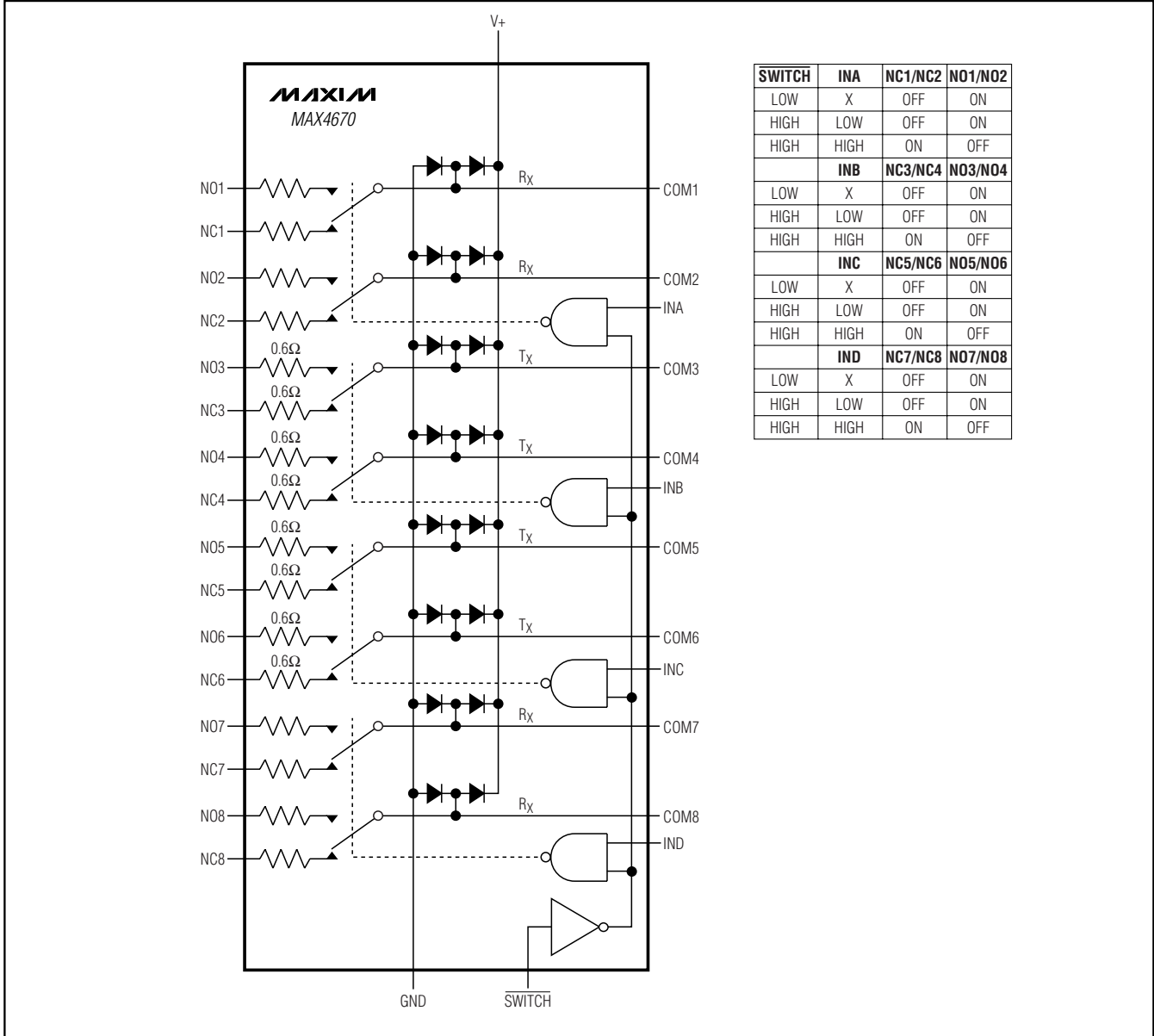


Figure 14. IEC 1000-4-2 ESD Generator Current Waveform

Integrated T1/E1/J1 Short-Haul and Long-Haul Protection Switch

Functional Diagram/Truth Table



Chip Information

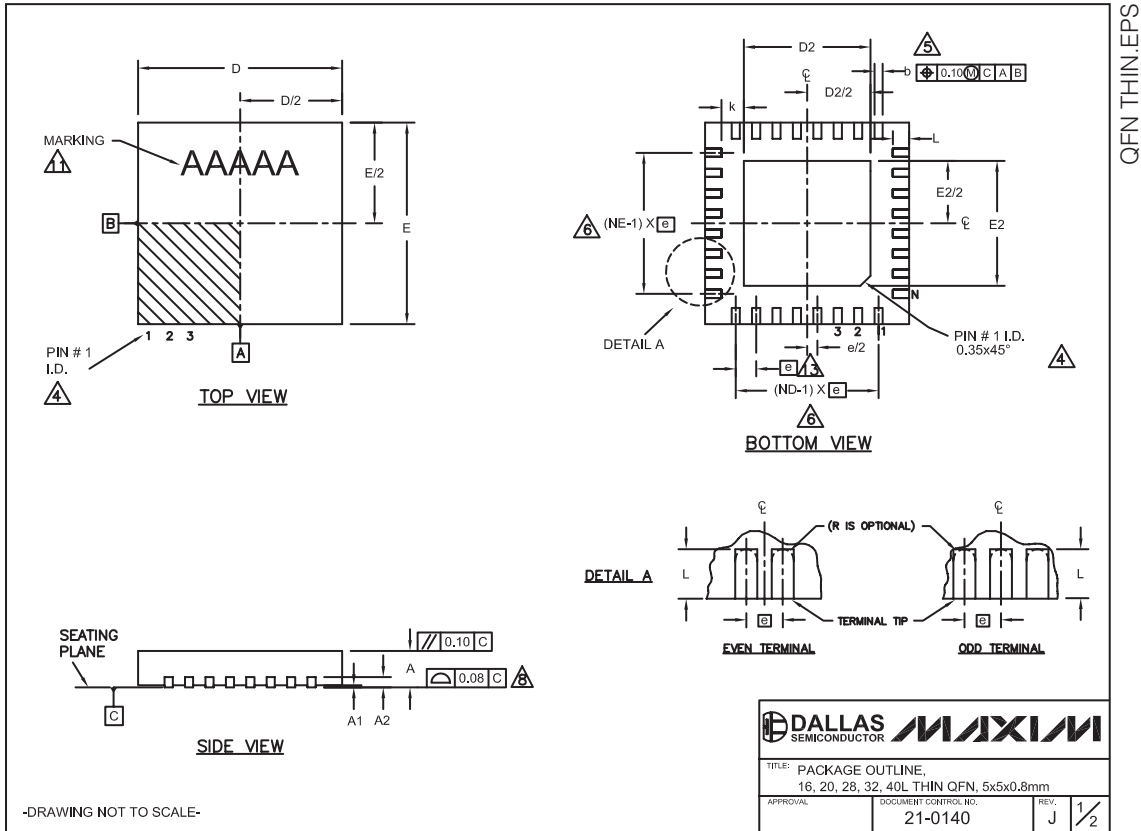
PROCESS: CMOS

Integrated T1/E1/J1 Short-Haul and Long-Haul Protection Switch

Package Information (continued)

(The package drawing(s) in this data sheet may not reflect the most current specifications. For the latest package outline information, go to www.maxim-ic.com/packages.)

MAX4670



Integrated T1/E1/J1 Short-Haul and Long-Haul Protection Switch

Package Information (continued)

(The package drawing(s) in this data sheet may not reflect the most current specifications. For the latest package outline information, go to www.maxim-ic.com/packages.)

| COMMON DIMENSIONS | | | | | | | | | | | | | | | |
|-------------------|-----------|------|------|-----------|------|------|-----------|------|------|-----------|------|------|-----------|------|------|
| PKG. | 16L 5x5 | | | 20L 5x5 | | | 28L 5x5 | | | 32L 5x5 | | | 40L 5x5 | | |
| SYMBOL | MIN. | NOM. | MAX. | MIN. | NOM. | MAX. | MIN. | NOM. | MAX. | MIN. | NOM. | MAX. | MIN. | NOM. | MAX. |
| A | 0.70 | 0.75 | 0.80 | 0.70 | 0.75 | 0.80 | 0.70 | 0.75 | 0.80 | 0.70 | 0.75 | 0.80 | 0.70 | 0.75 | 0.80 |
| A1 | 0 | 0.02 | 0.05 | 0 | 0.02 | 0.05 | 0 | 0.02 | 0.05 | 0 | 0.02 | 0.05 | 0 | 0.02 | 0.05 |
| A2 | 0.20 REF. | | | 0.20 REF. | | | 0.20 REF. | | | 0.20 REF. | | | 0.20 REF. | | |
| b | 0.25 | 0.30 | 0.35 | 0.25 | 0.30 | 0.35 | 0.20 | 0.25 | 0.30 | 0.20 | 0.25 | 0.30 | 0.15 | 0.20 | 0.25 |
| D | 4.90 | 5.00 | 5.10 | 4.90 | 5.00 | 5.10 | 4.90 | 5.00 | 5.10 | 4.90 | 5.00 | 5.10 | 4.90 | 5.00 | 5.10 |
| E | 4.90 | 5.00 | 5.10 | 4.90 | 5.00 | 5.10 | 4.90 | 5.00 | 5.10 | 4.90 | 5.00 | 5.10 | 4.90 | 5.00 | 5.10 |
| e | 0.80 BSC. | | | 0.65 BSC. | | | 0.50 BSC. | | | 0.50 BSC. | | | 0.40 BSC. | | |
| k | 0.25 | - | - | 0.25 | - | - | 0.25 | - | - | 0.25 | - | - | 0.25 | - | - |
| L | 0.30 | 0.40 | 0.50 | 0.45 | 0.55 | 0.65 | 0.45 | 0.55 | 0.65 | 0.30 | 0.40 | 0.50 | 0.30 | 0.40 | 0.50 |
| N | 16 | | | 20 | | | 28 | | | 32 | | | 40 | | |
| ND | 4 | | | 5 | | | 7 | | | 8 | | | 10 | | |
| NE | 4 | | | 5 | | | 7 | | | 8 | | | 10 | | |
| JEDEC | WHHB | | | WHHC | | | WHHD-1 | | | WHHD-2 | | | --- | | |

| EXPOSED PAD VARIATIONS | | | | | | |
|------------------------|------|------|------|------|------|------|
| PKG. CODES | D2 | | | E2 | | |
| | MIN. | NOM. | MAX. | MIN. | NOM. | MAX. |
| T1655-2 | 3.00 | 3.10 | 3.20 | 3.00 | 3.10 | 3.20 |
| T1655-3 | 3.00 | 3.10 | 3.20 | 3.00 | 3.10 | 3.20 |
| T1655N-1 | 3.00 | 3.10 | 3.20 | 3.00 | 3.10 | 3.20 |
| T2055-3 | 3.00 | 3.10 | 3.20 | 3.00 | 3.10 | 3.20 |
| T2055-4 | 3.00 | 3.10 | 3.20 | 3.00 | 3.10 | 3.20 |
| T2055-5 | 3.15 | 3.25 | 3.35 | 3.15 | 3.25 | 3.35 |
| T2855-3 | 3.15 | 3.25 | 3.35 | 3.15 | 3.25 | 3.35 |
| T2855-4 | 2.60 | 2.70 | 2.80 | 2.60 | 2.70 | 2.80 |
| T2855-5 | 2.60 | 2.70 | 2.80 | 2.60 | 2.70 | 2.80 |
| T2855-6 | 3.15 | 3.25 | 3.35 | 3.15 | 3.25 | 3.35 |
| T2855-7 | 2.60 | 2.70 | 2.80 | 2.60 | 2.70 | 2.80 |
| T2855-8 | 3.15 | 3.25 | 3.35 | 3.15 | 3.25 | 3.35 |
| T2855N-1 | 3.15 | 3.25 | 3.35 | 3.15 | 3.25 | 3.35 |
| T3255-3 | 3.00 | 3.10 | 3.20 | 3.00 | 3.10 | 3.20 |
| T3255-4 | 3.00 | 3.10 | 3.20 | 3.00 | 3.10 | 3.20 |
| T3255-5 | 3.00 | 3.10 | 3.20 | 3.00 | 3.10 | 3.20 |
| T3255N-1 | 3.00 | 3.10 | 3.20 | 3.00 | 3.10 | 3.20 |
| T4055-1 | 3.40 | 3.50 | 3.60 | 3.40 | 3.50 | 3.60 |
| T4055-2 | 3.40 | 3.50 | 3.60 | 3.40 | 3.50 | 3.60 |

**SEE COMMON DIMENSIONS TABLE

NOTES:

- DIMENSIONING & TOLERANCING CONFORM TO ASME Y14.5M-1994.
- ALL DIMENSIONS ARE IN MILLIMETERS, ANGLES ARE IN DEGREES.
- N IS THE TOTAL NUMBER OF TERMINALS.
- THE TERMINAL #1 IDENTIFIER AND TERMINAL NUMBERING CONVENTION SHALL CONFORM TO JEDEC 95-1 SPP-012. DETAILS OF TERMINAL #1 IDENTIFIER ARE OPTIONAL, BUT MUST BE LOCATED WITHIN THE ZONE INDICATED. THE TERMINAL #1 IDENTIFIER MAY BE EITHER A MOLD OR MARKED FEATURE.
- DIMENSION b APPLIES TO METALLIZED TERMINAL AND IS MEASURED BETWEEN 0.25 mm AND 0.30 mm FROM TERMINAL TIP.
- ND AND NE REFER TO THE NUMBER OF TERMINALS ON EACH D AND E SIDE RESPECTIVELY.
- DEPOPULATION IS POSSIBLE IN A SYMMETRICAL FASHION.
- COPLANARITY APPLIES TO THE EXPOSED HEAT SINK SLUG AS WELL AS THE TERMINALS.
- DRAWING CONFORMS TO JEDEC MO220, EXCEPT EXPOSED PAD DIMENSION FOR T2855-3 AND T2855-6.
- WARPAGE SHALL NOT EXCEED 0.10 mm.
- MARKING IS FOR PACKAGE ORIENTATION REFERENCE ONLY.
- NUMBER OF LEADS SHOWN ARE FOR REFERENCE ONLY.
- LEAD CENTERLINES TO BE AT TRUE POSITION AS DEFINED BY BASIC DIMENSION "e", ±0.05.

-DRAWING NOT TO SCALE-

| | |
|--|------------------------------|
| | |
| TITLE: PACKAGE OUTLINE, 16, 20, 28, 32, 40L THIN QFN, 5x5x0.8mm | |
| APPROVAL | DOCUMENT CONTROL NO. 21-0140 |
| REV. J | 2/2 |

Maxim cannot assume responsibility for use of any circuitry other than circuitry entirely embodied in a Maxim product. No circuit patent licenses are implied. Maxim reserves the right to change the circuitry and specifications without notice at any time.

20 _____ **Maxim Integrated Products, 120 San Gabriel Drive, Sunnyvale, CA 94086 408-737-7600**

Компания «Океан Электроники» предлагает заключение долгосрочных отношений при поставках импортных электронных компонентов на взаимовыгодных условиях!

Наши преимущества:

- Поставка оригинальных импортных электронных компонентов напрямую с производств Америки, Европы и Азии, а так же с крупнейших складов мира;
- Широкая линейка поставок активных и пассивных импортных электронных компонентов (более 30 млн. наименований);
- Поставка сложных, дефицитных, либо снятых с производства позиций;
- Оперативные сроки поставки под заказ (от 5 рабочих дней);
- Экспресс доставка в любую точку России;
- Помощь Конструкторского Отдела и консультации квалифицированных инженеров;
- Техническая поддержка проекта, помощь в подборе аналогов, поставка прототипов;
- Поставка электронных компонентов под контролем ВП;
- Система менеджмента качества сертифицирована по Международному стандарту ISO 9001;
- При необходимости вся продукция военного и аэрокосмического назначения проходит испытания и сертификацию в лаборатории (по согласованию с заказчиком);
- Поставка специализированных компонентов военного и аэрокосмического уровня качества (Xilinx, Altera, Analog Devices, Intersil, Interpoint, Microsemi, Actel, Aeroflex, Peregrine, VPT, Syfer, Eurofarad, Texas Instruments, MS Kennedy, Miteq, Cobham, E2V, MA-COM, Hittite, Mini-Circuits, General Dynamics и др.);

Компания «Океан Электроники» является официальным дистрибьютором и эксклюзивным представителем в России одного из крупнейших производителей разъемов военного и аэрокосмического назначения «JONHON», а так же официальным дистрибьютором и эксклюзивным представителем в России производителя высокотехнологичных и надежных решений для передачи СВЧ сигналов «FORSTAR».



JONHON

«JONHON» (основан в 1970 г.)

Разъемы специального, военного и аэрокосмического назначения:

(Применяются в военной, авиационной, аэрокосмической, морской, железнодорожной, горно- и нефтедобывающей отраслях промышленности)

«FORSTAR» (основан в 1998 г.)

ВЧ соединители, коаксиальные кабели, кабельные сборки и микроволновые компоненты:

(Применяются в телекоммуникациях гражданского и специального назначения, в средствах связи, РЛС, а так же военной, авиационной и аэрокосмической отраслях промышленности).



Телефон: 8 (812) 309-75-97 (многоканальный)

Факс: 8 (812) 320-03-32

Электронная почта: ocean@oceanchips.ru

Web: <http://oceanchips.ru/>

Адрес: 198099, г. Санкт-Петербург, ул. Калинина, д. 2, корп. 4, лит. А