

DESCRIPTION

The MP6400 family is the microprocessor (μ P) supervisory circuit which can monitor and provide reset function for system voltages from 0.4V. When either the SENSE voltage falls below its threshold (V_{IT}) or the voltage of manual reset (\overline{MR}) is pulled to a logic low, the \overline{RESET} signal will be asserted. The reset voltage can be factory-set for standard voltage rails from 0.9V to 5V, while the MP6400DG(J)-01 reset voltage is adjustable with an external resistor divider. When SENSE voltage and \overline{MR} exceed their thresholds, \overline{RESET} is driven to a logic high after a user-programmable delay time.

The MP6400 has a very low quiescent current of 1.6 μ A typically, which makes it ideal suitable for battery-powered applications. It provides a precision reference to achieve $\pm 1\%$ threshold accuracy. The reset delay time can be selected by a capacitor which is connected between C_{DELAY} and GND, allowing the user to select any delay time from 2.1ms to 10s. 380ms delay time is selected by connecting the C_{DELAY} pin to V_{CC} , while 24ms delay time by leaving the C_{DELAY} pin float. MP6400 is available in TSOT23 and 2mm \times 2mm 6-pin QFN packages.

FEATURES

- Fixed Threshold Voltages for Standard Voltage Rails From 0.9V to 5V and Adjustable Voltage From 0.4V are Available
- Low Quiescent Current: 1.6 μ A typ
- Power-On Reset Generator with Adjustable Delay Time: 2.1ms to 10s
- High Threshold Accuracy: $\pm 1\%$ typ
- Manual Reset (\overline{MR}) Input
- Open-Drain \overline{RESET} Output
- Immune to Short Negative SENSE voltage
- Guaranteed Reset Valid to $V_{CC}=0.8V$
- 6 Pin TSOT23 and 2mm \times 2mm QFN

APPLICATIONS

- DSP or Micro controller Applications
- Laptop/Desktop Computers
- PDAs/Hand-Held Products
- Portable/Battery-Powered Products
- FPGA/ASIC Applications

All MPS parts are lead-free and adhere to the RoHS directive. For MPS green status, please visit MPS website under Quality Assurance. "MPS" and "The Future of Analog IC Technology" are Registered Trademarks of Monolithic Power Systems, Inc.

TYPICAL APPLICATION



ORDERING INFORMATION

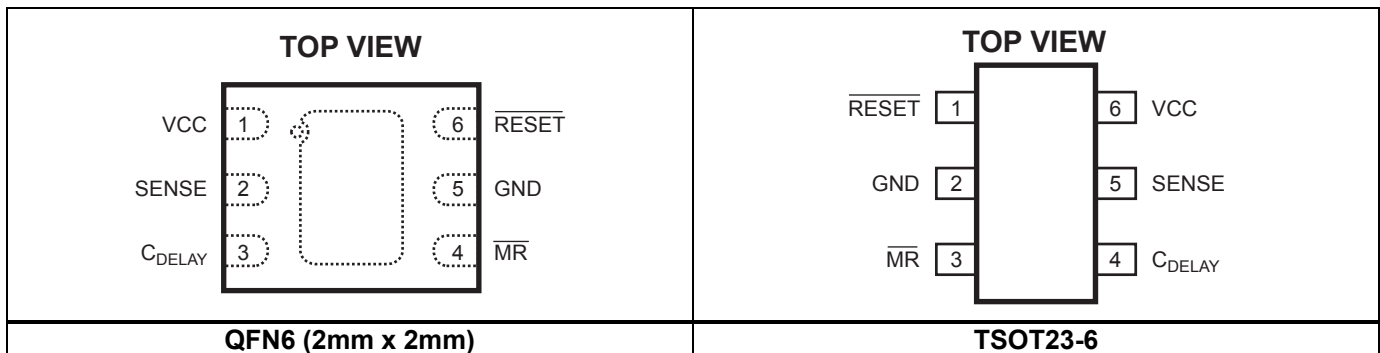
| Part Number* | Package | Top Marking | Free Air Temperature (T _A) |
|--------------|-----------------|-----------------|--|
| MP6400DG-01 | QFN6 (2x2mm) | 5B | -40°C to +85°C |
| MP6400DG-09 | | AD | |
| MP6400DG-12 | | AC | |
| MP6400DG-15 | | Contact Factory | |
| MP6400DG-25 | | 4V | |
| MP6400DG-30 | | Contact Factory | |
| MP6400DG-33 | | 9R | |
| MP6400DJ-01 | | TSOT23-6 | |
| MP6400DJ-09 | AAG | | |
| MP6400DJ-12 | Contact Factory | | |
| MP6400DJ-15 | Contact Factory | | |
| MP6400DJ-25 | 4V | | |
| MP6400DJ-30 | Contact Factory | | |
| MP6400DJ-33 | 3S | | |

*For Tape & Reel, add suffix -Z (e.g. MP6400DG-XX-Z);

For RoHS compliant packaging, add suffix -LF (e.g. MP6400DG-XX-LF-Z).

* For other versions, contact factory for availability.

PACKAGE REFERENCE



ABSOLUTE MAXIMUM RATINGS ⁽¹⁾

| | |
|--|--------------------------|
| Supply Voltage V_{CC} | -0.3 to 6.5 V |
| C_{DELAY} Voltage V_{CDELAY} | -0.3V to $V_{CC} + 0.3V$ |
| SENSE Voltage V_{SENSE} | -0.3V to 6V |
| All Other Pins | -0.3V to +6.5V |
| RESET Current I_{RESET} | 5mA |
| Continuous Power Dissipation ($T_A = +25^{\circ}C$) ⁽²⁾ | |
| QFN6 (2mmx2mm) | 2.5W |
| TSOT23-6 | 0.57W |
| Junction Temperature | 150°C |
| Lead Temperature | 260°C |
| Storage Temperature..... | -65°C to +150°C |

Recommended Operating Conditions ⁽³⁾

| | |
|--------------------------------------|-----------------|
| Supply Voltage V_{CC} | 1.8V to 6V |
| Operating Junct. Temp (T_J)..... | -40°C to +125°C |

Thermal Resistance ⁽⁴⁾

| | θ_{JA} | θ_{JC} |
|----------------------|---------------|---------------|
| QFN6 (2mmx2mm) | 50 | 12 ... °C/W |
| TSOT23-6 | 220 | 110 .. °C/W |

Notes:

- 1) Exceeding these ratings may damage the device.
- 2) The maximum allowable power dissipation is a function of the maximum junction temperature $T_J(MAX)$, the junction-to-ambient thermal resistance θ_{JA} , and the ambient temperature T_A . The maximum allowable continuous power dissipation at any ambient temperature is calculated by $P_D(MAX)=(T_J(MAX)-T_A)/\theta_{JA}$. Exceeding the maximum allowable power dissipation will cause excessive die temperature, and the regulator will go into thermal shutdown. Internal thermal shutdown circuitry protects the device from permanent damage.
- 3) The device is not guaranteed to function outside of its operating conditions.
- 4) Measured on JESD51-7 4-layer board.

ELECTRICAL CHARACTERISTICS

1.8V ≤ V_{CC} ≤ 6V, R₃ = 100kΩ, C₃ = 47pF, T_A = -40°C to +85°C, Typical values are at T_A = +25°C, unless otherwise noted.

| Parameters | Symbol | Condition | Min | Typ | Max | Units |
|---|--------------------|--|--------------------|------|---------------------|-------------------|
| Input Supply Range | V _{CC} | | 1.8 | | 6 | V |
| Supply Current (current into V _{CC} pin) | I _{CC} | V _{CC} = 3.3V, $\overline{\text{RESET}}$ not asserted. $\overline{\text{MR}}$, $\overline{\text{RESET}}$, C _{DELAY} open | | 1.6 | 3.5 | μA |
| | | V _{CC} = 6V, $\overline{\text{RESET}}$ not asserted. $\overline{\text{MR}}$, $\overline{\text{RESET}}$, C _{DELAY} open | | 1.85 | 12 | μA |
| Low-level Output Voltage | V _{OL} | 1.3V ≤ V _{CC} < 1.8V, I _{OL} = 0.4mA | | | 0.3 | V |
| | | 1.8V ≤ V _{CC} ≤ 6V, I _{OL} = 1.0mA | | | 0.4 | V |
| Power-up Reset Voltage ⁽⁵⁾ | | V _{OL} (max) = 0.2V, I _{RESET} = 15μA, T _{rise(V_{CC})} ≥ 15μs/V | | | 0.8 | V |
| Negative-going Input Threshold Accuracy | V _{IT} | V _{SENSE} falling slowly | | ±1.0 | ±2.0 | % |
| Hysteresis on V _{IT} Pin | V _{HYS} | | | 1.5 | 3.5 | V _{IT} % |
| $\overline{\text{MR}}$ Internal Pull-up Resistance | R _{MR} | | 50 | 110 | | kΩ |
| Input Current at SENSE Pin | I _{SENSE} | MP6400DJ-01 V _{SENSE} = V _{IT} | -25 | | +25 | nA |
| | | Fixed versions V _{SENSE} = 6V | | 2.4 | | μA |
| $\overline{\text{RESET}}$ Leakage Current | | V _{RESET} = 6V, $\overline{\text{RESET}}$ not asserted | | | 300 | nA |
| $\overline{\text{MR}}$ Logic Low Input | V _{IL} | | | | 0.25V _{CC} | V |
| $\overline{\text{MR}}$ Logic High Input | V _{IH} | | 0.7V _{CC} | | | V |
| SENSE Maximum Transient Duration | t _w | V _{IH} = 1.05 V _{IT} , V _{IL} = 0.95 V _{IT} | | 17.5 | | μs |
| $\overline{\text{RESET}}$ Delay Time | t _d | C _{DELAY} = Open | 15 | 24 | 34 | ms |
| | | C _{DELAY} = V _{CC} ⁽⁶⁾ | 230 | 380 | 530 | ms |
| | | C _{DELAY} = 150pF | 1.3 | 2.1 | 3 | ms |
| | | C _{DELAY} = 10nF ⁽⁶⁾ | 61 | 102 | 142 | ms |
| $\overline{\text{MR}}$ to $\overline{\text{RESET}}$ Propagation Delay | t _{pHL1} | V _{IH} = 0.7 V _{CC} , V _{IL} = 0.25 V _{CC} | | 160 | | ns |
| High to Low Level $\overline{\text{RESET}}$ Delay, SENSE to $\overline{\text{RESET}}$ | t _{pHL2} | V _{IH} = 1.05 V _{IT} , V _{IL} = 0.95 V _{IT} | | 17.5 | | μs |

Note:

5) The lowest supply voltage (V_{CC}) at which $\overline{\text{RESET}}$ becomes active.

6) Guaranteed by design.

STANDARD VERSIONS ⁽⁷⁾

| Product | Package | Top Mark | Nominal Supply Voltage | Threshold Voltage (VIT) |
|--------------|---------|-----------------|------------------------|-------------------------|
| MP6400DG-01 | QFN | 5B | Adjustable | 0.4V |
| MP6400DJ-01 | TSOT23 | 4B | | |
| MP6400DG-09 | QFN | AD | 0.9V | 0.84V |
| MP6400DJ-09 | TSOT23 | AAG | | |
| MP6400DG-12 | QFN | AC | 1.2V | 1.12V |
| MP6400DJ-12 | TSOT23 | Contact Factory | | |
| MP6400DG-125 | QFN | Contact Factory | 1.25V | 1.16V |
| MP6400DJ-125 | TSOT23 | Contact Factory | | |
| MP6400DG-15 | QFN | Contact Factory | 1.5V | 1.40V |
| MP6400DJ-15 | TSOT23 | Contact Factory | | |
| MP6400DG-18 | QFN | Contact Factory | 1.8V | 1.67V |
| MP6400DJ-18 | TSOT23 | Contact Factory | | |
| MP6400DG-25 | QFN | 4V | 2.5V | 2.33V |
| MP6400DJ-25 | TSOT23 | 4V | | |
| MP6400DG-30 | QFN | Contact Factory | 3.0V | 2.79V |
| MP6400DJ-30 | TSOT23 | Contact Factory | | |
| MP6400DG-33 | QFN | 9R | 3.3V | 3.07V |
| MP6400DJ-33 | TSOT23 | 3S | | |
| MP6400DG-50 | QFN | Contact Factory | 5.0V | 4.65V |
| MP6400DJ-50 | TSOT23 | Contact Factory | | |

Note:

7) In "MP6400DG(J)-__", the "__" are placeholders for the monitored voltage levels of the devices. Desired monitored voltages are set by the suffix found in ordering information.

PIN FUNCTIONS

| QFN Pin # | TSOT Pin # | Name | Description |
|-----------|------------|---------------------------|--|
| 6 | 1 | $\overline{\text{RESET}}$ | $\overline{\text{RESET}}$ is an open drain signal which will be asserted when the SENSE voltage drops below a preset threshold or when the manual reset ($\overline{\text{MR}}$) pin drops to a logic low. The $\overline{\text{RESET}}$ delay time is programmable from 2.1ms to 10s by using external capacitors. A pull-up resistor bigger than 10k should be connected this pin to supply line, and the $\overline{\text{RESET}}$ outputting a higher voltage than V_{CC} is allowable. |
| 5 | 2 | GND | Ground. |
| 4 | 3 | $\overline{\text{MR}}$ | The manual reset ($\overline{\text{MR}}$) can introduce another logic signal to control the $\overline{\text{RESET}}$. It is internally connected to V_{CC} through a 90k Ω resistor. |
| 3 | 4 | C_{DELAY} | Programmable reset delay time pin. When C_{DELAY} connected to V_{CC} through a resistor between 50k Ω and 200k Ω , a 380ms delay time is selected. When C_{DELAY} floated, the delay time is 24ms. A capacitor bigger than 150pF connected C_{DELAY} to GND could be used to get the user's programmable time from 2.1ms to 10s. |
| 2 | 5 | SENSE | SENSE pin is connected to the monitored system voltage. When the monitored voltage is below desired threshold, $\overline{\text{RESET}}$ is asserted. |
| 1 | 6 | V_{CC} | Supply voltage. A 0.1uF decoupling ceramic capacitor should be put close to this pin. |

DETAIL DESCRIPTION

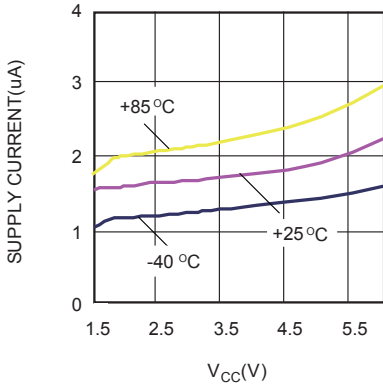
The MP6400 product family asserts a $\overline{\text{RESET}}$ signal when either the SENSE pin voltage is lower than V_{IT} or the manual reset ($\overline{\text{MR}}$) is driven low. The MP6400 family can be monitored a fixed voltage from 0.9V to 5.0V, while the MP6400DG(J)-01 can monitor any voltage above 0.4V by adjusting the external resistor divider. After both the manual reset ($\overline{\text{MR}}$) and SENSE voltages exceed their thresholds, the $\overline{\text{RESET}}$

output remains asserted for a user's programmable delay time. Two fixed $\overline{\text{RESET}}$ delay times are user-selectable: 380ms delay time by connecting the C_{DELAY} pin to V_{CC} , and 24ms delay time by leaving the C_{DELAY} pin float. Any delay time from 2.1ms to 10s could be gotten by connecting a capacitor between C_{DELAY} and GND. The wide monitor voltage and programmable reset delay time make MP6400 product family suitable for a broad array of applications.

TYPICAL PERFORMANCE CHARACTERISTICS

$V_{CC}=3.3V$, $R_3 = 100k\Omega$, $C_3 = 47pF$, $T_A= -40^{\circ}C$ to $+85^{\circ}C$, Typical values are at $T_A=+25^{\circ}C$, unless otherwise noted.

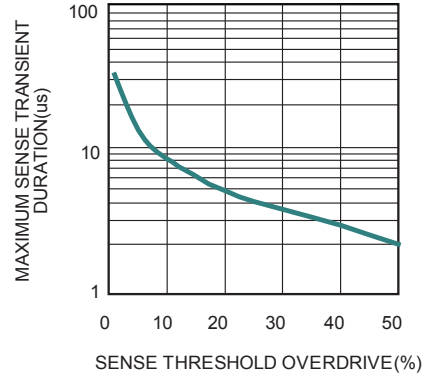
Supply Current vs. V_{CC}



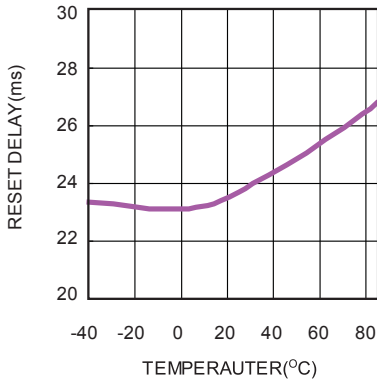
Reset Delay Time vs. C_{DELAY}



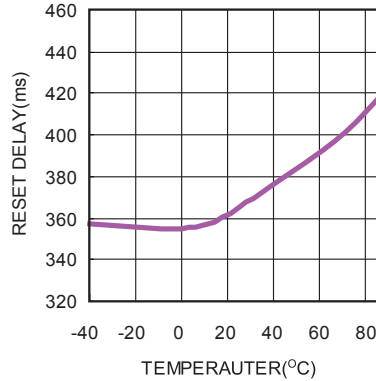
Maximum SENSE Transient Duration vs. SENSE Threshold Overdrive Voltage



Reset Delay vs. Temperature ($C_{DELAY}=open$)



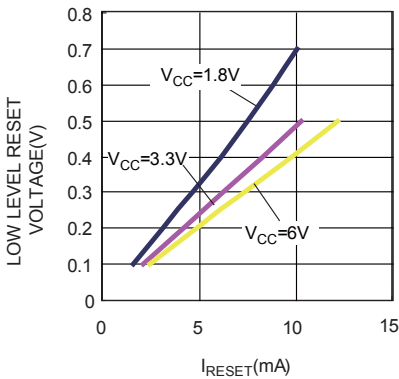
Reset Delay vs. Temperature ($C_{DELAY}=V_{CC}$)



V_{IT} vs. Temperature



I_{RESET} vs. Low Level RESET Voltage



FUNCTIONAL BLOCK DIAGRAM

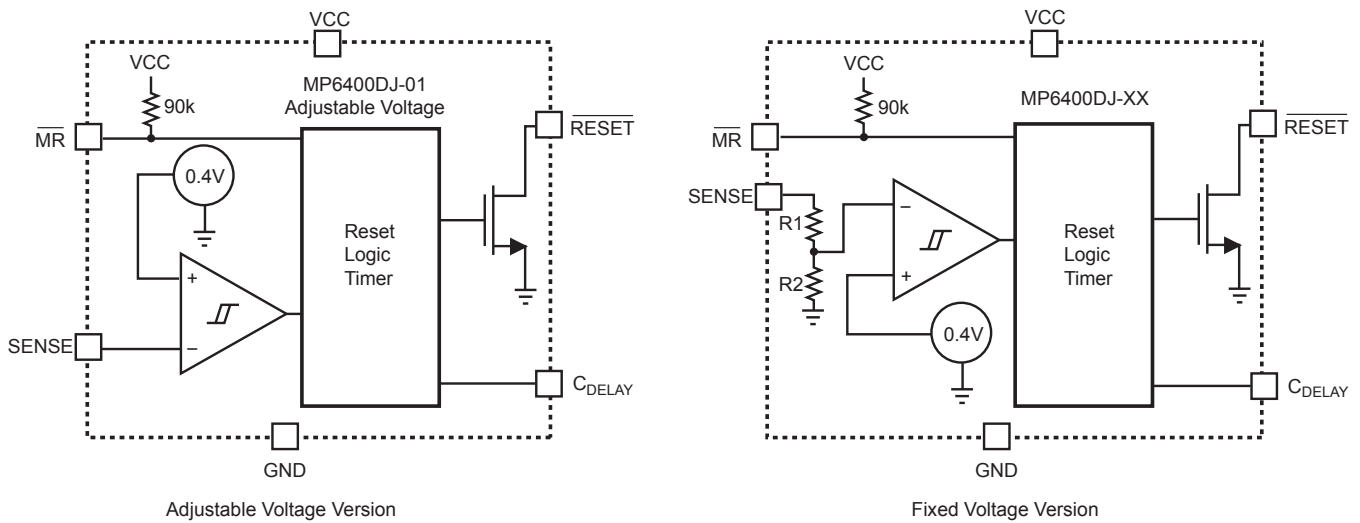


Figure 1—Functional Block Diagram



Figure 2—MP6400 Timing Diagram

TRUTH TABLE

| \overline{MR} | $SENSE > V_{IT}$ | \overline{RESET} |
|-----------------|------------------|--------------------|
| L | 0 | L |
| L | 1 | L |
| H | 0 | L |
| H | 1 | H |

APPLICATION INFORMATION

Reset Output Function

The MP6400 $\overline{\text{RESET}}$ output is typically connected to the $\overline{\text{RESET}}$ input of a microprocessor, as shown in Figure 3. When $\overline{\text{RESET}}$ is not asserted, a pull up resistor must be connected to hold this signal high. The voltage of reset signal is allowed to be higher than V_{CC} (up to 6V) through a resistor pulling up from supply line. If the voltage is below 0.8V, $\overline{\text{RESET}}$ output is undefined. This condition can be ignored generally because that most microprocessors do not function at this state. When both SENSE and $\overline{\text{MR}}$ are higher than their threshold voltage, $\overline{\text{RESET}}$ output holds logic high. Once either of the two drops below their threshold, $\overline{\text{RESET}}$ will be asserted.



Figure 3—Typical Application of MP6400 with Microprocessor

From the point that $\overline{\text{MR}}$ is again logic high and SENSE is above $V_{IT} + V_{HYS}$ (the threshold hysteresis), $\overline{\text{RESET}}$ will be driven to a logic high after a reset delay time. The reset delay time is programmable by C_{DELAY} pin. Due to the finite impedance of $\overline{\text{RESET}}$ pin, the pull up resistor should be bigger than 10k Ω .

Monitor a Voltage

The SENSE input pin is connected to the monitored system voltage directly or through a resistor network (on MP6400DJ-01). When the voltage on the pin is below V_{IT} , $\overline{\text{RESET}}$ is asserted. A threshold hysteresis will prevent the chip from responding perturbation on SENSE pin. A 1nF to 10nF bypass capacitor should be put on this pin to increase its immunity to noise. A typical application of the MP6400DJ-01 is shown in Figure 4. Two external resistors form a voltage divider from monitored voltage to GND. Its tap

connects to the SENSE pin. The circuit can be used to monitor any voltage higher than 0.4V.



Figure 4—MP6400DJ-01 Monitoring a User-Defined Voltage

Monitor Multiple System Voltages

The manual reset ($\overline{\text{MR}}$) can introduce another logic signal to control the $\overline{\text{RESET}}$. When MR is a logic low ($0.25V_{CC}$), $\overline{\text{RESET}}$ will be asserted. After both SENSE and $\overline{\text{MR}}$ are above their thresholds, $\overline{\text{RESET}}$ will be driven to a logic high after a reset delay time. The $\overline{\text{MR}}$ is internally connected to V_{CC} through a 90k Ω resistor so this pin can float. See how multiple system voltages are monitored by $\overline{\text{MR}}$ in Figure 5. If the signal on $\overline{\text{MR}}$ isn't up to V_{CC} , there will be an additional current through internal 90k Ω pull up resistor. A logic-level FET can be used to minimize the leakage, as shown in Figure 6.

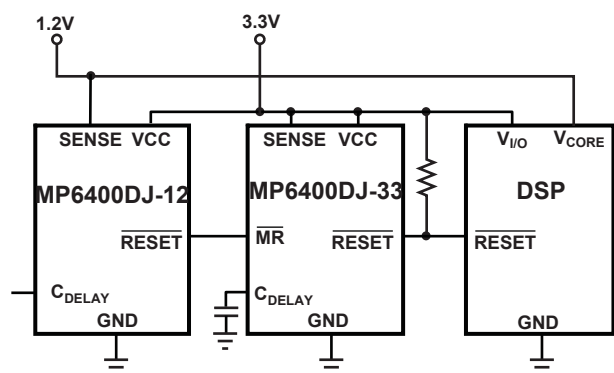


Figure 5—MP6400 Family Monitoring Multiple System Voltages



Figure 6—Minimizing I_{CC} When \overline{MR} Signal isn't over V_{CC} by External MOSFET

Programmable Reset Delay Time

The reset delay time can be programmed by C_{DELAY} configure. When C_{DELAY} is connected to VCC through a resistor between 50kΩ and 200kΩ, the delay time is 380ms. When C_{DELAY} floated, the delay time is 24ms. In addition, a capacitor connected C_{DELAY} to GND could be used to get the user's programmable delay time from 2.1ms to 10s. The three configures can be found in Figure 7(a)(b)(c).

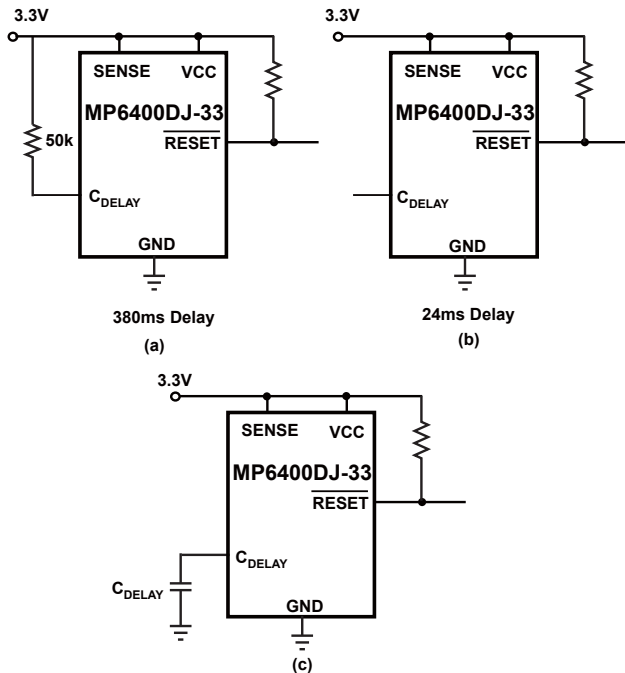


Figure 7—Programmable Configurations to the Reset Delay Time

The external capacitor C_{DELAY} must be larger than 150pF. For a given delay time, the capacitor value can be calculated using the following equation:

$$C_{DELAY} \text{ (nF)} = [t_D \text{ (s)} - 4.99 \times 10^{-4} \text{ (s)}] \times 107$$

The reset delay time is determined by the charge time of external capacitor. While SENSE is above V_{IT} and \overline{MR} is a logic high, the internal 140nA current source is enabled and starts to charge the capacitor to set the delay time. When the capacitor voltage rises to 1.13V, the \overline{RESET} is de-asserted. The capacitor will be discharged when the \overline{RESET} is again asserted. Stray capacitance may cause errors of the delay time. A ceramic capacitor with low leakage is strongly recommended.

SENSE Voltage Transients Immunity

The MP6400 can be immune to SENSE pin short negative transient. The maximum immune duration is 17us while overdrive is 5%. A shorter negative transient can not assert the \overline{RESET} output. The effective duration is relative to the threshold overdrive, as shown in Figure 8.

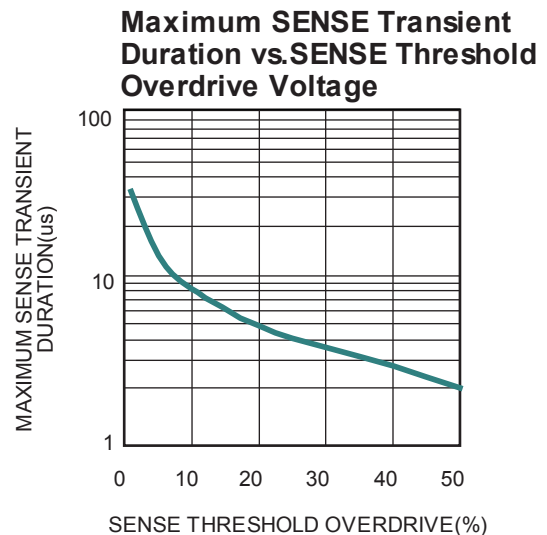
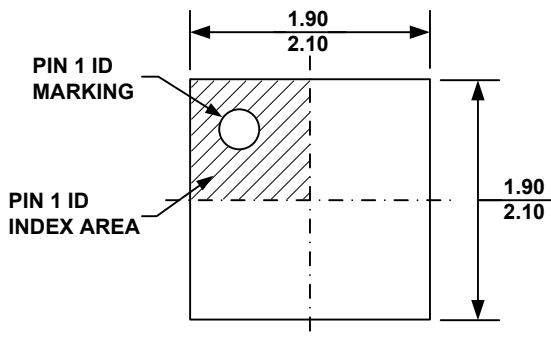


Figure 8—Maximum Transient Duration vs. Sense Threshold Overdrive Voltage

PACKAGE INFORMATION

QFN6 (2mm x 2mm)



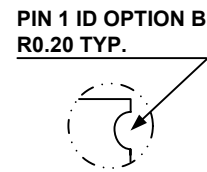
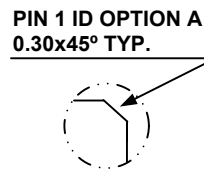
TOP VIEW



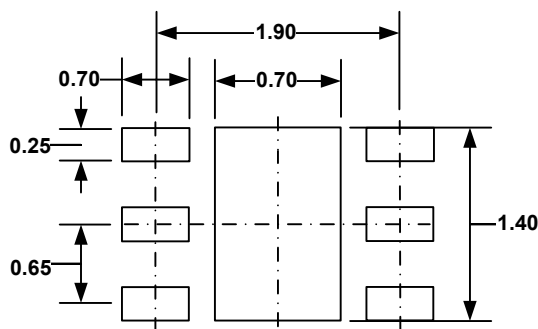
BOTTOM VIEW



SIDE VIEW



DETAIL A



RECOMMENDED LAND PATTERN

NOTE:

- 1) ALL DIMENSIONS ARE IN MILLIMETERS.
- 2) EXPOSED PADDLE SIZE DOES NOT INCLUDE MOLD FLASH.
- 3) LEAD COPLANARITY SHALL BE 0.10 MILLIMETER MAX.
- 4) JEDEC REFERENCE IS MO-229, VARIATION VCCC.
- 5) DRAWING IS NOT TO SCALE.

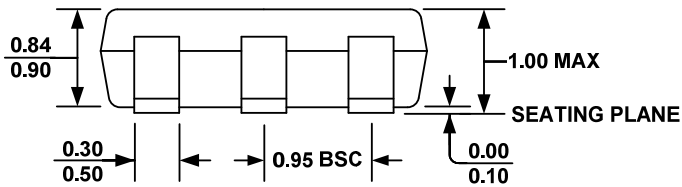
TSOT23-6



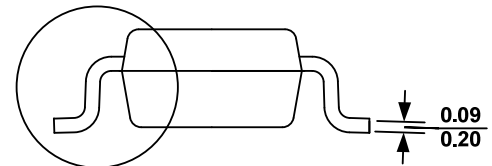
TOP VIEW



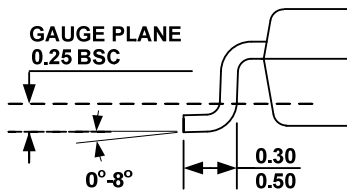
RECOMMENDED LAND PATTERN



FRONT VIEW



SIDE VIEW



DETAIL "A"

NOTE:

- 1) ALL DIMENSIONS ARE IN MILLIMETERS.
- 2) PACKAGE LENGTH DOES NOT INCLUDE MOLD FLASH, PROTRUSION OR GATE BURR.
- 3) PACKAGE WIDTH DOES NOT INCLUDE INTERLEAD FLASH OR PROTRUSION.
- 4) LEAD COPLANARITY (BOTTOM OF LEADS AFTER FORMING) SHALL BE 0.10 MILLIMETERS MAX.
- 5) DRAWING CONFORMS TO JEDEC MO-193, VARIATION AB.
- 6) DRAWING IS NOT TO SCALE.
- 7) PIN 1 IS LOWER LEFT PIN WHEN READING TOP MARK FROM LEFT TO RIGHT, (SEE EXAMPLE TOP MARK)

NOTICE: The information in this document is subject to change without notice. Users should warrant and guarantee that third party Intellectual Property rights are not infringed upon when integrating MPS products into any application. MPS will not assume any legal responsibility for any said applications.

Компания «Океан Электроники» предлагает заключение долгосрочных отношений при поставках импортных электронных компонентов на взаимовыгодных условиях!

Наши преимущества:

- Поставка оригинальных импортных электронных компонентов напрямую с производств Америки, Европы и Азии, а так же с крупнейших складов мира;
- Широкая линейка поставок активных и пассивных импортных электронных компонентов (более 30 млн. наименований);
- Поставка сложных, дефицитных, либо снятых с производства позиций;
- Оперативные сроки поставки под заказ (от 5 рабочих дней);
- Экспресс доставка в любую точку России;
- Помощь Конструкторского Отдела и консультации квалифицированных инженеров;
- Техническая поддержка проекта, помощь в подборе аналогов, поставка прототипов;
- Поставка электронных компонентов под контролем ВП;
- Система менеджмента качества сертифицирована по Международному стандарту ISO 9001;
- При необходимости вся продукция военного и аэрокосмического назначения проходит испытания и сертификацию в лаборатории (по согласованию с заказчиком);
- Поставка специализированных компонентов военного и аэрокосмического уровня качества (Xilinx, Altera, Analog Devices, Intersil, Interpoint, Microsemi, Actel, Aeroflex, Peregrine, VPT, Syfer, Eurofarad, Texas Instruments, MS Kennedy, Miteq, Cobham, E2V, MA-COM, Hittite, Mini-Circuits, General Dynamics и др.);

Компания «Океан Электроники» является официальным дистрибьютором и эксклюзивным представителем в России одного из крупнейших производителей разъемов военного и аэрокосмического назначения «JONHON», а так же официальным дистрибьютором и эксклюзивным представителем в России производителя высокотехнологичных и надежных решений для передачи СВЧ сигналов «FORSTAR».



JONHON

«JONHON» (основан в 1970 г.)

Разъемы специального, военного и аэрокосмического назначения:

(Применяются в военной, авиационной, аэрокосмической, морской, железнодорожной, горно- и нефтедобывающей отраслях промышленности)

«FORSTAR» (основан в 1998 г.)

ВЧ соединители, коаксиальные кабели, кабельные сборки и микроволновые компоненты:

(Применяются в телекоммуникациях гражданского и специального назначения, в средствах связи, РЛС, а так же военной, авиационной и аэрокосмической отраслях промышленности).



Телефон: 8 (812) 309-75-97 (многоканальный)

Факс: 8 (812) 320-03-32

Электронная почта: ocean@oceanchips.ru

Web: <http://oceanchips.ru/>

Адрес: 198099, г. Санкт-Петербург, ул. Калинина, д. 2, корп. 4, лит. А