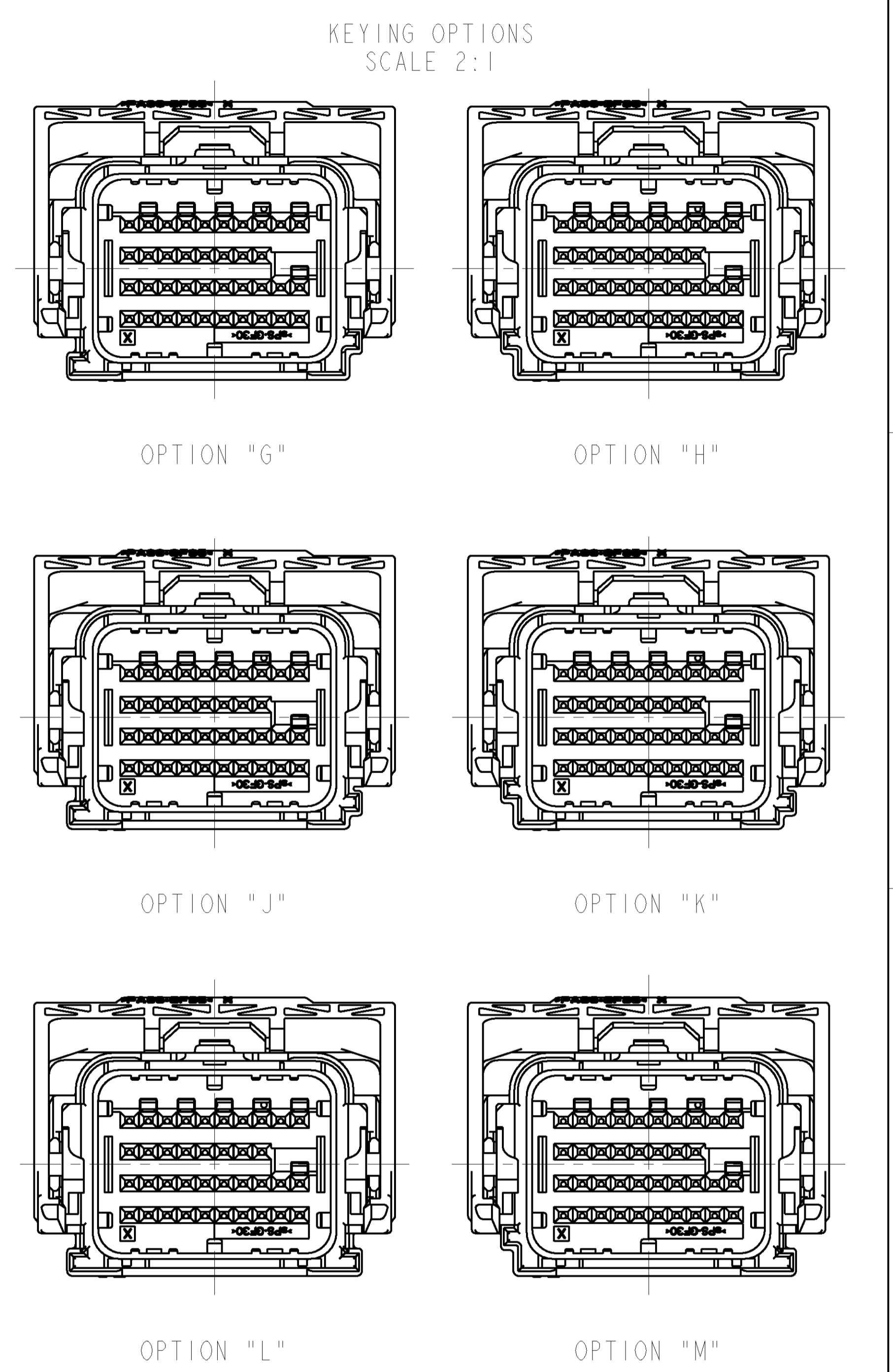
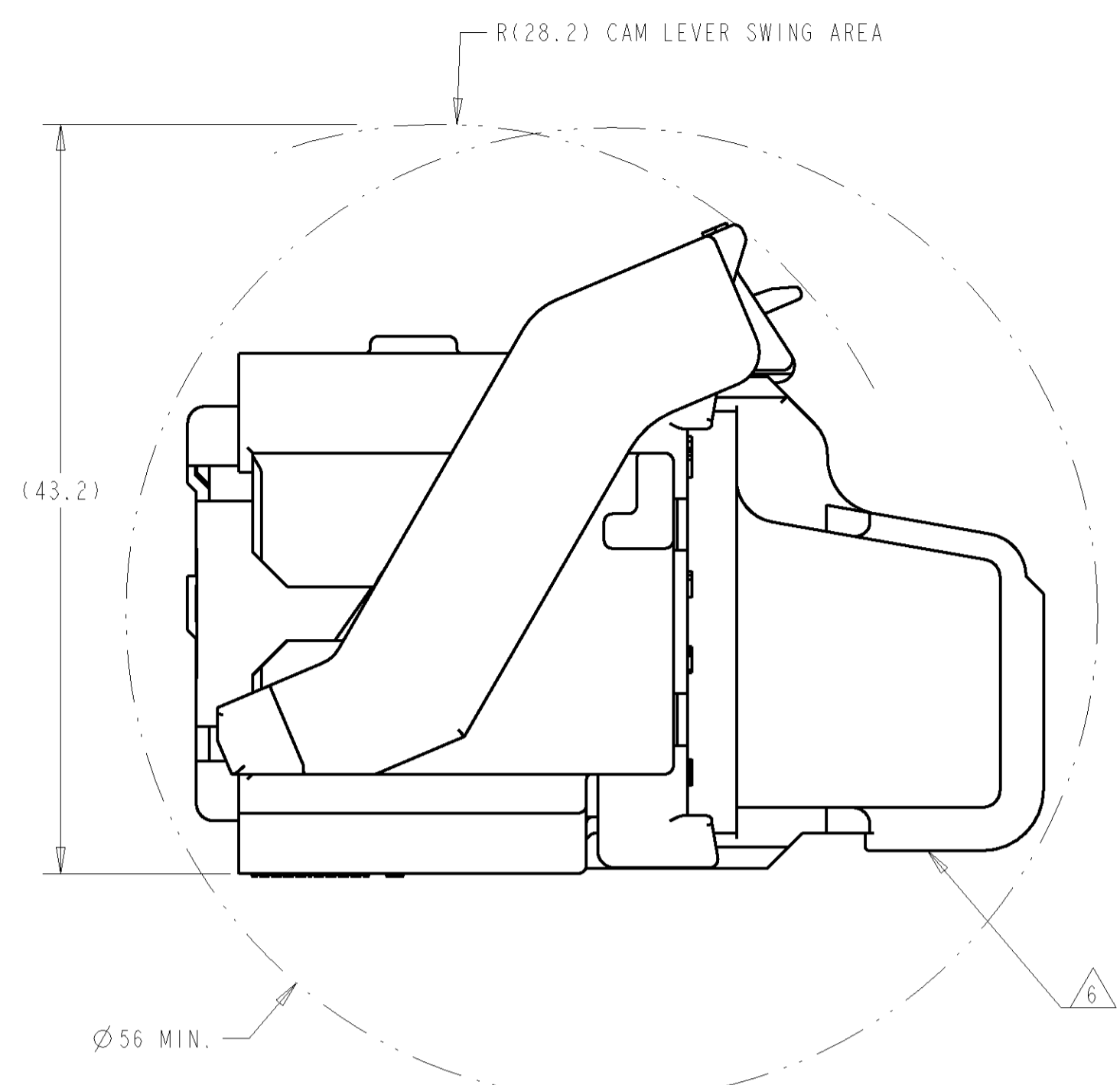
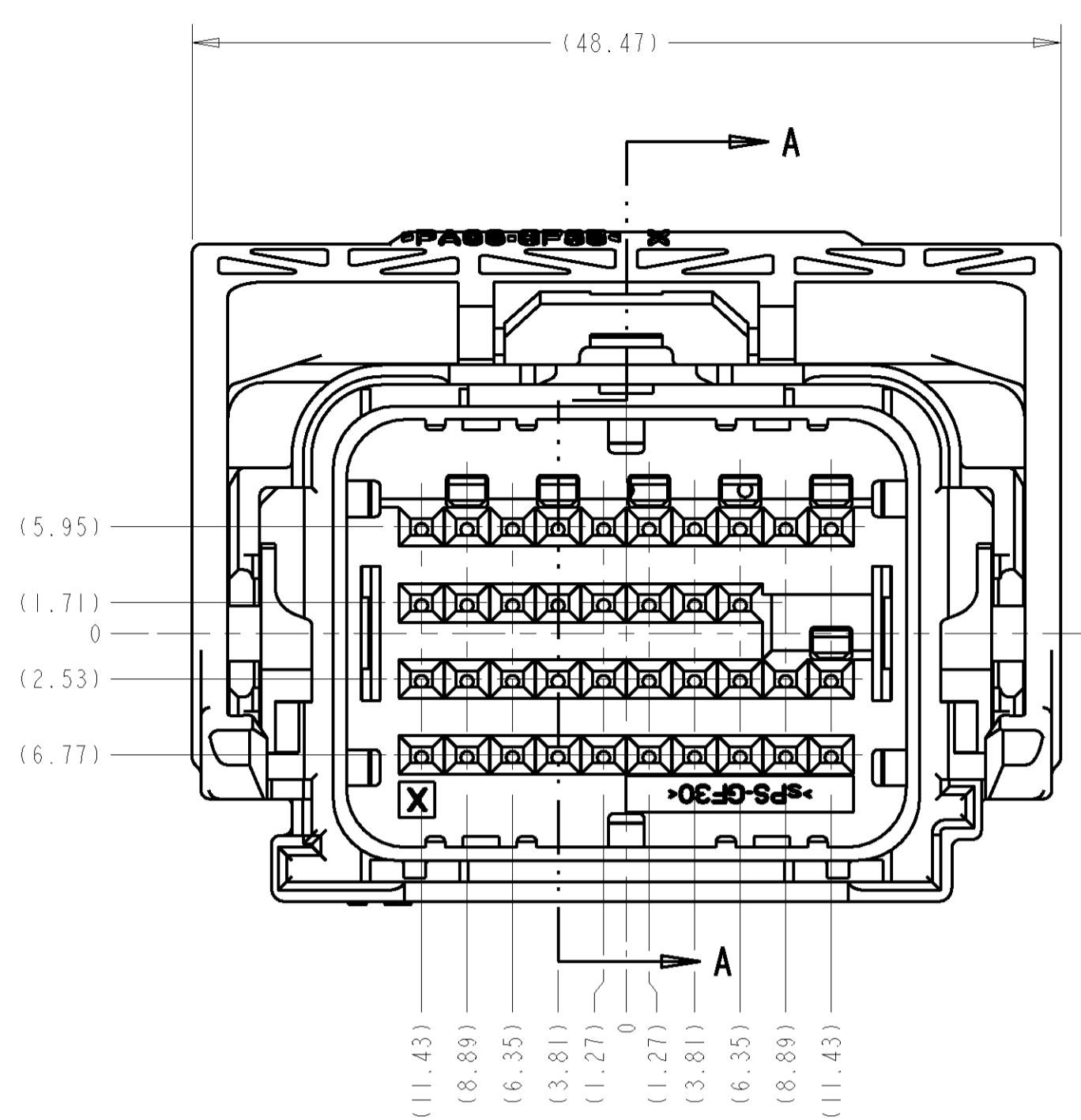
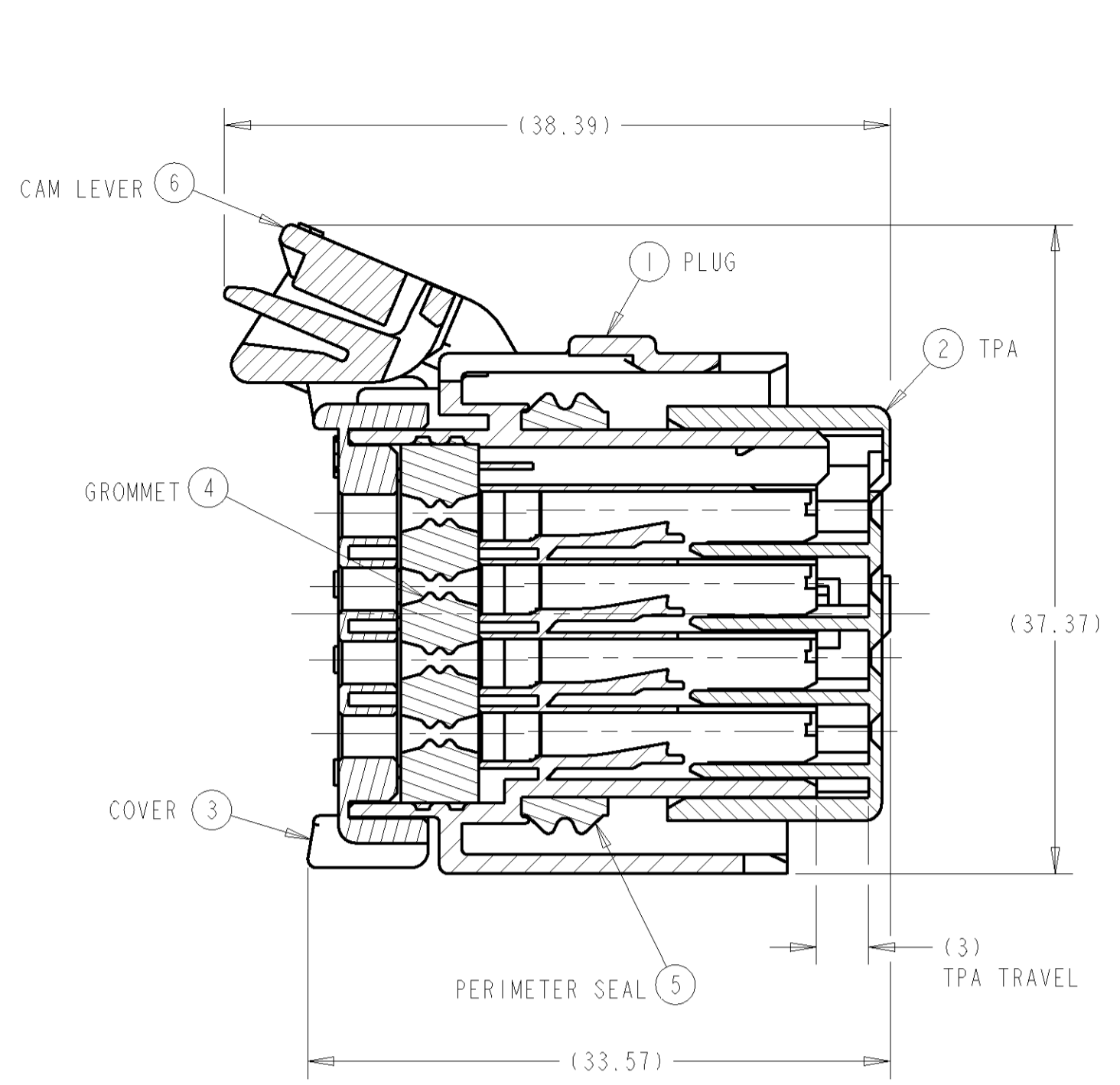
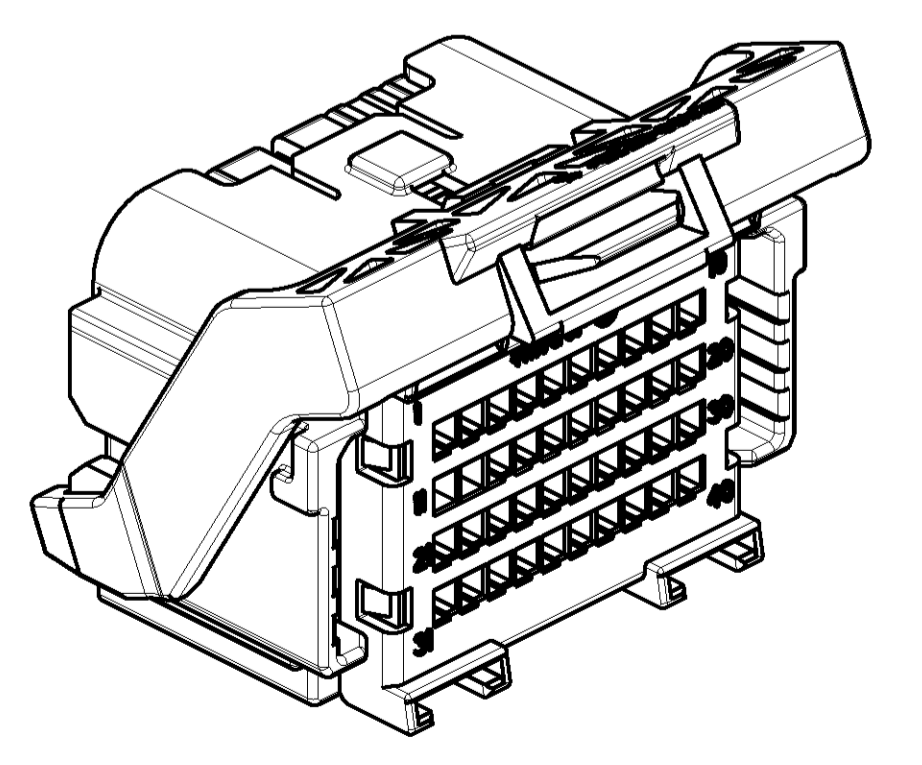
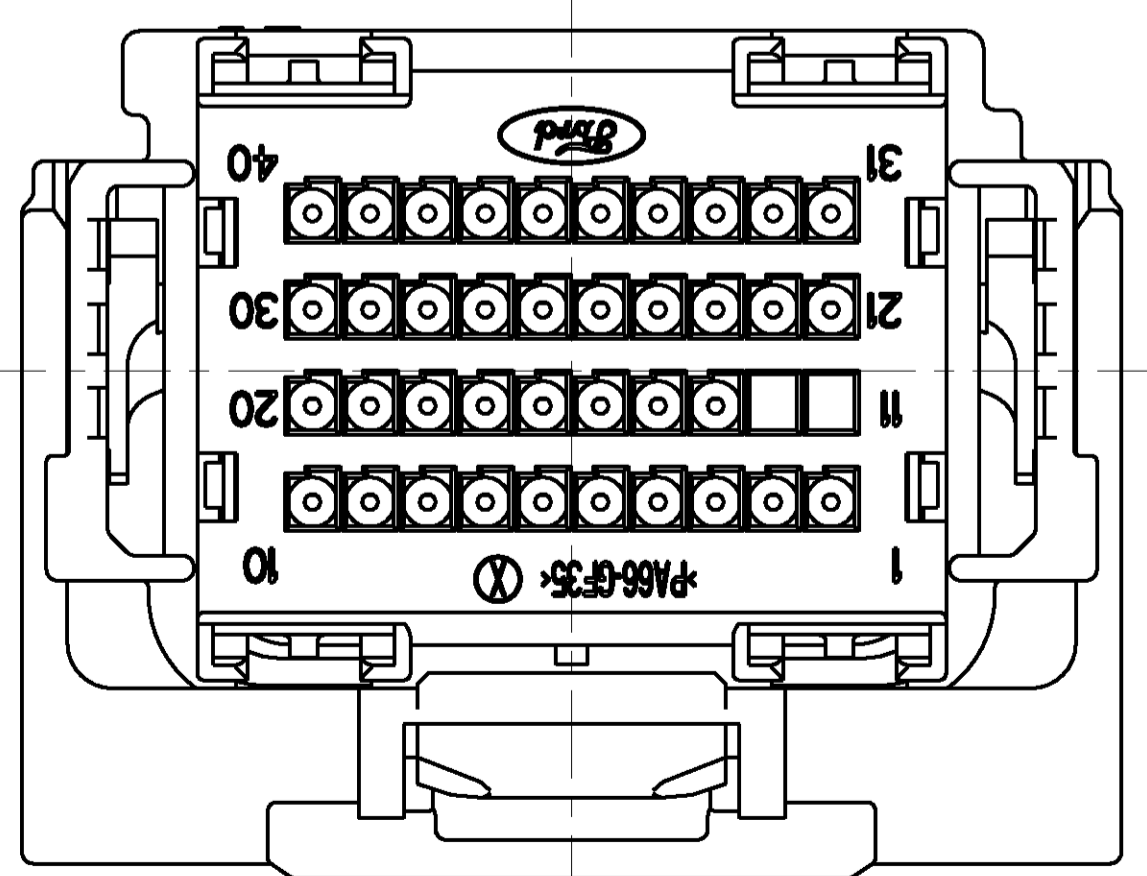
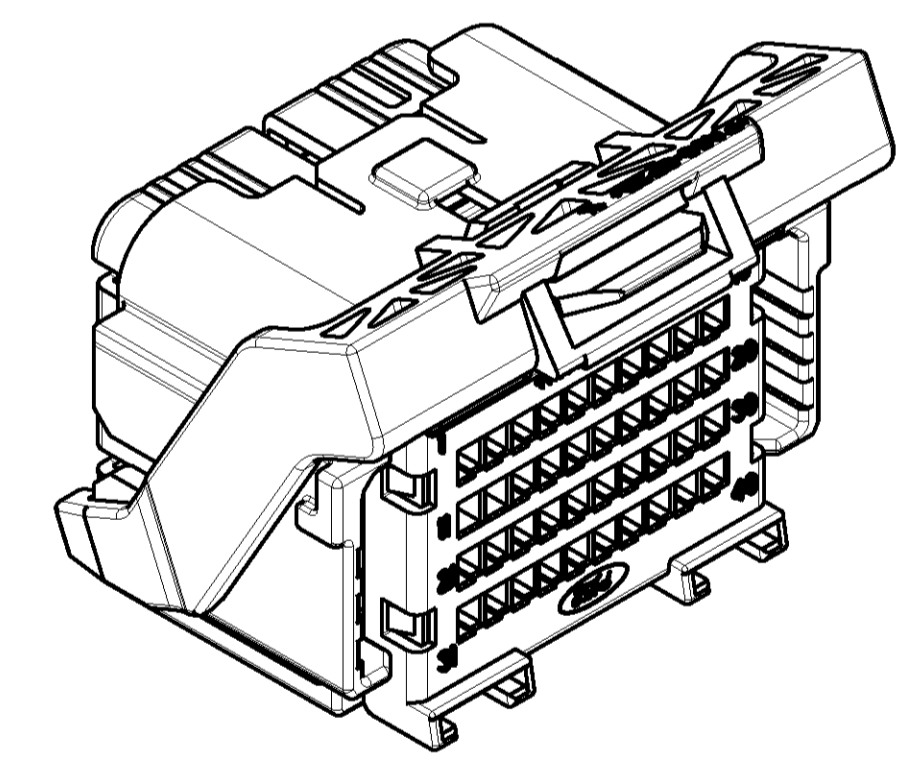
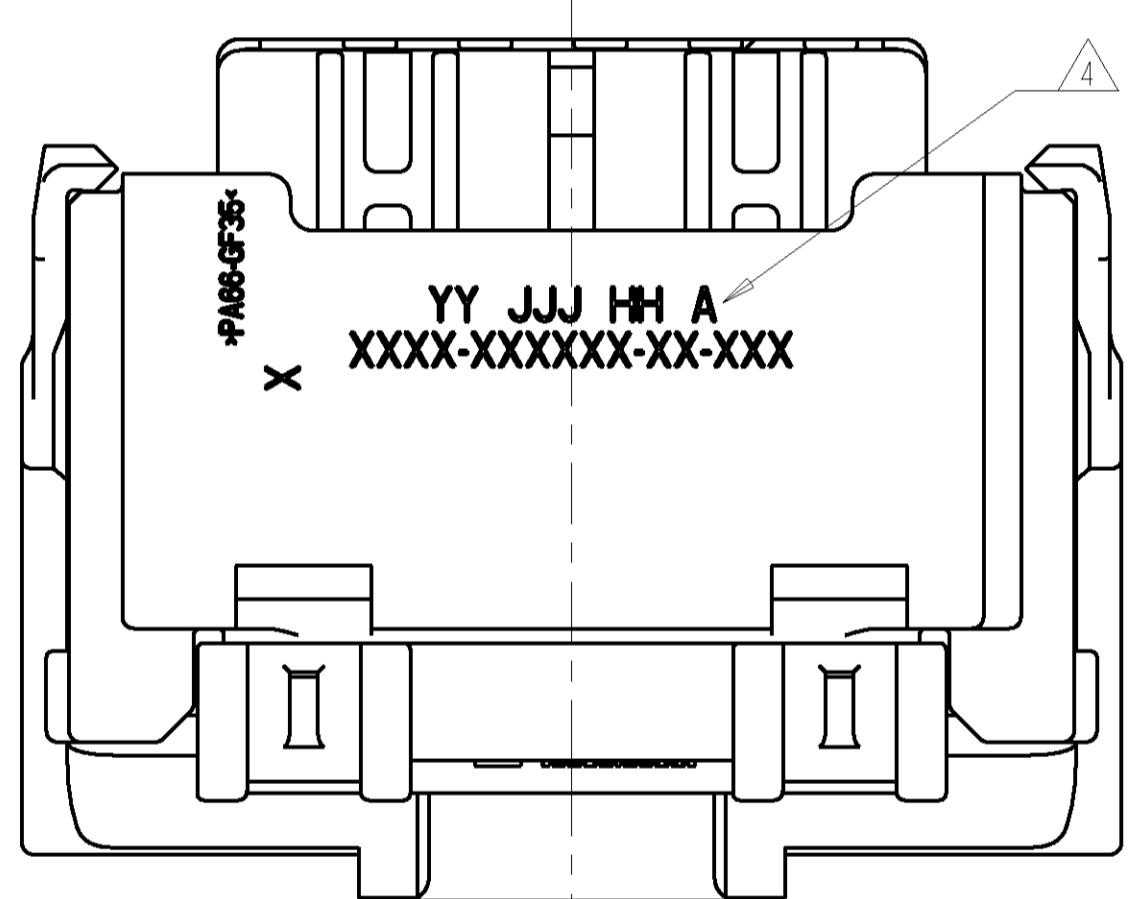
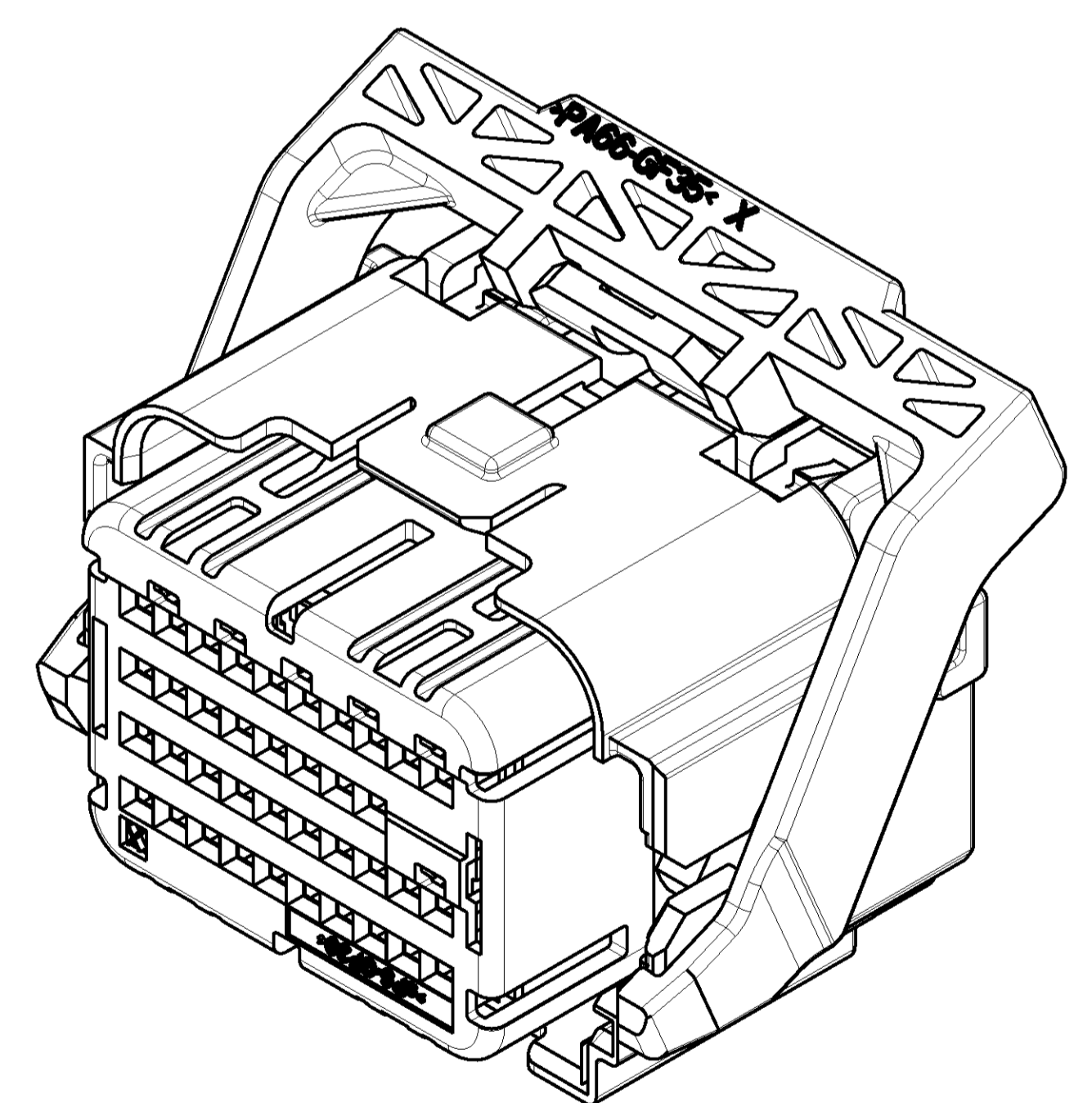


| REVISONS | | DATE | OWN | APVD |
|----------|-------------------------|-----------|-----|------|
| D | REVIS PER ECR 07-029132 | 07JAN2008 | DLD | WTW |
| E | REVIS PER ECR 07-030366 | 08JAN2008 | DLD | WTW |
| F | REVIS PER ECO 08-006962 | 19MAR2008 | DLD | WTW |



SECTION A-A
 SHOWN WITH CAM LEVER
 AND TPA IN THEIR
 PRE-LOADED POSITIONS
 (DELIVERY CONDITION)

MINIMUM FEED THROUGH CONDITION
 WITH 1mm CLEARANCE ALL AROUND
 SHOWN WITH OPTION WIRESHIELD
 TPA IS IN IT'S LOADED POSITION
 CAM LEVER IS IN IT'S PRE-LOADED POSITION



- NOTE(S):
- APPLICABLE TERMINAL PART NUMBERS (SOLD SEPARATELY):
 FOR TIN APPLICATIONS: 1393367 AND 1393366.
 FOR GOLD APPLICATIONS: 1393365 AND 1393364.
 FOR TERMINATION AND REELING OPTIONS
 SEE DRAWINGS 1393367, 1393366, 1393365, AND 1393364.
 - COMPATIBLE WIRE SIZES FOR MAT SEAL DESIGN 1.19 TO 2.06 O.D.
 (22-18 AWG, 0.35-0.75 mm²)
 - TPA AND CAM LEVER ARE SHIPPED IN THEIR PRE-LOADED POSITION.
 ALL ASSEMBLIES ARE TO BE TRAY PACKAGED.
 - CUSTOMER PART NUMBER AND TRACEABILITY CODE (YY = TWO DIGIT YEAR,
 JJJ = JULIAN DAY, HH = TWO DIGIT MILITARY HOUR, A=ASSEMBLY PROCESS
 USED) ARE PRINTED IN THIS LOCATION.
 - PART ASSEMBLY WEIGHT WITHOUT TERMINALS AND WITH STANDARD PIN-OUT
 CONFIGURATION IS 26.09 GRAMS.
 - OPTIONAL WIRESHIELD P/N 8-1419157-8 (SOLD SEPARATELY). PLEASE CONTACT
 YOUR TYCO ELECTRONICS SALES REPRESENTATIVE FOR AVAILABILITY AND PRICING.

| | | | | | | | |
|--------------------------------|------------|--|---------------|--------------------------|---------------|---|------------------|
| DIMENSIONS: | | TOLERANCES UNLESS OTHERWISE SPECIFIED: | | DRAWN: A. HOLT 14NOV2006 | | Tyco Electronics Harrisburg, PA 17105-3608 | |
| mm | 0 PLC ±0.3 | 1 PLC ±0.10 | 2-4 PLC ±0.15 | 5-6 PLC ±0.20 | 7-8 PLC ±0.25 | 9-10 PLC ±0.30 | 11-12 PLC ±0.35 |
| FINISH: | - | | | WEIGHT: SEE NOTE 5 | SIZE: 00779 | CAGE CODE: 1924170 | RESTRICTED TO: - |
| MATERIAL: SEE CHART ON SHEET 2 | - | | | CUSTOMER DRAWING | SCALE: 3:1 | SHEET: 1 OF 5 | REV: F |

KEYING OPTION "G" SHOWN
 SEE SHEET 2 FOR BILL OF MATERIALS
 AND SHEET 3, 4 AND 5 FOR PIN-OUT CHARTS

| LOC | DIST | REVISIONS | | | |
|-----|------|-----------|-------------|----|------|
| | | REV | DATE | BY | APPV |
| FX | 00 | - | SEE SHEET 1 | - | - |

| ITEM | DESCRIPTION | MATERIAL | FINISH/COLOR |
|------|--|-------------|--------------|
| 6 | CAM LEVER | PA66 35% GF | GRAY |
| 6 | CAM LEVER WITH MODIFIED TAB | PA66 35% GF | GRAY |
| 5 | PERIMETER SEAL | SILICONE | GREEN |
| 4 | GROMMET | SILICONE | BROWN |
| 3 | COVER | PA66 35% GF | BLACK |
| 2 | TPA FOR SHORTING BAR APPLICATIONS | sPS 30% GF | NATURAL |
| 1 | PLUG WITH KEYING OPTION "H" AND 6 SHORTING BAR POSITIONS CONFIGURATION | PA66 35% GF | BLACK |
| 1 | PLUG WITH KEYING OPTION "G" AND 6 SHORTING BAR POSITIONS CONFIGURATION | PA66 35% GF | BLACK |

| ITEM | DESCRIPTION | MATERIAL | FINISH/COLOR |
|------|--|-------------|--------------|
| 6 | CAM LEVER | PA66 35% GF | GRAY |
| 6 | CAM LEVER WITH MODIFIED TAB | PA66 35% GF | GRAY |
| 5 | PERIMETER SEAL | SILICONE | GREEN |
| 4 | GROMMET | SILICONE | BROWN |
| 3 | COVER | PA66 35% GF | BLACK |
| 2 | TPA FOR SHORTING BAR APPLICATIONS | sPS 30% GF | NATURAL |
| 1 | PLUG WITH KEYING OPTION "H" AND 6 SHORTING BAR POSITIONS CONFIGURATION | PA66 35% GF | BLACK |
| 1 | PLUG WITH KEYING OPTION "G" AND 6 SHORTING BAR POSITIONS CONFIGURATION | PA66 35% GF | BLACK |

| ITEM | DESCRIPTION | MATERIAL | FINISH/COLOR |
|------|--|-------------|--------------|
| 6 | CAM LEVER | PA66 35% GF | GRAY |
| 6 | CAM LEVER WITH MODIFIED TAB | PA66 35% GF | GRAY |
| 5 | PERIMETER SEAL | SILICONE | GREEN |
| 4 | GROMMET | SILICONE | BROWN |
| 3 | COVER | PA66 35% GF | BLACK |
| 2 | TPA FOR SHORTING BAR APPLICATIONS | sPS 30% GF | NATURAL |
| 1 | PLUG WITH KEYING OPTION "H" AND 6 SHORTING BAR POSITIONS CONFIGURATION | PA66 35% GF | BLACK |
| 1 | PLUG WITH KEYING OPTION "G" AND 6 SHORTING BAR POSITIONS CONFIGURATION | PA66 35% GF | BLACK |

| ITEM | DESCRIPTION | MATERIAL | FINISH/COLOR |
|------|--|-------------|--------------|
| 6 | CAM LEVER | PA66 35% GF | GRAY |
| 6 | CAM LEVER WITH MODIFIED TAB | PA66 35% GF | GRAY |
| 5 | PERIMETER SEAL | SILICONE | GREEN |
| 4 | GROMMET | SILICONE | BROWN |
| 3 | COVER | PA66 35% GF | BLACK |
| 2 | TPA FOR SHORTING BAR APPLICATIONS | sPS 30% GF | NATURAL |
| 1 | PLUG WITH KEYING OPTION "H" AND 6 SHORTING BAR POSITIONS CONFIGURATION | PA66 35% GF | BLACK |
| 1 | PLUG WITH KEYING OPTION "G" AND 6 SHORTING BAR POSITIONS CONFIGURATION | PA66 35% GF | BLACK |

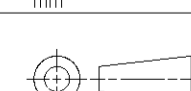
| ITEM | DESCRIPTION | MATERIAL | FINISH/COLOR |
|------|--|-------------|--------------|
| 6 | CAM LEVER | PA66 35% GF | GRAY |
| 6 | CAM LEVER WITH MODIFIED TAB | PA66 35% GF | GRAY |
| 5 | PERIMETER SEAL | SILICONE | GREEN |
| 4 | GROMMET | SILICONE | BROWN |
| 3 | COVER | PA66 35% GF | BLACK |
| 2 | TPA FOR SHORTING BAR APPLICATIONS | sPS 30% GF | NATURAL |
| 1 | PLUG WITH KEYING OPTION "H" AND 6 SHORTING BAR POSITIONS CONFIGURATION | PA66 35% GF | BLACK |
| 1 | PLUG WITH KEYING OPTION "G" AND 6 SHORTING BAR POSITIONS CONFIGURATION | PA66 35% GF | BLACK |

| ITEM | DESCRIPTION | MATERIAL | FINISH/COLOR |
|------|--|-------------|--------------|
| 6 | CAM LEVER | PA66 35% GF | GRAY |
| 6 | CAM LEVER WITH MODIFIED TAB | PA66 35% GF | GRAY |
| 5 | PERIMETER SEAL | SILICONE | GREEN |
| 4 | GROMMET | SILICONE | BROWN |
| 3 | COVER | PA66 35% GF | BLACK |
| 2 | TPA FOR SHORTING BAR APPLICATIONS | sPS 30% GF | NATURAL |
| 1 | PLUG WITH KEYING OPTION "H" AND 6 SHORTING BAR POSITIONS CONFIGURATION | PA66 35% GF | BLACK |
| 1 | PLUG WITH KEYING OPTION "G" AND 6 SHORTING BAR POSITIONS CONFIGURATION | PA66 35% GF | BLACK |

| | | | | | | | |
|-----------------------|--|--|--|--|--|---|--|
| DIMENSIONS: mm | | TOLERANCES UNLESS OTHERWISE SPECIFIED: 0 PLC #+ 1 PLC #+0.3 2 PLC #+0.10 3 PLC #+ 4 PLC #+ ANGLES #+ | | DWN A. HOLT 14NOV2006 CHK W. WELLSKY 14NOV2006 APVD W. WELLSKY 14NOV2006 NAME PRODUCT SPEC APPLICATION SPEC WEIGHT CUSTOMER DRAWING | | Tyco Electronics Harrisburg, PA 17105-3608 40 WAY SHORTING BAR ARM PLUG ASSEMBLY WITHOUT SHORTING BARS LOADED SIZE CASE CODE DRAWING NO A1 00779 C=1924170 SHEET 2 OF 5 REV F | |
|-----------------------|--|--|--|--|--|---|--|

| LOC | QTY | REV | DATE | BY | APPV |
|-----|-----|-----|------|----|------|
| FX | 00 | | | | |

| PIN OUT CHART | | | | | | | | | | | | | | | | | | | | | | | | | | | | | | | | | | | | | | | | ASSEMBLY PART NUMBER | KEYING OPTION | | | | | | |
|--|---|---|---|---|---|---|---|---|----|----|----|----|----|----|----|----|----|----|----|----|----|----|----|----|----|----|----|----|----|----|----|----|----|----|----|----|----|----|----|----------------------|---------------|-------------|-------------|-------------|-------------|-------------|---|
| BLANK CAVITIES INDICATE OPEN TERMINAL HOLE POSITIONS | | | | | | | | | | | | | | | | | | | | | | | | | | | | | | | | | | | | | | | | | | | | | | | |
| CAVITIES WITH A NUMERIC SYMBOL INDICATE CLOSED TERMINAL HOLE POSITIONS | | | | | | | | | | | | | | | | | | | | | | | | | | | | | | | | | | | | | | | | | | | | | | | |
| TERMINAL HOLE POSITION | | | | | | | | | | | | | | | | | | | | | | | | | | | | | | | | | | | | | | | | ASSEMBLY PART NUMBER | KEYING OPTION | | | | | | |
| 1 | 2 | 3 | 4 | 5 | 6 | 7 | 8 | 9 | 10 | 11 | 12 | 13 | 14 | 15 | 16 | 17 | 18 | 19 | 20 | 21 | 22 | 23 | 24 | 25 | 26 | 27 | 28 | 29 | 30 | 31 | 32 | 33 | 34 | 35 | 36 | 37 | 38 | 39 | 40 | | | | | | | | |
| | | | | 5 | 6 | 7 | 8 | 9 | 10 | 11 | 12 | 13 | 14 | 15 | 16 | | | | | | | | 24 | | | 27 | 28 | 29 | 30 | | | | | | | | 37 | 37 | 39 | 40 | 6-1924170-6 | G | | | | | |
| | | | 3 | 4 | 5 | 6 | 7 | 8 | 9 | 10 | 11 | 12 | 13 | 14 | 15 | 16 | 17 | 18 | | | | | 23 | 24 | | 26 | | | | | | | | | | 35 | 36 | 37 | 37 | 39 | 40 | 6-1924170-7 | G | | | | |
| | | | 3 | 4 | 5 | 6 | 7 | 8 | 9 | 10 | 11 | 12 | 13 | 14 | 15 | 16 | | | | | | | 24 | | | 27 | 28 | 29 | 30 | | | | | | | 35 | 36 | 37 | 37 | 39 | 40 | 6-1924170-8 | G | | | | |
| | | | 3 | 4 | 5 | 6 | 7 | 8 | 9 | 10 | 11 | 12 | 13 | 14 | 15 | 16 | | | | | | | 24 | | | 27 | 28 | 29 | 30 | | | | | | | 35 | 36 | 37 | 37 | 39 | 40 | 6-1924170-9 | G | | | | |
| 1 | 2 | | | 5 | 6 | 7 | 8 | 9 | 10 | 11 | 12 | 13 | 14 | 15 | 16 | | | | | | 21 | 22 | | 24 | | | 27 | 28 | 29 | 30 | | | | | | | | 37 | 38 | 39 | 40 | 7-1924170-0 | G | | | | |
| | | | | 5 | 6 | 7 | 8 | 9 | 10 | 11 | 12 | 13 | 14 | 15 | 16 | | | | | | | | 24 | | | 27 | 28 | 29 | 30 | | | | | | | | 35 | 36 | 37 | 38 | 39 | 40 | 7-1924170-1 | G | | | |
| 1 | 2 | | | | | 7 | 8 | 9 | 10 | 11 | 12 | 13 | 14 | 15 | 16 | | | | | | 21 | 22 | | 24 | | | 27 | 28 | 29 | 30 | | | | | | | 35 | 36 | 37 | 38 | 39 | 40 | 7-1924170-2 | G | | | |
| 1 | 2 | | | | | 7 | 8 | 9 | 10 | 11 | 12 | 13 | 14 | 15 | 16 | | | | | 21 | 22 | | 24 | | | 27 | 28 | 29 | 30 | | | | | | | 35 | 36 | 37 | 38 | 39 | 40 | 7-1924170-3 | G | | | | |
| | | | | | | | | | | 11 | 12 | | | | | | | | | | | | | | | | | | | | | | | | | | | | | | | | 7-1924170-4 | G | | | |
| 1 | 2 | | | | | | | | | 11 | 12 | 13 | 14 | 15 | 16 | | | | | | | | | | | | | | | | | | | | | | | | | | | | 7-1924170-5 | G | | | |
| | | | | | | | | | | 11 | 12 | | | | | | | | | 19 | 20 | | | 24 | | | | | | | | | | | | | | | 32 | | | 37 | 38 | 39 | 40 | 7-1924170-6 | G |
| | | | | | | | | | | 11 | 12 | | | | | | | | | 19 | 20 | | | 24 | | | | | | | | | | | | | | | | | | | | 7-1924170-7 | G | | |
| | | | | | | | | | | 11 | 12 | | | | | | | | | 19 | 20 | | | 24 | | | | | | | | | | | | | | | | | | | | 7-1924170-8 | G | | |
| | | | | | | | 7 | 8 | 9 | 10 | 11 | 12 | | | | | | | | 19 | 20 | | | 24 | | | | | | | | | | | | | | | | | | | | 7-1924170-9 | G | | |
| | | | | | | | 7 | 8 | 9 | 10 | 11 | 12 | | | | | | | | 19 | 20 | | | 24 | | | | | | | | | | | | | | | | | | | | 8-1924170-0 | G | | |
| | | | | | | | 7 | 8 | 9 | 10 | 11 | 12 | | | | | | | | | | | | | | | | | | | | | | | | | | | | | | | | 8-1924170-1 | G | | |
| | | | | | | | | | | 9 | 10 | 11 | 12 | | | | | | | | | | | | | | | | | | | | | | | | | | | | | | | | 8-1924170-2 | G | |
| | | | | | | | | | | | | | | | | | | | | | | | | | | | | | | | | | | | | | | | | | | | | 8-1924170-3 | G | | |
| | | | | | | | | | | | | | | | | | | | | | | | | | | | | | | | | | | | | | | | | | | | | 8-1924170-4 | G | | |
| | | | | | | | | | | | | | | | | | | | | | | | | | | | | | | | | | | | | | | | | | | | | 8-1924170-5 | G | | |
| | | | | | | | | | | | | | | | | | | | | | | | | | | | | | | | | | | | | | | | | | | | | 8-1924170-6 | G | | |
| 1 | 2 | | | | | | | | | | | | | | | | | | | | | | | | | | | | | | | | | | | | | | | | | | | 8-1924170-7 | G | | |
| 1 | 2 | | | | | | | | | | | | | | | | | | | | | | | | | | | | | | | | | | | | | | | | | | | 8-1924170-8 | G | | |
| 1 | 2 | | | | | | | | | | | | | | | | | | | | | | | | | | | | | | | | | | | | | | | | | | | 8-1924170-9 | G | | |
| 1 | 2 | 3 | 4 | | | | | | | | | | | | | | | | | | | | | | | | | | | | | | | | | | | | | | | | | 9-1924170-0 | G | | |
| 1 | 2 | 3 | 4 | 5 | 6 | 7 | 8 | 9 | 10 | 11 | 12 | 13 | 14 | 15 | 16 | | | | | | | | | | | | | | | | | | | | | | | | | | | | | 9-1924170-1 | G | | |
| | | | | | | | | | | | | | | | | | | | | | | | | | | | | | | | | | | | | | | | | | | | | | 9-1924170-2 | G | |
| | | | | | | | | | | | | | | | | | | | | | | | | | | | | | | | | | | | | | | | | | | | | | 9-1924170-3 | G | |
| | | | | | | | | | | | | | | | | | | | | | | | | | | | | | | | | | | | | | | | | | | | | | 9-1924170-4 | G | |
| | | | | | | | | | | | | | | | | | | | | | | | | | | | | | | | | | | | | | | | | | | | | | 9-1924170-5 | G | |
| 1 | 2 | 3 | 4 | 5 | 6 | 7 | 8 | 9 | 10 | 11 | 12 | 13 | 14 | 15 | 16 | | | | | | | | | | | | | | | | | | | | | | | | | | | | | 9-1924170-6 | G | | |
| | | | | | | | | | | | | | | | | | | | | | | | | | | | | | | | | | | | | | | | | | | | | | 9-1924170-7 | G | |
| | | | | | | | | | | | | | | | | | | | | | | | | | | | | | | | | | | | | | | | | | | | | | 9-1924170-8 | G | |
| | | | | | | | | | | | | | | | | | | | | | | | | | | | | | | | | | | | | | | | | | | | | | 9-1924170-9 | G | |
| | | | | | | | | | | | | | | | | | | | | | | | | | | | | | | | | | | | | | | | | | | | | | | 0-1924171-1 | G |
| | | | | | | | | | | | | | | | | | | | | | | | | | | | | | | | | | | | | | | | | | | | | | 0-1924171-2 | G | |
| | | | | | | | | | | | | | | | | | | | | | | | | | | | | | | | | | | | | | | | | | | | | | 0-1924171-3 | G | |
| | | | | | | | | | | | | | | | | | | | | | | | | | | | | | | | | | | | | | | | | | | | | | 0-1924171-4 | G | |
| | | | | | | | | | | | | | | | | | | | | | | | | | | | | | | | | | | | | | | | | | | | | | 0-1924171-5 | G | |
| 1 | 2 | 3 | 4 | 5 | 6 | 7 | 8 | 9 | 10 | 11 | 12 | 13 | 14 | 15 | 16 | | | | | | | | | | | | | | | | | | | | | | | | | | | | | 0-1924171-6 | G | | |
| | | | | | | | | | | | | | | | | | | | | | | | | | | | | | | | | | | | | | | | | | | | | | 0-1924171-7 | G | |
| | | | | | | | | | | | | | | | | | | | | | | | | | | | | | | | | | | | | | | | | | | | | | 0-1924171-8 | G | |
| 1 | 2 | 3 | 4 | 5 | 6 | 7 | 8 | 9 | 10 | 11 | 12 | 13 | 14 | 15 | 16 | | | | | | | | | | | | | | | | | | | | | | | | | | | | | 0-1924171-9 | G | | |
| 1 | 2 | 3 | 4 | 5 | 6 | 7 | 8 | 9 | 10 | 11 | 12 | 13 | 14 | 15 | 16 | | | | | | | | | | | | | | | | | | | | | | | | | | | | | | 1-1924171-0 | G | |

| | | | | | | | |
|--|--|--|--|--|--|--|--|
| DIMENSIONS: mm  | | TOLERANCES UNLESS OTHERWISE SPECIFIED: 0 PLC ±0.3 1 PLC ±0.10 2 PLC ±0.10 3 PLC ±0.10 4 PLC ±0.10 ANGLES ±0.5° FINISH - | | DWN A. HOLT 14NOV2006 CHK W. WELLINSKY 14NOV2006 APVD W. WELLINSKY 14NOV2006 | | Tyco Electronics Harrisburg, PA 17105-3608 | |
| MATERIAL SEE CHART ON SHEET 2 | | WEIGHT - | | SIZE CASE CODE DRAWING NO A 00779 C=1924170 | | RESTRICTED TO CUSTOMER DRAWING SCALE 3:1 SHEET 4 OF 5 REV F | |

Компания «Океан Электроники» предлагает заключение долгосрочных отношений при поставках импортных электронных компонентов на взаимовыгодных условиях!

Наши преимущества:

- Поставка оригинальных импортных электронных компонентов напрямую с производств Америки, Европы и Азии, а так же с крупнейших складов мира;
- Широкая линейка поставок активных и пассивных импортных электронных компонентов (более 30 млн. наименований);
- Поставка сложных, дефицитных, либо снятых с производства позиций;
- Оперативные сроки поставки под заказ (от 5 рабочих дней);
- Экспресс доставка в любую точку России;
- Помощь Конструкторского Отдела и консультации квалифицированных инженеров;
- Техническая поддержка проекта, помощь в подборе аналогов, поставка прототипов;
- Поставка электронных компонентов под контролем ВП;
- Система менеджмента качества сертифицирована по Международному стандарту ISO 9001;
- При необходимости вся продукция военного и аэрокосмического назначения проходит испытания и сертификацию в лаборатории (по согласованию с заказчиком);
- Поставка специализированных компонентов военного и аэрокосмического уровня качества (Xilinx, Altera, Analog Devices, Intersil, Interpoint, Microsemi, Actel, Aeroflex, Peregrine, VPT, Syfer, Eurofarad, Texas Instruments, MS Kennedy, Miteq, Cobham, E2V, MA-COM, Hittite, Mini-Circuits, General Dynamics и др.);

Компания «Океан Электроники» является официальным дистрибьютором и эксклюзивным представителем в России одного из крупнейших производителей разъемов военного и аэрокосмического назначения «**JONHON**», а так же официальным дистрибьютором и эксклюзивным представителем в России производителя высокотехнологичных и надежных решений для передачи СВЧ сигналов «**FORSTAR**».



JONHON

«**JONHON**» (основан в 1970 г.)

Разъемы специального, военного и аэрокосмического назначения:

(Применяются в военной, авиационной, аэрокосмической, морской, железнодорожной, горно- и нефтедобывающей отраслях промышленности)

«**FORSTAR**» (основан в 1998 г.)

ВЧ соединители, коаксиальные кабели,
кабельные сборки и микроволновые компоненты:

(Применяются в телекоммуникациях гражданского и специального назначения, в средствах связи, РЛС, а так же военной, авиационной и аэрокосмической отраслях промышленности).



Телефон: 8 (812) 309-75-97 (многоканальный)

Факс: 8 (812) 320-03-32

Электронная почта: ocean@oceanchips.ru

Web: <http://oceanchips.ru/>

Адрес: 198099, г. Санкт-Петербург, ул. Калинина, д. 2, корп. 4, лит. А