

MAX703/MAX704

Low-Cost Microprocessor Supervisory Circuits with Battery Backup

General Description

The MAX703/MAX704 microprocessor (μ P) supervisory circuits reduce the complexity and number of components required for power-supply monitoring and battery control functions in μ P systems. These devices significantly improve system reliability and accuracy compared to that obtained with separate ICs or discrete components.

The MAX703/MAX704 are available in 8-pin DIP and SO packages and provide four functions:

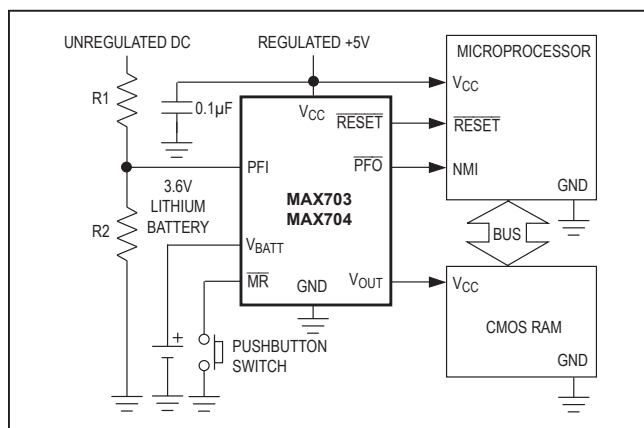
- 1) An active-low reset during power-up, power-down, and brownout conditions.
- 2) Battery-backup switching for CMOS RAM, CMOS μ Ps, or other low-power logic circuitry.
- 3) A 1.25V threshold detector for power-fail warning, low-battery detection, or for monitoring a power supply other than +5V.
- 4) An active-low manual reset input.

The MAX703 and MAX704 differ only in their supply-voltage monitor levels. The MAX703 generates a reset when the supply drops below 4.65V, while the MAX704 generates a reset below 4.40V.

Applications

- Computers
- Controllers
- Intelligent Instruments
- Critical μ P Power Monitoring

Typical Operating Circuit



Features

- Battery-Backup Power Switching
- Precision Supply-Voltage Monitor
 - 4.65V (MAX703)
 - 4.40V (MAX704)
- 200ms Reset Pulse Width
- Debounced TTL/CMOS-Compatible Manual Reset Input
- 200 μ A Quiescent Current
- 50nA Quiescent Current in Battery-Backup Mode
- Voltage Monitor for Power-Fail or Low-Battery Warning
- 8-Pin DIP and SO Packages
- Guaranteed $\overline{\text{RESET}}$ Assertion to $V_{CC} = 1V$

Ordering Information

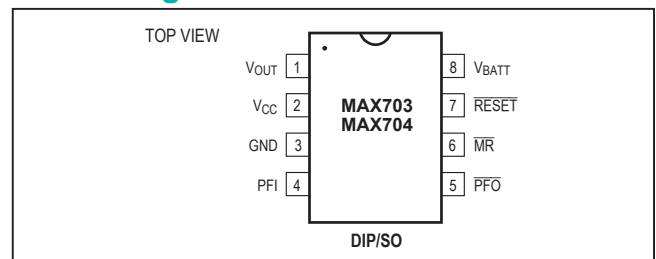
| PART | TEMP RANGE | PIN-PACKAGE |
|-----------|-----------------|-------------|
| MAX703C/D | 0°C to +70°C | Dice* |
| MAX703CPA | 0°C to +70°C | 8 PDIP |
| MAX703CSA | 0°C to +70°C | 8 SO |
| MAX703EPA | -40°C to +85°C | 8 PDIP |
| MAX703ESA | -40°C to +85°C | 8 SO |
| MAX703MJA | -55°C to +125°C | 8 CERDIP** |
| MAX704C/D | 0°C to +70°C | Dice* |
| MAX704CPA | 0°C to +70°C | 8 PDIP |
| MAX704CSA | 0°C to +70°C | 8 SO |
| MAX704EPA | -40°C to +85°C | 8 PDIP |
| MAX704ESA | -40°C to +85°C | 8 SO |
| MAX704MJA | -55°C to +125°C | 8 CERDIP** |

*Dice are tested at $T_A = +25^\circ\text{C}$ only.

**Contact factory for availability and processing to MIL-STD-883.

Devices in PDIP and SO packages are available in both leaded and lead(Pb)-free packaging. Specify lead(Pb)-free by adding the "+" symbol at the end of the part number when ordering. Lead(Pb)-free not available for CERDIP package.

Pin Configuration



Absolute Maximum Ratings

| | |
|---|--|
| Terminal Voltage (with respect to GND) | Rate-of-Rise V_{BATT} , V_{CC}100V/ μ s |
| V_{CC}-0.3V to +6.0V | Operating Temperature Range |
| V_{BATT}-0.3V to +6.0V | C Suffix.....0°C to +70°C |
| All Other Inputs (Note 1).....-0.3V to (V_{CB} + 0.3V) | E Suffix.....-40°C to +85°C |
| Input Current | M Suffix.....-55°C to +125°C |
| V_{CC}200mA | Continuous Power Dissipation (T_A = +70°C) |
| V_{BATT}50mA | 8-Pin PDIP (derated 9.09mW/°C above +70°C).....727mW |
| GND.....20mA | 8-Pin SO (derated 5.88mW/°C above +70°C).....471mW |
| Output Current | 8-Pin CERDIP (derated 8.00mW/°C above +85°C).....640mW |
| V_{OUT}Short-Circuit Protected for Up to 10s | Storage Temperature Range-65°C to +160°C |
| All Other Outputs20mA | Lead Temperature (soldering, 10s)+300°C |

Note 1: V_{CB} is the greater of V_{CC} and V_{BATT} . The input voltage limits on PFI and \overline{MR} may be exceeded if the current into these pins is limited to less than 10mA.

Stresses beyond those listed under "Absolute Maximum Ratings" may cause permanent damage to the device. These are stress ratings only, and functional operation of the device at these or any other conditions beyond those indicated in the operational sections of the specifications is not implied. Exposure to absolute maximum rating conditions for extended periods may affect device reliability.

Electrical Characteristics

(V_{CC} = +4.75V to +5.5V for MAX703, V_{CC} = +4.5V to +5.5V for MAX704, V_{BATT} = 2.8V, T_A = T_{MIN} to T_{MAX} , unless otherwise noted.)

| PARAMETER | SYMBOL | CONDITIONS | MIN | TYP | MAX | UNITS |
|--|--------------|--|---|-------------------|-------|---------|
| Operating Voltage Range V_{CC} , V_{BATT} | | (Note 2) | 0 | | 5.5 | V |
| Supply Current (Excluding I_{OUT}) | I_{SUPPLY} | MAX70_C | | 200 | 350 | μ A |
| | | MAX70_E/M | | 200 | 500 | |
| I_{SUPPLY} in Battery-Backup Mode (Excluding I_{OUT}) | | V_{CC} = 0V, V_{BATT} = 2.8V | | 0.05 | 1.0 | μ A |
| | | T_A = +25°C | | | 5.0 | |
| | | T_A = T_{MIN} to T_{MAX} | | | | |
| V_{BATT} Standby Current (Note 3) | | $5.5V > V_{CC} > V_{BATT} + 0.2V$ | | -0.10 | +0.02 | μ A |
| | | T_A = +25°C | | | | |
| | | T_A = T_{MIN} to T_{MAX} | | -1.00 | +0.02 | |
| V_{OUT} Output | | I_{OUT} = 5mA | V_{CC} - 0.05 | V_{CC} - 0.025 | | V |
| | | I_{OUT} = 50mA | V_{CC} - 0.5 | V_{CC} - 0.25 | | |
| V_{OUT} in Battery-Backup Mode | | I_{OUT} = 250 μ A, $V_{CC} < V_{BATT} - 0.2V$ | V_{BATT} - 0.1 | V_{BATT} - 0.02 | | V |
| Battery Switch Threshold (V_{CC} - V_{BATT}) | | $V_{CC} < V_{RST}$ | Power-up | 20 | | mV |
| | | | Power-down | -20 | | |
| Battery Switchover Hysteresis | | | 40 | | | mV |
| \overline{RESET} Threshold | V_{RST} | MAX703 | 4.50 | 4.65 | 4.75 | V |
| | | MAX704 | 4.25 | 4.40 | 4.50 | |
| \overline{RESET} Threshold Hysteresis | | | 40 | | | mV |
| \overline{RESET} Pulse Width | t_{RST} | | 140 | 200 | 280 | ms |
| \overline{RESET} Output Voltage | V_{OH} | I_{SOURCE} = 800 μ A | V_{CC} - 1.5 | | | V |
| | | | I_{SINK} = 3.2mA | | 0.4 | |
| | V_{OL} | MAX70_C, V_{CC} = 1V, V_{CC} falling, V_{BATT} = 0V, I_{SINK} = 50 μ A | | | 0.3 | |
| | | | MAX70_E/M, V_{CC} = 1.2V, V_{CC} falling, V_{BATT} = 0V, I_{SINK} = 100 μ A | | | |

Electrical Characteristics (continued)

($V_{CC} = +4.75V$ to $+5.5V$ for MAX703, $V_{CC} = +4.5V$ to $+5.5V$ for MAX704, $V_{BATT} = 2.8V$, $T_A = T_{MIN}$ to T_{MAX} , unless otherwise noted.)

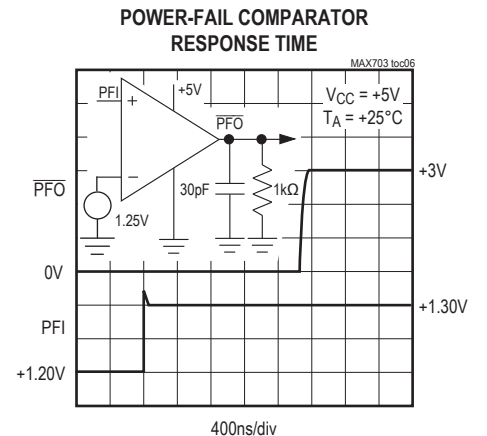
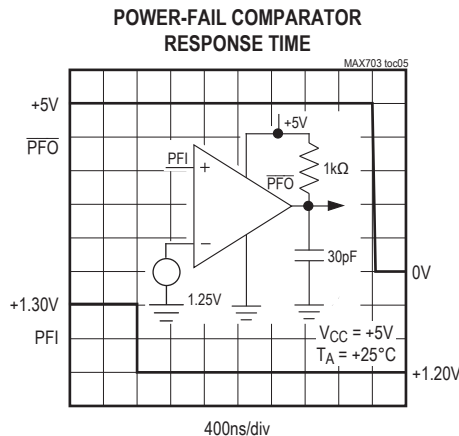
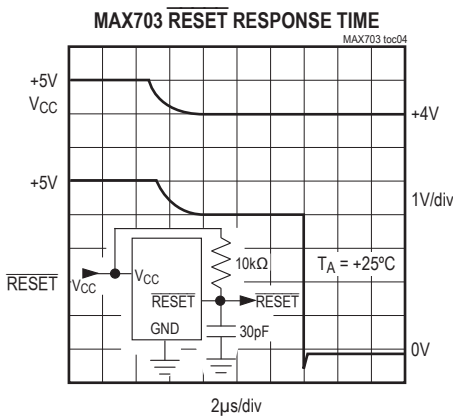
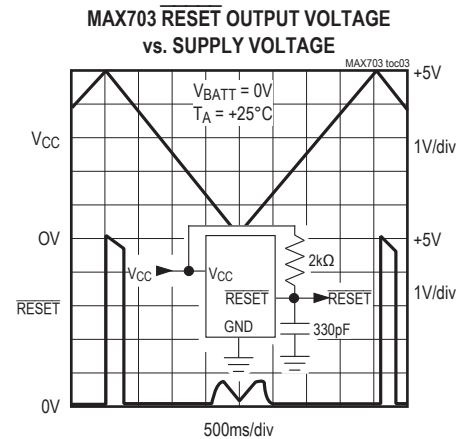
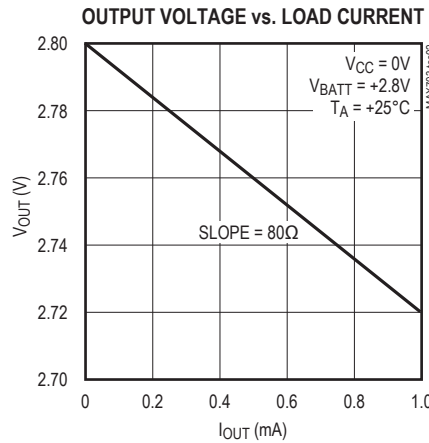
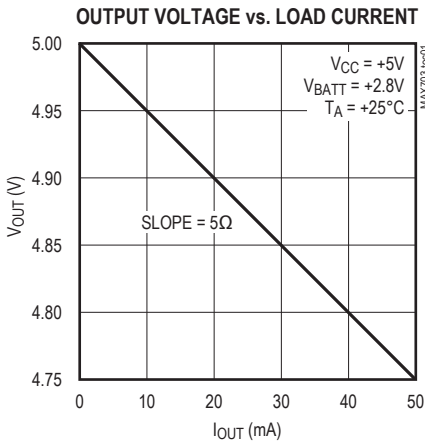
| PARAMETER | SYMBOL | CONDITIONS | MIN | TYP | MAX | UNITS |
|---------------------|----------|-------------------------|----------------|-------|------|---------|
| MR Input Threshold | V_{IL} | Low | | | 0.8 | V |
| | V_{IH} | High | 2.0 | | | |
| MR Pulse Width | t_{MR} | | 150 | | | ns |
| MR to RESET Delay | t_{MD} | | | | 250 | ns |
| MR Pullup Current | | MR = 0V | 100 | 250 | 600 | μA |
| PFI Input Threshold | | $V_{CC} = 5V$ | 1.20 | 1.25 | 1.30 | V |
| PFI Input Current | | | -25 | +0.01 | +25 | nA |
| PFO Output Voltage | V_{OH} | $I_{SOURCE} = 800\mu A$ | $V_{CC} - 1.5$ | | | V |
| | V_{OL} | $I_{SINK} = 3.2mA$ | | | 0.4 | |

Note 2: Either V_{CC} or V_{BATT} can go to 0V if the other is greater than 2.0V.

Note 3: “-” = battery-charging current, “+” = battery-discharging current.

Typical Operating Characteristics

($V_{CC} = +5V$, $V_{BATT} = 2.8V$, $T_A = +25^\circ C$, unless otherwise noted.)



Pin Description

| PIN | NAME | FUNCTION |
|-----|---------------------------|--|
| 1 | V _{OUT} | Supply Output for CMOS RAM. When V _{CC} is above the reset threshold, V _{OUT} connects to V _{CC} through a p-channel MOSFET switch. When V _{CC} is below the reset threshold, the higher of V _{CC} or V _{BATT} is connected to V _{OUT} . |
| 2 | V _{CC} | +5V Supply Input |
| 3 | GND | Ground |
| 4 | PFI | Power-Fail Comparator Input. When PFI is less than 1.25V, $\overline{\text{PFO}}$ goes low; otherwise $\overline{\text{PFO}}$ remains high. Connect PFI to GND or V _{CC} when not used. |
| 5 | $\overline{\text{PFO}}$ | Power-Fail Comparator Output. It goes low and sinks current when PFI is less than 1.25V; otherwise $\overline{\text{PFO}}$ remains high. |
| 6 | $\overline{\text{MR}}$ | Manual Reset Input. Generates a reset pulse when pulled below 0.8V. This active-low input is TTL/CMOS compatible and can be shorted to ground with a switch. It has an internal 250 μ A pullup current. Leave floating when not used. |
| 7 | $\overline{\text{RESET}}$ | Reset Output. Remains low while V _{CC} is below the reset threshold (4.65V for the MAX703, 4.40V for the MAX704). It remains low for 200ms after V _{CC} rises above the reset threshold (Figure 2) or $\overline{\text{MR}}$ goes from low to high. |
| 8 | V _{BATT} | Backup-Battery Input. When V _{CC} falls below the reset threshold, V _{BATT} is switched to V _{OUT} if V _{BATT} is 20mV greater than V _{CC} . When V _{CC} rises 20mV above V _{BATT} , V _{CC} is switched to V _{OUT} . The 40mV hysteresis prevents repeated switching if V _{CC} falls slowly. |

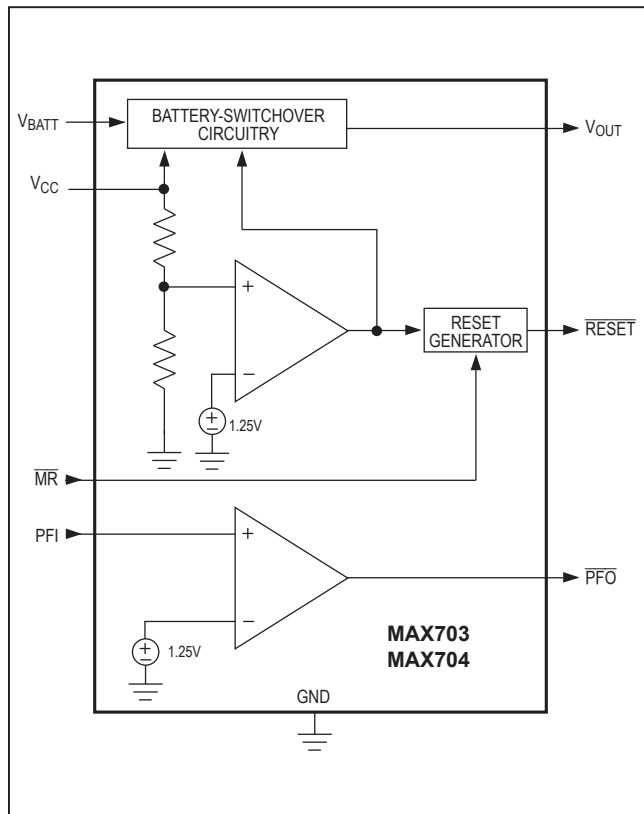


Figure 1. Block Diagram

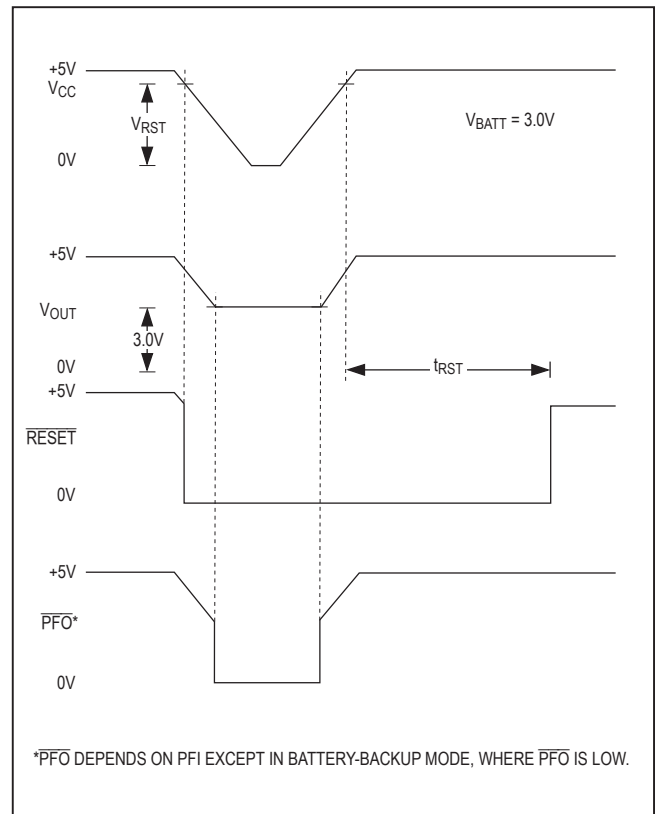


Figure 2. Timing Diagram

Detailed Description

RESET Output

A μP 's reset input starts the μP in a known state. Whenever the μP is in an unknown state, it should be held in reset. The MAX703/MAX704 assert reset when V_{CC} is low, preventing code-execution errors during power-up, power-down, or brownout conditions.

When V_{BATT} is 2V or more, $\overline{\text{RESET}}$ is always valid, irrespective of V_{CC} . On power-up, as V_{CC} rises, $\overline{\text{RESET}}$ remains low. When V_{CC} exceeds the reset threshold, an internal timer holds $\overline{\text{RESET}}$ low for a time equal to the reset pulse width (typically 200ms); after this interval, $\overline{\text{RESET}}$ goes high (Figure 2). If a power-fail or brownout condition occurs (i.e., V_{CC} drops below the reset threshold), $\overline{\text{RESET}}$ is asserted. As long as V_{CC} remains below the reset threshold, the internal timer is continually restarted, causing the $\overline{\text{RESET}}$ output to remain low. Thus, a brownout condition that interrupts a previously initiated reset pulse causes an additional 200ms delay from the end of the last interruption.

Power-Fail Comparator

The PFI input is compared to an internal reference. If PFI is less than 1.25V, $\overline{\text{PFO}}$ goes low. The power-fail comparator can be used as an undervoltage detector to signal a failing power supply. In the *Typical Operating Circuit*, an external voltage-divider at PFI is used to monitor the unregulated DC voltage from which the regulated +5V supply is derived.

The voltage-divider can be chosen so the voltage at PFI falls below 1.25V just before the +5V regulator drops out. $\overline{\text{PFO}}$ is then used as an interrupt to prepare the μP for power-down.

To conserve power, the power-fail comparator is turned off and $\overline{\text{PFO}}$ is forced low when the MAX703/MAX704 enter battery-backup mode.

Backup-Battery Switchover

In the event of a brownout or power failure, it may be necessary to preserve the contents of RAM. With a backup battery installed at V_{BATT} , the MAX703/MAX704 automatically switch RAM to backup power when V_{CC} fails.

As long as V_{CC} exceeds the reset threshold, V_{CC} connects to V_{OUT} through a 5 Ω p-channel MOSFET power switch. Once V_{CC} falls below the reset threshold, $\overline{\text{RESET}}$ goes low and V_{CC} or V_{BATT} (whichever is higher) switches to V_{OUT} . Note that V_{BATT} switches to V_{OUT} through an 80 Ω switch only if V_{CC} is below the resetthreshold voltage and V_{BATT} is greater than V_{CC} . When V_{CC} exceeds the reset threshold, it is connected to the MAX703/

MAX704 substrate, regardless of the voltage applied to V_{BATT} (Figure 3). During this time, diode D1 (between V_{BATT} and the substrate) conducts current from V_{BATT} to V_{CC} if $V_{BATT} \geq (V_{CC} + 0.6V)$.

When the battery-backup mode is activated, V_{BATT} connects to V_{OUT} . In this mode, the substrate connects to V_{BATT} and internal circuitry is powered from the battery (Figure 3). Table 1 shows the status of the MAX703/MAX704 inputs and outputs in battery-backup mode.

When V_{CC} is below, but within, 1V of V_{BATT} , the internal switchover comparator draws about 30 μA . Once V_{CC}

Table 1. Input and Output Status in Battery-Backup Mode

| SIGNAL | STATUS |
|---------------------------|---|
| V_{CC} | Disconnected from V_{OUT} . |
| V_{OUT} | Connected to V_{BATT} through an internal 80 Ω p-channel MOSFET switch. |
| V_{BATT} | Connected to V_{OUT} . Supply current is $< 1\mu\text{A}$ when $V_{CC} < (V_{BATT} - 1V)$. |
| $\overline{\text{RESET}}$ | Logic-low. |
| PFI | Power-fail comparator is disabled. |
| $\overline{\text{PFO}}$ | Logic-low. |
| $\overline{\text{MR}}$ | Disabled. |

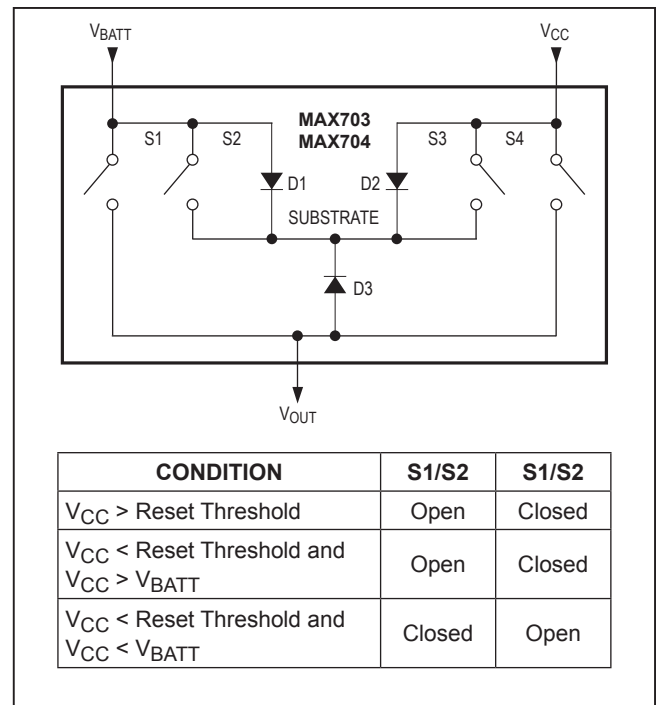


Figure 3. Battery-Switchover Block Diagram

MAX703/MAX704

drops to more than 1V below V_{BATT} , the internal switch-over comparator shuts off and the supply current falls to less than 1 μ A.

Manual Reset

The manual reset input (\overline{MR}) allows \overline{RESET} to be activated by a pushbutton switch. The switch is effectively debounced by the 140ms minimum reset pulse width. Because it is TTL/CMOS compatible, \overline{MR} can be driven by an external logic line.

Applications Information

Using a Supercap as a Backup Power Source

Supercaps are capacitors with extremely high capacitance values (on the order of 0.1 Farad). When using supercaps, if V_{CC} exceeds the MAX703/MAX704 reset thresholds (4.65V and 4.40V, respectively), V_{BATT} may not exceed V_{CC} by more than 0.6V. Thus, with a 5% tolerance on V_{CC} , V_{BATT} should not exceed $V_{CC}(\text{min}) + 0.6V = 5.35V$. Similarly, with a 10% tolerance on V_{CC} , V_{BATT} should not exceed 5.1V.

Figure 4's supercap circuit uses the MAX703 with a $\pm 5\%$ tolerance voltage supply. In this circuit, the supercap rapidly charges to within a diode drop of V_{CC} . However, the diode leakage current with trickle charge the supercap voltage to V_{CC} . If $V_{BATT} = 5.25V$ and the power is suddenly removed and then reapplied with $V_{CC} = 4.75V$, $V_{BATT} - V_{CC}$ does not exceed the allowable 0.6V difference voltage.

Figure 5's circuit uses the MAX704 with a $\pm 10\%$ tolerance voltage supply. Note that if $V_{CC} = 5.5V$ and $V_{BATT} \leq 5.1V$, the power can be suddenly removed and reapplied with $V_{CC} = 4.5V$, and $V_{BATT} - V_{CC}$ will not exceed the allowable 0.6V voltage difference.

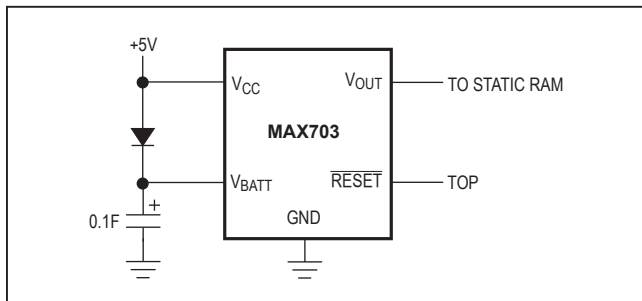


Figure 4. Using a Supercap as a Backup Power Source with a MAX703 and a +5V $\pm 5\%$ Supply

Low-Cost Microprocessor Supervisory Circuits with Battery Backup

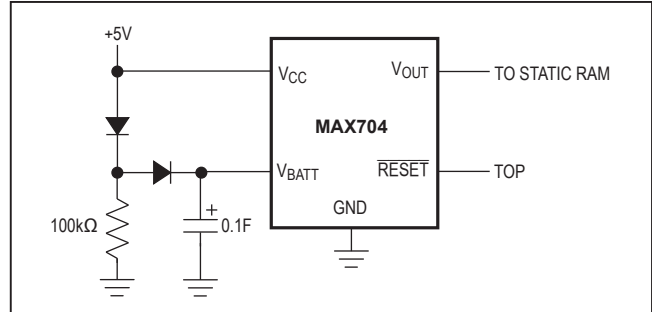


Figure 5. Using a Supercap as a Backup Power Source with the MAX704 and a +5V $\pm 10\%$ Supply

Batteries and Power Supplies as Backup Power Sources

Lithium batteries work well as backup batteries because they have very low self-discharge rates and high-energy density. Single lithium batteries with opencircuit voltages of 3.0V to 3.6V are ideal for use with the MAX703/MAX704. Batteries with an open-circuit voltage less than the minimum reset threshold plus 0.3V can be directly connected to the MAX703/MAX704 V_{BATT} input with no additional circuitry (see the *Typical Operating Circuit*).

However, batteries with open-circuit voltages greater than the reset threshold plus 0.3V **cannot** be used as backup batteries, since they source current into the substrate through diode D1 (Figure 3) when V_{CC} is close to the reset threshold.

Table 2. Allowable Backup-Battery Voltages

| PART | MAXIMUM BACKUP-BATTERY VOLTAGE (V) |
|--------|------------------------------------|
| MAX703 | 4.80 |
| MAX704 | 4.55 |

Using the MAX703/MAX704 without a Backup Power Source

If a backup power source is not used, ground V_{BATT} and connect V_{CC} to V_{OUT} . A direct connection to V_{CC} eliminates any voltage drop across the internal switch, which would otherwise appear at V_{OUT} . Alternatively, use the MAX705–MAX708, which do not have batterybackup capabilities.

Ensuring a Valid $\overline{\text{RESET}}$ Output Down to $V_{CC} = 0\text{V}$

When V_{CC} falls below 1V, the MAX703/MAX704 $\overline{\text{RESET}}$ output no longer sinks current; it becomes an open circuit. High-impedance CMOS logic inputs can drift to undetermined voltages if left as open circuits. If a pull-down resistor is added to the $\overline{\text{RESET}}$ pin as shown in Figure 6, any stray charge or leakage currents will flow to ground, holding $\overline{\text{RESET}}$ low. Resistor value R1 is not critical. It should be about 100k Ω , which is large enough not to load $\overline{\text{RESET}}$ and small enough to pull $\overline{\text{RESET}}$ to ground.

Replacing the Backup Battery

The backup battery can be removed while V_{CC} remains valid without triggering a reset. As long as V_{CC} stays above the reset threshold, battery-backup mode cannot

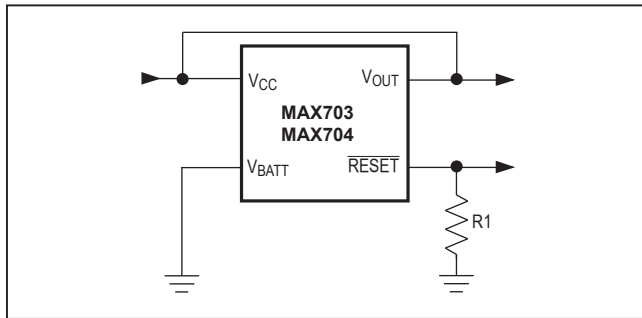


Figure 6. $\overline{\text{RESET}}$ Valid to Ground Circuit

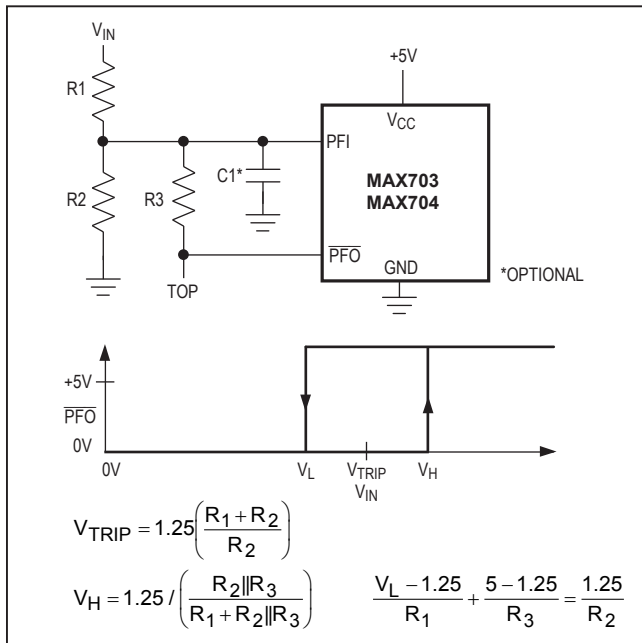


Figure 7. Adding Hysteresis to the Power-Fail Comparator

Low-Cost Microprocessor Supervisory Circuits with Battery Backup

be entered. This is an improvement on switchover ICs that initiate a reset when V_{CC} and V_{BATT} are at or near the same voltage level (regardless of the reset threshold voltage). If the voltage on the unconnected V_{BATT} pin floats up toward V_{CC} , this condition alone cannot initiate a reset when using the MAX703/MAX704.

Adding Hysteresis to the Power-Fail Comparator

Hysteresis adds a noise margin to the power-fail comparator and prevents repeated triggering of $\overline{\text{PFO}}$ when V_{IN} is near the power-fail comparator trip point. Figure 7 shows how to add hysteresis to the power-fail comparator. Select the ratio of R1 and R2 so that PFI sees 1.25V when V_{IN} falls to the desired trip point (V_{TRIP}). Resistor R3 adds hysteresis. It will typically be an order of magnitude greater than R1 or R2. The current through R1 and R2 should be at least 1 μA to ensure that the 25nA (max) PFI input current does not shift the trip point. R3 should be larger than 10k Ω to prevent it from loading down the $\overline{\text{PFO}}$ pin. Capacitor C1 adds additional noise rejection.

Monitoring a Negative Voltage

The power-fail comparator can be used to monitor a negative supply voltage using Figure 8's circuit. When the negative supply is valid, $\overline{\text{PFO}}$ is low. When the negative supply voltage droops, $\overline{\text{PFO}}$ goes high. This circuit's accuracy is affected by the PFI threshold tolerance, the V_{CC} voltage, and resistors R1 and R2.

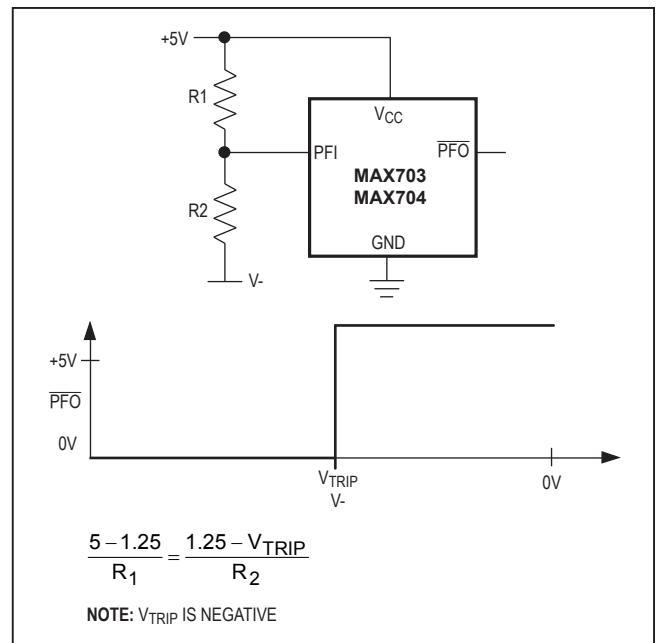


Figure 8. Monitoring a Negative Voltage

**Using the Power-Fail Comparator
to Assert Reset**

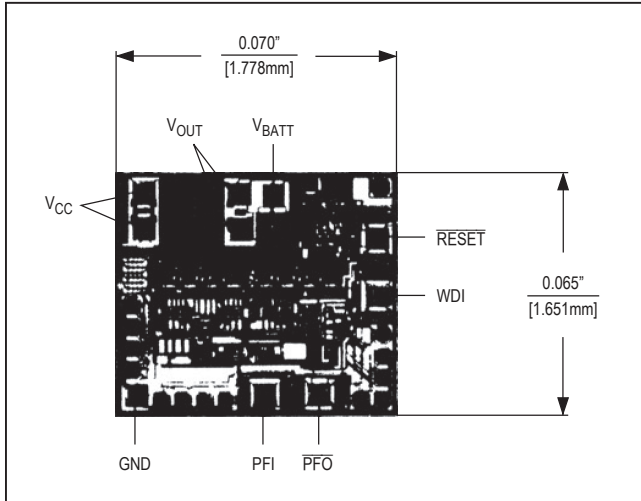
In addition to asserting reset at the V_{CC} reset threshold voltage, reset can also be asserted at the PFI input threshold voltage. Connect \overline{PFO} to \overline{MR} to initiate a reset

pulse when the monitored supply drops below a user-specified threshold or when V_{CC} falls below the reset threshold. For additional noise rejection, place a capacitor between PFI and GND.

Table 3. Maxim Microprocessor Supervisory Products

| PART | NOMINAL RESET THRESHOLD (V) | MINIMUM RESET PULSE WIDTH (ms) | NOMINAL WATCH-DOG TIMEOUT PERIOD (s) | BACKUP-BATTERY SWITCH | \overline{CE} WRITE PROTECT | POWER-FAIL COMPARATOR | MANUAL RESET INPUT | WATCH-DOG INPUT | LOW-LINE OUTPUT | ACTIVE-HIGH RESET | BATT ON OUTPUT |
|---------|-----------------------------|--------------------------------|--------------------------------------|-----------------------|-------------------------------|-----------------------|--------------------|-----------------|-----------------|-------------------|----------------|
| MAX690A | 4.65 | 140 | 1.6 | Yes | No | Yes | No | No | No | No | No |
| MAX691A | 4.65 | 140/Adj. | 1.6/Adj. | Yes | Yes | Yes | No | Yes | Yes | Yes | Yes |
| MAX692A | 4.40 | 140 | 1.6 | Yes | No | Yes | No | No | No | No | No |
| MAX693A | 4.40 | 140/Adj. | 1.6/Adj. | Yes | Yes | Yes | No | Yes | Yes | Yes | Yes |
| MAX696 | Adj. | 35/Adj. | 1.6/Adj. | Yes | No | Yes | No | Yes | Yes | Yes | Yes |
| MAX697 | Adj. | 35/Adj. | 1.6/Adj. | No | Yes | Yes | No | Yes | Yes | Yes | No |
| MAX700 | 4.65/Adj. | 200 | — | No | No | No | Yes | No | No | Yes | No |
| MAX703 | 4.65 | 140 | — | Yes | No | Yes | Yes | No | No | No | No |
| MAX704 | 4.40 | 140 | — | Yes | No | Yes | Yes | No | No | No | No |
| MAX705 | 4.65 | 140 | 1.6 | No | No | Yes | Yes | Yes | No | No | No |
| MAX706 | 4.40 | 140 | 1.6 | No | No | Yes | Yes | Yes | No | No | No |
| MAX707 | 4.65 | 140 | — | No | No | Yes | Yes | No | No | Yes | No |
| MAX708 | 4.40 | 140 | — | No | No | Yes | Yes | No | No | Yes | No |
| MAX791 | 4.65 | 140 | 1.0 | Yes | Yes | Yes | Yes | Yes | Yes | Yes | Yes |
| MAX1232 | 4.50/4.75 | 250 | 0.15/ 0.60/1.2 | No | No | No | Yes | No | No | Yes | No |
| MAX1259 | — | — | — | Yes | No | Yes | No | No | No | No | No |

Chip Topography



Package Information

For the latest package outline information and land patterns (footprints), go to www.maximintegrated.com/packages. Note that a "+", "#", or "-" in the package code indicates RoHS status only. Package drawings may show a different suffix character, but the drawing pertains to the package regardless of RoHS status.

| PACKAGE TYPE | PACKAGE CODE | OUTLINE NO. | LAND PATTERN NO. |
|--------------|--------------|-------------------------|-------------------------|
| 8 PDIP | P8+1 | 21-0043 | — |
| 8 SO | S8+2 | 21-0041 | 90-0096 |
| 8 CERDIP | J8+2 | 21-0045 | — |

Revision History

| REVISION NUMBER | REVISION DATE | DESCRIPTION | PAGES CHANGED |
|-----------------|---------------|---|---------------|
| 3 | 5/14 | Removed "Automotive Systems" from the <i>Applications</i> section | 1 |

For pricing, delivery, and ordering information, please contact Maxim Direct at 1-888-629-4642, or visit Maxim Integrated's website at www.maximintegrated.com.

Maxim Integrated cannot assume responsibility for use of any circuitry other than circuitry entirely embodied in a Maxim Integrated product. No circuit patent licenses are implied. Maxim Integrated reserves the right to change the circuitry and specifications without notice at any time. The parametric values (min and max limits) shown in the Electrical Characteristics table are guaranteed. Other parametric values quoted in this data sheet are provided for guidance.

Компания «Океан Электроники» предлагает заключение долгосрочных отношений при поставках импортных электронных компонентов на взаимовыгодных условиях!

Наши преимущества:

- Поставка оригинальных импортных электронных компонентов напрямую с производств Америки, Европы и Азии, а так же с крупнейших складов мира;
- Широкая линейка поставок активных и пассивных импортных электронных компонентов (более 30 млн. наименований);
- Поставка сложных, дефицитных, либо снятых с производства позиций;
- Оперативные сроки поставки под заказ (от 5 рабочих дней);
- Экспресс доставка в любую точку России;
- Помощь Конструкторского Отдела и консультации квалифицированных инженеров;
- Техническая поддержка проекта, помощь в подборе аналогов, поставка прототипов;
- Поставка электронных компонентов под контролем ВП;
- Система менеджмента качества сертифицирована по Международному стандарту ISO 9001;
- При необходимости вся продукция военного и аэрокосмического назначения проходит испытания и сертификацию в лаборатории (по согласованию с заказчиком);
- Поставка специализированных компонентов военного и аэрокосмического уровня качества (Xilinx, Altera, Analog Devices, Intersil, Interpoint, Microsemi, Actel, Aeroflex, Peregrine, VPT, Syfer, Eurofarad, Texas Instruments, MS Kennedy, Miteq, Cobham, E2V, MA-COM, Hittite, Mini-Circuits, General Dynamics и др.);

Компания «Океан Электроники» является официальным дистрибьютором и эксклюзивным представителем в России одного из крупнейших производителей разъемов военного и аэрокосмического назначения «JONHON», а так же официальным дистрибьютором и эксклюзивным представителем в России производителя высокотехнологичных и надежных решений для передачи СВЧ сигналов «FORSTAR».



JONHON

«JONHON» (основан в 1970 г.)

Разъемы специального, военного и аэрокосмического назначения:

(Применяются в военной, авиационной, аэрокосмической, морской, железнодорожной, горно- и нефтедобывающей отраслях промышленности)

«FORSTAR» (основан в 1998 г.)

ВЧ соединители, коаксиальные кабели, кабельные сборки и микроволновые компоненты:

(Применяются в телекоммуникациях гражданского и специального назначения, в средствах связи, РЛС, а так же военной, авиационной и аэрокосмической отраслях промышленности).



Телефон: 8 (812) 309-75-97 (многоканальный)

Факс: 8 (812) 320-03-32

Электронная почта: ocean@oceanchips.ru

Web: <http://oceanchips.ru/>

Адрес: 198099, г. Санкт-Петербург, ул. Калинина, д. 2, корп. 4, лит. А