

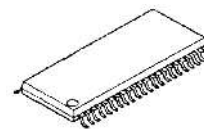
Digital Signal Processor with PWM Modulator for Speaker System

■ General Description

The NJU26060-04A is a high performance 24-bit digital signal processor included sampling rate converter (SRC), PWM modulators.

The NJU26060-04A provides eala & eala Rebirth, eala Stereo Expander of NJRC Original Sound Enhancement, Dynamic Bass Boost, 256TAP FIR Filter, 12bands PEQ, two systems Limiter. These kinds of sound functions are suitable for TV, minicomponent, CD radio-cassette, speakers system and other audio products.

■ Package



NJU26060V-04A

■ Features

- Hardware

- 24bit Fixed-point Digital Signal Processing
- Clock Frequency : 24.576MHz, Embedded PLL Circuit
- Sampling rate converter (SRC) : $F_s=8\text{kHz}$ to 192kHz 48kHz
- PWM modulator : 4ch Outputs (2 stereos)
- Digital interface transmitter (DIT) : 1 port
- Digital Audio Interface : 3 Input ports / 2 Output ports (switch over from PWM output)
- Digital Audio Format : I²S 24bit, Left-justified, Right-justified, BCK : 32/64fs
- Master / Slave Mode
 - Sampling Rate Converter: Slave mode
 - DSP: Master Mode
- Host Interface : I²C Bus (Fast-mode/400kbps)
- Power Supply : $V_{DD} = 3.3\text{V}$
- Input terminal: : 5V Input tolerant
- Package : SSOP44 (Pb-Free)

- Software

- Input Signal Selector
- Input Signal Detector
- HPF
- 12Bands PEQ
- 256Taps FIR Filter
- Limiter (SDO0/SDO1)
- DRC (3Bands)
- eala / eala Rebirth
- eala Stereo Expander
- DBB (Dynamic Bass Boost)
- Xover (HPF/LPF)
- BEEP
- SubWoofer Output
- Master Volume
- Input Trimmer / Output Trimmer

* The detail hardware specification of the NJU26060-04A is described in the "NJU26060 Series Hardware Specification".

NJU26060-04A

DSP Block Diagram

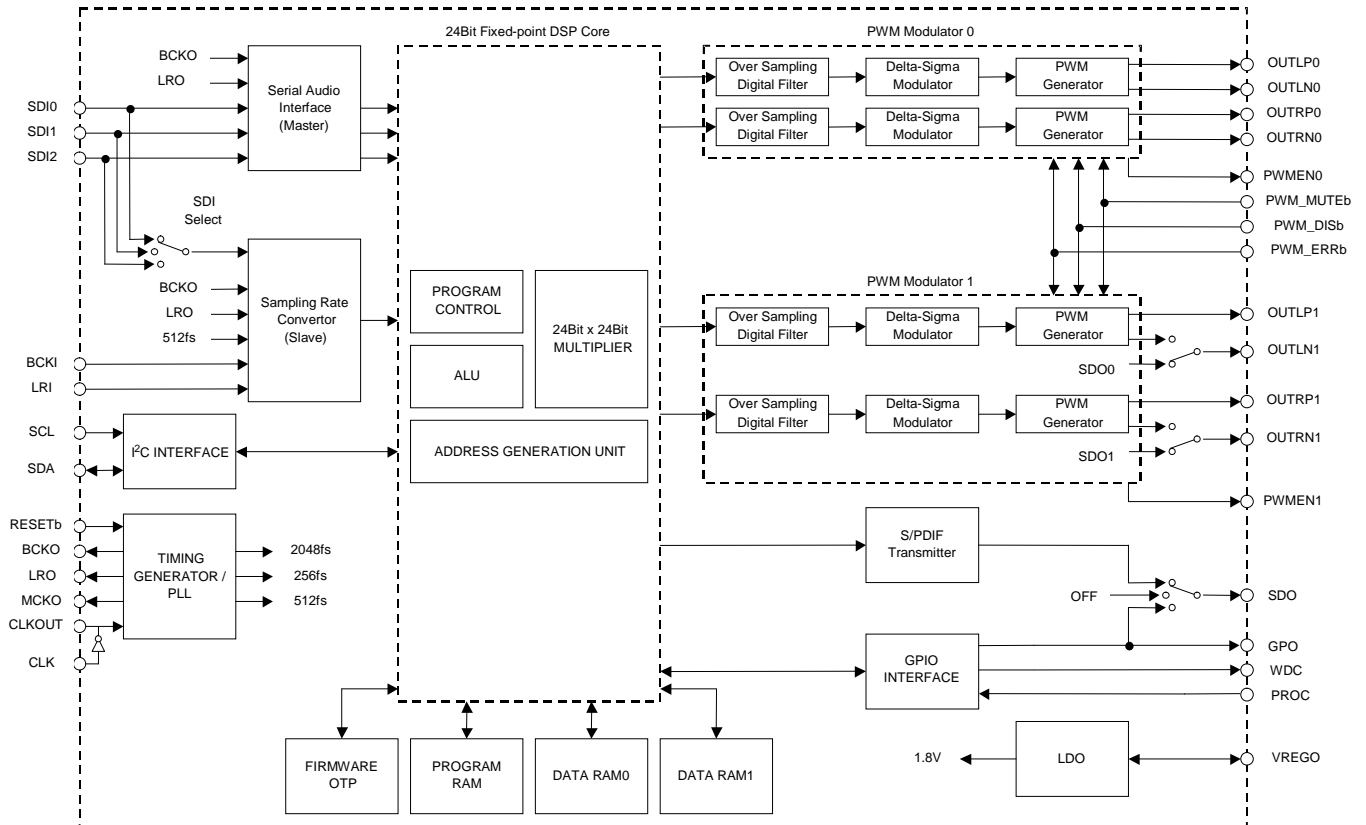


Fig 1. NJU26060-04A Hardware Block Diagram

Function Block Diagram

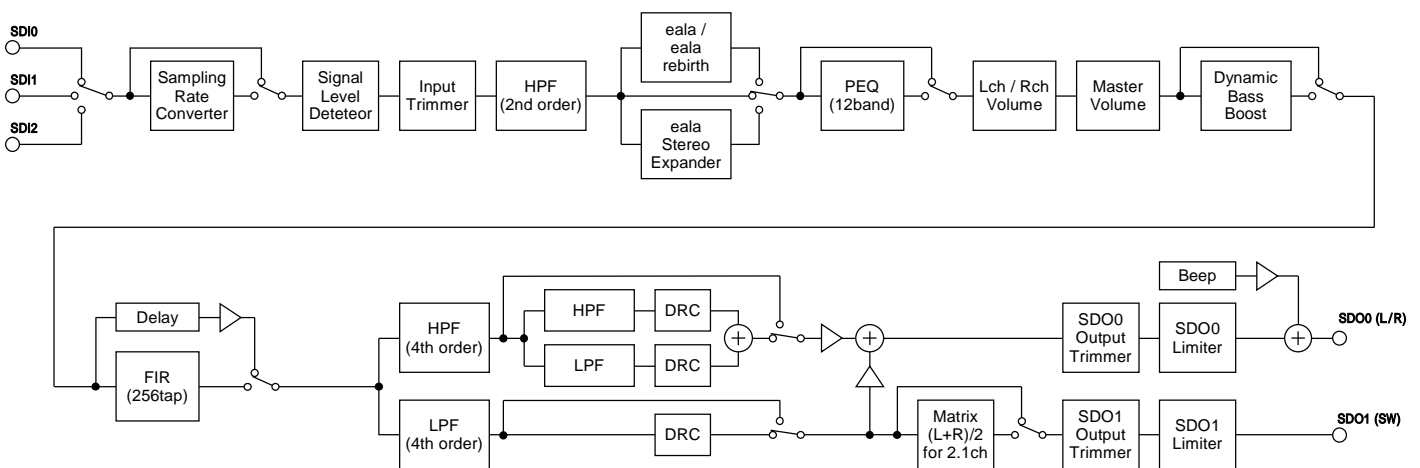


Fig 2. NJU26060-04A Block Diagram

■ Pin Configuration

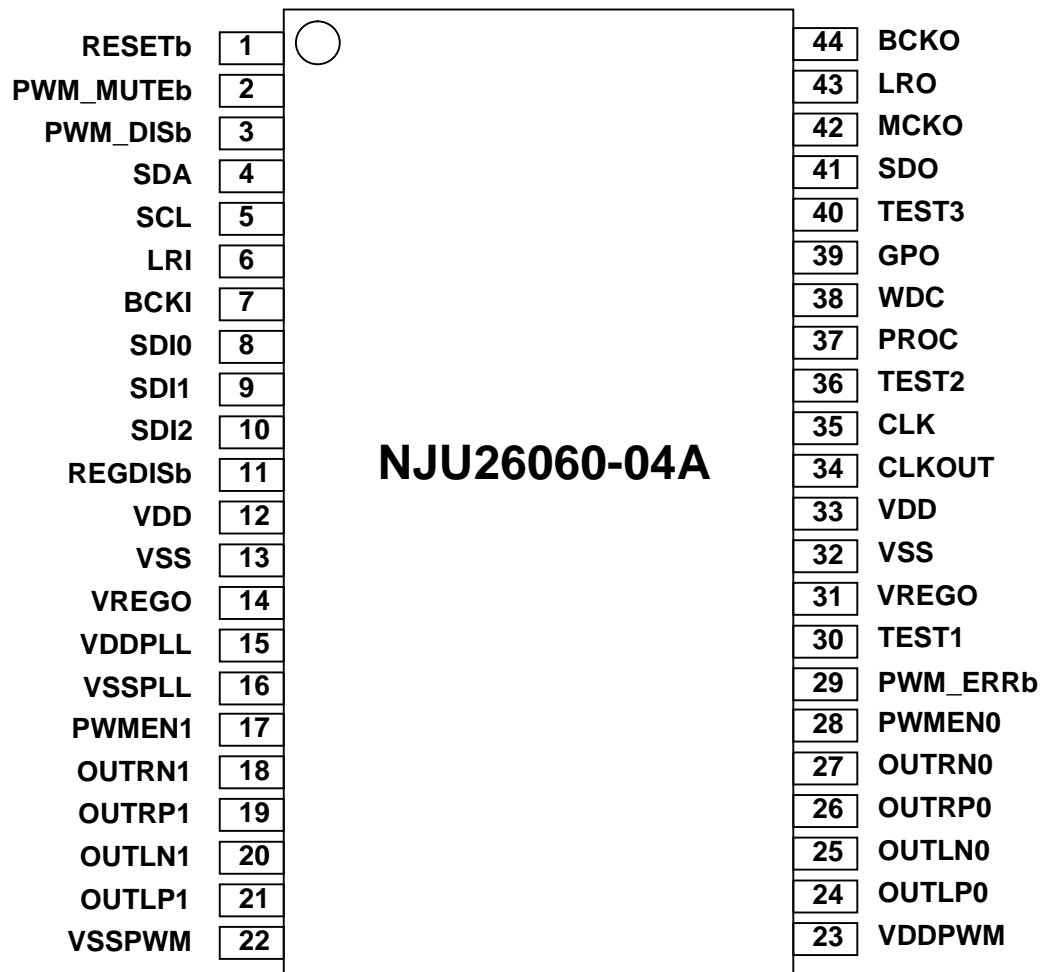


Fig 3. NJU26060-04A Pin Configuration

■ Pin Description

Table 1. Pin Description

Pin No.	Symbol	I/O	Description
1	RESETb	I	Reset (RESETb="Low" : DSP Reset)
2	PWM_MUTEb	I+	PWM Block Mute request input
3	PWM_DISb	I+	PWM Block Standby request input
4	SDA	OD	I ² C serial data I/O (connect to VSS with 3.3kohm when this is not used)
5	SCL	I	I ² C clock (connect to VSS when this is not used)
6	LRI	I-	LR Clock Input for Fs conversion side
7	BCKI	I-	Bit Clock Input for Fs conversion side
8	SDI0	I-	Audio Data Input 0
9	SDI1	I-	Audio Data Input 1
10	SDI2	I-	Audio Data Input 2
11	REGDISb	I	Built-in Power Supply Enable (connect to VDD)
12	VDD	P	Power Supply +3.3V
13	VSS	G	GND
14	VREGO	PI	Built-in Power Supply Bypass (connect capacitors 10uF and 0.01uF)
15	VDDPLL	PA	PLL Power Supply +1.8V (connect to VREGO)
16	VSSPLL	GA	PLL Power Supply GND
17	PWMEN1	O	PWM1 enable output (PWMEN1='1': enable)
18	OUTRN1	OP	PWM1 R- output / Audio Data output 1 (setting Firmware)
19	OUTRP1	OP	PWM1 R+ output
20	OUTLN1	OP	PWM1 L- output / Audio Data output 0 (setting Firmware)
21	OUTLP1	OP	PWM1 L+ output
22	VSSPWM	GP	PWM Power Supply GND
23	VDDPWM	PP	PWM Power Supply +3.3V (decoupling capacitor is required to stable power supply)
24	OUTLP0	OP	PWM0 L+ output
25	OUTLN0	OP	PWM0 L- output
26	OUTRP0	OP	PWM0 R+ output
27	OUTRN0	OP	PWM0 R- output
28	PWMEN0	O	PWM0 enable output (PWMEN0='1': enable)
29	PWM_ERRb	I+	PWM block stop request input (PWM_ERRb='0': PWM stop)
30	TEST1	I	for Test (connected to VSS)
31	VREGO	PI	Built-in Power Supply Bypass (connect capacitors 10uF and 0.01uF)
32	VSS	G	GND
33	VDD	P	Power Supply +3.3V
34	CLKOUT	O	OSC Output
35	CLK	I	OSC Clock Input
36	TEST2	I-	for Test (connected to VSS)
37	PROC	I+	PROC terminal
38	WDC	O+	Watch dog clock terminal
39	GPO	OD	Signal detection terminal
40	TEST3	I-	for Test (connected to VSS)
41	SDO	O	OFF / DIT output 0 / GPO(same function as pin#39) (selected by command)
42	MCKO	O	Master Clock Output for A/D, D/A
43	LRO	O	LR clock Output
44	BCKO	O	Bit clock Output

Note :

- I : Input
- I+ : Input (Pull-up)
- OD : Bi-directional (Open Drain) This pin requires a pull-up resistance.
- I/O : Bi-directional
- OP : PWM output(supply for VDDPWM)
- O: Output
- I -: Input (Pull-down)
- PI: Built-in Power Supply Bypass

NOTICE: Does not keep the terminal without the pull-up resistance or the pull-down resistance open.
The functions of SDIO0 to SDIO2, SDO, OUTxxx depend on the IC specifications.

■ Audio Clock

Three kinds of clocks are needed for digital audio data transfer.

- (1) LR clock (LRI, LRO) is needed by serial-data transmission. It is the same as the sampling frequency of a digital audio signal.
- (2) Bit clock (BCKI, BCKO) is needed by serial-data transmission. It becomes the multiple of LR clock.
- (3) Master clock (MCKO) needed by A/D, D/A converter, etc. It becomes the multiple of LR clock. It is not related to serial audio data transmission.

The NJU26060-04A support serial data format that includes 32(32fs) or 64(64fs) BCK clocks.

The NJU26060-04A supplies the clock necessary for digital audio data transmission to an external device as a master device by each terminal of MCKO, BCKO, and LRO. On the other hand, the sampling rate converter that works as a slave device takes digital audio data with the clock input to BCKI and the terminal LRI, and converts the sampling frequency into the clock system composed of MCKO/BCKO/LRO. After internal reset ends as a master clock, the terminal MCKO sets the buffer output or 2 dividing frequency the output of the input clock to the terminal CLK. The stop is also possible according to the command of the firmware.

The NJU26060-04A is used by 512 times the internal operation sampling frequency (It is 24.576MHz in the sampling frequency 48kHz). In that case, NJU26060-04A can output 64 times, 32 times the bit clock to of the LR clock one time the sampling frequency and of each, and 512 times and 256 times the master clock as a mastering device. Table 5 shows the relation of each clock.

The NJU26060 series support two clock frequencies (24.576kHz ,or 22.572kHz) as hardware specifications. However NJU26060-04A acceptable one clock frequency (24.576kHz), cause of the software on NJU26060-04A supports one clock frequency (24.576kHz).

Table 2. Supply Clock for CLK pin Frequency and BCKO,LRO,MCKO

Clock Signal	Multiple Frequency	Clock Frequency
		24.576MHz(for pin#35)
LRO	1Fs	48kHz
BCKO(32Fs)	32Fs	1.536MHz
BCKO(64Fs)*	64Fs	3.072MHz
MCKO(256Fs)*	256Fs	12.288MHz
MCKO(512Fs)	512Fs	24.576MHz

* default for starting up

■ Serial Audio Data Input/Output

Audio interface of the NJU26060-04A includes three data input ports: SDI0, SDI1 and SDI2 (Table 3), and three data output ports: SDO0, SDO1 and SDO2 (Table 4).

Table 3. Serial Audio Input Pin Description

Pin No.	Symbol	Description
8	SDI0	Audio Data Input 0
9	SDI1	Audio Data Input 1
10	SDI2	Audio Data Input 2

Table 4. Serial Audio Output Pin Description

Pin No.	Symbol	Description
20	OUTLN1	Audio Data Output 0 (L/R)
18	OUTRN1	Audio Data Output 1 (SW)
41	SDO	OFF

Pin#20, 18 can be change the function to PWM1 output. Pin#41 can be change the function to DIT (output 0) or GPO output (the function is same as Pin#39). Refer to table1.

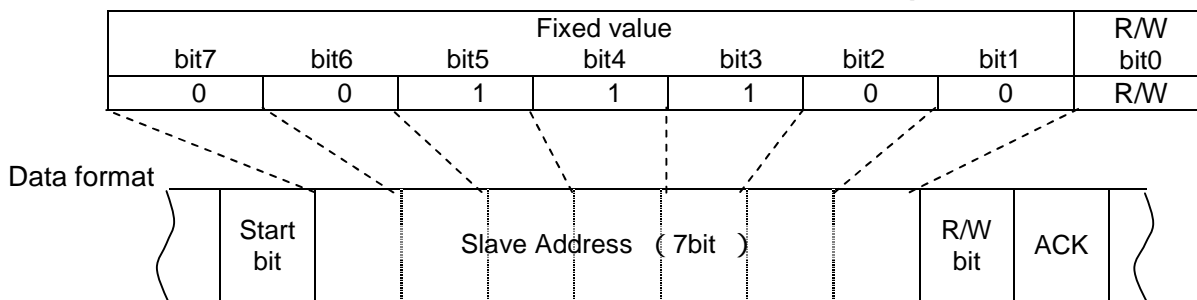
■ I²C bus Interface

I²C bus interface transfers data to the SDA pin and clocks data to the SCL pin. SDA pin is a bi-directional open drain and requires a pull-up resistor.

The slave address is set up as Table 5. When the initialization is finished (After reset NJU26060-04A), NJU26060-04A can be communicated with Host. However until finished the initialization, the Host can't be get any correct responses.

Note : The serial host interface supports “Standard-Mode (100kbps)” and “Fast-Mode (400kbps)” I²C bus data transfer.

Table 5. Serial Host Interface Pin Description



*: On “R/W bit”, “0”=“W”, “1”=“R”.

■ General-purpose in/out pin

The NJU26060 Series has general-purpose in/out pin. On NJU26060-04A, these terminals operate as below functions (Table 6).

Table 6. General-purpose in/out pin and pin disposal

Pin No.	Symbol	Description
40	TEST3 (Pull-down I)	Terminal for a test. Connect to VSS
39	GPO (O)	Signal detection terminal. Default is Hi-Z. Connect to VDD with pull-up resistor. It outputs Low If it detects no signal.
38	WDC (O)	Output of the watchdog clock. This terminal is toggled between “Low” and “High” in the audio processing. Thus, this terminal notifies the correct operating to another devices. If monitored by watchdog IC, microcontroller, and so on, abnormal condition can be detected. The rate of WDC is 100msec (10Hz).
37	PROC (I)	PROC terminal, H: However reset the NJU26060-04A, signal processing is not started. To start signal processing, start command is required. L: After reset the NJU26060-04A, signal processing is started (default setting: master volume is 0dB).

■ Command Table

Table 7. Command table

No.	Function
1	Set Task Command
2	Samplerate Config Command
3	Smooth Control Setup Command
4	Input Select Command
5	Trimmer Command
6	Eala Setup Command
7	DBB LFE Filter Setup Command
8	PEQ Config Command
9	HPF For Input FREQ Select Command
10	HPF For L/R FREQ Select Command
11	LPF For SW FREQ Select Command
12	HPF For DRC(L/R) FREQ Select Command
13	LPF For DRC(L/R) FREQ Select Command
14	DRC For HPF(L/R) Time Constant Setting Command
15	DRC For LPF(L/R) Time Constant Setting Command
16	DRC For SW Time Constant Setting Command
17	DBB Time Constant Setting Command
18	DRC For HPF(L/R) Level Setting Command
19	DRC For LPF(L/R) Level Setting Command
20	DRC For SW Level Setting Command
21	DBB Level Setting Command
22	L-Ch FIR Coef Load Command
23	R-Ch FIR Coef Load Command
24	System Status Config Command
25	PWM0 Status Config Command
26	PWM1 Status Config Command
27	No Signal Detection Setup Command
28	SRC Reset Wait Setup Command
29	Delay Setup Command
30	No Signal Counter Read Command
31	No Signal Counter Reset Command
32	No Signal Detection Output Enable Command
33	No Signal Detection Output Disable Command
34	Beep Command
35	FIR Coef Update Command
36	Software Reset Command
37	Firmware Version Number Command
38	Firmware Revision Number Command
39	PWM/SRC Status Read Command
40	Start Command with Mute
41	Start Command with Unmute
42	No Operation Command

Notes : In respect to detail command information, request New Japan Radio Co., Ltd.

[CAUTION]
 The specifications on this databook are only given for information , without any guarantee as regards either mistakes or omissions. The application circuits in this databook are described only to show representative usages of the product and not intended for the guarantee or permission of any right including the industrial rights.

Mouser Electronics

Authorized Distributor

Click to View Pricing, Inventory, Delivery & Lifecycle Information:

[NJR:](#)

[NJU26060-04A](#)

Компания «Океан Электроники» предлагает заключение долгосрочных отношений при поставках импортных электронных компонентов на взаимовыгодных условиях!

Наши преимущества:

- Поставка оригинальных импортных электронных компонентов напрямую с производств Америки, Европы и Азии, а так же с крупнейших складов мира;
- Широкая линейка поставок активных и пассивных импортных электронных компонентов (более 30 млн. наименований);
- Поставка сложных, дефицитных, либо снятых с производства позиций;
- Оперативные сроки поставки под заказ (от 5 рабочих дней);
- Экспресс доставка в любую точку России;
- Помощь Конструкторского Отдела и консультации квалифицированных инженеров;
- Техническая поддержка проекта, помощь в подборе аналогов, поставка прототипов;
- Поставка электронных компонентов под контролем ВП;
- Система менеджмента качества сертифицирована по Международному стандарту ISO 9001;
- При необходимости вся продукция военного и аэрокосмического назначения проходит испытания и сертификацию в лаборатории (по согласованию с заказчиком);
- Поставка специализированных компонентов военного и аэрокосмического уровня качества (Xilinx, Altera, Analog Devices, Intersil, Interpoint, Microsemi, Actel, Aeroflex, Peregrine, VPT, Syfer, Eurofarad, Texas Instruments, MS Kennedy, Miteq, Cobham, E2V, MA-COM, Hittite, Mini-Circuits, General Dynamics и др.);

Компания «Океан Электроники» является официальным дистрибьютором и эксклюзивным представителем в России одного из крупнейших производителей разъемов военного и аэрокосмического назначения «JONHON», а так же официальным дистрибьютором и эксклюзивным представителем в России производителя высокотехнологичных и надежных решений для передачи СВЧ сигналов «FORSTAR».



JONHON

«JONHON» (основан в 1970 г.)

Разъемы специального, военного и аэрокосмического назначения:

(Применяются в военной, авиационной, аэрокосмической, морской, железнодорожной, горно- и нефтедобывающей отраслях промышленности)

«FORSTAR» (основан в 1998 г.)

ВЧ соединители, коаксиальные кабели, кабельные сборки и микроволновые компоненты:

(Применяются в телекоммуникациях гражданского и специального назначения, в средствах связи, РЛС, а так же военной, авиационной и аэрокосмической отраслях промышленности).



Телефон: 8 (812) 309-75-97 (многоканальный)

Факс: 8 (812) 320-03-32

Электронная почта: ocean@oceanchips.ru

Web: <http://oceanchips.ru/>

Адрес: 198099, г. Санкт-Петербург, ул. Калинина, д. 2, корп. 4, лит. А