

NEW

High Current Connector

PS2 Series



■ Features

1. Power/Signal Hybrid Connector

The Hybrid design saves space by combining power

and signal contacts together in one unit with dedicated power contacts to handle 100, 200 or 300 Amps.

2. Floating Structure

The structure allows up to ± 2.5 mm of float in the X and Y directions, which makes mating easier even when the mating position is not clearly visible.

3. Sequential Contact System

This series utilizes sequential contacts, the power contacts mate before the signal contacts. This prevents incomplete mating and also prevents hot swapping.

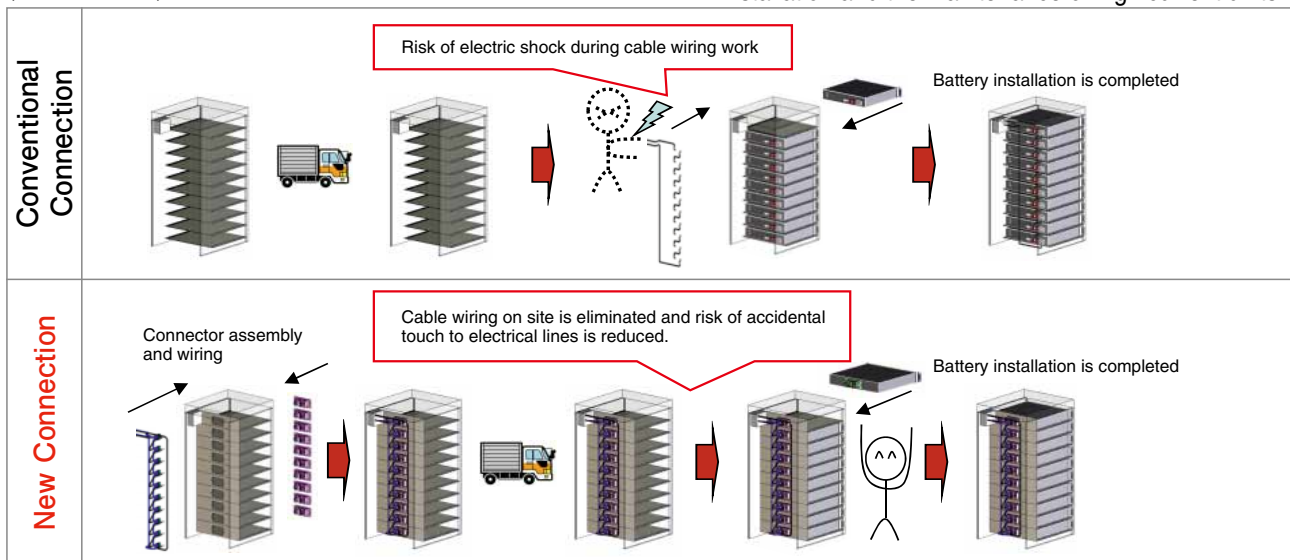
4. Finger Protection Structure

For added safety, the plug side (battery side) is designed to prevent shock hazard and provides for more user safety and security.

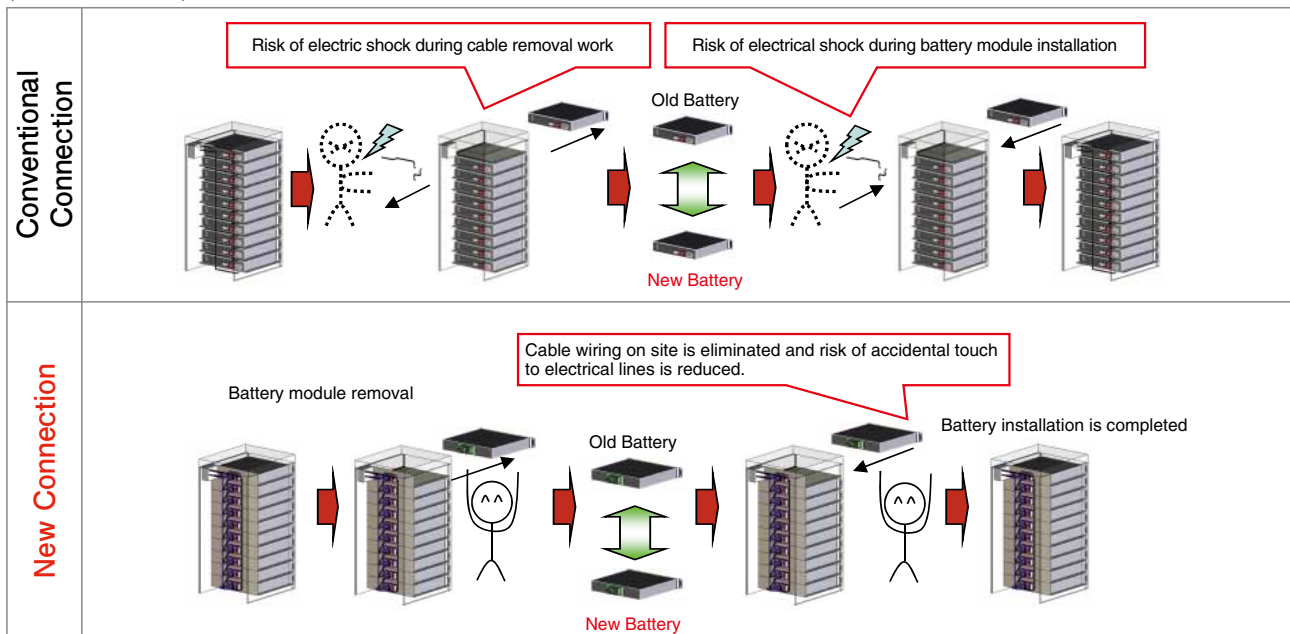
5. Plug-in Design

Its unique plug-in design provides enhanced safety features, reduced production costs related to its installation and the maintenance of high current units.

(Installation)



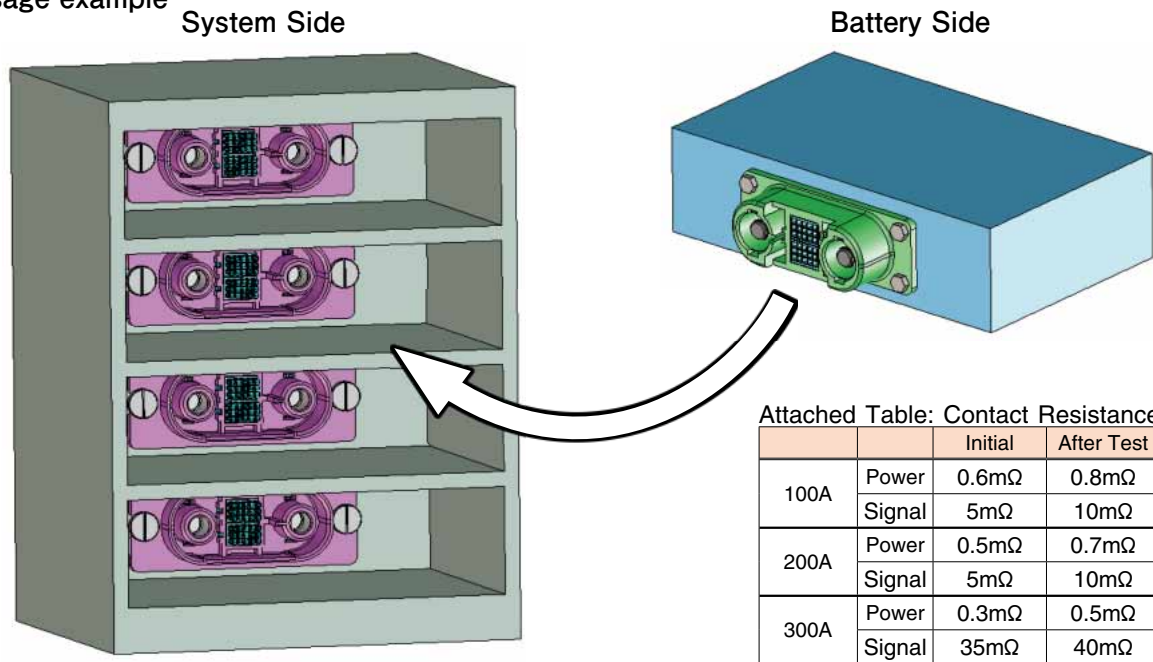
(Maintenance)



Applications

Storage Battery, UPS

Usage example



Attached Table: Contact Resistance

		Initial	After Test
100A	Power	0.6mΩ	0.8mΩ
	Signal	5mΩ	10mΩ
200A	Power	0.5mΩ	0.7mΩ
	Signal	5mΩ	10mΩ
300A	Power	0.3mΩ	0.5mΩ
	Signal	35mΩ	40mΩ

Product Specifications

Ratings	—	Power Part	Signal Part	Operating Temp. Range
	Current	300 A	5A	-40~105℃
		200 A		
		100 A		
Voltage	1,000 V	100V	Storage Temp. Range -55~60℃	

Item	Specifications	Conditions
1. Contact resistance	Attached table	Measured at DC 1 A Measured at DC 100 mA
2. Insulation resistance	5,000 MΩ or more	Measured at DC 250 V
3. Withstand voltage	No flashover or breakdown	Power: Apply AC 2,000 V for one minute Signal: Apply AC 1,000 V for one minute
4. Durability	Attached table	50 mating cycles
5. Shock resistance	No electrical discontinuity of 10 μs or more	Acceleration 490 m/s ² , duration 11 ms, half-sine wave, 3 times each for each of the 3 axes.
6. Vibration resistance	No electrical discontinuity of 10 μs or more	10 cycles in each of 3 axial directions at frequency 10-55 Hz, half amplitude 0.75 mm
7. Temperature cycles	Attached table Minimum of 1,000 MΩ	Temperature: -40 → 105℃ Time: 30 → 30 min
8. Salt water spray	No significant corrosion	5% salt water spray concentration while keeping samples at 35℃ for 48 hours.

Materials

Receptacle

Parts	Materials	Color/Treatment	Remarks
Insulation case	Synthetic resin	Black	UL94V-0
Power contact	Brass/Copper alloy	Silver plating	—
Contact spring	Copper alloy	Silver plating	—
Rotation stopper	Synthetic resin	Black	UL94V-0
Crimp case	Synthetic resin	Black	UL94V-0
Signal contact	Copper alloy	Gold plating	—
Floating screw	Stainless steel/Steel	—/Trivalent chrome	—

Plug

Parts	Materials	Color/Treatment	Remarks
Insulation case	Synthetic resin	Black	UL94V-0
Power contact	Brass/Copper alloy	Silver plating	—
Rotation stopper	Synthetic resin	Black	UL94V-0
Cap	Synthetic resin	Black	UL94V-0
Crimp case	Synthetic resin	Black	UL94V-0
Signal contact	Copper alloy	Gold plating	—

Product Number Structure

Refer to the charts below for determining specific part number characteristics.

Please select connectors listed in this catalog when placing orders and be sure to check the latest delivery specifications at the time of ordering the product.

Connector

PS2 - 2 WP / 6C / 6C

1 2 3 4 5 6

Crimp Case

PS2 - 6 PC

1 7 8

Crimp Contact

PS2 - 1618 P C F A

1 9 4 10 11 12

1	Series name
2	No. of power contacts
3	R: 100A V: 200A W: 300A
4	P: Male S: Female
5	Signal contact block 1
6	Signal contact block 2
7	No. of signal contacts
8	PC: Male crimp case SC: Female crimp case
9	Applicable wires of signal contact 16-18 AWG
10	Crimp contact
11	F: Reel contacts None: Loose piece contacts
12	Gold plating

List of Combinations

300 A type

Male: PS2-2WP/6C/6C + PS2-6PC + PS2-1618PCFA

Female: PS2-2WS/6C/6C + PS2-6SC + PS2-1618SCFA

200 A type

Male: PS2-2VP/42C + $\begin{cases} \text{PS2-18PC} \\ \text{PS2-42PC} \end{cases}$ + $\begin{cases} \text{PQ50SA-1822PCFA} \\ \text{PQ50SA-2428PCFA} \\ \text{PQ50SA-1822PCFA} \\ \text{PQ50SA-2428PCFA} \end{cases}$

Female: PS2-2VS/42C + $\begin{cases} \text{PS2-18SC} \\ \text{PS2-42SC} \end{cases}$ + $\begin{cases} \text{PQ50S-1822SCFA} \\ \text{PQ50S-2428SCFA} \\ \text{PQ50S-1822SCFA} \\ \text{PQ50S-2428SCFA} \end{cases}$

100 A type

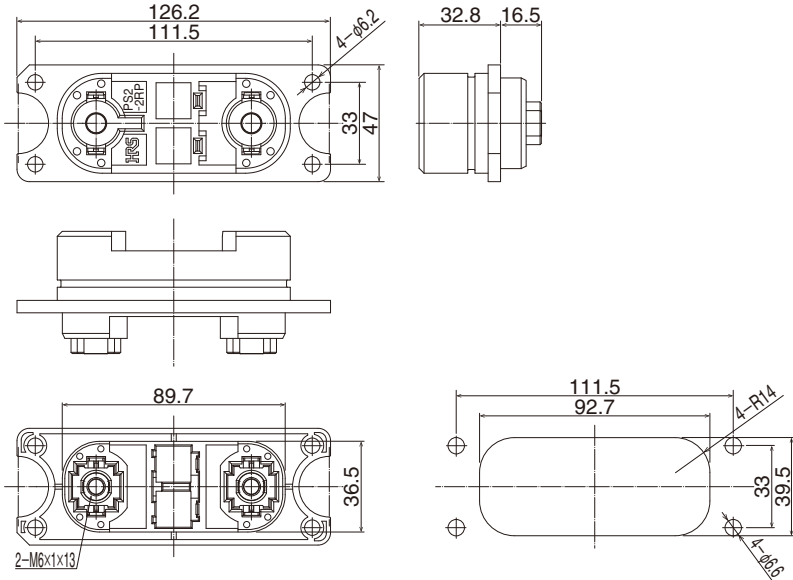
Male: PS2-2RP/9C/9C + PS2-9PC + $\begin{cases} \text{PQ50SA-1822PCFA} \\ \text{PQ50SA-2428PCFA} \end{cases}$

Female: PS2-2RS/9C/9C + PS2-9SC + $\begin{cases} \text{PQ50S-1822SCFA} \\ \text{PQ50S-2428SCFA} \end{cases}$

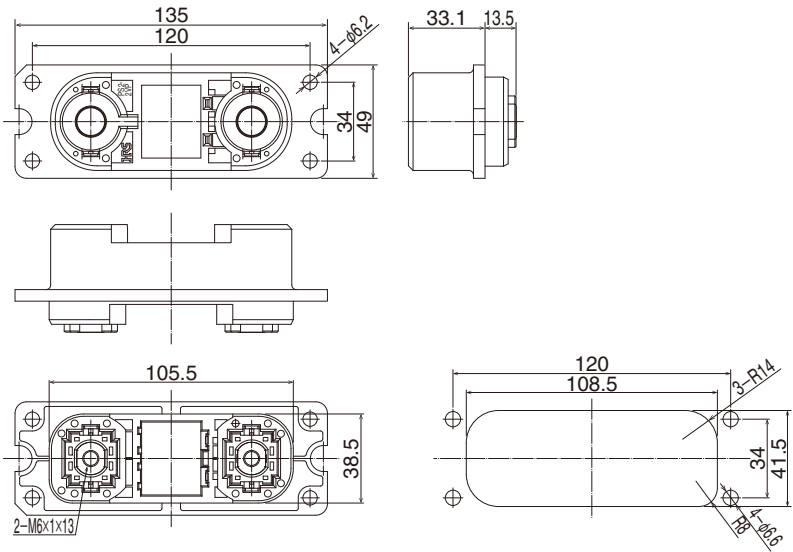
Plug

Current	Part Number	HRS No.	Sales Unit	RoHS
100A	PS2-2RP/9C/9C	CL236-1036-0-00	Each	○
200A	PS2-2VP/42C	CL236-1060-4-00		○
300A	PS2-2WP/6C/6C	CL236-1032-9-00		○

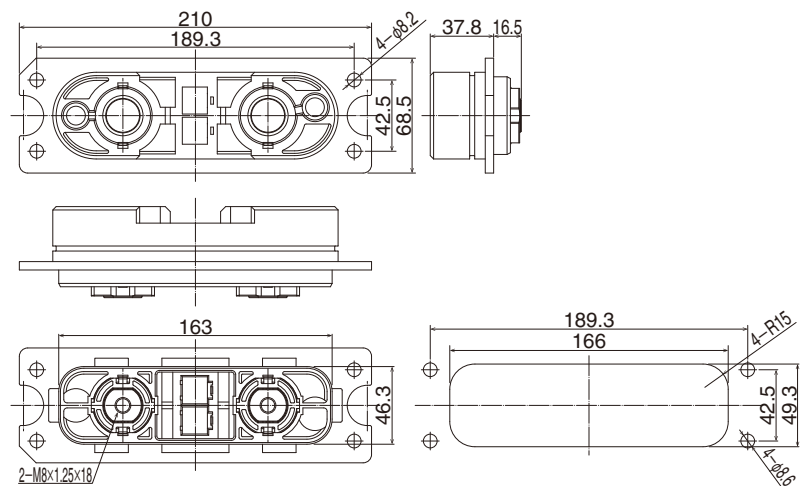
◇100A



◇200A



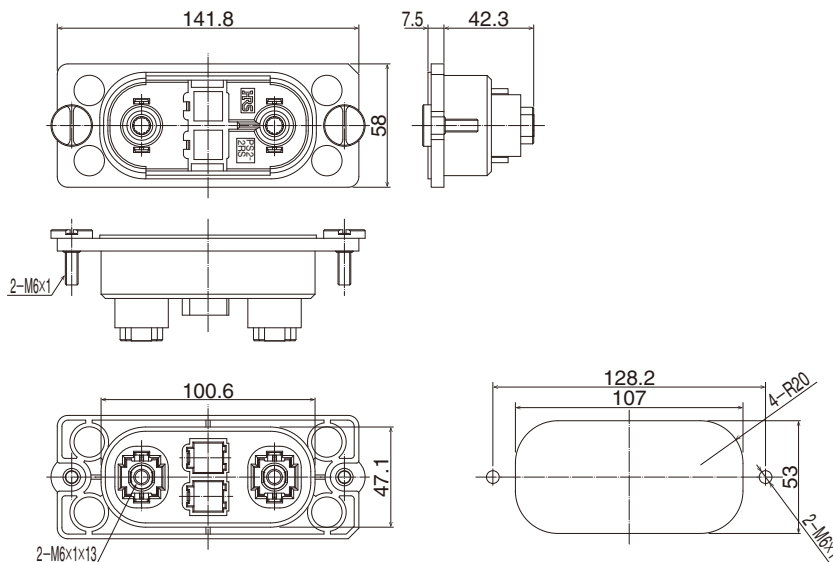
◇300A



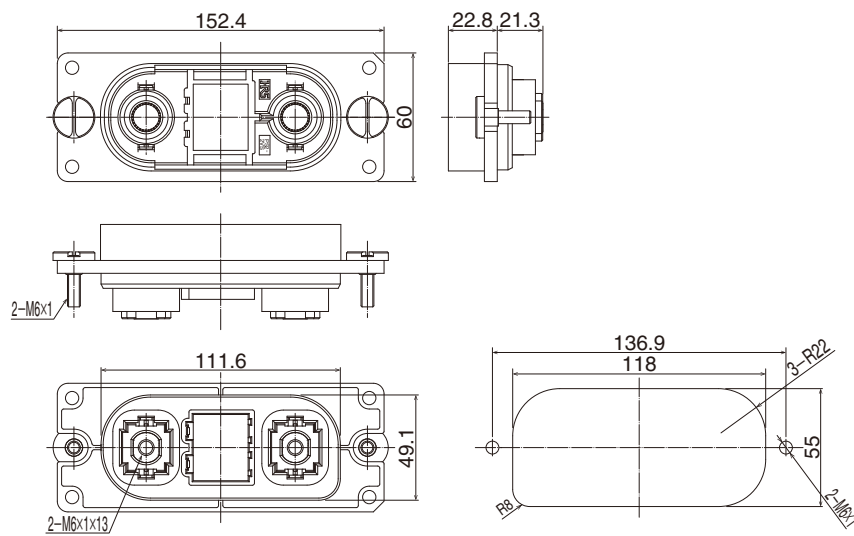
Receptacle

Current	Part Number	HRS No.	Sales Unit	RoHS
100A	PS2-2RS/9C/9C	CL236-1037-2-00	Each	○
200A	PS2-2VS/42C	CL236-1046-3-00		○
300A	PS2-2WS/6C/6C	CL236-1033-1-00		○

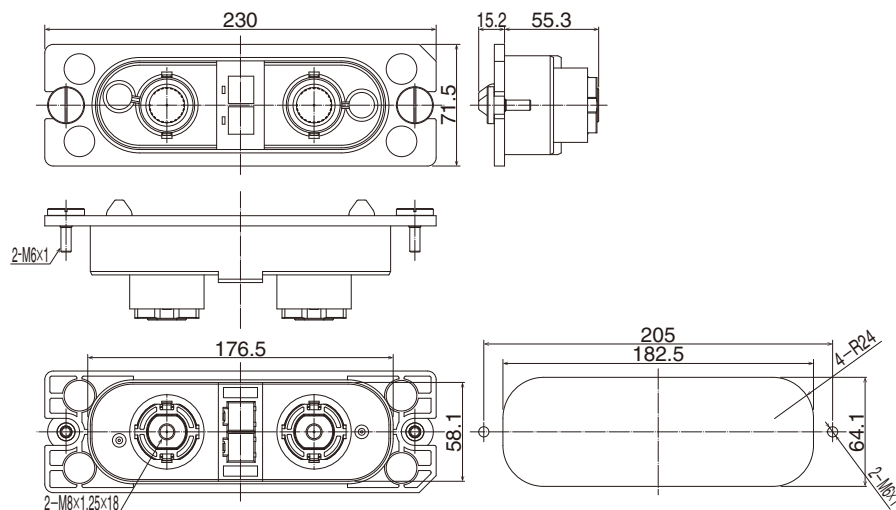
◇100A



◇200A



◇300A



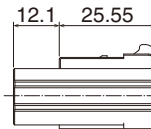
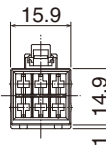
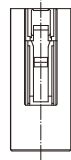
■ Crimp Contact Housing

Part Number	HRS No.	Sales Unit	RoHS
PS2-6PC	CL236-1034-4-00	100 pieces per bag	○
PS2-6SC	CL236-1035-7-00		○
PS2-9PC	CL236-1038-5-00		○
PS2-9SC	CL236-1039-8-00		○

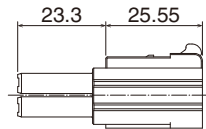
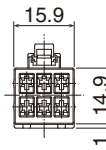
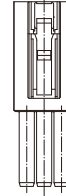
Part Number	HRS No.	Sales Unit	RoHS
PS2-18PC	CL236-1049-1-00	50 pieces per bag	○
PS2-18SC	CL236-1050-0-00		○
PS2-42PC	CL236-1047-6-00		○
PS2-42SC	CL236-1048-9-00		○



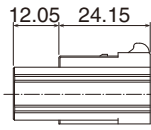
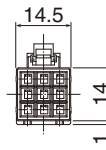
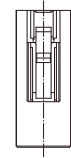
● PS2-6PC



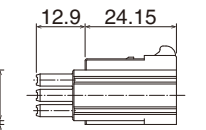
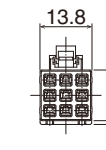
● PS2-6SC



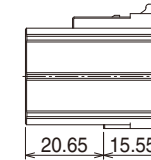
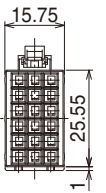
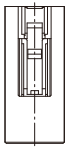
● PS2-9PC



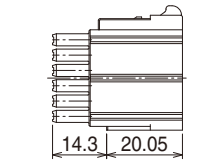
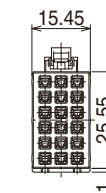
● PS2-9SC



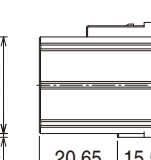
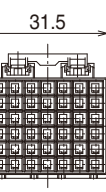
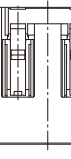
● PS2-18PC



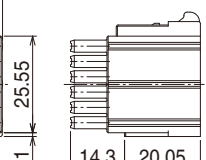
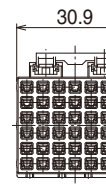
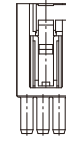
● PS2-18SC



● PS2-42PC



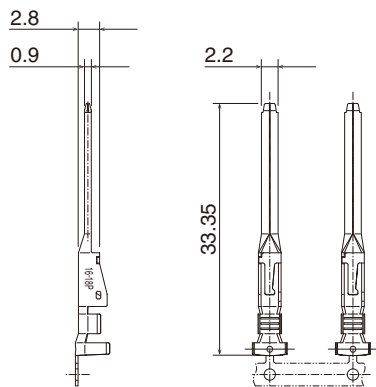
● PS2-42SC



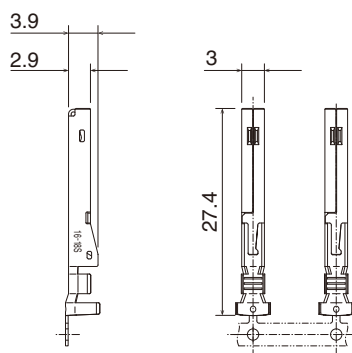
Crimp Contact

Part number	HRS No.	Sales Unit	RoHS
PS2-1618PCFA	CL236-1028-1-00	3500 per reel	○
PS2-1618PCA	CL236-1051-3-00	100 pieces per bag	○
PS2-1618SCFA	CL236-1029-4-00	3500 per reel	○
PS2-1618SCA	CL236-1052-6-00	100 pieces per bag	○
PQ50SA-1822PCFA	CL236-2029-0-00	6000 per reel	○
PQ50SA-1822PCA	CL236-2048-4-00	100 pieces per bag	○
PQ50SA-2428PCFA	CL236-2030-9-00	6000 per reel	○
PQ50SA-2428PCA	CL236-2049-7-00	100 pieces per bag	○
PQ50S-1822SCFA	CL236-2026-1-00	6000 per reel	○
PQ50S-1822SCA	CL236-2050-6-00	100 pieces per bag	○
PQ50S-2428SCFA	CL236-2028-7-00	6000 per reel	○
PQ50S-2428SCA	CL236-2051-9-00	100 pieces per bag	○

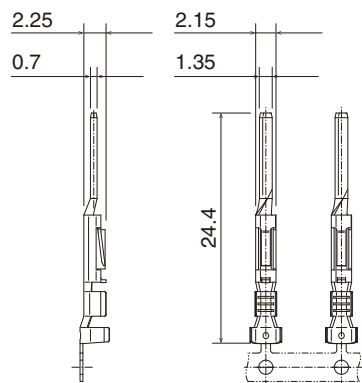
PS2-1618PCFA



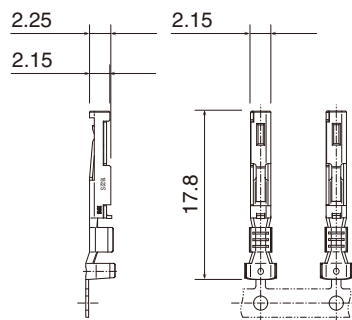
PS2-1618SCFA



PQ50SA-1822PCFA 2428



PQ50S-1822SCFA 2428



USA:

HIROSE ELECTRIC (U.S.A.), INC. Headquarters
 2688 Westhills Court, Simi Valley, CA 93065-6235
 Phone : +1-805-522-7958
 Fax : +1-805-522-3217
<http://www.hiroseusa.com>

USA:

HIROSE ELECTRIC (U.S.A.), INC. San Jose Office
 3255 Scott Boulevard, Building 7, Suite 101
 Santa Clara, CA 95054
 Phone : +1-408-253-9640
 Fax : +1-408-253-9641
<http://www.hiroseusa.com>

USA:

HIROSE ELECTRIC (U.S.A.), INC. Detroit Office (Automotive)
 37677 Professional Center Drive, Suite #100C
 Livonia, MI 48154
 Phone : +1-734-542-9963
 Fax : +1-734-542-9964
<http://www.hiroseusa.com>

THE NETHERLANDS:

HIROSE ELECTRIC EUROPE B.V.
 Hogehillweg #8 1101 CC Amsterdam Z-O
 Phone : +31-20-6557460
 Fax : +31-20-6557469
<http://www.hiroseeurope.com>

GERMANY:

HIROSE ELECTRIC EUROPE B.V. German Branch
 Herzog-Carl-Strasse 4 D-73760 Ostfildern
 (Scharnhauser Park)
 Phone : +49-711-4560-02-1
 Fax : +49-711-4560-02-299
<http://www.hirose.de>

UNITED KINGDOM:

HIROSE ELECTRIC EUROPE B.V. UK Branch
 22 Vincent Avenue, Crownhill Business
 Centre, Crownhill, Milton Keynes, MK8 0AB
 Phone : +44-1908-305750
 Fax : +44-1908-305768
<http://www.hirose.co.uk>

CHINA:

HIROSE ELECTRIC TRADING (SHANGHAI) CO., LTD.
 1601, Henderson Metropolitan, NO.300, East Nanjing
 Road, Huangpu District, Shanghai, China 200001
 Phone : +86-21-6391-3355
 Fax : +86-21-6391-3335
<http://www.hirose-china.com.cn>

CHINA:

HIROSE ELECTRIC TRADING (SHANGHAI) CO., LTD. Beijing Branch
 A1001, Ocean International Center, Building 56# East 4th
 Ring Middle Road, Chao Yang District, Beijing, 100025
 Phone : +86-10-5165-9332
 Fax : +86-10-5908-1381
<http://www.hirose-china.com.cn>

CHINA:

HIROSE ELECTRIC TECHNOLOGIES (SHENZHEN) CO., LTD.
 Room 09-13, 19/F, Office Tower Shun Hing Square, Di Wang Commercial Centre
 5002, ShenNanDong Road, ShenZhen City, Guangdong Province, 518008
 Phone : +86-755-8207-0851
 Fax : +86-755-8207-0873
<http://www.hirose-china.com.cn>

HONG KONG:

HIROSE ELECTRIC HONGKONG TRADING CO., LTD.
 Room 1001, West Wing, Tsim Sha Tsui Centre, 66
 Mody Road, Tsim Sha Tsui East, Kowloon, Hong Kong
 Phone : +852-2803-5338
 Fax : +852-2591-6560
<http://www.hirose-hongkong.com.hk>

TAIWAN:

HIROSE ELECTRIC TAIWAN CO., LTD.
 103 8F, No.87, Zhengzhou Rd., Taipei
 Phone : +886-2-2555-7377
 Fax : +886-2-2555-7350
<http://www.hirose-taiwan.com.tw>

KOREA:

HIROSE KOREA CO., LTD.
 1261-10, Jeoungwhang-Dong, Shihung-City,
 Kyunggi-Do 429-450
 Phone : +82-31-496-7000,7124
 Fax : +82-31-496-7100
<http://www.hirose.co.kr>

SINGAPORE:

HIROSE ELECTRIC SINGAPORE PTE. LTD.
 10 Anson Road #26-1 International Plaza
 079903
 Phone : +65-6324-6113
 Fax : +65-6324-6123
<http://www.hirose-singapore.com.sg>

INDIA:

HIROSE ELECTRIC SINGAPORE PTE. LTD. Bangalore Liaison office
 Unit No.03, Ground Floor, Explorer Building International Tech
 Park Whitefield Road, Bangalore 560066 Karnataka, India
 Phone : +65-6324-6113
 Fax : +65-6324-6123
<http://www.hirose-singapore.com.sg>

INDIA:

HIROSE ELECTRIC SINGAPORE PTE. LTD Delhi Liaison Office
 Suite No. 606 5th Floor SB Tower 1A/1 Sector
 16 A Filmcity Noida 201301 Uttar Pradesh-India
 Phone : +91-120-4804917
 Fax : +91-120-4804949
<http://www.hirose.com/sg/>

MALAYSIA:

HIROSE ELECTRIC SINGAPORE PTE. LTD (Representative office)
 1-10-07, Suntech @ Penang Cybercity (1164), Lintang
 Mayang Pasir 3, 11950, Bayan Baru, Penang, Malaysia.
 Phone : +604-619-2564
 Fax : +604-619-2574
<http://www.hirose.com/sg/>



HIROSE ELECTRIC CO.,LTD.

6-3,Nakagawa Chuoh-2-Chome,Tsuzuki-Ku,Yokohama-Shi 224-8540,JAPAN
 TEL: +81-45-620-3526 Fax: +81-45-591-3726
<http://www.hirose.com>
<http://www.hirose-connectors.com>

Компания «Океан Электроники» предлагает заключение долгосрочных отношений при поставках импортных электронных компонентов на взаимовыгодных условиях!

Наши преимущества:

- Поставка оригинальных импортных электронных компонентов напрямую с производств Америки, Европы и Азии, а так же с крупнейших складов мира;
- Широкая линейка поставок активных и пассивных импортных электронных компонентов (более 30 млн. наименований);
- Поставка сложных, дефицитных, либо снятых с производства позиций;
- Оперативные сроки поставки под заказ (от 5 рабочих дней);
- Экспресс доставка в любую точку России;
- Помощь Конструкторского Отдела и консультации квалифицированных инженеров;
- Техническая поддержка проекта, помощь в подборе аналогов, поставка прототипов;
- Поставка электронных компонентов под контролем ВП;
- Система менеджмента качества сертифицирована по Международному стандарту ISO 9001;
- При необходимости вся продукция военного и аэрокосмического назначения проходит испытания и сертификацию в лаборатории (по согласованию с заказчиком);
- Поставка специализированных компонентов военного и аэрокосмического уровня качества (Xilinx, Altera, Analog Devices, Intersil, Interpoint, Microsemi, Actel, Aeroflex, Peregrine, VPT, Syfer, Eurofarad, Texas Instruments, MS Kennedy, Miteq, Cobham, E2V, MA-COM, Hittite, Mini-Circuits, General Dynamics и др.);

Компания «Океан Электроники» является официальным дистрибьютором и эксклюзивным представителем в России одного из крупнейших производителей разъемов военного и аэрокосмического назначения «JONHON», а так же официальным дистрибьютором и эксклюзивным представителем в России производителя высокотехнологичных и надежных решений для передачи СВЧ сигналов «FORSTAR».



JONHON

«JONHON» (основан в 1970 г.)

Разъемы специального, военного и аэрокосмического назначения:

(Применяются в военной, авиационной, аэрокосмической, морской, железнодорожной, горно- и нефтедобывающей отраслях промышленности)

«FORSTAR» (основан в 1998 г.)

ВЧ соединители, коаксиальные кабели, кабельные сборки и микроволновые компоненты:

(Применяются в телекоммуникациях гражданского и специального назначения, в средствах связи, РЛС, а так же военной, авиационной и аэрокосмической отраслях промышленности).



Телефон: 8 (812) 309-75-97 (многоканальный)

Факс: 8 (812) 320-03-32

Электронная почта: ocean@oceanchips.ru

Web: <http://oceanchips.ru/>

Адрес: 198099, г. Санкт-Петербург, ул. Калинина, д. 2, корп. 4, лит. А