

ELCO EUROPE (A DIVISION OF AVX LTD.) CONFIDENTIAL PROPRIETARY  
 THE DRAWING ON THIS PRINT AND INFORMATION THEREWITH ARE  
 PROPRIETARY TO ELCO EUROPE (A DIVISION OF AVX LTD.) AND  
 SHALL NOT BE USED OR DISCUSSED IN WHOLE OR IN PART  
 WITHOUT ELCO EUROPE'S WRITTEN CONSENT.

00-9276-00X-021-X06



PREFIX \_\_\_\_\_

CODE	TYPE
00	WIRE TO BOARD CONNECTOR

SERIES \_\_\_\_\_

NO. OF WAYS \_\_\_\_\_

CODE	NO. OF WAYS	DETAILS
001	1	SHEET 2
002	2	SHEET 3
003	3	SHEET 4
004	4	SHEET 5
006	6	SHEET 6
008	8	SHEET 7

STYLE \_\_\_\_\_

CODE	CONNECTOR STYLE
0	HORIZONTAL MOUNTING

WIRE SIZE \_\_\_\_\_

CODE	WIRE GAUGE	MAX CONDUCTOR	MAX INSULATION
21	18 TO 24 AWG	1.20mm DIAMETER	2.10mm DIAMETER

INSULATOR COLOUR \_\_\_\_\_

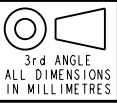
CODE	COLOUR	AVAILABILITY
0	BLACK	SPECIAL ORDER
1	WHITE	STANDARD

PLATING OPTION \_\_\_\_\_

CODE	CONTACT
06	TIN ALL OVER

FORM-106-01-056-6 ISS 7

Release No.  
History  
102631



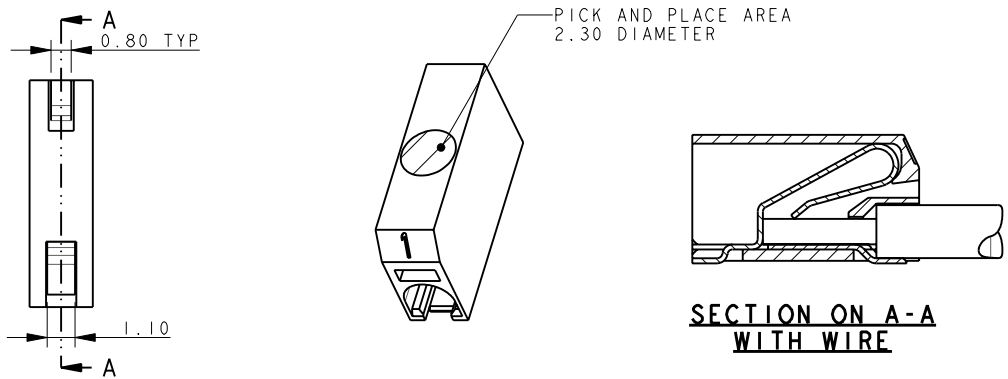
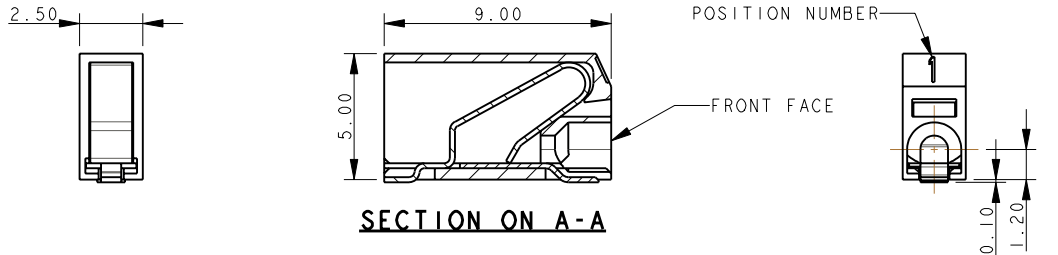
Drawn  
N.C.H.  
Size  
CV

Description  
18-24 AWG WIRE TO BOARD CONNECTOR  
Part Number  
00-9276-01\_00S

DATE  
01-Oct-09  
Issue  
E

# 1 WAY WIRE TO BOARD CONNECTOR

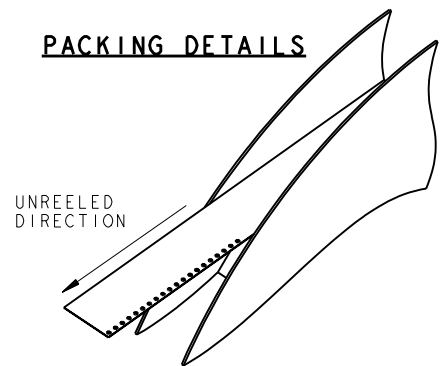
ELCO EUROPE (A DIVISION OF AVX LTD.) CONFIDENTIAL PROPRIETARY  
 THE DRAWING ON THIS PRINT AND INFORMATION THEREWITH ARE  
 PROPRIETARY TO ELCO EUROPE (A DIVISION OF AVX LTD.) AND  
 SHALL NOT BE USED OR DISCUSSED IN WHOLE OR IN PART  
 WITHOUT ELCO EUROPE'S WRITTEN CONSENT.



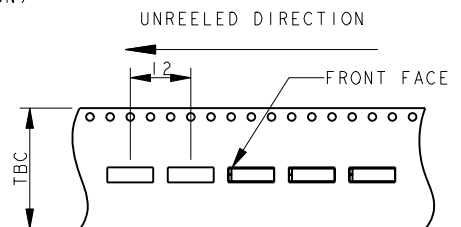
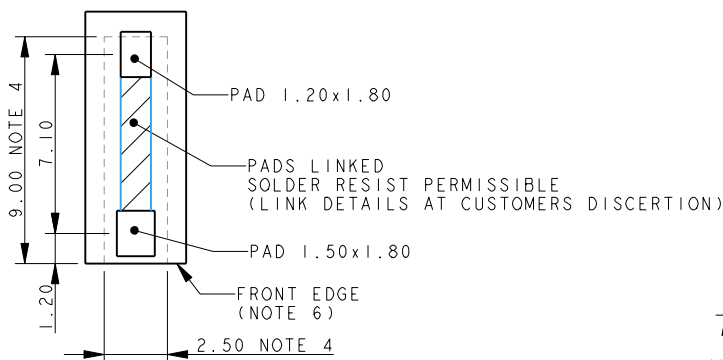
## NOTES :-

1. 9276 ONE WAY CONNECTOR, REFER TO ELCO SPECIFICATION 201-01-125 FOR FURTHER DETAILS.
2. INSULATION MATERIAL :- NYLON 46, GLASS FILLED, UL94 V-0, COLOUR REFER TO SHEET 1.
3. CONTACT MATERIAL :- COPPER ALLOY, 0.20mm THICK, TIN PLATED.
4. OUTLINE OF CONNECTOR.
5. WIRE ASSEMBLY/EXTRACTION, REFER TO SHEET 8.
6. FRONT FACE OF CONNECTOR CAN BE IN LINE WITH EDGE OF PCB.
7. PACKING IN TAPE AND REEL, QUANTITY 1000 PER REEL.

## PACKING DETAILS



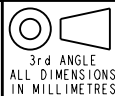
## 1 WAY PCB BOARD LAYOUT



ELCO EUROPE (A DIVISION OF AVX LTD.) CONFIDENTIAL PROPRIETARY  
 THE DRAWING ON THIS PRINT AND INFORMATION THEREWITH ARE  
 PROPRIETARY TO ELCO EUROPE (A DIVISION OF AVX LTD.) AND  
 SHALL NOT BE USED OR DISCLOSED IN WHOLE OR IN PART  
 WITHOUT ELCO EUROPE'S WRITTEN CONSENT.

SHEET 2 OF 8

Release No.  
 History  
 102631



**ELCO**

© COPYRIGHT ELCO EUROPE  
 NOT TO BE DISCLOSED OR COPIED  
 WITHOUT WRITTEN PERMISSION

Drawn  
 N.C.H.

Size  
 CV

Description  
 18-24 AWG WIRE TO BOARD CONNECTOR

Part Number  
 00-9276-01\_000S

DATE  
 13-Nov-09

Issue  
 E

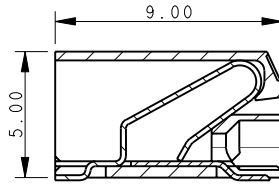
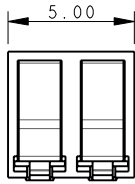
A

I

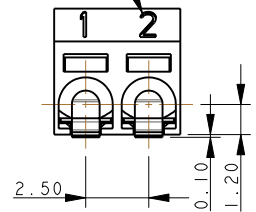
B

## 2 WAY WIRE TO BOARD CONNECTOR

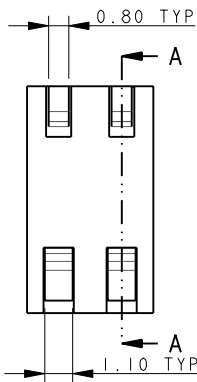
ELCO EUROPE (A DIVISION OF AVX LTD.) CONFIDENTIAL PROPRIETARY  
 THE DRAWING ON THIS PRINT AND INFORMATION THEREWITH ARE  
 PROPRIETARY TO ELCO EUROPE (A DIVISION OF AVX LTD.) AND  
 SHALL NOT BE USED OR DISCUSSED IN WHOLE OR IN PART  
 WITHOUT ELCO EUROPE'S WRITTEN CONSENT.



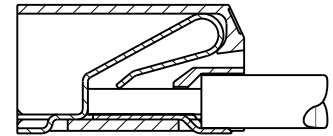
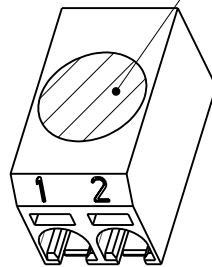
POSITION NUMBER



**SECTION ON A-A**



PICK AND PLACE AREA  
4.50 DIAMETER

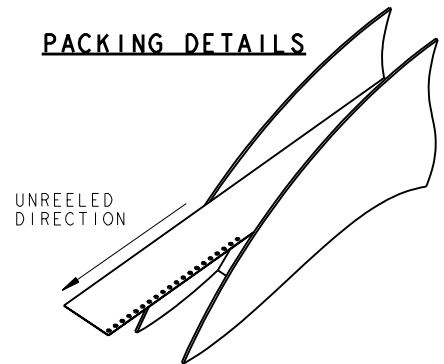


**SECTION ON A-A  
WITH WIRE**

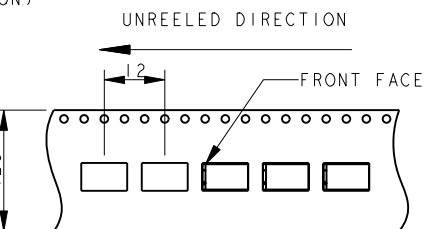
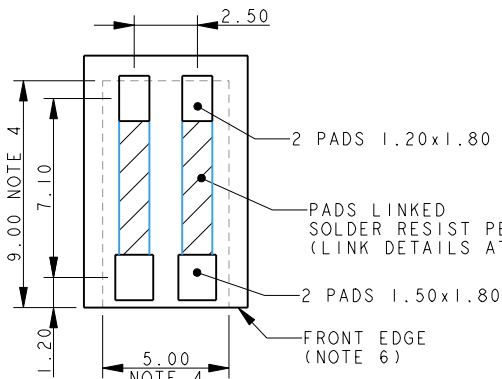
**NOTES :-**

1. 9276 TWO WAY CONNECTOR, REFER TO ELCO SPECIFICATION 201-01-125 FOR FURTHER DETAILS.
2. INSULATION MATERIAL :- NYLON 46, GLASS FILLED, UL94 V-0, COLOUR REFER TO SHEET 1.
3. CONTACT MATERIAL :- COPPER ALLOY, 0.20mm THICK, TIN PLATED.
4. OUTLINE OF CONNECTOR.
5. WIRE ASSEMBLY/EXTRACTION, REFER TO SHEET 8.
6. FRONT FACE OF CONNECTOR CAN BE IN LINE WITH EDGE OF PCB.
7. PACKING IN TAPE AND REEL, QUANTITY 1000 PER REEL.

**PACKING DETAILS**



**2 WAY PCB BOARD LAYOUT**



ELCO EUROPE (A DIVISION OF AVX LTD.) CONFIDENTIAL PROPRIETARY  
 THE DRAWING ON THIS PRINT AND INFORMATION THEREWITH ARE  
 PROPRIETARY TO ELCO EUROPE (A DIVISION OF AVX LTD.) AND  
 SHALL NOT BE USED OR DISCLOSED IN WHOLE OR IN PART  
 WITHOUT ELCO EUROPE'S WRITTEN CONSENT.

SHEET 3 OF 8

Release No.  
History  
102631

3rd ANGLE  
ALL DIMENSIONS  
IN MILLIMETRES

**ELCO**

© COPYRIGHT ELCO EUROPE  
 NOT TO BE DISCLOSED OR COPIED  
 WITHOUT WRITTEN PERMISSION

Drawn  
N.C.H.

Size  
CV

Description  
18-24 AWG WIRE TO BOARD CONNECTOR

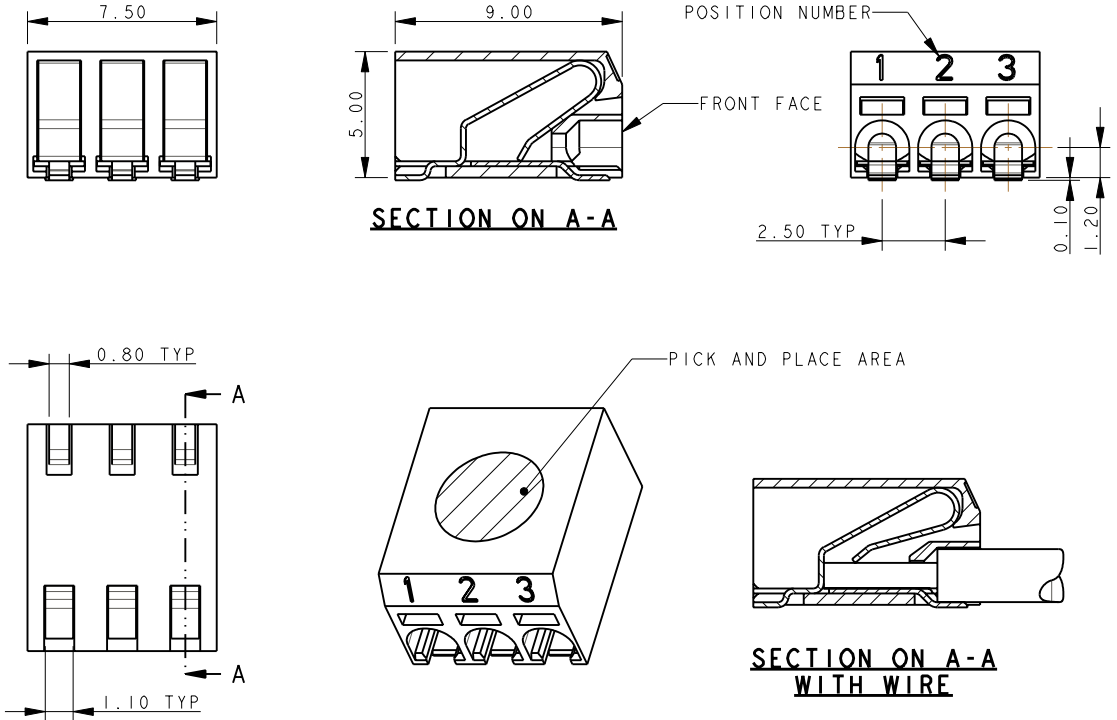
Part Number  
00-9276-01\_000S

DATE  
13-Nov-09

Issue  
E

# 3 WAY WIRE TO BOARD CONNECTOR

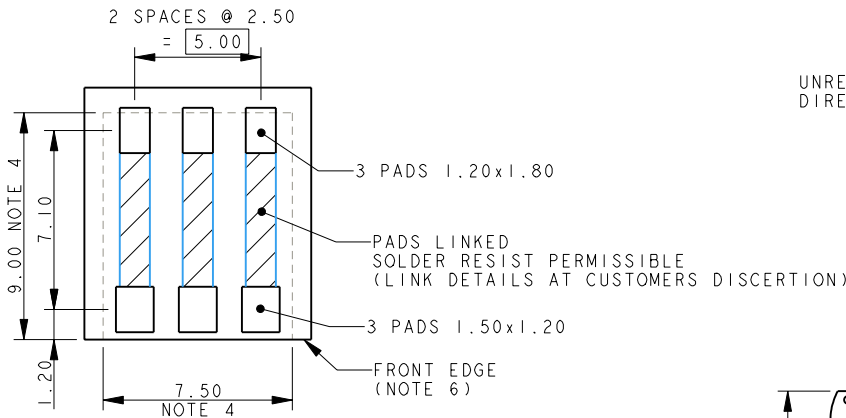
ELCO EUROPE (A DIVISION OF AVX LTD.) CONFIDENTIAL PROPRIETARY  
 THE DRAWING ON THIS PRINT AND INFORMATION THEREWITH ARE  
 PROPRIETARY TO ELCO EUROPE (A DIVISION OF AVX LTD.) AND  
 SHALL NOT BE USED OR DISCUSSED IN WHOLE OR IN PART  
 WITHOUT ELCO EUROPE'S WRITTEN CONSENT.



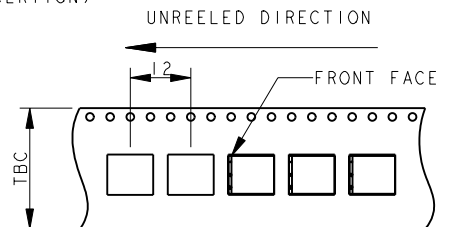
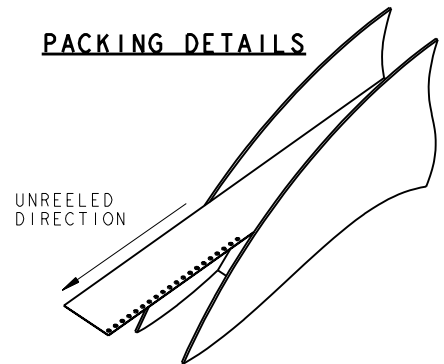
**NOTES :-**

1. 9276 THREE WAY CONNECTOR, REFER TO ELCO SPECIFICATION 201-01-125 FOR FURTHER DETAILS.
2. INSULATION MATERIAL :- NYLON 46, GLASS FILLED, UL94 V-0, COLOUR REFER TO SHEET 1.
3. CONTACT MATERIAL :- COPPER ALLOY, 0.20mm THICK, TIN PLATED.
4. OUTLINE OF CONNECTOR.
5. WIRE ASSEMBLY/EXTRACTION, REFER TO SHEET 8.
6. FRONT FACE OF CONNECTOR CAN BE IN LINE WITH EDGE OF PCB.
7. PACKING IN TAPE AND REEL, QUANTITY 1000 PER REEL.

## 3 WAY PCB BOARD LAYOUT



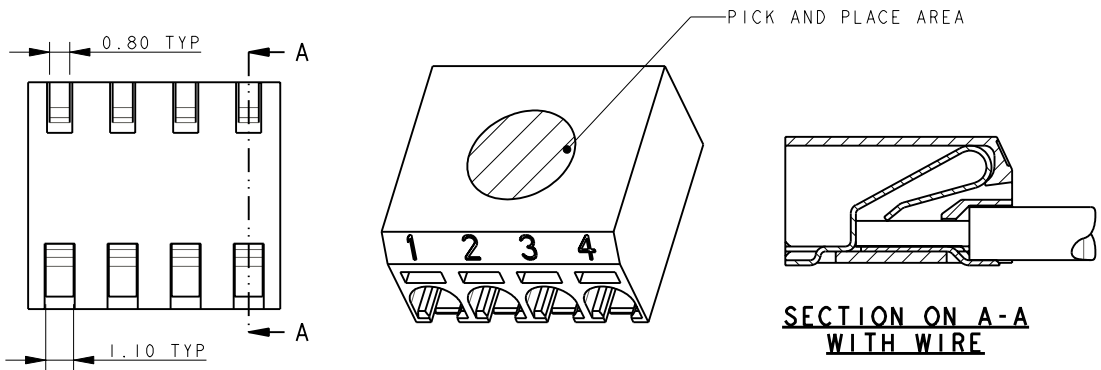
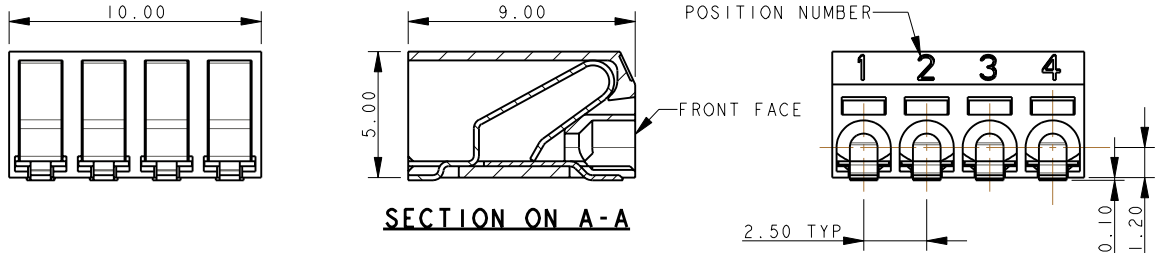
## PACKING DETAILS



ELCO EUROPE (A DIVISION OF AVX LTD.) CONFIDENTIAL PROPRIETARY  
 THE DRAWING ON THIS PRINT AND INFORMATION THEREWITH ARE  
 PROPRIETARY TO ELCO EUROPE (A DIVISION OF AVX LTD.) AND  
 SHALL NOT BE USED OR DISCUSSED IN WHOLE OR IN PART  
 WITHOUT ELCO EUROPE'S WRITTEN CONSENT.

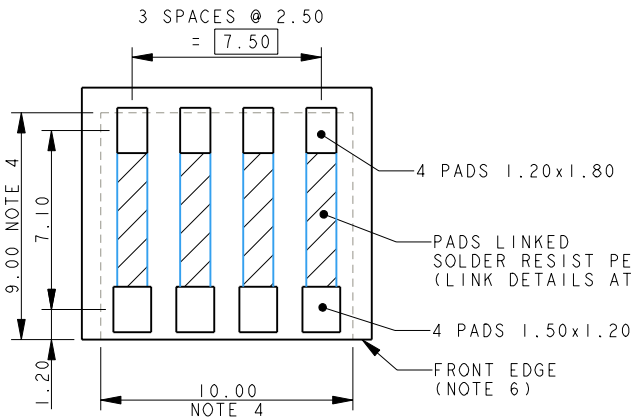
# 4 WAY WIRE TO BOARD CONNECTOR

ELCO EUROPE (A DIVISION OF AVX LTD.) CONFIDENTIAL PROPRIETARY  
 THE DRAWING ON THIS PRINT AND INFORMATION THEREWITH ARE  
 PROPRIETARY TO ELCO EUROPE (A DIVISION OF AVX LTD.) AND  
 SHALL NOT BE USED OR DISCUSSED IN WHOLE OR IN PART  
 WITHOUT ELCO EUROPE'S WRITTEN CONSENT.

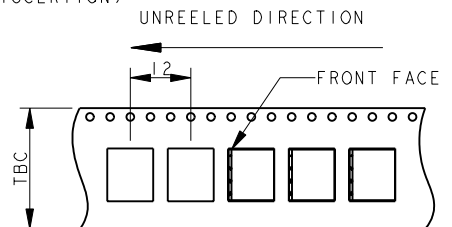
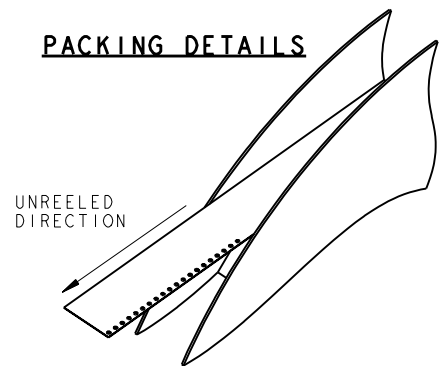


- NOTES :-
1. 9276 FOUR WAY CONNECTOR, REFER TO ELCO SPECIFICATION 201-01-125 FOR FURTHER DETAILS.
  2. INSULATION MATERIAL :- NYLON 46, GLASS FILLED, UL94 V-0, COLOUR REFER TO SHEET 1.
  3. CONTACT MATERIAL :- COPPER ALLOY, 0.20mm THICK, TIN PLATED.
  4. OUTLINE OF CONNECTOR.
  5. WIRE ASSEMBLY/EXTRACTION, REFER TO SHEET 8.
  6. FRONT FACE OF CONNECTOR CAN BE IN LINE WITH EDGE OF PCB.
  7. PACKING IN TAPE AND REEL, QUANTITY 1000 PER REEL.

## 4 WAY PCB BOARD LAYOUT



## PACKING DETAILS



ELCO EUROPE (A DIVISION OF AVX LTD.) CONFIDENTIAL PROPRIETARY  
 THE DRAWING ON THIS PRINT AND INFORMATION THEREWITH ARE  
 PROPRIETARY TO ELCO EUROPE (A DIVISION OF AVX LTD.) AND  
 SHALL NOT BE USED OR DISCLOSED IN WHOLE OR IN PART  
 WITHOUT ELCO EUROPE'S WRITTEN CONSENT.

SHEET 5 OF 8

Release No.  
 History  
 102631

3rd ANGLE  
 ALL DIMENSIONS  
 IN MILLIMETRES

**ELCO**  
 © COPYRIGHT ELCO EUROPE  
 NOT TO BE DISCLOSED OR COPIED  
 WITHOUT WRITTEN PERMISSION

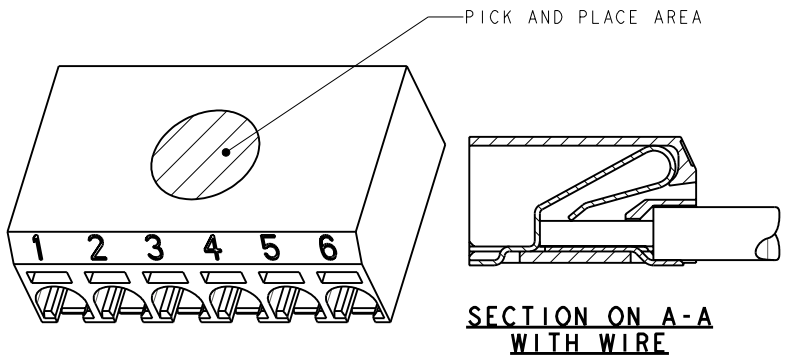
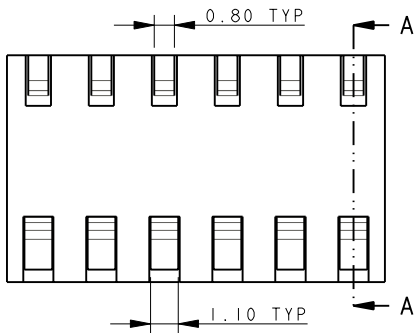
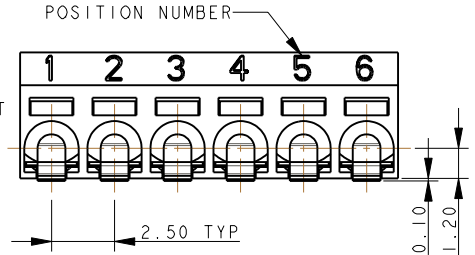
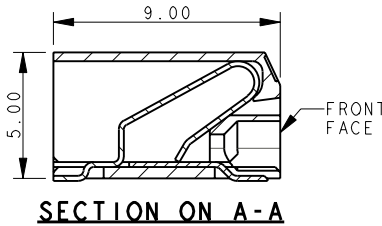
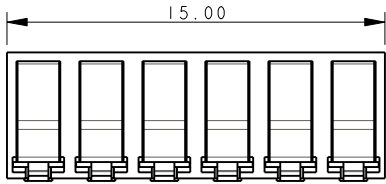
Drawn  
 N.C.H.  
 Size  
 CV

Description  
 18-24 AWG WIRE TO BOARD CONNECTOR  
 Part Number  
 00-9276-01\_000S

DATE  
 13-Nov-09  
 Issue  
 E

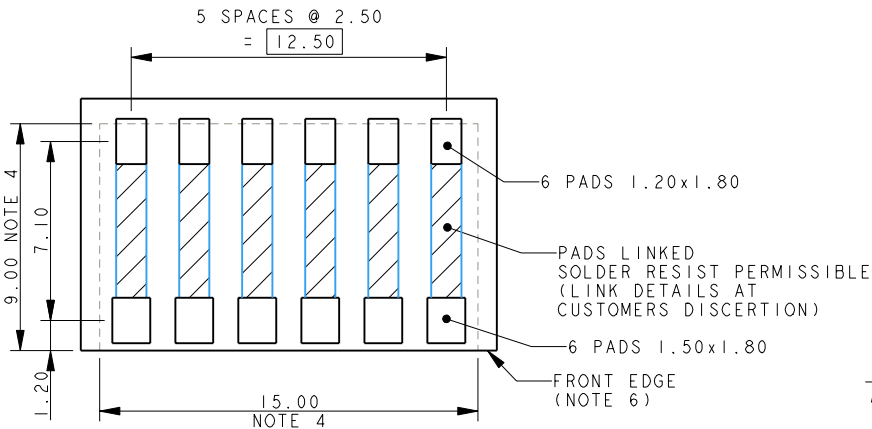
# 6 WAY WIRE TO BOARD CONNECTOR

ELCO EUROPE (A DIVISION OF AVX LTD.) CONFIDENTIAL PROPRIETARY  
 THE DRAWING ON THIS PRINT AND INFORMATION THEREWITH ARE  
 PROPRIETARY TO ELCO EUROPE (A DIVISION OF AVX LTD.) AND  
 SHALL NOT BE USED OR DISCUSSED IN WHOLE OR IN PART  
 WITHOUT ELCO EUROPE'S WRITTEN CONSENT.

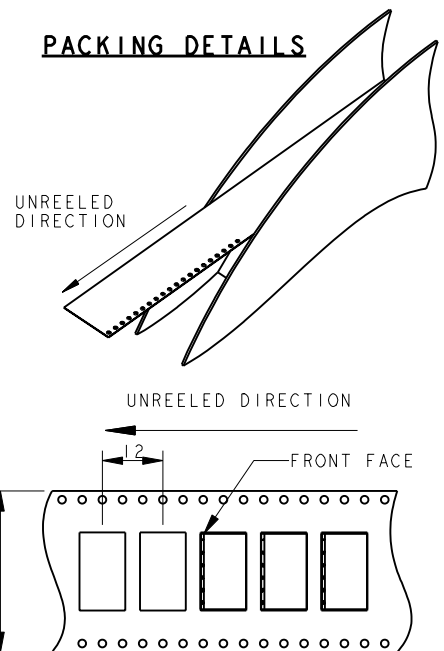


- NOTES :-
- 9276 SIX WAY CONNECTOR, REFER TO ELCO SPECIFICATION 201-01-125 FOR FURTHER DETAILS.
  - INSULATION MATERIAL :- NYLON 46, GLASS FILLED, UL94 V-0, COLOUR REFER TO SHEET 1.
  - CONTACT MATERIAL :- COPPER ALLOY, 0.20mm THICK, TIN PLATED.
  - OUTLINE OF CONNECTOR.
  - WIRE ASSEMBLY/EXTRACTION, REFER TO SHEET 8.
  - FRONT FACE OF CONNECTOR CAN BE IN LINE WITH EDGE OF PCB.
  - PACKING IN TAPE AND REEL, QUANTITY 1000 PER REEL.

## 6 WAY PCB BOARD LAYOUT



## PACKING DETAILS



ELCO EUROPE (A DIVISION OF AVX LTD.) CONFIDENTIAL PROPRIETARY  
 THE DRAWING ON THIS PRINT AND INFORMATION THEREWITH ARE  
 PROPRIETARY TO ELCO EUROPE (A DIVISION OF AVX LTD.) AND  
 SHALL NOT BE USED OR DISCLOSED IN WHOLE OR IN PART  
 WITHOUT ELCO EUROPE'S WRITTEN CONSENT.

SHEET 6 OF 8

Release No.  
History  
102631

3rd ANGLE  
ALL DIMENSIONS  
IN MILLIMETRES

**ELCO**

© COPYRIGHT ELCO EUROPE  
 NOT TO BE DISCLOSED OR COPIED  
 WITHOUT WRITTEN PERMISSION

Drawn  
N.C.H.

Size  
CV

Description  
18-24 AWG WIRE TO BOARD CONNECTOR

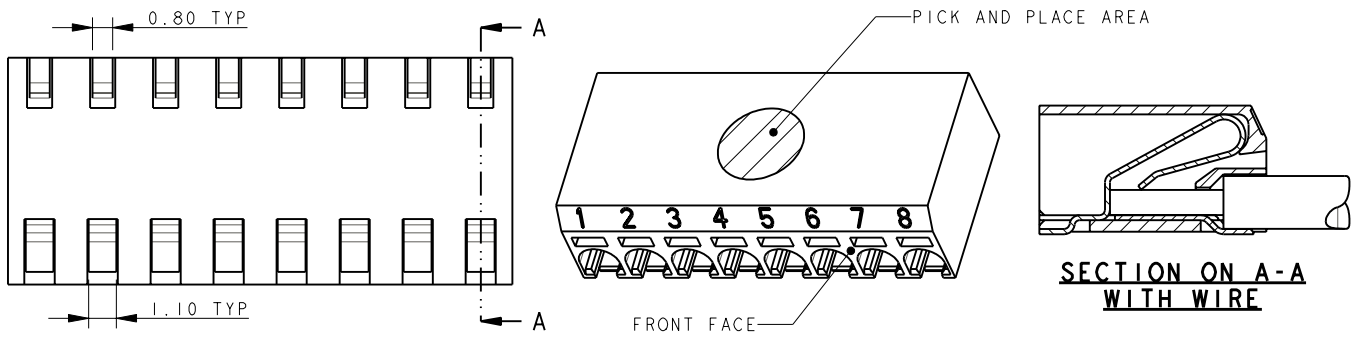
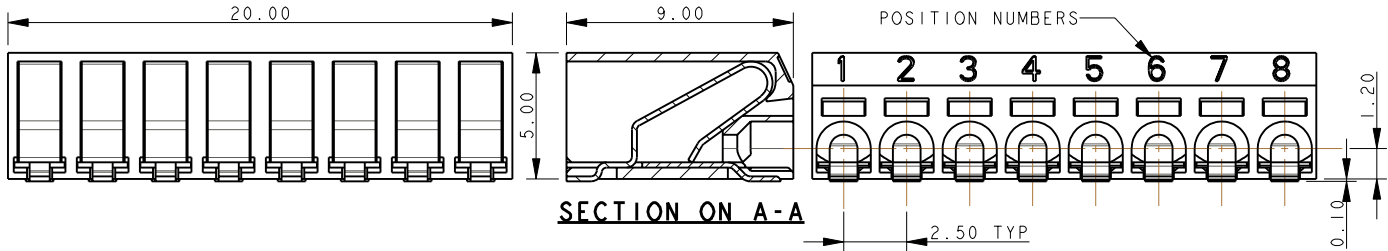
Part Number  
00-9276-01\_000S

DATE  
13-Nov-09

Issue  
E

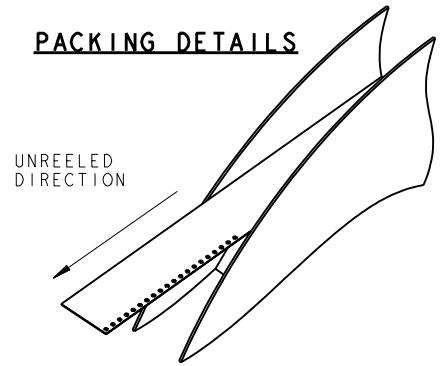
# 8 WAY WIRE TO BOARD CONNECTOR

ELCO EUROPE (A DIVISION OF AVX LTD.) CONFIDENTIAL PROPRIETARY  
 THE DRAWING ON THIS PRINT AND INFORMATION THEREWITH ARE  
 PROPRIETARY TO ELCO EUROPE (A DIVISION OF AVX LTD.) AND  
 SHALL NOT BE USED OR DISCUSSED IN WHOLE OR IN PART  
 WITHOUT ELCO EUROPE'S WRITTEN CONSENT.

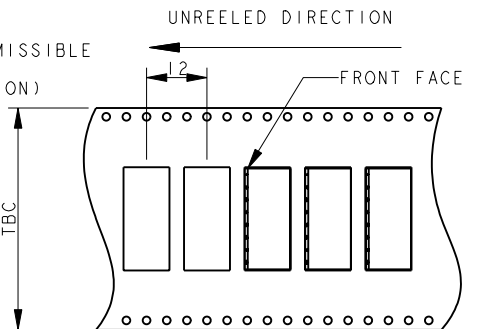
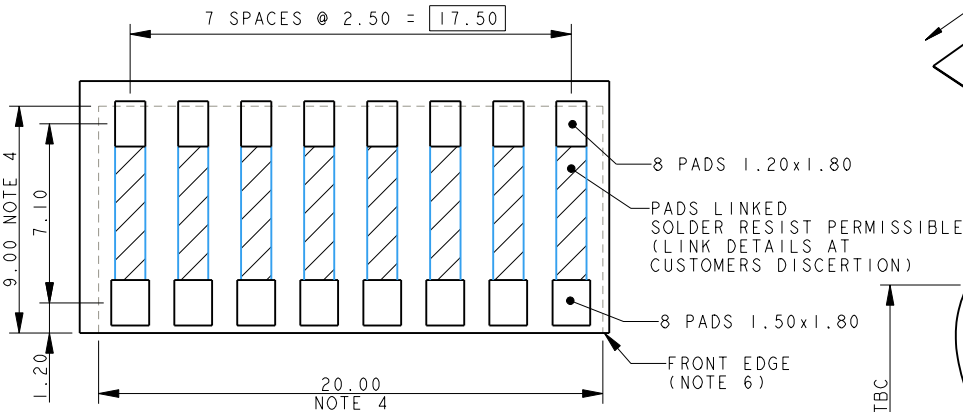


- NOTES :-
1. 9276 EIGHT WAY CONNECTOR, REFER TO ELCO SPECIFICATION 201-01-125 FOR FURTHER DETAILS.
  2. INSULATION MATERIAL :- NYLON 46, GLASS FILLED, UL94 V-0, COLOUR REFER TO SHEET 1.
  3. CONTACT MATERIAL :- COPPER ALLOY, 0.20mm THICK, TIN PLATED.
  4. OUTLINE OF CONNECTOR.
  5. WIRE ASSEMBLY/EXTRACTION, REFER TO SHEET 8.
  6. FRONT FACE OF CONNECTOR CAN BE IN LINE WITH EDGE OF PCB.
  7. PACKING IN TAPE AND REEL, QUANTITY 1000 PER REEL.

## PACKING DETAILS



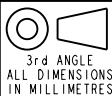
## 8 WAY PCB BOARD LAYOUT



ELCO EUROPE (A DIVISION OF AVX LTD.) CONFIDENTIAL PROPRIETARY  
 THE DRAWING ON THIS PRINT AND INFORMATION THEREWITH ARE  
 PROPRIETARY TO ELCO EUROPE (A DIVISION OF AVX LTD.) AND  
 SHALL NOT BE USED OR DISCUSSED IN WHOLE OR IN PART  
 WITHOUT ELCO EUROPE'S WRITTEN CONSENT.

SHEET 7 OF 8

Release No.  
 History  
 102631



© COPYRIGHT ELCO EUROPE  
 NOT TO BE DISCLOSED OR COPIED  
 WITHOUT WRITTEN PERMISSION

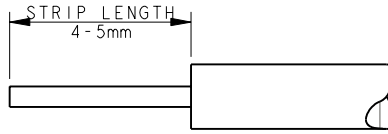
Drawn  
 N.C.H.  
 Size  
 CV

Description  
 18-24 AWG WIRE TO BOARD CONNECTOR  
 Part Number  
 00-9276-01\_000S

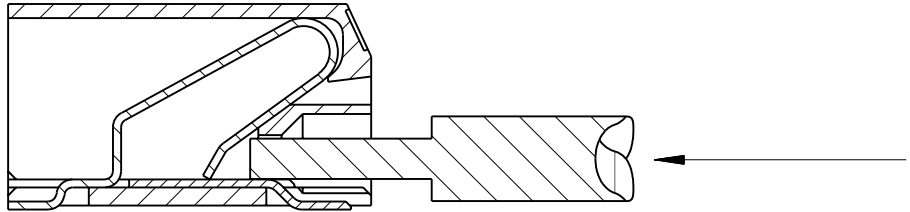
DATE  
 13-Nov-09  
 Issue  
 E

## WIRE ASSEMBLY

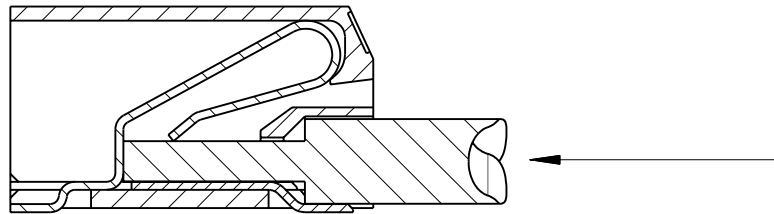
ELCO EUROPE (A DIVISION OF AVX LTD.) CONFIDENTIAL PROPRIETARY THE DRAWING ON THIS PRINT AND INFORMATION THEREWITH ARE PROPRIETARY TO ELCO EUROPE (A DIVISION OF AVX LTD.) AND SHALL NOT BE USED OR DISCUSSED IN WHOLE OR IN PART WITHOUT ELCO EUROPE'S WRITTEN CONSENT.



TRIM INSULATION.  
DO NOT CRUSH CENTRE OF WIRE.  
STRANDED WIRES TWISTED TOGETHER BEFORE INSETION.  
CHECK ALL STRANDS OF WIRE ARE CORRECTLY ALIGNED AFTER THE INSULATION IS REMOVED.

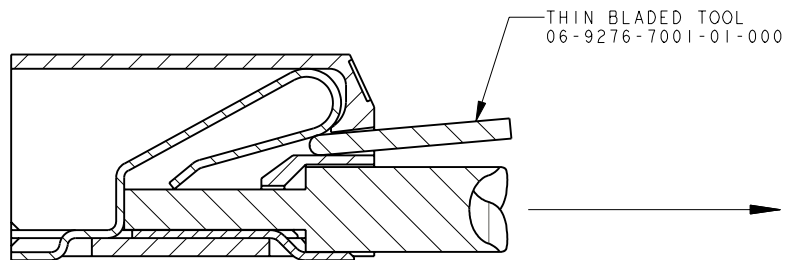


PUSH WIRE INTO HOLE IN FRONT OF CONNECTOR.  
DO NOT BEND CONNECTOR.



CONTINUE TO PUSH WIRE UNTIL STOP IS REACHED.

## WIRE EXTRACTION

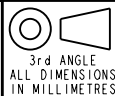


PUSH BLADE (NOT SHARP) INTO SLOT ABOVE WIRE.  
WHEN WIRE IS FREE, PULL TO EXTRACT.

ELCO EUROPE (A DIVISION OF AVX LTD.) CONFIDENTIAL PROPRIETARY THE DRAWING ON THIS PRINT AND INFORMATION THEREWITH ARE PROPRIETARY TO ELCO EUROPE (A DIVISION OF AVX LTD.) AND SHALL NOT BE USED OR DISCLOSED IN WHOLE OR IN PART WITHOUT ELCO EUROPE'S WRITTEN CONSENT.

SHEET 8 OF 8

FORM-106-01-056-6 ISS 7  
Release No.  
History  
102631



ELCO

© COPYRIGHT ELCO EUROPE  
NOT TO BE DISCLOSED OR COPIED  
WITHOUT WRITTEN PERMISSION

Drawn  
N.C.H.

Size  
CV

Description  
18-24 AWG WIRE TO BOARD CONNECTOR

Part Number  
00-9276-01\_000S

DATE  
13-Nov-09

Issue  
E

A

I

B



# Mouser Electronics

Authorized Distributor

Click to View Pricing, Inventory, Delivery & Lifecycle Information:

[AVX:](#)

[00-9276001021106](#) [00-9276002021106](#) [00-9276003021106](#) [00-9276004021106](#) [00-9276006021106](#) [00-9276008021106](#) [009276004021106](#) [009276002021106](#) [009276006021106](#) [009276002021006](#) [009276003021106](#) [009276008021106](#) [009276001021106](#) [009276001021006](#) [009276003021006](#) [009276004021006](#) [009276006021006](#) [009276008021006](#)

Компания «Океан Электроники» предлагает заключение долгосрочных отношений при поставках импортных электронных компонентов на взаимовыгодных условиях!

Наши преимущества:

- Поставка оригинальных импортных электронных компонентов напрямую с производств Америки, Европы и Азии, а так же с крупнейших складов мира;
- Широкая линейка поставок активных и пассивных импортных электронных компонентов (более 30 млн. наименований);
- Поставка сложных, дефицитных, либо снятых с производства позиций;
- Оперативные сроки поставки под заказ (от 5 рабочих дней);
- Экспресс доставка в любую точку России;
- Помощь Конструкторского Отдела и консультации квалифицированных инженеров;
- Техническая поддержка проекта, помощь в подборе аналогов, поставка прототипов;
- Поставка электронных компонентов под контролем ВП;
- Система менеджмента качества сертифицирована по Международному стандарту ISO 9001;
- При необходимости вся продукция военного и аэрокосмического назначения проходит испытания и сертификацию в лаборатории (по согласованию с заказчиком);
- Поставка специализированных компонентов военного и аэрокосмического уровня качества (Xilinx, Altera, Analog Devices, Intersil, Interpoint, Microsemi, Actel, Aeroflex, Peregrine, VPT, Syfer, Eurofarad, Texas Instruments, MS Kennedy, Miteq, Cobham, E2V, MA-COM, Hittite, Mini-Circuits, General Dynamics и др.);

Компания «Океан Электроники» является официальным дистрибьютором и эксклюзивным представителем в России одного из крупнейших производителей разъемов военного и аэрокосмического назначения «JONHON», а так же официальным дистрибьютором и эксклюзивным представителем в России производителя высокотехнологичных и надежных решений для передачи СВЧ сигналов «FORSTAR».



## JONHON

«JONHON» (основан в 1970 г.)

Разъемы специального, военного и аэрокосмического назначения:

(Применяются в военной, авиационной, аэрокосмической, морской, железнодорожной, горно- и нефтедобывающей отраслях промышленности)

«FORSTAR» (основан в 1998 г.)

ВЧ соединители, коаксиальные кабели, кабельные сборки и микроволновые компоненты:

(Применяются в телекоммуникациях гражданского и специального назначения, в средствах связи, РЛС, а так же военной, авиационной и аэрокосмической отраслях промышленности).



Телефон: 8 (812) 309-75-97 (многоканальный)

Факс: 8 (812) 320-03-32

Электронная почта: [ocean@oceanchips.ru](mailto:ocean@oceanchips.ru)

Web: <http://oceanchips.ru/>

Адрес: 198099, г. Санкт-Петербург, ул. Калинина, д. 2, корп. 4, лит. А