

THIS DRAWING IS UNPUBLISHED. RELEASED FOR PUBLICATION AUG ,2006..

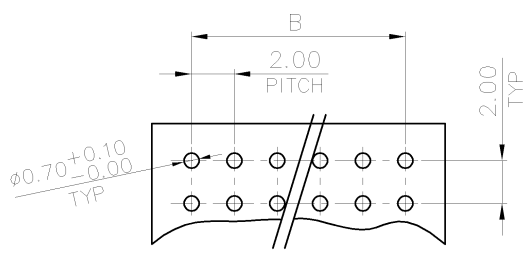
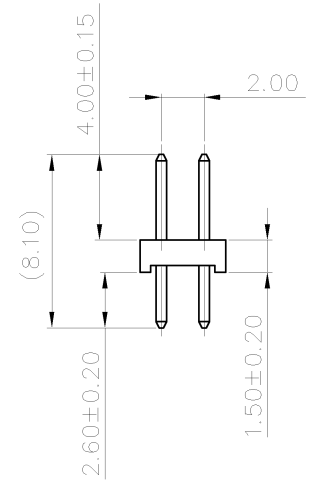
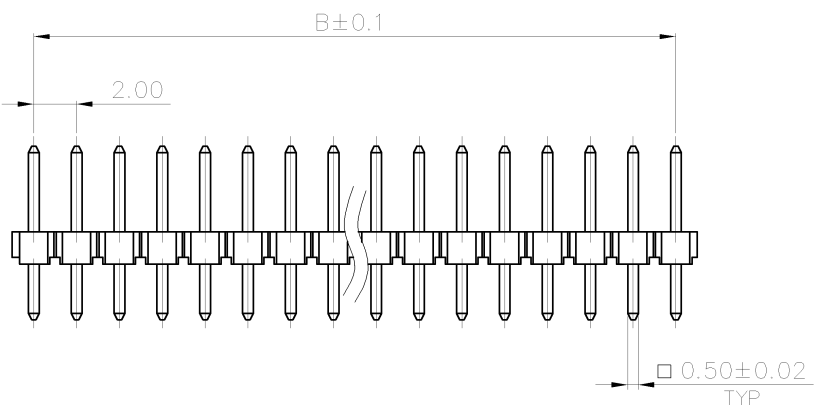
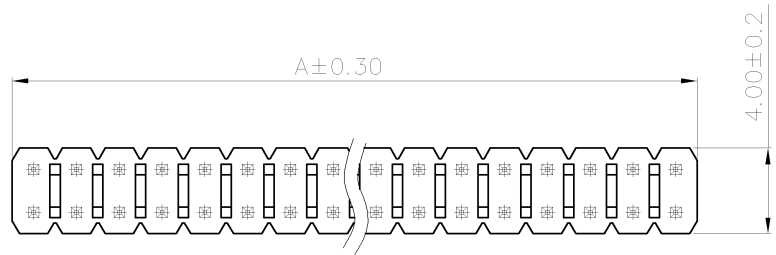
© COPYRIGHT - BY TYCO ELECTRONICS CORPORATION. ALL RIGHTS RESERVED.

LOC DIST DW

REVISIONS

| P | LTR | DESCRIPTION | DATE | DWN | APVD |
|----|-----|-------------------------|---------|-----|------|
| C2 | | REVISED (ECR-11-015593) | 27JUL11 | JL | WK |

- NOTE :
- MATERIAL :
HOUSING : PA6T WITH 30% GF, UL94V-0, BLACK COLOR.
CONTACT : BRASS.
 - FINISH :
CONTACT: 0.2um [8μ"] MIN. GOLD PLATED ON CONTACT AREA
2.54um [100μ"] MIN. MATTE TIN PLATED ON SOLDER TAIL,
1.27um [50μ"] MIN. NICKEL UNDERPLATED OVER ALL
 - APPLICATION :
SOLDERTAIL LENGTH 2.6 FOR PCB THICKNESS 1.6±0.1
 - WAVE SOLDER CAPABLE TO 265°C PER TE SPEC 109-202, CONDITION B.



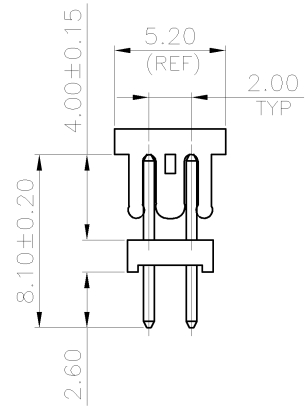
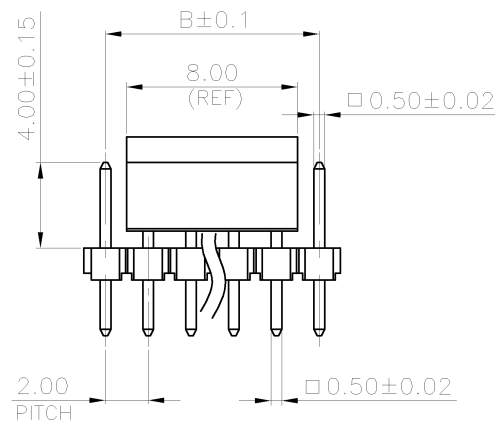
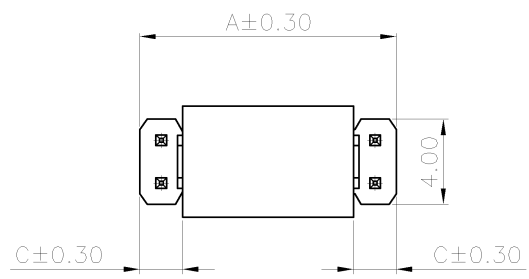
RECOMMENDED PCB LAYOUT TOLERANCE: ±0.05; THICKNESS: 1.0~1.6MM

| KEYING POS. | A | B | POSITION NUMBER | PART NUMBER | |
|-------------|-------|-------|-----------------|-------------|-----------|
| | 10.00 | 8.00 | 10 | 1- | -1 |
| | 80.00 | 78.00 | 80 | 8- | -0 |
| | 78.00 | 76.00 | 78 | 7 | -8 |
| | 76.00 | 74.00 | 76 | 7 | -6 |
| | 74.00 | 72.00 | 74 | 7 | -4 |
| | 72.00 | 70.00 | 72 | 7 | -2 |
| | 70.00 | 68.00 | 70 | 7 | 0 |
| | 68.00 | 66.00 | 68 | 6 | -8 |
| | 66.00 | 64.00 | 66 | 6 | -6 |
| | 64.00 | 62.00 | 64 | 6 | -4 |
| | 62.00 | 60.00 | 62 | 6 | -2 |
| | 60.00 | 58.00 | 60 | 6 | 0 |
| | 58.00 | 56.00 | 58 | 5 | -8 |
| | 56.00 | 54.00 | 56 | 5 | -6 |
| | 54.00 | 52.00 | 54 | 5 | -4 |
| | 52.00 | 50.00 | 52 | 5 | -2 |
| | 50.00 | 48.00 | 50 | 5- | 0 |
| | 48.00 | 46.00 | 48 | 4- | -8 |
| | 46.00 | 44.00 | 46 | 4- | -6 |
| | 44.00 | 42.00 | 44 | 4 | -4 |
| | 42.00 | 40.00 | 42 | 4- | -2 |
| | 40.00 | 38.00 | 40 | 4- | 0 |
| | 38.00 | 36.00 | 38 | 3- | -8 |
| | 36.00 | 34.00 | 36 | 3- | -6 |
| | 34.00 | 32.00 | 34 | 3 | -4 |
| | 32.00 | 30.00 | 32 | 3- | -2 |
| | 30.00 | 28.00 | 30 | 3- | 0 |
| | 28.00 | 26.00 | 28 | 2- | -8 |
| | 26.00 | 24.00 | 26 | 2 | -6 |
| | 24.00 | 22.00 | 24 | 2- | -4 |
| | 22.00 | 20.00 | 22 | 2- | -2 |
| | 20.00 | 18.00 | 20 | 2- | 0 |
| | 18.00 | 16.00 | 18 | 1- | -8 |
| | 16.00 | 14.00 | 16 | 1 | -6 |
| | 14.00 | 12.00 | 14 | 1- | -4 |
| | 12.00 | 10.00 | 12 | 1 | -2 |
| | 10.00 | 8.00 | 10 | 1- | 0 |
| | 8.00 | 6.00 | 8 | | -8 |
| | 6.00 | 4.00 | 6 | | -6 |
| | 4.00 | 2.00 | 4 | | 1734508-4 |

| | | | | |
|--|-----------------|---------------------------|----------------------------|--|
| THIS DRAWING IS A CONTROLLED DOCUMENT. | | DWN S. CHIEN 02DEC2008 | STE TE Connectivity | |
| DIMENSIONS: MM | | CHK S. CHIEN 02DEC2008 | | |
| TOLERANCES UNLESS OTHERWISE SPECIFIED: | | APVD W. KODAMA 02DEC2008 | NAME | |
| 0 PLC ± 0.5 | | PRODUCT SPEC | | AMPMODU 2.0mm PITCH POST HDR, VERTICAL, MOUNT TYPE |
| 1 PLC ± 0.2 | | 108-57197 | | |
| 2 PLC ± 0.1 | | QUALIFICATION TEST REPORT | | SIZE |
| 3 PLC ± 0.05 | | 501-57197 | | CAGE CODE |
| 4 PLC ± ± 3° | | WEIGHT - | | DRAWING NO |
| MATERIAL SEE NOTE | FINISH SEE NOTE | CUSTOMER DRAWING | | RESTRICTED TO |
| | | A3 00779 | | ©=1734508 |
| | | SCALE | | SHEET 1 OF 4 |
| | | | | REV C2 |

THIS DRAWING IS UNPUBLISHED. RELEASED FOR PUBLICATION
 © COPYRIGHT 2011 BY TYCO ELECTRONICS CORPORATION. ALL RIGHTS RESERVED.

| | | | | | |
|-----------|------|--------------|------|-----|------|
| LOC DW | DIST | REVISIONS | | | |
| P | LTR | DESCRIPTION | DATE | DWN | APVD |
| | | SEE SHEET 1. | | | |



RECOMMENDED PCB LAYOUT
 TOLERANCE: ± 0.05 ; THICKNESS: 1.0~1.6MM

- NOTE:
- MATERIAL:
 HOUSING: PA6T WITH 30% GF, UL 94V-0, BLACK COLOR.
 CAP: LCP WITH 30% GF, UL 94V-0. BLACK COLOR.
 CONTACT: BRASS.
 - FINISH :
 CONTACT:
 0.0254um [10u"] MIN. GOLD PLATED ON CONTACT AREA
 2.54um [100u"] MIN. MATTE-TIN PLATED ON SOLDER TAIL,
 1.27um [50u"] MIN. NICKEL UNDERPLATED OVER ALL
 - WAVE SOLDER CAPABLE TO 265°C PER TEST SPEC 109-202, CONDITION B.

| | | | | |
|------------|-------|-------|-----------------|-------------|
| 3.00 | 14.00 | 12.00 | 14 | 9-1734508-4 |
| 2.00 | 12.00 | 10.00 | 12 | 9-1734508-2 |
| C | A | B | POSITION NUMBER | PART NUMBER |
| DIMENSIONS | | | | |

| | | | | | |
|--|----------|------------------|-----------|------------|---------------|
| THIS DRAWING IS A CONTROLLED DOCUMENT. | | DWN | - | | |
| DIMENSIONS: mm | | CHK | - | | |
| TOLERANCES UNLESS OTHERWISE SPECIFIED: | | APVD | - | | |
| 0 PLC $\pm -$ | | PRODUCT SPEC | - | | |
| 1 PLC ± 0.3 | | APPLICATION SPEC | - | | |
| 2 PLC ± 0.2 | | WEIGHT | - | | |
| 3 PLC ± 0.15 | | SCALE | - | | |
| 4 PLC $\pm -$ | | SHEET | 2 of 4 | | |
| 4 ANGLES $\pm - \pm 3'$ | | REV | C2 | | |
| MATERIAL | FINISH | SIZE | CAGE CODE | DRAWING NO | RESTRICTED TO |
| SEE NOTE | SEE NOTE | A3 | 00779 | C=1734508 | - |
| CUSTOMER DRAWING | | SCALE | | SHEET | |



AMPMODU, 2.0mm PITCH, POST HDR, VERTICAL, MOUNT TYPE

THIS DRAWING IS UNPUBLISHED. RELEASED FOR PUBLICATION AUG .2006.
 © COPYRIGHT - BY TYCO ELECTRONICS CORPORATION. ALL RIGHTS RESERVED.

| | | | | | |
|-----------|------|--------------|------|-----|------|
| LOC DW | DIST | REVISIONS | | | |
| P | LTR | DESCRIPTION | DATE | DWN | APVD |
| | | SEE SHEET 1. | | | |



NOTE:
 1. DIMENSIONS:
 BOX: 392*245*260MM
 INNER BOX: 218*185*80MM
 PE BAG: 150*120*0.08MM

| | | | | | | | |
|----------|--------------|------------|---------|--------------------|----------------------|-----------|--------------|
| | 6.90 KG | 5.52 KG | 500 | 8 | 6 | 24000 PCS | 10 |
| | 5.786 KG | 4.406 KG | 50 | 8 | 6 | 2400 PCS | 80 |
| OBSOLETE | 5.676 KG | 4.296 KG | 50 | 8 | 6 | 2400 PCS | 78 |
| | 5.565 KG | 4.185 KG | 50 | 8 | 6 | 2400 PCS | 76 |
| | 5.433 KG | 4.053 KG | 50 | 8 | 6 | 2400 PCS | 74 |
| | 5.344 KG | 3.964 KG | 50 | 8 | 6 | 2400 PCS | 72 |
| | 5.236 KG | 3.856 KG | 50 | 8 | 6 | 2400 PCS | 70 |
| | 5.126 KG | 3.746 KG | 50 | 8 | 6 | 2400 PCS | 68 |
| | 5.74 KG | 4.36 KG | 60 | 8 | 6 | 2880 PCS | 66 |
| | 5.61 KG | 4.23 KG | 60 | 8 | 6 | 2880 PCS | 64 |
| | 5.478 KG | 4.098 KG | 60 | 8 | 6 | 2880 PCS | 62 |
| | 6.006 KG | 4.626 KG | 70 | 8 | 6 | 3360 PCS | 60 |
| | 5.852 KG | 4.472 KG | 70 | 8 | 6 | 3360 PCS | 58 |
| | 7.548 KG | 6.168 KG | 100 | 8 | 6 | 4800 PCS | 56 |
| | 7.33 KG | 5.947 KG | 100 | 8 | 6 | 4800 PCS | 54 |
| | 7.106 KG | 5.726 KG | 100 | 8 | 6 | 4800 PCS | 52 |
| | 6.89 KG | 5.51 KG | 100 | 8 | 6 | 4800 PCS | 50 |
| | 6.669 KG | 5.289 KG | 100 | 8 | 6 | 4800 PCS | 48 |
| | 6.448 KG | 5.068 KG | 100 | 8 | 6 | 4800 PCS | 46 |
| OBSOLETE | 6.228 KG | 4.848 KG | 100 | 8 | 6 | 4800 PCS | 44 |
| | 6.007 KG | 4.627 KG | 100 | 8 | 6 | 4800 PCS | 42 |
| | 5.786 KG | 4.406 KG | 100 | 8 | 6 | 4800 PCS | 40 |
| | 5.565 KG | 4.185 KG | 100 | 8 | 6 | 4800 PCS | 38 |
| | 5.344 KG | 3.964 KG | 100 | 8 | 6 | 4800 PCS | 36 |
| OBSOLETE | 5.124 KG | 3.744 KG | 100 | 8 | 6 | 4800 PCS | 34 |
| | 4.903 KG | 3.523 KG | 100 | 8 | 6 | 4800 PCS | 32 |
| | 4.687 KG | 3.307 KG | 100 | 8 | 6 | 4800 PCS | 30 |
| | 4.466 KG | 3.086 KG | 100 | 8 | 6 | 4800 PCS | 28 |
| OBSOLETE | 5.678 KG | 4.298 KG | 150 | 8 | 6 | 7200 PCS | 26 |
| | 5.35 KG | 3.97 KG | 150 | 8 | 6 | 7200 PCS | 24 |
| | 6.23 KG | 4.85 KG | 200 | 8 | 6 | 9600 PCS | 22 |
| | 5.79 KG | 4.41 KG | 200 | 8 | 6 | 9600 PCS | 20 |
| | 6.35 KG | 4.97 KG | 250 | 8 | 6 | 12000 PCS | 18 |
| OBSOLETE | 5.78 KG | 4.40 KG | 250 | 8 | 6 | 12000 PCS | 16 |
| | 6.00 KG | 4.62 KG | 300 | 8 | 6 | 14400 PCS | 14 |
| OBSOLETE | 5.34 KG | 3.96 KG | 300 | 8 | 6 | 14400 PCS | 12 |
| | 6.90 KG | 5.52 KG | 500 | 8 | 6 | 24000 PCS | 10 |
| | 5.80 KG | 4.42 KG | 500 | 8 | 6 | 24000 PCS | 8 |
| | 6.68 KG | 5.30 KG | 800 | 8 | 6 | 38400 PCS | 6 |
| | 5.79 KG | 4.41 KG | 1000 | 8 | 6 | 48000 PCS | 4 |
| | GROSS WEIGHT | NET WEIGHT | PCS/BAG | BAGS /INNER CARTON | INNER CARTON /CARTON | QUANTITY | NO. OF POSTS |

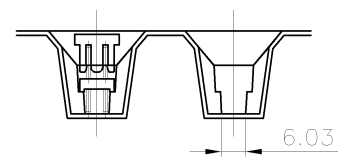
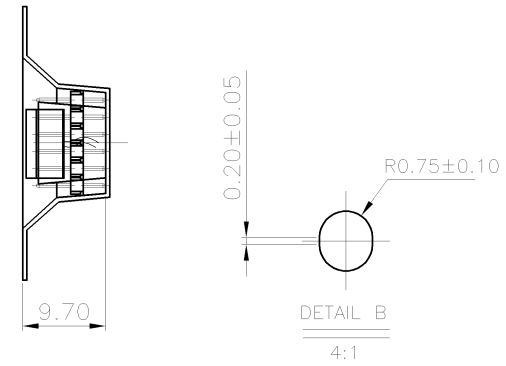
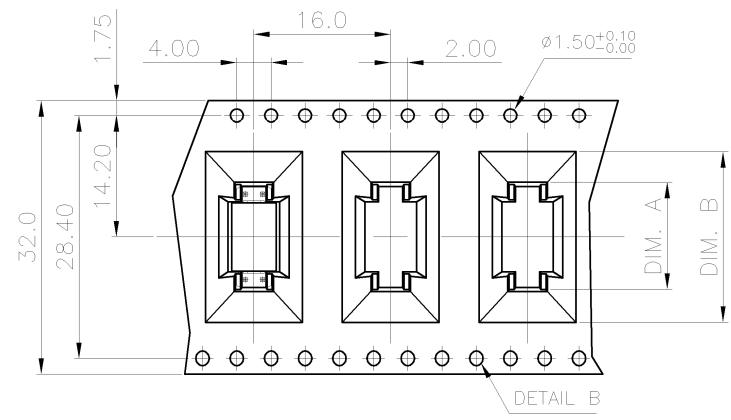
| | | | | | | |
|--|--|------------------|---|-----------|------------|---------------|
| THIS DRAWING IS A CONTROLLED DOCUMENT. | | DWN | STE TE Connectivity | | | |
| DIMENSIONS: MM | | CHK | | | | |
| TOLERANCES UNLESS OTHERWISE SPECIFIED: | | APVD | NAME | | | |
| 0 PLC ± - | | PRODUCT SPEC | AMPMODU 2.0mm PITCH, POST HDR, VERTICAL, MOUNT TYPE | | | |
| 1 PLC ± - | | APPLICATION SPEC | | | | |
| 2 PLC ± - | | WEIGHT | SIZE | CAGE CODE | DRAWING NO | RESTRICTED TO |
| 3 PLC ± - | | | A3 | 00779 | C=1734508 | |
| 4 PLC ± - | | | CUSTOMER DRAWING | | SCALE | SHEET 3 OF 4 |
| ANGLES ± - | | | | | | REV C2 |

THIS DRAWING IS UNPUBLISHED. RELEASED FOR PUBLICATION
 © COPYRIGHT 2011 BY TYCO ELECTRONICS CORPORATION. ALL RIGHTS RESERVED.

| | | | | | |
|-----------|------|--------------|------|-----|------|
| LOC DW | DIST | REVISIONS | | | |
| P | LTR | DESCRIPTION | DATE | DWN | APVD |
| | | SEE SHEET 1. | | | |



- NOTES :
- MATERIAL :
 COVER TAPE : PT+ABS, COLOR: TRANSPARENT
 CARRIER TAPE : PS
 REEL : PS
 SHIPPING BOX: CORRUGATED FIBER
 - PEELING RESISTANCE : 10gf~130gf (for 12mm~56mm)
 - PEELING SPEED : 300mm/MINUTES



| | | | | | | | |
|--------|--------|--------------|------------|---------|----------|-----|-------------|
| 22.00 | 14.80 | 3.70KG | 1.03KG | 2000 | 400 | 14 | 9-1734508-4 |
| 20.00 | 12.80 | 3.51KG | 0.94KG | 2000 | 400 | 12 | 9-1734508-2 |
| DIM. B | DIM. A | GROSS WEIGHT | NET WEIGHT | PCS/BOX | PCS/REEL | POS | PART NO. |

| | | | | | | | |
|--|--|------------------|--|--|--|--|--|
| THIS DRAWING IS A CONTROLLED DOCUMENT. | | DWN | TE Connectivity | | | | |
| DIMENSIONS: mm | | CHK | NAME | | | | |
| TOLERANCES UNLESS OTHERWISE SPECIFIED: | | APVD | AMPMODU, 2.0mm PITCH, POST HDR, VERTICAL, MOUNT TYPE | | | | |
| 0 PLC ± | | PRODUCT SPEC | SIZE CAGE CODE DRAWING NO RESTRICTED TO | | | | |
| 1 PLC ±0.3 | | APPLICATION SPEC | A3 00779 C=1734508 | | | | |
| 2 PLC ±0.2 | | WEIGHT | CUSTOMER DRAWING SCALE SHEET 4 of 4 REV C2 | | | | |
| 3 PLC ±0.15 | | | | | | | |
| 4 PLC ± | | | | | | | |
| ANGLES ± 3' | | | | | | | |
| MATERIAL FINISH | | | | | | | |

Компания «Океан Электроники» предлагает заключение долгосрочных отношений при поставках импортных электронных компонентов на взаимовыгодных условиях!

Наши преимущества:

- Поставка оригинальных импортных электронных компонентов напрямую с производств Америки, Европы и Азии, а так же с крупнейших складов мира;
- Широкая линейка поставок активных и пассивных импортных электронных компонентов (более 30 млн. наименований);
- Поставка сложных, дефицитных, либо снятых с производства позиций;
- Оперативные сроки поставки под заказ (от 5 рабочих дней);
- Экспресс доставка в любую точку России;
- Помощь Конструкторского Отдела и консультации квалифицированных инженеров;
- Техническая поддержка проекта, помощь в подборе аналогов, поставка прототипов;
- Поставка электронных компонентов под контролем ВП;
- Система менеджмента качества сертифицирована по Международному стандарту ISO 9001;
- При необходимости вся продукция военного и аэрокосмического назначения проходит испытания и сертификацию в лаборатории (по согласованию с заказчиком);
- Поставка специализированных компонентов военного и аэрокосмического уровня качества (Xilinx, Altera, Analog Devices, Intersil, Interpoint, Microsemi, Actel, Aeroflex, Peregrine, VPT, Syfer, Eurofarad, Texas Instruments, MS Kennedy, Miteq, Cobham, E2V, MA-COM, Hittite, Mini-Circuits, General Dynamics и др.);

Компания «Океан Электроники» является официальным дистрибьютором и эксклюзивным представителем в России одного из крупнейших производителей разъемов военного и аэрокосмического назначения «JONHON», а так же официальным дистрибьютором и эксклюзивным представителем в России производителя высокотехнологичных и надежных решений для передачи СВЧ сигналов «FORSTAR».



JONHON

«JONHON» (основан в 1970 г.)

Разъемы специального, военного и аэрокосмического назначения:

(Применяются в военной, авиационной, аэрокосмической, морской, железнодорожной, горно- и нефтедобывающей отраслях промышленности)

«FORSTAR» (основан в 1998 г.)

ВЧ соединители, коаксиальные кабели,
кабельные сборки и микроволновые компоненты:

(Применяются в телекоммуникациях гражданского и специального назначения, в средствах связи, РЛС, а так же военной, авиационной и аэрокосмической отраслях промышленности).



Телефон: 8 (812) 309-75-97 (многоканальный)

Факс: 8 (812) 320-03-32

Электронная почта: ocean@oceanchips.ru

Web: <http://oceanchips.ru/>

Адрес: 198099, г. Санкт-Петербург, ул. Калинина, д. 2, корп. 4, лит. А