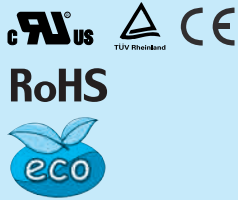


# KHEA/KHNA30F

KH  A 30 F -   -

① ② ③ ④ ⑤ ⑥



Recommended EMI/EMC Filter  
NAC-04-472-D



High voltage pulse noise type : NAP series  
Low leakage current type : NAM series  
\*The EMI/EMC Filter is recommended to connect with several devices.

- ① Series name  
KHE : Euro style I/O terminals  
KHN : Barrier blocks style I/O terminals
- ② Single output
- ③ Output wattage
- ④ Universal input
- ⑤ Output voltage
- ⑥ Option  
C : with Coating

MODEL	★KHEA/KHNA30F-5	★KHEA/KHNA30F-12	KHEA/KHNA30F-24
MAX OUTPUT WATTAGE[W]	25	27.6	31.2
DC OUTPUT	5V 5A	12V 2.3A	24V 1.3A

## SPECIFICATIONS

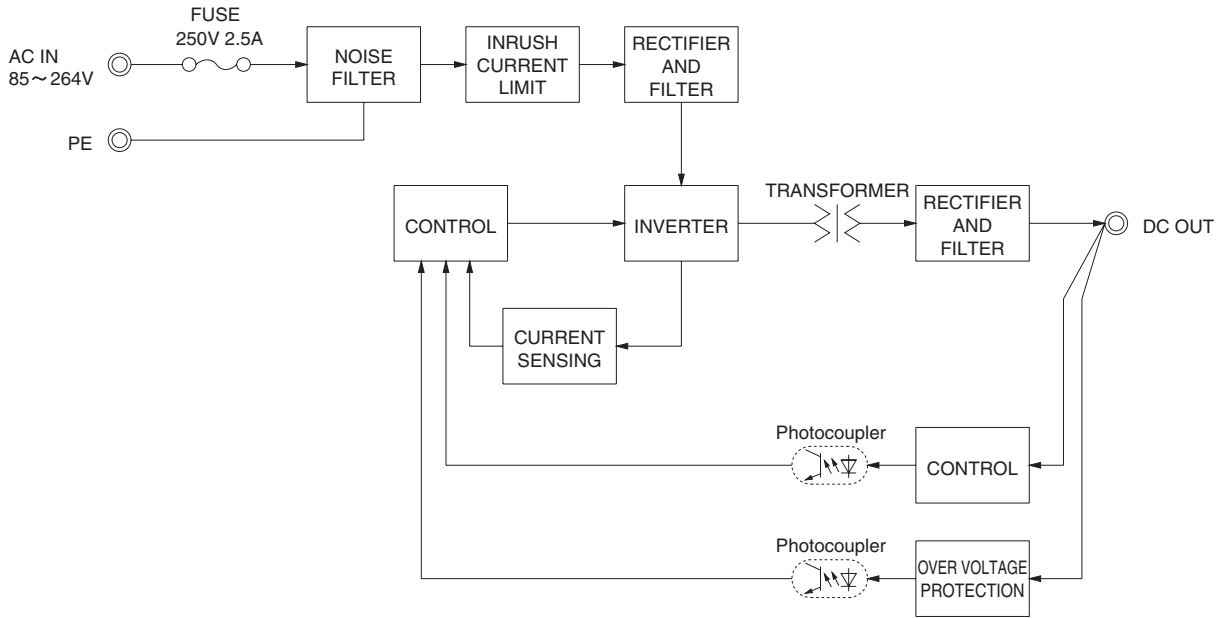
Please contact us about ★ marked models.

	MODEL	KHEA/KHNA30F-5	KHEA/KHNA30F-12	KHEA/KHNA30F-24	
INPUT	VOLTAGE[V]	AC85 - 264 1 φ (Output derating is required) or DC120 - 370			
	CURRENT[A]	ACIN 115V	0.45typ	0.50typ	0.55typ
		ACIN 230V	0.30typ	0.30typ	0.35typ
	FREQUENCY[Hz]	50 / 60 (47 - 440) or DC			
	EFFICIENCY[%]	ACIN 115V	84.0typ	87.0typ	88.5typ
		ACIN 230V	85.5typ	88.5typ	89.5typ
INRUSH CURRENT[A]	ACIN 115V	18typ (Io=100%) (at cold start Ta=25°C)			
	*1 ACIN 230V	35typ (Io=100%) (at cold start Ta=25°C)			
LEAKAGE CURRENT[ma]	0.45 / 0.75max (ACIN 100V / 240V 60Hz, Io=100%, According to IEC60950-1 and DEN-AN)				
OUTPUT	VOLTAGE[V]	5	12	24	
	CURRENT[A]	5.0	2.3	1.3	
	PEAK CURRENT[A]	-	-	-	
	LINE REGULATION[mV] *2	20max	48max	96max	
	LOAD REGULATION[mV] *2	80max	100max	150max	
	RIPPLE[mVp-p] *3	0 to +70°C	150max	150max	150max
		-20 - 0°C	300max	300max	300max
		Io=0 - 30%	300max *4	300max *4	300max *4
	RIPPLE NOISE[mVp-p] *3	0 to +70°C	180max	180max	180max
		-20 - 0°C	360max	360max	360max
		Io=0 - 30%	360max *4	360max *4	360max *4
	TEMPERATURE REGULATION[mV]	0 to +70°C	50max	120max	240max
		-20 to +70°C	60max	150max	290max
	DRIFT[mV] *5	20max	48max	96max	
START-UP TIME[ms]	200typ (ACIN 115V, Io=100%)				
HOLD-UP TIME[ms]	20typ (ACIN 115V, Io=100%)				
OUTPUT VOLTAGE ADJUSTMENT RANGE[V]	4.50 to 5.50	10.80 to 13.20	22.50 to 28.50		
OUTPUT VOLTAGE SETTING[V]	5.00 to 5.15	12.00 to 12.48	24.00 to 24.96		
PROTECTION CIRCUIT AND OTHERS	OVERCURRENT PROTECTION	Works over 105% of rating and recovers automatically *10			
	OVERVOLTAGE PROTECTION[V]	6.30 to 7.60	13.80 to 16.80	30.00 to 36.00	
	DC_OK LAMP	LED (Green)			
ISOLATION	INPUT-OUTPUT	AC3,000V 1minute, Cutoff current = 10mA, DC500V 50MΩ min (At Room Temperature)			
	INPUT-PE	AC2,000V 1minute, Cutoff current = 10mA, DC500V 50MΩ min (At Room Temperature)			
	OUTPUT-PE	AC500V 1minute, Cutoff current = 100mA, DC500V 50MΩ min (At Room Temperature)			
ENVIRONMENT	OPERATING TEMP., HUMID. AND ALTITUDE	-20 to +70°C (Required to Derating), 20 - 90%RH (Non condensing)			
	STORAGE TEMP., HUMID. AND ALTITUDE	-30 to +85°C, 20 - 90%RH (Non condensing)			
	VIBRATION *8	10 - 55Hz, 19.6m/s <sup>2</sup> (2G), 3minutes period, 60 minutes along Z axis (Non operating, mounted on DIN Rail)			
	IMPACT	196.1m/s <sup>2</sup> (20G), 11ms, once each X, Y and Z axis (Packing state)			
SAFETY AND NOISE REGULATIONS	AGENCY APPROVALS (At only AC input)	UL60950-1, C-UL(CSA60950-1), UL508 (NEC Class2 per UL1310), ANSI/ISA12.12.01, EN60950-1, EN50178 Complies with DEN-AN			
	CONDUCTED NOISE	Complies with FCC-B, VCCI-B, CISPR22-B, EN55011-B, EN55022-B			
	HARMONIC ATTENUATOR	Complies with IEC61000-3-2 (Class A) *6 (Not built-in to active filter) *9			
OTHERS	CASE SIZE *7	22.5 × 75 × 90mm (W × H × D) [0.89 × 2.95 × 3.54 inches]			
	WEIGHT	165g max			
	COOLING METHOD	Convection / Forced air			

\*1 The value is primary surge. The current of input surge to a built-in EMI/EMC Filter(0.2ms or less)is excluded.  
 \*2 Please contact us about dynamic load and input response.  
 \*3 This is the value that measured on measuring board with capacitor of 22μF and 0.1μF at 150mm from output terminal.  
 Measured by 20MHz oscilloscope or Ripple-Noise meter (Equivalent to KEISOKU-GIKEN: RM103). Please refer to the instruction manual 2.7.  
 Ripple and ripple noise spec is change at Io=0 to 30% by burst operation.  
 \*4 In case of operating under 0°C ambient temperature, the value is two times of specification at 0 to 30% load factor.  
 \*5 Drift is the change in DC output for an eight hour period after a half-hour warm-up at 25°C, with the input voltage held constant at the rated input/output.

\*6 Please contact us about another class.  
 \*7 Case size contains neither the umbo.  
 \*8 Only as standard mounting orientation (A). Refer to the instruction manual 5.1.  
 If install other than standard mounting orientation (A), please fix the power supply for withstand the vibration and impact.  
 \*9 When two or more units are operating it may not comply with the IEC61000-3-2.  
 \*10 If the overcurrent protection circuit operates continuously, the output voltage shut down. Refer to the instruction manual 2.3.  
 \* To meet the specifications. Do not operate over-loaded condition.  
 \* A sound may occur from power supply at light or peak loading.

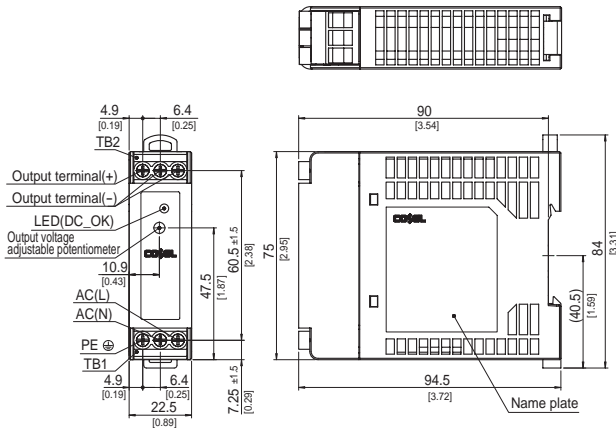
## Block diagram



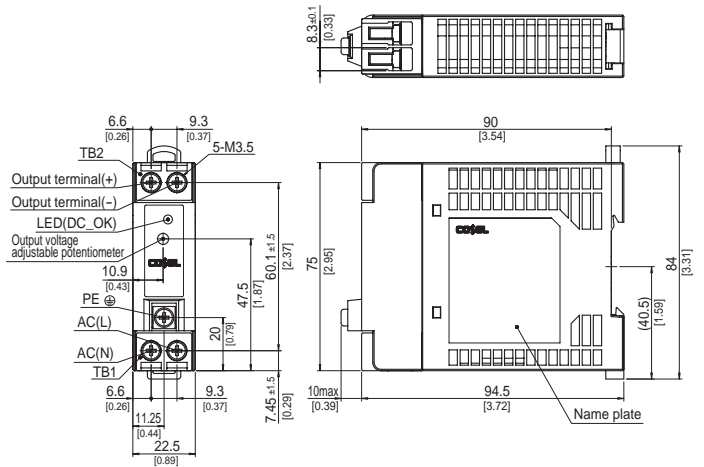
## External view

<KHEA30F(Euro Style I/O Terminals)>

<KHNA30F(Barrier Blocks Style I/O Terminals)>



- ※ Tolerance :  $\pm 1$  [ $\pm 0.04$ ]
- ※ Weight : 165g max
- ※ PCB Material/thickness : FR-4 / 1.6mm [0.06]
- ※ Chassis · Case material : PBT
- ※ Din rail attachment material : PC/ABS
- ※ Dimensions in mm, [ ] = inches
- ※ Screw tightening torque : 1N · m max



- ※ Tolerance :  $\pm 1$  [ $\pm 0.04$ ]
- ※ Weight : 165g max
- ※ PCB Material/thickness : FR-4 / 1.6mm [0.06]
- ※ Chassis · Case material : PBT
- ※ Din rail attachment material : PC/ABS
- ※ Dimensions in mm, [ ] = inches
- ※ Screw tightening torque : 1N · m max

# KHEA/KHNA60F

KH  A 60 F -   -

① ② ③ ④ ⑤ ⑥



Recommended EMI/EMC Filter  
NAC-04-472-D



High voltage pulse noise type : NAP series  
Low leakage current type : NAM series  
\*The EMI/EMC Filter is recommended to connect with several devices.

- ① Series name  
KHE : Euro style I/O terminals  
KHN : Barrier blocks style I/O terminals
- ② Single output
- ③ Output wattage
- ④ Universal input
- ⑤ Output voltage
- ⑥ Option  
C : with Coating

MODEL	★ KHEA/KHNA60F-12	KHEA/KHNA60F-24
MAX OUTPUT WATTAGE[W]	54	60
DC OUTPUT	12V 4.5A	24V 2.5A

## SPECIFICATIONS

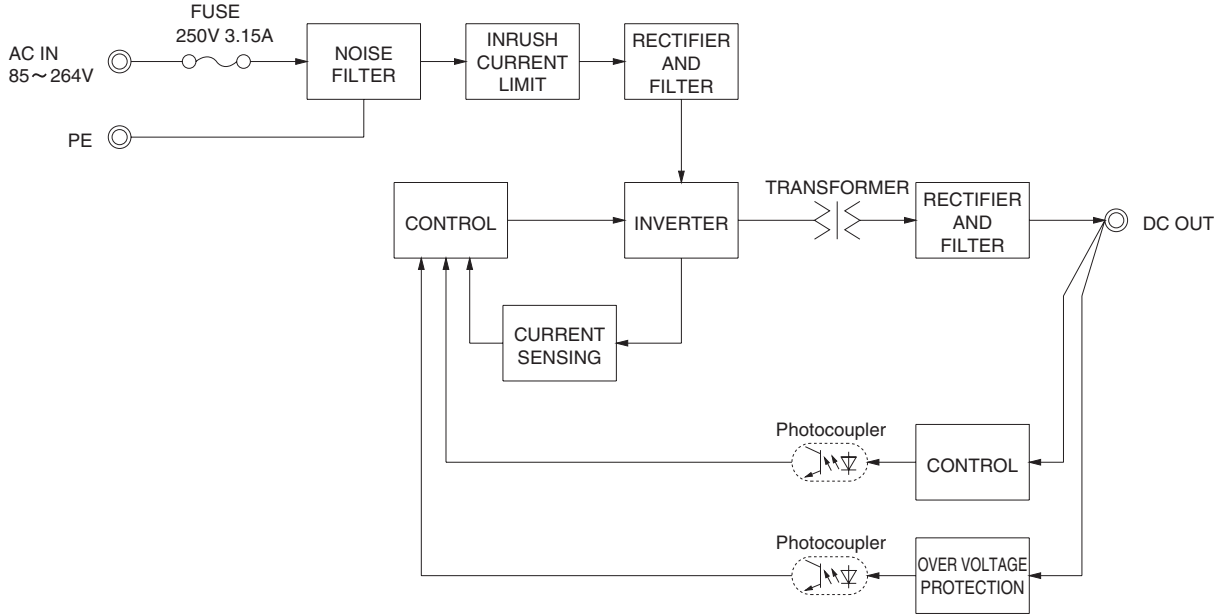
Please contact us about ★ marked model.

	MODEL	KHEA/KHNA60F-12	KHEA/KHNA60F-24	
INPUT	VOLTAGE[V]	AC85 - 264 1 φ (Output derating is required) or DC120 - 370		
	CURRENT[A]	ACIN 115V	1.00typ	1.10typ
		ACIN 230V	0.60typ	0.70typ
	FREQUENCY[Hz]	50 / 60 (47 - 440) or DC		
	EFFICIENCY[%]	ACIN 115V	86.0typ	89.0typ
		ACIN 230V	88.0typ	91.0typ
INRUSH CURRENT[A]	ACIN 115V	18typ (I <sub>o</sub> =100%) (at cold start Ta=25°C)		
	ACIN 230V	35typ (I <sub>o</sub> =100%) (at cold start Ta=25°C)		
LEAKAGE CURRENT[ma]	0.45 / 0.75max (ACIN 100V / 240V 60Hz, I <sub>o</sub> =100%, According to IEC60950-1 and DEN-AN)			
OUTPUT	VOLTAGE[V]	12	24	
	CURRENT[A]	4.5	2.5	
	PEAK CURRENT[A]	-	-	
	LINE REGULATION[mV]	*2 48max	96max	
	LOAD REGULATION[mV]	*2 100max	150max	
	RIPPLE[mVp-p]	0 to +70°C	200max	200max
		-20 - 0°C	300max	300max
		I <sub>o</sub> =0 - 30%	300max *4	300max *4
	RIPPLE NOISE[mVp-p]	0 to +70°C	260max	260max
		-20 - 0°C	360max	360max
		I <sub>o</sub> =0 - 30%	360max *4	360max *4
	TEMPERATURE REGULATION[mV]	0 to +70°C	120max	240max
		-20 to +70°C	150max	290max
	DRIFT[mV]	*5 48max	96max	
START-UP TIME[ms]	200typ (ACIN 115V, I <sub>o</sub> =100%)			
HOLD-UP TIME[ms]	20typ (ACIN 115V, I <sub>o</sub> =100%)			
OUTPUT VOLTAGE ADJUSTMENT RANGE[V]	10.80 to 13.20	22.50 to 28.50		
OUTPUT VOLTAGE SETTING[V]	12.00 to 12.48	24.00 to 24.96		
PROTECTION CIRCUIT AND OTHERS	OVERCURRENT PROTECTION	Works over 105% of rating and recovers automatically *10		
	OVERVOLTAGE PROTECTION[V]	13.80 to 16.80	30.00 to 36.00	
	DC_OK LAMP	LED (Green)		
ISOLATION	INPUT-OUTPUT	AC3,000V 1minute, Cutoff current = 10mA, DC500V 50MΩ min (At Room Temperature)		
	INPUT-PE	AC2,000V 1minute, Cutoff current = 10mA, DC500V 50MΩ min (At Room Temperature)		
	OUTPUT-PE	AC500V 1minute, Cutoff current = 100mA, DC500V 50MΩ min (At Room Temperature)		
ENVIRONMENT	OPERATING TEMP., HUMID. AND ALTITUDE	-20 to +70°C (Required to Derating), 20 - 90%RH (Non condensing)		
	STORAGE TEMP., HUMID. AND ALTITUDE	-30 to +85°C, 20 - 90%RH (Non condensing)		
	VIBRATION	*8 10 - 55Hz, 19.6m/s <sup>2</sup> (2G), 3minutes period, 60 minutes along Z axis (Non operating, mounted on DIN Rail)		
	IMPACT	196.1m/s <sup>2</sup> (20G), 11ms, once each X, Y and Z axis (Packing state)		
SAFETY AND NOISE REGULATIONS	AGENCY APPROVALS (At only AC input)	UL60950-1, C-UL(CSA60950-1), UL508 (NEC Class2 per UL1310), ANSI/ISA12.12.01, EN60950-1, EN50178 Complies with DEN-AN		
	CONDUCTED NOISE	Complies with FCC-B, VCCI-B, CISPR22-B, EN55011-B, EN55022-B		
	HARMONIC ATTENUATOR	Complies with IEC61000-3-2 (Class A) *6 (Not built-in to active filter) *9		
OTHERS	CASE SIZE	*7 32×90×90mm (W×H×D) [1.26×3.54×3.54 inches]		
	WEIGHT	270g max		
	COOLING METHOD	Convection / Forced air		

\*1 The value is primary surge. The current of input surge to a built-in EMI/EMC Filter(0.2ms or less) is excluded.  
 \*2 Please contact us about dynamic load and input response.  
 \*3 This is the value that measured on measuring board with capacitor of 22μF and 0.1μF at 150mm from output terminal.  
 Measured by 20MHz oscilloscope or Ripple-Noise meter (Equivalent to KEISOKU-GIKEN: RM103). Please refer to the instruction manual 2.7.  
 Ripple and ripple noise spec is change at I<sub>o</sub>=0 to 30% by burst operation.  
 \*4 In case of operating under 0°C ambient temperature, the value is two times of specification at 0 to 30% load factor.  
 \*5 Drift is the change in DC output for an eight hour period after a half-hour warm-up at 25°C, with the input voltage held constant at the rated input/output.

\*6 Please contact us about another class.  
 \*7 Case size contains neither the umbo.  
 \*8 Only as standard mounting orientation (A). Refer to the instruction manual 5.1.  
 If install other than standard mounting orientation (A), please fix the power supply for withstand the vibration and impact.  
 \*9 When two or more units are operating it may not comply with the IEC61000-3-2.  
 \*10 If the overcurrent protection circuit operates continuously, the output voltage shut down. Refer to the instruction manual 2.3.  
 \* To meet the specifications. Do not operate over-loaded condition.  
 \* A sound may occur from power supply at light or peak loading.

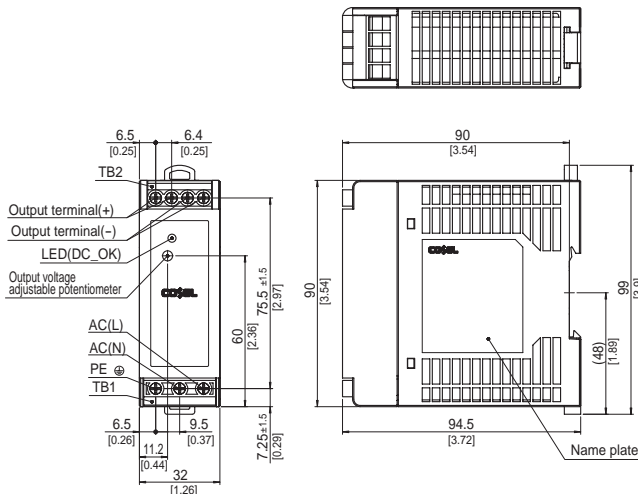
## Block diagram



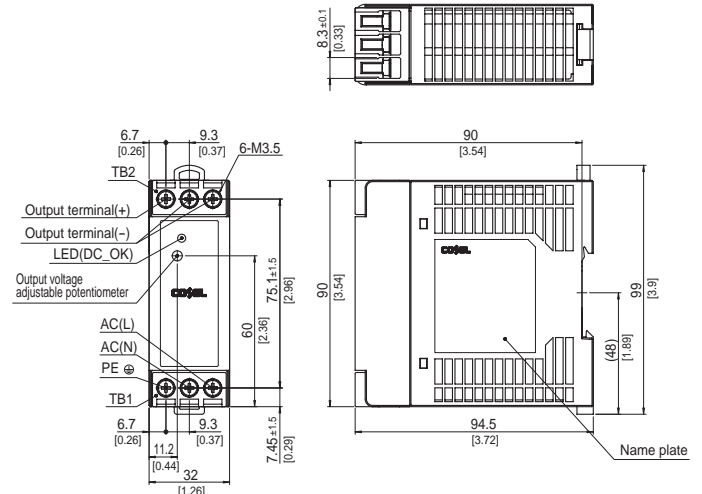
## External view

<KHEA60F(Euro Style I/O Terminals)>

<KHNA60F(Barrier Blocks Style I/O Terminals)>



- ※ Tolerance :  $\pm 1$  [ $\pm 0.04$ ]
- ※ Weight : 270g max
- ※ PCB Material/thickness : FR-4 / 1.6mm [0.06]
- ※ Chassis - Case material : PBT
- ※ Din rail attachment material : PC/ABS
- ※ Dimensions in mm, [ ] = inches
- ※ Screw tightening torque : 1N · m max

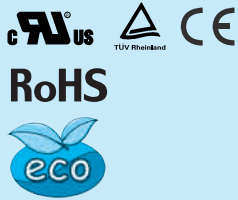


- ※ Tolerance :  $\pm 1$  [ $\pm 0.04$ ]
- ※ Weight : 270g max
- ※ PCB Material/thickness : FR-4 / 1.6mm [0.06]
- ※ Chassis - Case material : PBT
- ※ Din rail attachment material : PC/ABS
- ※ Dimensions in mm, [ ] = inches
- ※ Screw tightening torque : 1N · m max

# KHEA/KHNA90F

KH  A 90 F -   -

① ② ③ ④ ⑤ ⑥



Recommended EM/EMC Filter  
NAC-04-472-D



High voltage pulse noise type : NAP series  
Low leakage current type : NAM series  
\*The EM/EMC Filter is recommended to connect with several devices.

- ① Series name  
KHE : Euro style I/O terminals  
KHN : Barrier blocks style I/O terminals
- ② Single output
- ③ Output wattage
- ④ Universal input
- ⑤ Output voltage
- ⑥ Option  
C : with Coating

MODEL	★ KHEA/KHNA90F-12	KHEA/KHNA90F-24
MAX OUTPUT WATTAGE[W]	81.6	91.2
DC OUTPUT	12V 6.8A	24V 3.8A

## SPECIFICATIONS

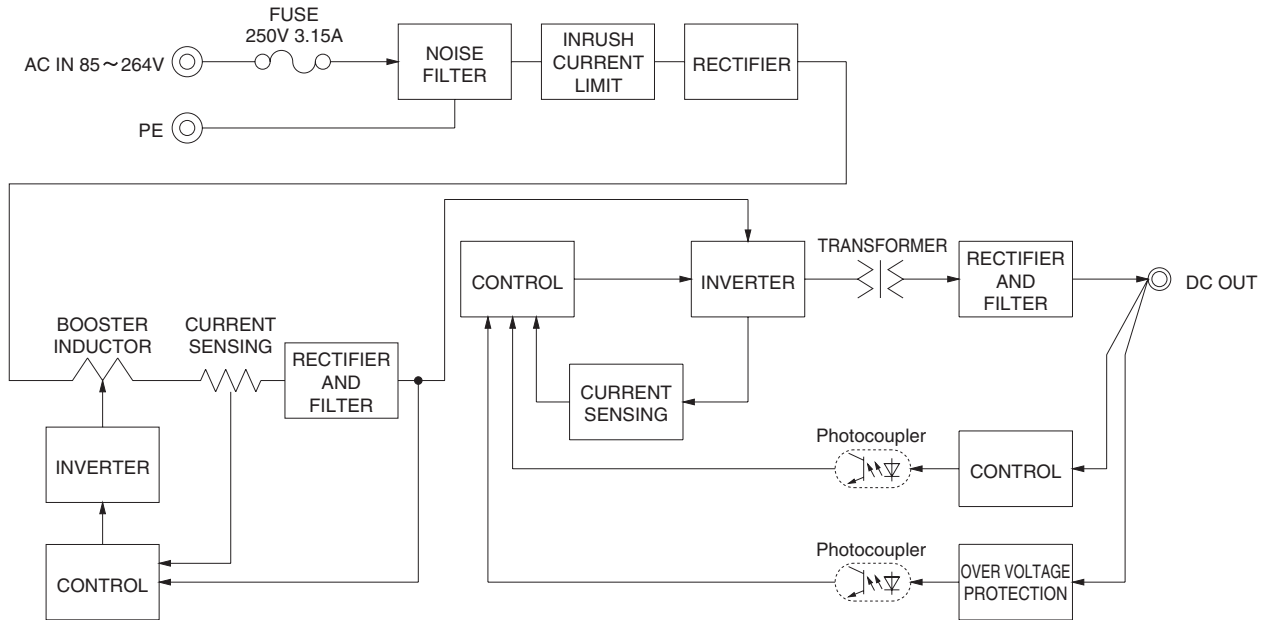
Please contact us about ★ marked model.

	MODEL	KHEA/KHNA90F-12	KHEA/KHNA90F-24	
INPUT	VOLTAGE[V]	AC85 - 264 1 φ (Output derating is required) *10		
	CURRENT[A]	ACIN 115V	0.85typ	0.95typ
		ACIN 230V	0.45typ	0.55typ
	FREQUENCY[Hz]	50 / 60 (47 - 63)		
	EFFICIENCY[%]	ACIN 115V	87.0typ	89.0typ
		ACIN 230V	88.0typ	91.0typ
	POWER FACTOR (Io=100%)	ACIN 115V	0.98typ	
		ACIN 230V	0.86typ	
INRUSH CURRENT[A]	ACIN 115V	18typ (Io=100%) (at cold start Ta=25°C)		
	*1 ACIN 230V	35typ (Io=100%) (at cold start Ta=25°C)		
LEAKAGE CURRENT[ma]	0.45 / 0.75max (ACIN 100V / 240V 60Hz, Io=100%, According to IEC60950-1 and DEN-AN)			
OUTPUT	VOLTAGE[V]	12	24	
	CURRENT[A]	6.8	3.8	
	PEAK CURRENT[A]	-	-	
	LINE REGULATION[mV] *2	48max	96max	
	LOAD REGULATION[mV] *2	100max	150max	
	RIPPLE[mVp-p] *3	0 to +70°C	200max	200max
		-20 - 0°C	300max	300max
		Io=0 - 30%	300max *4	300max *4
	RIPPLE NOISE[mVp-p] *3	0 to +70°C	260max	260max
		-20 - 0°C	360max	360max
		Io=0 - 30%	360max *4	360max *4
	TEMPERATURE REGULATION[mV]	0 to +70°C	120max	240max
		-20 to +70°C	150max	290max
	DRIFT[mV] *5	48max	96max	
START-UP TIME[ms]	500typ (ACIN 115V, Io=100%)			
HOLD-UP TIME[ms]	20typ (ACIN 115V, Io=100%)			
OUTPUT VOLTAGE ADJUSTMENT RANGE[V]	10.80 to 13.20			
OUTPUT VOLTAGE SETTING[V]	12.00 to 12.48			
PROTECTION CIRCUIT AND OTHERS	OVERCURRENT PROTECTION	Works over 105% of rating and recovers automatically *9		
	OVERVOLTAGE PROTECTION[V]	13.80 to 16.80	30.00 to 36.00	
	DC_OK LAMP	LED (Green)		
ISOLATION	INPUT-OUTPUT	AC3,000V 1minute, Cutoff current = 10mA, DC500V 50MΩ min (At Room Temperature)		
	INPUT-PE	AC2,000V 1minute, Cutoff current = 10mA, DC500V 50MΩ min (At Room Temperature)		
	OUTPUT-PE	AC500V 1minute, Cutoff current = 100mA, DC500V 50MΩ min (At Room Temperature)		
ENVIRONMENT	OPERATING TEMP., HUMID. AND ALTITUDE	-20 to +70°C (Required to Derating), 20 - 90%RH (Non condensing)		
	STORAGE TEMP., HUMID. AND ALTITUDE	-30 to +85°C, 20 - 90%RH (Non condensing)		
	VIBRATION *8	10 - 55Hz, 19.6m/s <sup>2</sup> (2G), 3minutes period, 60 minutes along Z axis (Non operating, mounted on DIN Rail)		
	IMPACT	196.1m/s <sup>2</sup> (20G), 11ms, X, Y and Z axis (Packing state)		
SAFETY AND NOISE REGULATIONS	AGENCY APPROVALS (At only AC input)	UL60950-1, C-UL(CSA60950-1), EN60950-1, EN50178, UL508, ANSI/ISA12.12.01 Complies with DEN-AN		
	CONDUCTED NOISE	Complies with FCC-B, VCCI-B, CISPR22-B, EN55011-B, EN55022-B		
	HARMONIC ATTENUATOR	Complies with IEC61000-3-2 (Class A) *6		
OTHERS	CASE SIZE *7	50×90×90mm (W×H×D) [1.97×3.54×3.54 inches]		
	WEIGHT	405g max		
	COOLING METHOD	Convection / Forced air		

\*1 The value is primary surge. The current of input surge to a built-in EM/EMC Filter(0.2ms or less) is excluded.  
 \*2 Please contact us about dynamic load and input response.  
 \*3 This is the value that measured on measuring board with capacitor of 22μF and 0.1μF at 150mm from output terminal.  
 Measured by 20MHz oscilloscope or Ripple-Noise meter (Equivalent to KEISOKU-GIKEN: RM103). Please refer to the instruction manual 2.7.  
 Ripple and ripple noise spec is change at Io=0 to 30% by burst operation.  
 \*4 In case of operating under 0°C ambient temperature, the value is two times of specification at 0 to 30% load factor.  
 \*5 Drift is the change in DC output for an eight hour period after a half-hour warm-up at 25°C, with the input voltage held constant at the rated input/output.

\*6 Please contact us about another class.  
 \*7 Case size contains neither the umbo.  
 \*8 Only as standard mounting orientation (A). Refer to the instruction manual 5.1.  
 If install other than standard mounting orientation (A), please fix the power supply for withstand the vibration and impact.  
 \*9 If the overcurrent protection circuit operates continuously, the output voltage shut down. Refer to the instruction manual 2.3.  
 \*10 Please contact us about DC input voltage.  
 \* To meet the specifications. Do not operate over-loaded condition.  
 \* A sound may occur from power supply at light or peak loading.

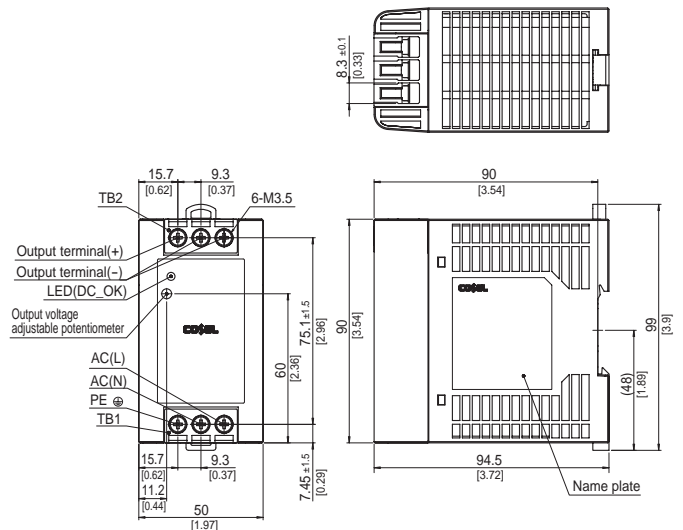
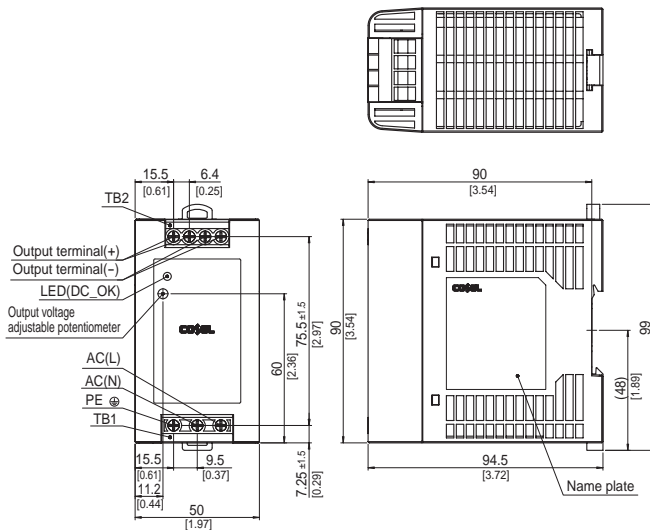
## Block diagram



## External view

<KHEA90F(Euro Style I/O Terminals)>

<KHNA90F(Barrier Blocks Style I/O Terminals)>



- ※ Tolerance :  $\pm 1$  [ $\pm 0.04$ ]
- ※ Weight : 405g max
- ※ PCB Material/thickness : FR-4 / 1.6mm [0.06]
- ※ Chassis · Case material : PBT
- ※ Din rail attachment material : PC/ABS
- ※ Dimensions in mm, [ ] = inches
- ※ Screw tightening torque : 1N · m max

- ※ Tolerance :  $\pm 1$  [ $\pm 0.04$ ]
- ※ Weight : 405g max
- ※ PCB Material/thickness : FR-4 / 1.6mm [0.06]
- ※ Chassis · Case material : PBT
- ※ Din rail attachment material : PC/ABS
- ※ Dimensions in mm, [ ] = inches
- ※ Screw tightening torque : 1N · m max

# KHEA series

KHE A  F -24 -

① ② ③ ④ ⑤ ⑥



Recommended EMI/EMC Filter  
 KHEA120F NAC-04-472-D  
 KHEA240F NAC-06-472-D  
 KHEA480F NAC-10-472-D



High voltage pulse noise type : NAP series  
 Low leakage current type : NAM series  
 \*The EMI/EMC Filter is recommended to connect with several devices.

- ① Series name
- ② Single output
- ③ Output wattage
- ④ Universal input
- ⑤ Output voltage
- ⑥ Option  
 C : with Coating  
 N2: Screw mounting

MODEL	KHEA120F-24	KHEA240F-24	KHEA480F-24
MAX OUTPUT WATTAGE[W]	120	240	480
DC OUTPUT	24V 5A (Peak 7.5A)	24V 10A (Peak 15A)	24V 20A (Peak 30A)

## SPECIFICATIONS

	MODEL	KHEA120F-24	KHEA240F-24	KHEA480F-24	
INPUT	VOLTAGE[V]	AC85 - 264 1 φ or DC120 - 370		AC85 - 264 1 φ *11 *12	
	CURRENT[A]	ACIN 115V	1.2typ	2.3typ	4.6typ
		ACIN 230V	0.6typ	1.2typ	2.3typ
	FREQUENCY[Hz]	50 / 60 (47 - 63) or DC		50 / 60 (47 - 63)	
	EFFICIENCY[%]	ACIN 115V	90typ	92typ	92typ
		ACIN 230V	92typ	94typ	94typ
	POWER FACTOR	ACIN 115V	0.98typ	0.98typ	0.98typ
		ACIN 230V	0.93typ	0.93typ	0.93typ
INRUSH CURRENT[A]	ACIN 115V	15typ (at cold start Ta=25°C)	20typ (more than 3 sec. to re-start)		
	*1 ACIN 230V	30typ (at cold start Ta=25°C)	40typ (more than 3 sec. to re-start)		
LEAKAGE CURRENT[ma]	0.45 / 0.75max		0.75 / 1.5max		
	(ACIN 100V / 240V 60Hz, Io=100%, According to IEC60950-1 and DEN-AN)				
OUTPUT	VOLTAGE[V]	24	24	24	
	CURRENT[A]	5	10	20	
	PEAK CURRENT[A]	*2 7.5	15	30	
	LINE REGULATION[mV]	*3 96max		96max (Io=30-100%) *10	
	LOAD REGULATION[mV]	*3 150max *4		150max (Io=30-100%) *10	
	RIPPLE[mVp-p]	0 to +70°C	120max	120max	
		-25 - 0°C	240max	240max	
		Io=0 - 30%	240max *4	500max	
	RIPPLE NOISE[mVp-p]	0 to +70°C	150max	150max	
		-25 - 0°C	300max	300max	
		Io=0 - 30%	300max *4	600max	
	TEMPERATURE REGULATION[mV]	0 to +70°C	240max *4	240max	
		-25 to +70°C	360max *4	360max	
	DRIFT[mV]	*6 96max		96max	
START-UP TIME[ms]	750max (ACIN 115V, Io=100%)		750max (ACIN 115V, Io=100%)		
HOLD-UP TIME[ms]	20typ (ACIN 115V, Io=100%)		20typ (ACIN 115V, Io=100%)		
OUTPUT VOLTAGE ADJUSTMENT RANGE[V]	22.5 to 28.5		22.5 to 26.4		
OUTPUT VOLTAGE SETTING[V]	24.0±1.0%		24.0±1.0%		
PROTECTION CIRCUIT AND OTHERS	OVERCURRENT PROTECTION	Works over 101% of peak current and recovers automatically			
	OVERVOLTAGE PROTECTION[V]	30.0 to 36.0			
	DC_OK LAMP	LED (Green)			
	ALARM LAMP	LED (Red)			
ISOLATION	DC_OK CONTACT	Relay contact 30VDC 1A max, 30VAC 0.5A max (resistive load)			
	INPUT-OUTPUT	AC3,000V 1minute, Cutoff current = 10mA, DC500V 50MΩ min (At Room Temperature)			
	INPUT-PE	AC2,000V 1minute, Cutoff current = 10mA, DC500V 50MΩ min (At Room Temperature)			
	OUTPUT-PE	AC500V 1minute, Cutoff current = 100mA, DC500V 50MΩ min (At Room Temperature)			
ENVIRONMENT	OUTPUT-RC, DC_OK	AC500V 1minute, Cutoff current = 100mA, DC500V 50MΩ min (At Room Temperature)			
	OPERATING TEMP., HUMID. AND ALTITUDE	-25 to +70°C (Required to Derating), 20 - 90%RH (Non condensing)			
	STORAGE TEMP., HUMID. AND ALTITUDE	-40 to +85°C, 20 - 90%RH (Non condensing)			
	VIBRATION	*9 10 - 55Hz, 19.6m/s <sup>2</sup> (2G), 3minutes period, 60 minutes along Z axis (Non operating, mounted on DIN Rail)			
SAFETY AND NOISE REGULATIONS	IMPACT	196.1m/s <sup>2</sup> (20G), 11ms, once each X, Y and Z axis (Packing state)			
	AGENCY APPROVALS (At only AC input)	UL60950-1, C-UL (CSA60950-1), EN60950-1, EN50178, UL508, ANSI / ISA12.12.01 Complies with DEN-AN			
	CONDUCTED NOISE	Complies with FCC-B, VCCI-B, CISPR22-B, EN55011-B, EN55022-B			
OTHERS	HARMONIC ATTENUATOR	Complies with IEC61000-3-2 (Class A) *7			
	CASE SIZE	*8 37×124×117mm (W×H×D) [1.46×4.88×4.61 inches]	50×124×117mm (W×H×D) [1.97×4.88×4.61 inches]	70×124×117mm (W×H×D) [2.76×4.88×4.61 inches]	
	WEIGHT	580g max	900g max	1,200g max	
	COOLING METHOD	Convection / Forced air			

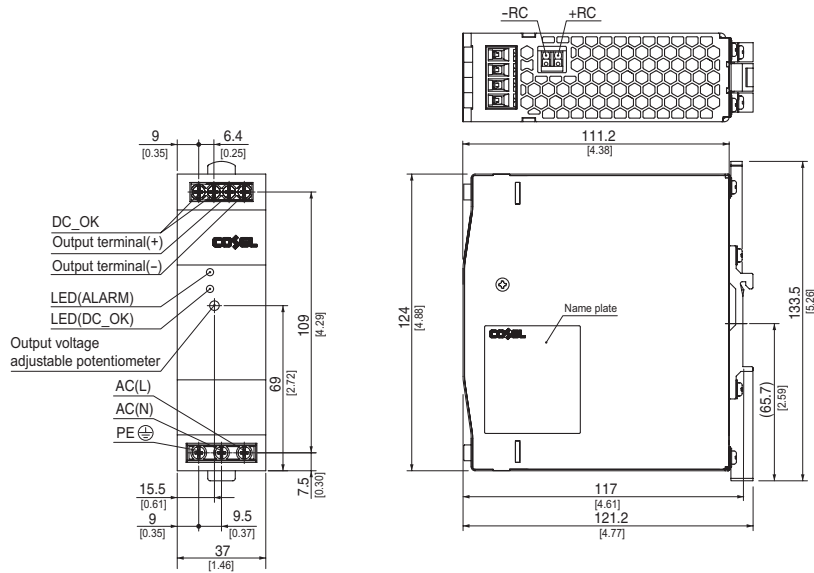
\*1 The value is primary surge. The current of input surge to a built-in EMI/EMC Filter (0.2ms or less) is excluded.  
 \*2 Refer to 3. instruction manual.  
 \*3 Please contact us about dynamic load and input response.  
 \*4 The output voltage is below 23.5V, the value is equal to three times of the specification.  
 \*5 This is the value that measured on measuring board with capacitor of 22 μF and 0.1 μF at 150mm from output terminal.

Measured by 20MHz oscilloscope or Ripple-Noise meter (Equivalent to KEISOKU-GIKEN: RM103).  
 Please refer to the instruction manual 2.7.  
 \*6 Drift is the change in DC output for an eight hour period after a half-hour warm-up at 25°C, with the input voltage held constant at the rated input/output.  
 \*7 Please contact us about another class.  
 \*8 Case size contains neither the umbo.

\*9 Only as standard mounting orientation (A). Refer to the instruction manual 5.1. If install other than standard mounting orientation (A), please fix the power supply for withstand the vibration and impact.  
 \*10 Burst operation at 30% load or less.  
 \*11 Output derating is required. Please refer to the instruction manual 5.2.  
 \*12 Please contact us about DC input voltage.  
 \* To meet the specifications. Do not operate over-loaded condition.  
 \* A sound may occur from power supply at light or peak loading.

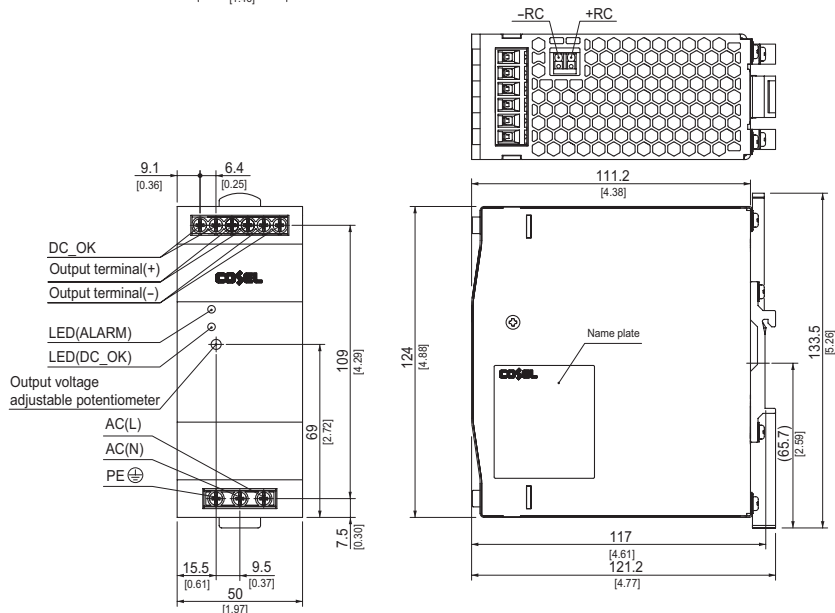
## External view

### ■KHEA120F



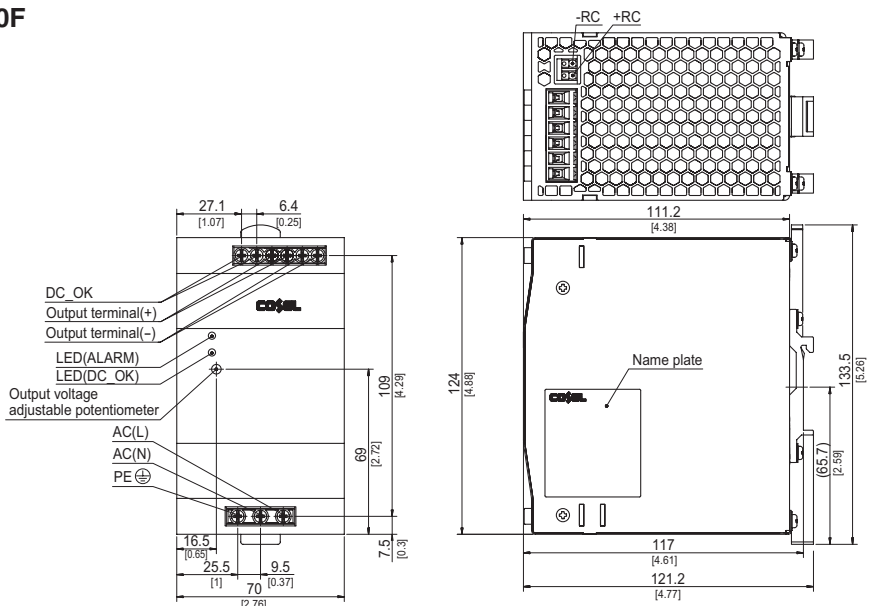
- ※ Tolerance :  $\pm 1$  [ $\pm 0.04$ ]
- ※ Weight : 580g max
- ※ PCB Material/thickness : FR-4 / 1.6mm [0.06]
- ※ Chassis material : Aluminum
- ※ Case material : Stainless steel
- ※ DIN rail attachment material : Aluminum, Nylon
- ※ Dimensions in mm, [ ] = inches
- ※ Screw tightening torque : 1N · m max

### ■KHEA240F



- ※ Tolerance :  $\pm 1$  [ $\pm 0.04$ ]
- ※ Weight : 900g max
- ※ PCB Material/thickness : FR-4 / 1.6mm [0.06]
- ※ Chassis material : Aluminum
- ※ Case material : Stainless steel
- ※ DIN rail attachment material : Aluminum, Nylon
- ※ Dimensions in mm, [ ] = inches
- ※ Screw tightening torque : 1N · m max

### ■KHEA480F



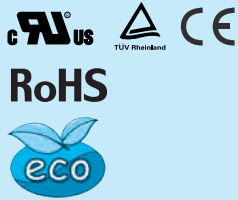
- ※ Tolerance :  $\pm 1$  [ $\pm 0.04$ ]
- ※ Weight : 1,200g max
- ※ PCB Material/thickness : FR-4 / 1.6mm [0.06]
- ※ Chassis material : Aluminum
- ※ Case material : Stainless steel
- ※ DIN rail attachment material : Aluminum, Nylon
- ※ Dimensions in mm, [ ] = inches
- ※ Screw tightening torque : 1N · m max



# KHNA series

KHN A    F -24 -

① ② ③ ④ ⑤ ⑥



Recommended EMI/EMC Filter  
 KHNA120F NAC-04-472-D  
 KHNA240F NAC-06-472-D  
 KHNA480F NAC-10-472-D



High voltage pulse noise type : NAP series  
 Low leakage current type : NAM series  
 \*The EMI/EMC Filter is recommended to connect with several devices.

- ① Series name
- ② Single output
- ③ Output wattage
- ④ Universal input
- ⑤ Output voltage
- ⑥ Option
- C : with Coating
- N2: Screw mounting

MODEL	KHNA120F-24	KHNA240F-24	KHNA480F-24
MAX OUTPUT WATTAGE[W]	120	240	480
DC OUTPUT	24V 5A (Peak 7.5A)	24V 10A (Peak 15A)	24V 20A (Peak 30A)

## SPECIFICATIONS

	MODEL	KHNA120F-24	KHNA240F-24	KHNA480F-24	
INPUT	VOLTAGE[V]	AC85 - 264 1 φ or DC120 - 370		AC85 - 264 1 φ *11 *12	
	CURRENT[A]	ACIN 115V	1.2typ	2.3typ	4.6typ
		ACIN 230V	0.6typ	1.2typ	2.3typ
	FREQUENCY[Hz]	50 / 60 (47 - 63) or DC		50 / 60 (47 - 63)	
	EFFICIENCY[%]	ACIN 115V	90typ	92typ	92typ
		ACIN 230V	92typ	94typ	94typ
	POWER FACTOR	ACIN 115V	0.98typ	0.98typ	0.98typ
		ACIN 230V	0.93typ	0.93typ	0.93typ
INRUSH CURRENT[A]	ACIN 115V	15typ (at cold start Ta=25°C)	20typ (more than 3 sec. to re-start)		
	*1 ACIN 230V	30typ (at cold start Ta=25°C)	40typ (more than 3 sec. to re-start)		
LEAKAGE CURRENT[ma]		0.45 / 0.75max		0.75 / 1.5max	
		(ACIN 100V / 240V 60Hz, Io=100%, According to IEC60950-1 and DEN-AN)			
OUTPUT	VOLTAGE[V]	24	24	24	
	CURRENT[A]	5	10	20	
	PEAK CURRENT[A]	*2 7.5	15	30	
	LINE REGULATION[mV]	*3 96max		96max (Io=30-100%) *10	
	LOAD REGULATION[mV]	*3 150max *4		150max (Io=30-100%) *10	
	RIPPLE[mVp-p]	0 to +70°C	120max		120max
		-25 - 0°C	240max		240max
		Io=0 - 30%	240max *4		500max
	RIPPLE NOISE[mVp-p]	0 to +70°C	150max		150max
		-25 - 0°C	300max		300max
		Io=0 - 30%	300max *4		600max
	TEMPERATURE REGULATION[mV]	0 to +70°C	240max *4		240max
		-25 to +70°C	360max *4		360max
	DRIFT[mV]	*6 96max		96max	
START-UP TIME[ms]	750max (ACIN 115V, Io=100%)		750max (ACIN 115V, Io=100%)		
HOLD-UP TIME[ms]	20typ (ACIN 115V, Io=100%)		20typ (ACIN 115V, Io=100%)		
OUTPUT VOLTAGE ADJUSTMENT RANGE[V]	22.5 to 28.5		22.5 to 26.4		
OUTPUT VOLTAGE SETTING[V]	24.0±1.0%		24.0±1.0%		
PROTECTION CIRCUIT AND OTHERS	OVERCURRENT PROTECTION	Works over 101% of peak current and recovers automatically			
	OVERVOLTAGE PROTECTION[V]	30.0 to 36.0			
	DC_OK LAMP	LED (Green)			
	ALARM LAMP	LED (Red)			
	DC_OK CONTACT	-			
ISOLATION	INPUT-OUTPUT	AC3,000V 1minute, Cutoff current = 10mA, DC500V 50MΩ min (At Room Temperature)			
	INPUT-PE	AC2,000V 1minute, Cutoff current = 10mA, DC500V 50MΩ min (At Room Temperature)			
	OUTPUT-PE	AC500V 1minute, Cutoff current = 100mA, DC500V 50MΩ min (At Room Temperature)			
	OUTPUT-RC	AC500V 1minute, Cutoff current = 100mA, DC500V 50MΩ min (At Room Temperature)			
ENVIRONMENT	OPERATING TEMP., HUMID. AND ALTITUDE	-25 to +70°C (Required to Derating), 20 - 90%RH (Non condensing)			
	STORAGE TEMP., HUMID. AND ALTITUDE	-40 to +85°C, 20 - 90%RH (Non condensing)			
	VIBRATION	*9 10 - 55Hz, 19.6m/s <sup>2</sup> (2G), 3minutes period, 60 minutes along Z axis (Non operating, mounted on DIN Rail)			
	IMPACT	196.1m/s <sup>2</sup> (20G), 11ms, once each X, Y and Z axis (Packing state)			
SAFETY AND NOISE REGULATIONS	AGENCY APPROVALS (At only AC input)	UL60950-1, C-UL (CSA60950-1), EN60950-1, EN50178, UL508, ANSI / ISA12.12.01 Complies with DEN-AN			
	CONDUCTED NOISE	Complies with FCC-B, VCCI-B, CISPR22-B, EN55011-B, EN55022-B			
	HARMONIC ATTENUATOR	Complies with IEC61000-3-2 (Class A) *7			
OTHERS	CASE SIZE	*8 37×124×117mm (W×H×D) [1.46×4.88×4.61 inches]	50×124×117mm (W×H×D) [1.97×4.88×4.61 inches]	70×124×117mm (W×H×D) [2.76×4.88×4.61 inches]	
	WEIGHT	580g max	900g max	1,200g max	
	COOLING METHOD	Convection / Forced air			

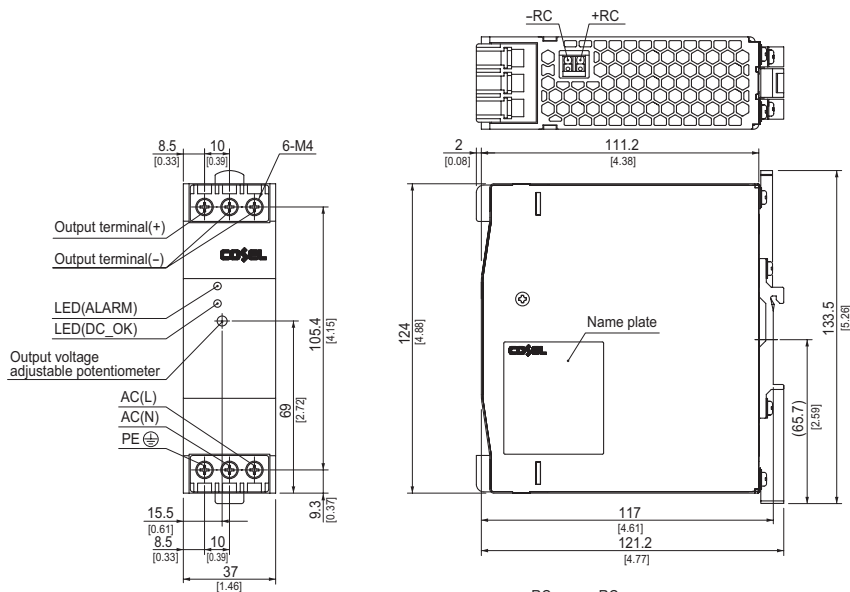
\*1 The value is primary surge. The current of input surge to a built-in EMI/EMC Filter (0.2ms or less) is excluded.  
 \*2 Refer to 3. instruction manual.  
 \*3 Please contact us about dynamic load and input response.  
 \*4 The output voltage is below 23.5V, the value is equal to three times of the specification.  
 \*5 This is the value that measured on measuring board with capacitor of 22 μF and 0.1 μF at 150mm from output terminal.

Measured by 20MHz oscilloscope or Ripple-Noise meter (Equivalent to KEISOKU-GIKEN: RM103). Please refer to the instruction manual 2.7.  
 \*6 Drift is the change in DC output for an eight hour period after a half-hour warm-up at 25°C, with the input voltage held constant at the rated input/output.  
 \*7 Please contact us about another class.  
 \*8 Case size contains neither the umbo.

\*9 Only as standard mounting orientation (A). Refer to the instruction manual 5.1. If install other than standard mounting orientation (A), please fix the power supply for withstand the vibration and impact.  
 \*10 Burst operation at 30% load or less.  
 \*11 Output derating is required. Please refer to the instruction manual 5.2.  
 \*12 Please contact us about DC input voltage.  
 \* To meet the specifications. Do not operate over-loaded condition.  
 \* A sound may occur from power supply at light or peak loading.

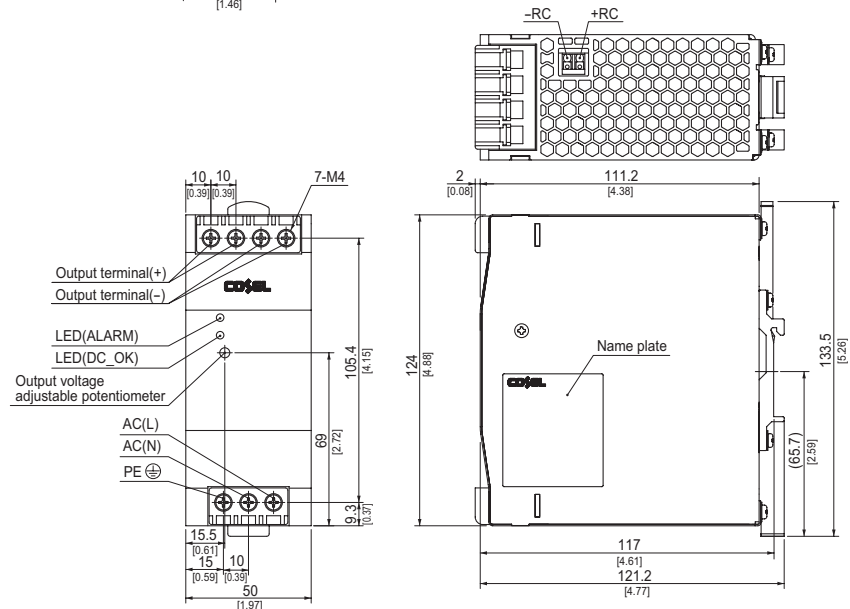
## External view

### ■ KHNA120F



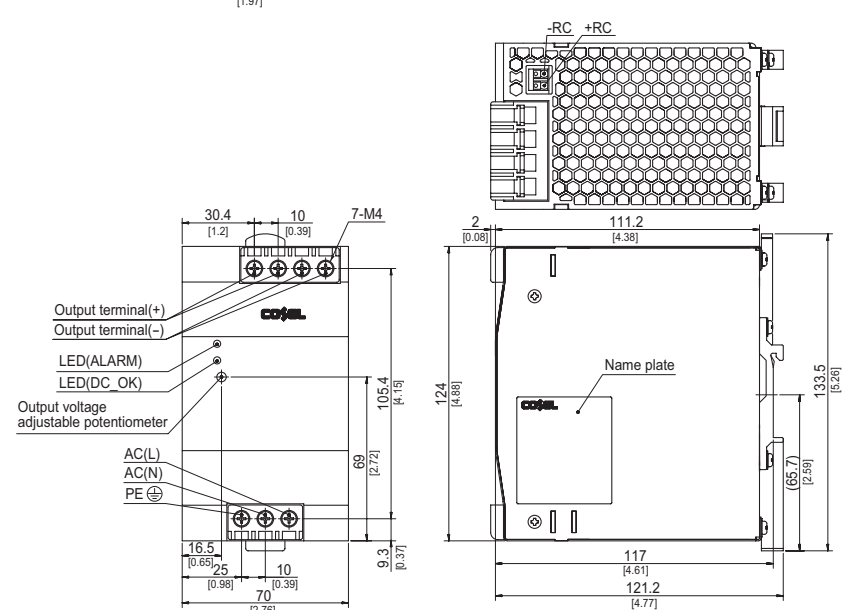
- ※ Tolerance :  $\pm 1$  [ $\pm 0.04$ ]
- ※ Weight : 580g max
- ※ PCB Material/thickness : FR-4 / 1.6mm [0.06]
- ※ Chassis material : Aluminum
- ※ Case material : Stainless steel
- ※ DIN rail attachment material : Aluminum, Nylon
- ※ Dimensions in mm, [ ] = inches
- ※ Screw tightening torque : 1.6N · m max

### ■ KHNA240F



- ※ Tolerance :  $\pm 1$  [ $\pm 0.04$ ]
- ※ Weight : 900g max
- ※ PCB Material/thickness : FR-4 / 1.6mm [0.06]
- ※ Chassis material : Aluminum
- ※ Case material : Stainless steel
- ※ DIN rail attachment material : Aluminum, Nylon
- ※ Dimensions in mm, [ ] = inches
- ※ Screw tightening torque : 1.6N · m max

### ■ KHNA480F



- ※ Tolerance :  $\pm 1$  [ $\pm 0.04$ ]
- ※ Weight : 1,200g max
- ※ PCB Material/thickness : FR-4 / 1.6mm [0.06]
- ※ Chassis material : Aluminum
- ※ Case material : Stainless steel
- ※ DIN rail attachment material : Aluminum, Nylon
- ※ Dimensions in mm, [ ] = inches
- ※ Screw tightening torque : 1.6N · m max

# Mouser Electronics

Authorized Distributor

Click to View Pricing, Inventory, Delivery & Lifecycle Information:

Cosel:

[KHEA90F-24](#) [KHEA30F-12](#) [KHEA30F-5](#)

Компания «Океан Электроники» предлагает заключение долгосрочных отношений при поставках импортных электронных компонентов на взаимовыгодных условиях!

Наши преимущества:

- Поставка оригинальных импортных электронных компонентов напрямую с производств Америки, Европы и Азии, а так же с крупнейших складов мира;
- Широкая линейка поставок активных и пассивных импортных электронных компонентов (более 30 млн. наименований);
- Поставка сложных, дефицитных, либо снятых с производства позиций;
- Оперативные сроки поставки под заказ (от 5 рабочих дней);
- Экспресс доставка в любую точку России;
- Помощь Конструкторского Отдела и консультации квалифицированных инженеров;
- Техническая поддержка проекта, помощь в подборе аналогов, поставка прототипов;
- Поставка электронных компонентов под контролем ВП;
- Система менеджмента качества сертифицирована по Международному стандарту ISO 9001;
- При необходимости вся продукция военного и аэрокосмического назначения проходит испытания и сертификацию в лаборатории (по согласованию с заказчиком);
- Поставка специализированных компонентов военного и аэрокосмического уровня качества (Xilinx, Altera, Analog Devices, Intersil, Interpoint, Microsemi, Actel, Aeroflex, Peregrine, VPT, Syfer, Eurofarad, Texas Instruments, MS Kennedy, Miteq, Cobham, E2V, MA-COM, Hittite, Mini-Circuits, General Dynamics и др.);

Компания «Океан Электроники» является официальным дистрибьютором и эксклюзивным представителем в России одного из крупнейших производителей разъемов военного и аэрокосмического назначения «JONHON», а так же официальным дистрибьютором и эксклюзивным представителем в России производителя высокотехнологичных и надежных решений для передачи СВЧ сигналов «FORSTAR».



## JONHON

«JONHON» (основан в 1970 г.)

Разъемы специального, военного и аэрокосмического назначения:

(Применяются в военной, авиационной, аэрокосмической, морской, железнодорожной, горно- и нефтедобывающей отраслях промышленности)

«FORSTAR» (основан в 1998 г.)

ВЧ соединители, коаксиальные кабели, кабельные сборки и микроволновые компоненты:

(Применяются в телекоммуникациях гражданского и специального назначения, в средствах связи, РЛС, а так же военной, авиационной и аэрокосмической отраслях промышленности).



Телефон: 8 (812) 309-75-97 (многоканальный)

Факс: 8 (812) 320-03-32

Электронная почта: [ocean@oceanchips.ru](mailto:ocean@oceanchips.ru)

Web: <http://oceanchips.ru/>

Адрес: 198099, г. Санкт-Петербург, ул. Калинина, д. 2, корп. 4, лит. А