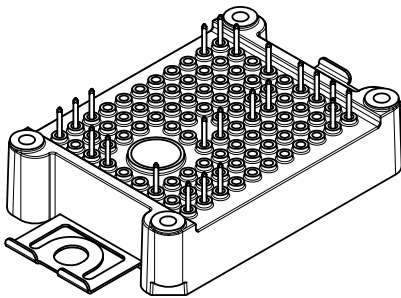
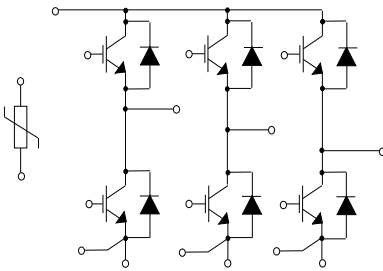


## ACEPACK™ 1 sixpack topology, 650 V, 50 A, trench gate field-stop M series IGBT with soft diode and NTC



ACEPACK™ 1



### Features

- ACEPACK™ 1 power module
  - DBC Cu Al<sub>2</sub>O<sub>3</sub> Cu
- Sixpack topology
  - 650 V, 50 A IGBTs and diodes
  - Soft and fast recovery diode
- Integrated NTC

### Applications

- Inverters
- Industrial
- Motor drives

### Description

This power module is a sixpack topology in an ACEPACK™ 1 package with NTC, integrating the advanced trench gate field-stop technologies from STMicroelectronics. This new IGBT technology represents the best compromise between conduction and switching loss, to maximize the efficiency of any converter system up to 20 kHz.



#### Product status

A1P50S65M2

#### Product summary

<b>Order code</b>	A1P50S65M2
<b>Marking</b>	A1P50S65M2
<b>Package</b>	ACEPACK™ 1
<b>Leads type</b>	Solder contact pins

# 1 Electrical ratings

## 1.1 IGBT

Limiting values at  $T_J = 25\text{ °C}$ , unless otherwise specified.

**Table 1. Absolute maximum ratings of the IGBT**

Symbol	Parameter	Value	Unit
$V_{CES}$	Collector-emitter voltage ( $V_{GE} = 0\text{ V}$ )	650	V
$I_C$	Continuous collector current ( $T_C = 100\text{ °C}$ )	50	A
$I_{CP}^{(1)}$	Pulsed collector current ( $t_p = 1\text{ ms}$ )	100	A
$V_{GE}$	Gate-emitter voltage	$\pm 20$	V
$P_{TOT}$	Total power dissipation of each IGBT ( $T_C = 25\text{ °C}$ , $T_J = 175\text{ °C}$ )	208	W
$T_{JMAX}$	Maximum junction temperature	175	°C
$T_{Jop}$	Operating junction temperature range under switching conditions	-40 to 150	°C

1. Pulse width limited by maximum junction temperature.

**Table 2. Electrical characteristics of the IGBT**

Symbol	Parameter	Test conditions	Min.	Typ.	Max.	Unit
$V_{(BR)CES}$	Collector-emitter breakdown voltage	$I_C = 1\text{ mA}$ , $V_{GE} = 0\text{ V}$	650			V
$V_{CE(sat)}$ (terminal)	Collector-emitter saturation voltage	$V_{GE} = 15\text{ V}$ , $I_C = 50\text{ A}$ $V_{GE} = 15\text{ V}$ , $I_C = 50\text{ A}$ , $T_J = 150\text{ °C}$		1.95 2.3	2.3	V
$V_{GE(th)}$	Gate threshold voltage	$V_{CE} = V_{GE}$ , $I_C = 1\text{ mA}$	5	6	7	V
$I_{CES}$	Collector cut-off current	$V_{GE} = 0\text{ V}$ , $V_{CE} = 650\text{ V}$			100	$\mu\text{A}$
$I_{GES}$	Gate-emitter leakage current	$V_{CE} = 0\text{ V}$ , $V_{GE} = \pm 20\text{ V}$			$\pm 500$	nA
$C_{ies}$	Input capacitance	$V_{CE} = 25\text{ V}$ , $f = 1\text{ MHz}$ , $V_{GE} = 0\text{ V}$		4150		pF
$C_{oes}$	Output capacitance			170		pF
$C_{res}$	Reverse transfer capacitance			80		pF
$Q_g$	Total gate charge	$V_{CC} = 520\text{ V}$ , $I_C = 50\text{ A}$ , $V_{GE} = \pm 15\text{ V}$		150		nC
$t_{d(on)}$	Turn-on delay time	$V_{CC} = 300\text{ V}$ , $I_C = 50\text{ A}$ , $R_G = 6.8\ \Omega$ , $V_{GE} = \pm 15\text{ V}$ ,		143		ns
$t_r$	Current rise time			16.5		ns
$E_{on}^{(1)}$	Turn-on switching energy	$di/dt = 2400\text{ A}/\mu\text{s}$		0.140		mJ
$t_{d(off)}$	Turn-off delay time	$V_{CC} = 300\text{ V}$ , $I_C = 50\text{ A}$ , $R_G = 6.8\ \Omega$ , $V_{GE} = \pm 15\text{ V}$ ,		112		ns
$t_f$	Current fall time			149		ns
$E_{off}^{(2)}$	Turn-off switching energy		$dv/dt = 7600\text{ V}/\mu\text{s}$		1.45	

Symbol	Parameter	Test conditions	Min.	Typ.	Max.	Unit
$t_{d(on)}$	Turn-on delay time	$V_{CC} = 300\text{ V}$ , $I_C = 50\text{ A}$ ,		148		ns
$t_r$	Current rise time	$R_G = 6.8\ \Omega$ , $V_{GE} = \pm 15\text{ V}$ ,		19.2		ns
$E_{on(1)}$	Turn-on switching energy	$di/dt = 2062\text{ A}/\mu\text{s}$ , $T_J = 150\text{ }^\circ\text{C}$		0.311		mJ
$t_{d(off)}$	Turn-off delay time	$V_{CC} = 300\text{ V}$ , $I_C = 50\text{ A}$ ,		110		ns
$t_f$	Current fall time	$R_G = 6.8\ \Omega$ , $V_{GE} = \pm 15\text{ V}$ ,		221		ns
$E_{off(2)}$	Turn-off switching energy	$dv/dt = 5800\text{ V}/\mu\text{s}$ , $T_J = 150\text{ }^\circ\text{C}$		1.98		mJ
$t_{SC}$	Short-circuit withstand time	$V_{CC} \leq 360\text{ V}$ , $V_{GE} \leq 15\text{ V}$ , $T_{Jstart} \leq 150\text{ }^\circ\text{C}$	6			$\mu\text{s}$
$R_{THJ-c}$	Thermal resistance junction-to-case	Each IGBT		0.65	0.72	$^\circ\text{C}/\text{W}$
$R_{THC-h}$	Thermal resistance case-to-heatsink	Each IGBT, $\lambda_{grease} = 1\text{ W}/(\text{m}\cdot^\circ\text{C})$		0.79		$^\circ\text{C}/\text{W}$

1. Including the reverse recovery of the diode.
2. Including the tail of the collector current.

## 1.2 Diode

Limiting values at  $T_J = 25\text{ }^\circ\text{C}$ , unless otherwise specified.

**Table 3. Absolute maximum ratings of the diode**

Symbol	Parameter	Value	Unit
$V_{RRM}$	Repetitive peak reverse voltage	650	V
$I_F$	Continuous forward current at ( $T_C = 100\text{ }^\circ\text{C}$ )	50	A
$I_{FP(1)}$	Pulsed forward current ( $t_p = 1\text{ ms}$ )	100	A
$T_{JMAX}$	Maximum junction temperature	175	$^\circ\text{C}$
$T_{Jop}$	Operating junction temperature range under switching conditions	-40 to 150	$^\circ\text{C}$

1. Pulse width limited by maximum junction temperature.

**Table 4. Electrical characteristics of the diode**

Symbol	Parameter	Test conditions	Min.	Typ.	Max.	Unit
$V_F$ (terminal)	Forward voltage	$I_F = 50\text{ A}$	-	1.85	2.65	V
		$I_F = 50\text{ A}$ , $T_J = 150\text{ }^\circ\text{C}$	-	1.65		
$t_{rr}$	Reverse recovery time		-	142		ns
$Q_{rr}$	Reverse recovery charge	$I_F = 50\text{ A}$ , $V_R = 300\text{ V}$ ,	-	1.87		$\mu\text{C}$
$I_{rrm}$	Reverse recovery current	$V_{GE} = \pm 15\text{ V}$ , $di/dt = 2400\text{ A}/\mu\text{s}$	-	40		A
$E_{rec}$	Reverse recovery energy		-	0.41		mJ
$t_{rr}$	Reverse recovery time		-	260		ns
$Q_{rr}$	Reverse recovery charge	$I_F = 50\text{ A}$ , $V_R = 300\text{ V}$ ,	-	5.2		$\mu\text{C}$
$I_{rrm}$	Reverse recovery current	$V_{GE} = \pm 15\text{ V}$ , $di/dt = 2062\text{ A}/\mu\text{s}$ ,	-	58		A
$E_{rec}$	Reverse recovery energy	$T_J = 150\text{ }^\circ\text{C}$	-	1.32		mJ

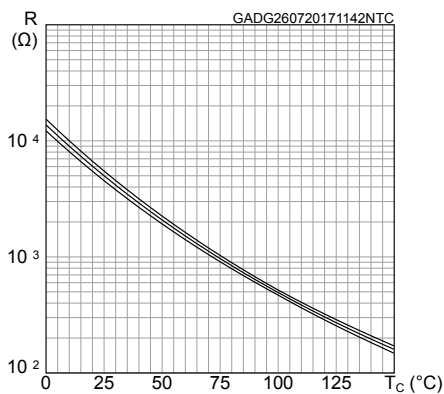
Symbol	Parameter	Test conditions	Min.	Typ.	Max.	Unit
$R_{THj-c}$	Thermal resistance junction-to-case	Each diode	-	1.0	1.1	°C/W
$R_{THc-h}$	Thermal resistance case-to-heatsink	Each diode, $\lambda_{grease} = 1 \text{ W/(m}\cdot\text{°C)}$	-	0.9		°C/W

### 1.3 NTC

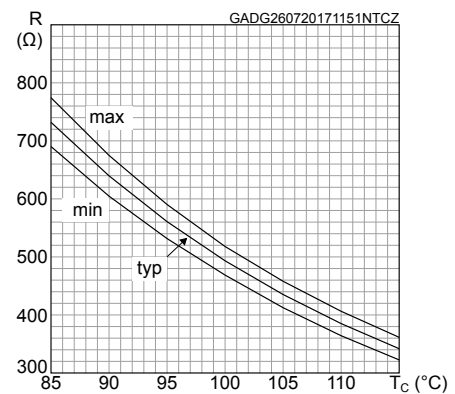
**Table 5. NTC temperature sensor, considered as stand-alone**

Symbol	Parameter	Test conditions	Min.	Typ.	Max.	Unit
$R_{25}$	Resistance	$T = 25^\circ\text{C}$		5		k $\Omega$
$R_{100}$	Resistance	$T = 100^\circ\text{C}$		493		$\Omega$
$\Delta R/R$	Deviation of $R_{100}$		-5		+5	%
$B_{25/50}$	B-constant			3375		K
$B_{25/80}$	B-constant			3411		K
T	Operating temperature range		-40		150	°C

**Figure 1. NTC resistance vs temperature**



**Figure 2. NTC resistance vs temperature, zoom**



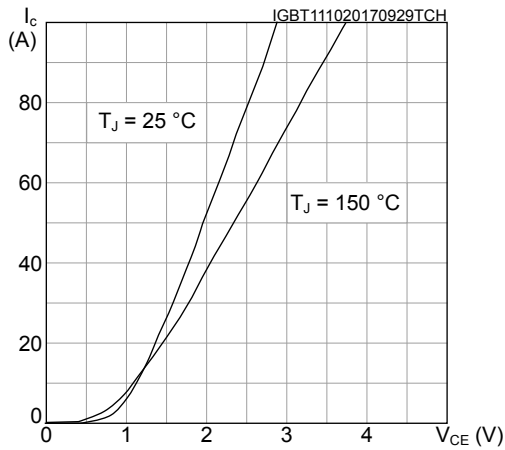
### 1.4 Package

**Table 6. ACEPACK™ 1 package**

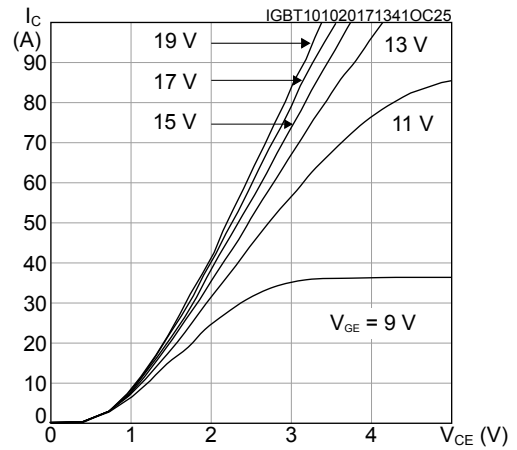
Symbol	Parameter	Min.	Typ.	Max.	Unit
$V_{isol}$	Isolation voltage (AC voltage, $t = 60 \text{ s}$ )			2500	Vrms
$T_{stg}$	Storage temperature	-40		125	°C
CTI	Comparative tracking index	200			
$L_s$	Stray inductance module P1 - EW loop		28.7		nH
$R_s$	Module single lead resistance, terminal-to-chip		3.9		m $\Omega$

## 2 Electrical characteristics (curves)

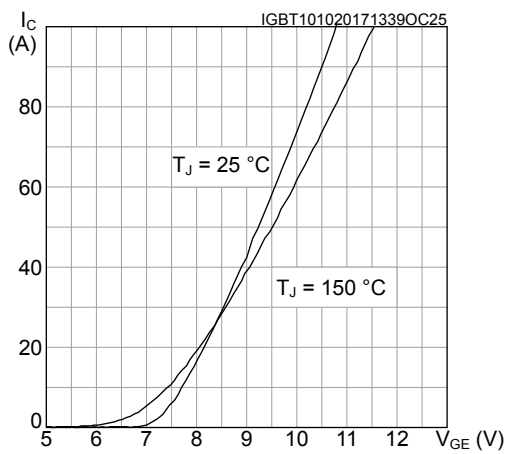
**Figure 3. IGBT output characteristics**  
( $V_{GE} = 15\text{ V}$ , terminal)



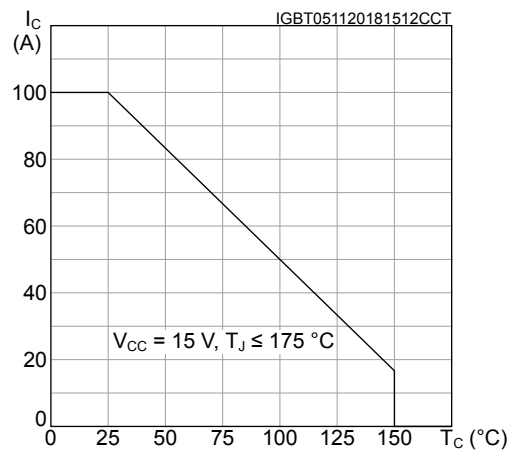
**Figure 4. IGBT output characteristics**  
( $T_J = 150^\circ\text{C}$ , terminal)



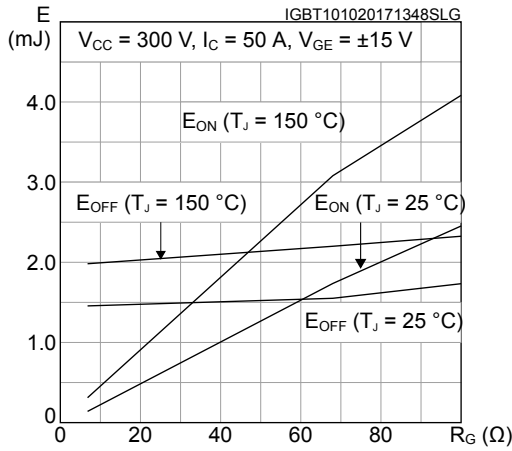
**Figure 5. IGBT transfer characteristics**  
( $V_{CE} = 15\text{ V}$ , terminal)



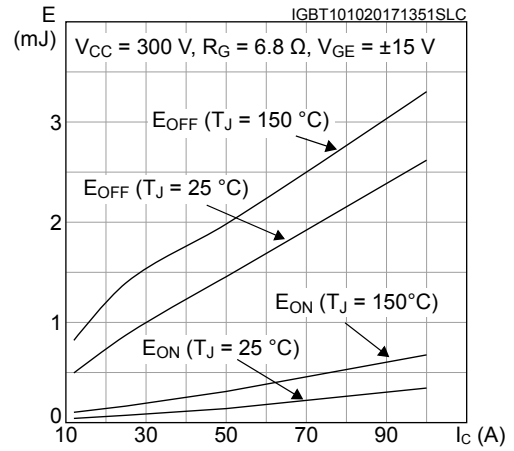
**Figure 6. IGBT collector current vs case temperature**



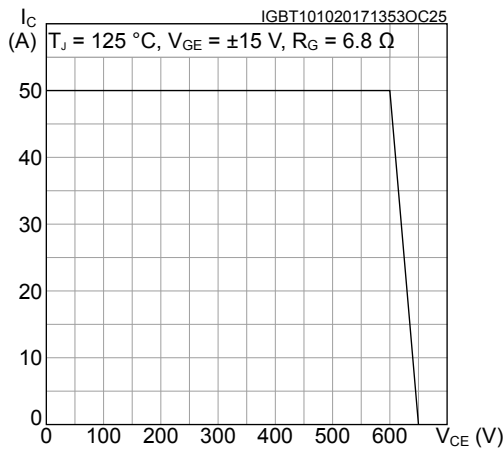
**Figure 7. Switching energy vs gate resistance**



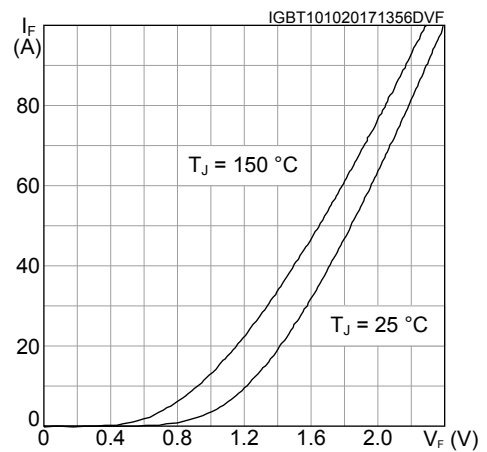
**Figure 8. Switching energy vs collector current**



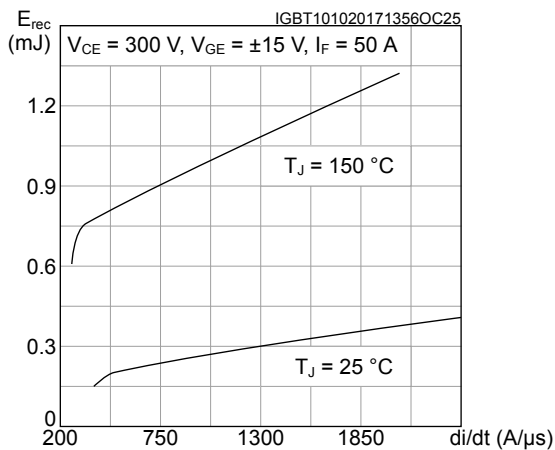
**Figure 9. IGBT reverse biased safe operating area (RBSOA)**



**Figure 10. Diode forward characteristics**



**Figure 11. Diode reverse recovery energy vs diode current slope**



**Figure 12. Diode reverse recovery energy vs forward current**

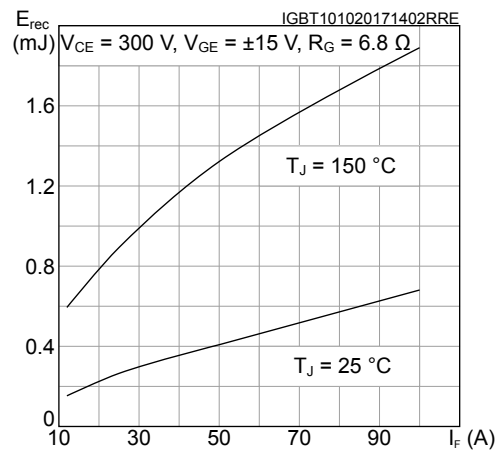


Figure 13. Diode reverse recovery energy vs gate resistance

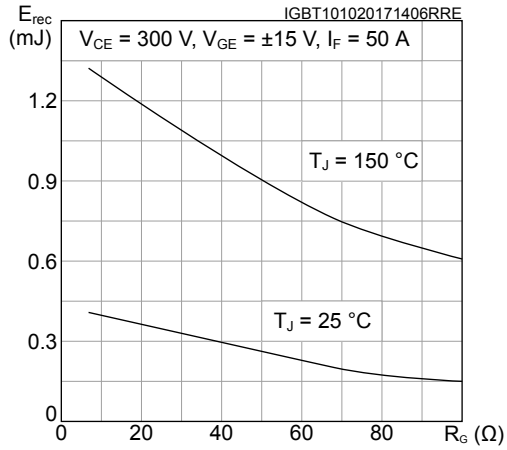


Figure 14. Inverter diode thermal impedance

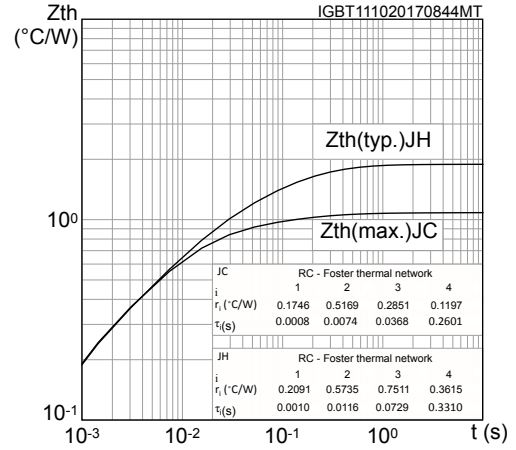
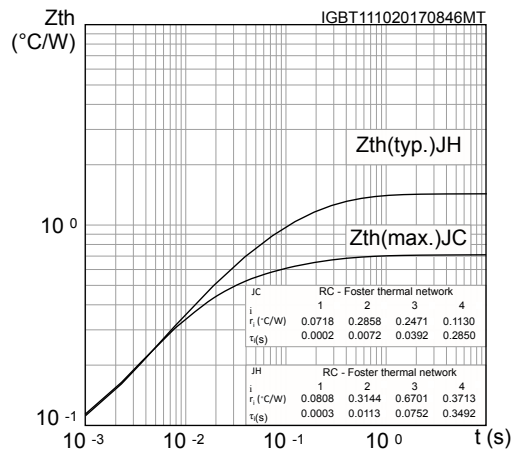
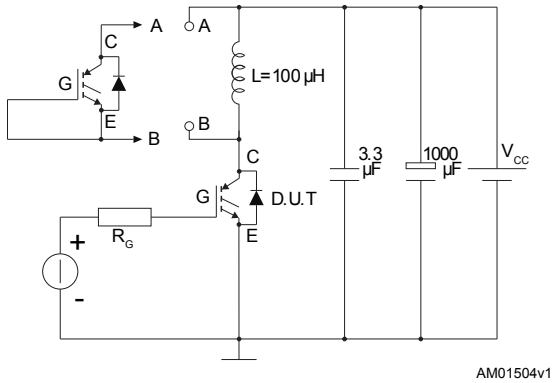
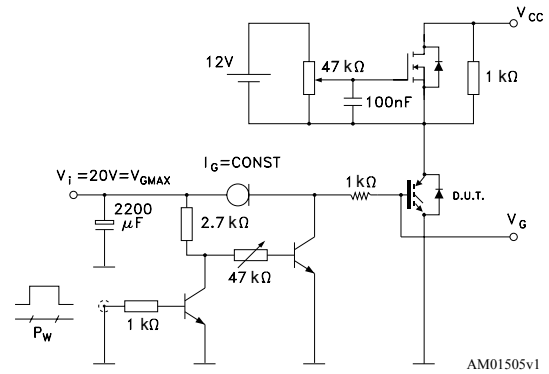
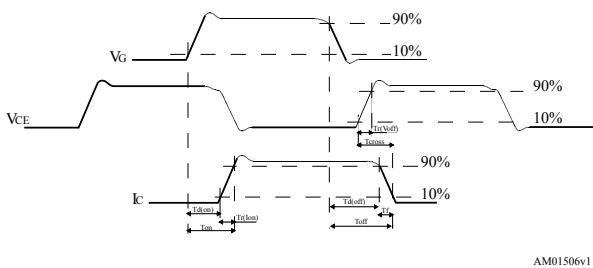
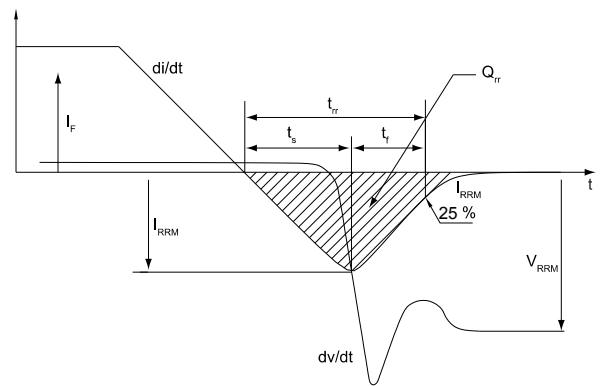


Figure 15. IGBT thermal impedance



### 3 Test circuits

**Figure 16. Test circuit for inductive load switching**

**Figure 17. Gate charge test circuit**

**Figure 18. Switching waveform**

**Figure 19. Diode reverse recovery waveform**




## 4 Topology and pin description

Figure 20. Electrical topology and pin description

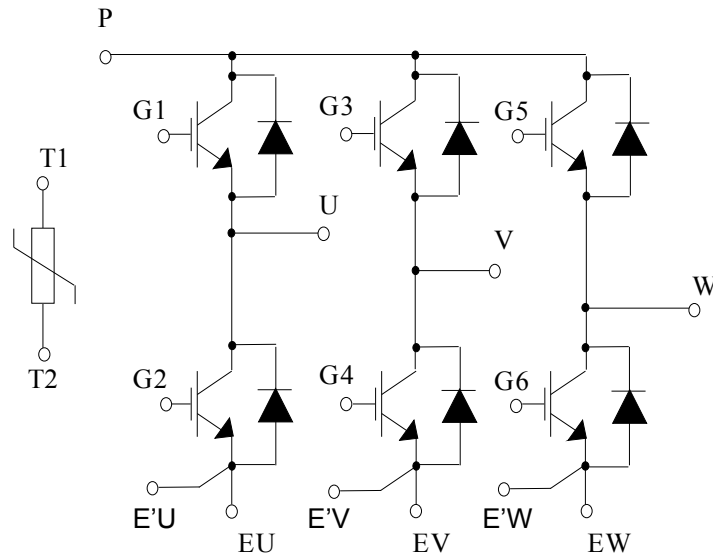
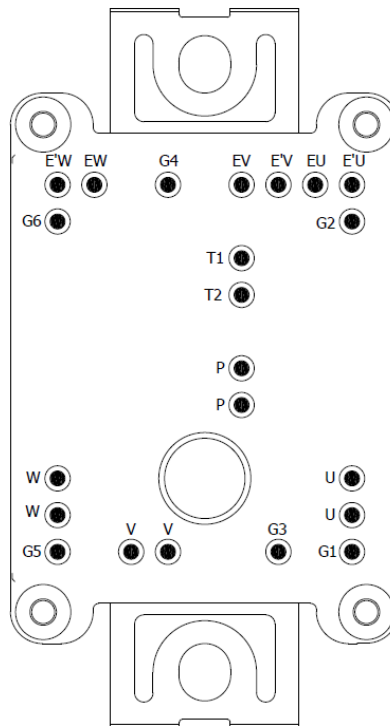


Figure 21. Package top view with sixpack pinout



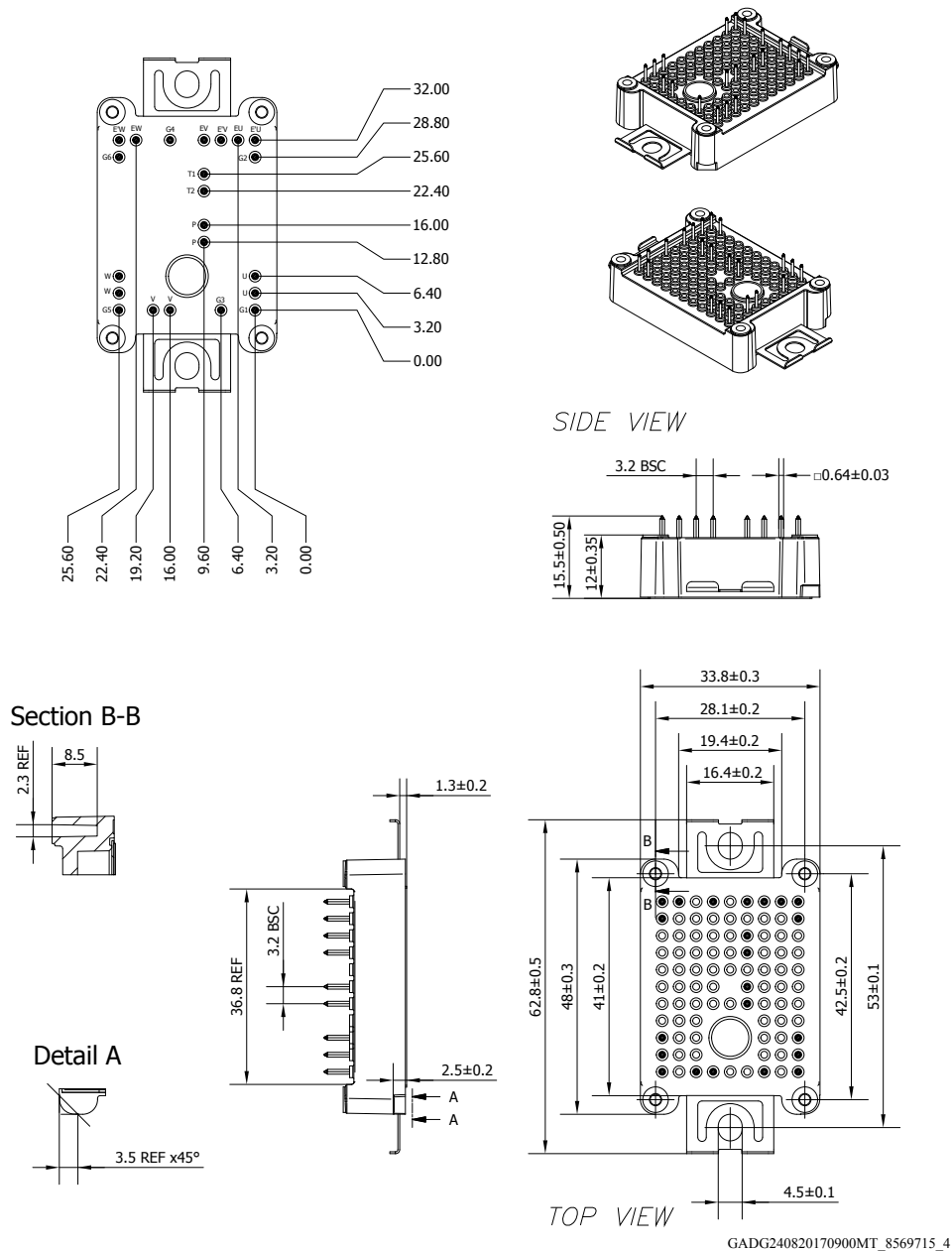
## **5** Package information

---

In order to meet environmental requirements, ST offers these devices in different grades of **ECOPACK®** packages, depending on their level of environmental compliance. ECOPACK® specifications, grade definitions and product status are available at: [www.st.com](http://www.st.com). ECOPACK® is an ST trademark.

## 5.1 ACEPACK™ 1 sixpack solder pins package information

**Figure 22. ACEPACK™ 1 sixpack solder pins package outline (dimensions are in mm)**



- The lead size includes the thickness of the lead plating material.
- Dimensions do not include mold protrusion.
- Package dimensions do not include any eventual metal burrs.

## Revision history

**Table 7. Document revision history**

Date	Revision	Changes
11-Oct-2017	1	Initial release.
16-Feb-2018	2	<p>Updated features and removed maturity status indication from cover page.</p> <p>Updated <i>Figure 13. Inverter diode thermal impedance</i> and <i>Figure 14. IGBT thermal impedance</i>.</p> <p>Updated <i>Figure 21. ACEPACK™ 1 sixpack solder pins package outline (dimensions are in mm)</i>.</p> <p>Minor text changes</p>
14-Nov-2018	3	<p>Added <a href="#">Figure 6. IGBT collector current vs case temperature</a>.</p> <p>Minor text changes</p>

## Contents

<b>1</b>	<b>Electrical ratings</b> .....	<b>2</b>
1.1	IGBT .....	2
1.2	Diode .....	3
1.3	NTC.....	4
1.4	Package .....	4
<b>2</b>	<b>Electrical characteristics (curves)</b> .....	<b>5</b>
<b>3</b>	<b>Test circuits</b> .....	<b>8</b>
<b>4</b>	<b>Topology and pin description</b> .....	<b>9</b>
<b>5</b>	<b>Package information</b> .....	<b>10</b>
5.1	ACEPACK™ 1 sixpack solder pins package information .....	11
	<b>Revision history</b> .....	<b>12</b>

**IMPORTANT NOTICE – PLEASE READ CAREFULLY**

STMicroelectronics NV and its subsidiaries (“ST”) reserve the right to make changes, corrections, enhancements, modifications, and improvements to ST products and/or to this document at any time without notice. Purchasers should obtain the latest relevant information on ST products before placing orders. ST products are sold pursuant to ST’s terms and conditions of sale in place at the time of order acknowledgement.

Purchasers are solely responsible for the choice, selection, and use of ST products and ST assumes no liability for application assistance or the design of Purchasers’ products.

No license, express or implied, to any intellectual property right is granted by ST herein.

Resale of ST products with provisions different from the information set forth herein shall void any warranty granted by ST for such product.

ST and the ST logo are trademarks of ST. All other product or service names are the property of their respective owners.

Information in this document supersedes and replaces information previously supplied in any prior versions of this document.

© 2018 STMicroelectronics – All rights reserved

Компания «Океан Электроники» предлагает заключение долгосрочных отношений при поставках импортных электронных компонентов на взаимовыгодных условиях!

Наши преимущества:

- Поставка оригинальных импортных электронных компонентов напрямую с производств Америки, Европы и Азии, а так же с крупнейших складов мира;
- Широкая линейка поставок активных и пассивных импортных электронных компонентов (более 30 млн. наименований);
- Поставка сложных, дефицитных, либо снятых с производства позиций;
- Оперативные сроки поставки под заказ (от 5 рабочих дней);
- Экспресс доставка в любую точку России;
- Помощь Конструкторского Отдела и консультации квалифицированных инженеров;
- Техническая поддержка проекта, помощь в подборе аналогов, поставка прототипов;
- Поставка электронных компонентов под контролем ВП;
- Система менеджмента качества сертифицирована по Международному стандарту ISO 9001;
- При необходимости вся продукция военного и аэрокосмического назначения проходит испытания и сертификацию в лаборатории (по согласованию с заказчиком);
- Поставка специализированных компонентов военного и аэрокосмического уровня качества (Xilinx, Altera, Analog Devices, Intersil, Interpoint, Microsemi, Actel, Aeroflex, Peregrine, VPT, Syfer, Eurofarad, Texas Instruments, MS Kennedy, Miteq, Cobham, E2V, MA-COM, Hittite, Mini-Circuits, General Dynamics и др.);

Компания «Океан Электроники» является официальным дистрибьютором и эксклюзивным представителем в России одного из крупнейших производителей разъемов военного и аэрокосмического назначения «JONHON», а так же официальным дистрибьютором и эксклюзивным представителем в России производителя высокотехнологичных и надежных решений для передачи СВЧ сигналов «FORSTAR».



## JONHON

«JONHON» (основан в 1970 г.)

Разъемы специального, военного и аэрокосмического назначения:

(Применяются в военной, авиационной, аэрокосмической, морской, железнодорожной, горно- и нефтедобывающей отраслях промышленности)

«FORSTAR» (основан в 1998 г.)

ВЧ соединители, коаксиальные кабели, кабельные сборки и микроволновые компоненты:

(Применяются в телекоммуникациях гражданского и специального назначения, в средствах связи, РЛС, а так же военной, авиационной и аэрокосмической отраслях промышленности).



Телефон: 8 (812) 309-75-97 (многоканальный)

Факс: 8 (812) 320-03-32

Электронная почта: [ocean@oceanchips.ru](mailto:ocean@oceanchips.ru)

Web: <http://oceanchips.ru/>

Адрес: 198099, г. Санкт-Петербург, ул. Калинина, д. 2, корп. 4, лит. А