

Charge Protection IC Series with Built-in FET

Standard Protection Type



BD6040GUL, BD6041GUL

No.09031EAT01

● Descriptions

The BD6040 GUL, BD6041GUL charger protection IC developed for portable devices provides up to 28V of over voltage protection for charger ICs. Built-in circuits include overvoltage lockout, overcurrent limit, undervoltage protection, internal start up delay, and status flag.

● Features

- 1) 28V (max) overvoltage protection
- 2) Low quiescent current (45 μ A)
- 3) Low Ron (125m Ω) FET
- 4) Overvoltage lockout (OVLO) circuit
- 5) Undervoltage lockout (UVLO) circuit
- 6) Internal 2msec start up delay
- 7) Overcurrent protection circuit
- 8) Compact package: VCSP50L1(1.6mm x 1.6mm, t=0.55mm)

● Applications

Mobile phones, MP3 players, Digital Still Camera, PDA, IC recorder, Electronic Dictionary, Handheld Game, Game Controller, Camcorder, Bluetooth Headsets, etc

● Line Up

Parameter	Over Voltage Lockout (IN=Increasing)	Over Voltage Lockout (Hysteresis)	Package
BD6040GUL	6.40V	30mV	VCSP50L1
BD6041GUL	5.85V	100mV	VCSP50L1

● Absolute Maximum Ratings (Ta = 25°C)

Contents	Symbol	Rating	Unit	Conditions
Input supply voltage 1	Vmax1	-0.3~30	V	IN1,IN2,IN3,IN4
Input supply voltage 2	Vmax2	-0.3~7	V	other
Power dissipation	Pd	725	mW	
Operating temperature range	Topr	-35~+85	°C	
Storage temperature range	Tstr	-55~+150	°C	

※1 When using more than at Ta=25°C, it is reduced 5.8 mW per 1°C.(ROHM specification board 50mmx 58mm mounting.)

● RECOMMENDED OPERATING RANGE (Ta=-35~+85°C)

Parameter	Symbol	Range	Unit	Usage
Input voltage range	Vin	2.2~28	V	

※ This product is not especially designed to be protected from radioactivity.

● Electrical Characteristics

(Unless otherwise noted, Ta = 25°C, IN=5V)

Parameter	Symbol	Device	Rating			Unit	Conditions
			Min.	Typ.	Max.		
○Electrical							
Input Voltage Range	VIN	BD6040/41	-	-	28	V	
Supply Quiescent Current	ICC	BD6040/41		45	90	μA	
Under Voltage Lockout	UVLO	BD6040/41	2.53	2.65	2.77	V	IN= decreasing
Under Voltage Lockout Hysteresis	UVLOh	BD6040/41	50	100	150	mV	IN= increasing
Over Voltage Lockout	OVLO	BD6040	6.2	6.4	6.6	V	IN= increasing
		BD6041	5.7	5.85	6.0	V	
Over Voltage Lockout Hysteresis	OVLOh	BD6040	10	30	50	mV	IN= decreasing
		BD6041	50	100	150	mV	
Current limit	ILM	BD6040/41	1.2	-	-	A	
Vin vs. Vout Res.	RON	BD6040/41	-	125	150	mΩ	
OK Output Low Voltage	OKVO	BD6040/41	-	-	400	mV	SINK=1mA
OK Leakage Current	OKleak	BD6040/41	-	-	1	μA	
EN input voltage (H)	ENH	BD6040/41	1.45	-	-	V	
EN input voltage (L)	ENL	BD6040/41	-	-	0.5	V	
EN input current	ENC	BD6040/41	12	25	50	μA	EN=1.5V
○Timings							
Start Up Delay	Ton	BD6040/41	-	2	4	msec	
OK Going Up Delay	Tok	BD6040/41	-	10	15	msec	
Output Turn Off Time	Toff	BD6040/41	-	2	10	μsec	
Alert Delay	Tovp	BD6040/41	-	1.5	10	μsec	

* This product is not especially designed to be protected from radioactivity.

● Typical Operating Characteristics

○ The test conditions for the Typical Operating Characteristics are $I_N=5V$, $C_{IN}=1\mu F$, $C_{OUT}=0.1\mu F$, $R_{ok}=100k\Omega$, $T_a=25^\circ C$, Unless otherwise noted

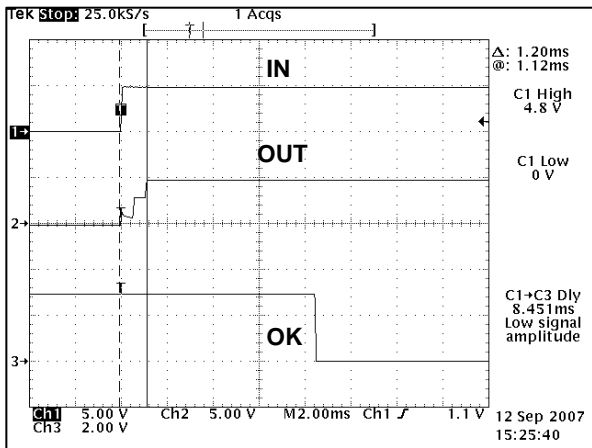


Fig. 1 Start up (0→5V)

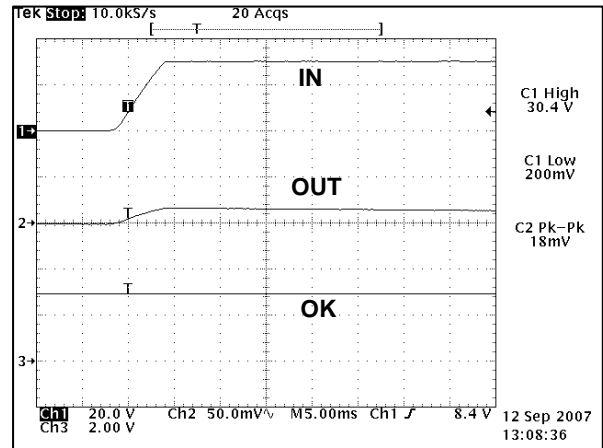


Fig. 2 Input Steps (0→30V)

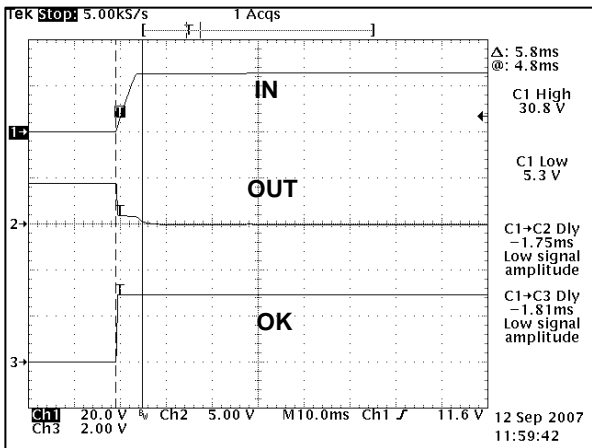


Fig. 3 Input Steps (5→30V)

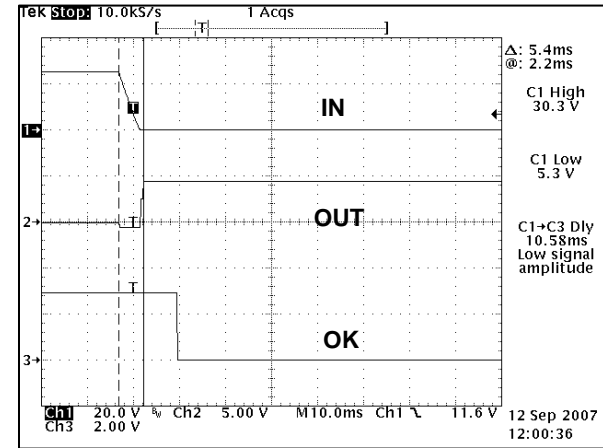


Fig. 4 Input Steps (30→5V)

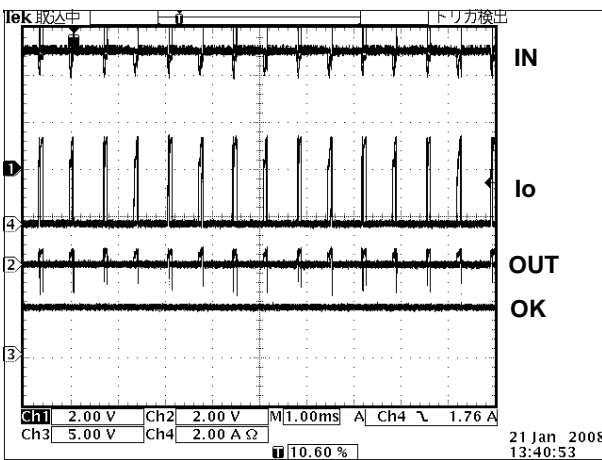


Fig. 5 Output Short Circuit

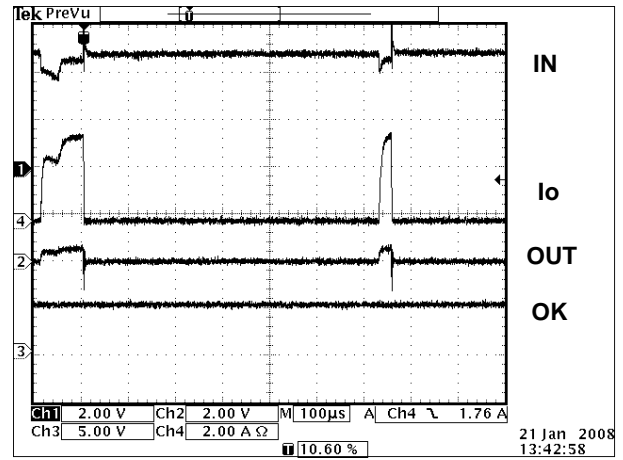


Fig. 6 Output Short Circuit (Zoom)

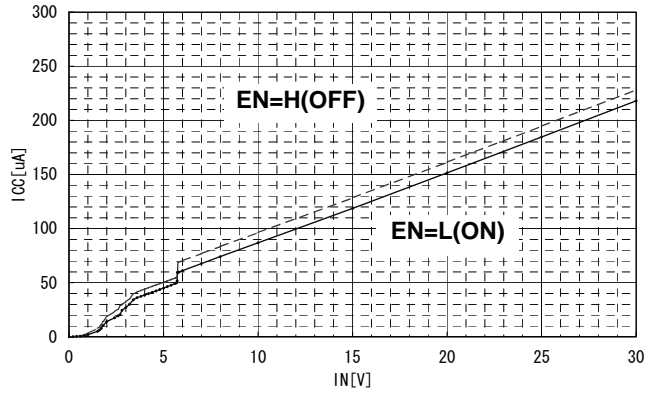


Fig. 7 ICC vs. Input Voltage (0-30V)

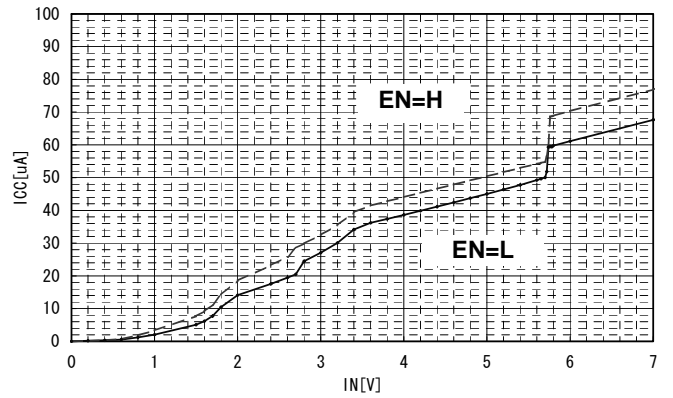


Fig. 8 ICC vs. Input Voltage (0-7V)

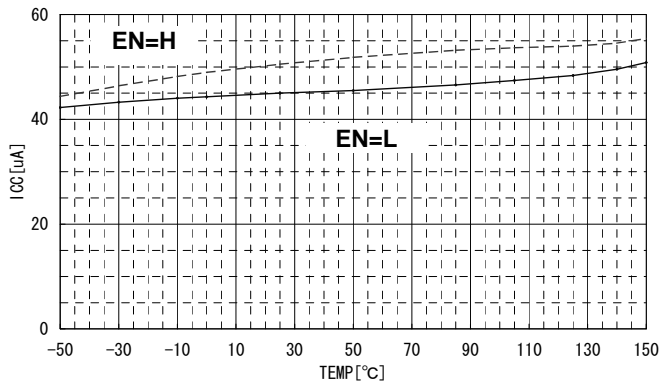


Fig. 9 ICC vs. Temperature (IN=5V)

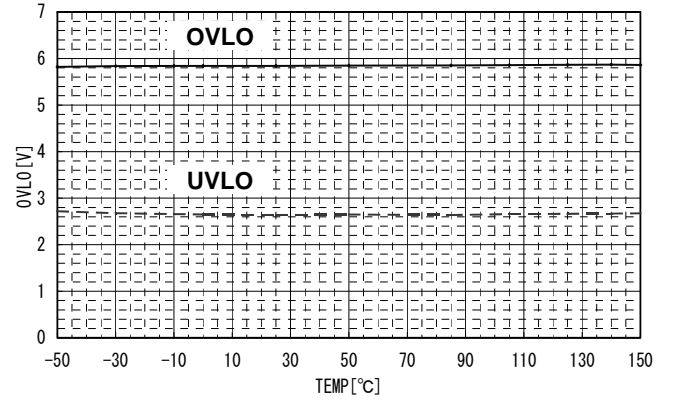


Fig. 10 UVLO/OVLO vs. Temperature

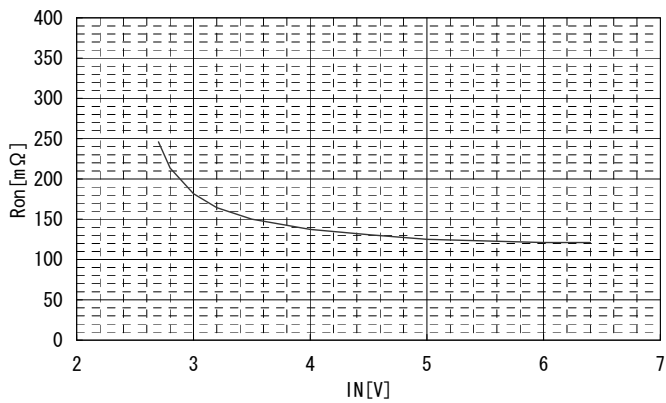


Fig. 11 RON vs. Input Voltage

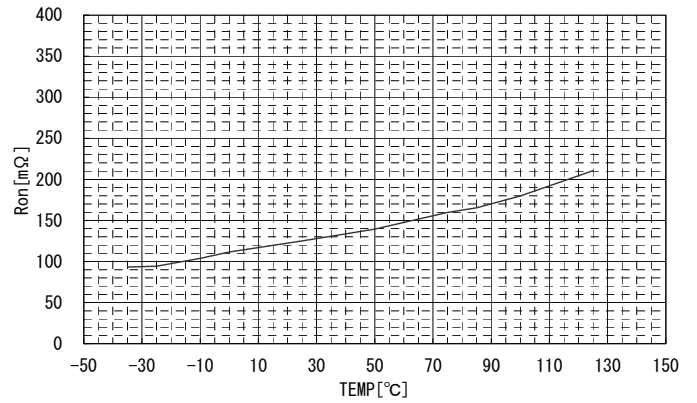


Fig. 12 RON vs. Temperature (IN=5V)

●Block Diagram

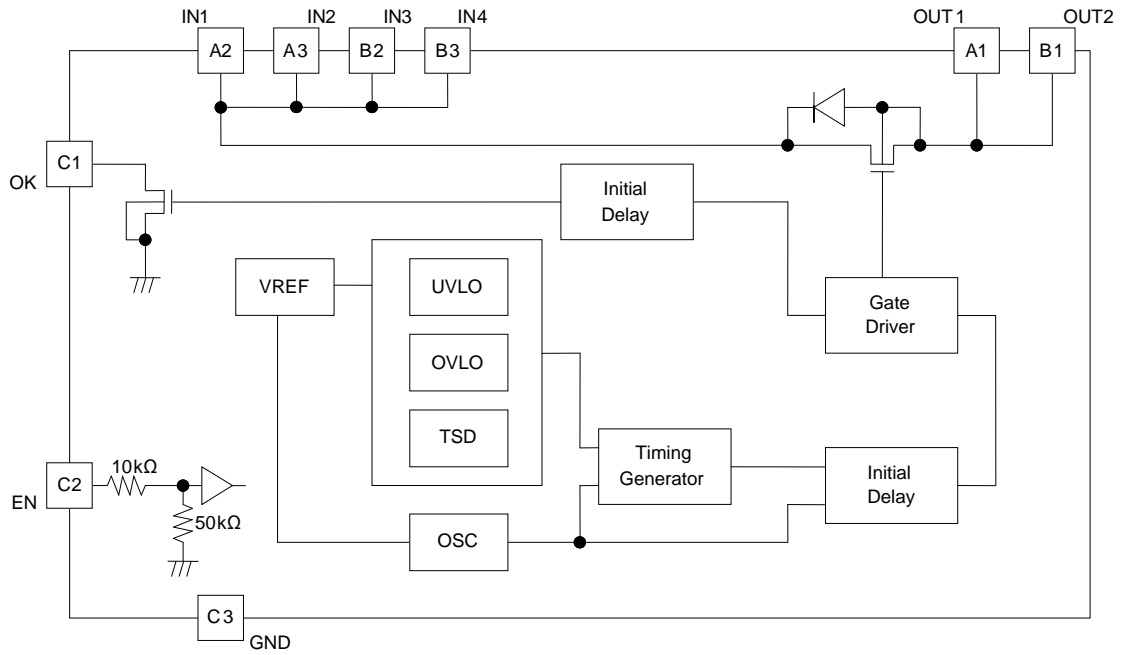
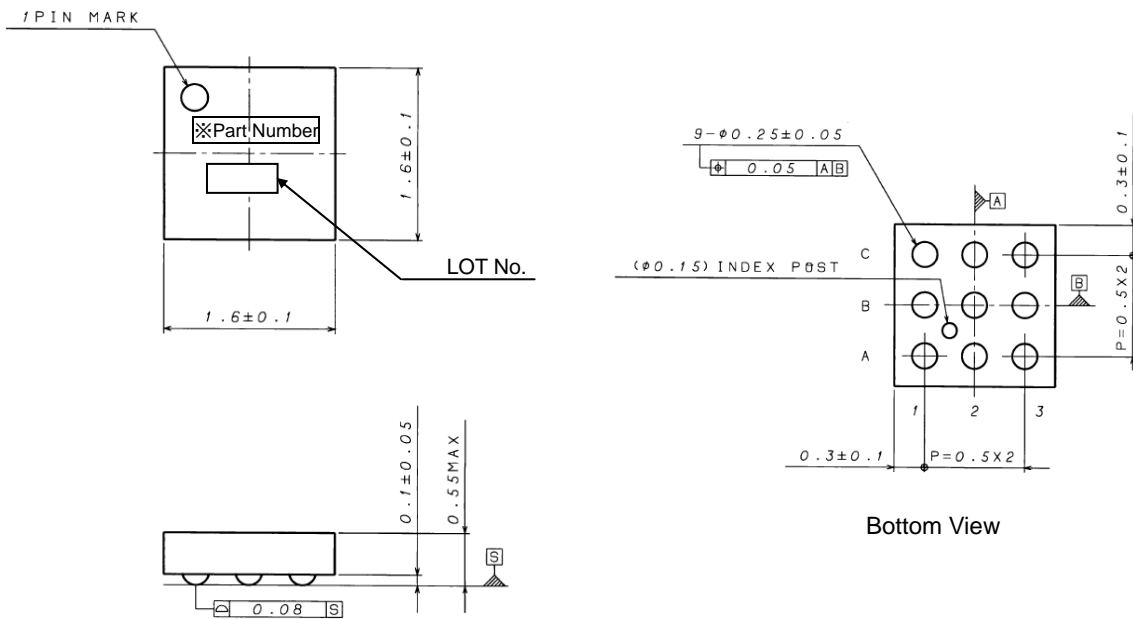


Fig. 13 Block Diagram

●Package Dimensions(VCSP50L1)



※BD6040GUL is "6040", BD6041GUL is "6041".

Fig. 14 Package Dimensions

●Ball Configuration

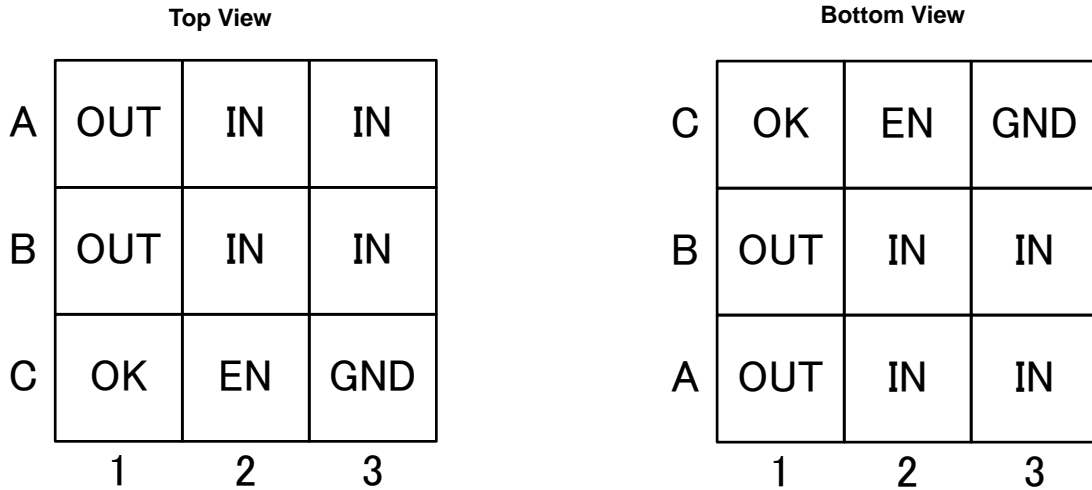


Fig. 15 Ball Configuration

●Pin Descriptions

No.	Pin	Name	I/O	ESD		Diode	Function
				IN	GND		
1	A2	IN1	I	-	○	Bypass with 1uF Ceramic capacitor or larger to get full 15KV ESD protection (Air, IEC61000-4-2) at the input	
2	A3	IN2	I	-	○		
3	B2	IN3	I	-	○		
4	B3	IN4	I	-	○		
5	A1	OUT1	O	-	○	Output Voltage Pin	
6	B1	OUT2	O	-	○		
7	C3	GND	-	○	-	Ground Pin	
8	C1	OK	O	-	○	Active-low open drain output to signal if the adapter voltage is correct	
9	C2	EN	I	-	○	Enable input Drive EN high to turn off OUT (Hi-z output)	

●Equivalent Circuit

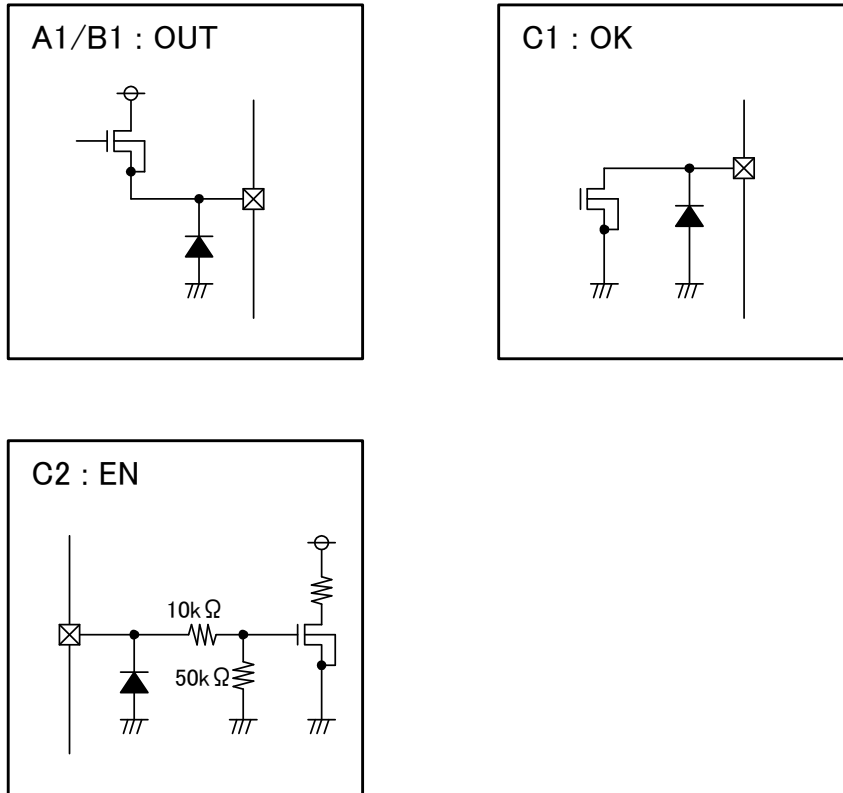


Fig. 16 Block Diagram

●Typical Application Circuit

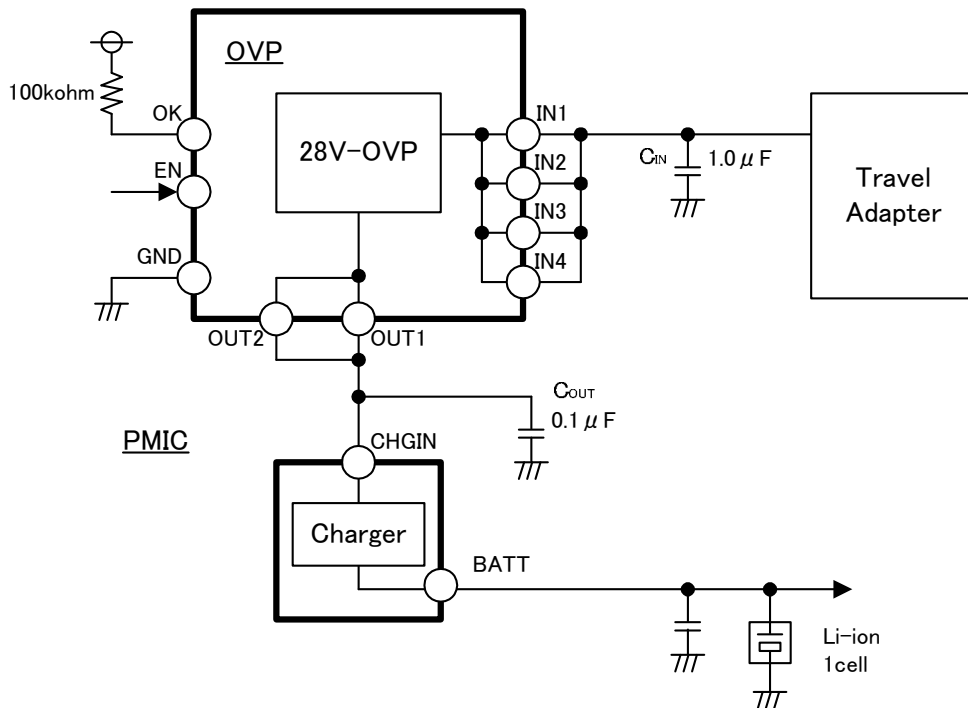


Fig. 17 Application Circuit

- Safety is high because it detects, and it protects it for an abnormal voltage up to 28V.
- It contributes to the miniaturization because all external is built into.

●Timing Diagram

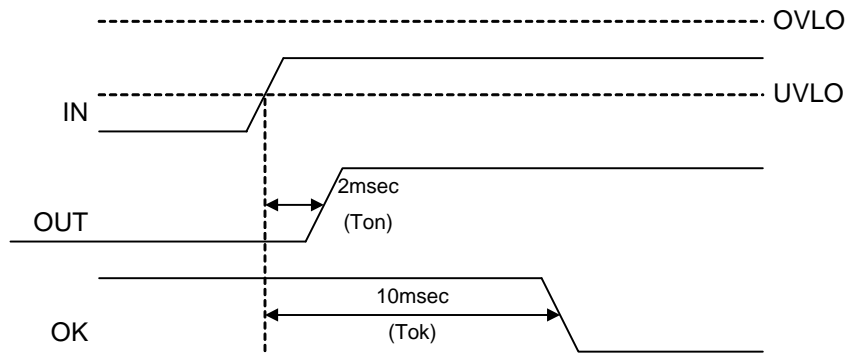


Fig. 18 Start up sequence

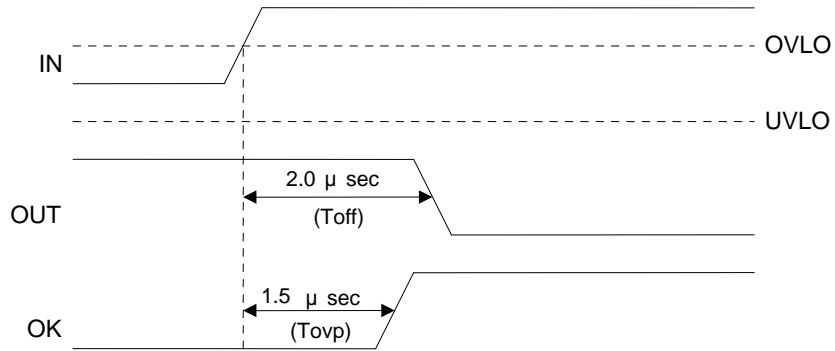


Fig. 19 Shutdown by over voltage detection

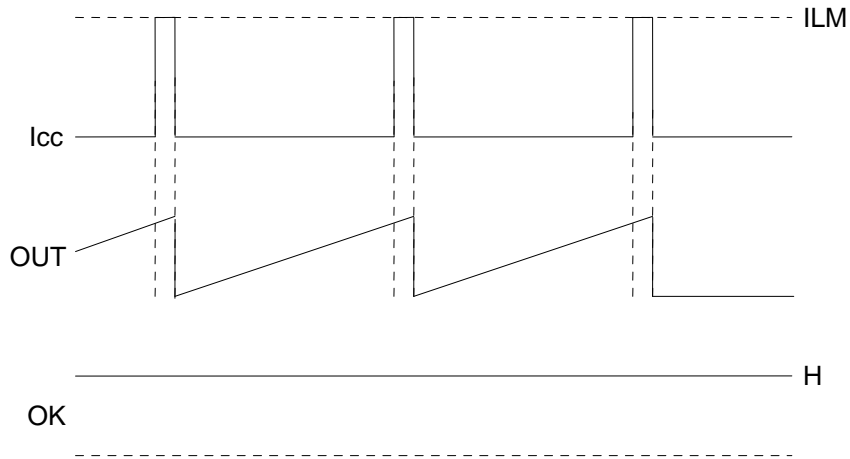


Fig. 20 Operation by current limit detection

● Examples of Application Circuit (Ball Configuration is BOTTOM VIEW)

A: In case of both EN & OK pins are connected.

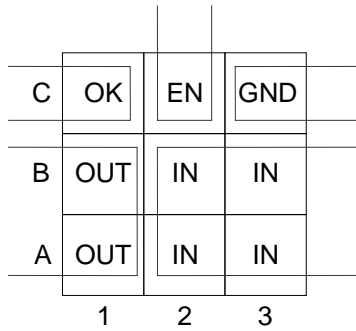
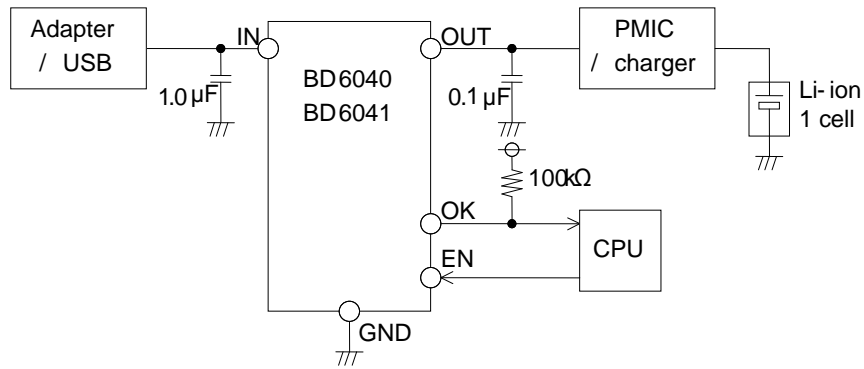


Fig. 21

B: In case of OK pin is connected.

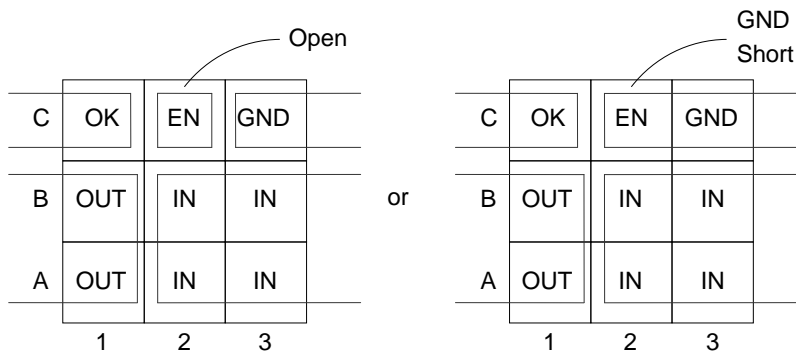
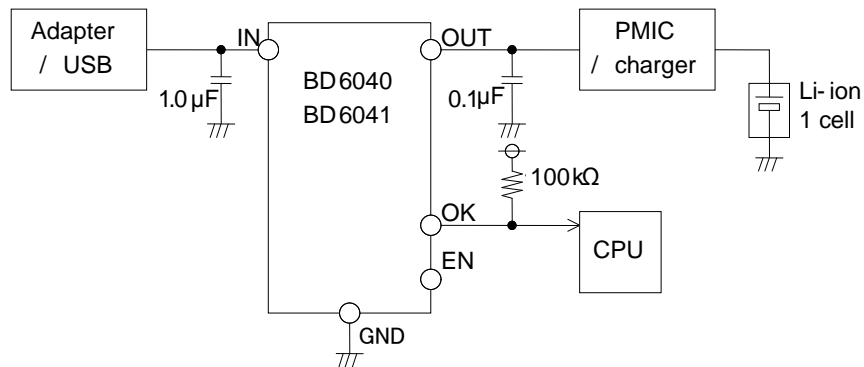


Fig. 22

C: In case of EN pin is connected.

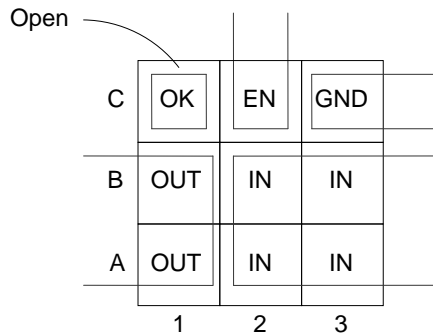
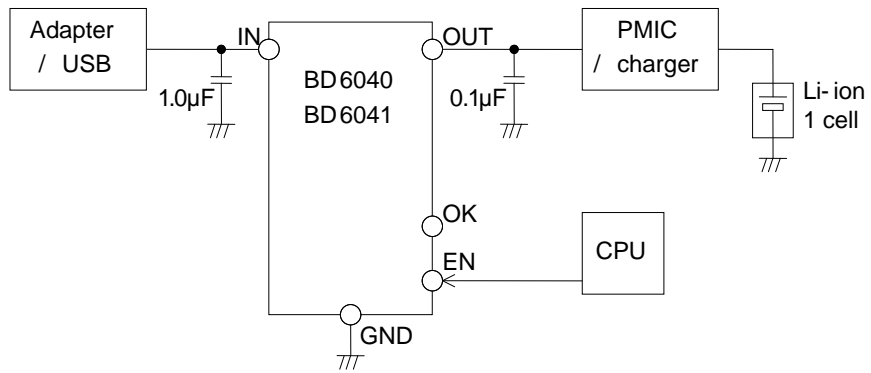


Fig. 23

D: In case of both EN & OK pins are not connected.

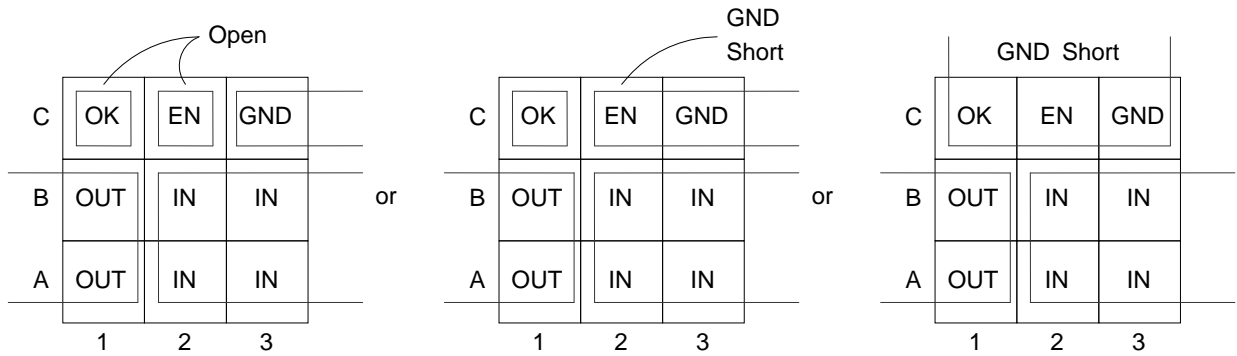
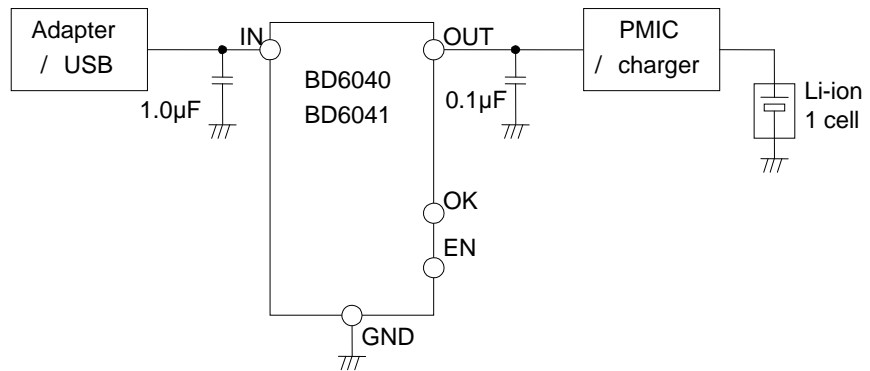
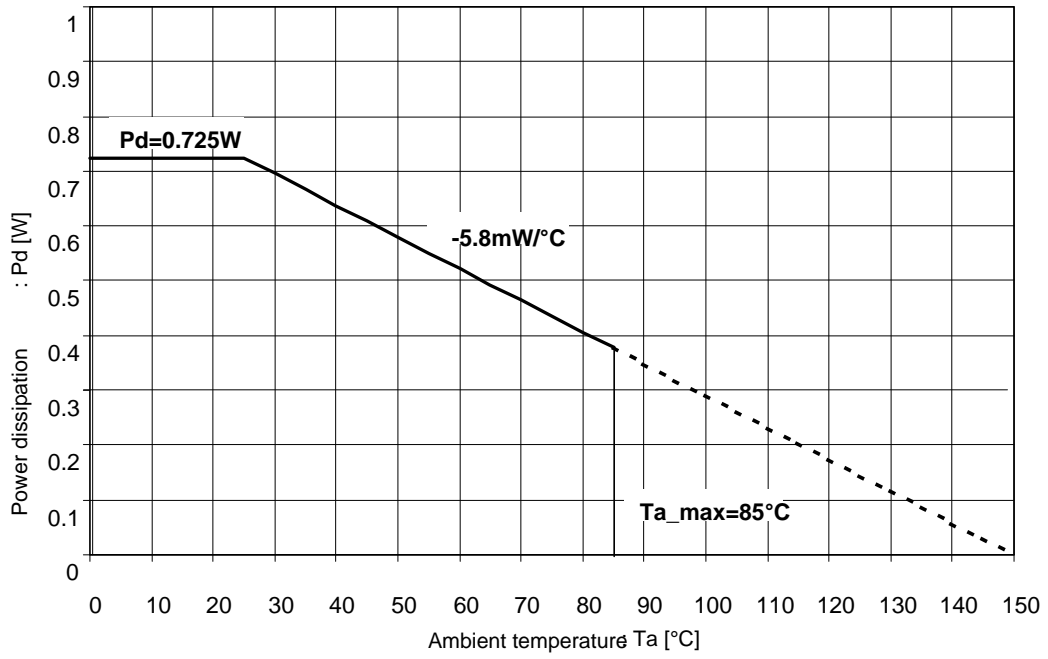


Fig. 24

●Notes for use

- (1) Absolute maximum ratings
If applied voltage (VDD, VIN), operating temperature range (Topr), or other absolute maximum ratings are exceeded, there is a risk of damage. Since it is not possible to identify short, open, or other damage modes, if special modes in which absolute maximum ratings are exceeded are assumed, consider applying fuses or other physical safety measures.
- (2) Recommended operating range
This is the range within which it is possible to obtain roughly the expected characteristics. For electrical characteristics, it is those that are guaranteed under the conditions for each parameter. Even when these are within the recommended operating range, voltage and temperature characteristics are indicated.
- (3) Reverse connection of power supply connector
There is a risk of damaging the LSI by reverse connection of the power supply connector. For protection from reverse connection, take measures such as externally placing a diode between the power supply and the power supply pin of the LSI.
- (4) Power supply lines
In the design of the board pattern, make power supply and GND line wiring low impedance.
When doing so, although the digital power supply and analog power supply are the same potential, separate the digital power supply pattern and analog power supply pattern to deter digital noise from entering the analog power supply due to the common impedance of the wiring patterns. Similarly take pattern design into account for GND lines as well.
Furthermore, for all power supply pins of the LSI, in conjunction with inserting capacitors between power supply and GND pins, when using electrolytic capacitors, determine constants upon adequately confirming that capacitance loss occurring at low temperatures is not a problem for various characteristics of the capacitors used.
- (5) GND voltage
Make the potential of a GND pin such that it will be the lowest potential even if operating below that. In addition, confirm that there are no pins for which the potential becomes less than a GND by actually including transition phenomena.
- (6) Shorts between pins and misinstallation
When installing in the set board, pay adequate attention to orientation and placement discrepancies of the LSI. If it is installed erroneously, there is a risk of LSI damage. There also is a risk of damage if it is shorted by a foreign substance getting between pins or between a pin and a power supply or GND.
- (7) Operation in strong magnetic fields
Be careful when using the LSI in a strong magnetic field, since it may malfunction.
- (8) Inspection in set board
When inspecting the LSI in the set board, since there is a risk of stress to the LSI when capacitors are connected to low impedance LSI pins, be sure to discharge for each process. Moreover, when getting it on and off of a jig in the inspection process, always connect it after turning off the power supply, perform the inspection, and remove it after turning off the power supply. Furthermore, as countermeasures against static electricity, use grounding in the assembly process and take appropriate care in transport and storage.
- (9) Input pins
Parasitic elements inevitably are formed on an LSI structure due to potential relationships. Because parasitic elements operate, they give rise to interference with circuit operation and may be the cause of malfunctions as well as damage. Accordingly, take care not to apply a lower voltage than GND to an input pin or use the LSI in other ways such that parasitic elements operate. Moreover, do not apply a voltage to an input pin when the power supply voltage is not being applied to the LSI. Furthermore, when the power supply voltage is being applied, make each input pin a voltage less than the power supply voltage as well as within the guaranteed values of electrical characteristics.
- (10) Ground wiring pattern
When there is a small signal GND and a large current GND, it is recommended that you separate the large current GND pattern and small signal GND pattern and provide single point grounding at the reference point of the set so that voltage variation due to resistance components of the pattern wiring and large currents do not cause the small signal GND voltage to change. Take care that the GND wiring pattern of externally attached components also does not change.
- (11) Externally attached capacitors
When using ceramic capacitors for externally attached capacitors, determine constants upon taking into account a lowering of the rated capacitance due to DC bias and capacitance change due to factors such as temperature.
- (12) Thermal shutdown circuit (TSD)
When junction temperatures become 170°C (typ) or higher, the thermal shutdown circuit operates and turns a switch OFF. The thermal shutdown circuit, which is aimed at isolating the LSI from thermal runaway as much as possible, is not aimed at the protection or guarantee of the LSI. Therefore, do not continuously use the LSI with this circuit operating or use the LSI assuming its operation.
- (13) Thermal design
Perform thermal design in which there are adequate margins by taking into account the permissible dissipation (Pd) in actual states of use.

● Power Dissipation



※ On the ROHM's specification Board

Fig. 25 Power dissipation vs. Ta

●Ordering part number

B	D
---	---

Part No.

6	0	4	0
---	---	---	---

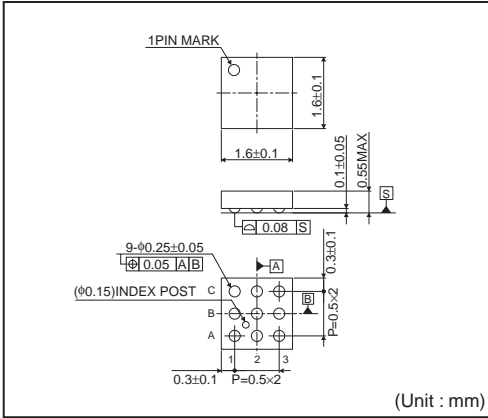
Part No.
BD6040
BD6041

G	U	L	-	E	2
---	---	---	---	---	---

Package
GUL : VCSP50L1

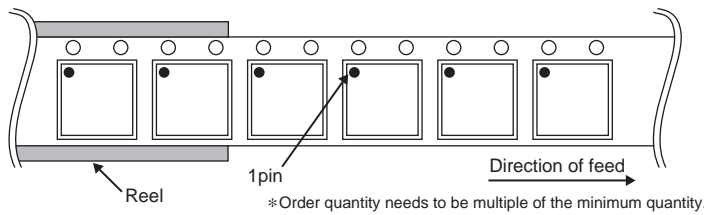
Packaging and forming specification
E2: Embossed tape and reel

VCSP50L1(BD6040GUL)

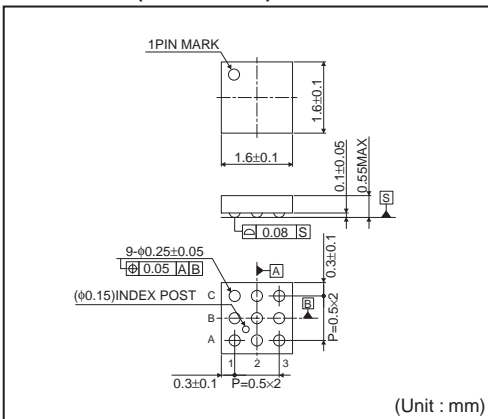


<Tape and Reel information>

Tape	Embossed carrier tape
Quantity	3000pcs
Direction of feed	E2 (The direction is the 1pin of product is at the upper left when you hold reel on the left hand and you pull out the tape on the right hand)

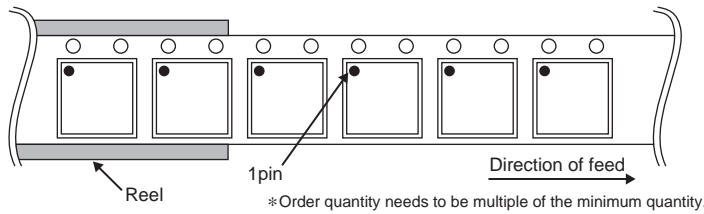


VCSP50L1(BD6041GUL)



<Tape and Reel information>

Tape	Embossed carrier tape
Quantity	3000pcs
Direction of feed	E2 (The direction is the 1pin of product is at the upper left when you hold reel on the left hand and you pull out the tape on the right hand)



Notes

No copying or reproduction of this document, in part or in whole, is permitted without the consent of ROHM Co.,Ltd.

The content specified herein is subject to change for improvement without notice.

The content specified herein is for the purpose of introducing ROHM's products (hereinafter "Products"). If you wish to use any such Product, please be sure to refer to the specifications, which can be obtained from ROHM upon request.

Examples of application circuits, circuit constants and any other information contained herein illustrate the standard usage and operations of the Products. The peripheral conditions must be taken into account when designing circuits for mass production.

Great care was taken in ensuring the accuracy of the information specified in this document. However, should you incur any damage arising from any inaccuracy or misprint of such information, ROHM shall bear no responsibility for such damage.

The technical information specified herein is intended only to show the typical functions of and examples of application circuits for the Products. ROHM does not grant you, explicitly or implicitly, any license to use or exercise intellectual property or other rights held by ROHM and other parties. ROHM shall bear no responsibility whatsoever for any dispute arising from the use of such technical information.

The Products specified in this document are intended to be used with general-use electronic equipment or devices (such as audio visual equipment, office-automation equipment, communication devices, electronic appliances and amusement devices).

The Products specified in this document are not designed to be radiation tolerant.

While ROHM always makes efforts to enhance the quality and reliability of its Products, a Product may fail or malfunction for a variety of reasons.

Please be sure to implement in your equipment using the Products safety measures to guard against the possibility of physical injury, fire or any other damage caused in the event of the failure of any Product, such as derating, redundancy, fire control and fail-safe designs. ROHM shall bear no responsibility whatsoever for your use of any Product outside of the prescribed scope or not in accordance with the instruction manual.

The Products are not designed or manufactured to be used with any equipment, device or system which requires an extremely high level of reliability the failure or malfunction of which may result in a direct threat to human life or create a risk of human injury (such as a medical instrument, transportation equipment, aerospace machinery, nuclear-reactor controller, fuel-controller or other safety device). ROHM shall bear no responsibility in any way for use of any of the Products for the above special purposes. If a Product is intended to be used for any such special purpose, please contact a ROHM sales representative before purchasing.

If you intend to export or ship overseas any Product or technology specified herein that may be controlled under the Foreign Exchange and the Foreign Trade Law, you will be required to obtain a license or permit under the Law.



Thank you for your accessing to ROHM product informations.
More detail product informations and catalogs are available, please contact us.

ROHM Customer Support System

<http://www.rohm.com/contact/>

Компания «Океан Электроники» предлагает заключение долгосрочных отношений при поставках импортных электронных компонентов на взаимовыгодных условиях!

Наши преимущества:

- Поставка оригинальных импортных электронных компонентов напрямую с производств Америки, Европы и Азии, а так же с крупнейших складов мира;
- Широкая линейка поставок активных и пассивных импортных электронных компонентов (более 30 млн. наименований);
- Поставка сложных, дефицитных, либо снятых с производства позиций;
- Оперативные сроки поставки под заказ (от 5 рабочих дней);
- Экспресс доставка в любую точку России;
- Помощь Конструкторского Отдела и консультации квалифицированных инженеров;
- Техническая поддержка проекта, помощь в подборе аналогов, поставка прототипов;
- Поставка электронных компонентов под контролем ВП;
- Система менеджмента качества сертифицирована по Международному стандарту ISO 9001;
- При необходимости вся продукция военного и аэрокосмического назначения проходит испытания и сертификацию в лаборатории (по согласованию с заказчиком);
- Поставка специализированных компонентов военного и аэрокосмического уровня качества (Xilinx, Altera, Analog Devices, Intersil, Interpoint, Microsemi, Actel, Aeroflex, Peregrine, VPT, Syfer, Eurofarad, Texas Instruments, MS Kennedy, Miteq, Cobham, E2V, MA-COM, Hittite, Mini-Circuits, General Dynamics и др.);

Компания «Океан Электроники» является официальным дистрибьютором и эксклюзивным представителем в России одного из крупнейших производителей разъемов военного и аэрокосмического назначения «JONHON», а так же официальным дистрибьютором и эксклюзивным представителем в России производителя высокотехнологичных и надежных решений для передачи СВЧ сигналов «FORSTAR».



JONHON

«JONHON» (основан в 1970 г.)

Разъемы специального, военного и аэрокосмического назначения:

(Применяются в военной, авиационной, аэрокосмической, морской, железнодорожной, горно- и нефтедобывающей отраслях промышленности)

«FORSTAR» (основан в 1998 г.)

ВЧ соединители, коаксиальные кабели, кабельные сборки и микроволновые компоненты:

(Применяются в телекоммуникациях гражданского и специального назначения, в средствах связи, РЛС, а так же военной, авиационной и аэрокосмической отраслях промышленности).



Телефон: 8 (812) 309-75-97 (многоканальный)

Факс: 8 (812) 320-03-32

Электронная почта: ocean@oceanchips.ru

Web: <http://oceanchips.ru/>

Адрес: 198099, г. Санкт-Петербург, ул. Калинина, д. 2, корп. 4, лит. А