

PLEASE CHECK WWW.MOLEX.COM FOR LATEST PART INFORMATION

Part Number: [0879780021](#)
Status: **Active**
Description: 1.00mm (.039") Pitch DDR-2 DIMM Socket, Vertical, with Beveled Metal Pins, Very Low Profile Black Latches, 240 Circuits, 1.8V Center Voltage Key, 2.67mm (.105") Tail Length, 0.38µm (15µ") Gold (Au) Plating, Lead-free

Documents:

[3D Model](#) [Product Specification PS-87978-001 \(PDF\)](#)
[Drawing \(PDF\)](#) [RoHS Certificate of Compliance \(PDF\)](#)

Agency Certification

CSA LR19980
 UL E29179

General

Product Family Memory Module Sockets
 Series [87978](#)
 Comments Latches in Black Color
 Component Type Memory Module
 JEDEC Outline N/A
 Product Name DDR2 DIMM

Physical

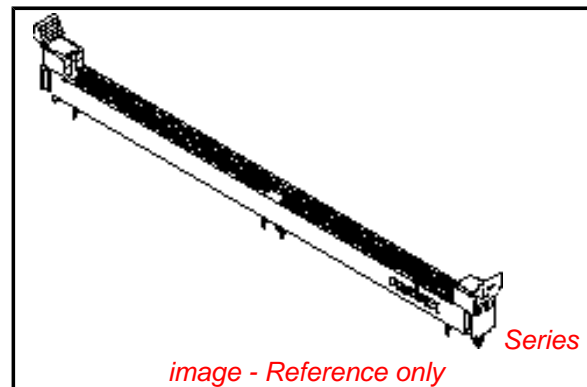
Circuits (Loaded) 240
 Color - Resin Black
 Durability (mating cycles max) 25
 Entry Angle Vertical (Top Entry)
 Flammability 94V-0
 Keying to Mating Part Yes
 Material - Metal Brass, Phosphor Bronze
 Material - Plating Mating Gold
 Material - Plating Termination Tin
 Material - Resin High Temperature Thermoplastic
 PC Tail Length (in) 0.105 In
 PC Tail Length (mm) 2.67 mm
 PCB Retention Yes
 PCB Thickness Recommended (in) 0.062 In
 PCB Thickness Recommended (mm) 1.60 mm
 Packaging Type Tray
 Pitch - Mating Interface (in) 0.039 In
 Pitch - Mating Interface (mm) 1.00 mm
 Plating min: Mating (µin) 15.2
 Plating min: Mating (µm) 0.38
 Plating min: Termination (µin) 101.6
 Plating min: Termination (µm) 2.54
 Temperature Range - Operating -10°C to +85°C
 Termination Interface: Style Through Hole

Electrical

Current - Maximum per Contact 0.5A
 Voltage - Maximum 30V
 Voltage Key 1.8V, Center

Solder Process Data

Duration at Max. Process Temperature (seconds) 10
 Lead-free Process Capability Wave Capable (TH only)
 Max. Cycles at Max. Process Temperature 1



EU RoHS

ELV and RoHS Compliant
REACH SVHC Contains SVHC: No
Halogen-Free Status
Not Reviewed

China RoHS



Need more information on product environmental compliance?

Email productcompliance@molex.com
 For a multiple part number RoHS Certificate of Compliance, [click here](#)

Please visit the [Contact Us](#) section for any non-product compliance questions.

Search Parts in this Series

[87978Series](#)

Mates With

JEDEC standard 1.27mm modules

Process Temperature max. C

265

Material Info

Reference - Drawing Numbers

Product Specification

PS-87978-001, RPS-87978-001

Sales Drawing

SD-87978-001

This document was generated on 05/20/2010

PLEASE CHECK WWW.MOLEX.COM FOR LATEST PART INFORMATION

10 9 8 7 6 5 4 3 2 1

F

E

D

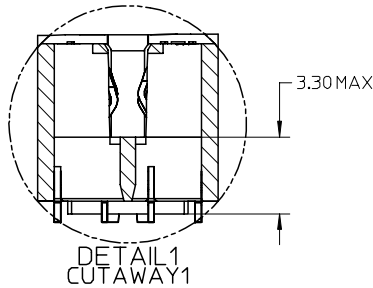
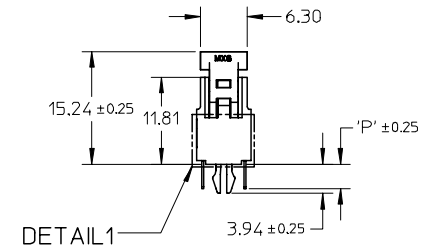
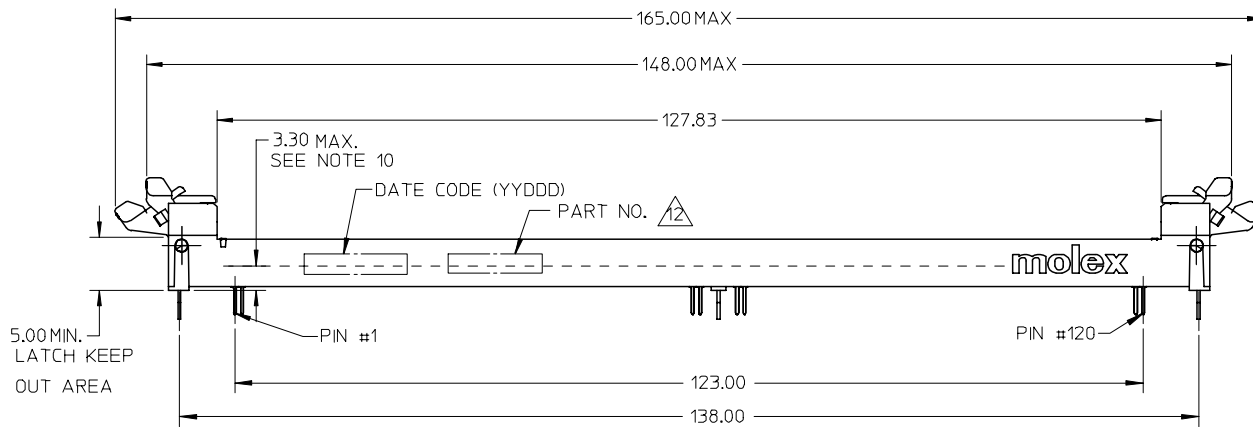
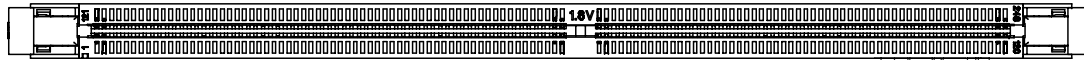
C

B

A

NOTES:

1. MATERIALS
HOUSING - HIGH TEMP. NYLON GLASS FILLED, UL 94 V-0, BLACK.
EJECTOR - HIGH TEMP. NYLON GLASS FILLED, UL 94 V-0, BLACK.
TERMINAL - COPPER ALLOY
2. PLATING - SEE TABLE IN SHEET 5.
3. CARD SLOT ACCEPTS 1.27±0.10 MM MODULE THICKNESS.
(MEASURED OVER P.C. PADS)
4. RECOMMENDED MODULE LAYOUT SHALL BE AS PER JEDEC MO-237.
5. REFER TO PRODUCT SPEC, PS-87978-013 FOR PERFORMANCE SPECIFICATIONS.
6. PRODUCT SHALL BE PACKED IN TRAY.
7. PRODUCT SHALL HAVE DATE CODE STAMPED ON SIDE OF HOUSING.
8. KEEP OUT AREA IS THE AREA WHERE THE CONNECTOR IS MOUNTED ONTO THE PCB WHICH DOES NOT INCLUDE THE LATCH.
9. REFER TO CRITICAL JEDEC INFORMATION FOR SOCKET OUTLINE PER SO-001.
10. DIMM MODULE SEATING PLANE FROM TOP OF PCB.
11. CONTACT MOLEX FOR AVAILABILITY OF PRODUCT OPTIONS.
12. PART NUMBER SHALL BE MARKED LEGIBLY AS 87978-****



REVISED	EC NO: S2008-0235	2007/09/27	2007/09/27	2007/09/28
DRWN:CMTEO	CHKD:CCTEH	APPR:SHLENI	DESCRIPTION	REV

QUALITY SYMBOLS	▽=0	▽=0
-----------------	-----	-----

GENERAL TOLERANCES (UNLESS SPECIFIED)	mm	INCH
4 PLACES	± ---	± ---
3 PLACES	± ---	± ---
2 PLACES	± 0.20	± ---
1 PLACE	± ---	± ---
ANGULAR ± 5 °		
DRAFT WHERE APPLICABLE MUST REMAIN WITHIN DIMENSIONS		

DIMENSION STYLE		SCALE	DESIGN UNITS	THIRD ANGLE PROJECTION
MM ONLY		NTS	METRIC	
DRAWN BY	DATE	TITLE		
CCTEH	2005/01/03	DDR2 DIMM, 1MM PITCH		
CHECKED BY	DATE	240 CKTS, FORK-LOCK VERS		
SRRAMESH	2005/08/30	VLP LATCH		
APPROVED BY	DATE	MOLEX MOLEX INCORPORATED		
GGLEE	2005/08/30	SD-87978-001		
MATERIAL NO.		DOCUMENT NO.	SHEET NO.	
SEE TABLE			1 OF 5	

THIS DRAWING CONTAINS INFORMATION THAT IS PROPRIETARY TO MOLEX INCORPORATED AND SHOULD NOT BE USED WITHOUT WRITTEN PERMISSION				
---	--	--	--	--

9 8 7 6 5 4 3 2 1

10 9 8 7 6 5 4 3 2 1

F

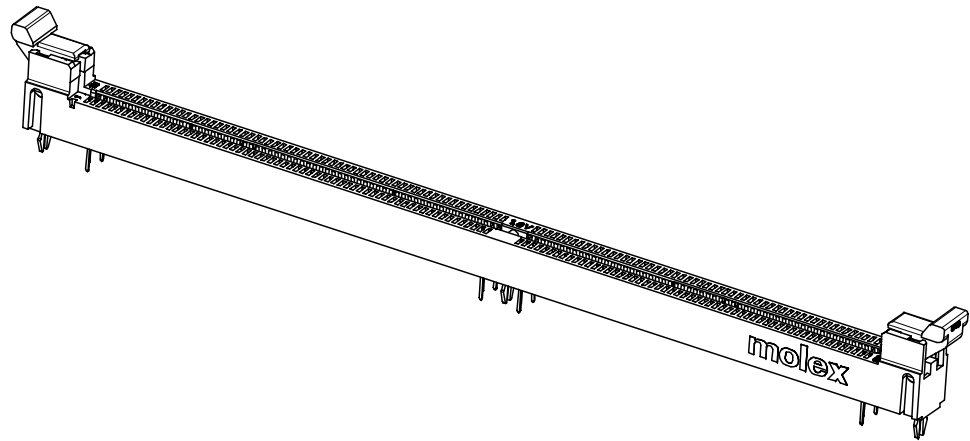
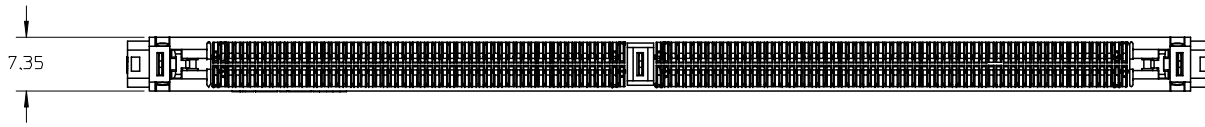
E

D

C

B

A



REVISED EC NO: S2008-0235 DRWN:CMTEO 2007/09/27 CHKD:CCTEH 2007/09/27 APPR:SHLENI 2007/09/28	DESCRIPTION REV	QUALITY SYMBOLS ▽=0 ◻=0	GENERAL TOLERANCES (UNLESS SPECIFIED)		DIMENSION STYLE MM ONLY		SCALE NTS	DESIGN UNITS METRIC	THIRD ANGLE PROJECTION		
		4 PLACES ± --- ± ---	mm INCH	DRAWN BY CCTEH	DATE 2005/01/03	TITLE DDR2 DIMM, 1MM PITCH 240 CKTS, FORK-LOCK VERS VLP LATCH					
		3 PLACES ± --- ± ---	2 PLACES ± 0.20 ± ---	CHECKED BY SRRAMESH	DATE 2005/08/30						
		1 PLACE ± --- ± ---	ANGULAR ± 5 °	APPROVED BY GGLEE	DATE 2005/08/30	MOLEX INCORPORATED					
DRAFT WHERE APPLICABLE MUST REMAIN WITHIN DIMENSIONS	SIZE A3	SEE TABLE			MATERIAL NO. DOCUMENT NO. SD-87978-001	SHEET NO. 2 OF 5					

9 8 7 6 5 4 3 2 1

10 9 8 7 6 5 4 3 2 1

F

E

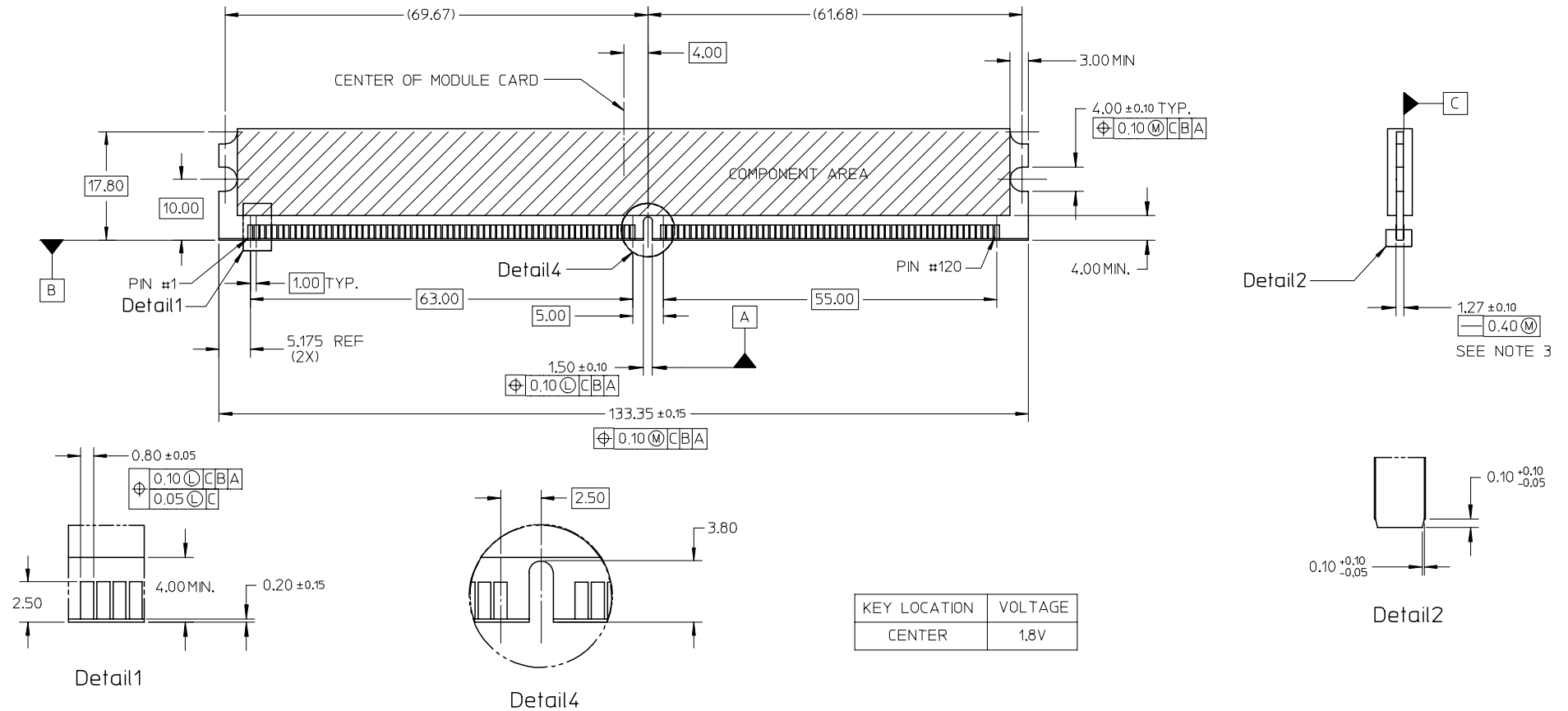
D

C

B

A

RECOMMENDED MODULE LAYOUT



NOTES:
1. MODULE CARD USED FOR TESTS ARE WITH 0.10MM CHAMFER.

REVISED	DESCRIPTION
EC NO: S2008-0235	2007/09/27
DRWN:CMTEO	2007/09/27
CHKD:CCTEH	2007/09/28
APPR:SHLENI	2007/09/28

QUALITY SYMBOLS	▽=0
	∇=0

GENERAL TOLERANCES (UNLESS SPECIFIED)	DIMENSION STYLE MM ONLY	
	mm	INCH
4 PLACES	± ---	± ---
3 PLACES	± ---	± ---
2 PLACES	± 0.20	± ---
1 PLACE	± ---	± ---
ANGULAR ± 5 °		
DRAFT WHERE APPLICABLE MUST REMAIN WITHIN DIMENSIONS		

DRAWN BY	DATE	TITLE
CCTEH	2005/01/03	DDR2 DIMM, 1MM PITCH
CHECKED BY	DATE	240 CKTS, FORK-LOCK VERS
SRRAMESH	2005/08/30	VLP LATCH
APPROVED BY	DATE	MOLEX INCORPORATED
GGLEE	2005/08/30	
MATERIAL NO.	DOCUMENT NO.	SHEET NO.
	SD-87978-001	3 OF 5
SIZE	THIS DRAWING CONTAINS INFORMATION THAT IS PROPRIETARY TO MOLEX INCORPORATED AND SHOULD NOT BE USED WITHOUT WRITTEN PERMISSION	
A3		

9 8 7 6 5 4 3 2 1

10 9 8 7 6 5 4 3 2 1

F

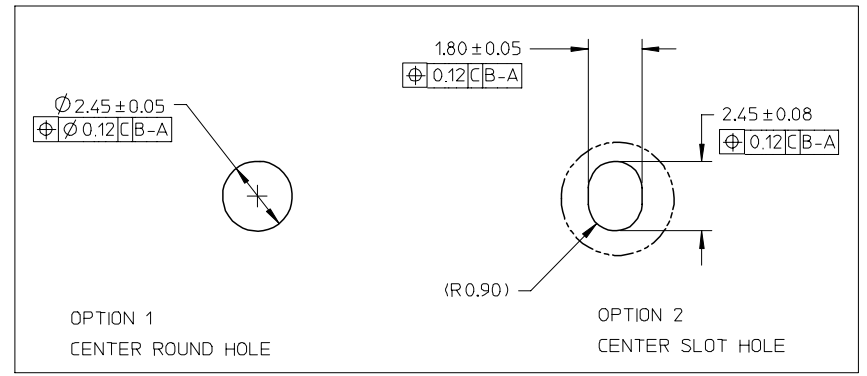
E

D

C

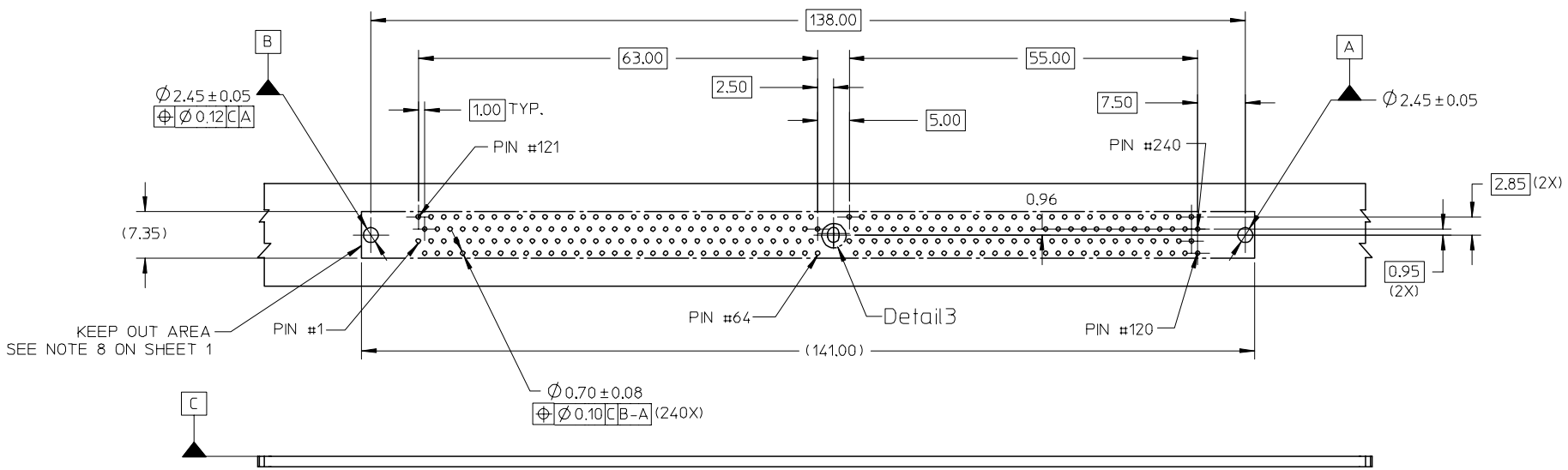
B

A



(SEE RECOMMENDED THICKNESS IN TABLE)
RECOMMENDED PCB LAYOUT
CONNECTOR SIDE

Detail3



REVISED EC NO: S2008-0235 DRWN:CMTEO 2007/09/27 CHKD:CCTEH 2007/09/27 APPR:SHLENI 2007/09/28	QUALITY SYMBOLS ▽=0 ▽=0	GENERAL TOLERANCES (UNLESS SPECIFIED)		DIMENSION STYLE MM ONLY		SCALE NTS	DESIGN UNITS METRIC	THIRD ANGLE PROJECTION			
		4 PLACES ± --- ± ---	3 PLACES ± --- ± ---	2 PLACES ± 0.20 ± ---	1 PLACE ± --- ± ---	ANGULAR ± 5 °	DRAWN BY CCTEH	DATE 2005/01/03	TITLE DDR2 DIMM, 1MM PITCH 240 CKTS, FORK-LOCK VERS VLP LATCH		
							APPROVED BY GGLEE	DATE 2005/08/30	MOLEX INCORPORATED		
		DRAFT WHERE APPLICABLE MUST REMAIN WITHIN DIMENSIONS					MATERIAL NO. SEE TABLE		DOCUMENT NO. SD-87978-001	SHEET NO. 4 OF 5	

9 8 7 6 5 4 3 2 1

10 9 8 7 6 5 4 3 2 1

PART NO.	KEY POS.	DIM 'P'	RECOMMENDED PCB THICKNESS	PLATING OPTION	LATCH COLOR
87978-0021	CENTER (1.8V)	2.67	1.57	0.38µM / 15 µIN MIN. GOLD ON CONTACT, 2.54µM/ 100µIN MIN. TIN ON SOLDERTAILS, 1.27µM/ 50µIN MIN. NICKEL UNDERPLATE	BLACK
87978-1021	CENTER (1.8V)	3.18	2.36		
87978-0031	CENTER (1.8V)	2.67	1.57	0.03µM / 1 µIN MIN. GOLD ON CONTACT, 2.54µM/ 100µIN MIN. TIN ON SOLDERTAILS, 1.27µM/ 50µIN MIN. NICKEL UNDERPLATE	
87978-1031	CENTER (1.8V)	3.18	2.36		
87978-0051	CENTER (1.8V)	2.67	1.57	0.76µM / 30 µIN MIN. GOLD ON CONTACT, 2.54µM/ 100µIN MIN. TIN ON SOLDERTAILS, 1.27µM/ 50µIN MIN. NICKEL UNDERPLATE	
87978-1051	CENTER (1.8V)	3.18	2.36		

REVISED EC NO: S2008-0235 DRWN:CMTEO 2007/09/27 CHKD:CCTEH 2007/09/27 APPR:SHLENI 2007/09/28	QUALITY SYMBOLS =0 =0	GENERAL TOLERANCES (UNLESS SPECIFIED)		DIMENSION STYLE MM ONLY		SCALE NTS	DESIGN UNITS METRIC	THIRD ANGLE PROJECTION		
						DRAWN BY CCTEH	DATE 2005/01/03	TITLE DDR2 DIMM, 1MM PITCH 240 CKTS, FORK-LOCK VERS VLP LATCH		
						CHECKED BY SRRAMESH	DATE 2005/08/30			
						APPROVED BY GGLEE	DATE 2005/08/30	MOLEX INCORPORATED DOCUMENT NO. SD-87978-001		
				MATERIAL NO. SEE TABLE		SHEET NO. 5 OF 5				
DRAFT WHERE APPLICABLE MUST REMAIN WITHIN DIMENSIONS				SIZE 		THIS DRAWING CONTAINS INFORMATION THAT IS PROPRIETARY TO MOLEX INCORPORATED AND SHOULD NOT BE USED WITHOUT WRITTEN PERMISSION				

9 8 7 6 5 4 3 2 1

Компания «Океан Электроники» предлагает заключение долгосрочных отношений при поставках импортных электронных компонентов на взаимовыгодных условиях!

Наши преимущества:

- Поставка оригинальных импортных электронных компонентов напрямую с производств Америки, Европы и Азии, а так же с крупнейших складов мира;
- Широкая линейка поставок активных и пассивных импортных электронных компонентов (более 30 млн. наименований);
- Поставка сложных, дефицитных, либо снятых с производства позиций;
- Оперативные сроки поставки под заказ (от 5 рабочих дней);
- Экспресс доставка в любую точку России;
- Помощь Конструкторского Отдела и консультации квалифицированных инженеров;
- Техническая поддержка проекта, помощь в подборе аналогов, поставка прототипов;
- Поставка электронных компонентов под контролем ВП;
- Система менеджмента качества сертифицирована по Международному стандарту ISO 9001;
- При необходимости вся продукция военного и аэрокосмического назначения проходит испытания и сертификацию в лаборатории (по согласованию с заказчиком);
- Поставка специализированных компонентов военного и аэрокосмического уровня качества (Xilinx, Altera, Analog Devices, Intersil, Interpoint, Microsemi, Actel, Aeroflex, Peregrine, VPT, Syfer, Eurofarad, Texas Instruments, MS Kennedy, Miteq, Cobham, E2V, MA-COM, Hittite, Mini-Circuits, General Dynamics и др.);

Компания «Океан Электроники» является официальным дистрибьютором и эксклюзивным представителем в России одного из крупнейших производителей разъемов военного и аэрокосмического назначения «JONHON», а так же официальным дистрибьютором и эксклюзивным представителем в России производителя высокотехнологичных и надежных решений для передачи СВЧ сигналов «FORSTAR».



JONHON

«JONHON» (основан в 1970 г.)

Разъемы специального, военного и аэрокосмического назначения:

(Применяются в военной, авиационной, аэрокосмической, морской, железнодорожной, горно- и нефтедобывающей отраслях промышленности)

«FORSTAR» (основан в 1998 г.)

ВЧ соединители, коаксиальные кабели, кабельные сборки и микроволновые компоненты:

(Применяются в телекоммуникациях гражданского и специального назначения, в средствах связи, РЛС, а так же военной, авиационной и аэрокосмической отраслях промышленности).



Телефон: 8 (812) 309-75-97 (многоканальный)

Факс: 8 (812) 320-03-32

Электронная почта: ocean@oceanchips.ru

Web: <http://oceanchips.ru/>

Адрес: 198099, г. Санкт-Петербург, ул. Калинина, д. 2, корп. 4, лит. А