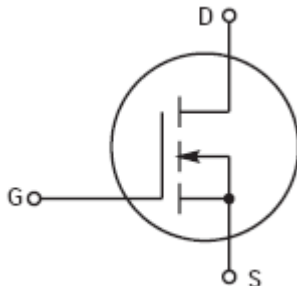


RF Power FET 150W, to 150MHz, 50V

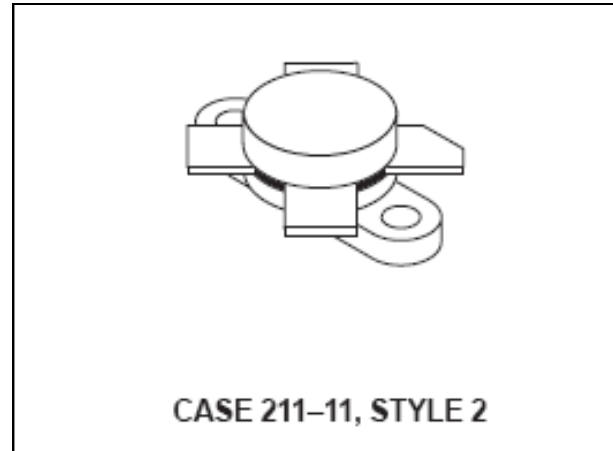
Rev. V1

Designed primarily for linear large-signal output stages up to 150 MHz

- Superior high order IMD
IMD(d3) (150W PEP): -32dB (Typ.)
IMD(d11) (150W PEP): -60dB (Typ.)
- Specified 50V, 30MHz characteristics
Output power = 150 Watts
Power gain = 17 dB (Typ.)
Efficiency = 45% (Typ.)
- 100% tested for load mismatch at all phase angles



Product Image



MAXIMUM RATINGS

| Rating | Symbol | Value | Unit |
|----------------------------------------------------------------------------------------|-----------|-------------|------------------------------|
| Drain-Source Voltage | V_{DSS} | 125 | Vdc |
| Drain-Gate Voltage | V_{DGO} | 125 | Vdc |
| Gate-Source Voltage | V_{GS} | ± 40 | Vdc |
| Drain Current — Continuous | I_D | 16 | Adc |
| Total Device Dissipation @ $T_C = 25^\circ\text{C}$ Derate above 25°C | P_D | 300 1.71 | Watts W/ $^\circ\text{C}$ |
| Storage Temperature Range | T_{stg} | -65 to +150 | $^\circ\text{C}$ |
| Operating Junction Temperature | T_J | 200 | $^\circ\text{C}$ |

THERMAL CHARACTERISTICS

| Characteristic | Symbol | Max | Unit |
|--------------------------------------|-----------------|-----|--------------------|
| Thermal Resistance, Junction to Case | $R_{\theta JC}$ | 0.6 | $^\circ\text{C/W}$ |

NOTE — CAUTION — MOS devices are susceptible to damage from electrostatic charge. Reasonable precautions in handling and packaging MOS devices should be observed.

ELECTRICAL CHARACTERISTICS ($T_C = 25^\circ\text{C}$ unless otherwise noted.)

| Characteristic | Symbol | Min | Typ | Max | Unit |
|----------------|--------|-----|-----|-----|------|
|----------------|--------|-----|-----|-----|------|

OFF CHARACTERISTICS

| | | | | | |
|------------------------------------------------------------------------|---------------|-----|---|-----|-----------------|
| Drain–Source Breakdown Voltage ($V_{GS} = 0, I_D = 100\text{ mA}$) | $V_{(BR)DSS}$ | 125 | — | — | Vdc |
| Zero Gate Voltage Drain Current ($V_{DS} = 50\text{ V}, V_{GS} = 0$) | I_{DSS} | — | — | 5.0 | mAdc |
| Gate–Body Leakage Current ($V_{GS} = 20\text{ V}, V_{DS} = 0$) | I_{GSS} | — | — | 1.0 | μAdc |

ON CHARACTERISTICS

| | | | | | |
|-------------------------------------------------------------------------|--------------|-----|-----|-----|------|
| Gate Threshold Voltage ($V_{DS} = 10\text{ V}, I_D = 100\text{ mA}$) | $V_{GS(th)}$ | 1.0 | 3.0 | 5.0 | Vdc |
| Drain–Source On–Voltage ($V_{GS} = 10\text{ V}, I_D = 10\text{ A}$) | $V_{DS(on)}$ | 1.0 | 3.0 | 5.0 | Vdc |
| Forward Transconductance ($V_{DS} = 10\text{ V}, I_D = 5.0\text{ A}$) | g_{fs} | 4.0 | 7.0 | — | mhos |

DYNAMIC CHARACTERISTICS

| | | | | | |
|-----------------------------------------------------------------------------------------|-----------|---|-----|---|----|
| Input Capacitance ($V_{DS} = 50\text{ V}, V_{GS} = 0, f = 1.0\text{ MHz}$) | C_{iss} | — | 400 | — | pF |
| Output Capacitance ($V_{DS} = 50\text{ V}, V_{GS} = 0, f = 1.0\text{ MHz}$) | C_{oss} | — | 240 | — | pF |
| Reverse Transfer Capacitance ($V_{DS} = 50\text{ V}, V_{GS} = 0, f = 1.0\text{ MHz}$) | C_{rss} | — | 40 | — | pF |

FUNCTIONAL TESTS (SSB)

| | | | | | |
|------------------------------------------------------------------------------------------------------------------------------------------------------------------|-------------------------------|--------------------------------|------------|---|----|
| Common Source Amplifier Power Gain ($V_{DD} = 50\text{ V}, P_{out} = 150\text{ W (PEP)}, I_{DQ} = 250\text{ mA}$) | G_{ps} | — | 17 8.0 | — | dB |
| Drain Efficiency ($V_{DD} = 50\text{ V}, P_{out} = 150\text{ W (PEP)}, f = 30; 30.001\text{ MHz}, I_D (\text{Max}) = 3.75\text{ A}$) | η | — | 45 | — | % |
| Intermodulation Distortion (1) ($V_{DD} = 50\text{ V}, P_{out} = 150\text{ W (PEP)}, f_1 = 30\text{ MHz}, f_2 = 30.001\text{ MHz}, I_{DQ} = 250\text{ mA}$) | $IMD_{(d3)}$ $IMD_{(d11)}$ | — | —32 —60 | — | dB |
| Load Mismatch ($V_{DD} = 50\text{ V}, P_{out} = 150\text{ W (PEP)}, f = 30; 30.001\text{ MHz}, I_{DQ} = 250\text{ mA}, VSWR 30:1$ at all Phase Angles) | ψ | No Degradation in Output Power | | | |

CLASS A PERFORMANCE

| | | | | | |
|-------------------------------------------------------------------------------------------------------------------------------------------------------------------------------|---------------------------------------------|---|------------------|---|----|
| Intermodulation Distortion (1) and Power Gain ($V_{DD} = 50\text{ V}, P_{out} = 50\text{ W (PEP)}, f_1 = 30\text{ MHz}, f_2 = 30.001\text{ MHz}, I_{DQ} = 3.0\text{ A}$) | G_{PS} $IMD_{(d3)}$ $IMD_{(d9-13)}$ | — | 20 —50 —75 | — | dB |
|-------------------------------------------------------------------------------------------------------------------------------------------------------------------------------|---------------------------------------------|---|------------------|---|----|

NOTE:

- To MIL–STD–1311 Version A, Test Method 2204B, Two Tone, Reference Each Tone.

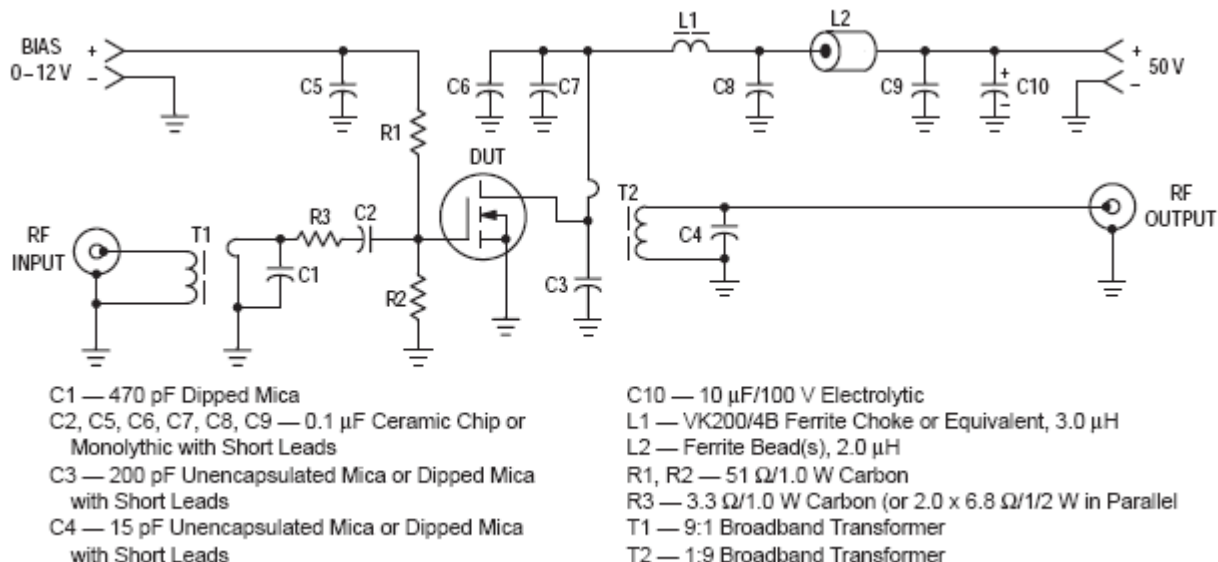


Figure 1. 30MHz test circuit, 30MHz

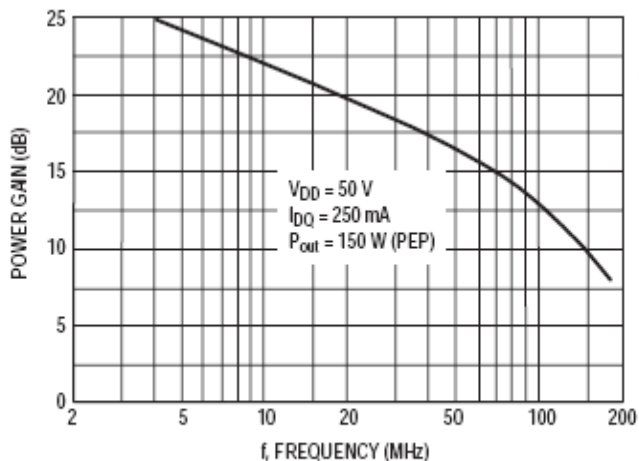


Figure 2. Power Gain versus Frequency

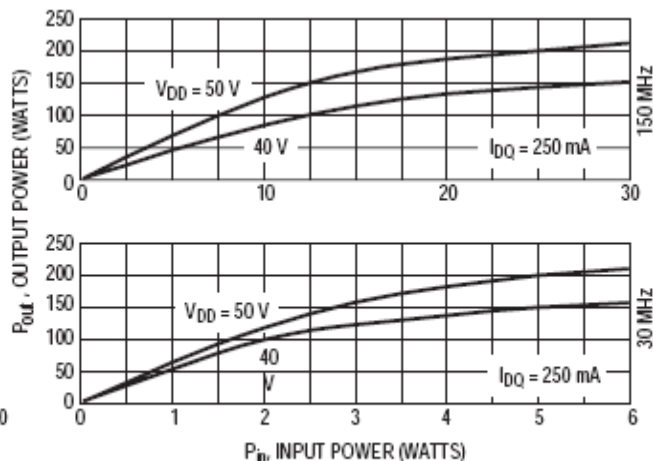


Figure 3. Output Power versus Input Power

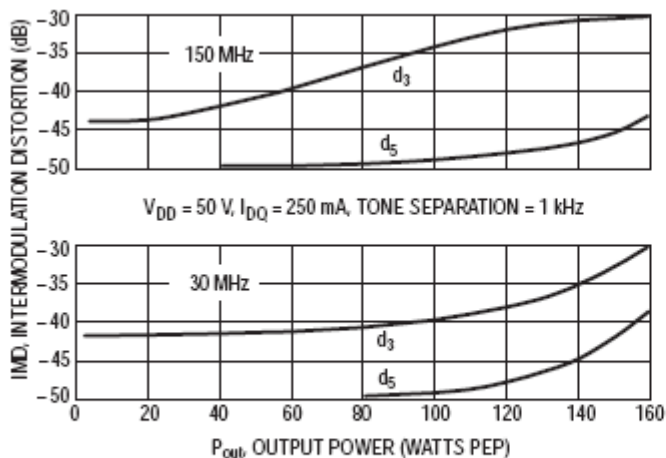


Figure 4. IMD versus P_{out}

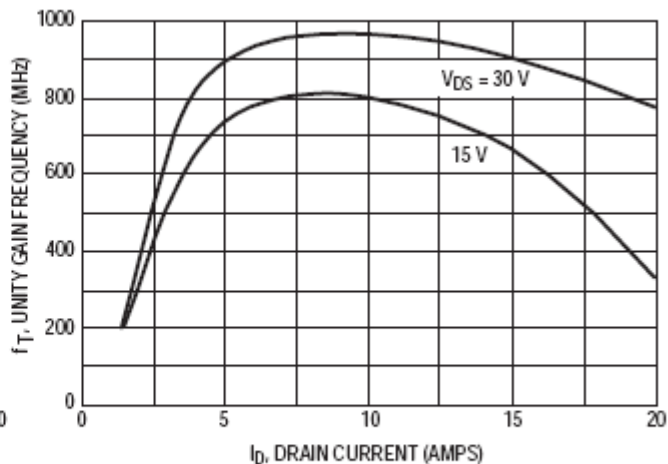


Figure 5. Common Source Unity Gain Frequency versus Drain Current

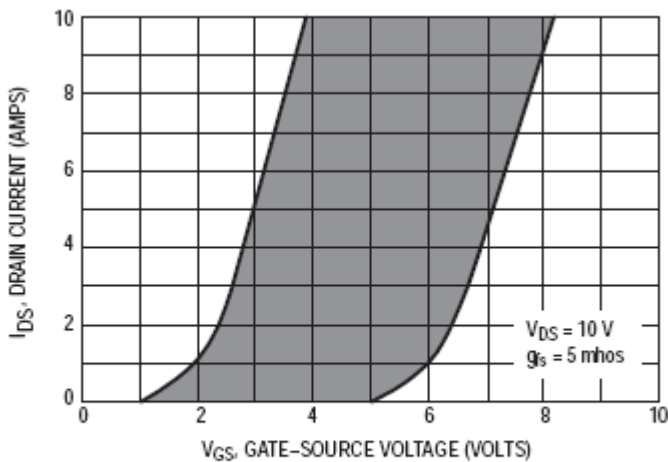


Figure 6. Gate Voltage versus Drain Current

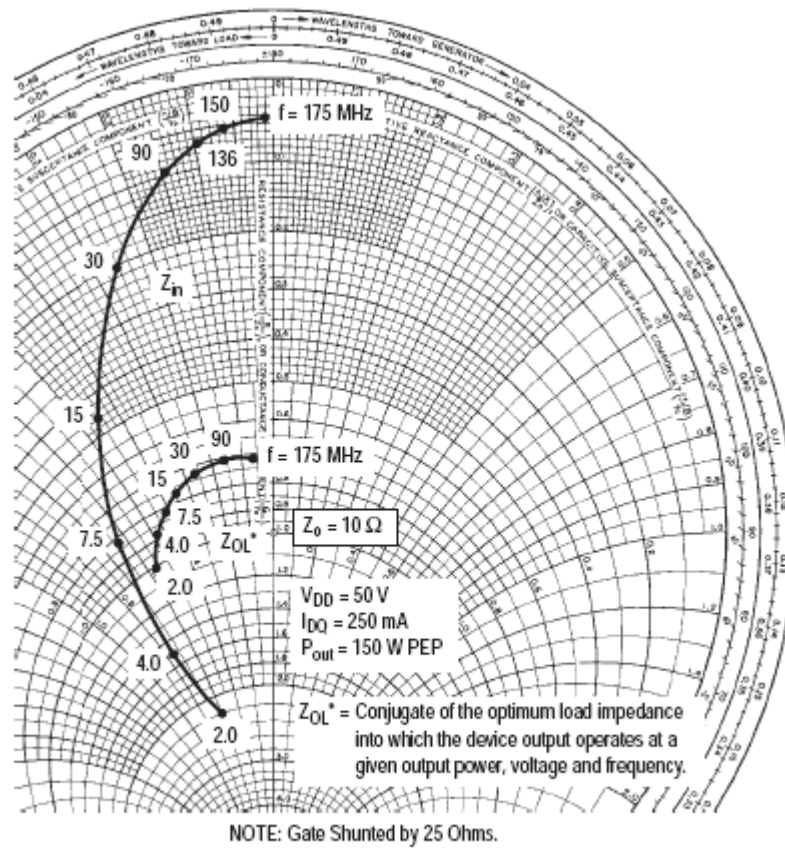


Figure 7. Series Equivalent Impedance

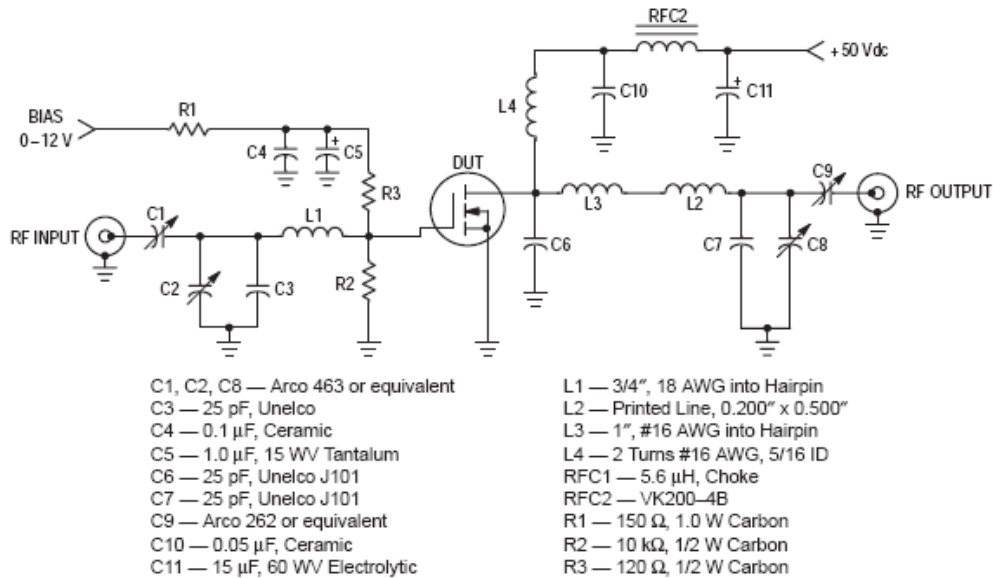


Figure 8. 150 MHz Test Circuit (Class AB)

Table 1. Common Source S-Parameters ($V_{DS} = 50\text{ V}$, $I_D = 2\text{ A}$)

| f MHz | S ₁₁ | | S ₂₁ | | S ₁₂ | | S ₂₂ | |
|----------|-----------------|------|-----------------|----|-----------------|----|-----------------|------|
| | S ₁₁ | φ | S ₂₁ | φ | S ₁₂ | φ | S ₂₂ | φ |
| 30 | 0.936 | -179 | 4.13 | 84 | 0.011 | 22 | 0.844 | -176 |
| 40 | 0.936 | -179 | 3.16 | 79 | 0.012 | 23 | 0.842 | -180 |
| 50 | 0.936 | -180 | 2.52 | 75 | 0.013 | 29 | 0.855 | -179 |
| 60 | 0.937 | 180 | 2.13 | 72 | 0.014 | 36 | 0.854 | 179 |
| 70 | 0.939 | 179 | 1.81 | 68 | 0.013 | 42 | 0.870 | 179 |
| 80 | 0.940 | 179 | 1.53 | 67 | 0.013 | 45 | 0.868 | -179 |
| 90 | 0.941 | 179 | 1.34 | 65 | 0.014 | 46 | 0.855 | -178 |
| 100 | 0.942 | 179 | 1.21 | 60 | 0.016 | 46 | 0.874 | 180 |
| 110 | 0.942 | 179 | 1.11 | 58 | 0.018 | 52 | 0.875 | 178 |
| 120 | 0.945 | 178 | 0.99 | 56 | 0.019 | 61 | 0.893 | 180 |
| 130 | 0.946 | 178 | 0.88 | 53 | 0.019 | 67 | 0.902 | -179 |
| 140 | 0.947 | 178 | 0.83 | 52 | 0.019 | 68 | 0.919 | -179 |
| 150 | 0.949 | 177 | 0.74 | 49 | 0.020 | 63 | 0.910 | -179 |
| 160 | 0.949 | 177 | 0.71 | 46 | 0.024 | 62 | 0.889 | -180 |
| 170 | 0.952 | 177 | 0.65 | 44 | 0.026 | 68 | 0.878 | 179 |
| 180 | 0.953 | 177 | 0.59 | 42 | 0.029 | 72 | 0.921 | 179 |
| 190 | 0.954 | 176 | 0.57 | 41 | 0.029 | 75 | 0.949 | 178 |
| 200 | 0.956 | 176 | 0.52 | 39 | 0.028 | 74 | 0.929 | 178 |
| 210 | 0.955 | 176 | 0.51 | 38 | 0.030 | 71 | 0.934 | 179 |
| 220 | 0.957 | 175 | 0.49 | 35 | 0.034 | 70 | 0.918 | 177 |
| 230 | 0.960 | 175 | 0.43 | 32 | 0.039 | 71 | 0.977 | 175 |
| 240 | 0.959 | 175 | 0.42 | 32 | 0.040 | 74 | 0.941 | 175 |
| 250 | 0.961 | 175 | 0.39 | 32 | 0.040 | 77 | 0.944 | 176 |
| 260 | 0.961 | 175 | 0.36 | 31 | 0.040 | 76 | 0.948 | 177 |
| 270 | 0.960 | 174 | 0.35 | 29 | 0.043 | 74 | 0.947 | 175 |
| 280 | 0.963 | 174 | 0.34 | 29 | 0.046 | 73 | 0.929 | 174 |
| 290 | 0.963 | 174 | 0.32 | 25 | 0.048 | 74 | 0.918 | 172 |
| 300 | 0.965 | 173 | 0.32 | 28 | 0.051 | 78 | 0.925 | 174 |
| 310 | 0.966 | 173 | 0.29 | 27 | 0.052 | 79 | 0.953 | 174 |
| 320 | 0.963 | 173 | 0.28 | 26 | 0.054 | 76 | 0.954 | 172 |
| 330 | 0.965 | 172 | 0.26 | 22 | 0.057 | 74 | 0.914 | 171 |
| 340 | 0.966 | 172 | 0.26 | 27 | 0.058 | 72 | 0.925 | 171 |
| 350 | 0.965 | 172 | 0.26 | 25 | 0.062 | 75 | 0.934 | 171 |
| 360 | 0.968 | 171 | 0.25 | 25 | 0.065 | 74 | 0.979 | 171 |
| 370 | 0.967 | 171 | 0.23 | 24 | 0.064 | 73 | 0.993 | 168 |
| 380 | 0.967 | 171 | 0.24 | 22 | 0.068 | 74 | 0.952 | 172 |
| 390 | 0.969 | 170 | 0.22 | 26 | 0.069 | 74 | 0.942 | 170 |
| 400 | 0.968 | 170 | 0.21 | 23 | 0.072 | 76 | 0.936 | 172 |
| 410 | 0.968 | 170 | 0.21 | 24 | 0.076 | 73 | 0.984 | 168 |
| 420 | 0.970 | 169 | 0.20 | 25 | 0.078 | 71 | 0.977 | 167 |
| 430 | 0.969 | 169 | 0.18 | 25 | 0.082 | 72 | 0.959 | 168 |
| 440 | 0.970 | 169 | 0.19 | 25 | 0.082 | 73 | 0.953 | 169 |

Table 1. Common Source S-Parameters ($V_{DS} = 50\text{ V}$, $I_D = 2\text{ A}$) continued

| f MHz | S ₁₁ | | S ₂₁ | | S ₁₂ | | S ₂₂ | |
|----------|-----------------|-----|-----------------|----|-----------------|----|-----------------|-----|
| | S ₁₁ | φ | S ₂₁ | φ | S ₁₂ | φ | S ₂₂ | φ |
| 450 | 0.971 | 168 | 0.19 | 24 | 0.085 | 75 | 0.960 | 168 |
| 460 | 0.972 | 168 | 0.17 | 26 | 0.086 | 70 | 0.960 | 164 |
| 470 | 0.972 | 168 | 0.17 | 23 | 0.087 | 70 | 0.952 | 165 |
| 480 | 0.969 | 167 | 0.18 | 26 | 0.093 | 70 | 0.977 | 166 |
| 490 | 0.969 | 167 | 0.18 | 25 | 0.099 | 71 | 0.966 | 166 |
| 500 | 0.969 | 166 | 0.17 | 26 | 0.101 | 71 | 0.972 | 164 |

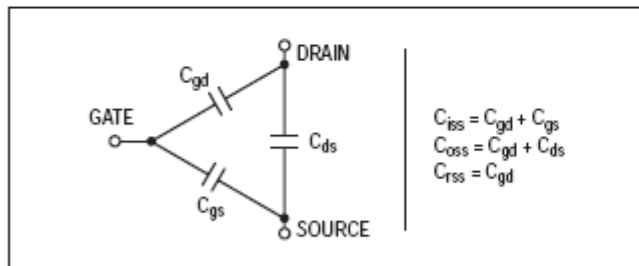
RF POWER MOSFET CONSIDERATIONS

MOSFET CAPACITANCES

The physical structure of a MOSFET results in capacitors between the terminals. The metal oxide gate structure determines the capacitors from gate-to-drain (C_{gd}), and gate-to-source (C_{gs}). The PN junction formed during the fabrication of the RF MOSFET results in a junction capacitance from drain-to-source (C_{ds}).

These capacitances are characterized as input (C_{iss}), output (C_{oss}) and reverse transfer (C_{rss}) capacitances on data sheets. The relationships between the inter-terminal capacitances and those given on data sheets are shown below. The C_{iss} can be specified in two ways:

1. Drain shorted to source and positive voltage at the gate.
2. Positive voltage of the drain in respect to source and zero volts at the gate. In the latter case the numbers are lower. However, neither method represents the actual operating conditions in RF applications.



LINEARITY AND GAIN CHARACTERISTICS

In addition to the typical IMD and power gain data presented, Figure 5 may give the designer additional information on the capabilities of this device. The graph represents the small signal unity current gain frequency at a given drain current level. This is equivalent to f_T for bipolar transistors.

Since this test is performed at a fast sweep speed, heating of the device does not occur. Thus, in normal use, the higher temperatures may degrade these characteristics to some extent.

DRAIN CHARACTERISTICS

One figure of merit for a FET is its static resistance in the full-on condition. This on-resistance, $V_{DS(on)}$, occurs in the linear region of the output characteristic and is specified under specific test conditions for gate-source voltage and drain current. For MOSFETs, $V_{DS(on)}$ has a positive temperature coefficient and constitutes an important design consideration at high temperatures, because it contributes to the power dissipation within the device.

GATE CHARACTERISTICS

The gate of the RF MOSFET is a polysilicon material, and is electrically isolated from the source by a layer of oxide. The input resistance is very high — on the order of 10^9 ohms — resulting in a leakage current of a few nanoamperes.

Gate control is achieved by applying a positive voltage slightly in excess of the gate-to-source threshold voltage, $V_{GS(th)}$.

Gate Voltage Rating — Never exceed the gate voltage rating. Exceeding the rated V_{GS} can result in permanent damage to the oxide layer in the gate region.

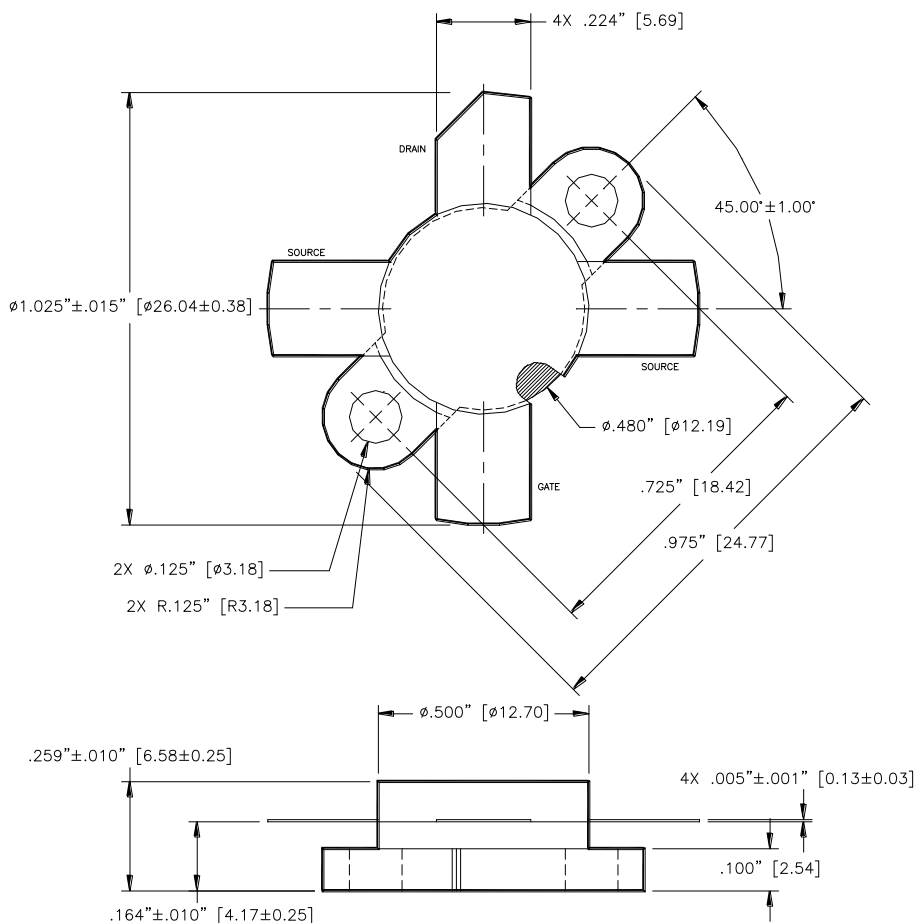
Gate Termination — The gates of these devices are essentially capacitors. Circuits that leave the gate open-circuited or floating should be avoided. These conditions can result in turn-on of the devices due to voltage build-up on the input capacitor due to leakage currents or pickup.

Gate Protection — These devices do not have an internal monolithic zener diode from gate-to-source. If gate protection is required, an external zener diode is recommended.

EQUIVALENT TRANSISTOR PARAMETER TERMINOLOGY

| | |
|---------------------|---------------|
| Collector | Drain |
| Emitter | Source |
| Base | Gate |
| $V_{(BR)CES}$ | $V_{(BR)DSS}$ |
| V_{CBO} | V_{DGO} |
| I_C | I_D |
| I_{CES} | I_{DSS} |
| I_{EBO} | I_{GSS} |
| $V_{BE(on)}$ | $V_{GS(th)}$ |
| $V_{CE(sat)}$ | $V_{DS(on)}$ |
| C_{ib} | C_{iss} |
| C_{cb} | C_{oss} |
| h_{fe} | g_{fs} |

$$R_{CE(sat)} = \frac{V_{CE(sat)}}{I_C} \quad \dots \quad r_{DS(on)} = \frac{V_{DS(on)}}{I_D}$$



Unless otherwise noted, tolerances are inches ± 0.005 [millimeters ± 0.13 mm]

M/A-COM Technology Solutions Inc. All rights reserved.

Information in this document is provided in connection with M/A-COM Technology Solutions Inc ("MACOM") products. These materials are provided by MACOM as a service to its customers and may be used for informational purposes only. Except as provided in MACOM's Terms and Conditions of Sale for such products or in any separate agreement related to this document, MACOM assumes no liability whatsoever. MACOM assumes no responsibility for errors or omissions in these materials. MACOM may make changes to specifications and product descriptions at any time, without notice. MACOM makes no commitment to update the information and shall have no responsibility whatsoever for conflicts or incompatibilities arising from future changes to its specifications and product descriptions. No license, express or implied, by estoppel or otherwise, to any intellectual property rights is granted by this document.

THESE MATERIALS ARE PROVIDED "AS IS" WITHOUT WARRANTY OF ANY KIND, EITHER EXPRESS OR IMPLIED, RELATING TO SALE AND/OR USE OF MACOM PRODUCTS INCLUDING LIABILITY OR WARRANTIES RELATING TO FITNESS FOR A PARTICULAR PURPOSE, CONSEQUENTIAL OR INCIDENTAL DAMAGES, MERCHANTABILITY, OR INFRINGEMENT OF ANY PATENT, COPYRIGHT OR OTHER INTELLECTUAL PROPERTY RIGHT. MACOM FURTHER DOES NOT WARRANT THE ACCURACY OR COMPLETENESS OF THE INFORMATION, TEXT, GRAPHICS OR OTHER ITEMS CONTAINED WITHIN THESE MATERIALS. MACOM SHALL NOT BE LIABLE FOR ANY SPECIAL, INDIRECT, INCIDENTAL, OR CONSEQUENTIAL DAMAGES, INCLUDING WITHOUT LIMITATION, LOST REVENUES OR LOST PROFITS, WHICH MAY RESULT FROM THE USE OF THESE MATERIALS.

MACOM products are not intended for use in medical, lifesaving or life sustaining applications. MACOM customers using or selling MACOM products for use in such applications do so at their own risk and agree to fully indemnify MACOM for any damages resulting from such improper use or sale.

Компания «Океан Электроники» предлагает заключение долгосрочных отношений при поставках импортных электронных компонентов на взаимовыгодных условиях!

Наши преимущества:

- Поставка оригинальных импортных электронных компонентов напрямую с производств Америки, Европы и Азии, а так же с крупнейших складов мира;
- Широкая линейка поставок активных и пассивных импортных электронных компонентов (более 30 млн. наименований);
- Поставка сложных, дефицитных, либо снятых с производства позиций;
- Оперативные сроки поставки под заказ (от 5 рабочих дней);
- Экспресс доставка в любую точку России;
- Помощь Конструкторского Отдела и консультации квалифицированных инженеров;
- Техническая поддержка проекта, помощь в подборе аналогов, поставка прототипов;
- Поставка электронных компонентов под контролем ВП;
- Система менеджмента качества сертифицирована по Международному стандарту ISO 9001;
- При необходимости вся продукция военного и аэрокосмического назначения проходит испытания и сертификацию в лаборатории (по согласованию с заказчиком);
- Поставка специализированных компонентов военного и аэрокосмического уровня качества (Xilinx, Altera, Analog Devices, Intersil, Interpoint, Microsemi, Actel, Aeroflex, Peregrine, VPT, Syfer, Eurofarad, Texas Instruments, MS Kennedy, Miteq, Cobham, E2V, MA-COM, Hittite, Mini-Circuits, General Dynamics и др.);

Компания «Океан Электроники» является официальным дистрибьютором и эксклюзивным представителем в России одного из крупнейших производителей разъемов военного и аэрокосмического назначения «JONHON», а так же официальным дистрибьютором и эксклюзивным представителем в России производителя высокотехнологичных и надежных решений для передачи СВЧ сигналов «FORSTAR».



JONHON

«JONHON» (основан в 1970 г.)

Разъемы специального, военного и аэрокосмического назначения:

(Применяются в военной, авиационной, аэрокосмической, морской, железнодорожной, горно- и нефтедобывающей отраслях промышленности)

«FORSTAR» (основан в 1998 г.)

ВЧ соединители, коаксиальные кабели, кабельные сборки и микроволновые компоненты:

(Применяются в телекоммуникациях гражданского и специального назначения, в средствах связи, РЛС, а так же военной, авиационной и аэрокосмической отраслях промышленности).



Телефон: 8 (812) 309-75-97 (многоканальный)

Факс: 8 (812) 320-03-32

Электронная почта: ocean@oceanchips.ru

Web: <http://oceanchips.ru/>

Адрес: 198099, г. Санкт-Петербург, ул. Калинина, д. 2, корп. 4, лит. А