

Series 14

22.5mm 30.5mm IP67 5A 250VAC



Choose one component from each of the colored sections to assemble a complete switch. For other options or further information please contact EAO Switch directly.

Product Profile

The Series 14 is a high quality switch range that includes pushbuttons, indicators, mushroom headed switches, selector switches and 2 position key switches.

Options include self cleaning, snap-action or low level switching elements.

Technical drawings see pages 26-27

- IP67 Protection
- Switch Rating:
 - Maximum Voltage, 250VAC
 - Maximum Thermal Current, $I_{th} = 5A$
 - 24VDC/2A, 250VAC/5A
- Raised Mounting into 22.5mm cut out
- Flush Mounting into 30.5mm cut out
- Illumination using T5.5 Lamps or LED's
- All standard lenses are transparent with translucent diffuser
- Solder, plug-in or PCB connections
- Low lever versions available

Indicator



Indicator body round for raised full face, black plastic, 22.5mm mounting, solder terminals

Part No.
14-030.005



Indicator body for raised and flush mount, black plastic for use with 22.5mm and 30.5mm mounting, solder terminals

Part No.
14-040.005
For flush mount (30.5mm mounting) order bezel 704.955.0 or 704.955.1

For complete switch also order **A**

For complete switch also order **A**

Illuminated pushbutton



Illuminated pushbutton actuator for raised and flush mount, black plastic, solder terminal, snap-action, gold over silver contacts

Part No.	Action	Contact type
14-131.025	Momentary	1NO/1NC
14-132.025	Momentary	2NO/2NC
14-271.025	Maintained	1NO/1NC
14-272.025	Maintained	2NO/2NC
For flush mount order bezel 704.955.0 or 704.955.1		

For complete switch also order **A**

Keylock switch



Illuminated pushbutton actuator for raised and flush mount, black plastic, plug-in terminal, snap-action, gold over silver contacts

Part No.	Action	Contact type
14-131.022	Momentary	1NO/1NC
14-271.022	Maintained	1NO/1NC
14-132.022	Momentary	2NO/2NC
14-272.022	Maintained	2NO/2NC
For flush mount order bezel 704.955.0 or 704.955.1		

For complete switch also order **A**

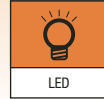


Keylock switch, 2 position, raised, gold over silver contacts, solder terminals, snap-action

Drawing	Part No.	Action	Key rem.	Contact type
1	14-141.025K	Momentary	A	1NO/1NC
2	14-235.025K	Maintained	A	1NO/1NC
	For flush mount order bezel 704.955.0 or 704.955.1			

For complete switch also order **A**

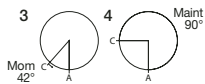
Choose one component from each of the colored sections to assemble a complete switch.
For other options or further information please contact EAO Switch directly.



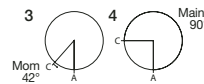
Selector switch **Buzzer**



Selector switch short lever
2 position, raised, snap-
action, solder terminals



Selector switch long lever
2 position, raised, snap-
action, solder terminals



Buzzer, plastic bezel, raised, 22.5mm mounting,
24VDC, IP65, 95dB ± 8 at a distance of 0.1m

Drawing	Part No.	Action	Contact type	Drawing	Part No.	Action	Contact type	Part No.	Product description
3	14-501.025	Momentary	1NC/1NO	3	14-551.025	Momentary	1NO/1NC	14-810.002	Black plastic
4	14-506.025	Maintained	1NC/1NO	4	14-556.025	Maintained	1NO/1NC	14-810.902	Chromium-plate
For flush mount order bezel 704.955.0 or 704.955.1									

For complete switch also order **A**

For complete switch also order **A**

Buzzer **LED**



Buzzer, plastic bezel, flush mount,
30.5mm mounting, 24VDC, IP40,
95dB ± 8 at a distance of 0.1m

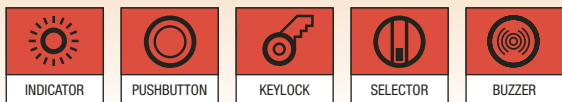


LED, T-5.5, single chip, 6 Volt and 12 Volt



LED, T-5.5, single chip, 24 Volt and 28 Volt

Part No.	Front finish	Color	Part No.	Voltage	Color	Part No.	Voltage
14-810.910	Black plastic	Red	10-2106.3142	6VDC/15mA	Red	10-2112.1062	24VAC/DC, 7/14mA
14-810.918	Chromium-plated	Yellow	10-2106.3144	6VDC/15mA	Yellow	10-2112.1064	24VAC/DC, 7/14mA
		Green	10-2106.3145	6VDC/7mA	Green	10-2112.1065	24VAC/DC, 4/7mA
		Blue	10-2106.3146	6VDC/15mA	Blue	10-2112.1066	24VAC/DC, 7/14mA
		White	10-2106.3149	6VDC/15mA	White	10-2112.1069	24VAC/DC, 7/14mA
		Red	10-2109.1062	12VAC/DC, 7/14mA	Red	10-2113.1062	28VAC/DC, 7/14mA
		Yellow	10-2109.1064	12VAC/DC, 7/14mA	Yellow	10-2113.1064	28VAC/DC, 7/14mA
		Green	10-2109.1065	12VAC/DC, 4/7mA	Green	10-2113.1065	28VAC/DC, 4/7mA
		Blue	10-2109.1066	12VAC/DC, 7/14mA	Blue	10-2113.1066	28VAC/DC, 7/14mA
		White	10-2109.1069	12VAC/DC, 7/14mA	White	10-2113.1069	28VAC/DC, 7/14mA



Choose one component from each of the colored sections to assemble a complete switch. For other options or further information please contact EAO Switch directly.

LED



LED, T-5.5, single chip, 48 Volt

Color	Part No.	Voltage
Red	10-2119.1042	48VAC/DC, 4/8mA
Yellow	10-2119.1044	48VAC/DC, 4/8mA
Green	10-2119.1045	48VAC/DC, 2/4mA
Blue	10-2119.1046	48VAC/DC, 4/8mA
White	10-2119.1049	48VAC/DC, 4/8mA

A Accessories



Lens, plastic for raised, round indicator body, full face

Color	Part No.
Red	704.603.2
Yellow	704.603.4
Green	704.603.5
Blue	704.603.6
Clear	704.603.7

For complete lens also order diffuser 704.608.9



Lens cap, round, transparent, plastic for raised and flush indicators with bezel and pushbutton actuators

Color	Part No.
Red	704.602.2
Yellow	704.602.4
Green	704.602.5
Blue	704.602.6
Clear	704.602.7
Black	704.602.0

For complete lens also order diffuser 704.609.9

A Accessories



Aluminum raised bezel, grey plastic raised bezel and flush mount aluminum bezel

Image	Part No.	Product description
1	704.600.1	Aluminum raised bezel
2	704.600.6	Grey plastic bezel
3	704.955.1	Flush mount aluminum bezel
4	704.955.0	Flush mount bezel black



Protective cover, raised pushbutton

Part No.
704.925.0



Protective front ring with silicon membrane for raised or flush mount pushbutton, natural anodized aluminum

Part No.	Size
704.600.3	29mm diameter for raised pushbutton
704.955.3	35mm diameter for flush mount pushbutton

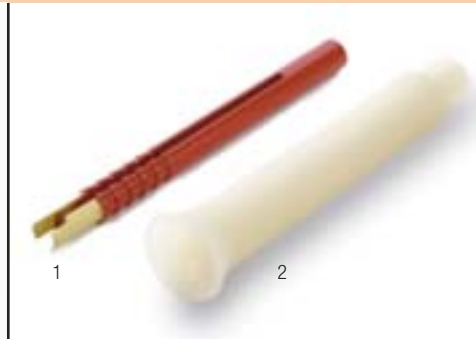
Choose one component from each of the colored sections to assemble a complete switch.
For other options or further information please contact EAO Switch directly.



A Accessories



Blanking plate



LED and lens/lamp remover



Marking plate for full face indicator and marking plate

Part No.	Mounting hole	Image	Part No.	Product description	Image	Part No.	Product description
704.960.7	22.5mm Ø	1	51-996	LED remover	1	704.608.9	Diffuser full face (white)
704.964.8	30.5mm Ø	2	700.006.0	Lens and lamp remover	2	704.609.9	Diffuser (white)

A Accessories



Legend plate, adhesive, natural anodized aluminum finish for raised and flush mount pushbuttons



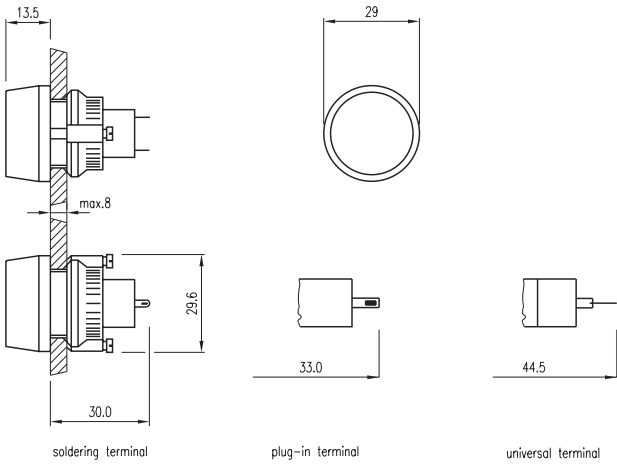
Label for front bezel set for 22.5 and 30.5mm flush mount with label support, self adhesive

Image	Part No.	Mounting hole	Image	Part No.
1	704.968.2	22.5mm Ø	1	704.968.0
2	704.968.3	30.5mm Ø	2	704.968.1



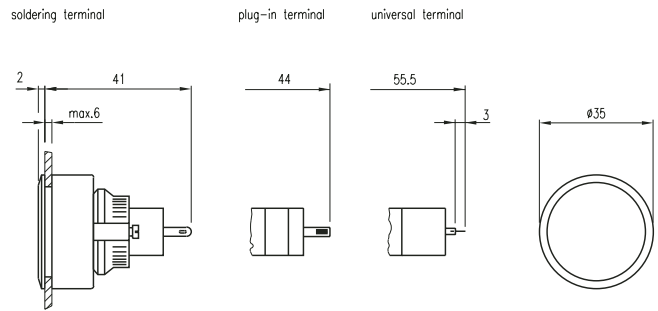
14 Indicator

Raised



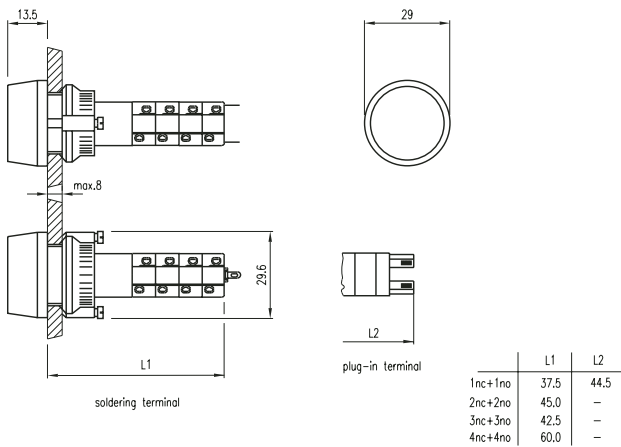
14 Indicator

Flush



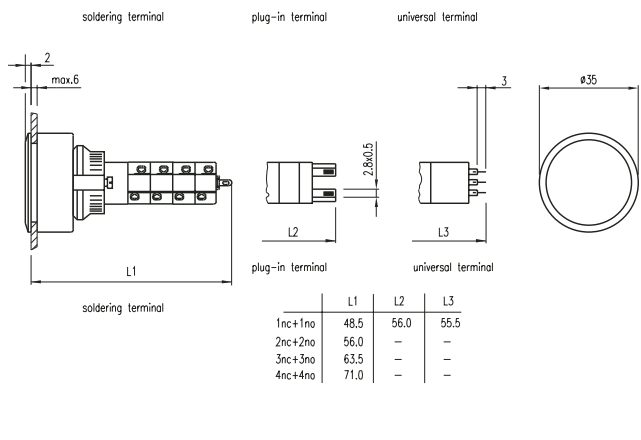
14 Pushbutton

Illuminated, Raised Solder



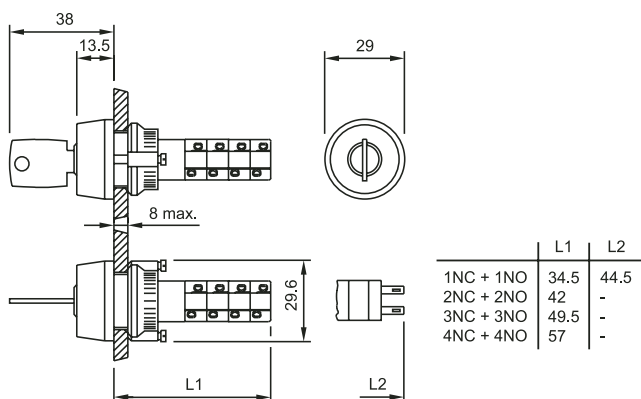
14 Pushbutton

Illuminated, Flush Solder, QC Terminals



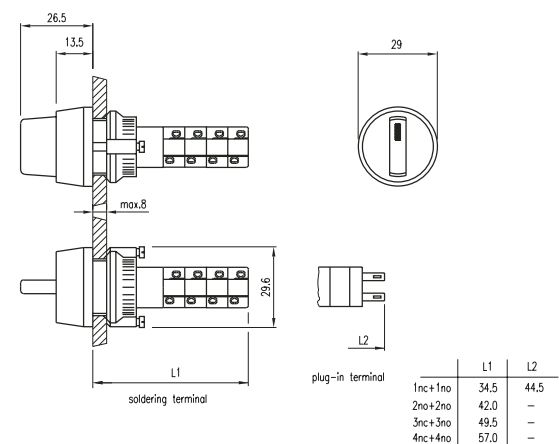
14 Keylock

2-Position



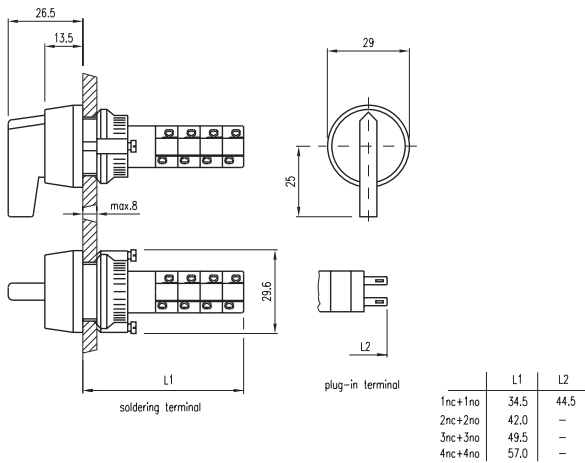
14 Selector, Short Lever

2-Position



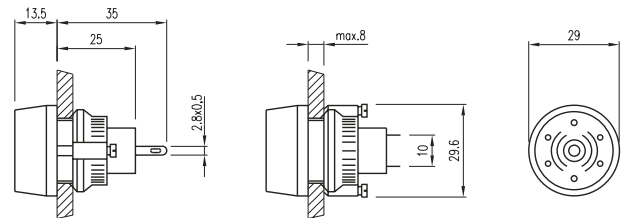
14 Selector, Long Lever

2-Position



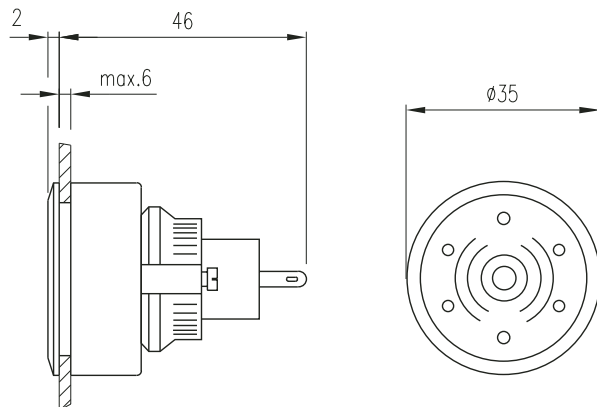
14 Buzzer

Raised



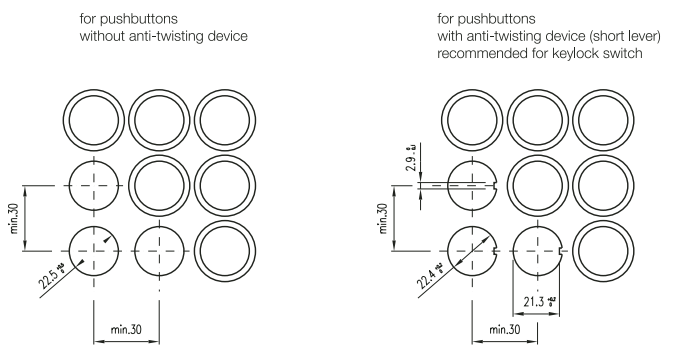
14 Buzzer

Flush



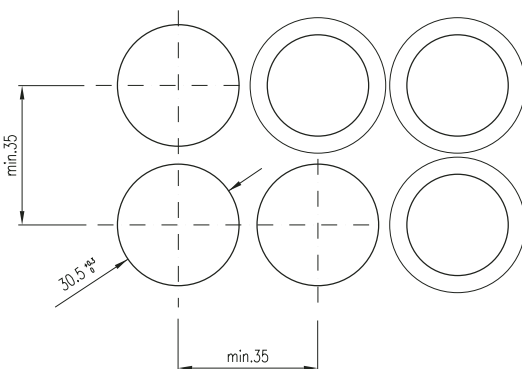
14 Cut-outs

Raised, Pushbuttons, Indicators, Keylocks, Short Lever



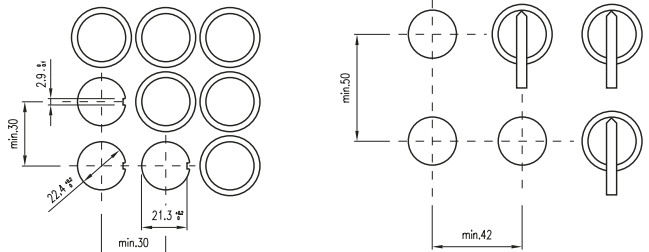
14 Cut-outs

Flush, Buzzer, Pushbutton, Indicator



14 Cut-outs

2-Position, Long, Lever Raised



Компания «Океан Электроники» предлагает заключение долгосрочных отношений при поставках импортных электронных компонентов на взаимовыгодных условиях!

Наши преимущества:

- Поставка оригинальных импортных электронных компонентов напрямую с производств Америки, Европы и Азии, а так же с крупнейших складов мира;
- Широкая линейка поставок активных и пассивных импортных электронных компонентов (более 30 млн. наименований);
- Поставка сложных, дефицитных, либо снятых с производства позиций;
- Оперативные сроки поставки под заказ (от 5 рабочих дней);
- Экспресс доставка в любую точку России;
- Помощь Конструкторского Отдела и консультации квалифицированных инженеров;
- Техническая поддержка проекта, помощь в подборе аналогов, поставка прототипов;
- Поставка электронных компонентов под контролем ВП;
- Система менеджмента качества сертифицирована по Международному стандарту ISO 9001;
- При необходимости вся продукция военного и аэрокосмического назначения проходит испытания и сертификацию в лаборатории (по согласованию с заказчиком);
- Поставка специализированных компонентов военного и аэрокосмического уровня качества (Xilinx, Altera, Analog Devices, Intersil, Interpoint, Microsemi, Actel, Aeroflex, Peregrine, VPT, Syfer, Eurofarad, Texas Instruments, MS Kennedy, Miteq, Cobham, E2V, MA-COM, Hittite, Mini-Circuits, General Dynamics и др.);

Компания «Океан Электроники» является официальным дистрибьютором и эксклюзивным представителем в России одного из крупнейших производителей разъемов военного и аэрокосмического назначения «**JONHON**», а так же официальным дистрибьютором и эксклюзивным представителем в России производителя высокотехнологичных и надежных решений для передачи СВЧ сигналов «**FORSTAR**».



JONHON

«**JONHON**» (основан в 1970 г.)

Разъемы специального, военного и аэрокосмического назначения:

(Применяются в военной, авиационной, аэрокосмической, морской, железнодорожной, горно- и нефтедобывающей отраслях промышленности)

«**FORSTAR**» (основан в 1998 г.)

ВЧ соединители, коаксиальные кабели, кабельные сборки и микроволновые компоненты:

(Применяются в телекоммуникациях гражданского и специального назначения, в средствах связи, РЛС, а так же военной, авиационной и аэрокосмической отраслях промышленности).



Телефон: 8 (812) 309-75-97 (многоканальный)

Факс: 8 (812) 320-03-32

Электронная почта: ocean@oceanchips.ru

Web: <http://oceanchips.ru/>

Адрес: 198099, г. Санкт-Петербург, ул. Калинина, д. 2, корп. 4, лит. А