

# DPA423-426

## DPA-Switch<sup>®</sup> Family

Highly Integrated DC-DC Converter ICs for Power over Ethernet & Telecom DC-DC



### Product Highlights

#### Highly Integrated Solution

- Eliminates 20-50 external components—saves space, cost
- Integrates 220 V high frequency MOSFET, PWM control
- Lower cost plastic DIP surface mount (G package) and through-hole (P package) options for designs  $\leq 35$  W
- Thermally efficient MO-169-7C (S-PAK) and TO-263-7C (R package) options for high power applications

#### Superior Performance and Flexibility

- Eliminates all external current sensing circuitry
- Built-in auto-restart for output overload/open loop protection
- Pin selectable 300/400 kHz fixed frequency
- Wide input (line) voltage range: 16-75 VDC
- Externally programmable current limit
- Source connected tab reduces EMI
- Line under-voltage (UV) detection: meets ETSI standards
- Line overvoltage (OV) shutdown protection
- UV/OV limits gate drive voltage for synchronous rectification
- Fully integrated soft-start for minimum stress/overshoot
- Supports forward or flyback topology
- Cycle skipping: regulation to zero load without pre-load
- Hysteretic thermal shutdown for automatic fault recovery
- RoHS compliant P, G and S package options

#### EcoSmart<sup>®</sup> – Energy Efficient

- Extremely low consumption at no load
- Cycle skipping at light load for high standby efficiency

#### Applications

- PoE applications, VoIP phones, WLAN, security cameras
- Telco central office equipment: xDSL, ISDN, PABX
- Distributed power architectures (24 V/48 V bus)
- Industrial controls

### Description

The DPA-Switch IC family is a highly integrated solution for DC-DC conversion applications for 16-75 VDC input.

DPA-Switch uses the same proven topology as TOPSwitch<sup>®</sup>, cost effectively integrating a power MOSFET, PWM control, fault protection and other control circuitry onto a single CMOS chip. High performance features are enabled with three user configurable pins. Hysteretic thermal shutdown is also provided. In addition, all critical

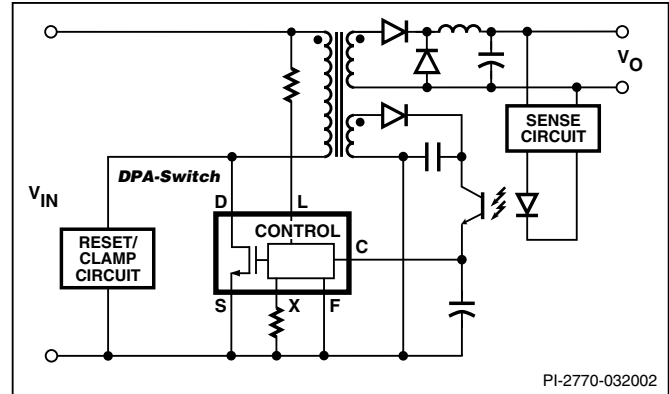


Figure 1. Typical Forward Converter Application.

| OUTPUT POWER TABLE                           |                |                |                |        |      |                               |
|--|----------------|----------------|----------------|--------|------|-------------------------------|
| 36-75 VDC INPUT RANGE (FORWARD) <sup>2</sup> |                |                |                |        |      |                               |
| Total Device Dissipation <sup>3</sup>        | 0.5 W          | 1 W            | 2.5 W          | 4 W    | 6 W  | Max Power Output <sup>1</sup> |
| PRODUCT <sup>4</sup>                         |                |                |                |        |      |                               |
| DPA423                                       | 12 W           | 16 W           | -              | -      | -    | 18 W                          |
| DPA424                                       | 16 W           | 23 W           | 35 W           | -      | -    | 35 W                          |
| DPA425                                       | 23 W           | 32 W           | 50 W           | 62 W   |      | 70 W                          |
| DPA426 <sup>5</sup>                          | 25 W           | 35 W           | 55 W           | 70 W   | 83 W | 100 W                         |
| 36-75 VDC INPUT RANGE (FLYBACK) <sup>2</sup> |                |                |                |        |      |                               |
| Total Device Dissipation <sup>3</sup>        | 0.5 W          | 0.75 W         | 1 W            | 1.5 W  |      | Max Power Output <sup>1</sup> |
| PRODUCT <sup>4</sup>                         |                |                |                |        |      |                               |
| DPA423                                       | 9 W            | 13 W           | -              | -      |      | 13 W                          |
| DPA424                                       | 10 W           | 14.5 W         | 18 W           | 24 W   |      | 26 W                          |
| DPA425                                       | - <sup>6</sup> | - <sup>6</sup> | - <sup>6</sup> | 25.5 W |      | 52 W                          |

Table 1. Notes: 1. Maximum output power is limited by device internal current limit. 2. See Applications Considerations section for complete description of assumptions and for output powers with other input voltage ranges. 3. For device dissipation of 1.5 W or below, use P or G packages. Device dissipation above 1.5 W is possible with S and R packages. 4. Packages: P: DIP-8, G: SMD-8, R: TO-263-7C, S: MO-169-7C. For lead-free package options, see Part Ordering Information. 5. Available in S and R package only. 6. Due to higher switching losses, the DPA425 may not deliver additional power compared to a smaller device.

parameters (i.e. current limit, frequency, PWM gain) have tight temperature and absolute tolerance, to simplify design and reduce system cost.

## Section List

|   |    |
|---|----|
| <b>Functional Block Diagram</b> .....   | 3  |
| <b>Pin Functional Description</b> .....   | 3  |
| <b>DPA-Switch Family Functional Description</b> .....                           | 4  |
| CONTROL (C) Pin Operation .....   | 4  |
| Oscillator and Switching Frequency .....  | 5  |
| Pulse Width Modulator & Maximum Duty Cycle .....                                | 6  |
| Minimum Duty Cycle and Cycle Skipping .....                                     | 6  |
| Error Amplifier .....   | 6  |
| On-chip Current Limit with External Programmability .....                       | 6  |
| Line Under-Voltage Detection (UV) .....   | 6  |
| Line Overvoltage Shutdown (OV) .....  | 7  |
| Line Feed-Forward with DC <sub>MAX</sub> Reduction .....                        | 7  |
| Remote ON/OFF .....   | 7  |
| Synchronization .....   | 8  |
| Soft-Start .....  | 8  |
| Shutdown/Auto-Restart .....   | 8  |
| Hysteretic Over-Temperature Protection .....                                    | 8  |
| Bandgap Reference .....   | 8  |
| High-Voltage Bias Current Source .....  | 8  |
| <b>Using Feature Pins</b> .....   | 9  |
| FREQUENCY (F) Pin Operation .....   | 9  |
| LINE-SENSE (L) Pin Operation .....  | 9  |
| EXTERNAL CURRENT LIMIT (X) Pin Operation .....                                  | 9  |
| <b>Typical Uses of FREQUENCY (F) Pin</b> .....                                  | 12 |
| <b>Typical Uses of LINE-SENSE (L) and EXTERNAL CURRENT LIMIT (X) Pins</b> ..... | 12 |
| <b>Application Examples</b> .....   | 15 |
| <b>Key Application Considerations</b> .....                                     | 18 |
| DPA-Switch Design Considerations .....  | 18 |
| DPA-Switch Layout Considerations .....  | 19 |
| Quick Design Checklist .....  | 20 |
| Design Tools .....  | 20 |
| <b>Product Specifications and Test Conditions</b> .....                         | 22 |
| <b>Typical Performance Characteristics</b> .....                                | 28 |
| <b>Part Ordering Information</b> .....  | 31 |
| <b>Package Outlines</b> .....   | 32 |





Figure 2. Functional Block Diagram.

## Pin Functional Description

### DRAIN (D) Pin:

High voltage power MOSFET drain output. The internal startup bias current is drawn from this pin through a switched high-voltage current source. Internal current limit sense point for drain current.

### CONTROL (C) Pin:

Error amplifier and feedback current input pin for duty cycle control. Internal shunt regulator connection to provide internal bias current during normal operation. It is also used as the connection point for the supply bypass and auto-restart/compensation capacitor.

### LINE-SENSE (L) Pin:

Input pin for overvoltage (OV), under-voltage (UV) lock out, line feed-forward with the maximum duty cycle ( $DC_{MAX}$ ) reduction, remote ON/OFF and synchronization. A connection to SOURCE pin disables all functions on this pin.

### EXTERNAL CURRENT LIMIT (X) Pin:

Input pin for external current limit adjustment and remote ON/OFF. A connection to SOURCE pin disables all functions on this pin.

### FREQUENCY (F) Pin:

Input pin for selecting switching frequency: 400 kHz if

connected to SOURCE pin and 300 kHz if connected to CONTROL pin.

### SOURCE (S) Pin:

Output MOSFET source connection for the power return. Primary side control circuit common and reference point.

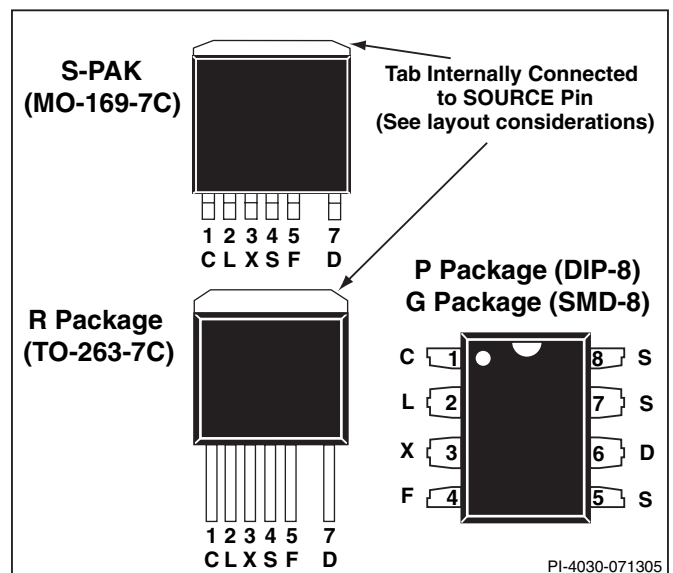


Figure 3. Pin Configuration (top view).



## DPA-Switch Family Functional Description

*DPA-Switch* is an integrated switched mode power supply chip that converts a current at the control input to a duty cycle at the open drain output of a high voltage power MOSFET. During normal operation the duty cycle of the power MOSFET decreases linearly with increasing CONTROL pin current as shown in Figure 4. A patented high-voltage CMOS technology allows both the high-voltage power MOSFET and all the low voltage control circuitry to be cost effectively integrated onto a single monolithic chip.

In addition to the standard *TOPSwitch* features, such as the high-voltage start-up, the cycle-by-cycle current limiting, loop compensation circuitry, auto-restart and thermal shutdown, *DPA-Switch* also offers many advanced features that reduce system cost and increase power supply performance and design flexibility. Following is a summary of the advanced features:

1. A fully integrated 5 ms soft-start limits peak currents and voltages during start-up and reduces or eliminates output overshoot in most applications.
2. A 75% maximum duty cycle ( $DC_{MAX}$ ) together with the line feed-forward with  $DC_{MAX}$  reduction feature makes *DPA-Switch* well suited for both flyback and forward topologies.
3. High switching frequency (400 kHz/300 kHz, pin selectable) allows the use of smaller size transformers and offers high bandwidth for power supply control loop.
4. Cycle skipping operation at light load minimizes standby power consumption (typically <10 mA input current).
5. Line under-voltage ensures glitch free operations at both power-up and power-down and is tightly toleranced over process and temperature to meet system level requirements common in DC to DC converters (e.g. ETSI).
6. Line overvoltage protects *DPA-Switch* against excessive input voltage and line surge.
7. External current limit adjustment allows the setting of the current limit externally to a lower level near the operating peak current and, if desired, further adjusts the level gradually as line voltage rises. This makes possible an ideal implementation of overload power limiting.
8. Synchronization function allows the synchronization of *DPA-Switch* operation to an external lower frequency.
9. Remote ON/OFF feature permits *DPA-Switch* based power supplies to be easily switched on/off using logic signals. Maximum input current consumption is 2 mA in remote OFF.
10. Hysteretic over-temperature shutdown provides automatic recovery from thermal fault.
11. Tight absolute tolerances and small temperature variations on switching frequency, current limit, and under-voltage lock out threshold (UV).

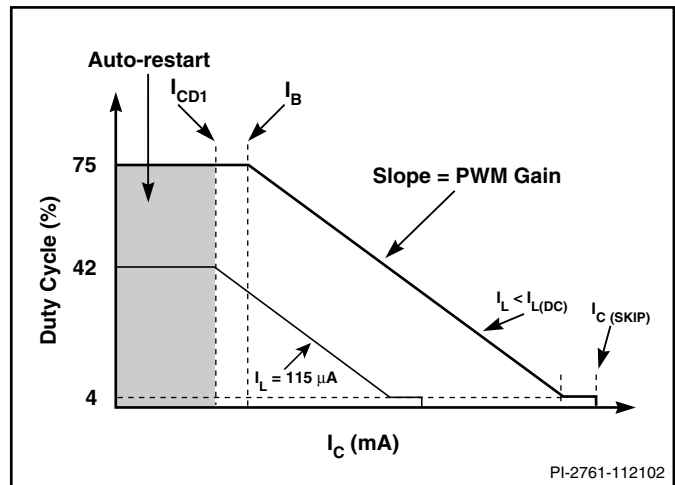


Figure 4. Relationship of Duty Cycle to CONTROL Pin Current.

Three pins, LINE-SENSE (L), EXTERNAL CURRENT LIMIT (X) and FREQUENCY (F), are used to implement all the pin controllable features. A resistor from the LINE-SENSE pin to DC input bus implements line UV, line OV and line feed-forward with  $DC_{MAX}$  reduction. A resistor from the EXTERNAL CURRENT LIMIT pin to the SOURCE pin sets current limit externally. In addition, remote ON/OFF may be implemented through either the LINE-SENSE pin or the EXTERNAL CURRENT LIMIT pin depending on the polarity of the logic signal available as well as other system specific considerations. Shorting both the LINE-SENSE and the EXTERNAL CURRENT LIMIT pins to the SOURCE pin disables line OV, line UV, line feed-forward with  $DC_{MAX}$  reduction, external current limit, remote ON/OFF and synchronization. The FREQUENCY pin sets the switching frequency to 400 kHz if connected to the SOURCE pin, or 300 kHz if connected to the CONTROL pin. This pin should not be left open. Please refer to “Using Feature Pins” section for detailed information regarding the proper use of those pins.

### CONTROL (C) Pin Operation

The CONTROL pin is a low impedance node that is capable of receiving a combined supply and feedback current. During normal operation, a shunt regulator is used to separate the feedback signal from the supply current. CONTROL pin voltage  $V_C$  is the supply voltage for the control circuitry including the MOSFET gate driver. An external bypass capacitor closely connected between the CONTROL and SOURCE pins is required to supply the instantaneous gate drive current. The total amount of capacitance connected to this pin also sets the auto-restart timing as well as control loop compensation.

When the DC input voltage is applied to the DRAIN pin during start-up, the MOSFET is initially off, and the CONTROL pin capacitor is charged through the switched high voltage current source connected internally between the DRAIN and CONTROL pins. When the CONTROL pin voltage  $V_C$  reaches



approximately 5.8 V, the control circuitry is activated and the soft-start begins. The soft-start circuit gradually increases the duty cycle of the MOSFET from zero to the maximum value over approximately 5 ms. The high voltage current source is turned off at the end of the soft-start. If no external feedback/supply current is fed into the CONTROL pin by the end of the soft-start, the CONTROL pin will start discharging in response to the supply current drawn by the control circuitry and the gate current of the switching MOSFET driver. If the power supply is designed properly, and no fault condition such as open loop or overloaded output exists, the feedback loop will close, providing external CONTROL pin current, before the CONTROL pin voltage has had a chance to discharge to the lower threshold voltage of approximately 4.8 V (internal supply under-voltage lockout threshold). When the externally fed current charges the CONTROL pin to the shunt regulator voltage of 5.8 V, current in excess of the consumption of the chip is shunted to SOURCE through resistor  $R_E$  as shown in Figure 2. This current flowing through  $R_E$  controls the duty cycle of the power MOSFET to provide closed loop regulation. The shunt regulator has a finite low output impedance  $Z_C$  that sets the gain of the error amplifier when used in a primary feedback configuration. The dynamic impedance  $Z_C$  of the CONTROL pin together with the external CONTROL pin capacitance sets the dominant pole for the control loop.

When a fault condition such as an open loop or overloaded output prevents the flow of an external current into the CONTROL pin, the capacitor on the CONTROL pin discharges towards 4.8 V. At 4.8 V auto-restart is activated which turns the output MOSFET off and puts the control circuitry in a low current

standby mode. The high-voltage current source turns on and charges the external capacitance again. A hysteretic internal supply under-voltage comparator keeps  $V_C$  within a window of typically 4.8 V to 5.8 V by turning the high-voltage current source on and off as shown in Figure 5. The auto-restart circuit has a divide-by-8 counter that prevents the output MOSFET from turning on again until eight discharge/charge cycles have elapsed. This is accomplished by enabling the output MOSFET only when the divide-by-8 counter reaches full count (S7). The counter effectively limits *DPA-Switch* power dissipation as well as the maximum power delivered to the power supply output by reducing the auto-restart duty cycle to typically 4%. Auto-restart mode continues until output voltage regulation is again achieved through closure of the feedback loop.

### Oscillator and Switching Frequency

The internal oscillator linearly charges and discharges an internal capacitance between two voltage levels to create a sawtooth waveform for the pulse width modulator. The oscillator sets both the pulse width modulator latch and the current limit latch at the beginning of each cycle.

The nominal switching frequency of 400 kHz was chosen to minimize the transformer size and to allow faster power supply loop response. The FREQUENCY pin, when shorted to the CONTROL pin, lowers the switching frequency to 300 kHz, which may be preferable in some applications such as those employing secondary synchronous rectification. Otherwise, the FREQUENCY pin should be connected to the SOURCE pin for the default 400 kHz.



Figure 5. Typical Waveforms for (1) Power Up (2) Normal Operation (3) Auto-restart (4) Power Down.



### Pulse Width Modulator and Maximum Duty Cycle

The pulse width modulator implements voltage mode control by driving the output MOSFET with a duty cycle inversely proportional to the current into the CONTROL pin that is in excess of the internal supply current of the chip (see Figure 4). The excess current is the feedback error signal that appears across  $R_E$  (see Figure 2). This signal is filtered by an RC network with a typical corner frequency of 30 kHz to reduce the effect of switching noise in the chip supply current generated by the MOSFET gate driver. The filtered error signal is compared with the internal oscillator sawtooth waveform to generate the duty cycle waveform. As the control current increases, the duty cycle decreases. A clock signal from the oscillator sets a latch that turns on the output MOSFET. The pulse width modulator resets the latch, turning off the output MOSFET. Note that a minimum current must be driven into the CONTROL pin before the duty cycle begins to change.

The maximum duty cycle,  $DC_{MAX}$  is set at a default maximum value of 75% (typical). However, by connecting the LINE-SENSE to the DC input bus through a resistor with appropriate value, the maximum duty cycle can be made to decrease from 75% to 33% (typical) as shown in Figure 7 when input line voltage increases (see Line Feed-Forward with  $DC_{MAX}$  Reduction).

### Minimum Duty Cycle and Cycle Skipping

To maintain power supply output regulation, the pulse width modulator reduces duty cycle as the load at the power supply output decreases. This reduction in duty cycle is proportional to the current flowing into the CONTROL pin. As the CONTROL pin current increases, the duty cycle reduces linearly towards a minimum value specified as minimum duty cycle,  $DC_{MIN}$ . After reaching  $DC_{MIN}$ , if CONTROL pin current is increased further by approximately 2 mA, the pulse width modulator will force the duty cycle from  $DC_{MIN}$  to zero in a discrete step (refer to Figure 4). This feature allows a power supply to operate in a cycle skipping mode when the load consumes less power than the *DPA-Switch* delivers at minimum duty cycle,  $DC_{MIN}$ . No additional control is needed for the transition between normal operation and cycle skipping. As the load increases or decreases, the power supply automatically switches between normal and cycle skipping mode as necessary.

Cycle skipping may be avoided, if so desired, by connecting a minimum load at the power supply output such that the duty cycle remains at a level higher than  $DC_{MIN}$  at all times.

### Error Amplifier

The shunt regulator can also perform the function of an error amplifier in primary side feedback applications. The shunt regulator voltage is accurately derived from a temperature-compensated bandgap reference. The gain of the error amplifier is set by the CONTROL pin dynamic impedance. The CONTROL pin clamps external circuit signals to the  $V_C$  voltage level.

The CONTROL pin current in excess of the supply current is separated by the shunt regulator and flows through  $R_E$  as a voltage error signal.

### On-chip Current Limit with External Programmability

The cycle-by-cycle peak drain current limit circuit uses the output MOSFET ON-resistance as a sense resistor. A current limit comparator compares the output MOSFET on-state drain to source voltage,  $V_{DS(ON)}$  with a threshold voltage. At the current limit,  $V_{DS(ON)}$  exceeds the threshold voltage and the MOSFET is turned off until the start of the next clock cycle. The current limit comparator threshold voltage is temperature compensated to minimize the variation of the current limit due to temperature related changes in  $R_{DS(ON)}$  of the output MOSFET. The default current limit of *DPA-Switch* is preset internally. However, with a resistor connected between EXTERNAL CURRENT LIMIT pin and SOURCE pin, the current limit can be programmed externally to a lower level between 25% and 100% of the default current limit. Please refer to the graphs in the Typical Performance Characteristics section for the selection of the resistor value. By setting current limit low, a larger *DPA-Switch* than necessary for the power required can be used to take advantage of the lower  $R_{DS(ON)}$  for higher efficiency/smaller heat sinking requirements. With a second resistor connected between the EXTERNAL CURRENT LIMIT pin and the DC input bus, the current limit is reduced with increasing line voltage, allowing a true power limiting operation against line variation to be implemented in a flyback configuration.

The leading edge blanking circuit inhibits the current limit comparator for a short time after the output MOSFET is turned on. The leading edge blanking time has been set so that, if a power supply is designed properly, current spikes caused by primary-side capacitance and secondary-side rectifier reverse recovery time should not cause premature termination of the switching pulse.

The current limit after the leading edge blanking time is as shown in Figure 31. To avoid triggering the current limit in normal operation, the drain current waveform should stay within the envelope shown.

### Line Under-Voltage Detection (UV)

At power up, UV keeps *DPA-Switch* off until the input line voltage reaches the under voltage upper threshold. At power down, UV holds *DPA-Switch* on until the input voltage falls below the under voltage lower threshold. A single resistor connected from the LINE-SENSE pin to the DC input bus sets UV upper and lower thresholds. To avoid false triggering by noise, a hysteresis is implemented which sets the UV lower threshold typically at 94% of the UV upper threshold. If the UV lower threshold is reached during operation without the power supply losing regulation and the condition stays longer than 10  $\mu$ s (typical), the device will turn off and stay off until the



UV upper threshold has been reached again. Then, a soft-start will be initiated the next time CONTROL pin voltage reaches 5.8.V. If the power supply loses regulation before reaching the UV lower threshold, the device will enter auto-restart. At the end of each auto-restart cycle (S7), the UV comparator is enabled. If the UV upper threshold is not exceeded, the MOSFET will be disabled during the next cycle (see Figure 5). The UV feature can be disabled independent of OV feature.

### Line Overvoltage Shutdown (OV)

The same resistor used for UV also sets an overvoltage threshold which, once exceeded, will force the *DPA-Switch* output into the off-state within one switching cycle. The ratio of OV and UV thresholds is preset at 2.7 as can be seen in Figure 7. When the MOSFET is off, the input voltage surge capability is increased to the voltage rating of the MOSFET (220 V), due to the absence of the reflected voltage and leakage spikes on the drain. A small amount of hysteresis is provided on the OV threshold to prevent noise triggering. The OV feature can be disabled independent of the UV feature as shown in Figure 13.

### Line Feed-Forward with $DC_{MAX}$ Reduction

The same resistor used for UV and OV also implements line voltage feed-forward that minimizes output line ripple and reduces power supply output sensitivity to line transients. This feed-forward operation is illustrated in Figure 4 by the different values of  $I_L$ . Note that for the same CONTROL pin current, higher line voltage results in smaller operating duty cycle. As an added feature, the maximum duty cycle  $DC_{MAX}$  is also reduced from 75% (typical) at a voltage slightly higher than the UV threshold to 33% (typical) at the OV threshold (see Figures 4, 7). Limiting  $DC_{MAX}$  at higher line voltages helps prevent transformer saturation due to large load transients in forward converter applications.  $DC_{MAX}$  of 33% at the OV

threshold was chosen to ensure that the power capability of the *DPA-Switch* is not restricted by this feature under normal operation.

### Remote ON/OFF

Remote ON/OFF control describes operation where the IC is turned on or off for long periods as opposed to the cycle-by-cycle on/off control, which is described in the Synchronization section below.

*DPA-Switch* can be turned on or off by controlling the current into the LINE-SENSE pin or out from the EXTERNAL CURRENT LIMIT pin (see Figure 7). This allows easy implementation of remote ON/OFF control of *DPA-Switch* in several different ways. A transistor or an optocoupler output connected between the EXTERNAL CURRENT LIMIT pin and the SOURCE pin implements this function with “active-on” (Figures 17, 19 and 21) while a transistor or an optocoupler output connected between the LINE-SENSE pin and the CONTROL pin implements the function with “active-off” (Figures 18, 20 and 22).

When a signal is received at the LINE-SENSE pin or the EXTERNAL CURRENT LIMIT pin to disable the output through any of the pin functions such as OV, UV and remote ON/OFF, *DPA-Switch* always completes its current switching cycle before the output is forced off. The internal oscillator is stopped at the end of the current cycle and stays there as long as the disable signal exists. When the signal at the above pins changes state from disable to enable, the internal oscillator starts the next switching cycle.

The remote ON/OFF feature can be used as a standby or power switch to turn off the *DPA-Switch* and keep it in a very low power consumption state for indefinitely long periods. If the *DPA-Switch* is held in remote-off state for longer than 10  $\mu$ s

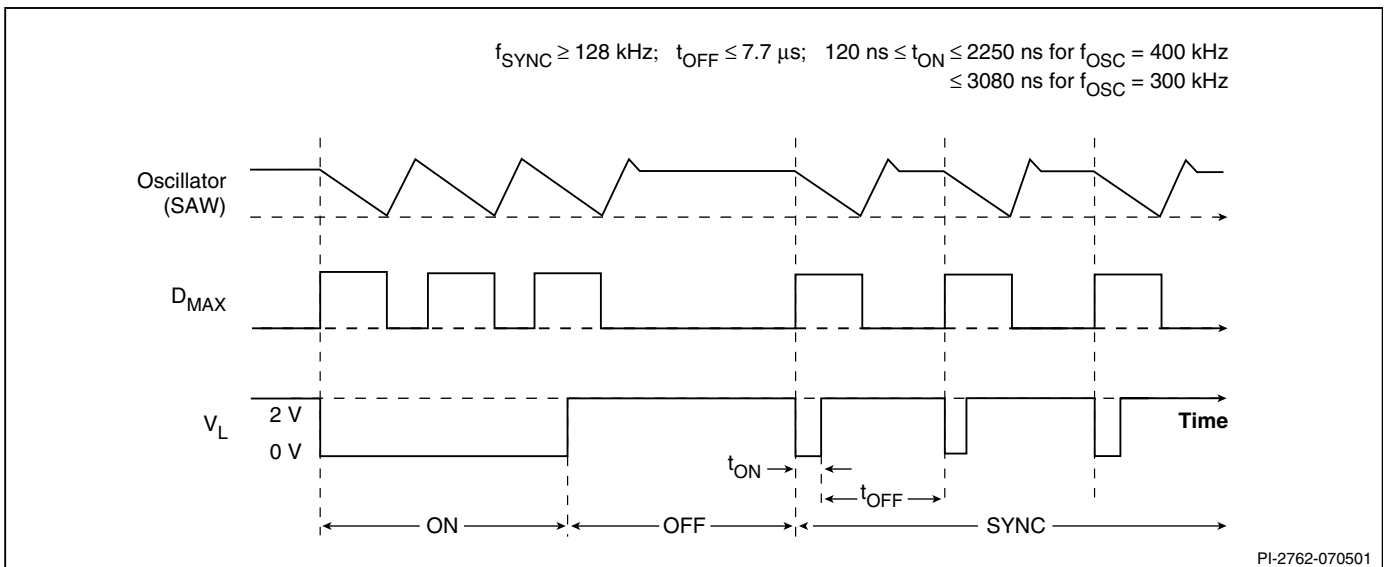


Figure 6. Synchronization Timing Diagram.

(typical), the CONTROL pin goes into the hysteretic mode of operation. In this mode, the CONTROL pin goes through alternate charge and discharge cycles between 4.8 V and 5.8 V (see CONTROL Pin Operation section above) and the IC runs entirely off the high voltage DC input, but with very low power consumption (30 mW typical at 48 V with LINE-SENSE and EXTERNAL CURRENT LIMIT pins open). When the *DPA-Switch* is remotely turned on after entering this mode, it will initiate a normal start-up sequence with soft-start the next time the CONTROL pin reaches 5.8 V. In the worst case, the delay from remote on to start-up can be equal to the full discharge/charge cycle time of the CONTROL pin, which is approximately 36 ms for a 22  $\mu$ F CONTROL pin capacitor. This reduced-consumption remote-off mode can eliminate expensive and unreliable in-line mechanical switches. It also allows for microprocessor-controlled turn-on and turn-off sequences that may be required in certain applications.

### Synchronization

In addition to sensing incoming current for OV, UV and remote ON/OFF, the LINE-SENSE pin also monitors its pin voltage through a 1 V threshold comparator. A pin voltage below 1 V turns on *DPA-Switch*. When the voltage at LINE-SENSE pin rises beyond 1 V to disable the output, *DPA-Switch* completes its current switching cycle before the output is forced off (similar to remote ON/OFF operation). The internal oscillator is stopped at the end of the current cycle awaiting the LINE-SENSE pin voltage to go low to start the next cycle. This allows the use of the 1 V threshold to synchronize *DPA-Switch* to an external signal with a frequency lower than its internal switching frequency. A transistor or an optocoupler output connected between the LINE-SENSE pin and the SOURCE pin implements this function (see Figure 24). Please refer to Figure 6 for the timing waveforms of synchronization operation.

In order to be recognized as a synchronization pulse, the LINE-SENSE pin needs to stay low (on-time) for at least 120 ns but no more than 2250 ns for 400 kHz (or 3080 ns for 300 kHz) internal switching frequency. In addition, the off-time must be kept below 7.7  $\mu$ s, which is a limitation set by the lowest synchronization frequency of 128 kHz allowed by the chip. The effective  $DC_{MAX}$  for synchronization operation can be calculated as  $0.75 \cdot f_{SYNC} / f_{OSC}$ . An off-time longer than 7.7  $\mu$ s may force the CONTROL pin to go into the hysteretic mode and initiate a soft-start cycle at next turn-on.

### Soft-Start

Two on-chip soft-start functions are activated at start-up with a duration of 5 ms (typical). Maximum duty cycle starts from 0% and linearly increases to the default maximum of 75% at the end of the 5 ms duration and the current limit starts from about 85% and linearly increases to 100% at the end of the 5 ms duration. In addition to start-up, soft-start is also activated

at each restart attempt during auto-restart and when restarting after being in hysteretic regulation of CONTROL pin voltage ( $V_C$ ), due to remote off or thermal shutdown conditions. This effectively minimizes current and voltage stresses on the output MOSFET, the clamp circuit and the output rectifier during start-up. This feature also helps minimize output overshoot and prevents saturation of the transformer during start-up.

### Shutdown/Auto-Restart

To minimize *DPA-Switch* power dissipation under fault conditions, the shutdown/auto-restart circuit turns the power supply on and off at an auto-restart duty cycle of typically 4% if an out of regulation condition persists. Loss of regulation interrupts the external current into the CONTROL pin.  $V_C$  regulation changes from shunt mode to the hysteretic auto-restart mode as described in CONTROL pin operation section. When the fault condition is removed, the power supply output becomes regulated,  $V_C$  regulation returns to shunt mode, and normal operation of the power supply resumes.

### Hysteretic Over-Temperature Protection

Over temperature protection is provided by a precision analog circuit that turns the output MOSFET off when the junction temperature exceeds the thermal shutdown temperature (137  $^{\circ}$ C typical). When the junction temperature cools to below the hysteretic temperature (110  $^{\circ}$ C typical), normal operation resumes providing automatic recovery.  $V_C$  is regulated in hysteretic mode and a 4.8 V to 5.8 V (typical) sawtooth waveform is present on the CONTROL pin while in thermal shutdown.

### Bandgap Reference

All critical *DPA-Switch* internal voltages are derived from a temperature-compensated bandgap reference. This reference is also used to generate a temperature-compensated current reference that is trimmed to accurately set the switching frequency, current limit, and the line OV/UV thresholds. *DPA-Switch* has improved circuitry to maintain all of the above critical parameters within very tight absolute and temperature tolerances.

### High-Voltage Bias Current Source

This current source biases *DPA-Switch* from the DRAIN pin and charges the CONTROL pin external capacitance during start-up or hysteretic operation. Hysteretic operation occurs during auto-restart, remote off and over-temperature shutdown. In this mode of operation, the current source is switched on and off with an effective duty cycle of approximately 20%. This duty cycle is determined by the ratio of CONTROL pin charge ( $I_{C(CH)}$ ) and discharge currents ( $I_{CD1}$  and  $I_{CD2}$ ). This current source is turned off during normal operation when the output MOSFET is switching. The effect of the current source switching may be seen on the DRAIN voltage waveform as small disturbances, which is normal.





## Using Feature Pins

### FREQUENCY (F) Pin Operation

The FREQUENCY pin is a digital input pin. Shorting the FREQUENCY pin to SOURCE pin selects the nominal switching frequency of 400 kHz (Figure 9) which is suited for most applications. For other applications that may benefit from lower switching frequency, a 300 kHz switching frequency can be selected by shorting the FREQUENCY pin to the CONTROL pin (Figure 10). This pin should not be left open.

### LINE-SENSE (L) Pin Operation

When current is fed into the LINE-SENSE pin, it works as a voltage source of approximately 2.6 V up to a maximum current of +240  $\mu$ A (typical). At +240  $\mu$ A, this pin turns into a constant current sink. Refer to Figure 8. In addition, a comparator with a threshold of 1 V is connected at the pin and is used to detect when the pin is shorted to the SOURCE pin.

There are a total of five functions available through the use of the LINE-SENSE pin: OV, UV, line feed-forward with  $DC_{MAX}$  reduction, remote ON/OFF and synchronization. Shorting the LINE-SENSE pin to the SOURCE pin disables all five functions. The LINE-SENSE pin is typically used for line sensing by connecting a resistor from this pin to the positive input DC voltage bus to implement OV, UV and line feed-forward with  $DC_{MAX}$  reduction over line voltage. In this mode, the value of the resistor determines the line OV/UV thresholds, and the  $DC_{MAX}$  is reduced linearly with input DC high voltage starting from just above the UV threshold. This pin can also be used as the input pin for remote ON/OFF and synchronization. An external transistor placed between the LINE-SENSE pin and the CONTROL pin realizes remote ON/OFF via UV or OV threshold. Synchronization is available by connecting an open drain external MOSFET between the LINE-SENSE

pin and the SOURCE pin to generate synchronization pulse. Each time the MOSFET turns on, the falling edge of the LINE-SENSE pin voltage initiates a new switching cycle. The lowest synchronization frequency guaranteed by *DPA-Switch* is 128 kHz. Refer to Table 2 for possible combinations of the functions with example circuits shown in Figure 11 through Figure 24. A description of specific functions in terms of the LINE-SENSE pin I/V characteristic is shown in Figure 7 (right hand side). The horizontal axis represents LINE-SENSE pin current with positive polarity indicating currents flowing into the pin. The meaning of the vertical axes varies with functions. For those that control the on/off states of the output such as UV, OV and remote ON/OFF, the vertical axis represents the enable/disable states of the output. UV triggers at  $I_{UV}$  (+50  $\mu$ A typical with 4  $\mu$ A hysteresis) and OV triggers at  $I_{OV}$  (+135  $\mu$ A typical with 4  $\mu$ A hysteresis). Between the UV and OV thresholds, the output is enabled. For line feed-forward with  $DC_{MAX}$  reduction, the vertical axis represents the magnitude of the  $DC_{MAX}$  Line feed-forward with  $DC_{MAX}$  reduction lowers maximum duty cycle from 75% at  $I_{L(DC)}$  (+55  $\mu$ A typical) to 33% at  $I_{OV}$  (+135  $\mu$ A).

### EXTERNAL CURRENT LIMIT (X) Pin Operation

When current is drawn out of the EXTERNAL CURRENT LIMIT pin, it works as a voltage source of approximately 1.3 V up to a maximum current of -230  $\mu$ A (typical). At -230  $\mu$ A, it turns into a constant current source (refer to Figure 8).

There are two functions available through the use of the EXTERNAL CURRENT LIMIT pin: external current limit and remote ON/OFF. Shorting the EXTERNAL CURRENT LIMIT pin and SOURCE pin disables both functions. In high efficiency applications, this pin can be used to reduce the current limit externally to a value close to the operating peak current, by connecting the pin to the SOURCE pin through a resistor.

**LINE-SENSE AND EXTERNAL CURRENT LIMIT PIN TABLE\***

| Figure Number ►                  | 11 | 12 | 13 | 14 | 15 | 16 | 17 | 18 | 19 | 20 | 21 | 22 | 23 | 24 |
|----------------------------------|----|----|----|----|----|----|----|----|----|----|----|----|----|----|
| Three Terminal Operation         | ✓  |    |    |    |    |    |    |    |    |    |    |    |    |    |
| Under-Voltage                    |    | ✓  | ✓  |    |    |    |    |    |    |    | ✓  | ✓  | ✓  |    |
| Overshoot                        |    | ✓  |    | ✓  |    |    |    |    |    |    | ✓  | ✓  | ✓  |    |
| Line Feed-Forward ( $DC_{MAX}$ ) |    | ✓  |    |    |    |    |    |    |    |    | ✓  | ✓  | ✓  |    |
| Overload Power Limiting          |    |    |    |    |    | ✓  |    |    |    |    |    |    |    |    |
| External Current Limit           |    |    |    |    | ✓  | ✓  |    |    | ✓  | ✓  | ✓  |    | ✓  |    |
| Remote ON/OFF                    |    |    |    |    |    |    | ✓  | ✓  | ✓  | ✓  | ✓  | ✓  |    |    |
| Synchronization                  |    |    |    |    |    |    |    |    |    |    |    |    |    | ✓  |

\*This table is only a partial list of many LINE-SENSE and EXTERNAL CURRENT LIMIT pin configurations that are possible.

Table 2. Typical LINE-SENSE and EXTERNAL CURRENT LIMIT Pin Configurations.





Figure 7. LINE-SENSE and EXTERNAL CURRENT LIMIT Pin Characteristics.

The pin can also be used as a remote ON/OFF control input. Table 2 shows several different ways of using this pin. See Figure 7 for a description of the functions where the horizontal axis (left hand side) represents the EXTERNAL CURRENT LIMIT pin current. The meaning of the vertical axes varies with function. For those that control the on/off states of the

output such as remote ON/OFF, the vertical axis represents the enable/disable states of the output. For external current limit, the vertical axis represents the magnitude of the  $I_{LIMIT}$ . Please see graphs in the Typical Performance Characteristics section for the current limit programming range and the selection of the appropriate resistor value.



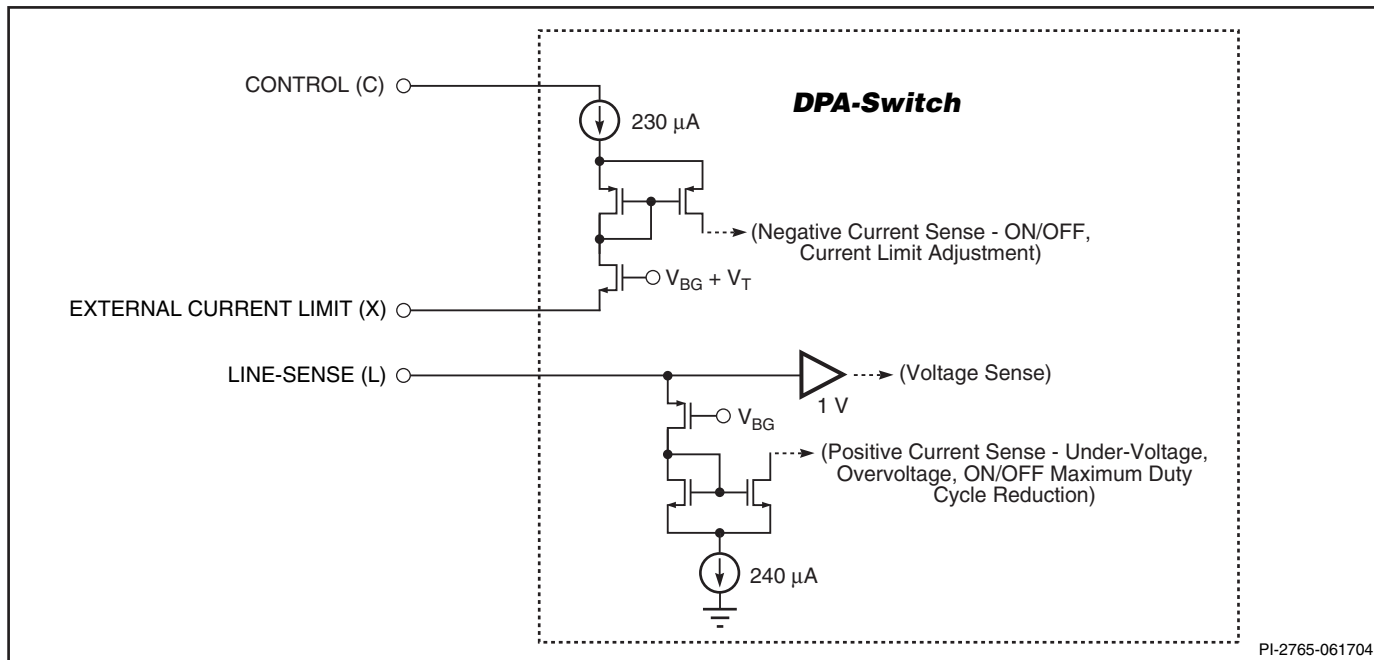


Figure 8. LINE-SENSE (L), and EXTERNAL CURRENT LIMIT (X) Pin Input Simplified Schematic.

### Typical Uses of FREQUENCY (F) Pin



Figure 9. 400 kHz Frequency Operation.



Figure 10. 300 kHz Frequency Operation.

### Typical Uses of LINE-SENSE (L) and EXTERNAL CURRENT LIMIT (X) Pins



Figure 11. Three Terminal Operation (LINE-SENSE and EXTERNAL CURRENT LIMIT Features Disabled). FREQUENCY Pin can be tied to SOURCE or CONTROL Pin).



Figure 12. Line-Sensing for Under-Voltage, Overvoltage and Line Feed-forward.

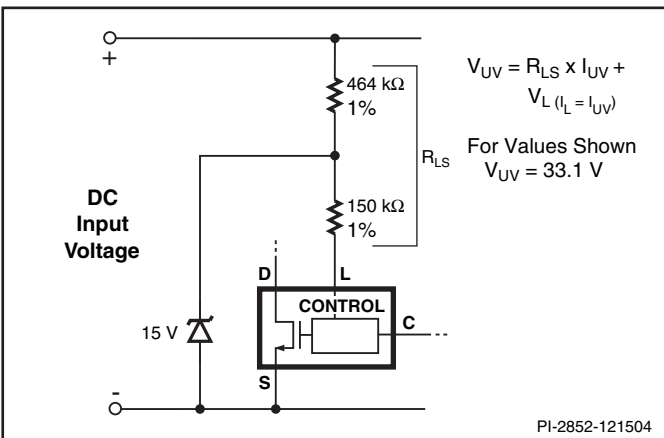


Figure 13. Line-Sensing for Under-Voltage Only (Overvoltage Disabled).



Figure 14. Line-Sensing for Overvoltage Only (Under-Voltage Disabled). Maximum Duty Cycle will be reduced at Low Line.



Typical Uses of LINE-SENSE (L) and EXTERNAL CURRENT LIMIT (X) Pins (cont.)

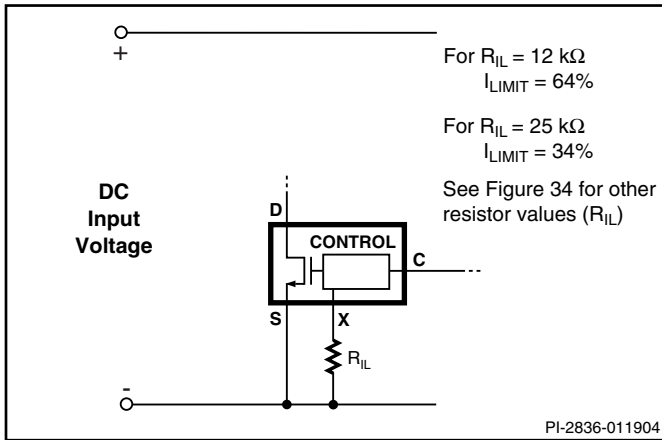


Figure 15. Externally Set Current Limit.

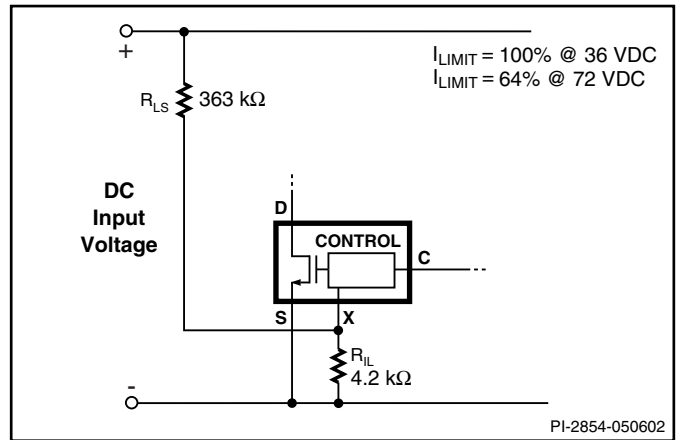


Figure 16. Current Limit Reduction with Line Voltage.

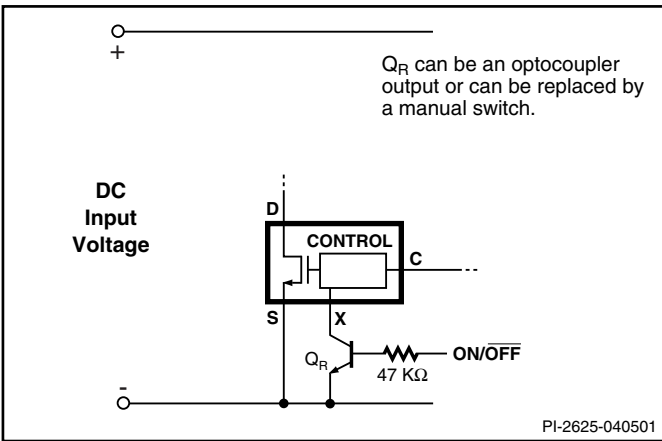


Figure 17. Active-on (Fail Safe) Remote ON/OFF.

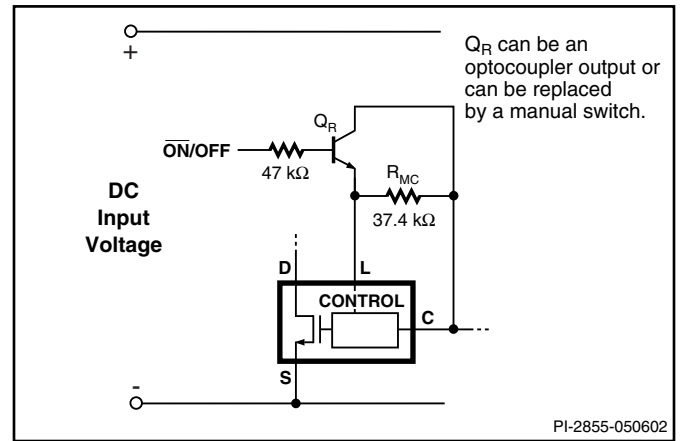


Figure 18. Active-off Remote ON/OFF. Maximum Duty Cycle will be reduced.

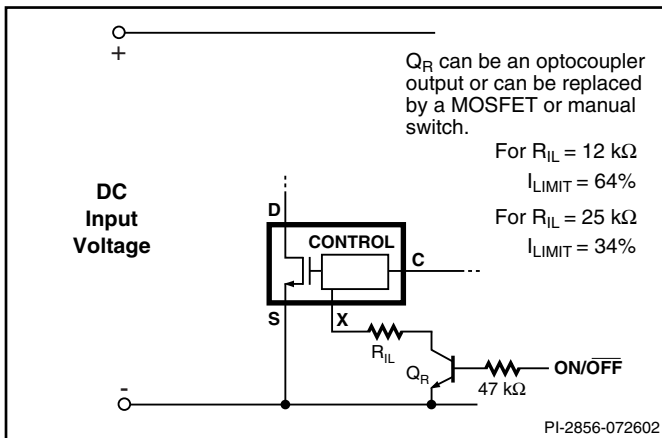


Figure 19. Active-on Remote ON/OFF with Externally Set Current Limit.

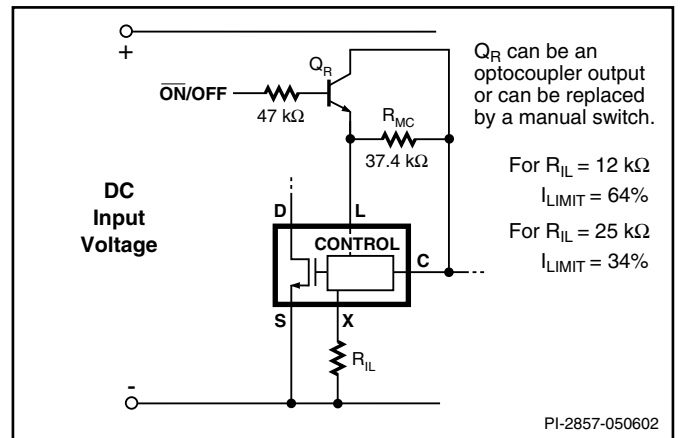


Figure 20. Active-off Remote ON/OFF with Externally Set Current Limit.



Typical Uses of LINE-SENSE (L) and EXTERNAL CURRENT LIMIT (X) Pins (cont.)

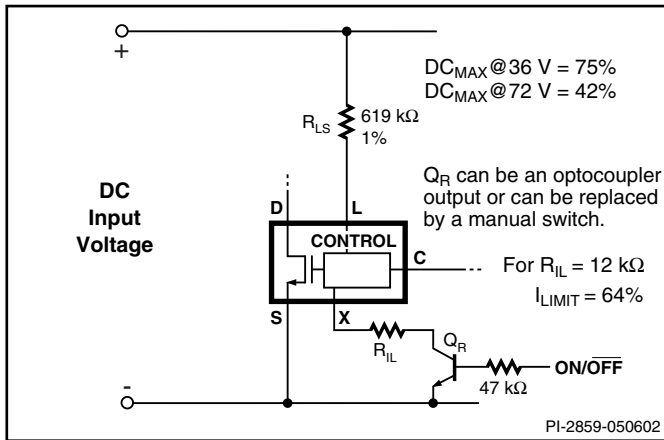


Figure 21. Active-on Remote ON/OFF with LINE-SENSE and EXTERNAL CURRENT LIMIT.

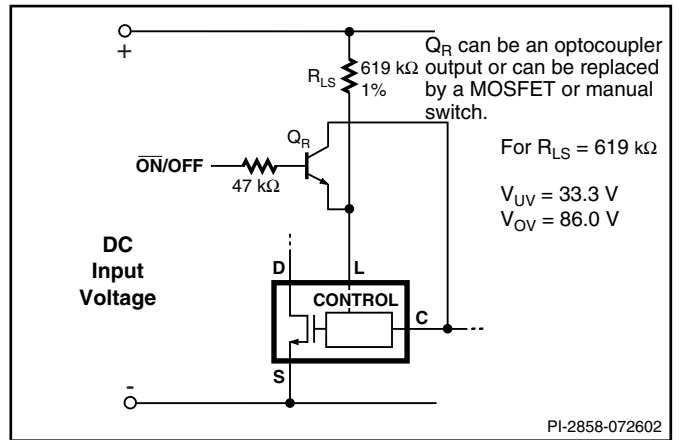


Figure 22. Active-off Remote ON/OFF with LINE-SENSE.

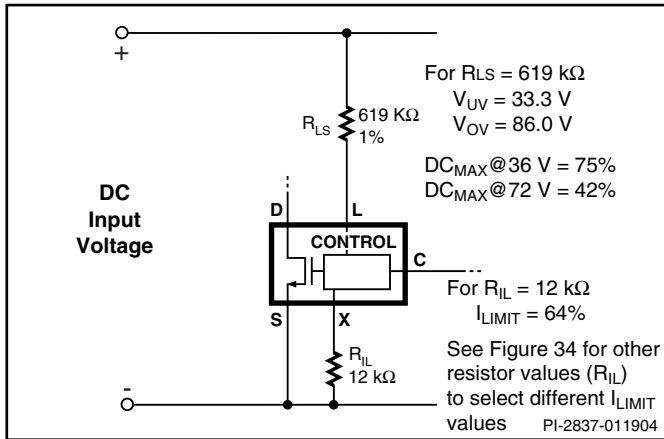


Figure 23. Line-Sensing and Externally Set Current Limit.

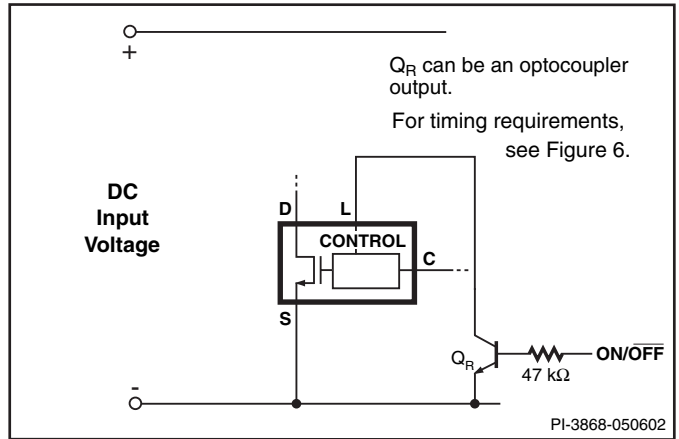


Figure 24. Synchronization.



## Application Examples

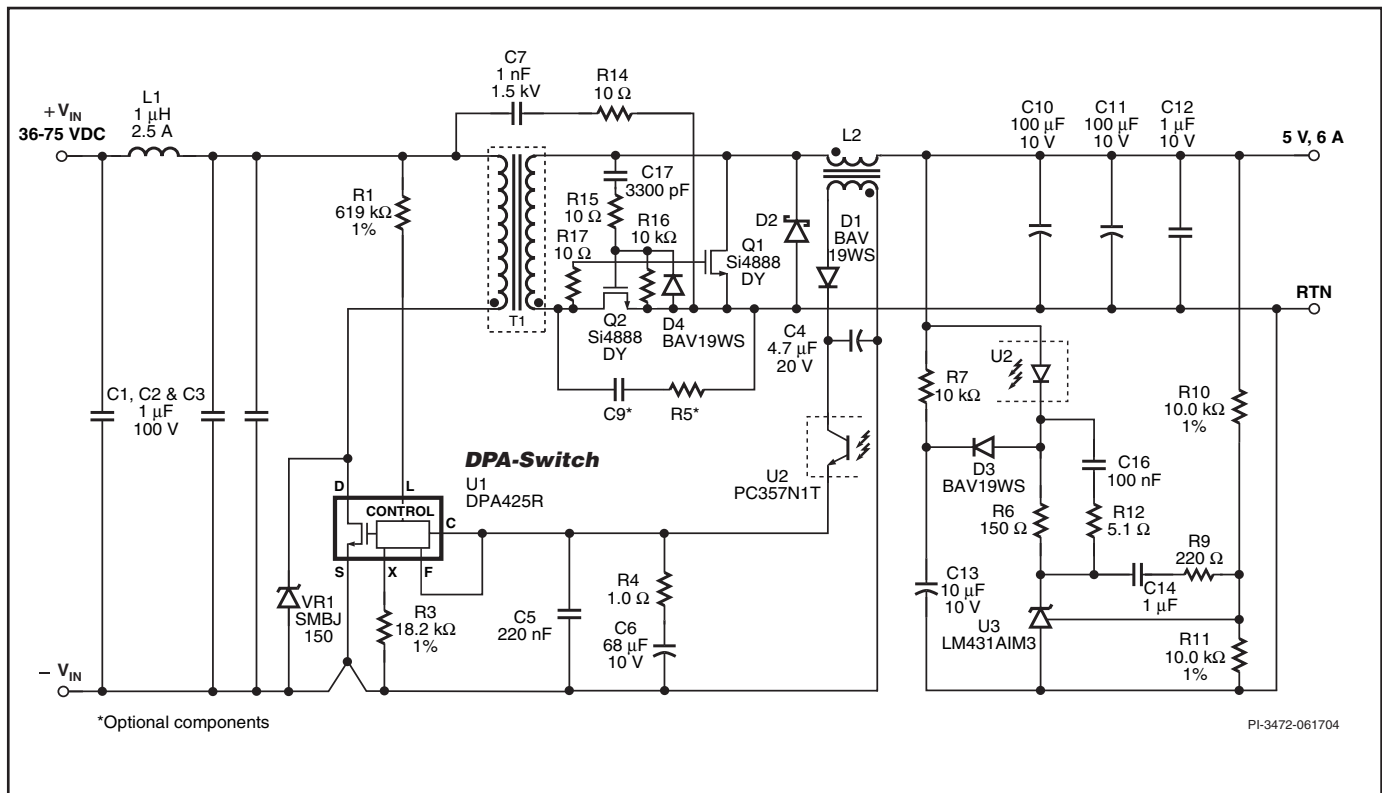


Figure 25. A High Efficiency 30 W, 5 V, Telecom Input DC-DC Converter.

### High Efficiency 30 W Forward Converter

The circuit shown in Figure 25 is a typical implementation of a single output DC-DC converter using *DPA-Switch* in a forward configuration with synchronous rectification. This design delivers 30 W at 5 V, from a 36 VDC to 75 VDC input with a nominal efficiency at 48 VDC of 90% using the DPA425R.

By taking advantage of many of the built-in features of the *DPA-Switch*, the design is greatly simplified compared to a discrete implementation. Resistor R1 programs the input under-voltage and overvoltage thresholds to typically 33 V and 86 V respectively. This resistor also linearly reduces the maximum duty from the internal maximum of 75% at 36 V to 42% at 72 V to prevent core saturation during load transients at high input voltages. The *DPA-Switch* internal thresholds are tolerated and characterized so the designer can guarantee the converter will begin operation at 36 V, necessary to meet ETSI standards, without the cost of an external reference IC.

The current limit is externally set by resistor R3 to just above the drain current level needed for maximum load regulation to limit the maximum overload power of the converter. The externally programmable current limit feature also allows a larger *DPA-Switch* family member to be selected. Using the X pin, the current limit can be adjusted to the same level. A large device reduces conduction losses and improves efficiency without

requiring any other circuit changes. This has been used here to replace the DPA424R with a DPA425R.

The selectable 300/400 kHz switching frequency is set to 300 kHz by connecting the FREQUENCY (F) pin to CONTROL (C).

DRAIN voltage clamping is provided by VR1, which keeps the peak DRAIN voltage within acceptable limits. Transformer core reset is provided by the gate capacitance of Q1 with R17 in series. Optional reset capacitance C9 with R5 can be added if necessary to supplement the gate capacitance of Q1.

The output of the transformer is rectified using MOSFETs to provide synchronous rectification. The UV/OV function, together with the turns ratio of the transformer, defines the maximum MOSFET gate voltage, allowing the very simple gate drive arrangement, without the need for drive windings or a drive IC. During primary on-time, capacitor C17 couples charge through resistor R15 to drive the gate of the forward MOSFET, Q2. Capacitor C17 provides a DC isolated drive for Q2, preventing gate overstress on Q1 during power down. The time constant formed by R16 and C17 is selected to be much longer than one switching cycle. Diode D4 resets the voltage on capacitor C17 before the next switching cycle. During the primary off-time, the diode D2 provides a conduction path for the energy in inductor L2 while Q1 is still off. The transformer

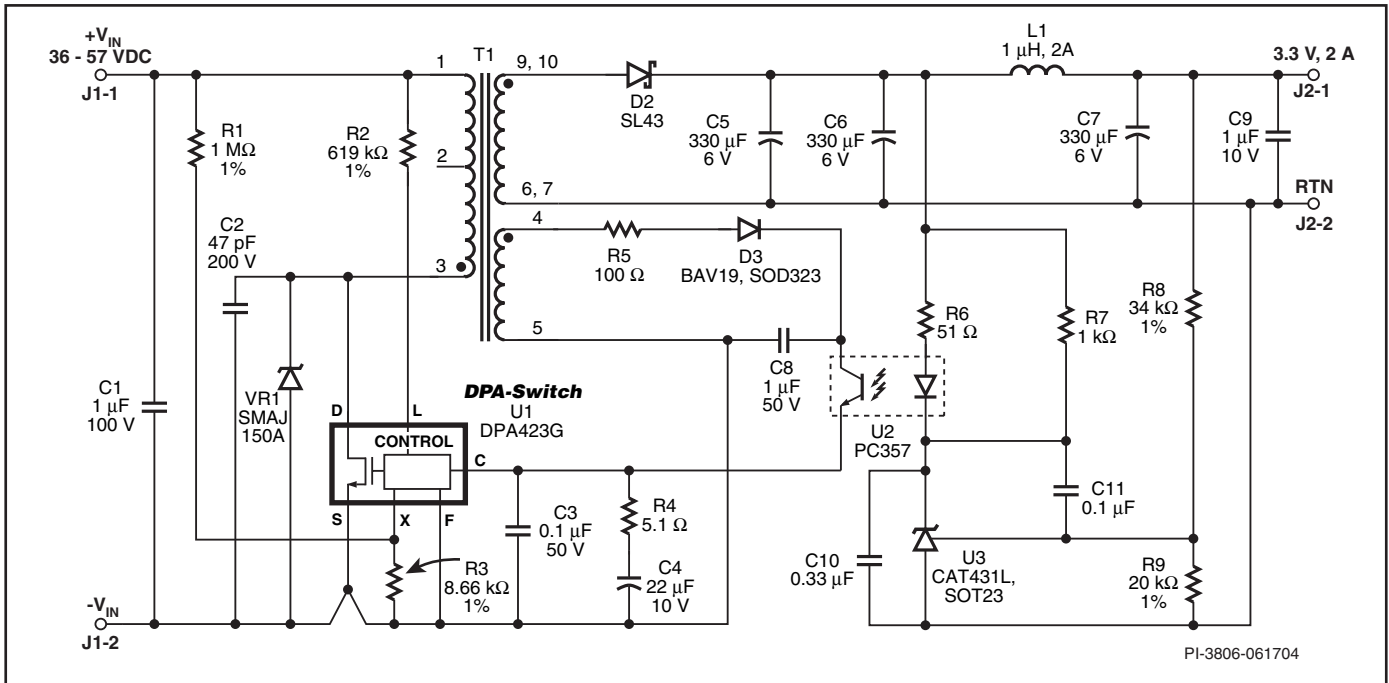


Figure 26. A Cost Effective 6.6 W, 3.3 V Flyback DC-DC Converter.

reset voltage on the secondary winding directly drives a positive voltage on the gate of catch MOSFET, Q1. MOSFET Q1 provides a low loss conduction path for a substantial portion of the primary off-time. An isolated auxiliary winding on L2, rectified and filtered by D1 and C4, provides the bias supply for the optocoupler transistor. Output regulation is achieved by using secondary side voltage reference, U3. The resistor divider formed by R10 and R11, together with the reference voltage, determines the output voltage. Diode D3 and C13 form a soft-finish network that, together with the internal duty cycle and current limit soft-start of the *DPA-Switch*, prevent output overshoot at start-up. Resistor R7 ensures that the soft-finish capacitor is discharged quickly when the output falls out of regulation. Control loop response is shaped by R6, C16, R12, C14, R9, R4 and C5, providing a wide bandwidth and good phase margin at gain crossover. Since the PWM control in *DPA-Switch* is voltage mode, no slope compensation is required for duty cycles above 50%.

**Cost Effective 6.6 W Flyback Converter**

The *DPA-Switch* flyback power supply provides a cost effective solution for high density PoE and VoIP DC-DC applications.

Figure 26 shows a typical implementation of a single output flyback converter using the DPA423G. For applications that require input to output isolation, this simple, low component count design delivers 6.6 W at 3.3 V from a 36 VDC to 57 VDC input with a nominal efficiency at 48 VDC of 80%.

Resistor R2 programs the input under-voltage and overvoltage thresholds to 33 V and 86 V respectively. Resistors R1 and R3 program the internal device current limit. The addition of line

sense resistor R1 reduces the current limit with increasing input voltage, preventing excessive overload output current. In this design the overload output current varies less than  $\pm 2.5\%$  across the entire input voltage range. Controlling the current limit also reduces secondary component stress and leakage inductance spikes, allowing the use of a lower  $V_{RRM}$  (30 V rather than 40 V) Schottky output diode, D2.

The primary side Zener clamp VR1 ensures the peak drain voltage is kept below the 220 V  $BV_{DSS}$  rating of U1 under input surge and overvoltage events. During normal operation, VR1 does not conduct and C2 is sufficient to limit the peak drain voltage.

The primary bias winding provides CONTROL pin current after start-up. Diode D3 rectifies the bias winding, while components R5 and C8 reduce high frequency switching noise and prevent peak charging of the bias voltage. Capacitor C3 provides local decoupling of U1 and should be physically close to the CONTROL and SOURCE pins. Energy storage for start-up and auto-restart timing is provided by C4.

The secondary is rectified by D2 and the Low ESR tantalum output capacitors, C5-C7, minimizing switching ripple and maximizing efficiency. A small footprint secondary output choke L1 and ceramic output capacitor C9 are adequate to reduce high frequency noise and ripple to below 35 mV peak-peak under full load conditions.

The output voltage is sensed by the voltage divider formed by resistors R8 and R9 and is fed to the low voltage 1.24 V reference U3. Feedback compensation is provided by R6, R7





## Key Application Considerations

### DPA-Switch Design Considerations

#### Power Table

This section provides a description of the assumptions used to generate the power tables (Tables 1 and 3 through 6) and explains how to use the information provided by them.

All Power tables: Tables 1 and 3 through 6

- Maximum output power is limited by the device internal current limit. This is the peak output power which could become the continuous output power, provided adequate heat sinking is used.
- Data assumes adequate heat sinking to keep the junction temperature at or below 100 °C and worst case  $R_{DS(ON)}$  at  $T_J = 100$  °C.
- The use of P and G packages are recommended for device dissipation equal to or less than 1.5 W only due to package thermal limitation. For device dissipation above 1.5 W, use S and R packages.

Forward power tables: Tables 1 (upper half), 3 and 4

- Output power figures are based on forward topology using Schottky diode rectification. Up to 5% higher output power is possible using synchronous rectification.
- Dissipation data assumes a diode loss representing 6% of the total output power and combined loss in magnetic components representing 6% of the total output power. DPA-Switch losses are based on a ratio between conduction and switching losses of approximately 3:1. These assumptions are typical for a single 5 V output forward converter design using Schottky rectification and adequately designed magnetic components.

Flyback power tables: Tables 1 (lower half), 5 and 6

- Output power and dissipation figures are based on a 5 V output using Schottky diode rectification with an efficiency of 85%. Values are generated by calculation based on  $P \cdot R_{DS(ON)}$  losses and characterization of switching losses, correlated to bench measurement of each DPA-Switch device.
- Device dissipations above 1.5 W are possible using the S and R packages. However the forward converter topology is recommended for such higher power designs.

The power tables provide two types of information. The first is the expected device dissipation for a given output power. The second is the maximum power output. Each table specifies the input voltage range and assumes a single 5 V output using Schottky diode rectification.

For example, referring to Table 1, for 36 VDC to 75 VDC input range, DPA424 would typically dissipate 1 W in a 23 W forward converter and has a maximum power capacity of 35 W. In the

| OUTPUT POWER TABLE                            |       |        |       |      |      |                               |
|---|-------|--------|-------|------|------|-------------------------------|
| 16-32 VDC RANGE (FORWARD) <sup>2</sup>        |       |        |       |      |      |                               |
| Total Device Dissipation PRODUCT <sup>3</sup> | 0.5 W | 1 W    | 2.5 W | 4 W  | 6 W  | Max Power Output <sup>1</sup> |
| DPA423  | 5 W   | 7 W    | -     | -    | -    | 7.5 W                         |
| DPA424  | 7 W   | 10 W   | 15 W  | -    | -    | 15.5 W                        |
| DPA425  | 10 W  | 14 W   | 22 W  | 27 W |      | 31 W                          |
| DPA426  | 12 W  | 16.5 W | 25 W  | 31 W | 37 W | 43 W                          |

Table 3. Output Power Table for 16-32 VDC Input Voltage. Notes: 1. Limited by device internal current limit. 2. See text in this section for a complete description of assumptions. 3. See Part Ordering Information.

| OUTPUT POWER TABLE                            |       |      |        |      |      |                               |
|---|-------|------|--------|------|------|-------------------------------|
| 24-48 VDC RANGE (FORWARD) <sup>2</sup>        |       |      |        |      |      |                               |
| Total Device Dissipation PRODUCT <sup>3</sup> | 0.5 W | 1 W  | 2.5 W  | 4 W  | 6 W  | Max Power Output <sup>1</sup> |
| DPA423  | 8 W   | 11 W | -      | -    | -    | 11.5 W                        |
| DPA424  | 11 W  | 16 W | 23.5 W | -    | -    | 25 W                          |
| DPA425  | 16 W  | 22 W | 35 W   | 43 W |      | 47 W                          |
| DPA426  | 18 W  | 25 W | 39 W   | 48 W | 58 W | 65 W                          |

Table 4. Output Power Table for 24-48 VDC Input Voltage (See Table 3 for Notes).

| OUTPUT POWER TABLE                            |       |        |      |       |                               |
|---|-------|--------|------|-------|-------------------------------|
| 16-32 VDC RANGE (FLYBACK) <sup>2</sup>        |       |        |      |       |                               |
| Total Device Dissipation PRODUCT <sup>3</sup> | 0.5 W | 0.75 W | 1 W  | 1.5 W | Max Power Output <sup>1</sup> |
| DPA423  | 5 W   | -      | -    | -     | 6 W                           |
| DPA424  | 6.5 W | 8.5 W  | 10 W | -     | 11 W                          |
| DPA425  | 7 W   | 10 W   | 12 W | 15 W  | 22 W                          |

Table 5. Flyback Output Power Table for 16-32 VDC Input Voltage (See Table 3 for Notes).

| OUTPUT POWER TABLE                              |       |        |      |       |                               |
|---|-------|--------|------|-------|-------------------------------|
| 24-48 VDC RANGE (FLYBACK) <sup>2</sup>          |       |        |      |       |                               |
| Total Device Dissipation PRODUCT <sup>3,4</sup> | 0.5 W | 0.75 W | 1 W  | 1.5 W | Max Power Output <sup>1</sup> |
| DPA423  | 7 W   | -      | -    | -     | 8.5 W                         |
| DPA424  | 8.5 W | 11.5 W | 14 W | -     | 17 W                          |

Table 6. Flyback Output Power Table for 24-48 VDC Input Voltage. Notes: 1. Maximum output power is limited by device internal current limit. 2. See text in this section for a complete description of assumptions. 3. See Part Ordering Information. 4. Higher switching losses may prevent DPA425 from delivering more power than a smaller device.





same converter, DPA425 would dissipate 0.5 W. Selecting DPA425 with associated reduced dissipation would increase overall converter efficiency by approximately 2%.

#### Issues Affecting Dissipation:

- 1) Using synchronous rectification will tend to reduce device dissipation.
- 2) Designs with lower output voltages and higher currents will tend to increase the device dissipation listed in the power table.
- 3) Reduced input voltage decreases the available output power for the same device dissipation. Tables 3 to 6 are the power tables for 16 VDC and 24 VDC input voltages. Input voltages below 16 V are possible, but since the internal start-up current source is not specified at voltages below 16 V, an external chip supply current should be fed into the CONTROL pin approximately equal to but less than  $I_{CD1}$ .

#### DPA-Switch Selection

Use Tables 1 and 3 through 6 to select the *DPA-Switch* based on device dissipation. Selecting the optimum *DPA-Switch* depends upon required maximum output power, efficiency, heat sinking constraints and cost goals. With the option to externally reduce current limit, a larger *DPA-Switch* may be used for lower power applications where higher efficiency is needed or minimal heat sinking is available. Generally, selecting the next larger device, than is required for power delivery will give the highest efficiency. Selecting even larger devices may give little or no improvement in efficiency due to the improvement in conduction losses being negated by larger device switching losses. Figure 50 provides information on switching losses. This together with conduction loss calculations give an estimate of device dissipation.

#### Primary Clamp

A primary clamp network is recommended to keep the peak DRAIN voltage due to primary leakage inductance to below the  $BV_{DSS}$  specification. A Zener diode combined with a small value capacitor connected across the primary winding is a low cost and low part count implementation.

#### Output Rectification

Rectification of the secondary is typically performed using Schottky diodes or synchronous rectification. Schottky diodes are selected for peak inverse voltage, output current, forward drop and thermal conditions. Synchronous rectification requires the additional complication of providing gate drive. The specified line under-voltage and line overvoltage thresholds of *DPA-Switch* simplifies deriving gate drive directly from the transformer secondary winding for many applications. The turns ratio of the transformer together with the under/overvoltage thresholds defines the minimum and maximum gate voltages, removing the need for Zeners to clamp the gate voltage.

#### Soft-Start

Generally a power supply experiences maximum stress at start-up before the feedback loop achieves regulation. For a period of 5 ms the on-chip soft-start linearly increases the duty cycle from zero to the default  $DC_{MAX}$  at turn-on. In addition, the primary current limit increases from 85% to 100% over the same period. This causes the output voltage to rise in an orderly manner allowing time for the feedback loop to take control of the duty cycle. This integrated soft-start reduces the stress on the *DPA-Switch* MOSFET, clamp circuit and output diode(s), and helps prevent transformer saturation during start-up. Also, soft-start limits the amount of output voltage overshoot, and in many applications eliminates the need for a soft-finish capacitor. If necessary, to remove output overshoot, a soft-finish capacitor may be added to the secondary reference.

#### Switching Frequency

The FREQUENCY pin of *DPA-Switch* offers a switching frequency option of 400 kHz or 300 kHz. Operating at 300 kHz will increase the amount of magnetization energy stored in the transformer. This is ideal for applications using synchronous rectification driven directly from the transformer secondary where this energy can be used to drive the catch MOSFET gate.

#### Transformer Design

It is recommended that the forward converter transformer be designed for maximum operating flux swing of 1500 Gauss and a peak flux density of 3500 Gauss. When operating at the maximum current limit of the selected *DPA-Switch* (during overload conditions), neither magnetic component (transformer and output inductor) should be allowed to saturate. When a larger device than necessary has been selected, reducing the internal current limit close to the operating peak current limits overload power and minimizes the size of the secondary components.

#### No-load and Standby Consumption

Cycle skipping operation at light or no load can significantly reduce power loss. In addition this operating mode ensures that the output maintains regulation even without an external minimum load. However, if cycle skipping is undesirable in a particular application, it can be avoided by adding sufficient pre-load.

#### DPA-Switch Layout Considerations

The *DPA-Switch* can operate with large DRAIN current, the following guidelines should be carefully followed.

#### Primary Side Connections

The tab of *DPA-Switch* R package and S-PAK is the intended return path for the high switching currents. Therefore, the tab should be connected by wide, low impedance traces back to

the input decoupling capacitor. The SOURCE pin should not be used to return the power currents; incorrect operation of the device may result. The SOURCE is only intended as a signal ground. The device tab (SOURCE) is the correct connection for high current with the R package and S-PAK.

The CONTROL pin bypass capacitor should be located as close as possible to the SOURCE and CONTROL pins and its SOURCE connection trace should not be shared by the main MOSFET switching currents. All SOURCE pin referenced components connected to the LINE-SENSE or EXTERNAL CURRENT LIMIT pins should also be located closely between their respective pin and SOURCE. Once again, the SOURCE connection trace of these components should not be shared by the main MOSFET switching currents. It is critical that the tab (SOURCE) power switching currents are returned to the input capacitor through a separate trace that is not shared by the components connected to CONTROL, LINE-SENSE or EXTERNAL CURRENT LIMIT pins.

Any traces to the L or X pins should be kept as short as possible and away from the DRAIN trace to prevent noise coupling. LINE-SENSE resistor (R1 in Figure 25) should be located close to the L pin to minimize the trace length on the L pin side.

In addition to the CONTROL pin capacitor (C6 in Figure 25), a high frequency bypass capacitor in parallel is recommended as close as possible between SOURCE and CONTROL pins for better noise immunity. The feedback optocoupler output should also be located close to the CONTROL and SOURCE pins of *DPA-Switch*.

### Heat Sinking

To maximize heat sinking of the *DPA-Switch* S, R or G package and the other power components, special thermally conductive PC board material (aluminum clad PC board) is recommended. This has an aluminum sheet bonded to the PC board during the manufacturing process to provide heat sinking directly and allow the attachment of an external heat sink. If normal PC board material is used (such as FR4), providing copper areas on both sides of the board and using thicker copper will improve heat sinking.

If an aluminum clad board is used then shielding of switching nodes is recommended. This consists of an area of copper placed directly underneath switching nodes such as the drain node, and output diode to provide an electrostatic shield to prevent coupling to the aluminum substrate. These areas are connected to input negative in the case of the primary and output return for secondary. This reduces the amount of capacitive coupling into the insulated aluminum substrate that can then appear on the output as ripple and high frequency noise.

### Quick Design Checklist

As with any power supply design, all *DPA-Switch* designs should be verified on the bench to make sure that component specifications limits are not exceeded under worst case conditions. The following minimum set of tests for *DPA-Switch* forward converters is strongly recommended:

1. Maximum drain voltage – Verify that peak  $V_{DS}$  does not exceed minimum  $BV_{DSS}$  at highest input voltage and maximum overload output power. It is normal, however, to have additional margin of approximately 25 V below  $BV_{DSS}$  to allow for other power supply component unit-to-unit variations. Maximum overload output power occurs when the output is loaded to a level just before the power supply goes into auto-restart (loss of regulation).
2. Transformer reset margin – Drain voltage should also be checked at highest input voltage with a severe load step (50-100%) to verify adequate transformer reset margin. This test shows the duty cycle at high input voltage, placing the most demand on the transformer reset circuit.
3. Maximum drain current – At maximum ambient temperature, maximum input voltage and maximum output load, verify drain current waveforms at start-up for any signs of transformer or output inductor saturation and excessive leading edge current spikes. *DPA-Switch* has a leading edge blanking time of 100 ns to prevent premature termination of the on cycle. Verify that the leading edge current spike does not extend beyond the blanking period.
4. Thermal check – At maximum output power, minimum input voltage and maximum ambient temperature, verify that temperature specifications are not exceeded for the transformer, output diodes, output choke(s) and output capacitors. The *DPA-Switch* is fully protected against over-temperature conditions by its thermal shutdown feature. It is recommended that sufficient heat sinking is provided to keep the tab temperature at or below 115 °C (S and R packages), SOURCE pins at or below 100 °C (P/G packages) under worst case continuous load conditions (at low input voltage, maximum ambient and full load). This provides adequate margin to minimum thermal shutdown temperature (130 °C) to account for part-to-part  $R_{DS(ON)}$  variation. When monitoring device temperatures, note that the junction-to-case thermal resistance should be accounted for when estimating die temperature.

### Design Tools

Up-to-date information on design tools is available at the Power Integrations website: [www.powerint.com](http://www.powerint.com).



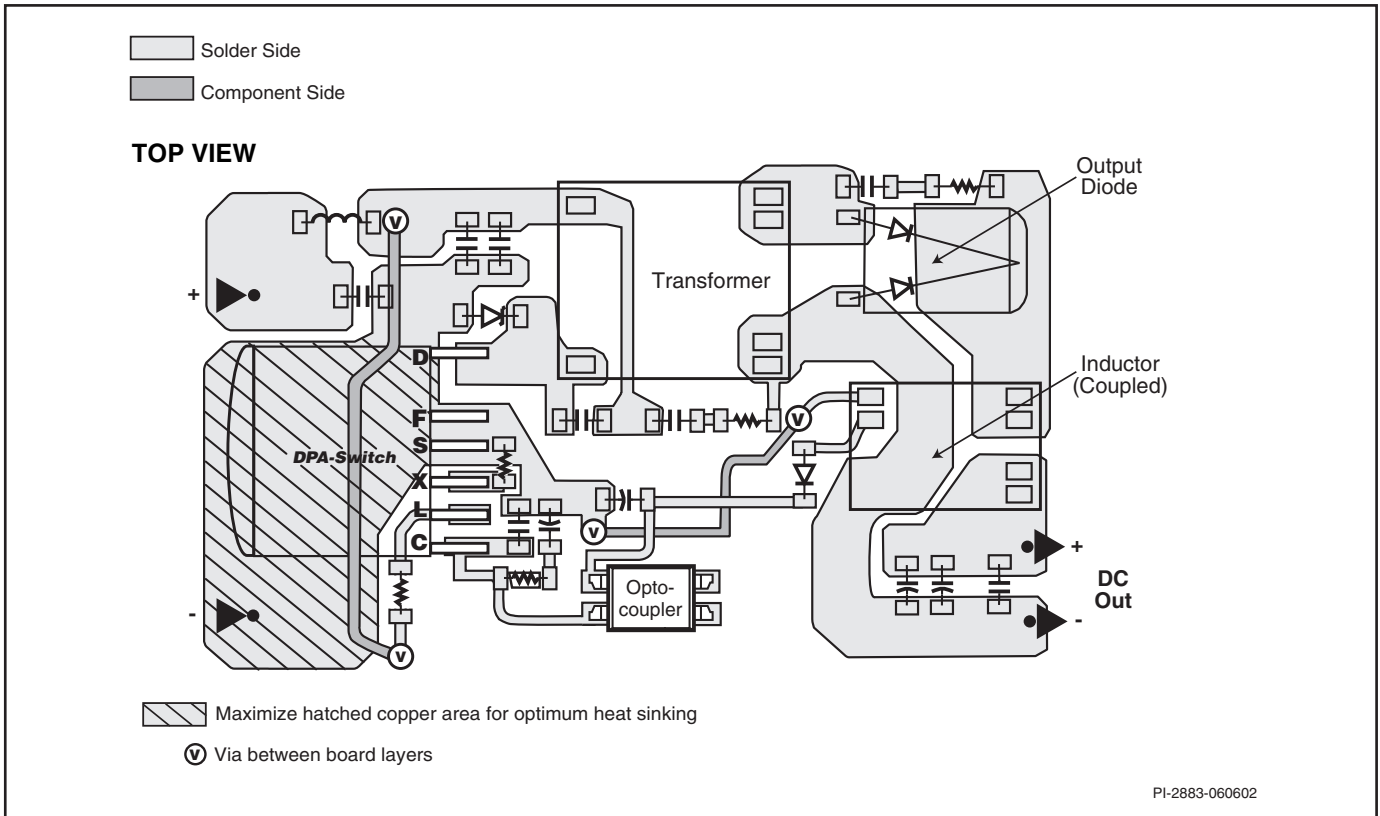


Figure 28. Layout Considerations for DPA-Switch Using S-PAK or R Package.

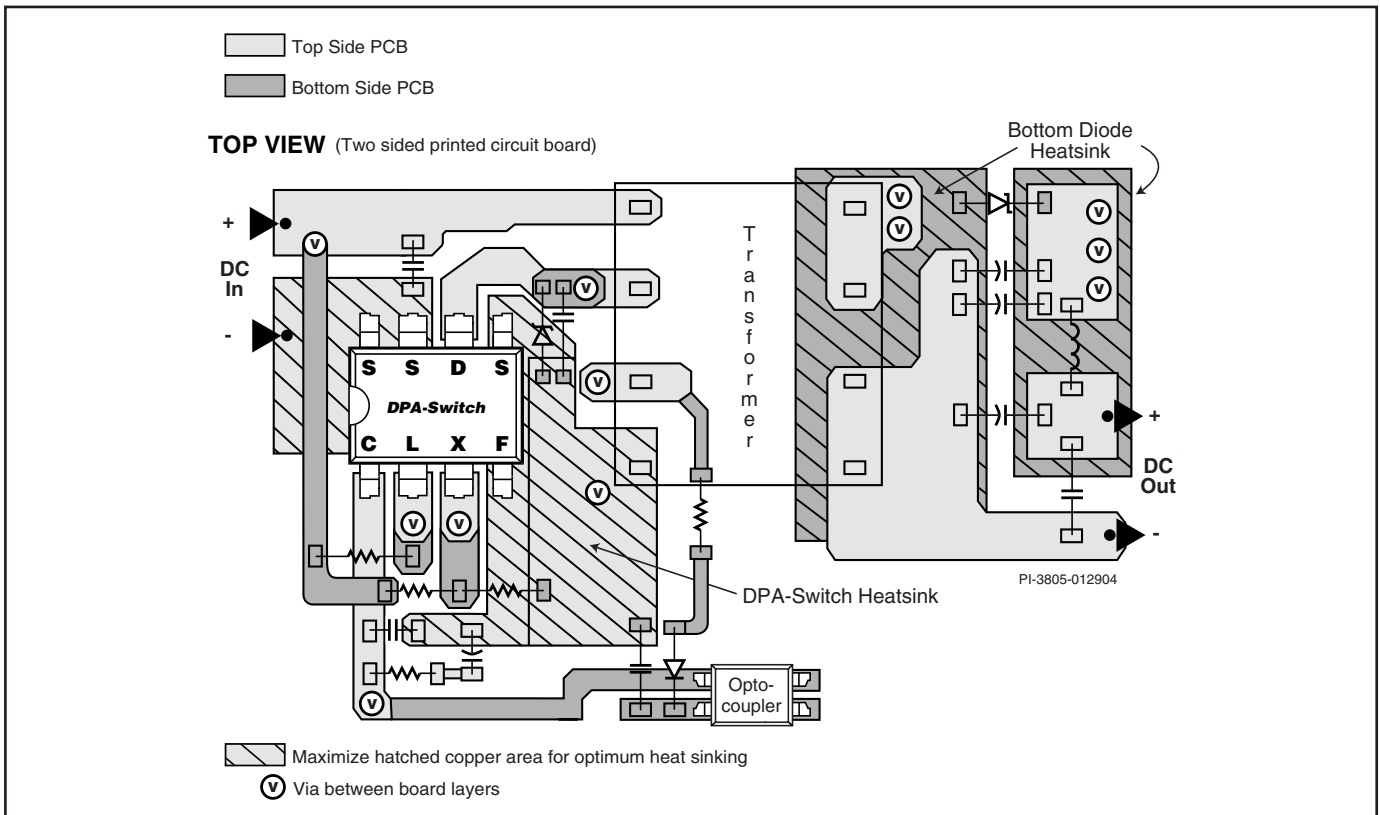


Figure 29. Layout Considerations for DPA-Switch Using G Package.

**ABSOLUTE MAXIMUM RATINGS<sup>(1,4)</sup>**

|  |                  |  |                  |
|--|------------------|--|------------------|
| DRAIN Voltage .....                      | -0.3 V to 220 V  | Operating Junction Temperature <sup>(2)</sup> .....  | -40 °C to 150 °C |
| DRAIN Peak Current: DPA423.....          | 1.75 A           | Lead Temperature <sup>(3)</sup> .....  | 260 °C           |
| DPA424.....                              | 3.5 A            | <b>Notes:</b>  |                  |
| DPA425.....                              | 7 A              | 1. All voltages referenced to SOURCE, T <sub>A</sub> = 25 °C.  |                  |
| DPA426.....                              | 9.6 A            | 2. Normally limited by internal circuitry.   |                  |
| CONTROL Voltage .....                    | -0.3 V to 9 V    | 3. 1/16" from case for 5 seconds.  |                  |
| CONTROL Current .....                    | 100 mA           | 4. Maximum ratings specified may be applied, one at a time, without causing permanent damage to the product. |                  |
| LINE SENSE Pin Voltage .....             | -0.3 V to 9 V    | Exposure to Absolute Maximum Rating conditions for extended periods of time may affect product reliability.  |                  |
| EXTERNAL CURRENT LIMIT Pin Voltage ..... | -0.3 V to 9 V    |  |                  |
| FREQUENCY Pin Voltage .....              | -0.3 V to 9 V    |  |                  |
| Storage Temperature .....                | -65 °C to 150 °C |  |                  |

**THERMAL IMPEDANCE**

|  |  |
|--|--|
| Thermal Impedance: P or G Package:     | <b>Notes:</b>  |
| ( $\theta_{JA}$ ) .....                | 1. Soldered to 0.36 sq. in. (232 mm <sup>2</sup> ), 2 oz. (610 g/m <sup>2</sup> ) copper clad. |
| ( $\theta_{JC}$ ) <sup>(3)</sup> ..... | 2. Soldered to 1 sq. in. (645 mm <sup>2</sup> ), 2 oz. (610 g/m <sup>2</sup> ) copper clad.    |
| R Package:                             | 3. Measured on pin 7 (SOURCE) close to plastic interface.                                      |
| ( $\theta_{JA}$ ) .....                | 4. Soldered to 1 sq. in. (645 mm <sup>2</sup> ), 2 oz. (610 g/m <sup>2</sup> ) copper clad.    |
| ( $\theta_{JA}$ ) .....                | 5. Soldered to 3 sq. in. (1935 mm <sup>2</sup> ), 2 oz. (610 g/m <sup>2</sup> ) copper clad.   |
| ( $\theta_{JC}$ ) <sup>(6)</sup> ..... | 6. Measured at the back surface of tab.  |
| S-PAK:                                 |  |
| ( $\theta_{JA}$ ) .....                |  |
| ( $\theta_{JA}$ ) .....                |  |
| ( $\theta_{JC}$ ) <sup>(6)</sup> ..... |  |

| Parameter                                  | Symbol               | Conditions  |                                    |     | Min  | Typ  | Max | Units |
|--|----------------------|---|------------------------------------|-----|------|------|-----|-------|
|  |                      | SOURCE = 0 V; T <sub>J</sub> = -40 to 125 °C<br>See Figure 33<br>(Unless Otherwise Specified) |                                    |     |      |      |     |       |
| <b>CONTROL FUNCTIONS</b>                   |                      |   |                                    |     |      |      |     |       |
| Switching Frequency                        | f <sub>OSC</sub>     | T <sub>J</sub> = 25 °C  | FREQUENCY Pin Connected to SOURCE  | 375 | 400  | 425  | kHz |       |
|  |                      |   | FREQUENCY Pin Connected to CONTROL | 282 | 300  | 317  |     |       |
| Duty Cycle (Prior to Cycle Skipping)       | DC <sub>MIN</sub>    |   |                                    |     | 4    | 6    | %   |       |
| Maximum Duty Cycle                         | DC <sub>MAX</sub>    | I <sub>C</sub> = I <sub>CD1</sub>   | V <sub>L</sub> = 0 V               | 71  | 75   | 79   | %   |       |
|  |                      |   | I <sub>L</sub> = 80 μA             | 52  | 62   | 71   |     |       |
|  |                      |   | I <sub>L</sub> = 115 μA            | 32  | 42   | 57   |     |       |
| Control Current at Start of Cycle Skipping | I <sub>C(skip)</sub> | T <sub>J</sub> = 25 °C; f <sub>OSC</sub> = 400 kHz  | DPA423                             |     | 7.2  | 9.0  | mA  |       |
|  |                      |   | DPA424                             |     | 8.2  | 10.0 |     |       |
|  |                      |   | DPA425                             |     | 10.0 | 12.0 |     |       |
|  |                      |   | DPA426                             |     | 11.5 | 14.0 |     |       |
| External Bias Current                      | I <sub>B</sub>       | T <sub>J</sub> = 25 °C; f <sub>OSC</sub> = 400 kHz  | DPA423                             | 2   | 2.8  | 3.5  | mA  |       |
|  |                      |   | DPA424                             | 2.5 | 3.5  | 4.4  |     |       |
|  |                      |   | DPA425                             | 3.6 | 4.8  | 6.0  |     |       |
|  |                      |   | DPA426                             | 4.4 | 5.7  | 7.1  |     |       |



| Parameter   | Symbol          | Conditions   |                          | Min  | Typ   | Max  | Units    |
|---|-----------------|--|--------------------------|------|-------|------|----------|
|   |                 | SOURCE = 0 V; $T_J = -40$ to $125$ °C<br>See Figure 33<br>(Unless Otherwise Specified)                 |                          |      |       |      |          |
| <b>CONTROL FUNCTIONS (cont.)</b>                            |                 |  |                          |      |       |      |          |
| Softstart Time  | $t_{SOFT}$      | $T_J = 25$ °C; $DC_{MIN}$ to $DC_{MAX}$  |                          |      | 5     | 7.2  | ms       |
| PWM Gain  | $DC_{reg}$      | $T_J = 25$ °C; $I_C = (I_{C(skip)} + I_B)/2$   |                          | -28  | -22   | -18  | %/mA     |
| PWM Gain Temperature Drift                                  |                 | See Note A   |                          |      | -0.01 |      | %/mA/°C  |
| Dynamic Impedance   | $Z_C$           | $T_J = 25$ °C; $I_C = (I_{C(skip)} + I_B)/2$   |                          | 10   | 15    | 22   | $\Omega$ |
| Dynamic Impedance Temperature Drift                         |                 |  |                          |      | 0.18  |      | %/°C     |
| CONTROL Pin Internal Filter Pole                            |                 |  |                          |      | 30    |      | kHz      |
| <b>SHUTDOWN/AUTO-RESTART</b>                                |                 |  |                          |      |       |      |          |
| CONTROL Pin Charging Current                                | $I_{C(CH)}$     | During Startup and Auto-Restart:<br>$V_C = 5.0$ V; $V_D = 16$ V & 40 V; $T_J = 25$ °C                  |                          | -5.2 | -4    | -3   | mA       |
|   |                 | Average Current at the Beginning of Softstart:<br>$V_C = 5.0$ V;<br>$V_D = 16$ V & 40 V; $T_J = 25$ °C |                          |      | -19   |      |          |
| Charging Current Temperature Drift                          |                 | See Note A   |                          |      | -0.6  |      | %/°C     |
| Auto-Restart Upper Threshold Voltage                        | $V_{C(AR)U}$    |  |                          |      | 5.8   |      | V        |
| Auto-Restart Lower Threshold Voltage                        | $V_{C(AR)L}$    |  |                          | 4.5  | 4.8   | 5.1  | V        |
| Auto-Restart Hysteresis Voltage                             | $V_{C(AR)Hyst}$ |  |                          | 0.8  | 1     |      | V        |
| Auto-Restart Duty Cycle                                     | $DC_{(AR)}$     | $C_{CONTROL} = 22$ $\mu$ F; $f_{OSC} = 400$ kHz;<br>$V_X = 0$ V  |                          |      |       | 10   | %        |
| Auto-Restart Frequency                                      | $f_{(AR)}$      | $C_{CONTROL} = 22$ $\mu$ F; $f_{OSC} = 400$ kHz;<br>$V_X = 0$ V  |                          |      | 3.8   |      | Hz       |
| <b>LINE-SENSE (L) AND EXTERNAL CURRENT LIMIT (X) INPUTS</b> |                 |  |                          |      |       |      |          |
| Line Under-Voltage Threshold Current and Hysteresis (L Pin) | $I_{UV}$        | $T_J = 25$ °C  | Threshold from Off to On | 48   | 50    | 52   | $\mu$ A  |
|   |                 |  | Threshold from On to Off | 44.5 | 47    | 49.5 |          |
|   |                 |  | Hysteresis               | 2    | 3     |      |          |



| Parameter  | Symbol            | Conditions   |                                      |      | Min   | Typ  | Max     | Units |
|--|-------------------|--|--------------------------------------|------|-------|------|---------|-------|
|  |                   | SOURCE = 0 V; $T_J = -40$ to $125$ °C<br>See Figure 33<br>(Unless Otherwise Specified) |                                      |      |       |      |         |       |
| <b>LINE-SENSE (L) AND EXTERNAL CURRENT LIMIT (X) INPUTS (cont.)</b>        |                   |  |                                      |      |       |      |         |       |
| Line Overvoltage or Remote ON/OFF Threshold Current and Hysteresis (L Pin) | $I_{OV}$          | $T_J = 25$ °C  | Threshold from On to Off             |      | 135   | 149  | $\mu$ A |       |
|  |                   |  | Threshold from Off to On             | 117  | 131   |      |         |       |
|  |                   |  | Hysteresis                           |      | 4     |      |         |       |
| Remote ON/OFF Negative Threshold Current and Hysteresis (X Pin)            | $I_{REM}$         | $T_J = 25$ °C  | Threshold from On to Off             | -27  | -21.5 | -16  | $\mu$ A |       |
|  |                   |  | Threshold from Off to On             |      | -25.5 |      |         |       |
|  |                   |  | Hysteresis                           |      | 4.5   |      |         |       |
| L Pin Short Circuit Current  | $I_{L(SC)}$       |  | $V_L = V_C$                          | 175  | 240   | 380  | $\mu$ A |       |
|  |                   |  | $V_L = 0$ V                          | -230 | -170  |      |         |       |
| X Pin Short Circuit Current  | $I_{X(SC)}$       | $V_X = 0$ V  | Normal Mode                          | -270 | -230  | -185 | $\mu$ A |       |
|  |                   |  | Remote OFF using L Pin               | -105 | -85   | -65  |         |       |
| Line Pin Voltage (Positive Current)  | $V_L$             |  | $I_L = I_{UV}$                       | 2.05 | 2.35  | 2.6  | V       |       |
|  |                   |  | $I_L = I_{OV}$                       | 2.1  | 2.5   | 2.9  |         |       |
| X Pin Voltage (Negative Current)   | $V_X$             |  | $I_X = -50$ $\mu$ A                  |      | 1.35  |      | V       |       |
|  |                   |  | $I_X = -150$ $\mu$ A                 |      | 1.25  |      |         |       |
| Maximum Duty Cycle Reduction Onset Threshold Current                       | $I_{L(DC)}$       | $T_J = 25$ °C  |                                      |      | 55    |      | $\mu$ A |       |
| Remote OFF DRAIN Supply Current  | $I_{D(RMT)}$      | $V_D = 40$ V<br>$V_X = 0$ V  | $V_L = \text{Floating}$              |      | 0.6   | 1.1  | mA      |       |
|  |                   |  | $V_L = V_C$                          |      | 0.9   | 1.5  |         |       |
| L Pin Voltage Turn-On Threshold in Synchronous Mode                        | $V_{L(TH)}$       |  |                                      | 0.6  | 1     | 1.4  | V       |       |
| On-Time Pulse Width for Synchronization                                    | $t_{on(sync)}$    |  | $f_{OSC} = 400$ kHz                  | 120  |       | 2250 | ns      |       |
|  |                   |  | $f_{OSC} = 300$ kHz                  | 120  |       | 3080 |         |       |
| Off-Time Pulse Width for Synchronization                                   | $t_{off(sync)}$   |  |                                      | 0.25 |       | 7.7  | $\mu$ s |       |
| Synchronous Turn-On Delay  | $t_{delay(sync)}$ |  | From Synchronous On to Drain Turn-On |      |       | 250  | ns      |       |

| Parameter                                  | Symbol                               | Conditions  |                                | Min                                  | Typ   | Max  | Units    |
|--|--------------------------------------|---|--------------------------------|--------------------------------------|-------|------|----------|
|  |                                      | SOURCE = 0 V; $T_J = -40$ to $125$ °C<br>See Figure 33<br>(Unless Otherwise Specified)                            |                                |                                      |       |      |          |
| <b>FREQUENCY (F) INPUT</b>                 |                                      |   |                                |                                      |       |      |          |
| FREQUENCY Pin Threshold Voltage            | $V_F$                                |   |                                | 1.1                                  |       | 4    | V        |
| FREQUENCY Pin Input Current                | $I_F$                                | $V_F = 0$ V   |                                |                                      | -0.38 |      | $\mu$ A  |
|  |                                      | $V_F = V_C$   |                                |                                      | 17    | 120  |          |
| FREQUENCY Pin Delay Time                   | $t_{\text{delay}(VF)}$               |   |                                |                                      |       | 2    | $\mu$ s  |
| <b>CIRCUIT PROTECTION</b>                  |                                      |   |                                |                                      |       |      |          |
| Self Protection Current Limit (See Note B) | $I_{\text{LIMIT}}$                   | $T_J = 25$ °C   | DPA423 di/dt = 300 mA/ $\mu$ s | 1.16                                 | 1.25  | 1.34 | A        |
|  |                                      |   | DPA424 di/dt = 600 mA/ $\mu$ s | 2.32                                 | 2.50  | 2.68 |          |
|  |                                      |   | DPA425 di/dt = 1.25 A/ $\mu$ s | 4.65                                 | 5.00  | 5.35 |          |
|  |                                      |   | DPA426 di/dt = 1.75 A/ $\mu$ s | 6.50                                 | 7.00  | 7.50 |          |
| Initial Current Limit                      | $I_{\text{INIT}}$                    | $V_D = 35$ V  |                                | 0.9 x $I_{\text{LIMIT}(\text{min})}$ |       |      | A        |
| Leading Edge Blanking Time                 | $t_{\text{LEB}}$                     | $T_J = 25$ °C   |                                |                                      |       | 100  | ns       |
| Current Limit Delay                        | $t_{\text{IL}(D)}$                   | $I_C = (I_{\text{C}(\text{skip})} + I_B)/2$   |                                |                                      | 100   |      | ns       |
| Thermal Shut-down Temperature              | $T_{\text{J}(\text{SD})}$            |   |                                | 130                                  | 137   | 145  | °C       |
| Thermal Shut-down Hysteresis               | $T_{\text{J}(\text{SD})\text{hyst}}$ |   |                                |                                      | 27    |      | °C       |
| Power-Up Reset Threshold Voltage           | $V_{\text{C}(\text{RESET})}$         |   |                                | 1.5                                  | 2.75  | 4    | V        |
| <b>OUTPUT</b>                              |                                      |   |                                |                                      |       |      |          |
| ON-State Resistance                        | $R_{\text{DS}(\text{ON})}$           | DPA423<br>$I_D = 300$ mA  | $T_J = 25$ °C                  |                                      | 1.30  | 1.50 | $\Omega$ |
|  |                                      |   | $T_J = 100$ °C                 |                                      | 2.00  | 2.30 |          |
|  |                                      | DPA424<br>$I_D = 600$ mA  | $T_J = 25$ °C                  |                                      | 0.65  | 0.75 |          |
|  |                                      |   | $T_J = 100$ °C                 |                                      | 1.00  | 1.15 |          |
|  |                                      | DPA425<br>$I_D = 1.25$ A  | $T_J = 25$ °C                  |                                      | 0.33  | 0.38 |          |
|  |                                      |   | $T_J = 100$ °C                 |                                      | 0.50  | 0.58 |          |
|  |                                      | DPA426<br>$I_D = 1.75$ A  | $T_J = 25$ °C                  |                                      | 0.24  | 0.28 |          |
|  |                                      |   | $T_J = 100$ °C                 |                                      | 0.37  | 0.43 |          |
| OFF-State Drain Leakage Current            | $I_{\text{DSS}}$                     | $V_X, V_L = \text{Floating};$<br>$V_D = 150$ V;<br>$T_J = 125$ °C;<br>$I_C = (I_{\text{C}(\text{skip})} + I_B)/2$ | DPA423                         |                                      |       | 65   | $\mu$ A  |
|  |                                      |   | DPA424                         |                                      |       | 130  |          |
|  |                                      |   | DPA425                         |                                      |       | 260  |          |
|  |                                      |   | DPA426                         |                                      |       | 360  |          |

| Parameter                             | Symbol                | Conditions   | Min    | Typ  | Max | Units  |    |
|---------------------------------------|-----------------------|--|--------|------|-----|--------|----|
|                                       |                       | SOURCE = 0 V; T <sub>J</sub> = -40 to 125 °C<br>See Figure 33<br>(Unless Otherwise Specified)  |        |      |     |        |    |
| <b>OUTPUT (cont.)</b>                 |                       |  |        |      |     |        |    |
| Breakdown Voltage                     | BV <sub>DSS</sub>     | V <sub>X</sub> , V <sub>L</sub> = Floating; T <sub>J</sub> = 25 °C;<br>I <sub>C</sub> = (I <sub>C(skip)</sub> + I <sub>B</sub> )/2; See Note C | 220    |      |     | V      |    |
| Rise Time                             | t <sub>R</sub>        | Measured in a Typical Application  |        | 10   |     | ns     |    |
| Fall Time                             | t <sub>F</sub>        | Measured in a Typical Application  |        | 10   |     | ns     |    |
| <b>SUPPLY VOLTAGE CHARACTERISTICS</b> |                       |  |        |      |     |        |    |
| DRAIN Supply Voltage                  |                       | See Note D   | 16     |      |     | V      |    |
| Shunt Regulator Voltage               | V <sub>C(SHUNT)</sub> | I <sub>C</sub> = (I <sub>C(skip)</sub> + I <sub>B</sub> )/2; T <sub>J</sub> = 25 °C  | 5.6    | 5.85 | 6.0 | V      |    |
| Shunt Regulator Temperature Drift     |                       | I <sub>C</sub> = (I <sub>C(skip)</sub> + I <sub>B</sub> )/2  |        | ±50  |     | PPM/°C |    |
| CONTROL Supply/Discharge Current      | I <sub>CD1</sub>      | Output MOSFET Enabled<br>V <sub>L</sub> = 0 V;<br>f <sub>OSC</sub> = 400 kHz   | DPA423 | 1.9  | 2.3 | 2.7    | mA |
|                                       |                       |  | DPA424 | 2.6  | 3.0 | 3.4    |    |
|                                       |                       |  | DPA425 | 3.7  | 4.3 | 4.8    |    |
|                                       |                       |  | DPA426 | 4.8  | 5.4 | 6      |    |
|                                       | I <sub>CD2</sub>      | Output MOSFET Disabled<br>V <sub>L</sub> = 0 V; f <sub>OSC</sub> = 400 kHz   | 0.4    | 0.73 | 1.2 |        |    |

**NOTES:**

- A. For specifications with negative values, a negative temperature coefficient corresponds to an increase in magnitude with increasing temperature, and a positive temperature coefficient corresponds to a decrease in magnitude with increasing temperature.
- B. For externally adjusted current limit values, please refer to Figure 35 (Current Limit vs. External Current Limit Resistance) in the Typical Performance Characteristics section.
- C. Breakdown voltage may be checked against minimum BV<sub>DSS</sub> specification by ramping the DRAIN pin voltage up to but not exceeding minimum BV<sub>DSS</sub>.
- D. It is possible to start up and operate *DPA-Switch* at DRAIN voltages well below 16 V. However, the CONTROL pin charging current is reduced, which affects start-up time, auto-restart frequency, and auto-restart duty cycle. Refer to Figure 45, the characteristic graph on CONTROL pin charge current (I<sub>C</sub>) vs. DRAIN voltage for low voltage operation characteristics.



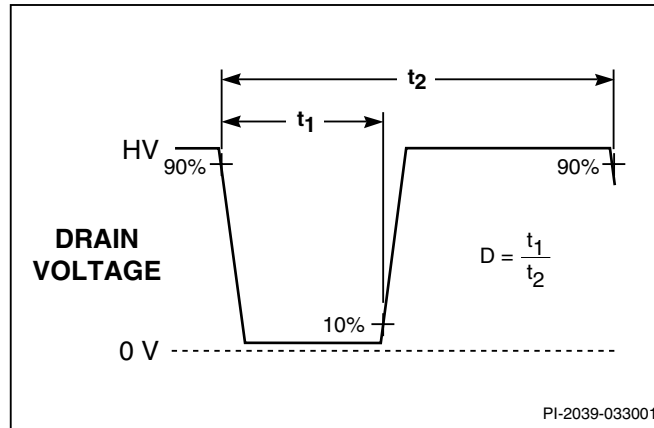


Figure 30. Duty Cycle Measurement.

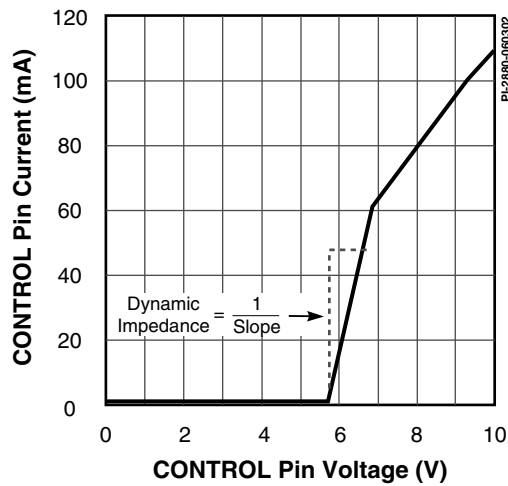


Figure 31. CONTROL Pin I-V Characteristic.

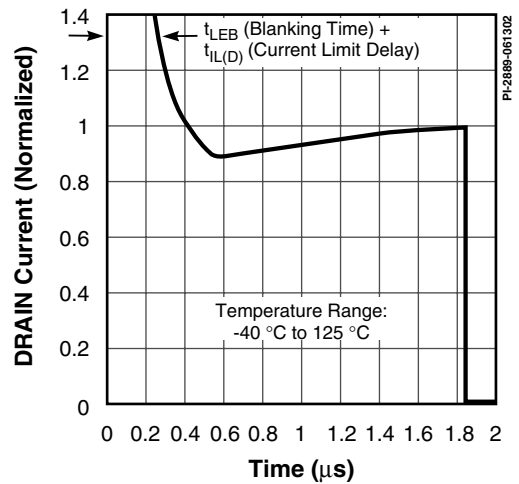


Figure 32. Typical Drain Operation Current Envelope.

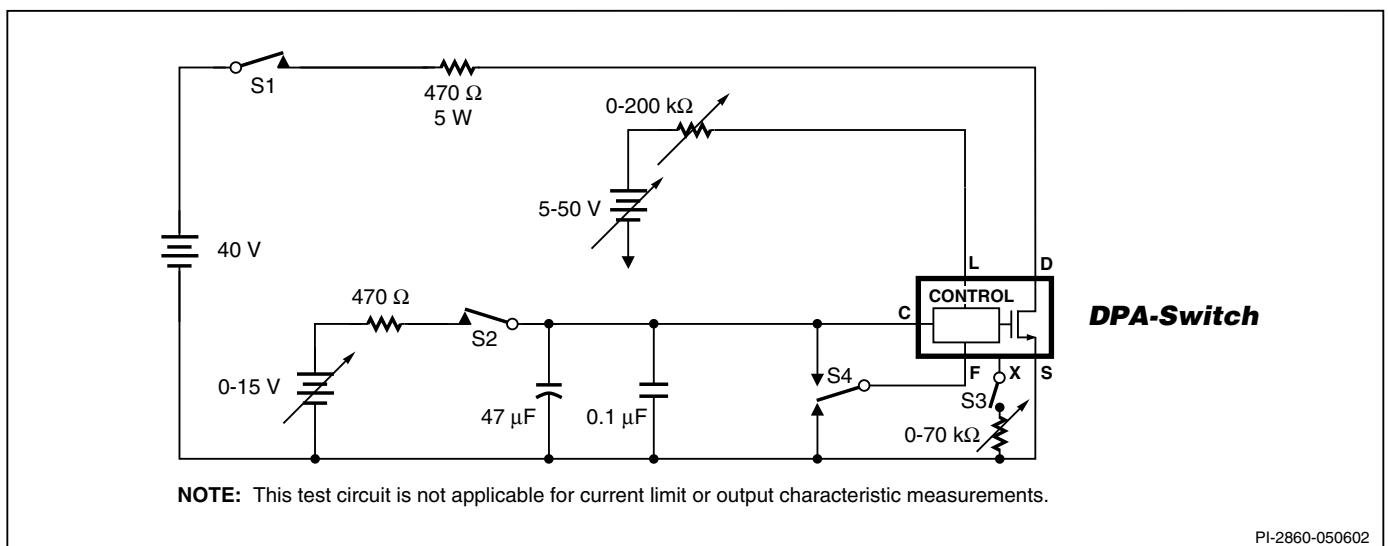


Figure 33. DPA-Switch General Test Circuit.

**BENCH TEST PRECAUTIONS FOR EVALUATION OF ELECTRICAL CHARACTERISTICS**

The following precautions should be followed when testing *DPA-Switch* by itself outside of a power supply. The schematic shown in Figure 33 is suggested for laboratory testing of *DPA-Switch*.

When the DRAIN pin supply is turned on, the part will be in the auto-restart mode. The CONTROL pin voltage will be oscillating at a low frequency between 4.8 V and 5.8 V and the drain is turned on every eighth cycle of the CONTROL pin oscillation. If the CONTROL pin power supply is turned on

while in this auto-restart mode, there is only a 12.5% chance that the CONTROL pin oscillation will be in the correct state (drain active state) so that the continuous drain voltage waveform may be observed. It is recommended that the  $V_C$  power supply be turned on first and the DRAIN pin power supply second if continuous drain voltage waveforms are to be observed. The 12.5% chance of being in the correct state is due to the divide-by-8 counter. Temporarily shorting the CONTROL pin to the SOURCE pin will reset *DPA-Switch*, which then will come up in the correct state.

**Typical Performance Characteristics**

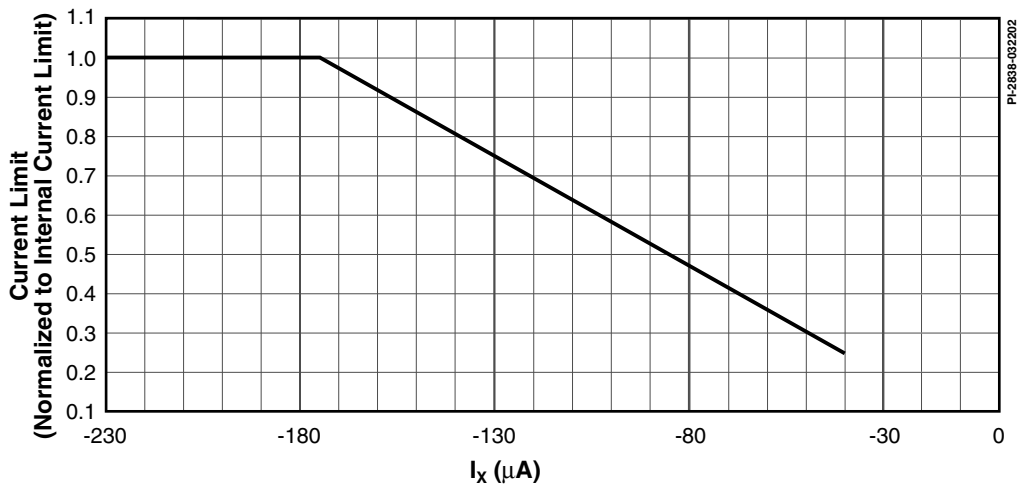


Figure 34. Current Limit vs. EXTERNAL CURRENT LIMIT Pin Current.

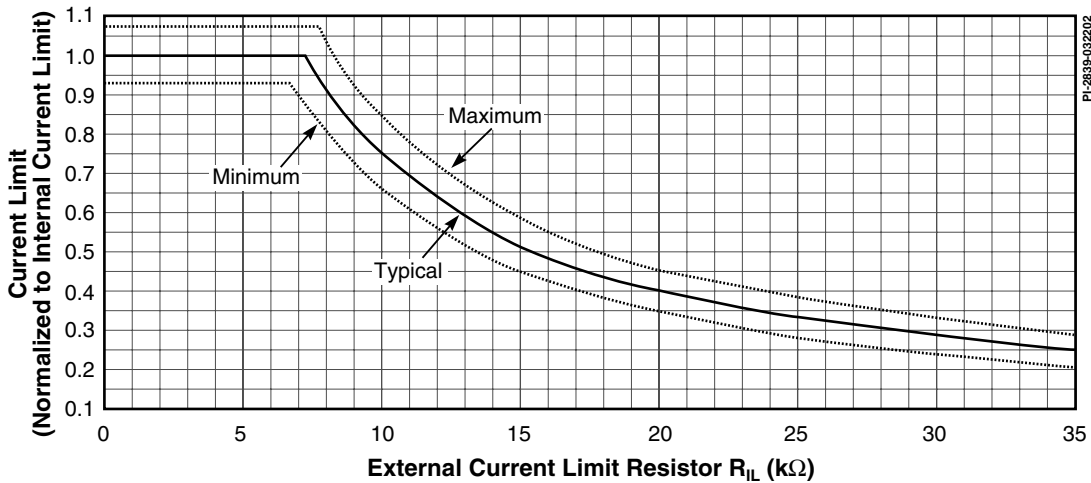


Figure 35. Current Limit vs. External Current Limit Resistance.



Typical Performance Characteristics (cont.)

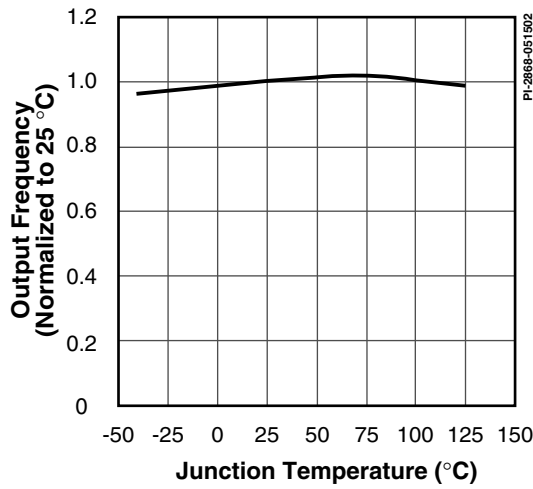


Figure 36. Frequency vs. Temperature.

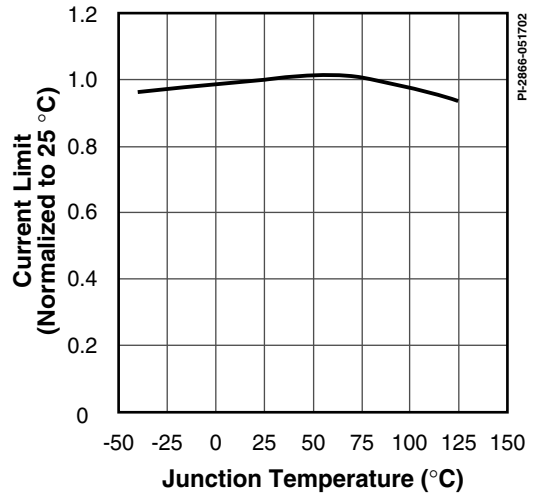


Figure 37. Internal Current Limit vs. Temperature.

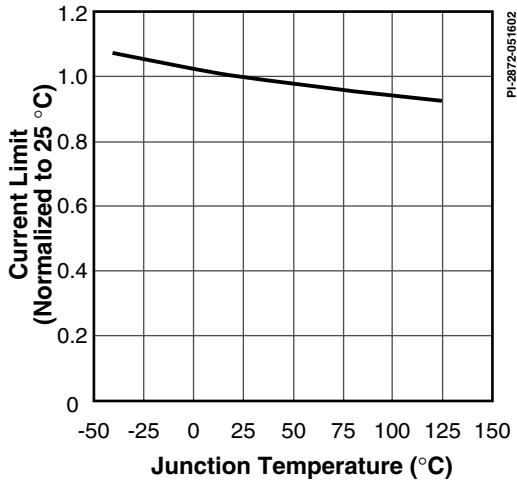


Figure 38. External Current Limit vs. Temperature with  $R_{IL} = 12\text{ k}\Omega$ .

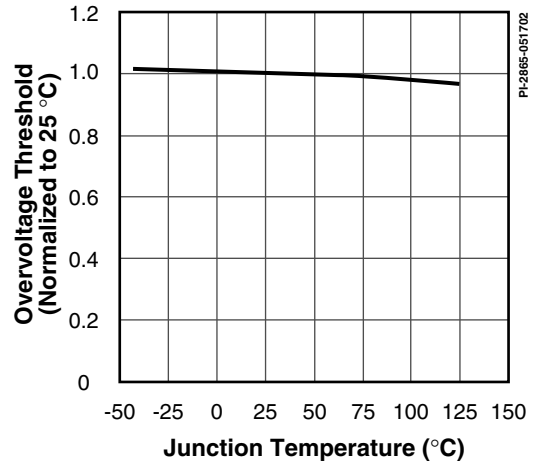


Figure 39. Overvoltage Threshold vs. Temperature.

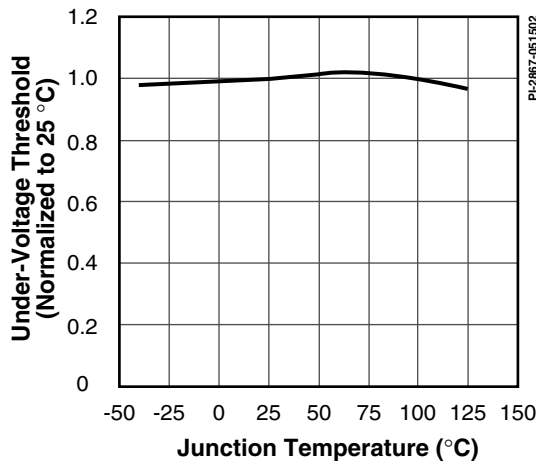


Figure 40. Under-Voltage Threshold vs. Temperature.

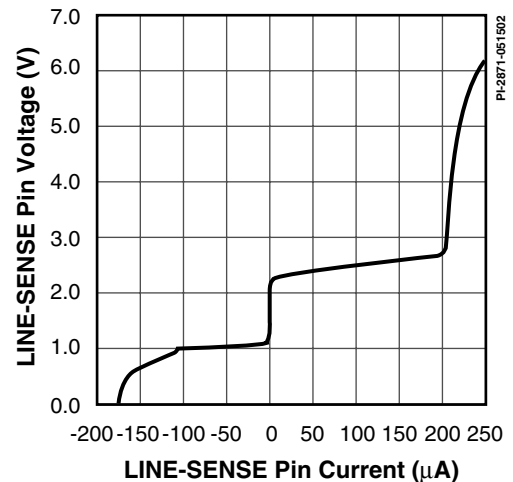


Figure 41. LINE-SENSE Pin Voltage vs. Current.



Typical Performance Characteristics (cont.)

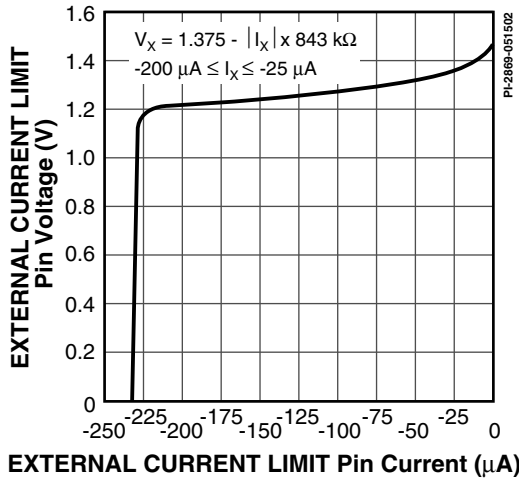


Figure 42. EXTERNAL CURRENT LIMIT Pin Voltage vs. Current

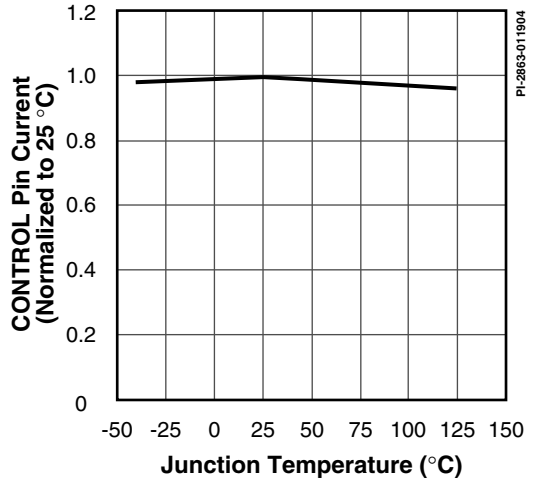


Figure 43. CONTROL Pin Current at Minimum Duty Cycle vs. Temperature.

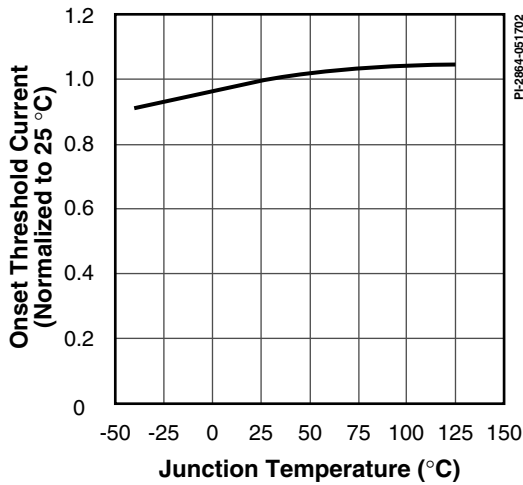


Figure 44. Max. Duty Cycle Reduction Onset Threshold Current vs. Temperature.

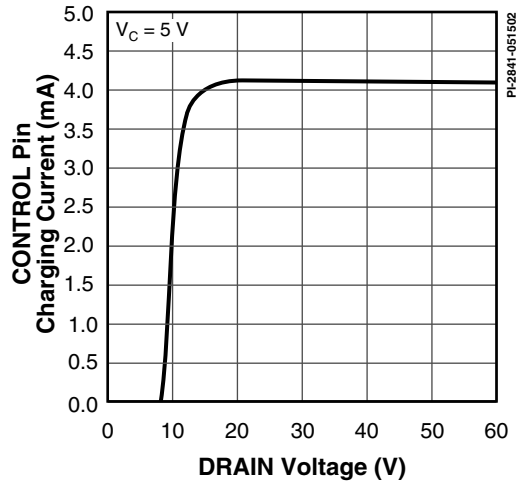


Figure 45.  $I_C$  vs. DRAIN Voltage.

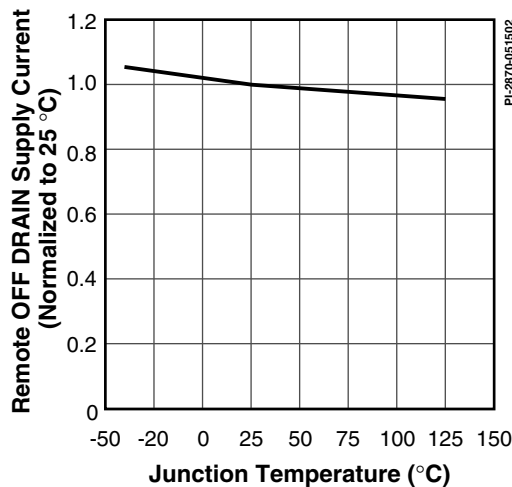


Figure 46. Remote OFF DRAIN Supply Current vs. Temperature.

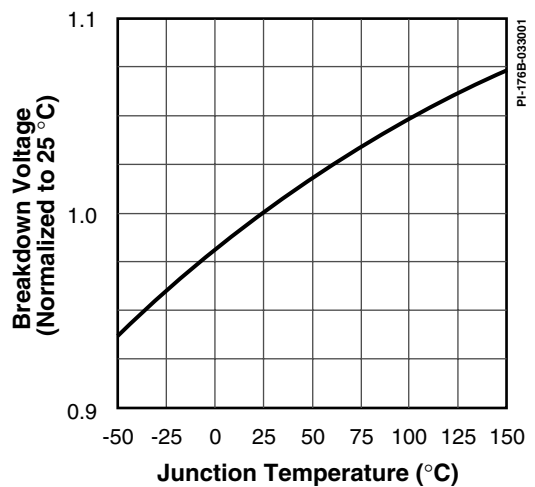


Figure 47. Breakdown Voltage vs. Temperature.



Typical Performance Characteristics (cont.)

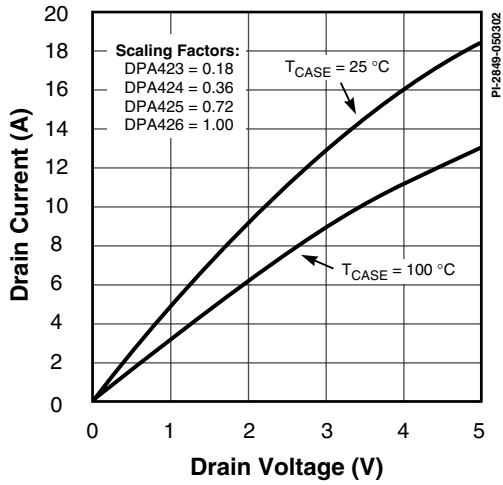


Figure 48. Output Characteristics.

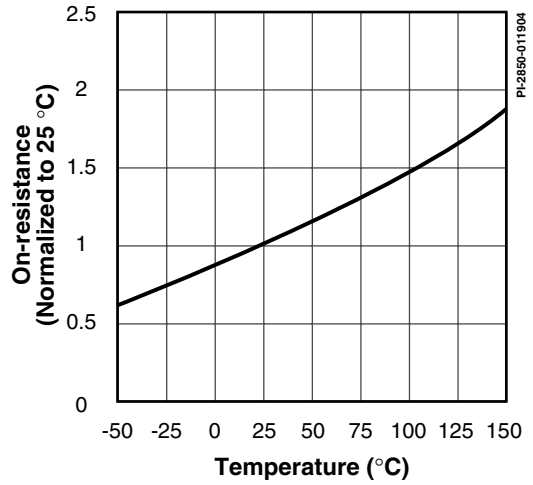


Figure 49. On-Resistance vs. Temperature.

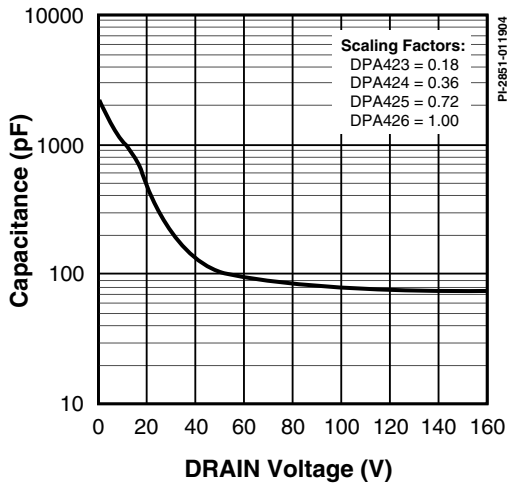


Figure 50.  $C_{oss}$  vs. DRAIN Voltage.

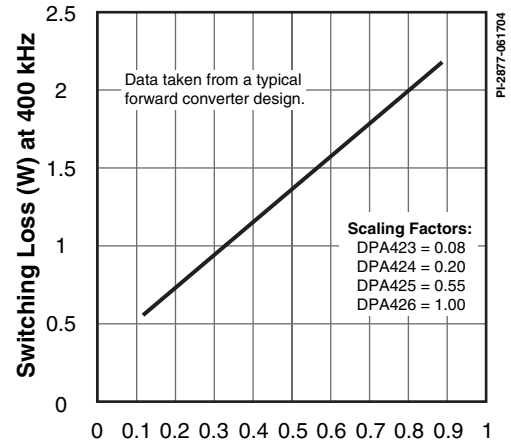
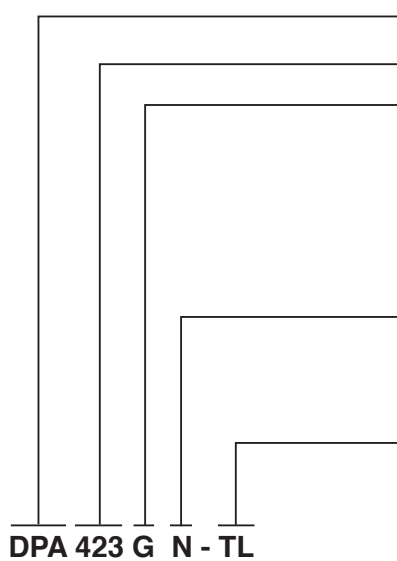


Figure 51. Typical Switching Loss.

PART ORDERING INFORMATION



|  |  |                       |
|--|--|-----------------------|
| <b>DPA-Switch Product Family</b>         |  |                       |
| <b>Series Number</b>                     |  |                       |
| <b>Package Identifier</b>                |  |                       |
| G  | Plastic Surface Mount DIP  | (423, 424 & 425 only) |
| P  | Plastic DIP  |                       |
| R  | Plastic TO-263-7C (available only with TL option)                              |                       |
| S  | S-PAK (available only with TL option)  |                       |
| <b>Lead Finish</b>                       |  |                       |
| Blank                                    | Standard (Sn Pb) not available with S-PAK                                      |                       |
| N  | Pure Matte Tin (Pb-Free) (P & G packages and S-PAK)                            |                       |
| <b>Tape &amp; Reel and Other Options</b> |  |                       |
| Blank                                    | Standard Configurations  |                       |
| TL                                       | Tape & Reel, (G package and S-PAK: 1000 min./mult., R package: 750 min./mult.) |                       |

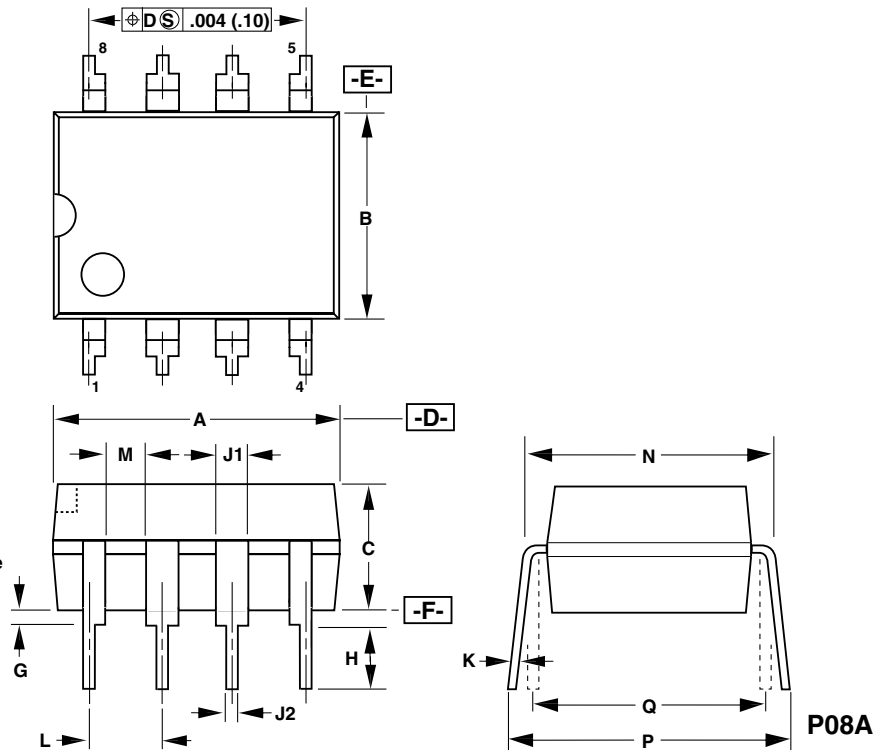


DIP-8

| DIM | inches      | mm         |
|-----|-------------|------------|
| A   | 0.367-0.387 | 9.32-9.83  |
| B   | 0.240-0.260 | 6.10-6.60  |
| C   | 0.125-0.145 | 3.18-3.68  |
| G   | 0.015-0.040 | 0.38-1.02  |
| H   | 0.120-0.140 | 3.05-3.56  |
| J1  | 0.057-0.068 | 1.45-1.73  |
| J2  | 0.014-0.022 | 0.36-0.56  |
| K   | 0.008-0.015 | 0.20-0.38  |
| L   | 0.100 BSC   | 2.54 BSC   |
| M   | 0.030 (MIN) | 0.76 (MIN) |
| N   | 0.300-0.320 | 7.62-8.13  |
| P   | 0.300-0.390 | 7.62-9.91  |
| Q   | 0.300 BSC   | 7.62 BSC   |

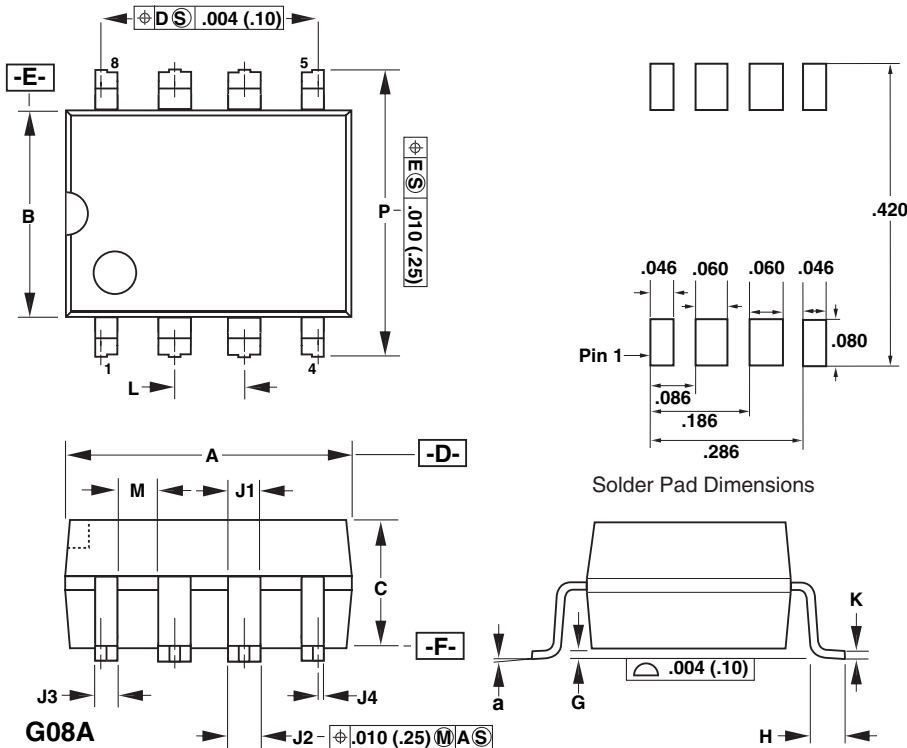
Notes:

- Package dimensions conform to JEDEC specification MS-001-AB for standard dual in-line (DIP) package .300 inch row spacing (PLASTIC) 8 leads (issue B, 7/85).
- Controlling dimensions are inches.
- Dimensions shown do not include mold flash or other protrusions. Mold flash or protrusions shall not exceed .006 (.15) on any side.
- D, E and F are reference datums on the molded body.



PI-2076-101102

SMD-8



| DIM | inches      | mm         |
|-----|-------------|------------|
| A   | 0.367-0.387 | 9.32-9.83  |
| B   | 0.240-0.260 | 6.10-6.60  |
| C   | 0.125-0.145 | 3.18-3.68  |
| G   | 0.004-0.012 | 0.10-0.30  |
| H   | 0.036-0.044 | 0.91-1.12  |
| J1  | 0.057-0.068 | 1.45-1.73  |
| J2  | 0.048-0.053 | 1.22-1.35  |
| J3  | 0.032-0.037 | 0.81-0.94  |
| J4  | 0.007-0.011 | 0.18-0.28  |
| K   | 0.010-0.012 | 0.25-0.30  |
| L   | 0.100 BSC   | 2.54 BSC   |
| M   | 0.030 (MIN) | 0.76 (MIN) |
| P   | 0.372-0.388 | 9.45-9.86  |
| a   | 0-8°        | 0-8°       |

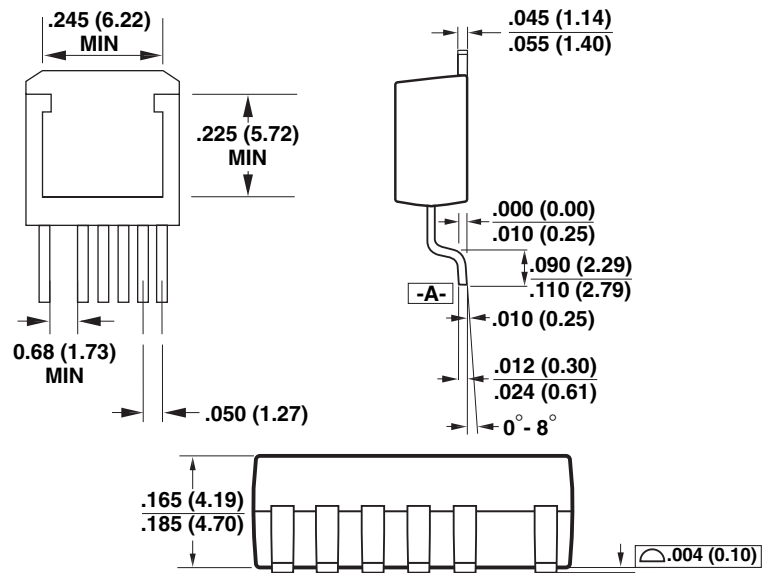
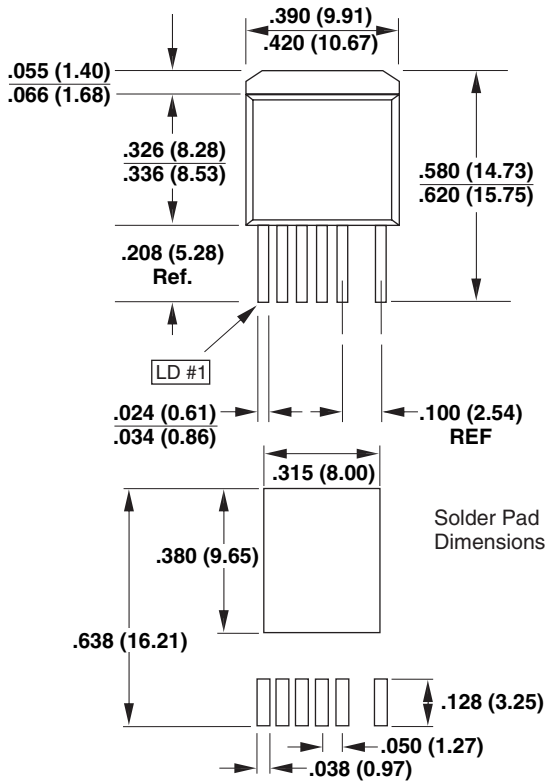
Notes:

- Package dimensions conform to JEDEC specification MS-001-AB (issue B, 7/85) except for lead shape and size.
- Controlling dimensions are inches.
- Dimensions shown do not include mold flash or other protrusions. Mold flash or protrusions shall not exceed .006 (.15) on any side.
- D, E and F are reference datums on the molded body.

PI-2077-041003



TO-263-7C



- Notes:
1. Package Outline Exclusive of Mold Flash & Metal Burr.
  2. Package Outline Inclusive of Plating Thickness.
  3. Foot Length Measured at Intercept Point Between Datum A Lead Surface.
  4. Controlling Dimensions are in Inches. Millimeter Dimensions are shown in Parentheses.
  5. Minimum metal to metal spacing at the package body for the omitted pin locations is .068 in. (1.73 mm).

R07C

PI-2664-122004



| Revision | Notes  | Date  |
|----------|--|-------|
| F        | 1) Final release data sheet.   | 6/02  |
| G        | 2) Updated Figure 25 and text description.   | 9/02  |
| H        | 1) Corrected missing text on page 9 and corrected Table 4.<br>2) Updated R package description.<br>3) Revised thermal impedances ( $\theta_{JA}$ ), $DC_{MIN}$ , $V_{FP}$ , $I_{FP}$ and $BV_{DSS}$ .<br>4) Updated Figure 25 and description in text. | 4/03  |
| I        | 1) Corrected text errors on pp. 1, 7 and 20.   | 5/03  |
| J        | 1) Figure 25 and description in text updated.  | 5/03  |
| K        | 1) Added P and G packages.   | 1/04  |
| L        | 1) Corrected Figure 3.   | 4/04  |
| M        | 1) Added package information to Table 1.<br>2) Revised Figure 13.<br>3) Added lead-free ordering information.  | 12/04 |
| N        | 1) Minor error corrections.  | 2/05  |
| O        | 1) Added S-PAK.  | 7/05  |
| P        | 1) Added notes to Table 6.   | 7/05  |



## For the latest updates, visit our website: [www.powerint.com](http://www.powerint.com)

Power Integrations reserves the right to make changes to its products at any time to improve reliability or manufacturability. Power Integrations does not assume any liability arising from the use of any device or circuit described herein. POWER INTEGRATIONS MAKES NO WARRANTY HEREIN AND SPECIFICALLY DISCLAIMS ALL WARRANTIES INCLUDING, WITHOUT LIMITATION, THE IMPLIED WARRANTIES OF MERCHANTABILITY, FITNESS FOR A PARTICULAR PURPOSE, AND NON-INFRINGEMENT OF THIRD PARTY RIGHTS.

### PATENT INFORMATION

The products and applications illustrated herein (including transformer construction and circuits external to the products) may be covered by one or more U.S. and foreign patents, or potentially by pending U.S. and foreign patent applications assigned to Power Integrations. A complete list of Power Integrations' patents may be found at [www.powerint.com](http://www.powerint.com). Power Integrations grants its customers a license under certain patent rights as set forth at <http://www.powerint.com/ip.htm>.

### LIFE SUPPORT POLICY

POWER INTEGRATIONS' PRODUCTS ARE NOT AUTHORIZED FOR USE AS CRITICAL COMPONENTS IN LIFE SUPPORT DEVICES OR SYSTEMS WITHOUT THE EXPRESS WRITTEN APPROVAL OF THE PRESIDENT OF POWER INTEGRATIONS. As used herein:

1. A Life support device or system is one which, (i) is intended for surgical implant into the body, or (ii) supports or sustains life, and (iii) whose failure to perform, when properly used in accordance with instructions for use, can be reasonably expected to result in significant injury or death to the user.
2. A critical component is any component of a life support device or system whose failure to perform can be reasonably expected to cause the failure of the life support device or system, or to affect its safety or effectiveness.

The PI logo, **TOPSwitch**, **TinySwitch**, **LinkSwitch**, **DPA-Switch**, **EcoSmart**, **PI Expert** and **PI FACTS** are trademarks of Power Integrations, Inc. Other trademarks are property of their respective companies. ©Copyright 2005, Power Integrations, Inc.

## Power Integrations Worldwide Sales Support Locations

### WORLD HEADQUARTERS

5245 Hellyer Avenue  
San Jose, CA 95138, USA.  
Main: +1-408-414-9200  
Customer Service:  
Phone: +1-408-414-9665  
Fax: +1-408-414-9765  
*e-mail: [usasales@powerint.com](mailto:usasales@powerint.com)*

### CHINA (SHANGHAI)

Rm 807-808A,  
Pacheer Commercial Centre,  
555 Nanjing Rd. West  
Shanghai, P.R.C. 200041  
Phone: +86-21-6215-5548  
Fax: +86-21-6215-2468  
*e-mail: [chinasales@powerint.com](mailto:chinasales@powerint.com)*

### CHINA (SHENZHEN)

Rm 2206-2207, Block A,  
Electronics Science & Technology Bldg.  
2070 Shennan Zhong Rd.  
Shenzhen, Guangdong,  
China, 518031  
Phone: +86-755-8379-3243  
Fax: +86-755-8379-5828  
*e-mail: [chinasales@powerint.com](mailto:chinasales@powerint.com)*

### GERMANY

Rueckertstrasse 3  
D-80336, Munich  
Germany  
Phone: +49-89-5527-3910  
Fax: +49-89-5527-3920  
*e-mail: [eurosales@powerint.com](mailto:eurosales@powerint.com)*

### INDIA

261/A, Ground Floor  
7th Main, 17th Cross,  
Sadashivanagar  
Bangalore, India 560080  
Phone: +91-80-5113-8020  
Fax: +91-80-5113-8023  
*e-mail: [indiasales@powerint.com](mailto:indiasales@powerint.com)*

### ITALY

Via Vittorio Veneto 12  
20091 Bresso MI  
Italy  
Phone: +39-028-928-6000  
Fax: +39-028-928-6009  
*e-mail: [eurosales@powerint.com](mailto:eurosales@powerint.com)*

### JAPAN

Keihin Tatemono 1st Bldg 2-12-20  
Shin-Yokohama, Kohoku-ku,  
Yokohama-shi, Kanagawa ken,  
Japan 222-0033  
Phone: +81-45-471-1021  
Fax: +81-45-471-3717  
*e-mail: [japansales@powerint.com](mailto:japansales@powerint.com)*

### KOREA

RM 602, 6FL  
Korea City Air Terminal B/D, 159-6  
Samsung-Dong, Kangnam-Gu,  
Seoul, 135-728, Korea  
Phone: +82-2-2016-6610  
Fax: +82-2-2016-6630  
*e-mail: [koreasales@powerint.com](mailto:koreasales@powerint.com)*

### SINGAPORE

51 Newton Road,  
#15-08/10 Goldhill Plaza,  
Singapore, 308900  
Phone: +65-6358-2160  
Fax: +65-6358-2015  
*e-mail: [singaporesales@powerint.com](mailto:singaporesales@powerint.com)*

### TAIWAN

5F, No. 318, Nei Hu Rd., Sec. 1  
Nei Hu Dist.  
Taipei, Taiwan 114, R.O.C.  
Phone: +886-2-2659-4570  
Fax: +886-2-2659-4550  
*e-mail: [taiwansales@powerint.com](mailto:taiwansales@powerint.com)*

### EUROPE HQ

1st Floor, St. James's House  
East Street, Farnham  
Surrey, GU9 7TJ  
United Kingdom  
Phone: +44 (0) 1252-730-140  
Fax: +44 (0) 1252-727-689  
*e-mail: [eurosales@powerint.com](mailto:eurosales@powerint.com)*

### APPLICATIONS HOTLINE

World Wide +1-408-414-9660

### APPLICATIONS FAX

World Wide +1-408-414-9760



Компания «Океан Электроники» предлагает заключение долгосрочных отношений при поставках импортных электронных компонентов на взаимовыгодных условиях!

Наши преимущества:

- Поставка оригинальных импортных электронных компонентов напрямую с производств Америки, Европы и Азии, а так же с крупнейших складов мира;
- Широкая линейка поставок активных и пассивных импортных электронных компонентов (более 30 млн. наименований);
- Поставка сложных, дефицитных, либо снятых с производства позиций;
- Оперативные сроки поставки под заказ (от 5 рабочих дней);
- Экспресс доставка в любую точку России;
- Помощь Конструкторского Отдела и консультации квалифицированных инженеров;
- Техническая поддержка проекта, помощь в подборе аналогов, поставка прототипов;
- Поставка электронных компонентов под контролем ВП;
- Система менеджмента качества сертифицирована по Международному стандарту ISO 9001;
- При необходимости вся продукция военного и аэрокосмического назначения проходит испытания и сертификацию в лаборатории (по согласованию с заказчиком);
- Поставка специализированных компонентов военного и аэрокосмического уровня качества (Xilinx, Altera, Analog Devices, Intersil, Interpoint, Microsemi, Actel, Aeroflex, Peregrine, VPT, Syfer, Eurofarad, Texas Instruments, MS Kennedy, Miteq, Cobham, E2V, MA-COM, Hittite, Mini-Circuits, General Dynamics и др.);

Компания «Океан Электроники» является официальным дистрибьютором и эксклюзивным представителем в России одного из крупнейших производителей разъемов военного и аэрокосмического назначения «JONHON», а так же официальным дистрибьютором и эксклюзивным представителем в России производителя высокотехнологичных и надежных решений для передачи СВЧ сигналов «FORSTAR».



## JONHON

«JONHON» (основан в 1970 г.)

Разъемы специального, военного и аэрокосмического назначения:

(Применяются в военной, авиационной, аэрокосмической, морской, железнодорожной, горно- и нефтедобывающей отраслях промышленности)

«FORSTAR» (основан в 1998 г.)

ВЧ соединители, коаксиальные кабели, кабельные сборки и микроволновые компоненты:

(Применяются в телекоммуникациях гражданского и специального назначения, в средствах связи, РЛС, а так же военной, авиационной и аэрокосмической отраслях промышленности).



Телефон: 8 (812) 309-75-97 (многоканальный)

Факс: 8 (812) 320-03-32

Электронная почта: [ocean@oceanchips.ru](mailto:ocean@oceanchips.ru)

Web: <http://oceanchips.ru/>

Адрес: 198099, г. Санкт-Петербург, ул. Калинина, д. 2, корп. 4, лит. А