

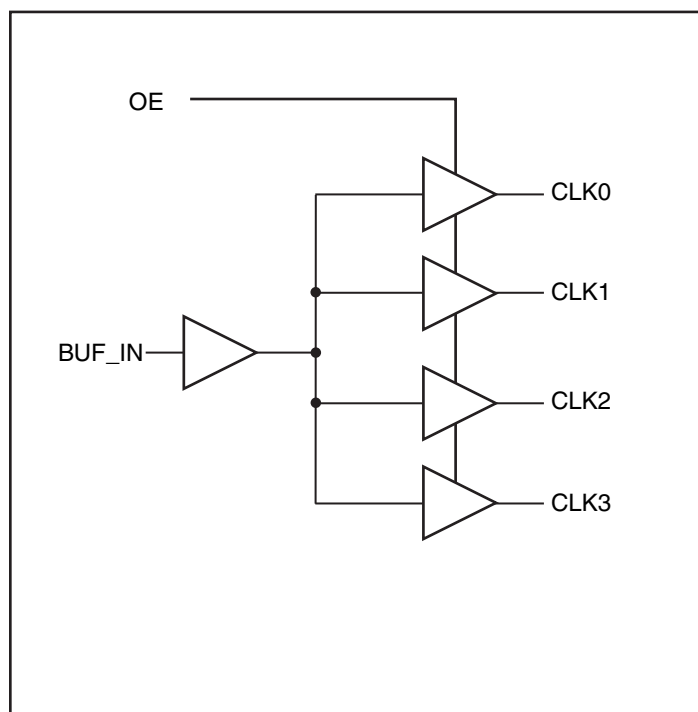
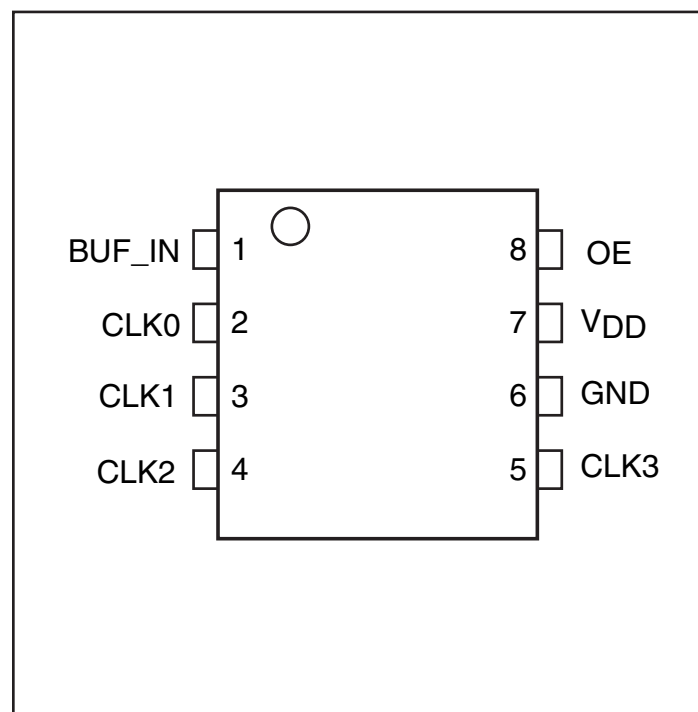
Features

- High-speed, low-noise, non-inverting 1:4 buffer
- Maximum Frequency up to 180 MHz
- Low output skew < 70ps (1.8V, 2.5V), <100ps (1.5V)
- Low propagation delay < 3.0ns (1.8V, 2.5V), <3.5ns (1.5V)
- Optimized duty cycle
- 1.5V - 2.5V supply voltage
- 3.3V Tolerant input clock
- Packages (Pb-free & Green available):
–8-pin SOIC (W)

Description

The PI6C10804 is a 1.5V to 2.5V high-speed, low-noise 1:4 non-inverting clock buffer. The key goal in designing the PI6C10804 is to target networking applications that require low-skew, low-jitter, and high-frequency clock distribution.

Providing output-to-output skew as low as 70ps, the PI6C10804 is an ideal clock distribution device for synchronous systems. Designing synchronous networking systems requires a tight level of skew from a large number of outputs.

Block Diagram

Pin Configuration

Pin Description

Pin Name	Description
BUF_IN	Input
CLK [0:3]	Outputs
GND	Ground
VDD	Power
OE	Output Enable

2.5V Absolute Maximum Ratings (Above which the useful life may be impaired. For user guidelines only, not tested.)

Storage Temperature.....	-65°C to +150°C
V _{DD} Voltage	-0.5V to +3.6V
Output Voltage.....	-0.5V to V _{DD} +0.5V
Input Voltage	3.6V

Note:
Stresses greater than those listed under MAXIMUM RATINGS may cause permanent damage to the device. This is a stress rating only and functional operation of the device at these or any other conditions above those indicated in the operational sections of this specification is not implied. Exposure to absolute maximum rating conditions for extended periods may affect reliability.

2.5V DC Characteristics (Over Operating Range: V_{DD} = 2.5V ± 0.2V, T_A = -40° to 85°C)

Parameters	Description	Test Conditions ⁽¹⁾	Min.	Typ. ⁽²⁾	Max.	Units
V _{DD}	Supply Voltage		2.3	2.5	2.7	V
V _{IH}	Input HIGH Voltage	Logic HIGH level	1.7		3.6	V
V _{IL}	Input LOW Voltage	Logic LOW level	-0.3		0.7	
I _I	Input Current	V _{DD} = Max, V _{IN} = V _{DD} or GND			15	μA
V _{OH}	Output High Voltage	V _{DD} = Min., V _{IN} = V _{IH} or V _{IL}	I _{OH} = -1mA	2.0		V
			I _{OH} = -2mA	1.7		
			I _{OH} = -8mA	1.5		
V _{OL}	Output LOW Voltage	V _{DD} = Min., V _{IN} = V _{IH} or V _{IL}	I _{OL} = 1mA		0.4	V
			I _{OL} = 2mA		0.7	
			I _{OL} = 8mA		0.7	

Notes:

- For Max. or Min. conditions, use appropriate operating range values.
- Typical values are at V_{DD} = 2.5V, +25°C ambient and maximum loading.

2.5V AC Characteristics (Over Operating Range: V_{DD} = 2.5V ± 0.2V, T_A = -40° to 85°C)

Parameters	Description	Test Conditions ⁽¹⁾	Min.	Typ	Max.	Units
F _{IN}	Input Frequency		0		250	MHz
t _R /t _F	CLKn Rise/Fall Time	20% to 80%			1	ns
t _{PLH} , t _{PHL} ⁽²⁾	Propagation Delay BUF_IN to CLKn	C _L = 5pF, 125 MHz Outputs are measured @ V _{DD} /2	1.0	1.5	2.0	ns
t _{SK(O)} ⁽³⁾	Output to Output Skew between any two outputs of the same device @ same transition				70	ps
t _{SK(P)} ⁽³⁾	Pulse Skew between opposite transitions (t _{PHL} -t _{PLH}) of the same output			100	200	
t _{SK(T)} ⁽³⁾	Part to Part Skew between two identical outputs of different parts on the same board ⁽⁴⁾				300	
t _{dc in}	Duty Cycle In @ 1ns edge rate		45		55	%
t _{dc out}	Duty Cycle Out		40		60	

Notes:

- See test circuit and waveforms.
- Minimum limits are guaranteed but not tested on Propagation Delays.
- Skew measured at worse cast temperature (max. temp).
- Identical conditions: loading, transitions, supply voltage, temperature, package type and speed grade.

1.8V Absolute Maximum Ratings (Above which the useful life may be impaired. For user guidelines only, not tested.)

Storage Temperature.....	-65°C to +150°C
V _{DD} Voltage	-0.5V to +2.5V
Output Voltage.....	-0.5V to V _{DD} +0.5V
Input Voltage	3.6V

Note:
Stresses greater than those listed under MAXIMUM RATINGS may cause permanent damage to the device. This is a stress rating only and functional operation of the device at these or any other conditions above those indicated in the operational sections of this specification is not implied. Exposure to absolute maximum rating conditions for extended periods may affect reliability.

1.8V DC Characteristics (Over Operating Range: V_{DD} = 1.8V ± 0.15V, T_A = -40° to 85°C)

Parameters	Description	Test Conditions ⁽¹⁾	Min.	Typ. ⁽²⁾	Max.	Units
V _{DD}	Supply Voltage		1.65	1.8	1.95	V
V _{IH}	Input HIGH Voltage	Logic HIGH level	0.65*V _{DD}		3.6	
V _{IL}	Input LOW Voltage	Logic LOW level	-0.3		0.35*V _{DD}	
I _I	Input Current ⁽³⁾	V _{DD} = Max, V _{IN} = V _{DD} or GND	I pin		15	µA
V _{OH}	Output High Voltage	V _{DD} = Min., V _{IN} = V _{IH} or V _{IL}	I _{OH} = -2mA	1.3		V
			I _{OH} = -8mA	1.2		
V _{OL}	Output LOW Voltage	V _{DD} = Min., V _{IN} = V _{IH} or V _{IL}	I _{OL} = 2mA		0.45	
			I _{OL} = -8mA		0.45	

Notes:

1. For Max. or Min. conditions, use appropriate operating V_{DD} and T_A values.
2. Typical values are at V_{DD} = 1.8V, +25°C ambient and maximum loading.
3. This parameter is determined by device characterization but is not production tested.

1.8V AC Characteristics (Over Operating Range: V_{DD} = 1.8V ± 0.15V, T_A = -40° to 85°C)

Parameters	Description	Test Conditions ⁽¹⁾	Min.	Typ	Max.	Units	
F _{IN}	Input Frequency		0		180	MHz	
t _R /t _F	CLKn Rise/Fall Time	20% to 80%			1	ns	
t _{PLH} , t _{PHL} ⁽²⁾	Propagation Delay BUF_IN to CLKn	C _L = 5pF, 125 MHz Outputs are measured @ V _{DD} /2	1.0	2.0	3.0		
t _{SK(O)} ⁽³⁾	Output to Output Skew between any two outputs of the same device @ same transition				70	ps	
t _{SK(P)} ⁽³⁾	Pulse Skew between opposite transitions (t _{PHL} -t _{PLH}) of the same output			200	275		
t _{SK(T)} ⁽³⁾	Part to Part Skew between two identical outputs of different parts on the same board ⁽⁴⁾				300		
t _{dc_in}	Duty Cycle In @ 1ns edge rate			45		55	%
t _{dc_out}	Duty Cycle Out			40		60	

Notes:

1. See test circuit and waveforms.
2. Minimum limits are guaranteed but not tested on Propagation Delays.
3. Skew measured at worse cast temperature (max. temp).
4. Identical conditions: loading, transitions, supply voltage, temperature, package type and speed grade.

Switching Characteristics ($V_{DD} = 2.5V \pm 0.2V$ or $1.8V \pm 0.15V$, $T_A = 105^\circ C$)

Parameters	Description	Test Conditions	Min.	Typ.	Max.	Units
$t_{R,tF}$	CLKn Rise/Fall Time	20% to 80%, $C_L = 15pF$, 125MHz		0.8	1.4	ns

Note: 1. All other AC and DC characteristics are identical to the 1.8V and 2.5V sections.

1.5V Absolute Maximum Ratings (Above which the useful life may be impaired. For user guidelines only, not tested.)

Storage Temperature.....	-65°C to +150°C
V_{DD} Voltage	-0.5V to +2.6V
Output Voltage.....	-0.5V to $V_{DD}+0.5V$
Input Voltage	3.6V

Note:

Stresses greater than those listed under MAXIMUM RATINGS may cause permanent damage to the device. This is a stress rating only and functional operation of the device at these or any other conditions above those indicated in the operational sections of this specification is not implied. Exposure to absolute maximum rating conditions for extended periods may affect reliability.

1.5V DC Characteristics (Over Operating Range: $V_{DD} = 1.5V \pm 0.075V$, $T_A = -40^\circ$ to $85^\circ C$)

Parameters	Description	Test Conditions ⁽¹⁾	Min.	Typ. ⁽²⁾	Max.	Units
V_{DD}	Supply Voltage		1.4	1.5	1.6	V
V_{IH}	Input HIGH Voltage	Logic HIGH level	1.17		3.6	
V_{IL}	Input LOW Voltage	Logic LOW level	-0.3		0.63	
I_I	Input Current	$V_{DD} = \text{Max}, V_{IN} = V_{DD}$ or GND			15	μA
V_{OH}	Output High Voltage	$V_{DD} = \text{Min.}, V_{IN} = V_{IH}$ or V_{IL}	$I_{OH} = -2mA$	1.05		V
			$I_{OH} = -8mA$	0.75		
V_{OL}	Output LOW Voltage	$V_{DD} = \text{Min.}, V_{IN} = V_{IH}$ or V_{IL}	$I_{OL} = 1mA$		0.4	
			$I_{OL} = 2mA$		0.35	
			$I_{OL} = 8mA$		0.35	

Notes:

- For Max. or Min. conditions, use appropriate operating range values.
- Typical values are at $V_{DD} = 1.5V$, $+25^\circ C$ ambient and maximum loading.

1.5V AC Characteristics (Over Operating Range: $V_{DD} = 1.5V \pm 0.075V$, $T_A = -40^\circ$ to $85^\circ C$)

Parameters	Description	Test Conditions ⁽¹⁾	Min.	Typ	Max.	Units	
F_{IN}	Input Frequency		0		200	MHz	
$t_{R,tF}$	CLKn Rise/Fall Time	20% to 80%			1.5	ns	
t_{PLH}, t_{PHL} ⁽²⁾	Propagation Delay BUF_IN to CLKn		1.0	1.5	3.0		
$t_{SK(O)}$ ⁽³⁾	Output to Output Skew between any two outputs of the same device @ same transition	$C_L = 5pF$, 125 MHz Outputs are measured @ $V_{DD}/2$			100	ps	
$t_{SK(T)}$ ⁽³⁾	Part to Part Skew between two identical outputs of different parts on the same board ⁽⁴⁾				300		
t_{dc_in}	Duty Cycle In @ 1ns edge rate			45		55	%
t_{dc_out}	Duty Cycle Out			40		60	

Notes:

- See test circuit and waveforms.
- Minimum limits are guaranteed but not tested on Propagation Delays.
- Skew measured at worse cast temperature (max. temp).
- Identical conditions: loading, transitions, supply voltage, temperature, package type and speed grade.

Power Supply Characteristics

Parameters	Description	Test Conditions ⁽¹⁾		Min.	Typ. ⁽²⁾	Max.	Units
I _{DDQ}	Quiescent Power Supply Current	V _{DD} = 2.7V	V _{IN} = GND or V _{DD}			10	μA
		V _{DD} = 1.95V				10	
I _{DD_TOT}	Total Power Supply Current	V _{DD} = 2.7V	All Outputs Toggling, C _L = 5pF, F _{IN} = 125MHz			20	mA
		V _{DD} = 1.95V				15	
ΔI _{CC}	Static Supply Current per inputs @ High Level	V _{DD} = 2.7V	V _{INx} = V _{DD} - 0.6V ⁽³⁾			200	μA
		V _{DD} = 1.95V	V _{INx} = V _{DD} - 0.6V ⁽³⁾			200	

Notes:

1. For Max. or Min. conditions, use appropriate value specified under Electrical Characteristics.
2. Typical values are at V_{DD} = 1.8V or 2.5V, and +25°C ambient.
3. Per TTL driven input (V_{IN} = V_{DD} - 0.6V); all other inputs at V_{DD} or GND.

Power Supply Characteristics

Parameters	Description	Test Conditions ⁽¹⁾		Min.	Typ. ⁽²⁾	Max.	Units
I _{DDQ}	Quiescent Power Supply Current	V _{DD} = 1.5V	V _{IN} = GND or V _{DD}			10	μA
I _{DD_TOT}	Total Power Supply Current	V _{DD} = 1.5V	All Outputs Toggling, C _L = 5pF, F _{IN} = 125MHz			15	mA

Notes:

1. For Max. or Min. conditions, use appropriate value specified under Electrical Characteristics.
2. Typical values are at V_{DD} = 1.2V or 1.5V, and +25°C ambient.

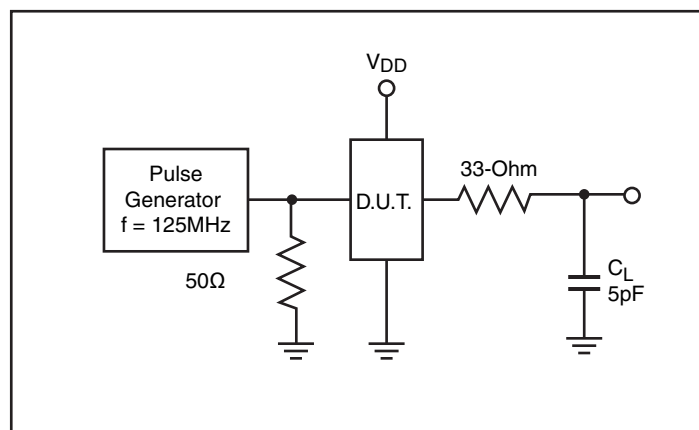
Capacitance (T_A = 25°C, f = 1 MHz)

Parameters ⁽¹⁾	Description	Test Conditions	Typ	Max.	Units
C _{IN}	Input Capacitance	V _{IN} = 0V	2.0	4	pF
C _{OUT}	Output Capacitance	V _{OUT} = 0V	1.7	6	

Note:

1. This parameter is determined by device characterization but is not production tested.

Test Circuits for All Outputs

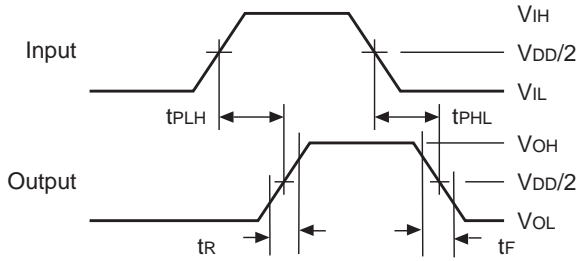


Definitions:

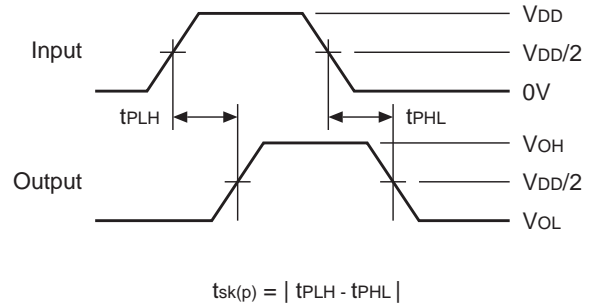
C_L = Load capacitance: includes jig and probe capacitance.

Switching Waveforms

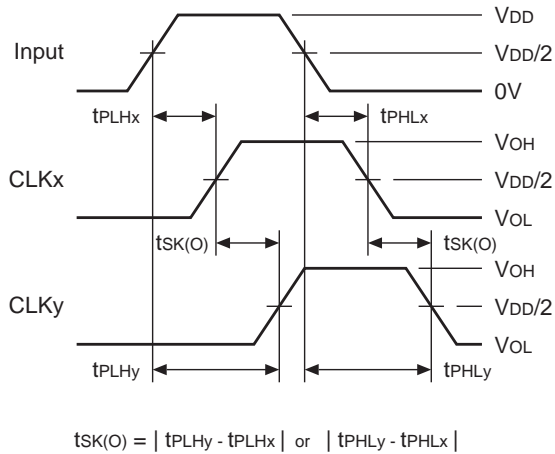
Propagation Delay



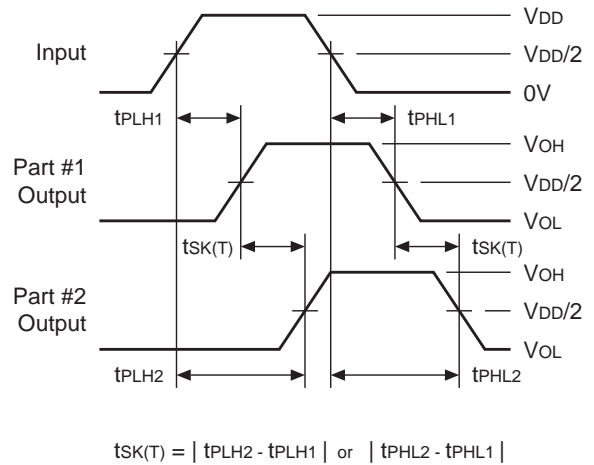
Pulse Skew – t_{SK(P)}



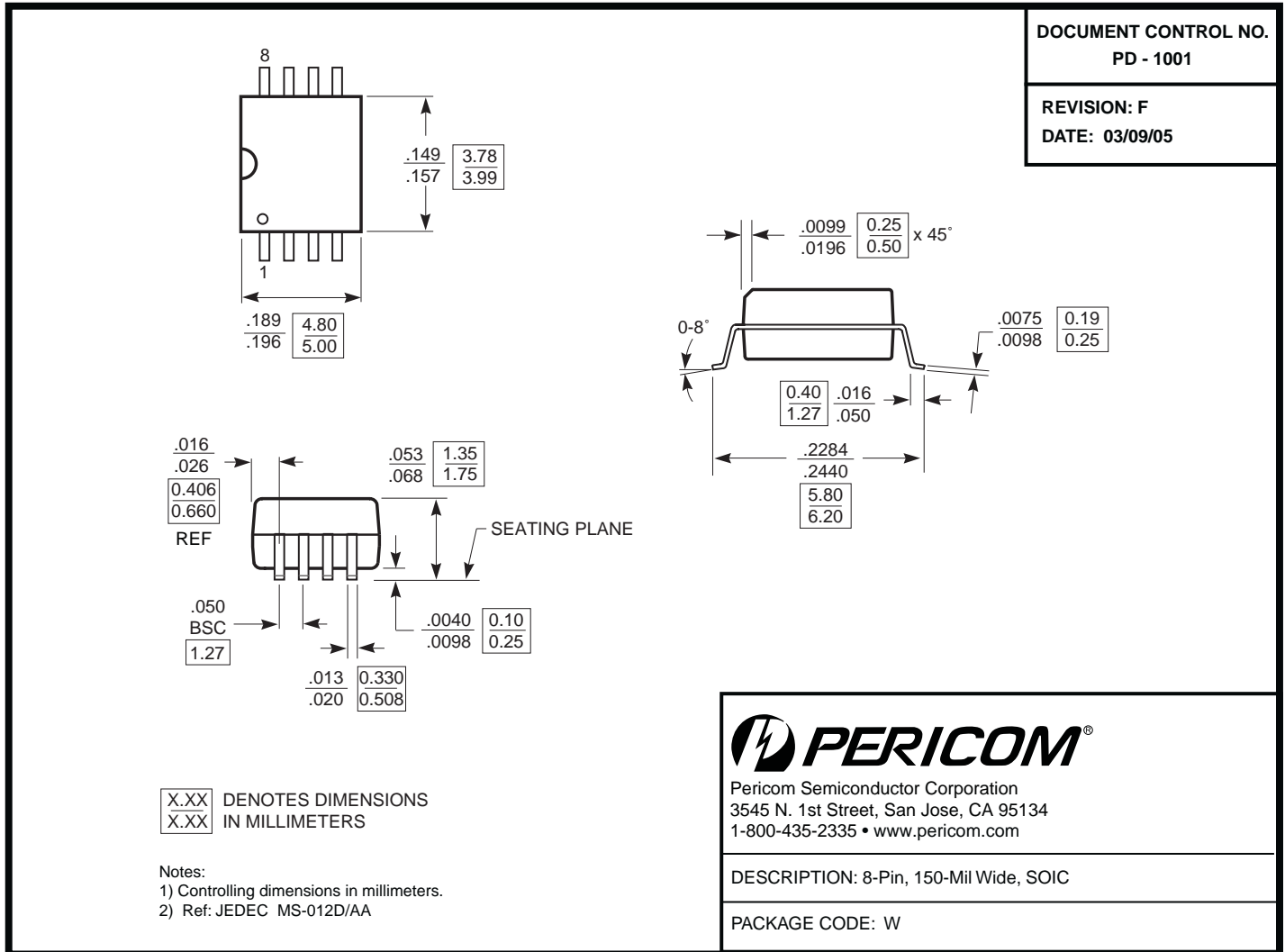
Output Skew – t_{SK(O)}



Package Skew – t_{SK(T)}



Packaging Mechanical: 8-Pin SOIC (W)



Note:

- For latest package info, please check: <http://www.pericom.com/products/packaging/mechanicals.php>

Ordering Information(1,2,3)

Ordering Code	Package Code	Package Type
PI6C10804WE	W	Pb-free & Green, 8-pin 153-mil wide SOIC

Notes:

1. Thermal Characteristics can be found on the web at www.pericom.com/packaging/
2. E = Pb-free and Green
3. X suffix = Tape/Reel

Mouser Electronics

Authorized Distributor

Click to View Pricing, Inventory, Delivery & Lifecycle Information:

[Diodes Incorporated:](#)

[PI6C10804WEX](#) [PI6C10804WE](#)

Компания «Океан Электроники» предлагает заключение долгосрочных отношений при поставках импортных электронных компонентов на взаимовыгодных условиях!

Наши преимущества:

- Поставка оригинальных импортных электронных компонентов напрямую с производств Америки, Европы и Азии, а так же с крупнейших складов мира;
- Широкая линейка поставок активных и пассивных импортных электронных компонентов (более 30 млн. наименований);
- Поставка сложных, дефицитных, либо снятых с производства позиций;
- Оперативные сроки поставки под заказ (от 5 рабочих дней);
- Экспресс доставка в любую точку России;
- Помощь Конструкторского Отдела и консультации квалифицированных инженеров;
- Техническая поддержка проекта, помощь в подборе аналогов, поставка прототипов;
- Поставка электронных компонентов под контролем ВП;
- Система менеджмента качества сертифицирована по Международному стандарту ISO 9001;
- При необходимости вся продукция военного и аэрокосмического назначения проходит испытания и сертификацию в лаборатории (по согласованию с заказчиком);
- Поставка специализированных компонентов военного и аэрокосмического уровня качества (Xilinx, Altera, Analog Devices, Intersil, Interpoint, Microsemi, Actel, Aeroflex, Peregrine, VPT, Syfer, Eurofarad, Texas Instruments, MS Kennedy, Miteq, Cobham, E2V, MA-COM, Hittite, Mini-Circuits, General Dynamics и др.);

Компания «Океан Электроники» является официальным дистрибьютором и эксклюзивным представителем в России одного из крупнейших производителей разъемов военного и аэрокосмического назначения «JONHON», а так же официальным дистрибьютором и эксклюзивным представителем в России производителя высокотехнологичных и надежных решений для передачи СВЧ сигналов «FORSTAR».



JONHON

«JONHON» (основан в 1970 г.)

Разъемы специального, военного и аэрокосмического назначения:

(Применяются в военной, авиационной, аэрокосмической, морской, железнодорожной, горно- и нефтедобывающей отраслях промышленности)

«FORSTAR» (основан в 1998 г.)

ВЧ соединители, коаксиальные кабели, кабельные сборки и микроволновые компоненты:

(Применяются в телекоммуникациях гражданского и специального назначения, в средствах связи, РЛС, а так же военной, авиационной и аэрокосмической отраслях промышленности).



Телефон: 8 (812) 309-75-97 (многоканальный)

Факс: 8 (812) 320-03-32

Электронная почта: ocean@oceanchips.ru

Web: <http://oceanchips.ru/>

Адрес: 198099, г. Санкт-Петербург, ул. Калинина, д. 2, корп. 4, лит. А