

## M8/M12 Circular Connectors



# M8/M12 Circular Connectors

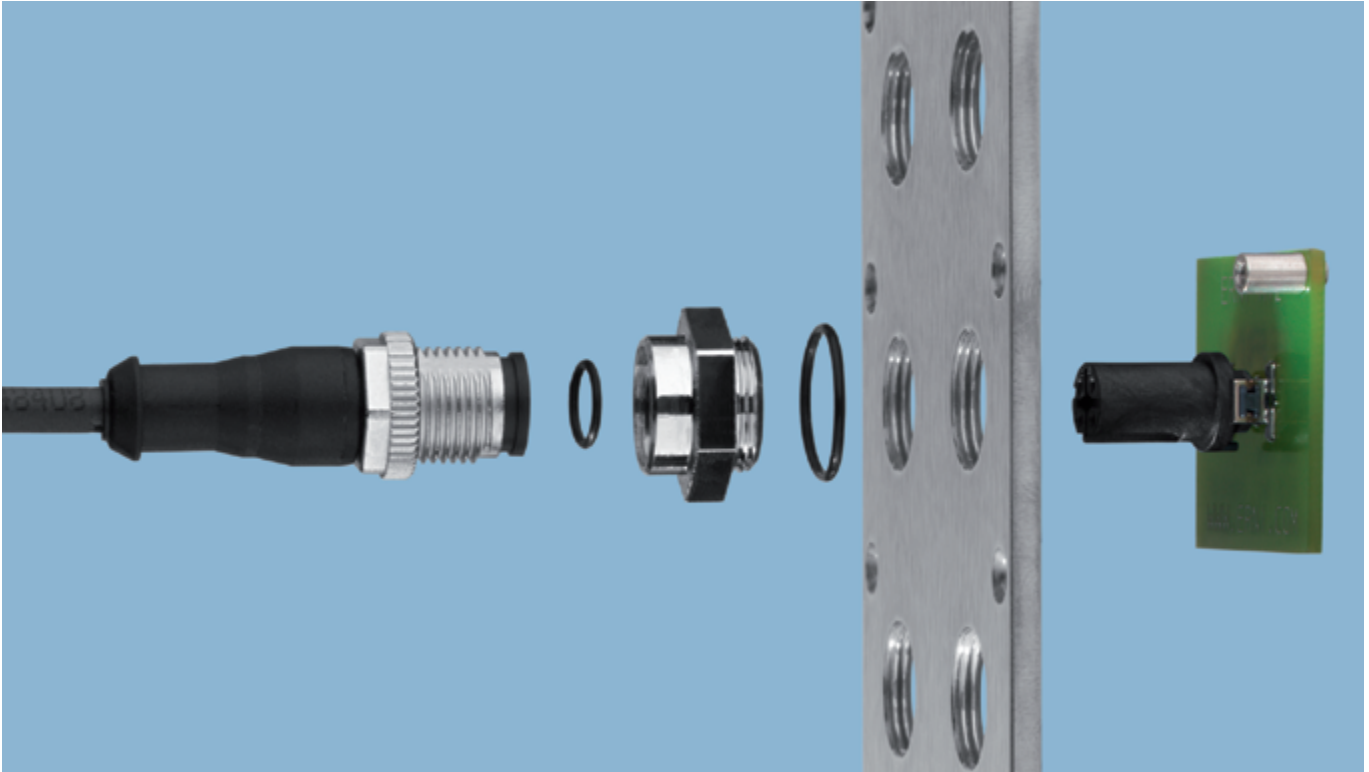
## Table of Contents



General	2
Coding	4
Installation Conditions	5
Electrical and Mechanical Characteristics PCB Connectors	10
Electrical and Mechanical Characteristics Cable Assemblies	12
Electrical and Mechanical Characteristics Quick Termination	13
Electrical and Mechanical Characteristics Accessories	14
Packaging	15
M8 Female PCB Connectors	16
M8 Male PCB Connectors	18
M8 Cable Assemblies	20
M8 Quick Termination	25
M12 Female PCB Connectors	28
M12 Male PCB Connectors	33
M12 Male PCB Connectors for Direct Integration	39
M12 Cable Assemblies	42
M12 Quick Termination	48
Accessories Adapter	50
Accessories T-Coupler	52
Accessories Panel Feed-Through	54
Part Number Index	56

# M8/M12 Circular Connectors

## General



Since the end of the ,80s, the trend of integrating more and more electronics and intelligence in machines has rapidly gained momentum. Whereas before, only controls in a switch cabinet regulated actuator or sensor systems by way of so-called I/O cards, today there is an increasing number of intelligent field devices outfitted with local I/Os and connected to the switch cabinet via a fieldbus or even have the entire control system on board.

Up until this point in time, M8 and M12 connectors were only referred to and used as sensor connectors. The open end of the sensor cable was routed in the switch cabinet and wired there. Today, sensors and actuators in the field frequently are connected to a passive I/O box or one with fieldbus capability. The harsh influences of the environment on these boxes make proven and, particularly, tightly sealed (IP 65/67) connectors a necessity. As such, it only made sense to use the M8 or M12 connector systems here as well, which already had established themselves in the field of sensor technology. Meanwhile, the M12 connector also is recommended as a fieldbus connector for almost all field bus applications. To make sure that nothing gets mixed up, there are a series of codes for assistance.

ERNI, the known specialist for printed circuit board connectors, has seized an opportunity. Today, there still is an insufficient number of connector types for these boards. As field devices are very specific, a wide variety of flexible modular connectors is required in order to implement these applications with as little effort and expense as possible.

### International Standards for M8/M12 connectors

- IEC 60947-5-2 low voltage sensor switch device
- IEC 61076-2-101 form factor M12 further polarizations for M12
- IEC 61076-2-104 form factor M8 further polarizations for M8
- Profibus installation guideline
- Interbus Club specification
- IAONA, Industrial Ethernet, planning and installation guide
- SafetyBUS
- DeviceNet

# M8/M12 Circular Connectors

## General



### PCB Connectors



ERNI has developed such a modular system with M8/12 connectors that is fully flexible in application and has SMT connections that are so robust that bulk packaging and feeding are possible. The connector has also been designed for tape-on-reel packaging. The concept allows connectors to be produced at various heights and with different pin configurations. The black insulator is made of high-temperature plastic, and is suitable for soldering with all the usual SMT soldering procedures. The new M8/M12 connectors are designed for lead-free processing, which is mandatory since July 2006. Especially cost cutting by reduction of printed circuit board surface is achieved. In specific applications, two printed circuit boards can be replaced by one. A pick & place pad for female connectors is not required while using a gripper or special pipette.

### Cable Assemblies



As a completion to the product portfolio ERNI Electronics also offers cable assemblies for the connection of sensors/actuators or other automation systems devices such as I/O distribution boxes. The standard product range covers pre-assembled, over-moulded circular connectors of sizes M8 and M12 either as interconnection of two circular connectors or as a cord set having an open end of line.

In addition, the portfolio comprises of field-attachable connectors for tool-less cable termination, T-coupler, panel feed-throughs and adapter for quick and cost-efficient connection in the field. ERNI extends the variety with different cable qualities that meet the most versatile industrial requirements and therefore are applicable for a wide range of use. PVC as a competitive and economic solution or PUR (UL/CSA approved), halogenfree and UV resistant, for highly demanding applications in drag chains and harsh environments – where operational reliability is crucial. Innovative product features like the self-securing screw locking guarantee vibration-proof and secure connection. The coupling nut additionally combines a knurled surface with a spanner flat suitable for standard wrenches.

Different configurations, designs and codings are available from stock. All parts meet IP67 requirements (IEC 60529) to ensure protection against dust and water immersion. ERNI's pre-assembled cable assemblies use standard-wise two cable qualities in five different lengths. Further options are possible on request.

#### PVC

- qualified cable for medium mechanical load and usage of non-recurrent stress, i.e. for assembly lines
- easy to dismantle
- good chemical resistance
- limited resistance against abrasion and lubricants
- the competitive and economic solution for less demanding applications

#### PUR

- cable for heavy-duty applications in harsh environments and continuous stress, i.e. during metal cutting operations
- drag chain capable
- highly resistant against abrasion
- very good resistance against oil, lubricants, coolants and other aggressive chemicals
- halogen-free, hydrolysis and UV resistant
- flame retardant
- reliable solution for highly demanding applications; UL/ CSA approved

As a proven specialist for printed circuit board connectors, ERNI Electronics has expanded its expertise towards industrial customers i.e. from automation technology and process industry by offering highly flexible and modular solutions, which consequently emphasize the idea of decentralised automation systems.

# M8/M12 Circular Connector

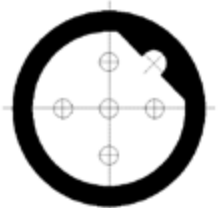
## Coding



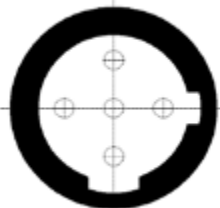
### Polarizations according to IEC 61076-2-101 for M12 male connectors



A - Polarization (sensor/actuator applications, DeviceNet CANopen)



B - Polarization (fieldbus applications like Profibus, Interbus)



C - Polarization / not introduced yet on the market



P - Polarization (4 Signal + PE) / not introduced yet on the market



D - Polarization (5 Pin for Data-Applications) / not introduced yet on the market



D - Polarization (4 Pin for Industrial Ethernet, Fast Ethernet 100 Mbit/s)



# M8/M12 Circular Connectors

## Installation Conditions

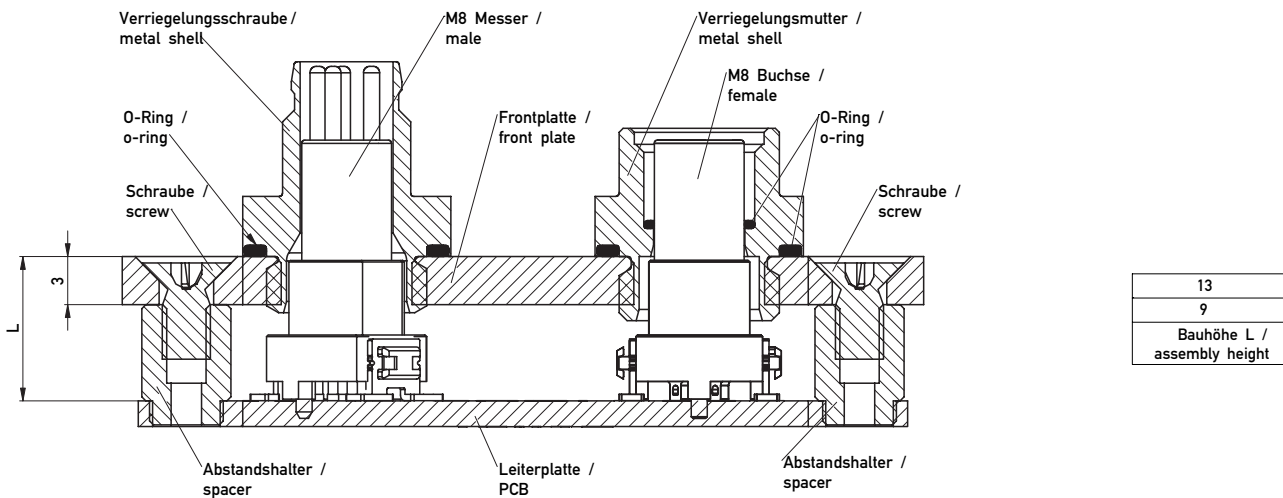


### Assembly of M8/M12 PCB connectors

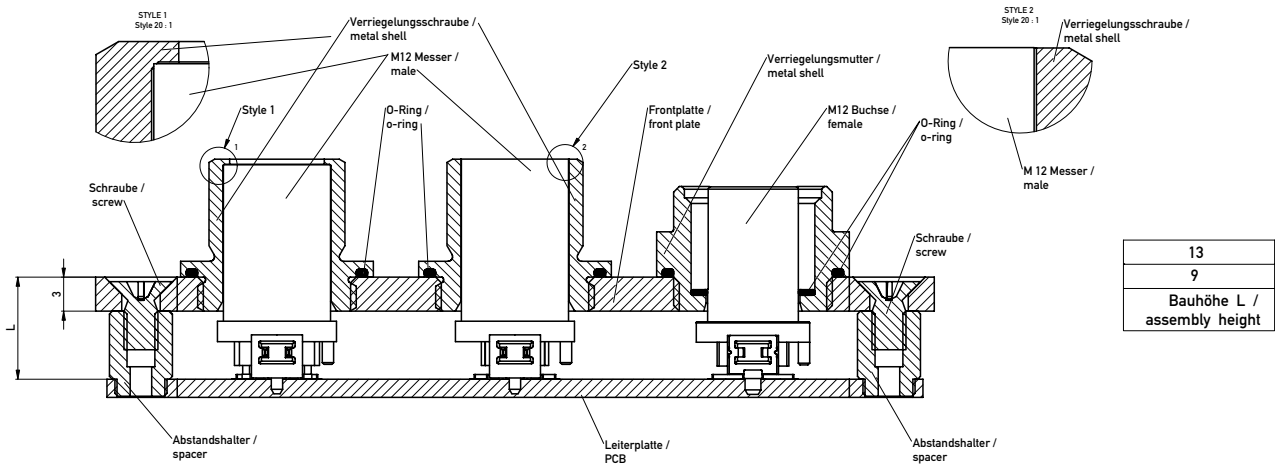
ERNI recommends two standard assembly heights. The usable connectors are the same for both heights. Based on a 3 mm thick front plate there are distances of 9 mm and 13 mm applicable with the according metal shells. The shells need to be fixed via thread in the front plate. To ensure the protection class IP65/67 it is necessary to remain within the recommended tolerances of 9 mm  $\pm 0.1$  or 13 mm  $\pm 0.1$ .

The 9 and 13mm distances allow the use of standard spacers which enable a proper fixing to the pcb.

### Examples for mixed M8 pcb assembly



### Examples for mixed M12 pcb assembly



**Style 1** prevents pressure on the o-ring when connectors are mated. The forces are absorbed by the metal shell, which protects the top surface of the pcb male connector from a direct o-ring contact.

**Style 2** allows more flexibility regarding tolerances in vertical direction.

Tightening force for all metal shells is 1.5 Nm  $\pm 0.2$

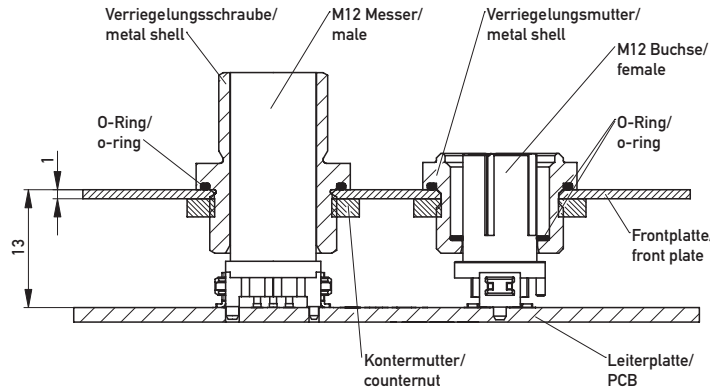
The mounting thread for M12 shell is M14x1 and for the M8 shell is M10x1. For mechanical issues the front panel thickness should be 3 mm thick and for proper sealing (O-Ring) the surface around the thread hole should have no damage and be of quality R max 16  $\mu\text{m}$ . Please regard thickness of platings in conjunction with front panel threads. Regarding EMV issues the front plate or its plating should be conductive with the metal shell and have at least an Ni plating.

# M8/M12 Circular Connectors

## Installation Conditions

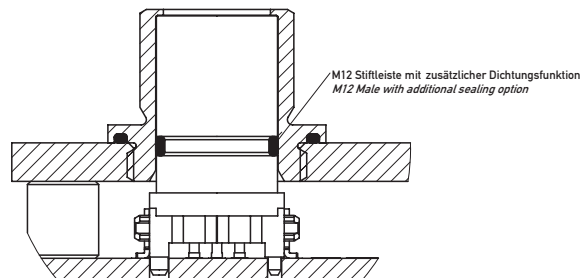


### Example for mixed M12 PCB assembly, front plate thickness 1 mm, assembled with counternut



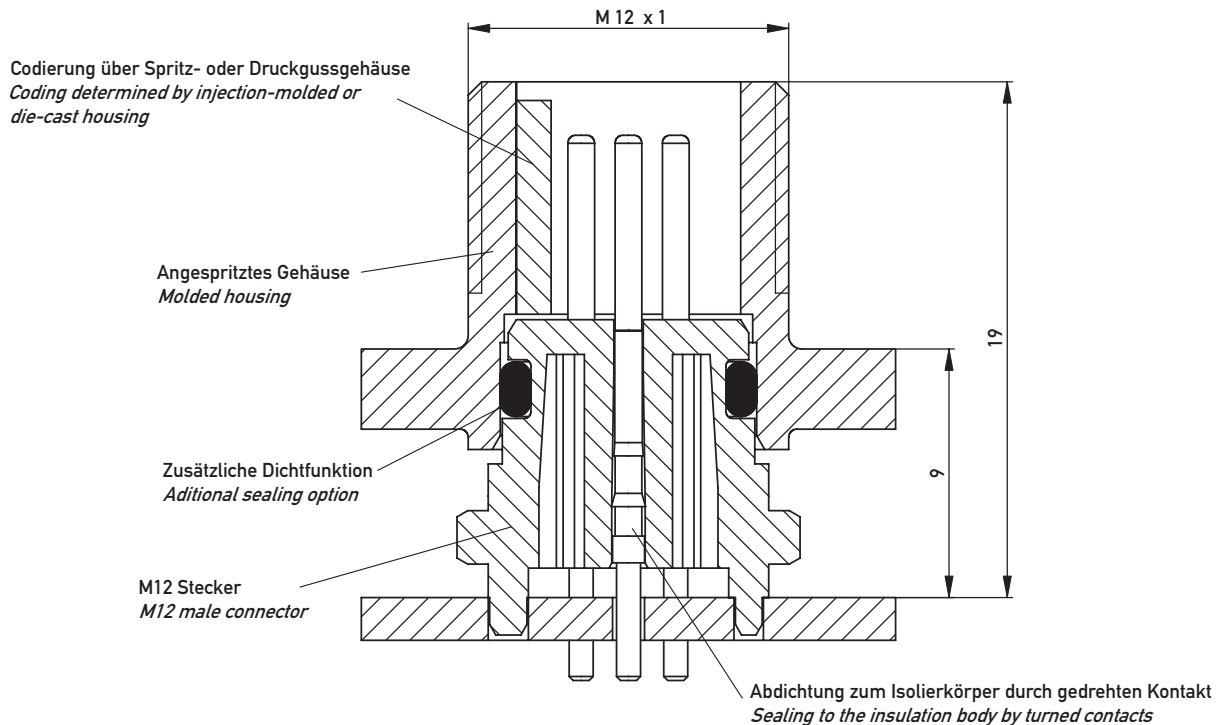
For the assembly option with a counternut there is no thread in the front plate necessary. This option is suitable for a front plate thickness beginning at 1 mm up to 4 mm.

### M12 male with additional sealing option.



Sensor and actuator applications in harsh industrial environment need to be sealed against liquids. Those devices have often abackfilling with gel or resin (epoxy) and therefore a sealing is required to keep the infill inside of the housing. On the other hand there are devices which should be protected against moisture and liquids from outside; especially also during installation if the connector interface is open (not connected to a cable). For this requirements the ERNI M12 male connector with additional sealing option is the best fit. A standard O-ring 7x1 can be used. The connector is always delivered without O-ring.

### M12 Connector for Direct Integration



Automation components make considerable contributions to efficiency increases in production but are also subject to extreme cost pressure. To save costs, this M12 connector version can be „directly“ integrated, meaning that the device housing thus becomes part of the connector since it can be produced in a single operation with the coding and the locking thread.

Potential savings: fully-automatic SMT soldering process and saving of threaded parts as well as their assembly share.

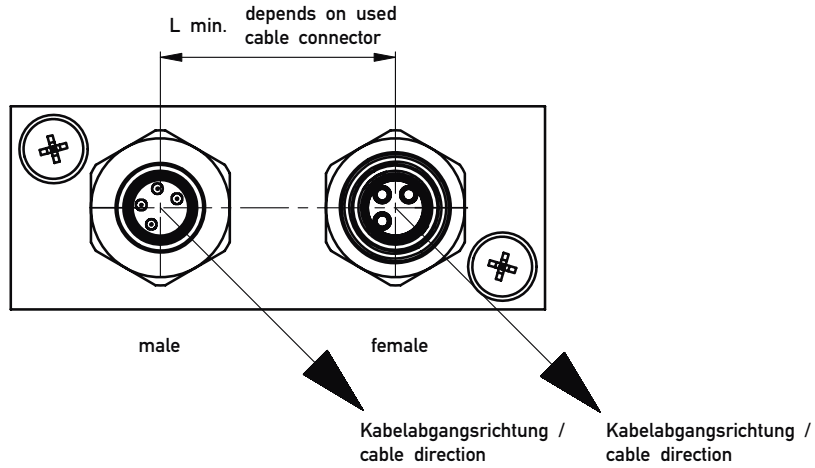
The coding is determined by means of the injection-molded or die-cast housing. Refer to the IEC 61076-2-101 for the dimensions for this. The sealing of the housing is performed via an O-ring, the assembly of which is optional. In addition, the turned contact seals the insulating body by means of special contours. The entire system is thereby water-proof, even when unconnected. Tightness with regard to casting compounds typically exists. This, however, must be tested in the respective project with the respective casting compound. Considerably different coefficients of expansion of the materials may lead to the necessity of the use of THR technology for better absorption of the forces that may affect the solder joints with casting technology due to temperature cycles and loads from vibrations and shocks.

# M8/M12 Circular Connectors

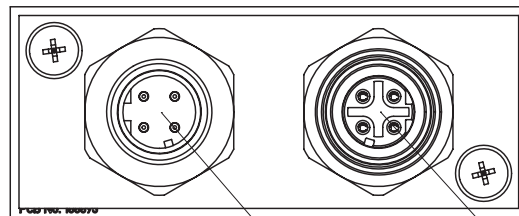
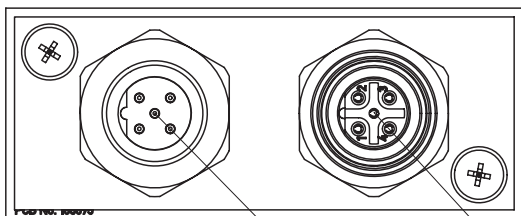
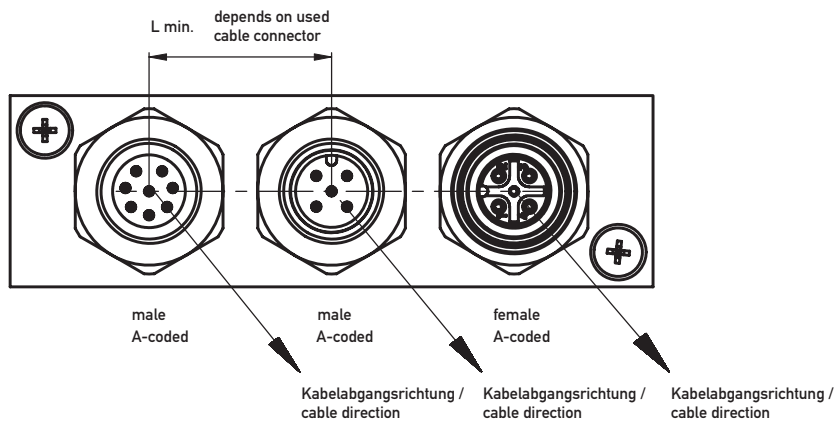
## Installation Conditions



### Front panel with recommended distance between M8 PCB connectors



### Front panel with recommended distance between M12 PCB connectors



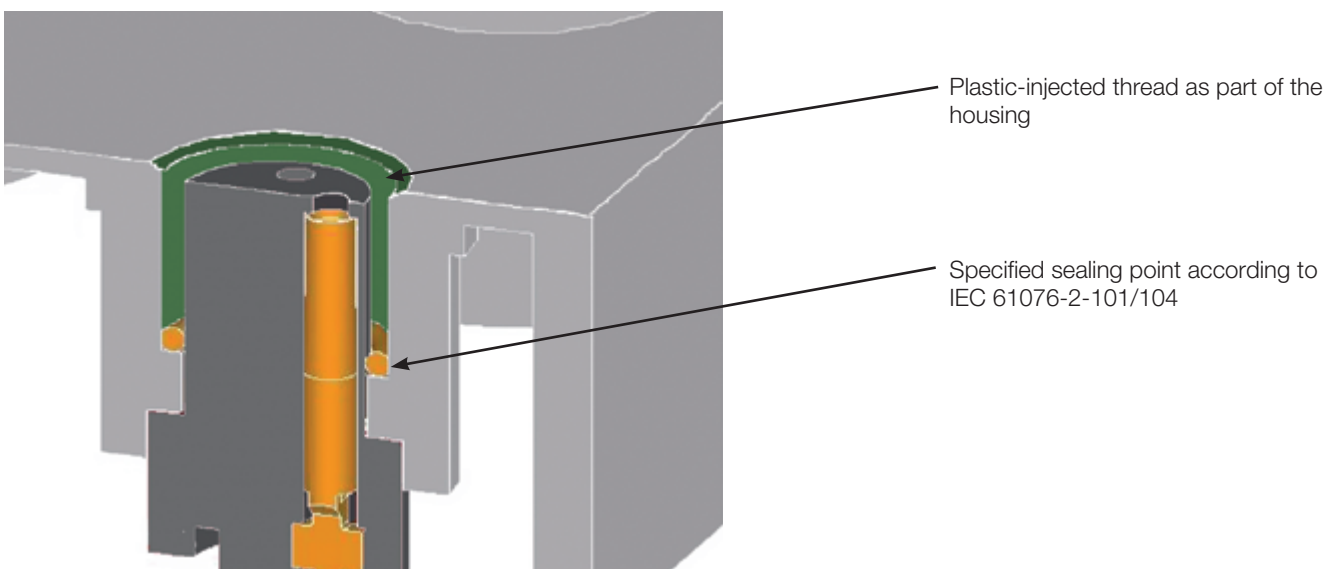
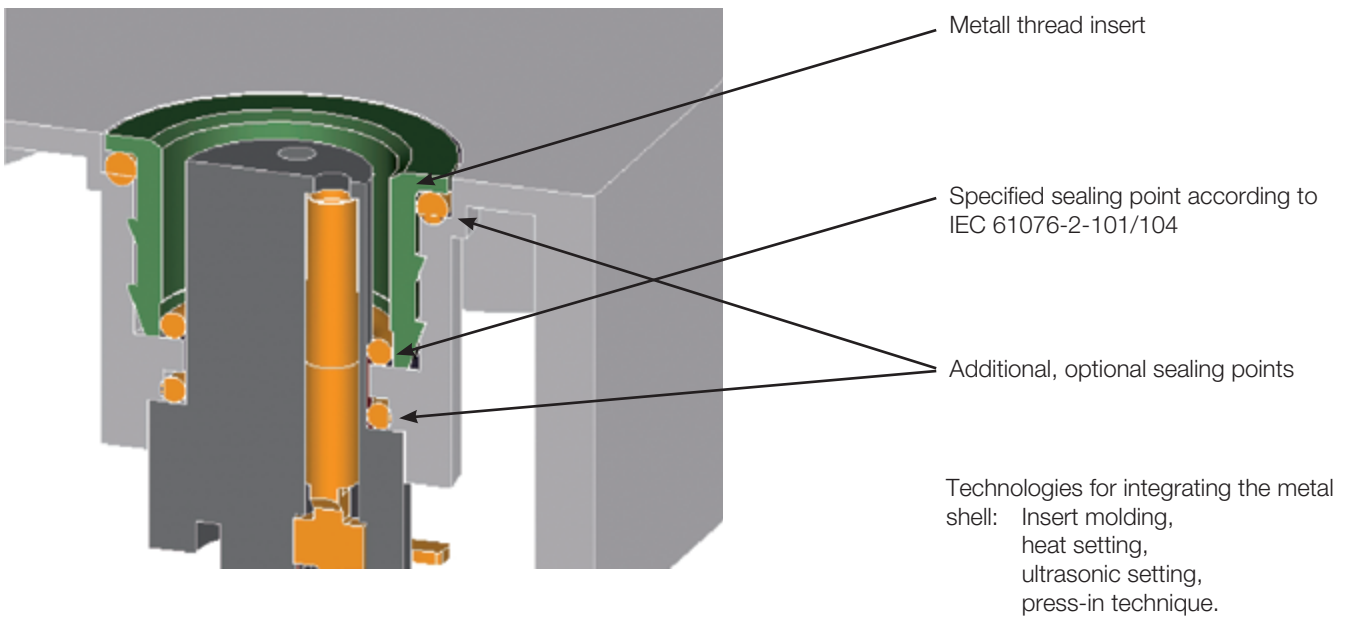
# M8/M12 Circular Connectors

## Installation Conditions



### Examples and sealing options for ERNI M8/M12 connectors combined with integrative metal shells

The solutions shown earlier should give further ideas, how the ERNI M8/M12 pcb connectors also could be used. The mentioned solutions are not offered yet as standard parts. Of course ERNI is able to offer similar customized parts on request.



## M8/M12 Circular Connectors

### Electrical and Mechanical Characteristics



	Standard	M8	M12
Number of pins		3, 4	4, 5, 8
<b>Technical data</b>			
Climate category	DIN EN 60068-1 test b	55/125/56	55/125/56
Temperature range		-55/125 °C	-55/125 °C
Current rating per contact	IEC60512 test 5b	By ambient temperature 20 °C 5.7 A 40 °C 4.8 A 70 °C 2.6 A	By ambient temperature 4, 5 pin 8 pin 20 °C 4.8 A 40 °C 4.1 A 2.0 A 70 °C 2.5 A
Air- and creepage distance		0.8 mm	1.1 mm (4, 5 pin) 1.0 mm (8 pin male); 0.4 mm (8 pin female)
Operating voltage	IEC 60664	<p>The permissible operating voltages depend on the customer application and on the applicable or specified safety requirements. Insulation coordination according to IEC 60664-1 has to be regarded for the complete electrical device. Therefore, the maximum creepage and clearance distances of the mated connectors are specified for consideration as a part of the whole current path.</p> <p>In practice, reductions in creepage or clearance distances may occur due to the conductive pattern of the printed board or the wiring used, and have to be taken into account separately. As a result the creepage and clearance distances for the application may be reduced compared to those of the connector.</p>	
Dielectric strength	IEC 60512 test 4a	3 pin: contact - contact 1000 V <sub>rms</sub> 4 pin: contact - contact 650 V <sub>rms</sub>	4 pin: contact - contact 1400 V <sub>rms</sub> 5 pin: contact - contact 1000 V <sub>rms</sub> 8 pin: contact - contact 650 V <sub>rms</sub>
Contact resistance	IEC 60512 test 2a	< 10 mΩ	< 10 mΩ
Insulation resistance	IEC 60512 test 3a	> 10 <sup>12</sup> Ω	> 10 <sup>12</sup> Ω
Vibration, sine	IEC 60512 test 6d	10 – 500 Hz 5 g	10 – 500 Hz 5 g
Contact disturbance (during vibration test)	IEC 60512 test 2e	< 1 μs	< 1 μs
Shock, halfsine	IEC 60512 test 6c	50 g 11 ms	50 g 11 ms
Contact disturbance (while shock test)	IEC 60512 test 2e	< 1 μs	< 1 μs
Mechanical operation (mating cycles)	IEC 60512 test 9a	> 100 mating cycles	> 100 mating cycles
Insertion and withdrawal force	IEC 60512 test 13b	max. 23 N	max. 23 N
Gauge retention force	IEC 60512 test 16e	> 0.2 N	> 0.2 N

## M8/M12 Circular Connectors

### Electrical and Mechanical Characteristics

#### PCB Connectors



	Standard	M8	M12
Number of pins		3, 4	4, 5, 8
<b>Process-conditions</b>			
Solder temperature max.	IEC 68-2-20		
Hand soldering temperature max.		3.5 s at 350 °C	3.5 s at 350 °C
Dip soldering temperature max.		10 s at 260 °C	10 s at 260 °C
Reflow soldering temperature max.	JEDEC J-STD-020C	20 - 40 s at 260 °C	20 - 40 s at 260 °C
Coplanarity of SMT		< 0.1 mm	< 0.1 mm
Stencil thickness min.		150 µm	150 µm
<b>Housing Materials</b>			
Plastic material (symbol)		LCP	LCP
CTI value	IEC 112	CTI 200	CTI 200
UL flame rating		UL 94 V-0	UL 94 V-0
UL file		E83005	E83005
<b>Contact Materials</b>			
Base material		Cu alloy	Cu alloy
Mating area		gold plated	gold plated
Termination area		gold plated (male) Sn (female)	gold plated (male) Sn (female)
<b>Environment compatibility</b>			
Recycling		no flame-retardent additives, no toxic additives allows easy recycling	
<b>Approvals</b>			
Protection class	IEC 60529	IP 67 (mated connector/cable)	IP 67 (mated connector/cable)

## M8/M12 Circular Connectors

### Electrical and Mechanical Characteristics

#### Cable Assemblies



	Standard	M8 Cable		M12 Cable	
Number of pins		3, 4		4, 5	
<b>Technical specification</b>					
Coding		A		A	
Connection		Screw locking M8x1 (max. tightening force 0.4 Nm)		Screw locking M12x1 (max. tightening force 0.6 Nm)	
<b>Cable data</b>					
Jacket material		PUR, PVC		PUR, PVC	
Jacket diameter		3 pins	4 pins	4 pins	5 pins
		PUR 4.1 mm	4.4 mm	PUR 4.7 mm	5.0 mm
		PVC 4.4 mm	4.7 mm	PUR,shielded 6.5 mm	7.0 mm
				PVC 5.2 mm	5.3 mm
Conductor cross-section		0.25 mm <sup>2</sup>		0.34 mm <sup>2</sup> 0.25 mm <sup>2</sup> + 0.34 mm <sup>2</sup> (5 pin, shielded)	
Bending radius		10 x jacket diameter		10 x jacket diameter 15 x jacket diameter (5 pin, PUR shielded)	
Temperature range		-25 ... +80°C (PUR) -5 ... +70°C (PVC)		-25 ... +80°C (PUR) -25 ... +75°C (PUR, shielded) -5 ... +70°C (PVC)	
<b>Materials</b>					
Contact		CuZn39Pb3F50 (male) CuNi2Si HV160U (female)		CuZn39Pb3F50 (male) CuNi2Si HV160U (female)	
Finishing, mating zone		gold plated		gold plated	
Screw material		Zinc die casting		Zinc die casting	
Screw plating		4-6 µm Ni		4-6 µm Ni	
<b>Electrical data</b>					
Operating voltage	IEC 60664	The permissible operating voltages depend on the customer application and on the applicable or specified safety requirements. Insulation coordination according to IEC 60664-1 has to be regarded for the complete electrical device. Therefore, the maximum creepage and clearance distances of the mated connectors are specified for consideration as a part of the whole current path. In practice, reductions in creepage or clearance distances may occur due to the conductive pattern of the printed board or the wiring used, and have to be taken into account separately. As a result the creepage and clearance distances for the application may be reduced compared to those of the connector.			
Current rating per contact	IEC 61076-2-101	max. 4 A		max. 4 A	
Dielectric strength	IEC 61076-2-101	max. 1.5 kV (depends on type)		max. 2.5 kV (depends on type)	
<b>Approvals</b>					
Protection class	IEC 60529	IP67		IP67	

## M8/M12 Circular Connectors

### Electrical and Mechanical Characteristics

#### Quick Termination



	Standard	M8 Quick Termination	M12 Quick Termination
Type		male, female	male, female
<b>Technical specification</b>			
Number of Pins		3, 4	4
Coding		A	A
Connection		Screw locking M8x1 (max. tightening force 0.4 Nm)	Screw locking M12x1 (max. tightening force 0.6 Nm)
Temperature range		-25 ... +85°C	-25 ... +85°C
<b>Cable termination</b>			
Termination		Quick termination (IDC)	Quick termination (IDC)
Cable jacket diameter		3.2 - 5.4 mm	4.0 - 5.1 mm
Wire diameter		1.0 - 1.7 mm	1.2 - 1.6 mm
Conductor cross-section		0.14 - 0.34 mm <sup>2</sup>	0.14 - 0.34 mm <sup>2</sup>
Diameter of individual strands		min. 0.1 mm	min. 0.1 mm
Reconnection (same cross-section)		10	10
<b>Materials</b>			
Contact		CuZn39Pb3F50 (male) CuNi2Si HV160U (female)	CuZn39Pb3F50 (male) CuNi2Si HV160U (female)
Finishing, mating zone		gold plated	gold plated
<b>Electrical data</b>			
Operating voltage	IEC 60664	The permissible operating voltages depend on the customer application and on the applicable or specified safety requirements. Insulation coordination according to IEC 60664-1 has to be regarded for the complete electrical device. Therefore, the maximum creepage and clearance distances of the mated connectors are specified for consideration as a part of the whole current path. In practice, reductions in creepage or clearance distances may occur due to the conductive pattern of the printed board or the wiring used, and have to be taken into account separately. As a result the creepage and clearance distances for the application may be reduced compared to those of the connector.	
Current rating per contact	IEC 61-076-2-101	max. 4 A	max. 4 A
Dielectric strength	IEC 61-076-2-101	0.8 kV	0.8 kV
<b>Approvals</b>			
Protection class	IEC 60529	IP67	IP67

## M8/M12 Circular Connectors

### Electrical and Mechanical Characteristics

#### Accessories



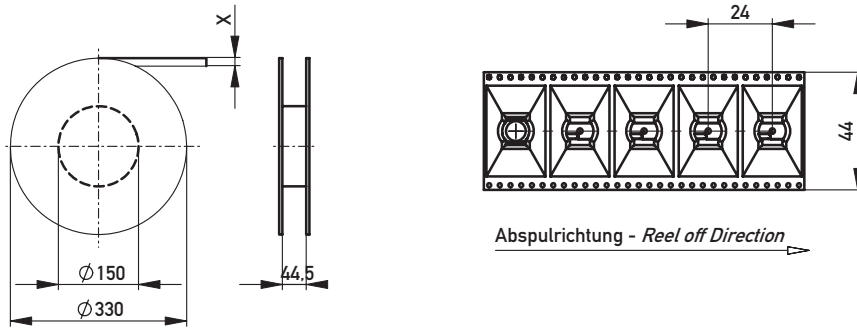
	Adapter	T-Coupler	Panel Feed-Through
Type	male, female	M12 male - 2 x M12 female, M12 male - 2 x M8 female	M12 female - M12 male
<b>Technical specification</b>			
Number of Pins	3, 4	5/4, 4/3	5
Coding	A	A	A, B
Connection	Screw locking M8x1 (0.4 Nm) M12x1 (0.6 Nm)	Screw locking M8x1 (0.4 Nm) M12x1 (0.6 Nm)	Screw locking M12x1 (0.6 Nm)
Temperature range	-25 ... +85°C	-25 ... +85°C	-25 ... +90°C
<b>Materials</b>			
Contact	CuZn39Pb3F50 (male) CuNi2Si HV160U (female)	CuZn39Pb3F50 (male) CuNi2Si HV160U (female)	CuZn39Pb3F50 (male) CuNi2Si HV160U (female)
Finishing, mating zone	gold plated	gold plated	gold plated
<b>Electrical data</b>			
Operating voltage	<p>The permissible operating voltages depend on the customer application and on the applicable or specified safety requirements.</p> <p>Insulation coordination according to IEC 60664-1 has to be regarded for the complete electrical device. Therefore, the maximum creepage and clearance distances of the mated connectors are specified for consideration as a part of the whole current path.</p> <p>In practice, reductions in creepage or clearance distances may occur due to the conductive pattern of the printed board or the wiring used, and have to be taken into account separately. As a result the creepage and clearance distances for the application may be reduced compared to those of the connector.</p>		
Current rating per contact	max. 4 A	max. 4 A	max. 4 A
Dielectric strength	0.8 kV	2.5 kV (M12 - 2 x M12) 0.8 kV (M12 - 2 x M8)	0.8 kV
<b>Approvals</b>			
Protection class	IP67	IP67	IP67

# M8/M12 Circular Connectors

## Packaging

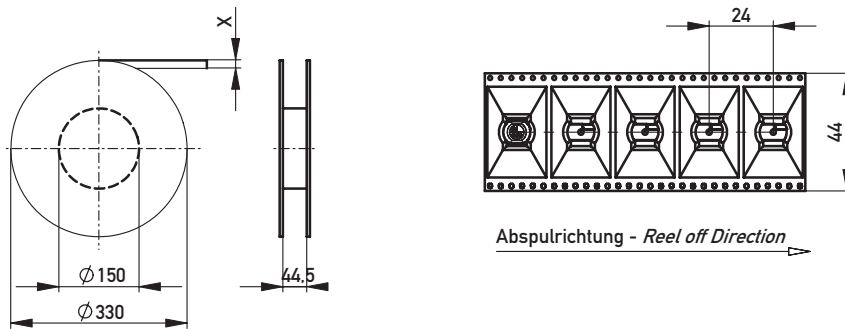


### Tape and reel packaging for female and male connectors M8



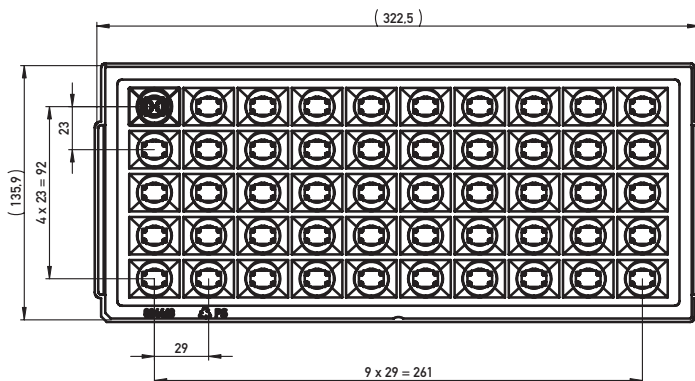
	X
M8 female	18,0
M8 male	21,0

### Tape and reel packaging for female and male connectors M12



	X
M12 female	21,3
M12 male	23,8

### Tray packaging for male connectors M12



# M8/M12 Circular Connectors

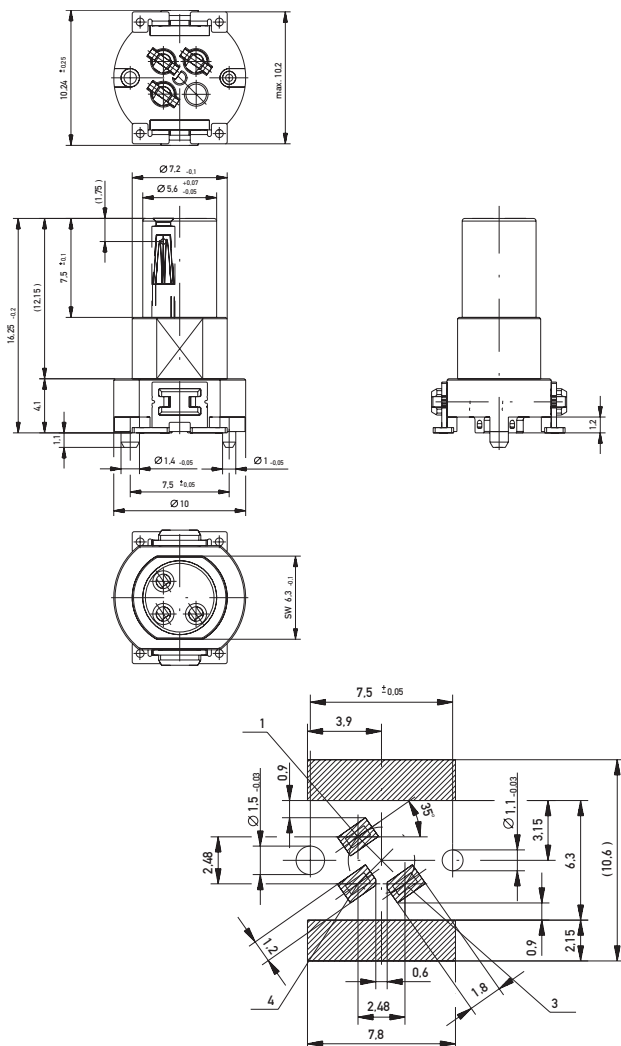
## M8 Female PCB Connectors



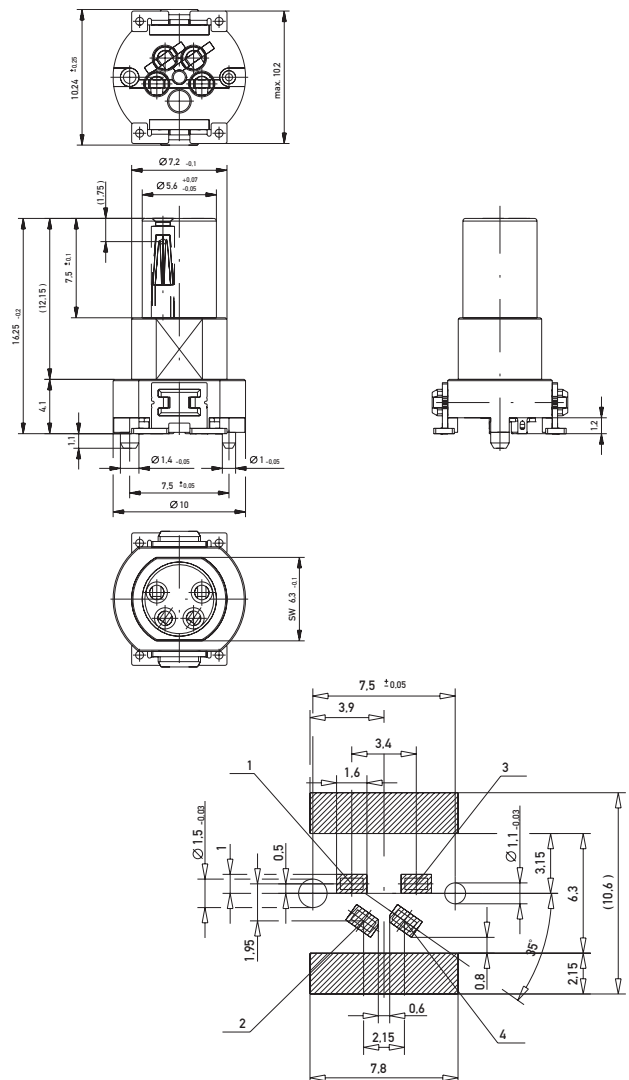
M8 connectors are well known for the connection of small form factor sensor/actuator devices like proximity sensors, photoelectric barriers, cylinder switches, vacuum valves or micro switches. For such miniature devices it is essential to have space-saving components for reaching compact designs. The M8 products from ERNI support this idea and meet the requirements to a high degree. The female connectors can be ideally used for integrative designs where the M8 locking thread is an integrated part of the housing. Female connectors are mostly used as an input connection for sensor signals.

### Dimensional Drawings

#### 3 Pin Version



#### 4 Pin Version



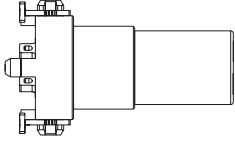
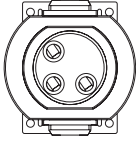
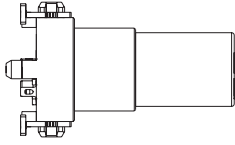
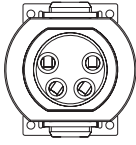
All dimensions in mm.

# M8/M12 Circular Connectors

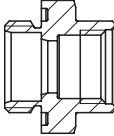

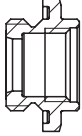

## M8 Female PCB Connectors



### Ordering Information

Configuration	No. of Pins	Assembly Height	Coding	Termination	Packaging	Part Number
						
Female M8	3	9/13 mm	A	SMT	Tape and reel/100 pcs	<b>224150</b>
Female M8	3	9/13 mm	A	SMT	Bulk/100 pcs	<b>234233</b>
						
Female M8	4	9/13 mm	A	SMT	Tape and reel/100 pcs	<b>224151</b>
Female M8	4	9/13 mm	A	SMT	Bulk/100 pcs	<b>234234</b>

### Accessories for M8 Female Connectors

Configuration	Assembly Height	Packaging	Part Number
			
Metal shell for M8 female connectors	9 mm	Bulk	<b>254154</b>
			
Metal shell for M8 female connectors	13 mm	Bulk	<b>284067</b>
O-ring for M8 connectors, 10x1	–	Bulk/100 pcs	<b>834898</b>
O-ring for M8 connectors, 5x0.8	–	Bulk/100 pcs	<b>835283</b>

# M8/M12 Circular Connectors

## M8 Male PCB Connectors

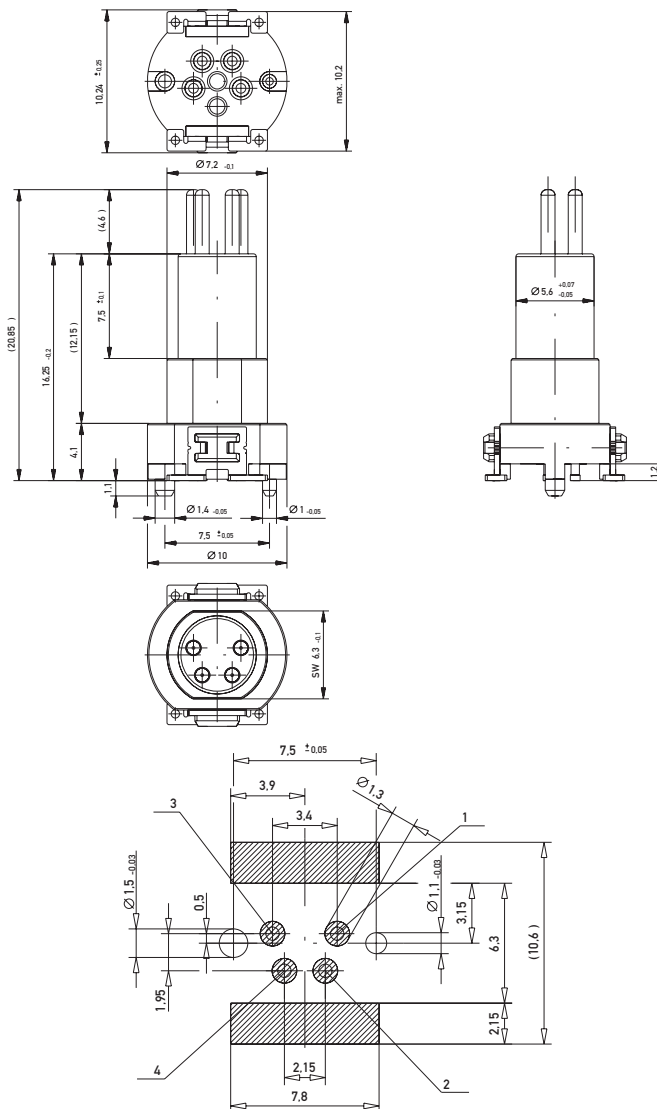


Consistent to M8 female versions, ERNI M8 male connectors succeed with the same concept: capability for fully-automated SMT soldering processes. The male version uses machined gold plated contacts ensuring at least 100 mechanical operations. Solid retention clips absorb mating forces and make the surface mounted device stress-resistant.

Male connectors are reliable for power supply interfaces in I/O boxes. Despite its small design the connector allows a current rating of 5.7 A at 20 °C (all pins fully loaded). It is also being used as bus connector where M12 B-coded types would need to much space.

### Dimensional Drawings

#### 4 Pin Version



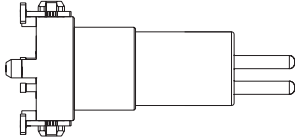
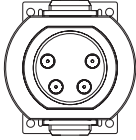
All dimensions in mm.

## M8/M12 Circular Connectors

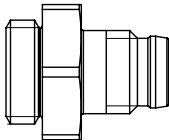
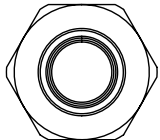
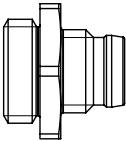
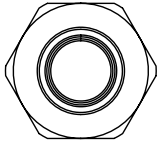
### M8 Male PCB Connectors



#### Ordering Information

Configuration	No. of Pins	Assembly Height	Coding	Termination	Packaging	Part Number
						
Male M8	4	9/13 mm	A	SMT	Tape and reel/80 pcs	<b>224152</b>
Male M8	4	9/13 mm	A	SMT	Bulk/100 pcs	<b>234235</b>

#### Accessories for M8 Male Connectors

Configuration	Assembly Height	Packaging	Part Number
			
Metal shell for M8 male connectors	9 mm	Bulk	<b>284409</b>
			
Metal shell for M8 male connectors	13 mm	Bulk	<b>284074</b>
O-ring for M8 connectors, 10x1	–	Bulk/100 pcs	<b>834898</b>

# M8/M12 Circular Connectors

## M8 Cable Assemblies



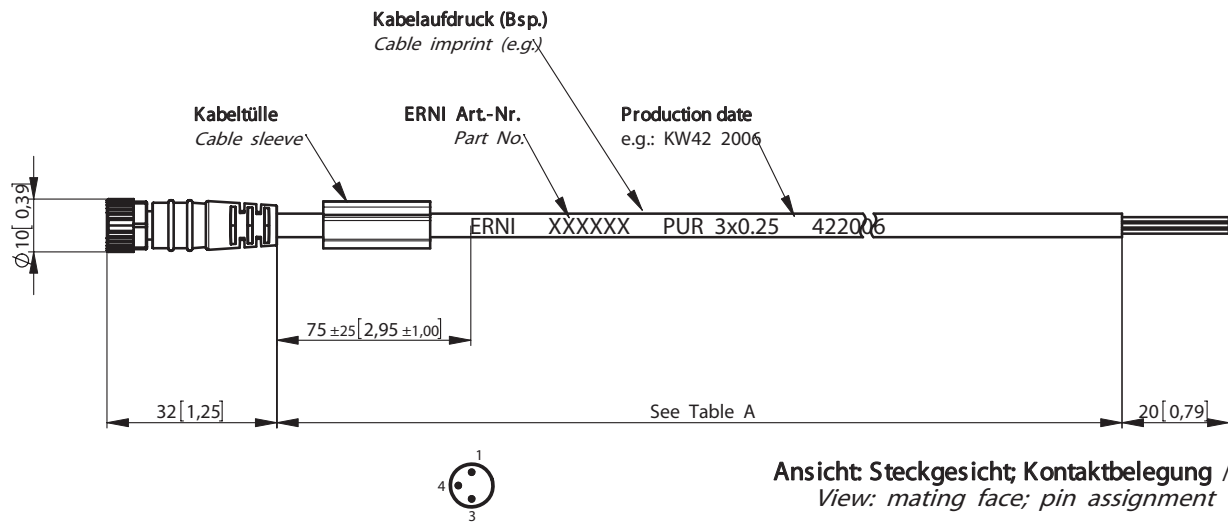
ERNI's M8 cable solutions fit to the according PCB counterpart and the threaded panel flange offered in addition.

The importance of this comprehensive solution offered by one supplier is that individual components are tested altogether. Even though there is a standard (IEC) applicable, small differences of individual components may cause problems, e.g. not achieving IP67. ERNI's solution is qualified and tested altogether and meets all IEC requirements. M8 cable assemblies are over-moulded and offered either as interconnection of two circular connectors or as a cord set having an open end of line. ERNI's portfolio covers further criteria:

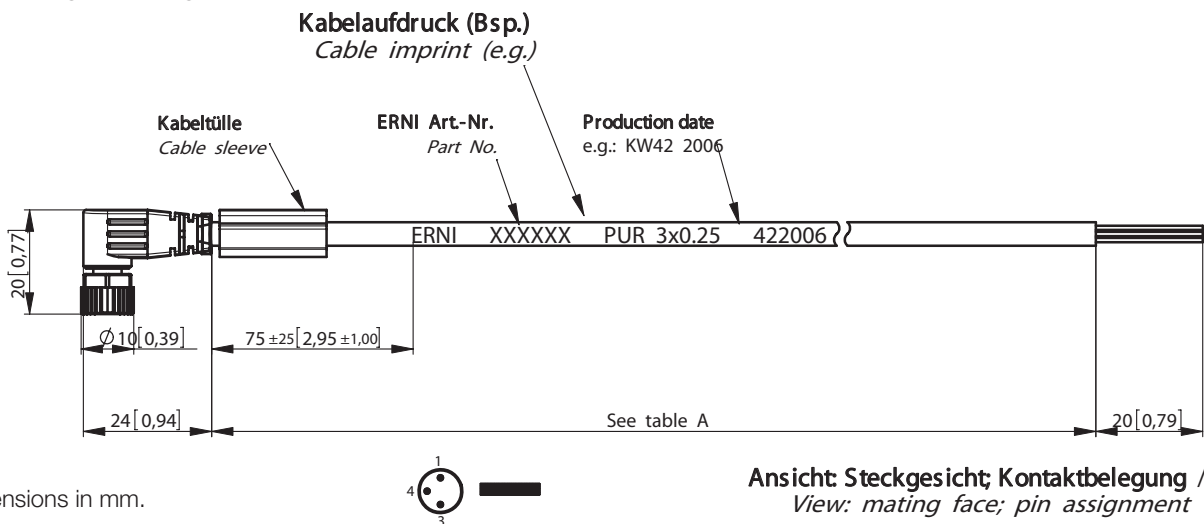
- no. of contacts:  
3, 4
- LED: 2 LEDs optional
- cable: PVC / PUR (UL/CSA)
- standard cable length:
  - interconnection: 0.3, 0.6, 1.0, 1.5, 2.0 m
  - pigtail: 1.5, 3.0, 5.0, 7.5, 10.0 m

### Dimensional Drawings

#### Female straight - Pigtail



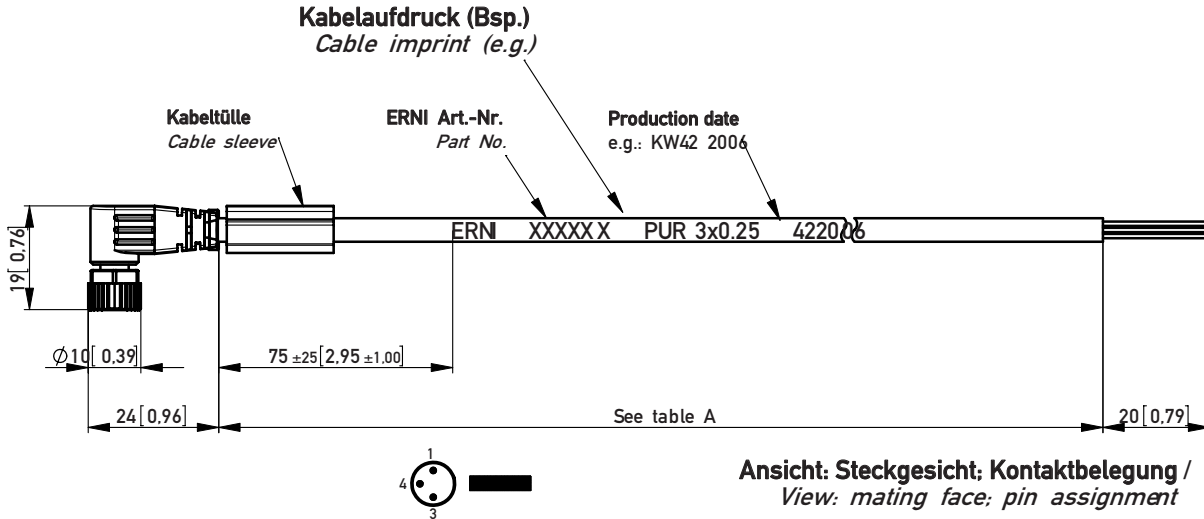
#### Female angled - Pigtail



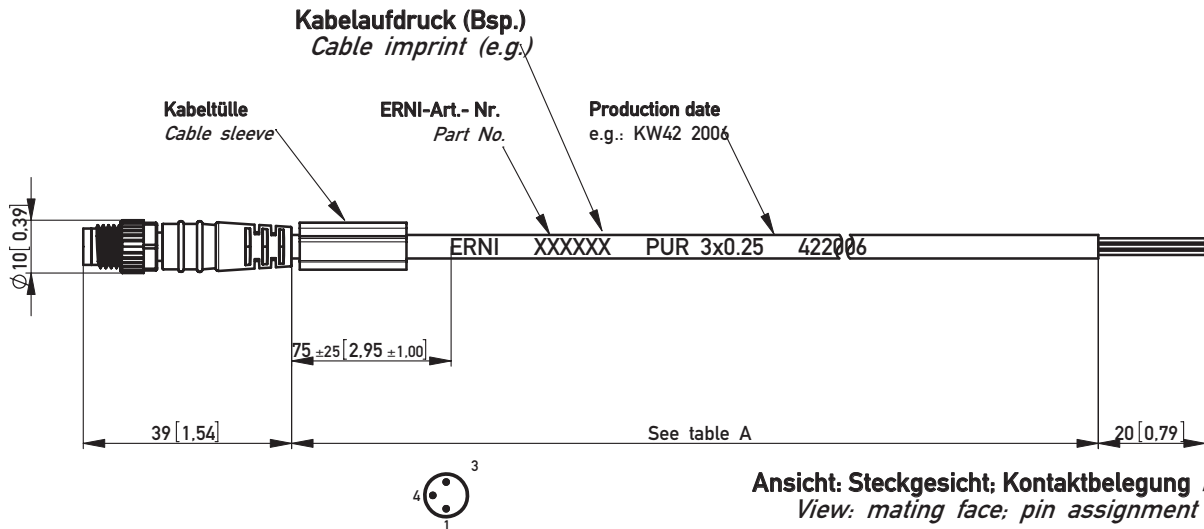
All dimensions in mm.



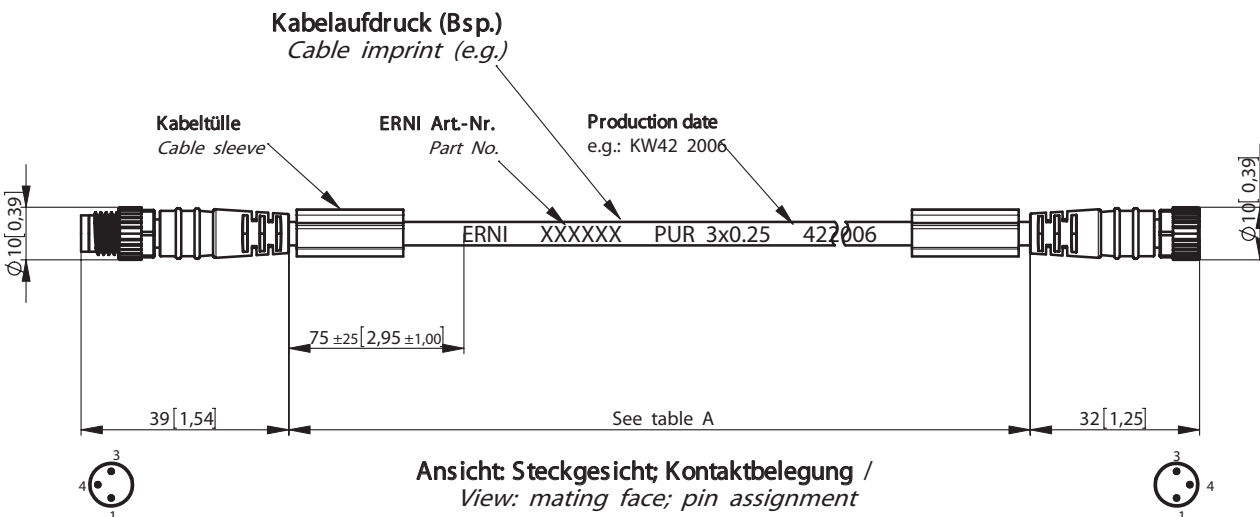
### Female angled, with LED - Pigtail



### Male straight - Pigtail



### Male straight - Female straight

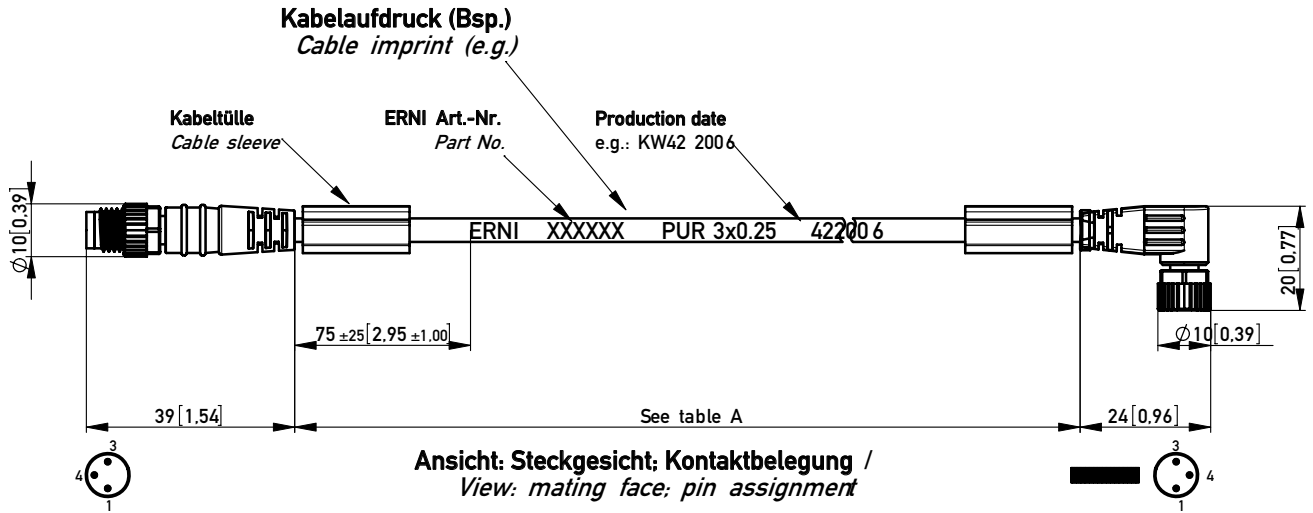


# M8/M12 Circular Connectors

## M8 Cable Assemblies



### Male straight - Female angled

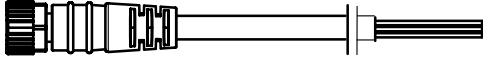
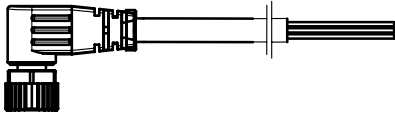
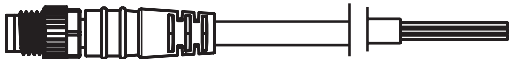
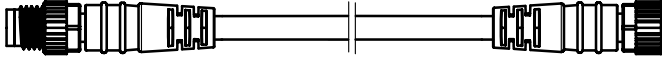


# M8/M12 Circular Connectors

## M8 Cable Assemblies



### Ordering Information

Connector1	Connector2	No. of Pins	Length	Coding	Cable Type	Part Number
						
Female straight	None	3	3.0 m	A	PVC	<b>223764</b>
Female straight	None	3	3.0 m	A	PUR	<b>223765</b>
Female straight	None	4	1.5 m	A	PVC	<b>223933</b>
Female straight	None	4	3.0 m	A	PVC	<b>223767</b>
Female straight	None	4	3.0 m	A	PUR	<b>223769</b>
						
Female angled	None	3	1.5 m	A	PUR	<b>223711</b>
Female angled	None	3	3.0 m	A	PVC	<b>223770</b>
Female angled	None	4	3.0 m	A	PVC	<b>223771</b>
Female angled	None	4	3.0 m	A	PUR	<b>223772</b>
Female angled, with LED	None	3	3.0 m	A	PVC	<b>223766</b>
Female angled, with LED	None	3	3.0 m	A	PUR	<b>223768</b>
						
Male straight	None	3	1.5 m	A	PUR	<b>223710</b>
Male straight	None	4	3.0 m	A	PUR	<b>223762</b>
						
Male straight	Female straight	3	1.0 m	A	PVC	<b>223773</b>
Male straight	Female straight	3	1.0 m	A	PUR	<b>223774</b>
Male straight	Female straight	4	1.0 m	A	PVC	<b>223776</b>
Male straight	Female straight	4	1.0 m	A	PUR	<b>223777</b>

# M8/M12 Circular Connectors

## M8 Cable Assemblies



### Ordering Information

Connector1	Connector2	No. of Pins	Length	Coding	Cable Type	Part Number
Male straight	Female angled	3	1.0 m	A	PVC	<b>223775</b>
Male straight	Female angled	3	1.0 m	A	PUR	<b>223778</b>
Male straight	Female angled	4	1.0 m	A	PUR	<b>223763</b>
Male straight	Female angled	4	1.0 m	A	PVC	<b>223779</b>
Male straight	Female angled, with LED	3	0.3 m	A	PUR	<b>223712</b>
Male straight	Female angled, with LED	3	1.0 m	A	PVC	<b>223780</b>

# M8/M12 Circular Connectors

## M8 Quick Termination



When installing sensor/actuator devices sometimes pre-assembled cables can cause difficulties or even prevent from successful installation because of cables laying in cable ducts or going through narrow components and small gaps. This would increase the wiring time and raise maintenance cost. ERNI's field-wireable quick termination connectors are an adequate and efficient solution ensuring highest flexibility for cabling of sensor/actuator peripherals. Easy termination of standard cables is guaranteed by tool-less IDC technology.

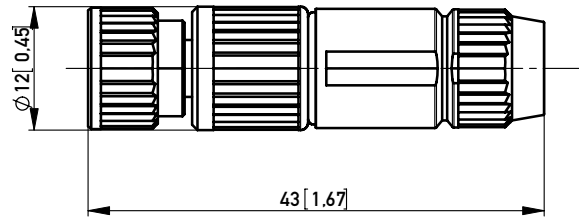
Further features:

- up to 10 times reconnectable
- integrated strain-relief
- vibration-proof feature
- suitable for cable diameter 3.2 - 5.4 mm

### Dimensional Drawings

#### 3 Pin Female

Buchse M8 /M8 female  
3-polig /3 pin



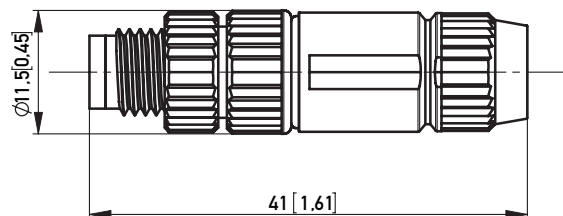
Quick termination  
technique (IDC)



**Ansicht: Steckgesicht; Kontaktbelegung /**  
*View: mating face; pin assignment*

#### 3 Pin Male

Buchse M8 /M8 female  
3-polig /3 pin



Quick termination  
technique (IDC)



**Ansicht: Steckgesicht; Kontaktbelegung /**  
*View: mating face; pin assignment*

All dimensions in mm.

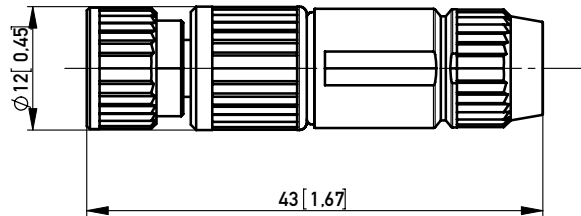
# M8/M12 Circular Connectors

## M8 Quick Termination



### 4 Pin Female

Buchse M8 /M8 female  
4-polig /4 pin



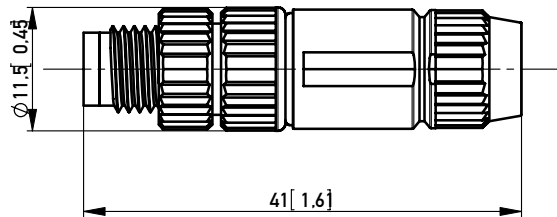
Quick termination  
technique (IDC)



**Ansicht: Steckgesicht; Kontaktbelegung /**  
*View: mating face; pin assignment*

### 4 Pin Male

Stecker M8 /M8 male  
4-polig /4 pin



Quick termination  
technique (IDC)



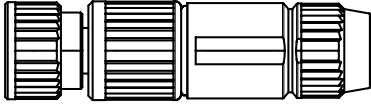
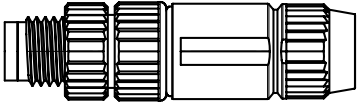
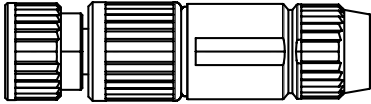
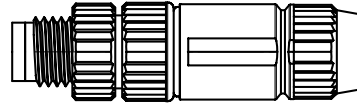
**Ansicht: Steckgesicht; Kontaktbelegung /**  
*View: mating face; pin assignment*

# M8/M12 Circular Connectors

## M8 Quick Termination

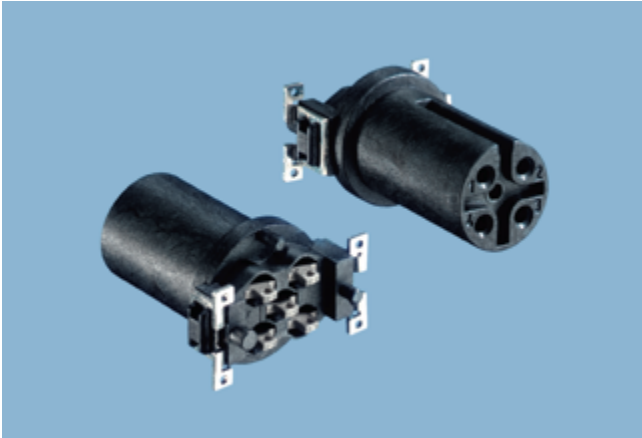


### Ordering Information

Configuration	No. of Pins	Termination	Coding	Part Number
				
Female M8	3	IDC	A Coding	<b>254760</b>
				
Male M8	3	IDC	A Coding	<b>254758</b>
				
Female M8	4	IDC	A Coding	<b>254764</b>
				
Male M8	4	IDC	A Coding	<b>254762</b>

# M8/M12 Circular Connectors

## M12 Female PCB Connectors



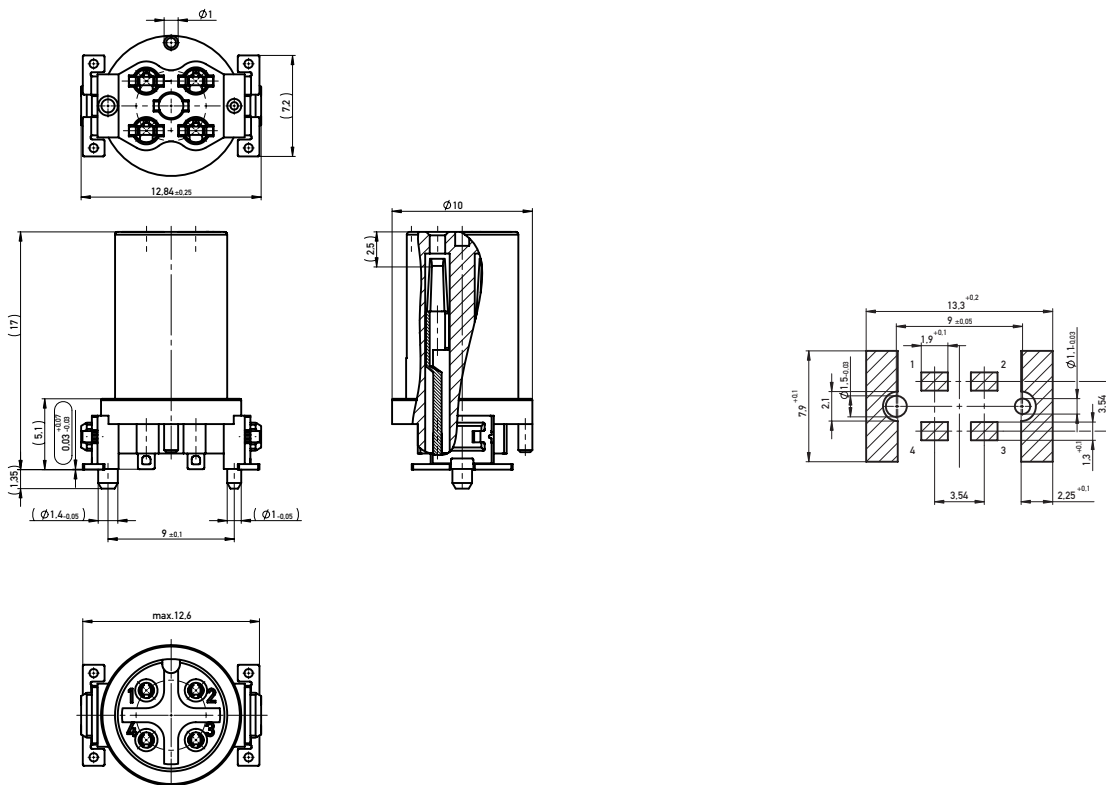
ERNI introduced the first M12 SMT connector in 2003. The ability for surface mount assembly processes contributes to the design-to-cost philosophy and leads to significant cost savings in general applications.

The modular connector system comprises of not only the connector itself but also considers various threaded metal flanges and O-ring seals. A solution that allows designer to flexibly create different PCB to front panel distances.

Moreover it protects from dust and water immersion according to IP67. Several codings compliant to IEC 61076-2-101 are supported.

### Dimensional Drawings

#### 4 Pin Version, A Coding



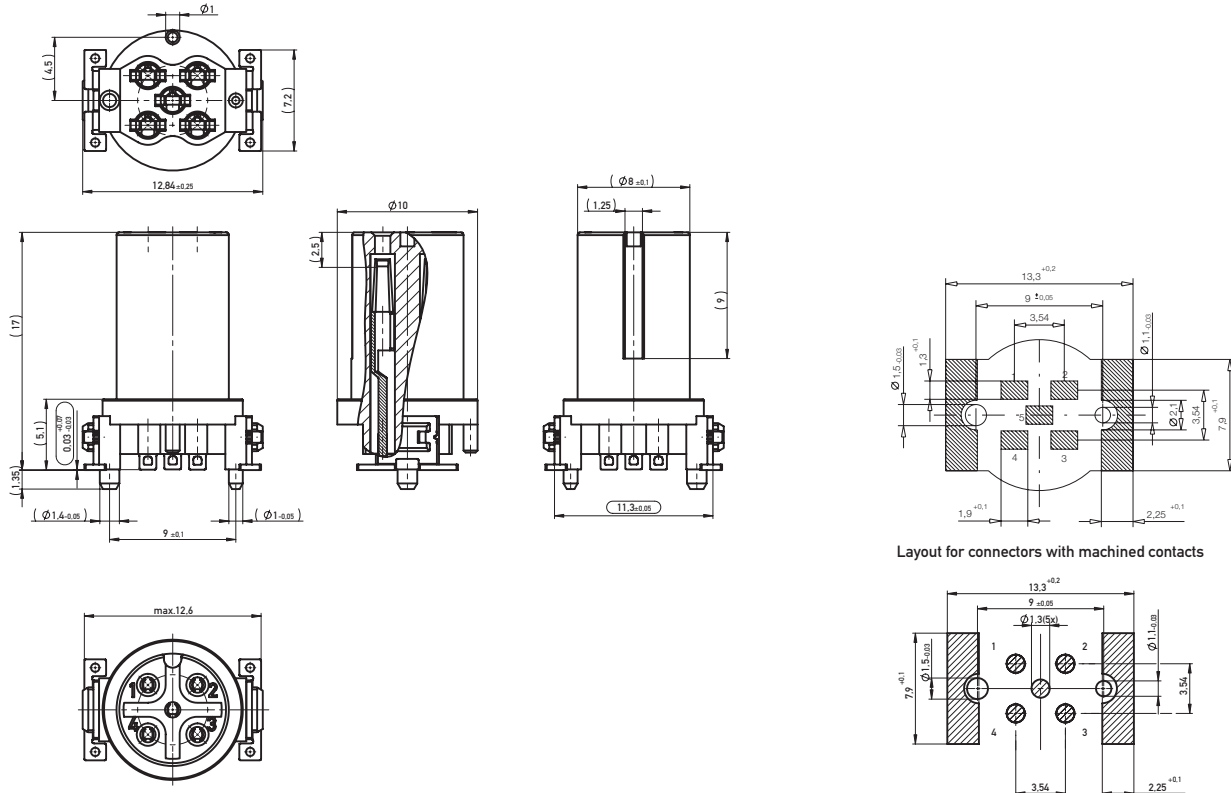
All dimensions in mm.

# M8/M12 Circular Connectors

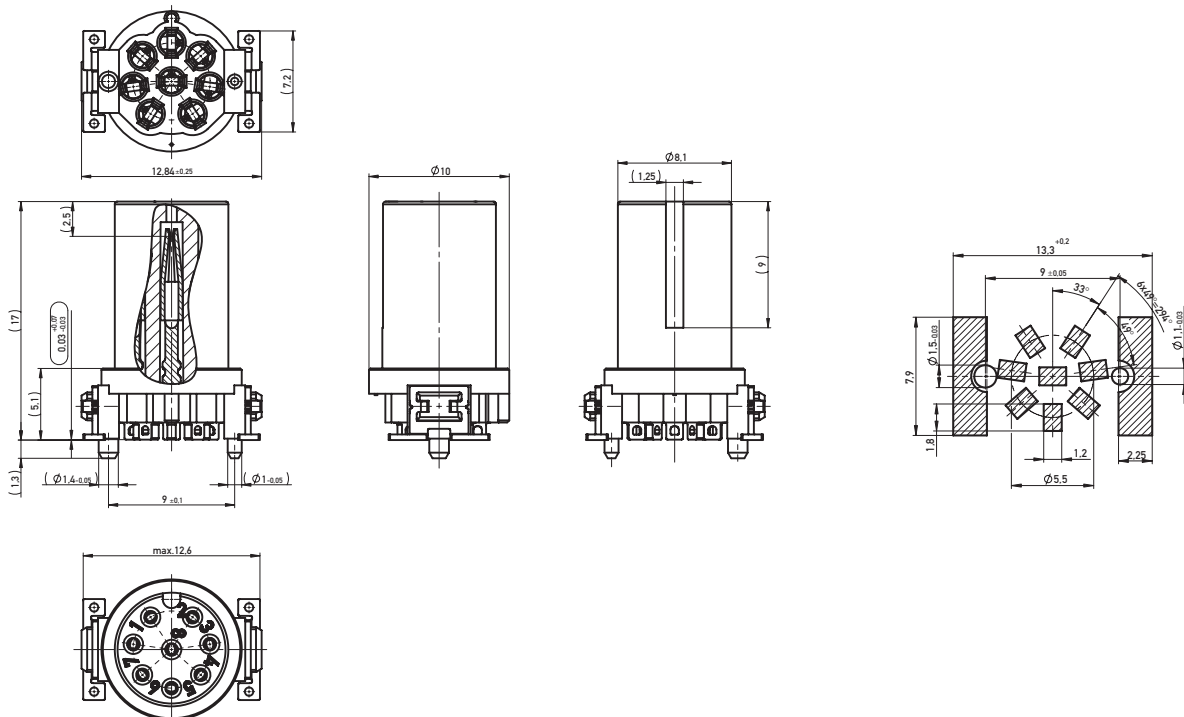
## M12 Female PCB Connectors



### 5 Pin Version, A Coding



### 8 Pin Version, A Coding



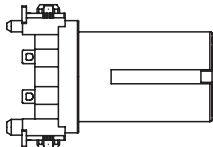

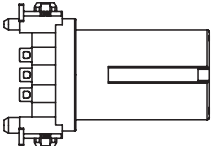

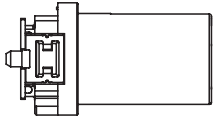

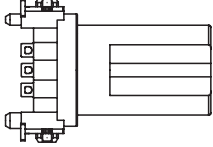



# M8/M12 Circular Connectors

## M12 Female PCB Connectors



### Ordering Information

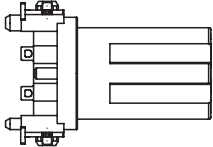
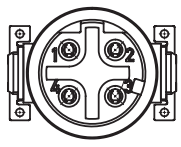
Configuration	No. of Pins	Assembly Height	Coding	Termination	Packaging	Part Number
						
Female M12	4	9/13 mm	A	SMT	Bulk/100 pcs	<b>284322</b>
						
Female M12	5	9/13 mm	A	SMT	Tape and reel/100 pcs	<b>224064</b>
Female M12	5	9/13 mm	A	SMT	Bulk/100 pcs	<b>194781</b>
Female M12, machined contacts	5	9/13 mm	A	SMT	Tape and reel/100 pcs	<b>354702</b>
						
Female M12	8	9/13 mm	A	SMT	Tape and reel/100 pcs	<b>354131</b>
Female M12	8	9/13 mm	A	SMT	Bulk/100 pcs	<b>254310</b>
						
Female M12	5	9/13 mm	B	SMT	Tape and reel/100 pcs	<b>254206</b>
Female M12	5	9/13 mm	B	SMT	Bulk/100 pcs	<b>254205</b>
Female M12, machined contacts	5	9/13 mm	B	SMT	Tape and reel/100 pcs	<b>384891</b>

## M8/M12 Circular Connectors

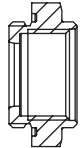
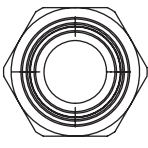
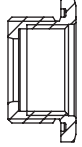
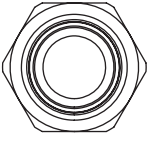

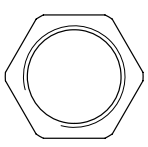
### M12 Female PCB Connectors



#### Ordering Information

Configuration	No. of Pins	Assembly Height	Coding	Termination	Packaging	Part Number
						
Female M12	4	9/13 mm	D	SMT	Tape and reel/100 pcs	<b>234041</b>
Female M12	4	9/13 mm	D	SMT	Bulk/100 pcs	<b>234040</b>
Female M12, machined contacts	4	9/13 mm	D	SMT	Tape and reel/100 pcs	<b>364175</b>

#### Accessories for M12 Female Connectors

Configuration	Assembly Height	Packaging	Part Number
			
Metal shell for M12 female connectors	9 mm	Bulk	<b>374729</b>
			
Metal shell for M12 female connectors	13 mm	Bulk	<b>374728</b>
			
Counternut M14x1	–	Bulk	<b>354003</b>

Configuration	Material	Packaging	Part Number
O-ring for M12 connectors, 14x1	NBR	Bulk/100 pcs	<b>834899</b>
O-ring for M12 connectors, 7x1	Viton	Bulk/100 pcs	<b>835284</b>
Protective cap, female connectors, M12x1, IP67	PE-HD	Bulk	<b>374343</b>

# M8/M12 Circular Connectors

## M12 Male PCB Connectors



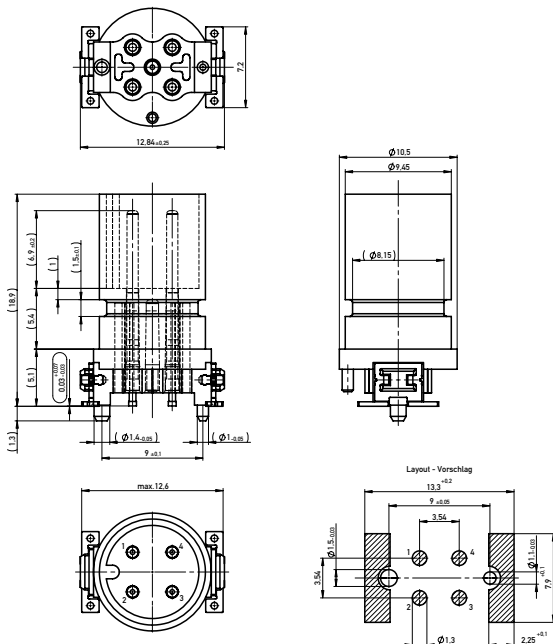
The M12 SMT male connectors complete the product range of M12 PCB connectors from ERNI.

A-coded versions are successfully used for power supply on sensor/actuator distribution boxes or on Ethernet switches. The A-coded connectors are also standard for low voltage switching devices according to IEC 60947-5-2.

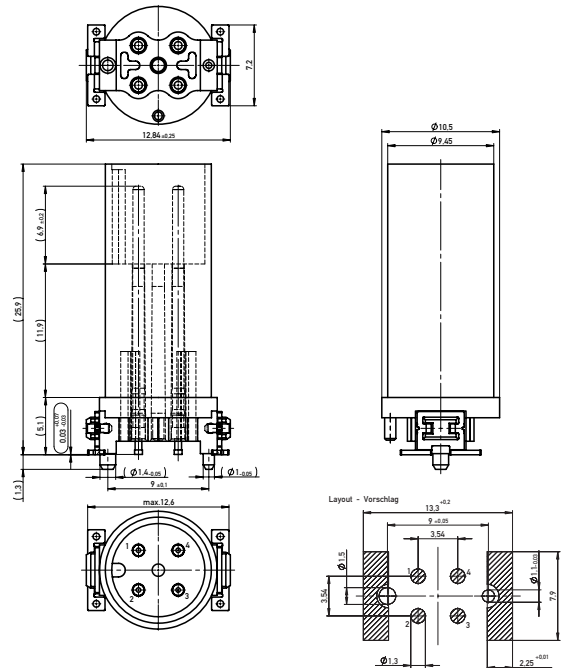
The modular connector system includes male connectors of two different heights and various threaded metal flanges that allow to realize different distances between PCB and front panel. O-ring seals ensure protection according to IP67.

### Dimensional Drawings

**4 Pin Version, Style 1,  
A Coding, Assembly Height 9 mm,  
Additional Sealing Option**



**4 Pin Version, Style 2,  
A Coding, Assembly Height 13 mm**



All dimensions in mm.



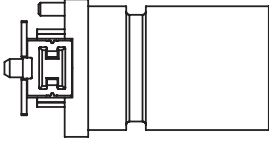
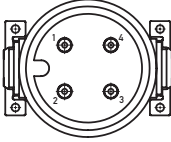
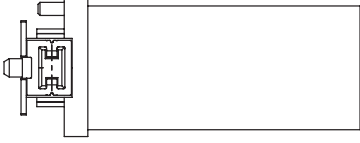
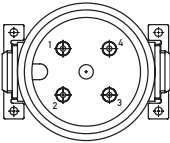
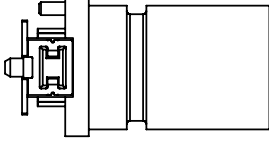
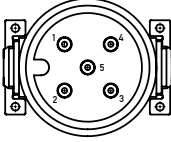

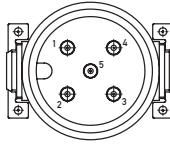
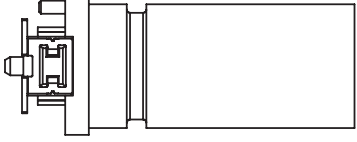
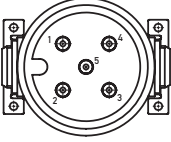


# M8/M12 Circular Connectors

## M12 Male PCB Connectors



### Ordering Information

Configuration	No. of Pins	Assembly Height	Coding	Termination	Packaging	Part Number
						
Male M12, Style 1	4	9 mm	A	SMT	Tape and reel/75 pcs	<b>284809</b>
Male M12, Style 1	4	9 mm	A	SMT	Bulk/100 pcs	<b>284784</b>
						
Male M12, Style 2	4	13 mm	A	SMT	Bulk/100 pcs	<b>254188</b>
						
Male M12, Style 1	5	9 mm	A	SMT	Tape and reel/75 pcs	<b>284740</b>
Male M12, Style 1	5	9 mm	A	SMT	Bulk/100 pcs	<b>354132</b>
						
Male M12, Style 2	5	13 mm	A	SMT	Bulk/100 pcs	<b>244790</b>
						
Male M12, Style 1	5	13 mm	A	SMT	Bulk/100 pcs	<b>364767</b>

# M8/M12 Circular Connectors

## M12 Male PCB Connectors



### Ordering Information

Configuration	No. of Pins	Assembly Height	Coding	Termination	Packaging	Part Number
Male M12, Style 1	8	9 mm	A	SMT	Tape and reel/75 pcs	<b>284810</b>
Male M12, Style 1	8	9 mm	A	SMT	Bulk/100 pcs	<b>254317</b>
Male M12, Style 1	5	9 mm	B	SMT	Tape and reel/75 pcs	<b>354130</b>
Male M12, Style 1	5	9 mm	B	SMT	Bulk/100 pcs	<b>254319</b>
Male M12, Style 1	5	13 mm	B	SMT	Bulk/100 pcs	<b>374947</b>
Male M12, Style 2	4	13 mm	D	SMT	Bulk/100 pcs	<b>244798</b>

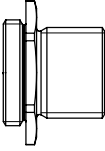
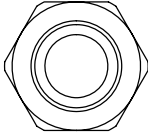
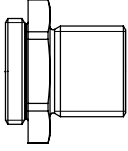
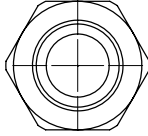
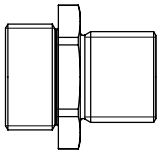
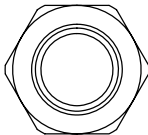

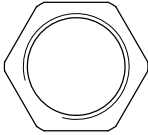
## M8/M12 Circular Connectors

### M12 Male PCB Connectors



#### Ordering Information

##### Accessories for M12 Male Connectors

Configuration	Assembly Height	Packaging	Part Number
			
Metal shell for M12 male connectors, Style 1	9 mm	Bulk	<b>254737</b>
Metal shell for M12 male connectors, Style 2	9 mm	Bulk	<b>254739</b>
			
Metal shell for M12 male connectors, Style 1	13 mm	Bulk	<b>284377</b>
Metal shell for M12 male connectors, Style 2	13 mm	Bulk	<b>284363</b>
			
Metal shell for M12 male connectors, Style 2, for counternut	13 mm	Bulk	<b>354217</b>
			
Counternut M14x1	-	Bulk	<b>354003</b>
Configuration	Material	Packaging	Part Number
O-ring for M12 connectors, 14x1	NBR	Bulk/100 pcs	<b>834899</b>
Protective Cap, Male Connector, M12x1, incl. O-ring, IP67	PE-HD	Bulk	<b>374342</b>

Style 1 and Style 2 explained on page 5.



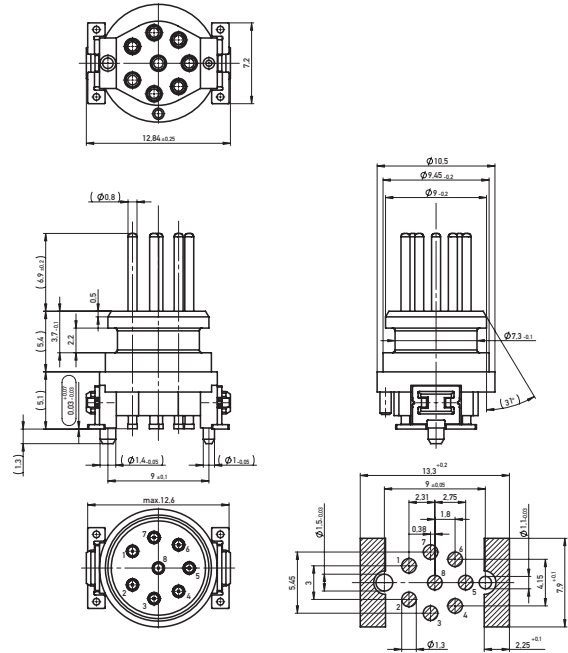
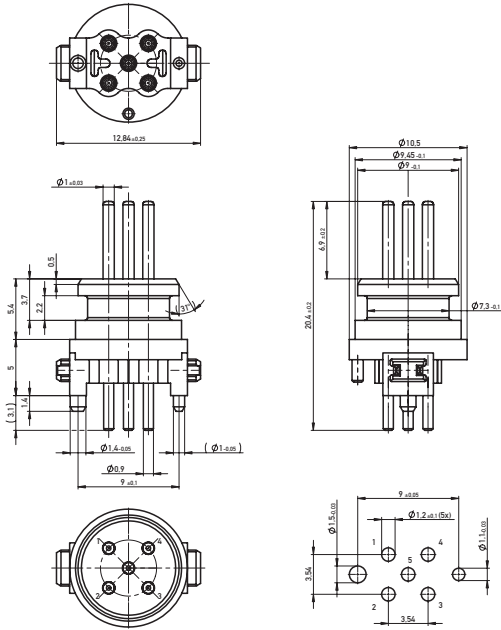
# M8/M12 Circular Connectors

## M12 Male PCB Connectors for Direct Integration



5 Pin Version, Assembly Height 9 mm,  
Additional Sealing Option

8 Pin Version, Assembly Height 9 mm,  
Additional Sealing Option

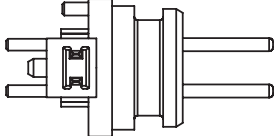
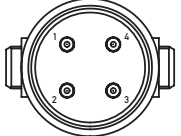
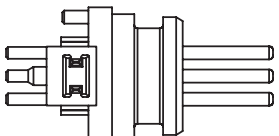
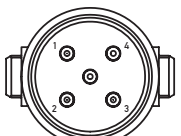
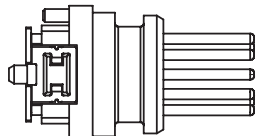
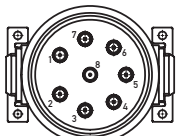


## M8/M12 Circular Connectors

### M12 Male PCB Connectors for Direct Integration



#### Ordering Information

Configuration	No. of Pins	Assembly Height	Coding	Termination	Packaging	Part Number
						
Male M12	4	9 mm	–	THR	Tray/50 pcs	<b>364781</b>
						
Male M12	5	9 mm	–	THR	Tray/50 pcs	<b>364779</b>
						
Male M12	8	9 mm	–	SMT	Tray/50 pcs	<b>364777</b>

#### Accessories for M12 Connectors for Direct Integration

Configuration	Material	Packaging	Part Number
O-ring for M12 connectors, 7x1.5	NBR	Bulk/100 pcs	<b>835243</b>

# M8/M12 Circular Connectors

## M12 Cable Assemblies



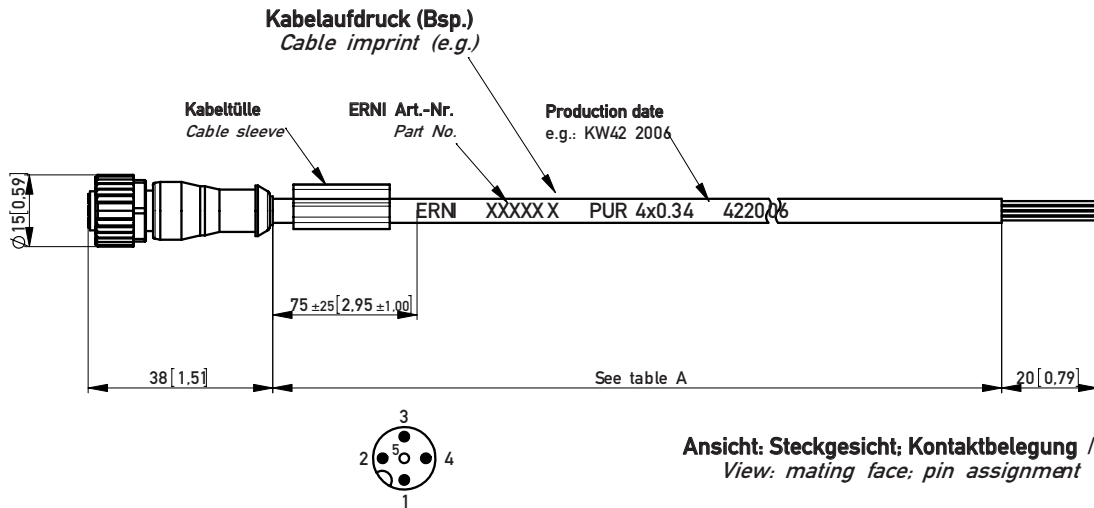
Pre-assembled cables are one of the effective possibilities to save time and money. There is no need to consider the correct pin assignment. Coding latches ensure secure mating supported by an integrated vibration-proof feature. Over-moulded connectors guarantee a watertight solution (IP67). M12 cable assemblies are either offered as an interconnection of two circular connectors or as a cord set having an open end of line (pigtail). Especially in harsh environments and for demanding applications the PUR cable assembly is the leading edge. Standardized coding is conform with requirements of different applications and bus technologies.

ERNI's portfolio covers further criteria:

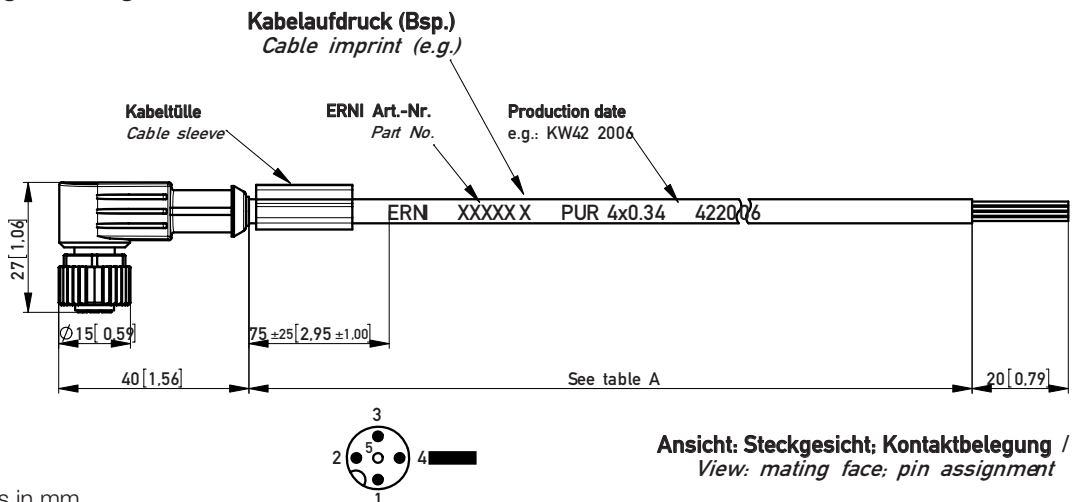
- no. of contacts: 4, 5, 8
- LED: 3 LEDs optional
- cable: PVC / PUR (UL/CSA)
- standard cable length:
  - interconnection: 0.3, 0.6, 1.0, 1.5, 2.0 m
  - pigtail: 1.5, 3.0, 5.0, 7.5, 10.0 m

### Dimensional Drawings

#### Female straight - Pigtail



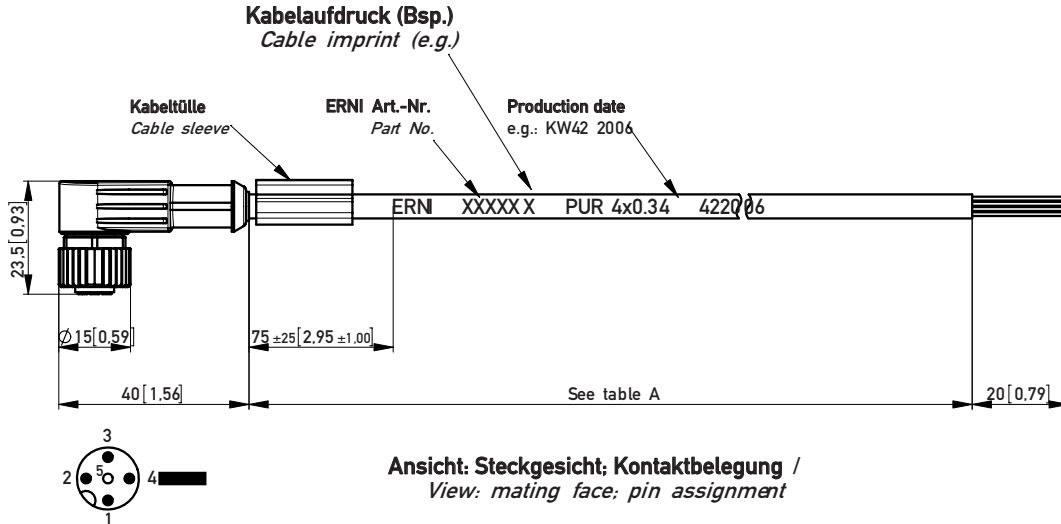
#### Female angled - Pigtail



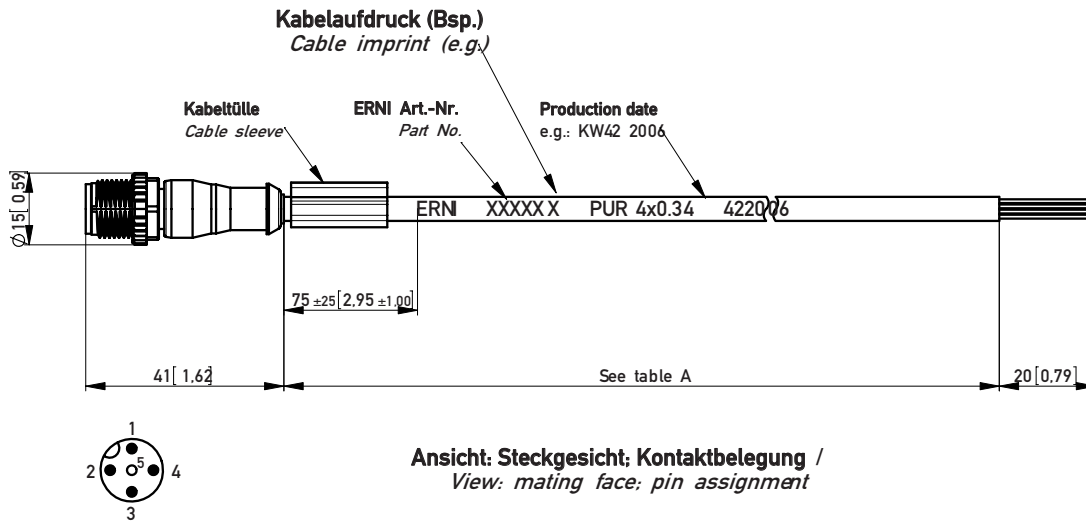
All Dimensions in mm



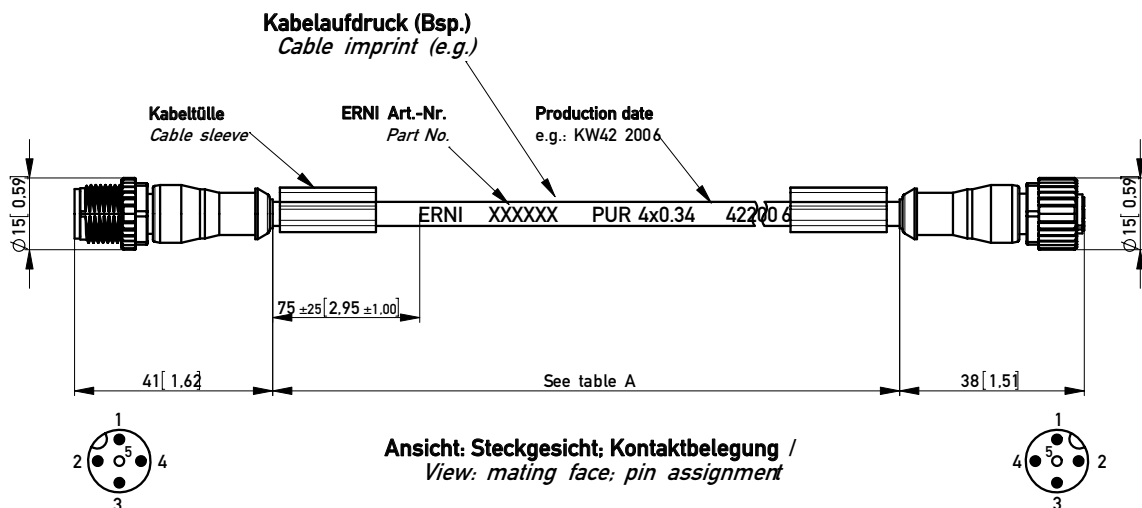
### Female angled, with LED - Pigtail



### Male straight - Pigtail



### Male straight - Female straight

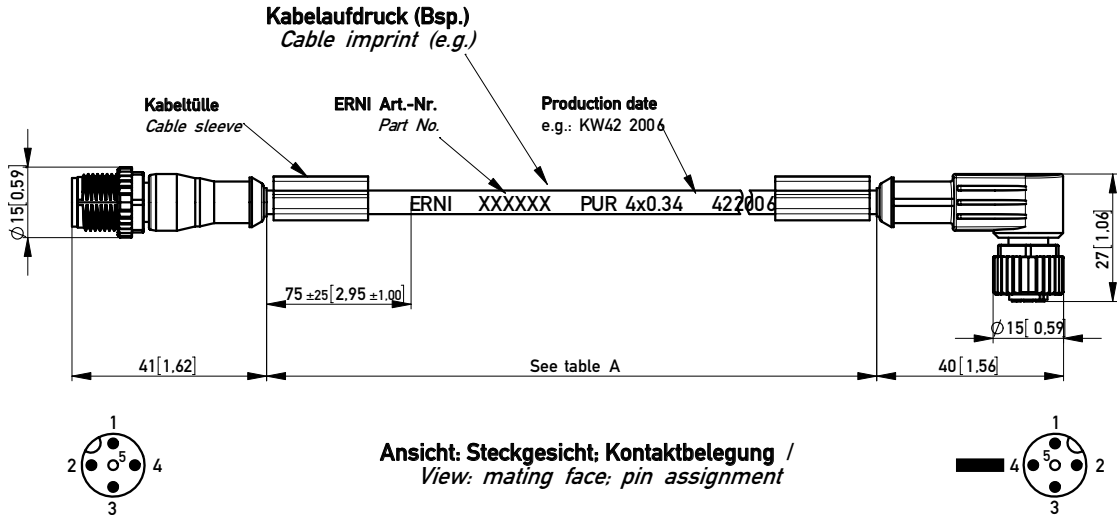


# M8/M12 Circular Connectors

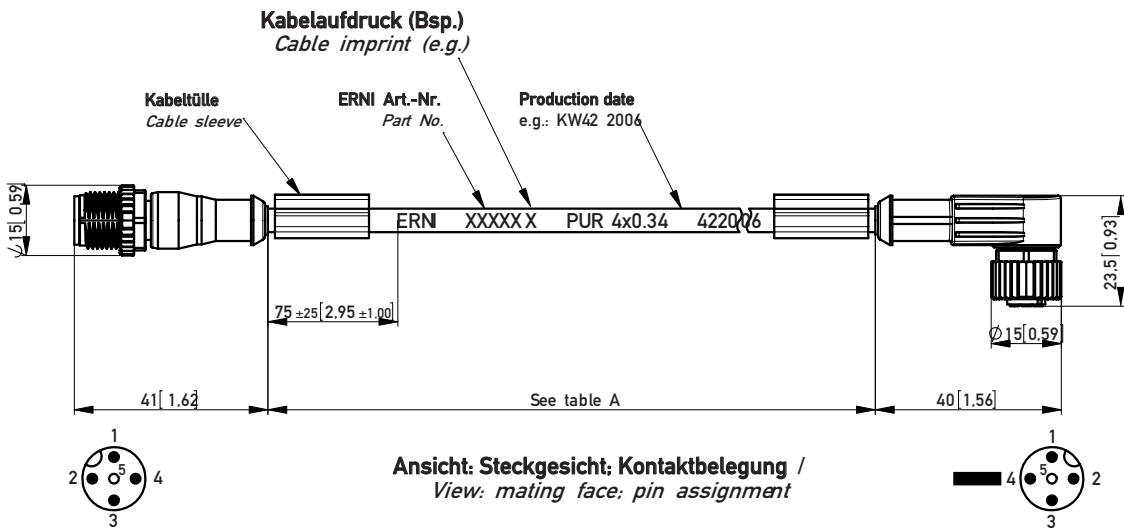
## M12 Cable Assemblies



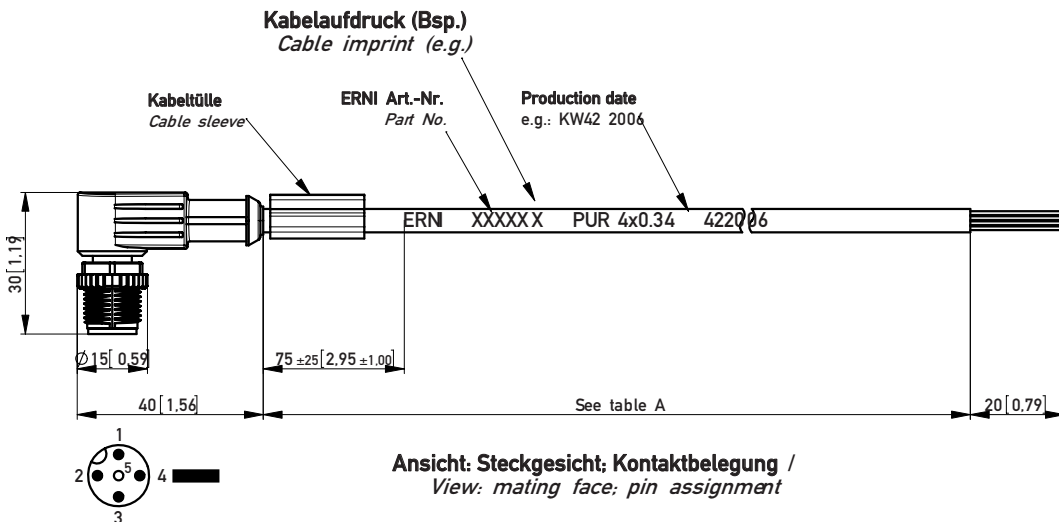
### Male straight - Female angled



### Male straight - Female angled, with LED



### Male angled - Pigtail

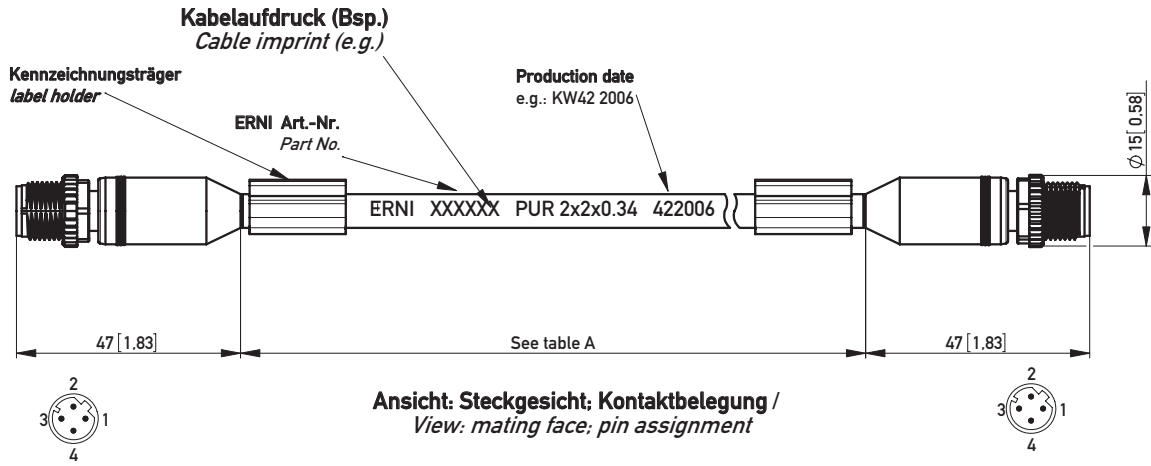


# M8/M12 Circular Connectors

## M12 Cable Assemblies



### Male straight, D coding - Female straight, D coding



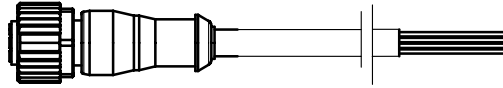
# M8/M12 Circular Connectors

## M12 Cable Assemblies

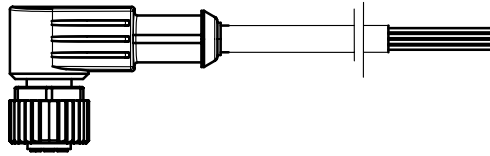


### Ordering Information

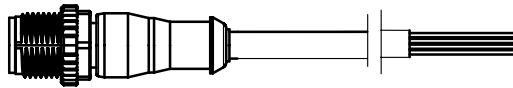
Connector1	Connector2	No. of Pins	Length	Coding	Cable Type	Part Number
------------	------------	-------------	--------	--------	------------	-------------



Female straight	None	4	2.0 m	A	PVC	<b>223866</b>
Female straight	None	4	3.0 m	A	PVC	<b>223783</b>
Female straight	None	4	3.0 m	A	PUR	<b>223784</b>
Female straight	None	5	1.5 m	A	PVC	<b>223923</b>
Female straight	None	8	3.0 m	A	PUR	<b>225039</b>



Female angled	None	4	1.5 m	A	PUR	<b>223714</b>
Female angled	None	4	3.0 m	A	PVC	<b>223785</b>
Female angled, with LED	None	4	3.0 m	A	PVC	<b>223786</b>
Female angled, with LED	None	4	3.0 m	A	PUR	<b>223787</b>



Male straight	None	4	1.5 m	A	PUR	<b>223713</b>
Male straight	None	4	3.0 m	A	PVC	<b>223781</b>
Male straight	None	8	3.0 m	A	PUR	<b>225040</b>

# M8/M12 Circular Connectors

## M12 Cable Assemblies



### Ordering Information

Connector1	Connector2	No. of Pins	Length	Coding	Cable Type	Part Number
Male straight	Female straight	4	1.0 m	A	PVC	<b>223788</b>
Male straight	Female straight	4	1.0 m	A	PUR	<b>223789</b>
Male straight	Female straight	5	1.0 m	A	TPM, shielded (CAN; DeviceNet)	<b>223944</b>
Male straight	Female straight	5	1.0 m	A	PUR, shielded (CAN; DeviceNet)	<b>354195</b>
Male straight	Female straight	5	1.5 m	A	PUR, shielded (CAN; DeviceNet)	<b>364415</b>

Male straight	Female angled	4	1.0 m	A	PVC	<b>223790</b>
Male straight	Female angled	4	1.0 m	A	PUR	<b>223791</b>
Male straight	Female angled, with LED	4	0.3 m	A	PUR	<b>223715</b>

Male angled	None	4	3.0 m	A	PVC	<b>223782</b>

Male straight	Male straight	4	1.5 m	D	PUR, shielded (Ethernet)	<b>223922</b>
Male straight	Male straight	4	3.0 m	D	PUR, shielded (Ethernet)	<b>223921</b>

# M8/M12 Circular Connectors

## M12 Quick Termination



When installing a fieldbus system sometimes pre-assembled cables may cause difficulties or even prevent from successful installation because of cables laying in cable ducts or going through narrow components and small gaps. This would increase the wiring time and therefore raise maintenance cost. ERNI's field-attachable quick termination connectors are an adequate and efficient solution ensuring highest flexibility for cabling of automation systems. Easy termination of standard cables is guaranteed by tool-less IDC technology.

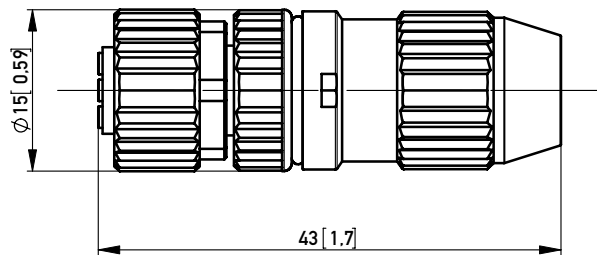
Further features:

- reconnectable up to 10 times
- integrated strain-relief
- vibration-proof screw locking
- suitable for cable diameter 4.0 - 5.1 mm

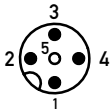
### Dimensional Drawings

#### 4 Pin Female

Buchse M12 *M12 female*  
4-polig / 4 pin



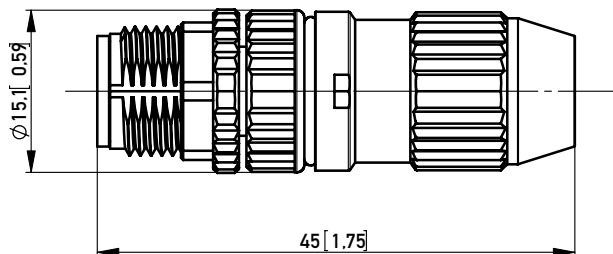
Quick termination  
technique (IDC)



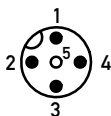
**Ansicht: Steckgesicht; Kontaktbelegung /**  
*View: mating face; pin assignment*

#### 4 Pin Male

Stecker M12 *M12 male*  
4-polig / 4 pin



Quick termination  
technique (IDC)



**Ansicht: Steckgesicht; Kontaktbelegung /**  
*View: mating face; pin assignment*

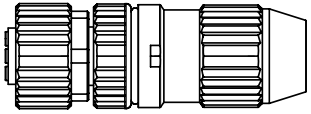
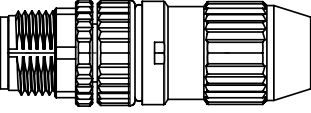
All dimensions in mm.

# M8/M12 Circular Connectors

## M12 Quick Termination



### Ordering Information

Configuration	No. of Pins	Termination	Coding	Part Number
				
Female M12	4	IDC	A	254770
				
Male M12	4	IDC	A	254768

# M8/M12 Circular Connectors

## Accessories Adapter



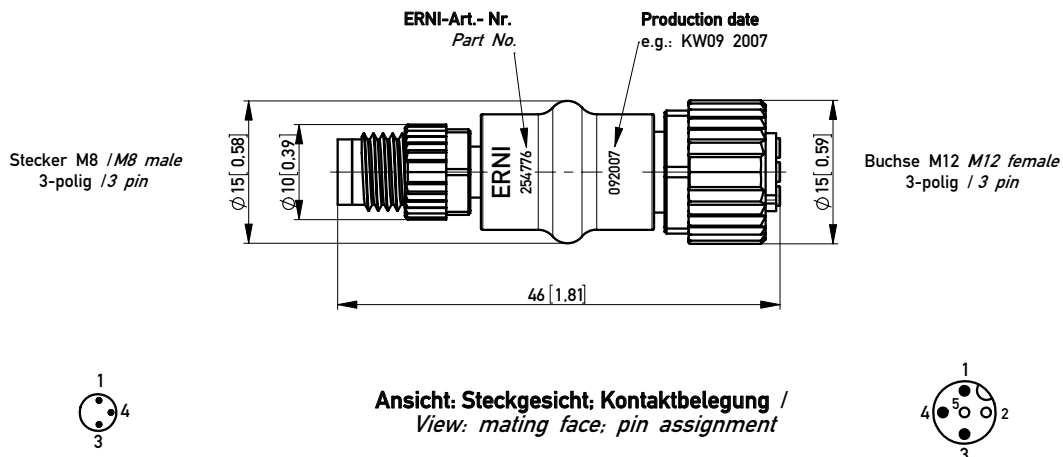
Adapters are useful to reduce the amount of different parts on stock or on Bill Of Materials. Sometimes there are automation components on the market which are available only as M8 or M12 size. In many cases this requires a multitude of connectors from both technologies.

With adapters this can be reduced to one system, M8 or M12, that is easily manageable.

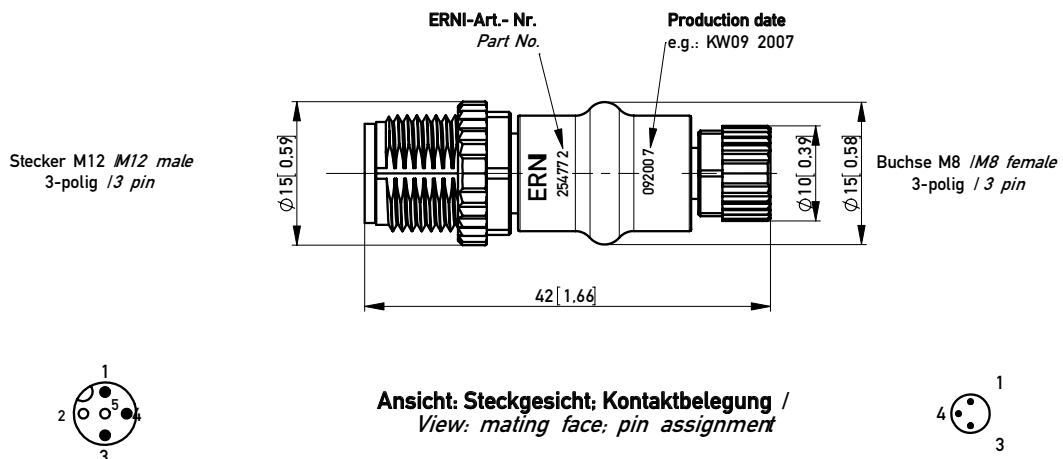
Adapters are also recommended for service issues i.e. replacement of cables as they allow greater flexibility.

### Dimensional Drawings

#### 3 Pin Version, M8 Male - M12 Female



#### 3 Pin Version, M12 Male - M8 Female



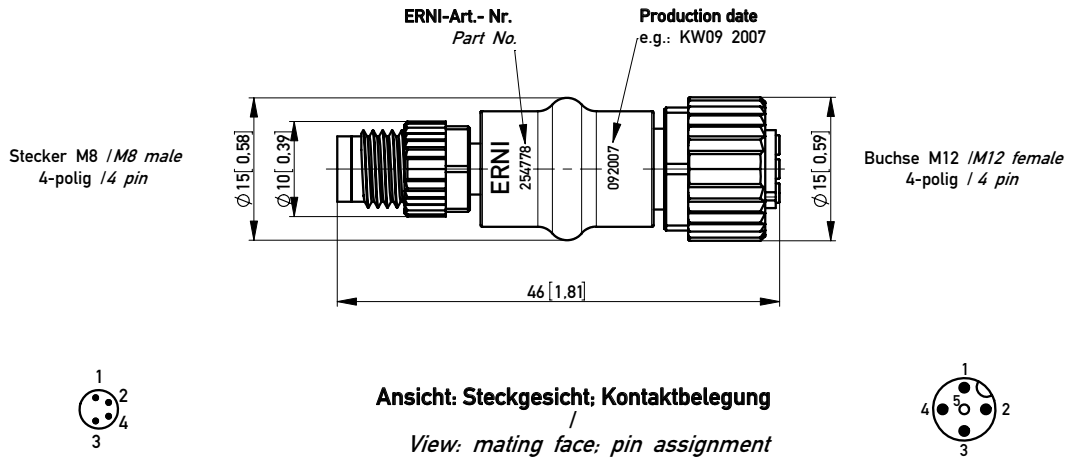
All dimensions in mm.

# M8/M12 Circular Connectors

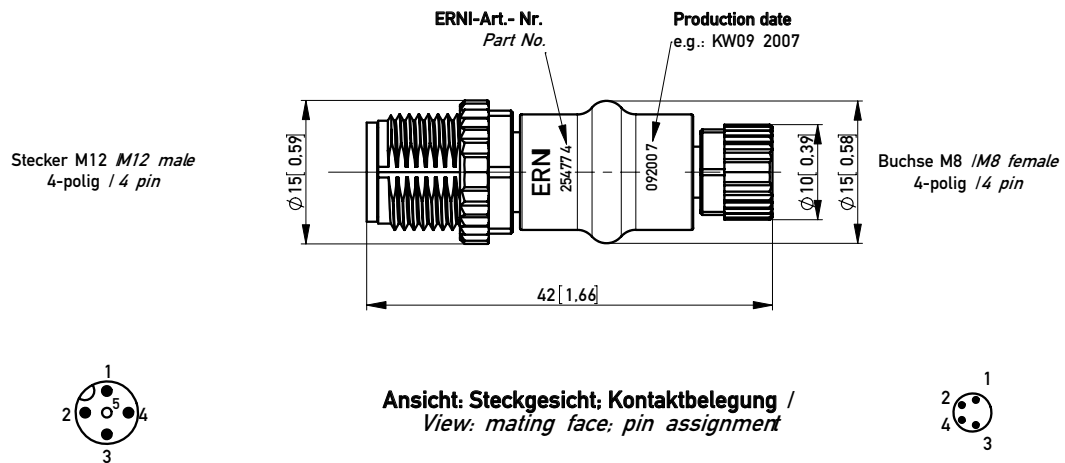
## Accessories Adapter



### 4 Pin Version, M8 Male - M12 Female



### 4 Pin Version, M12 Male - M8 Female



## Ordering Information

Configuration	No. of Pins	Coding	Part Number
M8 Male - M12 Female	3	A	254776
M12 Male - M8 Female	3	A	254772
M8 Male - M12 Female	4	A	254778
M12 Male - M8 Female	4	A	254774

# M8/M12 Circular Connectors

## Accessories

### T-Coupler



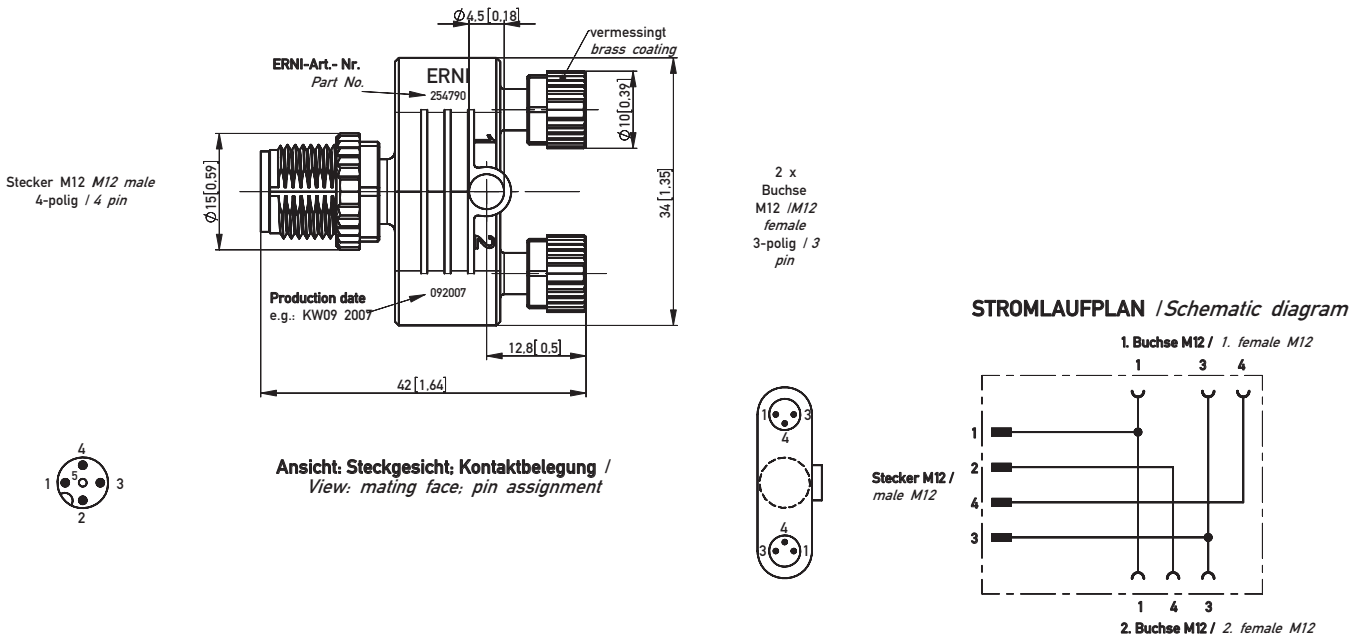
T-Couplers are used for space saving sensor connectivity. Two sensors/actuators can be merged to one cable. The coupler can be attached close to the machine e.g. near a pneumatic cylinder or directly screwed onto a sensor I/O distribution box by a designated mounting hole on the housing.

Features:

- self-securing screw locking, vibration-proof
- contact finish gold-plated for a minimum of 100 mechanical operations

## Dimensional Drawings

1 x M12 Male, 4 pin - 2 x M8 Female, 3 pin



All dimensions in mm.

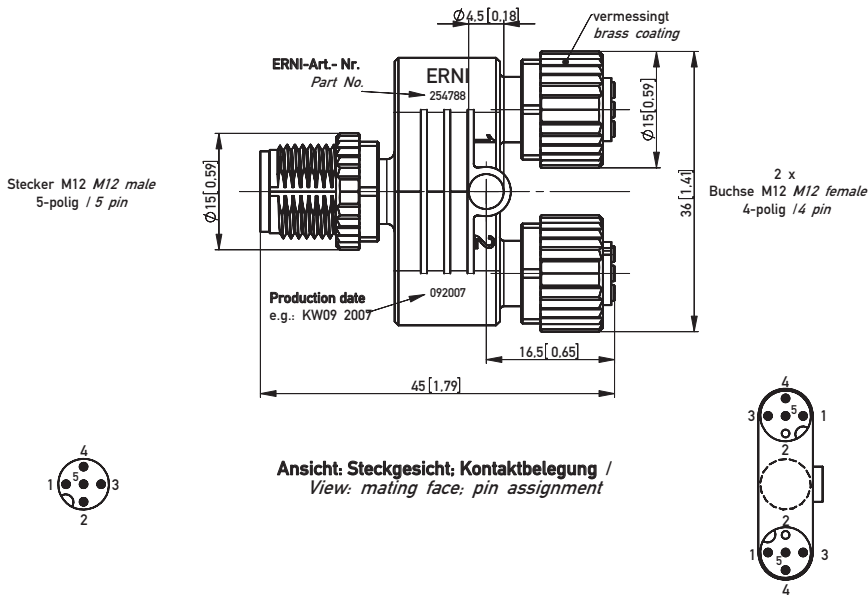
# M8/M12 Circular Connectors

## Accessories

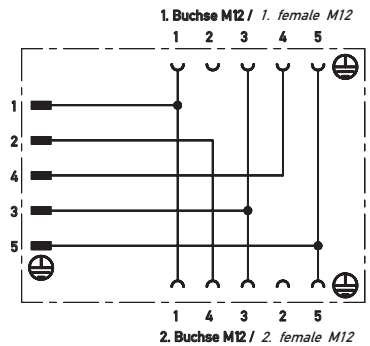
### T-Coupler



1 x M12 Male, 5 pin - 2 x M12 Female, 4 pin



### STROMLAUFPLAN / Schematic diagram



## Ordering Information

Configuration	Coding	Part Number
1 x M12 Male, 4 pin - 2 x M8 Female, 3 pin	A	254790
1 x M12 Male, 5 pin - 2 x M12 Female, 4 pin	A	254788

# M8/M12 Circular Connectors

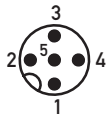
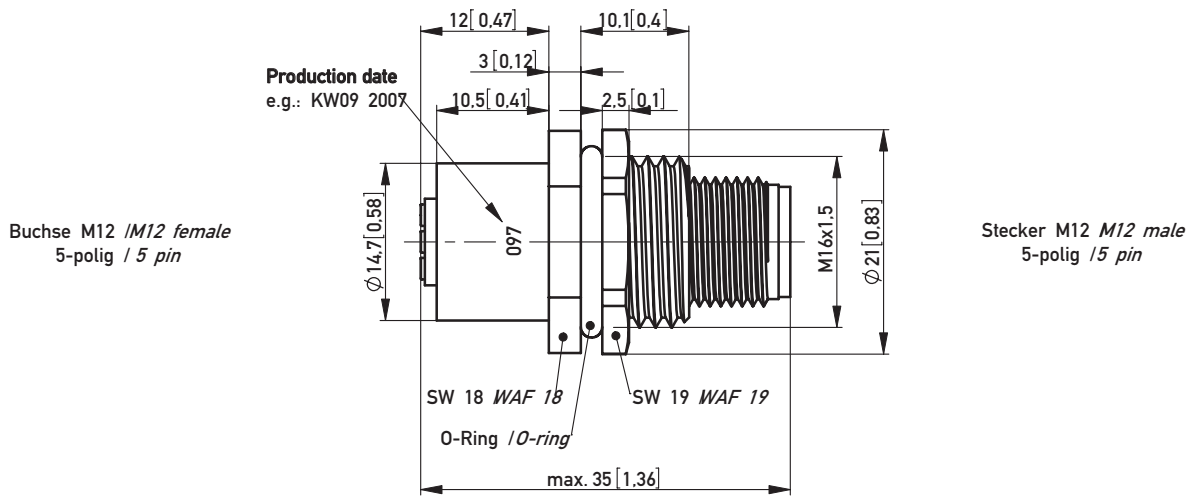
## Accessories Panel Feed-Through



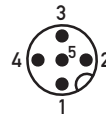
Panel feed-throughs are available for use when cables need to pass through cabinets, racks or other electrical devices. They ensure protection against dust and water immersion and therefore allow reliable connectivity to the field level.

### Dimensional Drawing

#### M12 5 Pin Version, A Coding



Ansicht: Steckgesicht; Kontaktbelegung /  
View: mating face; pin assignment



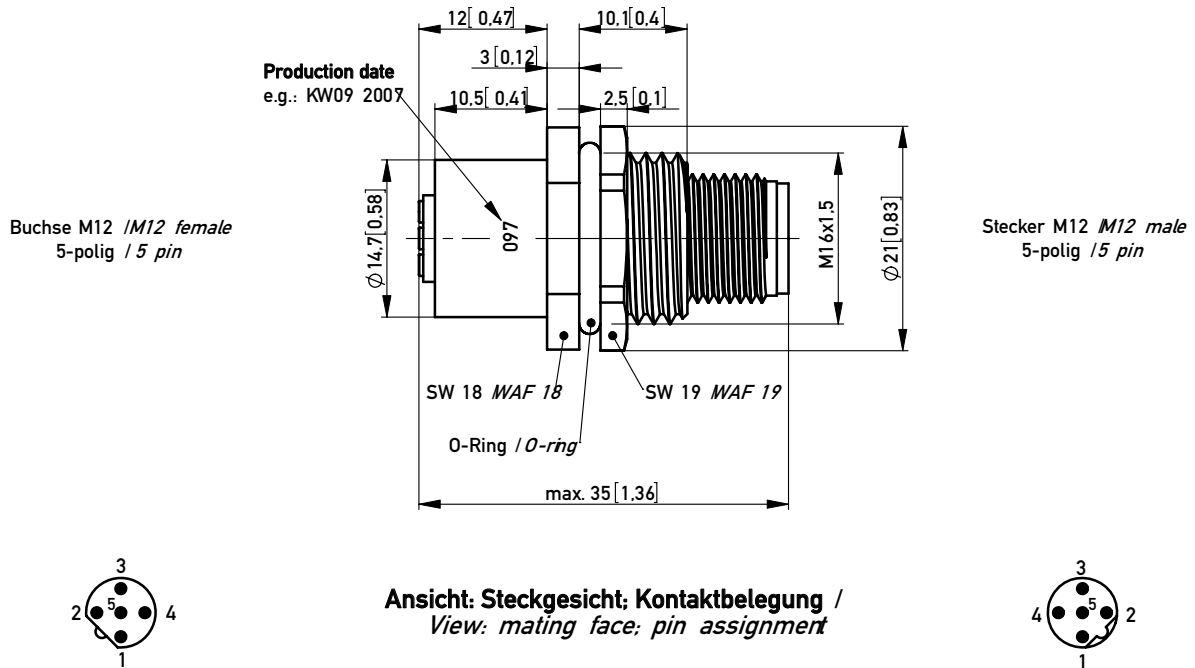
All dimensions in mm.

# M8/M12 Circular Connectors

## Accessories Panel Feed-Through



### M12 5 Pin Version, B Coding



### Ordering Information

Configuration	No. of Pins	Coding	Part Number
M12	5	A	254780
M12	5	B	254782

# M8/M12 Circular Connectors

## Part Number Index



Part Number	Page	Part Number	Page
194781	31	254205	31
223710	23	254206	31
223711	23	254310	31
223712	24	254317	37
223713	46	254319	37
223714	46	254737	38
223715	47	254739	38
223762	23	254758	27
223763	24	254760	27
223764	23	254762	27
223765	23	254764	27
223766	23	254768	49
223767	23	254770	49
223768	23	254772	51
223769	23	254774	51
223770	23	254776	51
223771	23	254778	51
223772	23	254780	55
223773	23	254782	55
223774	23	254788	53
223775	24	254790	53
223776	23	284067	17
223777	23	284074	19
223778	24	284322	31
223779	24	284363	38
223780	24	284377	38
223781	46	284409	19
223782	47	284740	36
223783	46	284784	36
223784	46	284809	36
223785	46	284810	37
223786	46	354003	38
223787	46	354003	32
223788	47	354130	37
223789	47	354131	31
223790	47	354132	36
223791	47	354195	47
223866	46	354217	38
223921	47	354702	31
223922	47	364175	32
223923	46	364415	47
223933	23	364767	36
223944	47	364777	41
224064	31	364779	41
224150	17	364781	41
224151	17	374342	38
224152	19	374343	32
225039	46	374728	32
225040	46	374729	32
234040	32	374947	37
234041	32	384891	31
234233	17	834898	19
234234	17	834898	17
234235	19	834899	38
244790	36	834899	32
244798	37	835243	41
254154	17	835283	17
254188	36	835284	32





**ERNI Electronics GmbH & Co. KG**

Seestrasse 9  
73099 Adelberg/Germany  
Tel +49 71 66 50-0  
Fax +49 71 66 50-282  
info@erni.de

Europe South America Africa Japan

**ERNI Electronics Inc.**

3005 E. Boundary Terrace  
Midlothian, VA 23112/USA  
Tel +1 804 228-4100  
Fax +1 804 228-4099  
info.usa@erni.com

North America Canada Mexico

**ERNI Asia Holding Pte Ltd**

23A Serangoon North Avenue 5  
#04-11 Singapore 554369  
Tel +65 6 555 5885  
Fax +65 6 555 5995  
info.sg@erni.com

Asia Australia New Zealand

[www.erni.com](http://www.erni.com)

© ERNI Electronics GmbH & Co. KG 2010 • Printed in Germany. A policy of continuous improvement is followed and the right to alter any published data without notice is reserved. ERNI<sup>®</sup>, MicroStac<sup>®</sup>, MicroSpeed<sup>®</sup>, MiniBridge<sup>®</sup>, MaxiBridge<sup>®</sup>, ERmet<sup>®</sup>, ERmet ZD<sup>®</sup>, ERbic<sup>®</sup> and ERNIPRESS<sup>®</sup> are trademarks (registered or applied for in various countries) of ERNI Electronics GmbH & Co. KG.

# Mouser Electronics

Authorized Distributor

Click to View Pricing, Inventory, Delivery & Lifecycle Information:

[ERNI Electronics:](#)

[835284](#) [834899](#) [835243](#) [835283](#) [834898](#)

Компания «Океан Электроники» предлагает заключение долгосрочных отношений при поставках импортных электронных компонентов на взаимовыгодных условиях!

Наши преимущества:

- Поставка оригинальных импортных электронных компонентов напрямую с производств Америки, Европы и Азии, а так же с крупнейших складов мира;
- Широкая линейка поставок активных и пассивных импортных электронных компонентов (более 30 млн. наименований);
- Поставка сложных, дефицитных, либо снятых с производства позиций;
- Оперативные сроки поставки под заказ (от 5 рабочих дней);
- Экспресс доставка в любую точку России;
- Помощь Конструкторского Отдела и консультации квалифицированных инженеров;
- Техническая поддержка проекта, помощь в подборе аналогов, поставка прототипов;
- Поставка электронных компонентов под контролем ВП;
- Система менеджмента качества сертифицирована по Международному стандарту ISO 9001;
- При необходимости вся продукция военного и аэрокосмического назначения проходит испытания и сертификацию в лаборатории (по согласованию с заказчиком);
- Поставка специализированных компонентов военного и аэрокосмического уровня качества (Xilinx, Altera, Analog Devices, Intersil, Interpoint, Microsemi, Actel, Aeroflex, Peregrine, VPT, Syfer, Eurofarad, Texas Instruments, MS Kennedy, Miteq, Cobham, E2V, MA-COM, Hittite, Mini-Circuits, General Dynamics и др.);

Компания «Океан Электроники» является официальным дистрибьютором и эксклюзивным представителем в России одного из крупнейших производителей разъемов военного и аэрокосмического назначения «JONHON», а так же официальным дистрибьютором и эксклюзивным представителем в России производителя высокотехнологичных и надежных решений для передачи СВЧ сигналов «FORSTAR».



## JONHON

«JONHON» (основан в 1970 г.)

Разъемы специального, военного и аэрокосмического назначения:

(Применяются в военной, авиационной, аэрокосмической, морской, железнодорожной, горно- и нефтедобывающей отраслях промышленности)

«FORSTAR» (основан в 1998 г.)

ВЧ соединители, коаксиальные кабели,  
кабельные сборки и микроволновые компоненты:

(Применяются в телекоммуникациях гражданского и специального назначения, в средствах связи, РЛС, а так же военной, авиационной и аэрокосмической отраслях промышленности).



Телефон: 8 (812) 309-75-97 (многоканальный)

Факс: 8 (812) 320-03-32

Электронная почта: [ocean@oceanchips.ru](mailto:ocean@oceanchips.ru)

Web: <http://oceanchips.ru/>

Адрес: 198099, г. Санкт-Петербург, ул. Калинина, д. 2, корп. 4, лит. А