

NLSV4T3234

4-Bit Dual-Supply Bus Buffer Level Translator with 26 Ω Output Series Resistor

The NLSV4T3234 is a 4-bit configurable dual-supply voltage level translator. The input (B-) and output (A-) ports are designed to track two different power supply rails, V_{CCB} and V_{CCA} respectively. Both supply rails are configurable from 0.9 V to 4.5 V, allowing high-to-low and low-to-high voltage translation from the input (B-) to the output (A-) port.

The NLSV4T3234 is a low power voltage translator that contains series output resistors, and overvoltage tolerant (OVT) input and output protection. The 26 Ω series resistor on the output drivers minimizes ringing on the logic transition edges. The OVT feature allows the NLSV4T3234 to translate input signals greater than the input power supply V_{CCB} and protects the IC from damage if a signal is connected to an output pin that is greater than V_{CCA} .

Features

- Wide V_{CCA} and V_{CCB} Operating Range: 0.9 V to 4.5 V
- High-Speed Logic Voltage Translation
- 26 Ω Series Resistors on Outputs (A-) Reduce Ground Bounce and Overshoot
- Overvoltage Tolerant (OVT) Inputs and Outputs to 4.5 V
- Non-preferential Power Supply Sequencing
- Outputs At 3-State Until Active V_{CC} Is Reached
- Outputs Switch to 3-State with V_{CCA} at GND
- Ultra-Small Packaging: 1.41 mm x 2.04 mm Flip-Chip¹¹
- RoHS Compliant
- This is a Pb-Free Device*

Typical Applications

- Mobile Phones, PDAs, Other Portable Devices

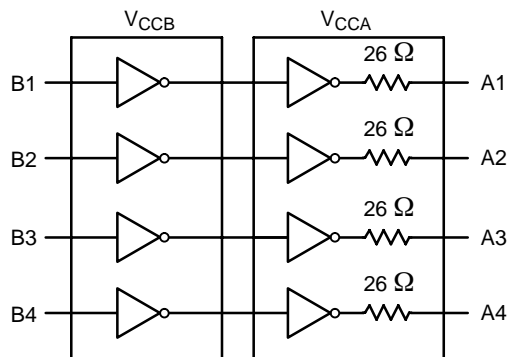


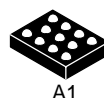
Figure 1. Logic Diagram



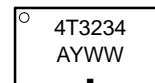
ON Semiconductor®

<http://onsemi.com>

MARKING DIAGRAM

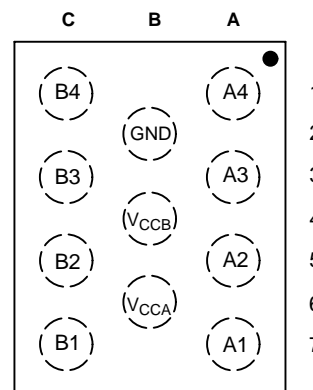


11 PIN FLIP-CHIP
FC SUFFIX
CASE 766AJ



4T3234 = Specific Device Code
A = Assembly Location
Y = Year
WW = Work Week
▪ = Pb-Free Package

PIN ASSIGNMENT



(Top View)

ORDERING INFORMATION

Device	Package	Shipping†
NLSV4T3234FCT1G	Flip-Chip11 (Pb-Free)	3000/ Tape & Reel

†For information on tape and reel specifications, including part orientation and tape sizes, please refer to our Tape and Reel Packaging Specification Brochure, BRD8011/D.

*For additional information on our Pb-Free strategy and soldering details, please download the ON Semiconductor Soldering and Mounting Techniques Reference Manual, SOLDERRM/D.

NLSV4T3234

PIN NAMES

PIN	Description
V _{CCB}	Input Port DC Power Supply
V _{CCA}	Output Port DC Power Supply
GND	Ground
B _n	Input Port
A _n	Output Port

TRUTH TABLE

Inputs (B _n)	Outputs (A _n)
L	L
H	H

PIN DESCRIPTION

Pin	Symbol	Description
A1	A4	Data Output
A3	A3	Data Output
A5	A2	Data Output
A7	A1	Data Output
B2	GND	Ground
B4	V _{CCB}	Input Power Supply
B6	V _{CCA}	Output Power Supply
C1	B4	Data Input
C3	B3	Data Input
C5	B2	Data Input
C7	B1	Data Input

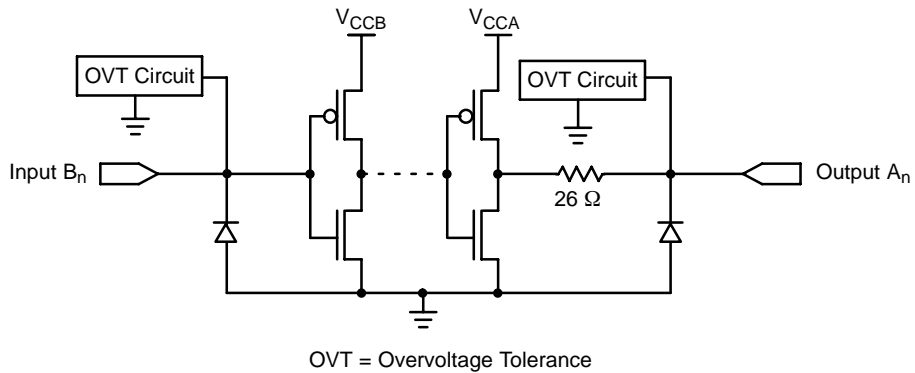


Figure 2. Simplified Input and Output Circuit Schematic

NLSV4T3234

MAXIMUM RATINGS

Symbol	Rating	Value	Condition	Unit
V_{CCA}, V_{CCB}	DC Supply Voltage	-0.5 to +5.5		V
V_I	DC Input Voltage (Power Down) B_n	-0.5 to +5.5	$V_{CCA} = V_{CCB} = 0$	V
	(Active Mode) B_n	-0.5 to +5.5		
V_O	DC Output Voltage (Power Down) A_n	-0.5 to +5.5	$V_{CCA} = V_{CCB} = 0$	V
	(Active Mode) A_n	-0.5 to +5.5		V
I_{IK}	DC Input Diode Current	-20		mA
I_{OK}	DC Output Diode Current	-50	$V_O > V_{CC}; V_O < GND$	mA
I_O	DC Output Source/Sink Current	± 50		mA
I_{CCA}, I_{CCB}	DC Supply Current Per Supply Pin	± 100		mA
I_{GND}	DC Ground Current per Ground Pin	± 100		mA
T_{STG}	Storage Temperature	-65 to +150		°C

Stresses exceeding Maximum Ratings may damage the device. Maximum Ratings are stress ratings only. Functional operation above the Recommended Operating Conditions is not implied. Extended exposure to stresses above the Recommended Operating Conditions may affect device reliability.

RECOMMENDED OPERATING CONDITIONS

Symbol	Parameter	Min	Max	Unit	
V_{CCA}, V_{CCB}	Positive DC Supply Voltage	0.9	4.5	V	
V_{IB}	Bus Input Voltage (B_n)	GND	4.5	V	
V_{IA}	Bus Output Voltage (A_n) (Power Down Mode)	GND	4.5	V	
	(Active Mode)	GND	V_{CCA}	V	
T_A	Operating Temperature Range	-40	+85	°C	
$\Delta t / \Delta V$	Input Transition Rise or Rate (Note 1)	$V_{CCB} = 3.6$ to 4.5 V	0	10	nS/V
		$V_{CCB} = 2.3$ to 3.5 V	0	20	nS/V
		$V_{CCB} = 0.9$ to 2.2 V	0	100	nS/V

1. V_I from 0.8 V to 2.0 V at $V_{CC} = 3.0$ V

NLSV4T3234

DC ELECTRICAL CHARACTERISTICS

Symbol	Parameter	V _{C_{CB}} (V)	V _{C_{CA}} (V)	Test Conditions	-40°C to +85°C		Unit
					Min	Max	
V _{IHB}	Input HIGH Voltage	3.6 – 4.5	0.9 – 4.5		2.3	–	V
		2.7 – 3.6			2.0	–	
		2.3 – 2.7			1.6	–	
		1.4 – 2.3			0.65 * V _{C_{CB}}	–	
		0.9 – 1.4			0.9 * V _{C_{CB}}	–	
V _{ILB}	Input LOW Voltage	3.6 – 4.5	0.9 – 4.5		–	0.8	V
		2.7 – 3.6			–	0.8	
		2.3 – 2.7			–	0.7	
		1.4 – 2.3			–	0.35 * V _{C_{CB}}	
		0.9 – 1.4			–	0.1 * V _{C_{CB}}	
V _{OHA}	Output HIGH Voltage	0.9 – 4.5	0.9 – 4.5	I _{OH} = -100 μA; V _I = V _{IH}	V _{C_{CA}} - 0.2	–	V
			0.9	I _{OH} = -0.5 mA; V _I = V _{IH}	0.75 * V _{C_{CA}}	–	
			1.4	I _{OH} = -2 mA; V _I = V _{IH}	1.05	–	
			1.65	I _{OH} = -6 mA; V _I = V _{IH}	1.25	–	
			2.3		2.0	–	
			2.3	I _{OH} = -12 mA; V _I = V _{IH}	1.8	–	
			2.7		2.2	–	
			2.3	I _{OH} = -18 mA; V _I = V _{IH}	1.7	–	
			3.0		2.4	–	
3.0	I _{OH} = -24 mA; V _I = V _{IH}	2.2	–				
V _{OLA}	Output LOW Voltage	0.9 – 4.5	0.9 – 4.5	I _{OL} = 100 μA; V _I = V _{IL}	–	0.2	V
			1.1	I _{OL} = 0.5 mA; V _I = V _{IH}	–	0.3 * V _{C_{CA}}	
			1.4	I _{OL} = 2 mA; V _I = V _{IH}	–	0.35	
			1.65	I _{OL} = 6 mA; V _I = V _{IL}	–	0.3	
			2.3	I _{OL} = 12 mA; V _I = V _{IL}	–	0.4	
			2.7		–	0.4	
			2.3	I _{OL} = 18 mA; V _I = V _{IL}	–	0.6	
			3.0		–	0.4	
3.0	I _{OL} = 24 mA; V _I = V _{IL}	–	0.55				
I _I	Input Leakage Current	0.9 – 4.5	0.9 – 4.5	V _I = V _{C_{CB}} or GND	–	±1.0	μA
I _{OFF}	Power-Off Leakage Current	0	0	V _I or V _O = 0 to 4.5 V	–	±3.0	μA
I _{CCA} , I _{CCB}	Quiescent Supply Current	0.9 – 4.5	0.9 – 4.5	V _I = V _{C_{CB}} or GND; I _O = 0	–	±1.5	μA
I _{CCA} + I _{CCB}	Quiescent Supply Current	0.9 – 4.5	0.9 – 4.5	V _I = V _{C_{CB}} or GND; I _O = 0	–	±3.0	μA
ΔI _{CCB}	Increase in I _{CC} per Input Voltage, Other Inputs at V _{CC} or GND	4.5	4.5	V _I = V _{C_{CB}} - 0.6 V; V _I = V _{C_{CB}} or GND	–	500.0	μA

NLSV4T3234

AC ELECTRICAL CHARACTERISTICS

Symbol	Parameter	V _{CCB} (V)	-40°C to +85°C										Unit
			V _{CCA} (V)										
			1.5		1.8		2.8		3.3		4.5		
			Min	Max	Min	Max	Min	Max	Min	Max	Min	Max	
t _{PLH} , t _{PHL}	Propagation Delay B _n to A _n (C _L = 15 pF, R _L = 2 kΩ) (Note 2)	1.5	-	5.2	-	4.5	-	3.9	-	3.8	-	3.7	nS
		1.8	-	4.9	-	4.3	-	3.8	-	3.4	-	3.5	
		2.8	-	4.7	-	4.2	-	3.4	-	3.3	-	3.2	
		3.3	-	4.6	-	4.0	-	3.4	-	3.3	-	3.1	
		4.5	-	4.6	-	4.0	-	3.5	-	3.3	-	3.1	
t _{PLH} , t _{PHL}	Propagation Delay B _n to A _n (C _L = 30 pF, R _L = 2 kΩ) (Note 2)	1.5	-	5.6	-	4.8	-	4.2	-	4.2	-	4.5	nS
		1.8	-	5.4	-	4.6	-	3.9	-	3.9	-	3.8	
		2.8	-	5.2	-	4.4	-	3.7	-	3.7	-	3.3	
		3.3	-	5.1	-	4.1	-	3.6	-	3.6	-	3.2	
		4.5	-	5.1	-	3.8	-	3.1	-	3.0	-	3.0	
t _{OSLH} , t _{OSSL}	Output to Output Skew Time (Notes 3 & 4)	1.5	-	0.2	-	0.2	-	0.2	-	0.2	-	0.2	nS
		1.8	-	0.2	-	0.2	-	0.2	-	0.2	-	0.2	
		2.8	-	0.2	-	0.2	-	0.2	-	0.2	-	0.2	
		3.3	-	0.2	-	0.2	-	0.2	-	0.2	-	0.2	
		4.5	-	0.2	-	0.2	-	0.2	-	0.2	-	0.2	

2. Propagation delays defined per Figure 3.

3. Skew is defined as the absolute value of the difference between the actual propagation delay for any two outputs of the same device switching in the same direction, either HIGH or LOW (t_{OSLH} = | t_{PLHm} - t_{PLHn} |, t_{OSSL} = | t_{PHLm} - t_{PHLn} |).

4. Parameter guaranteed by design.

DYNAMIC SWITCHING CHARACTERISTICS

Symbol	Parameter	T _A = 25 °C			Typ	Unit
		V _{CCB} (V)	V _{CCA} (V)	Test Conditions		
V _{OLPA}	Dynamic Low Level Quiet An Output (overshoot)	1.8	1.8	C _L = 30 pF V _{IL} = 0V V _{IH} = V _{CCB}	0.1	V
		2.8	2.8		0.25	
		3.6	3.6		0.35	
V _{OLVA}	Dynamic Low Level Quiet An Output (ground bounce)	1.8	1.8	C _L = 30 pF V _{IL} = 0V V _{IH} = V _{CCB}	-0.1	V
		2.8	2.8		-0.25	
		3.6	3.6		-0.35	
V _{OHVA}	Dynamic Low Level Quiet An Output	1.8	1.8	C _L = 30 pF V _{IL} = 0V V _{IH} = V _{CCB}	1.6	V
		2.8	2.8		2.6	
		3.6	3.6		3.3	

CAPACITANCE

Symbol	Parameter	Test Conditions	Typ (Note 5)	Unit
C _{IN}	Input Capacitance	V _{CCA} = V _{CCB} = 3.3 V, V _I = 0 V or V _{CCB}	3.5	pF
C _O	Output Capacitance	V _{CCA} = V _{CCB} = 3.3 V, V _I = 0 V or V _{CCB}	5.0	pF
C _{PD}	Power Dissipation Capacitance (Note 6)	V _{CCA} = V _{CCB} = 1.8, 2.8 or 3.6 V, V _I = 0 V or V _{CCB} , f = 1 MHz	28	pF

5. Typical values are at T_A = +25°C

6. C_{PD} is defined as the value of the IC's equivalent capacitance from which the operating current can be calculated from:
I_{CC(operating)} = C_{PD} × V_{CC} × f_{IN} + I_{CC}/4 (per circuit).

NLSV4T3234

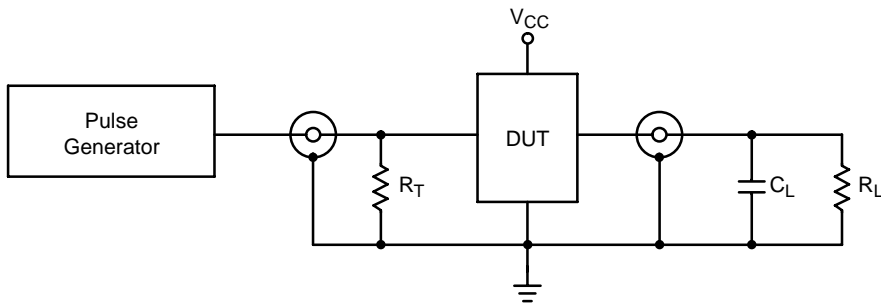
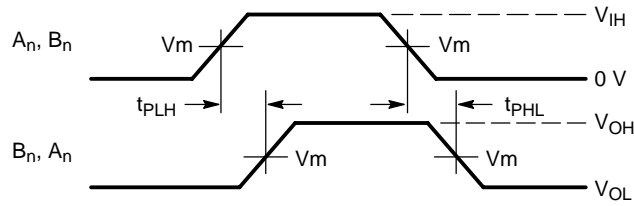


Figure 3. AC (Propagation Delay) Test Circuit

Test
t_{PLH} , t_{PHL} , t_{OSLH} , t_{OSHL}
$C_L = 15 \text{ pF} / 30 \text{ pF}$ or equivalent (includes probe and jig capacitance) $R_L = 2 \text{ k}\Omega$ or equivalent Z_{OUT} of pulse generator = 50Ω $R_T = 50 \Omega$



Waveform 1 - Propagation Delays

$t_R = t_F = 2.0 \text{ ns}$, 10% to 90%; $f = 1 \text{ MHz}$; $t_W = 500 \text{ ns}$

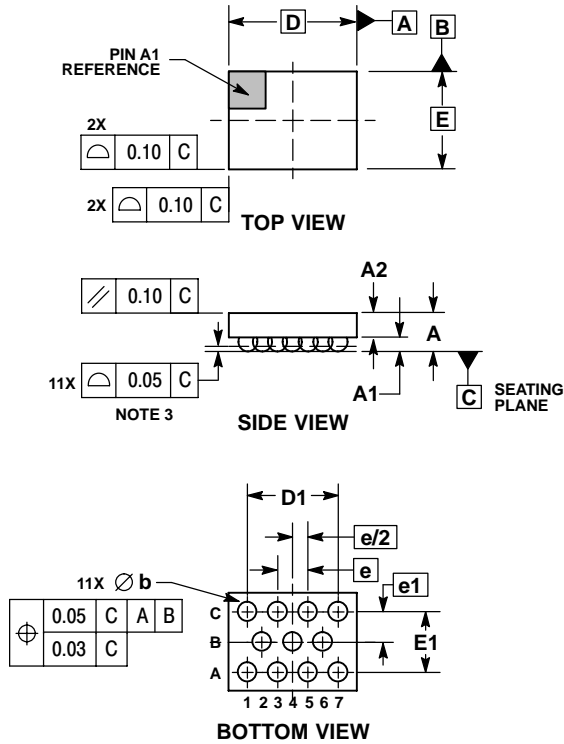
Figure 4. AC Waveforms

Symbol	V _{CC}
	1.5 V, 1.8 V, 2.8 V, 3.3 V, 4.5 V
V _{mA}	V _{CCA} /2
V _{mB}	V _{CCB} /2

NLSV4T3234

PACKAGE DIMENSIONS

11 PIN FLIP-CHIP, 2.04x1.41, 0.5P CASE 766AJ-01 ISSUE O



NOTES:

1. DIMENSIONING AND TOLERANCING PER ASME Y14.5M, 1994.
2. CONTROLLING DIMENSION: MILLIMETERS.
3. COPLANARITY APPLIES TO SPHERICAL CROWNS OF SOLDER BALLS.

DIM	MILLIMETERS	
	MIN	MAX
A	---	0.66
A1	0.21	0.27
A2	0.33	0.39
b	0.29	0.34
D	2.04 BSC	
D1	1.50 BSC	
E	1.41 BSC	
E1	0.86 BSC	
e	0.50 BSC	
e1	0.43 BSC	

ON Semiconductor and are registered trademarks of Semiconductor Components Industries, LLC (SCILLC). SCILLC reserves the right to make changes without further notice to any products herein. SCILLC makes no warranty, representation or guarantee regarding the suitability of its products for any particular purpose, nor does SCILLC assume any liability arising out of the application or use of any product or circuit, and specifically disclaims any and all liability, including without limitation special, consequential or incidental damages. "Typical" parameters which may be provided in SCILLC data sheets and/or specifications can and do vary in different applications and actual performance may vary over time. All operating parameters, including "Typicals" must be validated for each customer application by customer's technical experts. SCILLC does not convey any license under its patent rights nor the rights of others. SCILLC products are not designed, intended, or authorized for use as components in systems intended for surgical implant into the body, or other applications intended to support or sustain life, or for any other application in which the failure of the SCILLC product could create a situation where personal injury or death may occur. Should Buyer purchase or use SCILLC products for any such unintended or unauthorized application, Buyer shall indemnify and hold SCILLC and its officers, employees, subsidiaries, affiliates, and distributors harmless against all claims, costs, damages, and expenses, and reasonable attorney fees arising out of, directly or indirectly, any claim of personal injury or death associated with such unintended or unauthorized use, even if such claim alleges that SCILLC was negligent regarding the design or manufacture of the part. SCILLC is an Equal Opportunity/Affirmative Action Employer. This literature is subject to all applicable copyright laws and is not for resale in any manner.

PUBLICATION ORDERING INFORMATION

LITERATURE FULFILLMENT:
Literature Distribution Center for ON Semiconductor
P.O. Box 5163, Denver, Colorado 80217 USA
Phone: 303-675-2175 or 800-344-3860 Toll Free USA/Canada
Fax: 303-675-2176 or 800-344-3867 Toll Free USA/Canada
Email: orderlit@onsemi.com

N. American Technical Support: 800-282-9855 Toll Free
USA/Canada
Europe, Middle East and Africa Technical Support:
Phone: 421 33 790 2910
Japan Customer Focus Center
Phone: 81-3-5773-3850

ON Semiconductor Website: www.onsemi.com
Order Literature: <http://www.onsemi.com/orderlit>

For additional information, please contact your local Sales Representative

Компания «Океан Электроники» предлагает заключение долгосрочных отношений при поставках импортных электронных компонентов на взаимовыгодных условиях!

Наши преимущества:

- Поставка оригинальных импортных электронных компонентов напрямую с производств Америки, Европы и Азии, а так же с крупнейших складов мира;
- Широкая линейка поставок активных и пассивных импортных электронных компонентов (более 30 млн. наименований);
- Поставка сложных, дефицитных, либо снятых с производства позиций;
- Оперативные сроки поставки под заказ (от 5 рабочих дней);
- Экспресс доставка в любую точку России;
- Помощь Конструкторского Отдела и консультации квалифицированных инженеров;
- Техническая поддержка проекта, помощь в подборе аналогов, поставка прототипов;
- Поставка электронных компонентов под контролем ВП;
- Система менеджмента качества сертифицирована по Международному стандарту ISO 9001;
- При необходимости вся продукция военного и аэрокосмического назначения проходит испытания и сертификацию в лаборатории (по согласованию с заказчиком);
- Поставка специализированных компонентов военного и аэрокосмического уровня качества (Xilinx, Altera, Analog Devices, Intersil, Interpoint, Microsemi, Actel, Aeroflex, Peregrine, VPT, Syfer, Eurofarad, Texas Instruments, MS Kennedy, Miteq, Cobham, E2V, MA-COM, Hittite, Mini-Circuits, General Dynamics и др.);

Компания «Океан Электроники» является официальным дистрибьютором и эксклюзивным представителем в России одного из крупнейших производителей разъемов военного и аэрокосмического назначения «**JONHON**», а так же официальным дистрибьютором и эксклюзивным представителем в России производителя высокотехнологичных и надежных решений для передачи СВЧ сигналов «**FORSTAR**».



JONHON

«**JONHON**» (основан в 1970 г.)

Разъемы специального, военного и аэрокосмического назначения:

(Применяются в военной, авиационной, аэрокосмической, морской, железнодорожной, горно- и нефтедобывающей отраслях промышленности)

«**FORSTAR**» (основан в 1998 г.)

ВЧ соединители, коаксиальные кабели, кабельные сборки и микроволновые компоненты:

(Применяются в телекоммуникациях гражданского и специального назначения, в средствах связи, РЛС, а так же военной, авиационной и аэрокосмической отраслях промышленности).



Телефон: 8 (812) 309-75-97 (многоканальный)

Факс: 8 (812) 320-03-32

Электронная почта: ocean@oceanchips.ru

Web: <http://oceanchips.ru/>

Адрес: 198099, г. Санкт-Петербург, ул. Калинина, д. 2, корп. 4, лит. А