

MAX690T/S/R, MAX704T/S/R, MAX802T/S/R, MAX804–MAX806T/S/R

3.0V/3.3V Microprocessor Supervisory Circuits

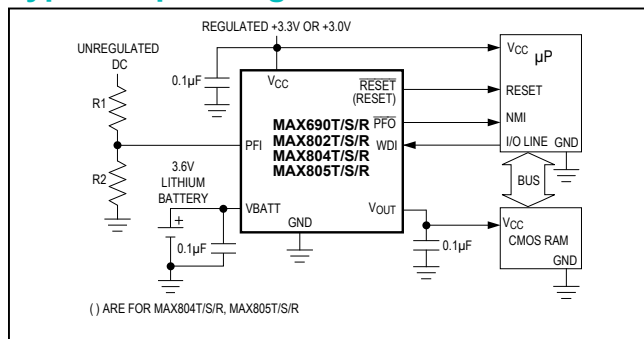
General Description

These microprocessor (μP) supervisory circuits reduce the complexity and number of components required for power-supply monitoring and battery-control functions in μP systems. They significantly improve system reliability and accuracy compared to separate ICs or discrete components.

These devices are designed for use in systems powered by 3.0V or 3.3V supplies. See the selector guide in the back of this data sheet for similar devices designed for 5V systems. The suffixes denote different reset threshold voltages: 3.075V (T), 2.925V (S), and 2.625V (R) (see the *Reset Threshold* section in the *Detailed Description*). All these parts are available in 8-pin DIP and SO packages. Functions offered in this series are as follows:

| | Active-Low Reset | Active-High Reset | Watchdog Input | Manual Reset Input | Backup-Battery Switch | Threshold Accuracy | Power-Fail Comparator | Power-Fail Comparator | Reset Window |
|--------|------------------|-------------------|----------------|--------------------|-----------------------|--------------------|-----------------------|-----------------------|--------------|
| MAX690 | ✓ | | | ✓ | | ±4% | ✓ | ✓ | ±75mV |
| MAX704 | ✓ | | | | ✓ | ±4% | ✓ | ✓ | ±75mV |
| MAX802 | ✓ | | | ✓ | | ±2% | ✓ | ✓ | ±2% |
| MAX804 | | ✓ | ✓ | | | ±2% | ✓ | ✓ | ±2% |
| MAX805 | | ✓ | ✓ | | | ±4% | ✓ | ✓ | ±75mV |
| MAX806 | ✓ | | | | ✓ | ±2% | ✓ | ✓ | ±2% |

Typical Operating Circuits



Typical Operating Circuits continued at at end of data sheet.

Features

- $\overline{\text{RESET}}$ and RESET Outputs
- Manual Reset Input
- Precision Supply-Voltage Monitor
- 200ms Reset Time Delay
- Watchdog Timer (1.6sec timeout)
- Battery-Backup Power Switching—Battery Can Exceed V_{CC} in Normal Operation
- 40 μA V_{CC} Supply Current
- 1 μA Battery Supply Current
- Voltage Monitor for Power-Fail or Low-Battery Warning
- Guaranteed $\overline{\text{RESET}}$ Assertion to $V_{\text{CC}} = 1\text{V}$
- 8-Pin DIP and SO Packages

Applications

- Battery-Powered Computers and Controllers
- Embedded Controllers
- Intelligent Instruments
- Critical μP Power Monitoring
- Portable Equipment

Ordering Information

| PART** | TEMP RANGE | PIN-PACKAGE |
|------------|-----------------|---------------|
| MAX690_CPA | 0°C to +70°C | 8 Plastic DIP |
| MAX690_CSA | 0°C to +70°C | 8 SO |
| MAX690_C/D | 0°C to +70°C | Dice* |
| MAX690_EPA | -40°C to +85°C | 8 Plastic DIP |
| MAX690_ESA | -40°C to +85°C | 8 SO |
| MAX690_MJA | -55°C to +125°C | 8 CERDIP |

Ordering Information continued at end of data sheet.

*Contact factory for dice specifications.

**These parts offer a choice of reset threshold voltage. Select the letter corresponding to the desired nominal reset threshold voltage (T = 3.075V, S = 2.925V, R = 2.625V) and insert it into the blank to complete the part number.

Devices in PDIP and SO packages are available in both leaded and lead(Pb)-free packaging. Specify lead free by adding the + symbol at the end of the part number when ordering. Lead free not available for CERDIP package.

Pin Configuration appears at end of data sheet.

Absolute Maximum Ratings

Terminal Voltage (with respect to GND)

| | |
|-----------------------|---|
| V _{CC} | -0.3V to +6.0V |
| VBATT | -0.3V to +6.0V |
| All Other Inputs..... | -0.3V to the higher of V _{CC} or VBATT |

Continuous Input Current

| | |
|-----------------------|-------|
| V _{CC} | 100mA |
| VBATT | 18mA |
| GND..... | 18mA |

Output Current

| | |
|------------------------|-------|
| RESET, PFO | 18mA |
| V _{OUT} | 100mA |

Continuous Power Dissipation (T_A = +70°C)

| | |
|---|-------|
| Plastic DIP (derate 9.09mW/°C above +70°C)..... | 727mW |
| SO (derate 5.88mW/°C above +70°C)..... | 471mW |
| CERDIP (derate 8.00mW/°C above +70°C)..... | 640mW |

Operating Temperature Ranges

| | |
|--|-----------------|
| MAX690_C_/MAX704_C_/MAX80__C_..... | 0°C to +70°C |
| MAX690_E_/MAX704_E_/MAX80__E_..... | -40°C to +85°C |
| MAX690_M_/MAX704_M_/MAX80__M_..... | -55°C to +125°C |
| Storage Temperature Range..... | -65°C to +160°C |
| Lead Temperature (soldering, 10s)..... | +300°C |

Stresses beyond those listed under "Absolute Maximum Ratings" may cause permanent damage to the device. These are stress ratings only, and functional operation of the device at these or any other conditions beyond those indicated in the operational sections of the specifications is not implied. Exposure to absolute maximum rating conditions for extended periods may affect device reliability.

Electrical Characteristics

(V_{CC} = 3.17V to 5.5V for the MAX690T/MAX704T/MAX80_T, V_{CC} = 3.02V to 5.5V for the MAX690S/MAX704S/MAX80_S, V_{CC} = 2.72V to 5.5V for the MAX690R/MAX704R/MAX80_R; VBATT = 3.6V; T_A = T_{MIN} to T_{MAX}; unless otherwise noted. Typical values are at T_A = +25°C.)

| PARAMETER | SYMBOL | CONDITIONS | MIN | TYP | MAX | UNITS |
|--|---------------------|---|-------------------------|-------------------------|-----|-------|
| Operating Voltage Range, V _{CC} , VBATT (Note 1) | | MAX690_C, MAX704_C, MAX80__C | 1.0 | | 5.5 | V |
| | | MAX690_E/M, MAX704_E/M, MAX80__E/M | 1.1 | | 5.5 | |
| V _{CC} Supply Current (excluding I _{OUT}) | I _{SUPPLY} | MAX690_C/E, MAX704_C/E, MAX80__C/E, V _{CC} < 3.6V | | 40 | 50 | μA |
| | | MAX690_C/E, MAX704_C/E, MAX80__C/E, V _{CC} < 5.5V | | 50 | 65 | |
| | | MAX690_M, MAX704_M, MAX80__M, V _{CC} < 3.6V | | 40 | 55 | |
| | | MAX690_M, MAX704_M, MAX80__M, V _{CC} < 5.5V | | 50 | 70 | |
| V _{CC} Supply Current in Battery-Backup Mode(excluding I _{OUT}) | | $\overline{MR} = V_{CC}$ (MAX704_/MAX806_) V _{CC} = 2.0V, VBATT = 2.3V | | 25 | 50 | μA |
| VBATT Supply Current, Any Mode (excluding I _{OUT}) (Note 2) | | MAX690_C/E, MAX704_C/E, MAX80__C/E | | 0.4 | 1 | μA |
| | | MAX690_M, MAX704_M, MAX80__M | | 0.4 | 10 | |
| Battery Leakage Current (Note 3) | | MAX690_C/E, MAX704_C/E, MAX80__C/E | | 0.01 | 0.5 | μA |
| | | MAX690_M, MAX704_M, MAX80__M | | 0.01 | 5 | |
| V _{OUT} Output Voltage | | MAX690_C/E, MAX704_C/E, MAX80__C/E, I _{OUT} = 5mA (Note 4) | V _{CC} -0.3 | V _{CC} -0.015 | | V |
| | | MAX690_C/E, MAX704_C/E, MAX80__C/E, I _{OUT} = 50mA | V _{CC} -0.3 | V _{CC} -0.15 | | |
| | | MAX690_M, MAX704_M, MAX80__M, I _{OUT} = 5mA (Note 4) | V _{CC} -0.035 | V _{CC} -0.015 | | |
| | | MAX690_M, MAX704_M, MAX80__M, I _{OUT} = 50mA | V _{CC} -0.35 | V _{CC} -0.15 | | |
| | | I _{OUT} = 250μA, V _{CC} > 2.5V (Note 4) | V _{CC} -0.0015 | V _{CC} -0.0006 | | |

Electrical Characteristics (continued)

(V_{CC} = 3.17V to 5.5V for the MAX690T/MAX704T/MAX80_T, V_{CC} = 3.02V to 5.5V for the MAX690S/MAX704S/MAX80_S, V_{CC} = 2.72V to 5.5V for the MAX690R/MAX704R/MAX80_R; V_{BATT} = 3.6V; T_A = T_{MIN} to T_{MAX} ; unless otherwise noted. Typical values are at T_A = +25°C.)

| PARAMETER | SYMBOL | CONDITIONS | MIN | TYP | MAX | UNITS | |
|--|-----------|---|---------------------------|--------------------|-------|---------|---|
| V_{OUT} in Battery-Backup Mode | | I_{OUT} = 250 μ A, V_{BATT} = 2.3V | V_{BATT} - 0.1 | V_{BATT} - 0.034 | | V | |
| | | I_{OUT} = 1mA, V_{BATT} = 2.3V | | V_{BATT} - 0.14 | | | |
| Battery Switch Threshold, V_{CC} Falling | | $V_{BATT} - V_{CC}$, $V_{SW} > V_{CC} > 1.75V$ (Note 5) | 65 | 25 | | mV | |
| | V_{SW} | $V_{BATT} > V_{CC}$ (Note 6) | 2.30 | 2.40 | 2.50 | V | |
| Battery Switch Threshold, V_{CC} Rising (Note 7) | | This value is identical to the reset threshold, V_{CC} rising | | | | V | |
| Reset Threshold (Note 8) | V_{RST} | MAX690T/704T/805T | V_{CC} falling | 3.00 | 3.075 | 3.15 | V |
| | | | V_{CC} rising | 3.00 | 3.085 | 3.17 | |
| | | MAX802T/804T/806T | V_{CC} falling | 3.00 | 3.075 | 3.12 | |
| | | | V_{CC} rising | 3.00 | 3.085 | 3.14 | |
| | | MAX690S/704S/805S | V_{CC} falling | 2.85 | 2.925 | 3.00 | |
| | | | V_{CC} rising | 2.85 | 2.935 | 3.02 | |
| | | MAX802S/804S/806S | V_{CC} falling | 2.88 | 2.925 | 3.00 | |
| | | | V_{CC} rising | 2.88 | 2.935 | 3.02 | |
| | | MAX690R/704R/805R | V_{CC} falling | 2.55 | 2.625 | 2.70 | |
| | | | V_{CC} rising | 2.55 | 2.635 | 2.72 | |
| | | MAX802R/804R/806S | V_{CC} falling | 2.59 | 2.625 | 2.70 | |
| | | | V_{CC} rising | 2.59 | 2.635 | 2.72 | |
| Reset Timeout Period | t_{WP} | $V_{CC} < 3.6V$ | 140 | 200 | 280 | ms | |
| \overline{PFO} , \overline{RESET} Output Voltage | V_{OH} | $I_{SOURCE} = 50\mu A$ | $V_{CC} - 0.3$ | $V_{CC} - 0.05$ | | V | |
| \overline{PFO} , \overline{RESET} Output Short to GND Current (Note 4) | I_{OS} | $V_{CC} = 3.3V$, $V_{OH} = 0V$ | | 180 | 500 | μV | |
| \overline{PFO} , \overline{RESET} , \overline{RESET} Output Voltage | V_{OL} | $I_{SINK} = 1.2mA$; MAX690_/704_/802_/806_, $V_{CC} = V_{RST}$ min; MAX804_/805_, $V_{CC} = V_{RST}$ max | | 0.06 | 0.3 | V | |
| \overline{PFO} , \overline{RESET} Output Voltage | V_{OL} | $V_{BATT} = 0V$, $V_{CC} = 1.0V$, $I_{SINK} = 40\mu A$, MAX690_C, MAX704_C, MAX80_C | | 0.13 | 0.3 | V | |
| | | $V_{BATT} = 0V$, $V_{CC} = 1.2V$, $I_{SINK} = 200\mu A$, MAX690_E/M, MAX704_E/M, MAX80_E/M | | 0.17 | 0.3 | | |
| RESET Output Leakage Current (Note 9) | | $V_{BATT} = 0V$, $V_{CC} = V_{RST}$ min; $V_{RESET} = 0V$, V_{CC} | MAX804_C, MAX805_C | -1 | +1 | μA | |
| | | | MAX804_E/M, MAX805_E/M | -10 | +10 | | |

Electrical Characteristics (continued)

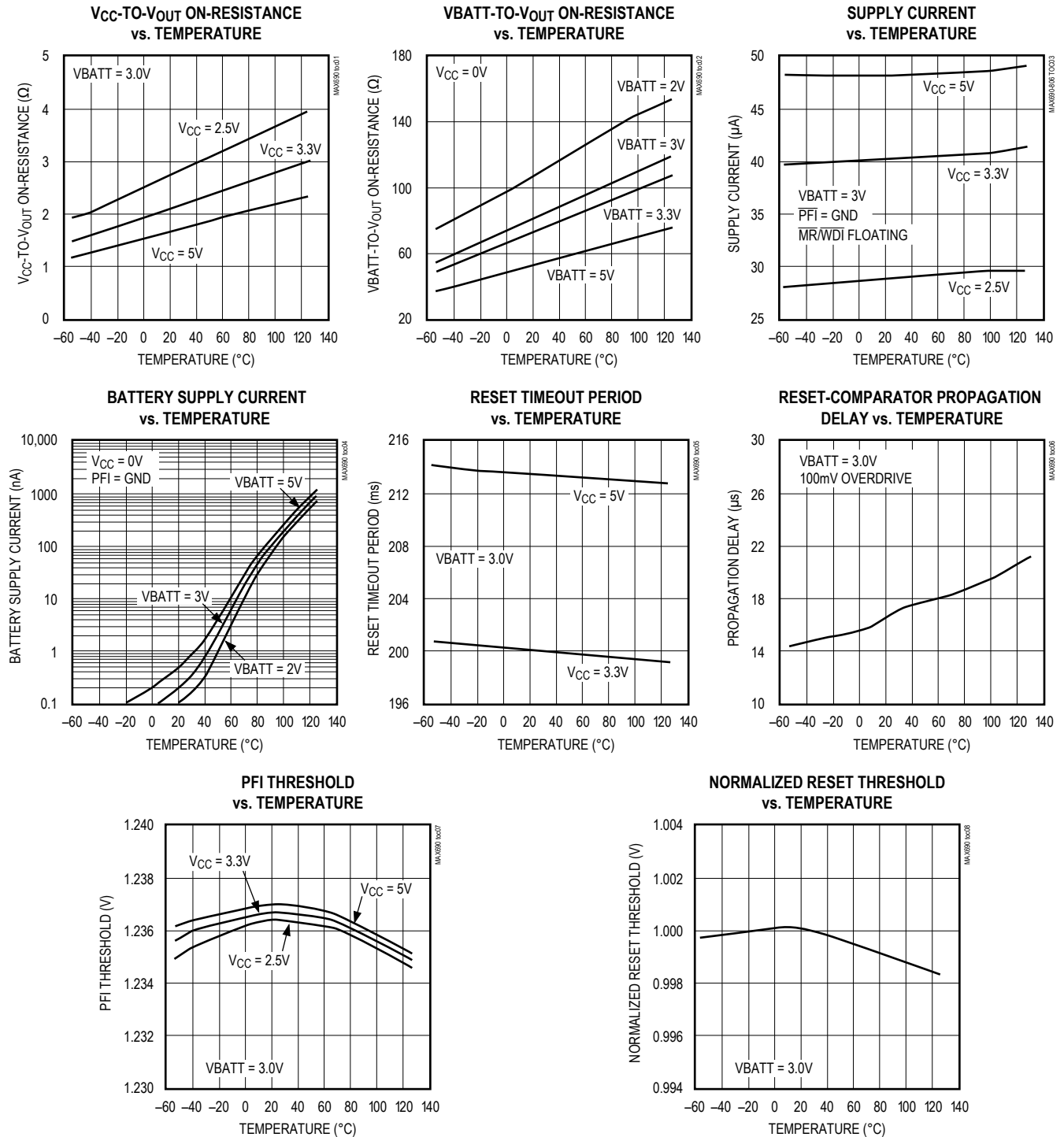
(V_{CC} = 3.17V to 5.5V for the MAX690T/MAX704T/MAX80_T, V_{CC} = 3.02V to 5.5V for the MAX690S/MAX704S/MAX80_S, V_{CC} = 2.72V to 5.5V for the MAX690R/MAX704R/MAX80_R; V_{BATT} = 3.6V; T_A = T_{MIN} to T_{MAX} ; unless otherwise noted. Typical values are at T_A = +25C.)

| PARAMETER | SYMBOL | CONDITIONS | MIN | TYP | MAX | UNITS | |
|---------------------------------|-----------|--|---|-------|-------|---------|---------|
| PFI Input Threshold | V_{PFT} | $V_{CC} < 3.6V$ V_{PFI} falling | MAX802_C/E, MAX804_C/E, MAX806_C/E | 1.212 | 1.237 | 1.262 | V |
| | | MAX690_/MAX704_/MAX805_ | 1.187 | 1.237 | 1.287 | | |
| PFI Input Current | | MAX690_C/E, MAX704_C/E, MAX80__C/E | -25 | 2 | 25 | nA | |
| | | MAX690_M, MAX704_M, MAX80__M | -500 | 2 | 500 | | |
| PFI Hysteresis, PFI Rising | V_{PFH} | $V_{CC} < 3.6V$ | MAX690_C/E, MAX704_C/E, MAX80__C/E | 10 | 20 | mV | |
| | | | MAX690_M, MAX704_M, MAX80__M | 10 | 25 | | |
| PFI Input Current | | MAX690_C/E, MAX704_C/E, MAX80__C/E | -25 | 2 | 25 | nA | |
| | | MAX690_M, MAX704_M, MAX80__M | -500 | 2 | 500 | | |
| \overline{MR} Input Threshold | V_{IH} | MAX704_/MAX806_ only | 0.7 x V_{CC} | | | V | |
| | V_{IL} | | 0.3 x V_{CC} | | | | |
| \overline{MR} Pulse Width | t_{MR} | MAX704_/MAX806_ only | 100 | 20 | | ns | |
| \overline{MR} to Reset Delay | t_{MD} | MAX704_/MAX806_ only | | 60 | 500 | ns | |
| \overline{MR} Pull-Up Current | | MAX704_/MAX806_ only, $\overline{MR} = 0V$, $V_{CC} = 3V$ | 20 | 60 | 350 | μA | |
| WDI Input Threshold | V_{IH} | MAX690_/MAX802_/MAX804_/MAX805_ only | 0.7 x V_{CC} | | | V | |
| | V_{IL} | | 0.3 x V_{CC} | | | | |
| WDI Input Current | | $0V < V_{CC} < 5.5V$ | MAX690_C/E, MAX802_C/E, MAX804_C/E, MAX805_C/E | -1 | +0.01 | +1 | μA |
| | | | MAX690_M, MAX802_M, MAX804_M, MAX805_M | -10 | +0.01 | +10 | |
| Watchdog Timeout Period | t_{WD} | $V_{CC} < 3.6V$ | MAX690/MAX802/MAX804/ MAX805 only | 1.12 | 1.60 | 2.24 | s |
| WDI Pulse Width | | MAX690_/MAX802_/MAX804_/MAX805_ only | 100 | 20 | | ns | |

- Note 1:** V_{CC} supply current, logic input leakage, watchdog functionality (MAX690_/802_/805_/804_), \overline{MR} functionality (MAX704_/806_), PFI functionality, state of \overline{RESET} (MAX690_/704_/802_/806_), and \overline{RESET} (MAX804_/805_) tested at $V_{BATT} = 3.6V$, and $V_{CC} = 5.5V$. The state of \overline{RESET} or \overline{RESET} and \overline{PFO} is tested at $V_{CC} = V_{CC}$ min.
- Note 2:** Tested at $V_{BATT} = 3.6V$, $V_{CC} = 3.5V$ and $0V$. The battery current will rise to $10\mu A$ over a narrow transition window around $V_{CC} = 1.9V$.
- Note 3:** Leakage current into the battery is tested under the worst-case conditions at $V_{CC} = 5.5V$, $V_{BATT} = 1.8V$ and at $V_{CC} = 1.5V$, $V_{BATT} = 1.0V$.
- Note 4:** Guaranteed by design.
- Note 5:** When $V_{SW} > V_{CC} > V_{BATT}$, V_{OUT} remains connected to V_{CC} until V_{CC} drops below V_{BATT} . The V_{CC} -to- V_{BATT} comparator has a small 25mV typical hysteresis to prevent oscillation. For $V_{CC} < 1.75V$ (typ), V_{OUT} switches to V_{BATT} regardless of the voltage on V_{BATT} .
- Note 6:** When $V_{BATT} > V_{CC} > V_{SW}$, V_{OUT} remains connected to V_{CC} until V_{CC} drops below the battery switch threshold (V_{SW}).
- Note 7:** V_{OUT} switches from V_{BATT} to V_{CC} when V_{CC} rises above the reset threshold, independent of V_{BATT} . Switchover back to V_{CC} occurs at the exact voltage that causes \overline{RESET} to go high (on the MAX804_/805_, \overline{RESET} goes low); however switchover occurs 200ms prior to reset.
- Note 8:** The reset threshold tolerance is wider for V_{CC} rising than for V_{CC} falling to accommodate the 10mV typical hysteresis, which prevents internal oscillation.
- Note 9:** The leakage current into or out of the \overline{RESET} pin is tested with \overline{RESET} asserted (\overline{RESET} output high impedance).

Typical Operating Characteristics

(TA = +25°C, unless otherwise noted.)



Pin Description

| PIN | | | NAME | FUNCTION |
|------------------|------------------|------------------|------------------|--|
| MAX690 MAX802 | MAX704 MAX806 | MAX804 MAX805 | | |
| 1 | 1 | 1 | V _{OUT} | Supply Output for CMOS RAM. When V _{CC} is above the reset threshold, V _{OUT} is connected to V _{CC} through a p-channel MOSFET switch. When V _{CC} falls below V _{SW} and VBATT, VBATT connects to V _{OUT} . Connect to V _{CC} if no battery is used. |
| 2 | 2 | 2 | V _{CC} | Main Supply Input |
| 3 | 3 | 3 | GND | Ground |
| 4 | 4 | 4 | PFI | Power-Fail Input. When PFI is less than V _{PFT} or when V _{CC} falls below V _{SW} , PFO goes low; otherwise, PFO remains high. Connect to ground if unused. |
| 5 | 5 | 5 | PFO | Power-Fail Output. When PFI is less than V _{PFT} , or V _{CC} falls below V _{SW} , PFO goes low; otherwise, PFO remains high. Leave open if unused. |
| 6 | — | 6 | WDI | Watchdog Input. If WDI remains high or low for 1.6s, the internal watchdog timer runs out and reset is triggered. The internal watchdog timer clears while reset is asserted or when WDI sees a rising or falling edge. The watchdog function cannot be disabled. |
| — | 6 | — | MR | Manual Reset Input. A logic low on MR asserts reset. Reset remains asserted as long as MR is low and for 200ms after MR returns high. This active-low input has an internal 70µA pullup current. It can be driven from a TTL or CMOS logic line, or shorted to ground with a switch. Leave open if unused. |
| 7 | 7 | — | RESET | Active-Low Reset Output. Pulses low for 200ms when triggered, and stays low whenever V _{CC} is below the reset threshold or when MR is a logic low. It remains low for 200ms after either V _{CC} rises above the reset threshold, the watchdog triggers a reset, or MR goes from low to high. |
| — | — | 7 | RESET | Active-High, Open-Drain Reset Output is the inverse of RESET. |
| 8 | 8 | 8 | VBATT | Backup-Battery Input. When V _{CC} falls below V _{SW} and VBATT, V _{OUT} switches from V _{CC} to VBATT. When V _{CC} rises above the reset threshold, V _{OUT} reconnects to V _{CC} . VBATT may exceed V _{CC} . Connect to V _{CC} if no battery is used. |

Detailed Description

Reset Output

A microprocessor's (µP's) reset input starts the µP in a known state. These µP supervisory circuits assert reset to prevent code execution errors during power-up, power-down, brownout conditions, or a watchdog timeout.

RESET is guaranteed to be a logic low for $0V < V_{CC} < V_{RST}$, provided that VBATT is greater than 1V. Without a backup battery, RESET is guaranteed valid for $V_{CC} > 1V$. Once V_{CC} exceeds the reset threshold, an internal timer keeps RESET low for the reset timeout period; after this interval, RESET goes high (Figure 2).

If a brownout condition occurs (V_{CC} dips below the reset threshold), RESET goes low. Each time RESET is asserted, it stays low for the reset timeout period. Any time V_{CC} goes below the reset threshold, the internal timer restarts.

The watchdog timer can also initiate a reset. See the *Watchdog Input* section.

The MAX804_/MAX805_ active-high RESET output is open drain, and the inverse of the MAX690_/MAX704_/MAX802_/MAX806_ RESET output.

Reset Threshold

The MAX690T/MAX704T/MAX805T are intended for 3.3V systems with a ±5% power-supply tolerance and a 10% system tolerance. Except for watchdog faults, reset will not assert as long as the power supply remains above 3.15V (3.3V - 5%). Reset is guaranteed to assert before the power supply falls below 3.0V.

The MAX690S/MAX704S/MAX805S are designed for 3.3V ±10% power supplies. Except for watchdog faults, they are guaranteed not to assert reset as long as the supply remains above 3.0V (3.3V - 10%). Reset is guaranteed to assert before the power supply falls below 2.85V (V_{CC} - 14%).

The MAX690R/MAX704R/MAX805R are optimized for monitoring 3.0V ±10% power supplies. Reset will not occur until V_{CC} falls below 2.7V (3.0V - 10%), but is guaranteed to occur before the supply falls below 2.59V (3.0V - 14%).

The MAX802R/S/T, MAX804R/S/T, and MAX806R/S/T are respectively similar to the MAX690R/S/T, MAX805R/S/T, and MAX704R/S/T, but with tightened reset and power-fail threshold tolerances.

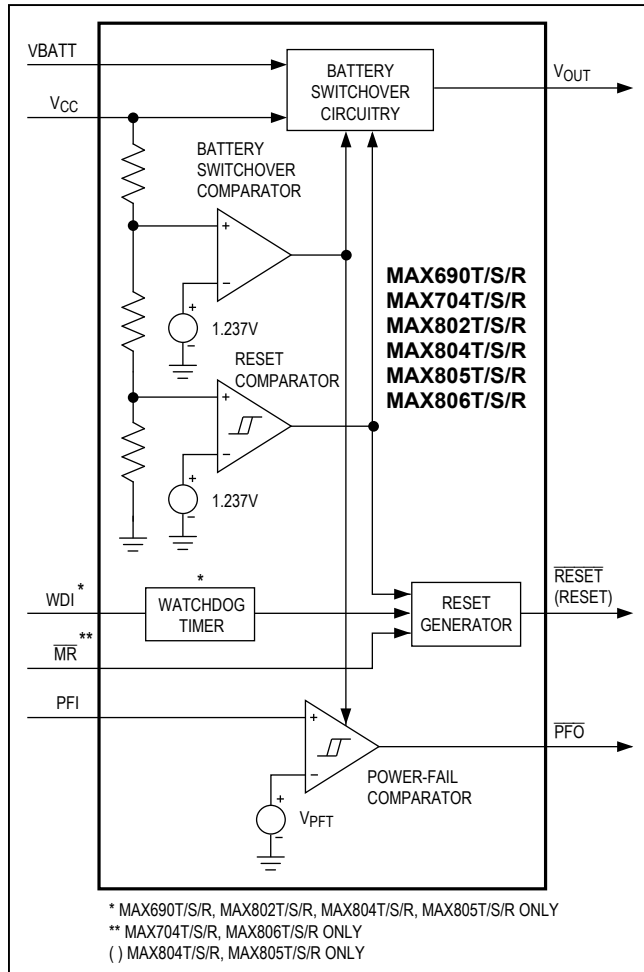


Figure 1. Block Diagram

Watchdog Input (MAX690_/802_/804_/805_)

The watchdog circuit monitors the μP 's activity. If the μP does not toggle the watchdog input (WDI) within 1.6sec, a reset pulse is triggered. The internal 1.6sec timer is cleared by either a reset pulse or by a transition (low-to-high or high-to-low) at WDI. If WDI is tied high or low, a $\overline{\text{RESET}}$ pulse is triggered every 1.8sec (t_{WD} plus t_{RS}).

As long as reset is asserted, the timer remains cleared and does not count. As soon as reset is deasserted, the timer starts counting. Unlike the 5V MAX690 family, the watchdog function **cannot** be disabled.

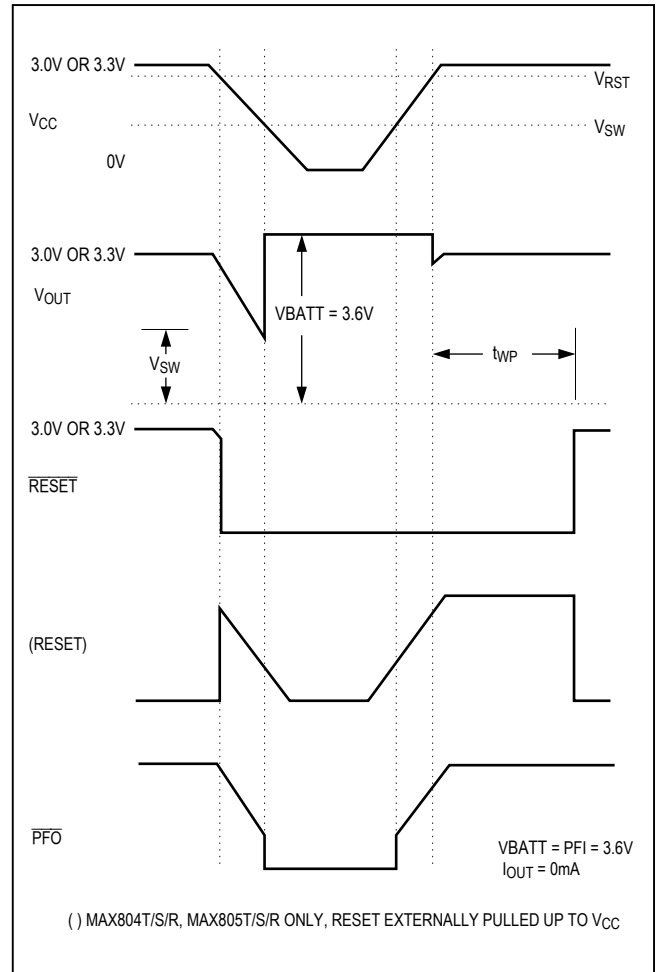


Figure 2. Timing Diagram

Power-Fail Comparator

The PFI input is compared to an internal reference. If PFI is less than V_{PFT} , $\overline{\text{PFO}}$ goes low. The power-fail comparator is intended for use as an undervoltage detector to signal a failing power supply. However, the comparator does not need to be dedicated to this function because it is completely separate from the rest of the circuitry.

The power-fail comparator turns off and $\overline{\text{PFO}}$ goes low when V_{CC} falls below V_{SW} on power-down. The power-fail comparator turns on as V_{CC} crosses V_{SW} on power-up. If the comparator is not used, connect PFI to ground and leave $\overline{\text{PFO}}$ unconnected. $\overline{\text{PFO}}$ can be connected to $\overline{\text{MR}}$ on the MAX704_/MAX806_ so that a low voltage on PFI will generate a reset (Figure 5b).

Backup-Battery Switchover

In the event of a brownout or power failure, it may be necessary to preserve the contents of RAM. With a backup battery installed at VBATT, the devices automatically switch RAM to backup power when V_{CC} falls.

This family of μP supervisors (designed for 3.3V and 3V systems) doesn't always connect VBATT to V_{OUT} when VBATT is greater than V_{CC}. VBATT connects to V_{OUT} (through a 140Ω switch) when V_{CC} is below V_{SW} and VBATT is greater than V_{CC}, or when V_{CC} falls below 1.75V (typ) regardless of the VBATT voltage. This is done to allow the backup battery (e.g., a 3.6V lithium cell) to have a higher voltage than V_{CC}.

Switchover at V_{SW} (2.40V) ensures that battery-backup mode is entered before V_{OUT} gets too close to the 2.0V minimum required to reliably retain data in CMOS RAM. Switchover at higher V_{CC} voltages would decrease backup-battery life. When V_{CC} recovers, switchover is deferred until V_{CC} rises above the reset threshold (V_{RST}) to ensure a stable supply. V_{OUT} is connected to V_{CC} through a 3Ω PMOS power switch.

Manual Reset

A logic low on \overline{MR} asserts reset. Reset remains asserted while \overline{MR} is low, and for t_{WUP} (200ms) after \overline{MR} returns high. This input has an internal 70μA pullup current, so it can be left open if it is not used. \overline{MR} can be driven with TTL or CMOS logic levels, or with open-drain/collector outputs. Connect a normally open momentary switch from \overline{MR} to GND to create a manual-reset function; external debounce circuitry is not required.

Table 1. Input and Output Status in Battery-Backup Mode

| PIN NAME | STATUS |
|--------------------|--|
| V _{OUT} | Connected to VBATT through an internal 140Ω switch |
| V _{CC} | Disconnected from V _{OUT} |
| PFI | The power-fail comparator is disabled when V _{CC} < V _{SW} |
| \overline{PFO} | Logic low when V _{CC} < V _{SW} or PFI < V _{PFPT} |
| WDI | The watchdog timer is disabled |
| \overline{MR} | Disabled |
| \overline{RESET} | Low logic |
| RESET | High impedance |
| VBATT | Connected to V _{OUT} |

Applications Information

These μP supervisory circuits are not short-circuit protected. Shorting V_{OUT} to ground—excluding power-up transients such as charging a decoupling capacitor—destroys the device. Decouple both V_{CC} and VBATT pins to ground by placing 0.1μF capacitors as close as possible to the device.

Using a SuperCap as a Backup Power Source

SuperCaps are capacitors with extremely high capacitance values (e.g., order of 0.47F) for their size. Figure 3 shows two ways to use a SuperCap as a backup power source. The SuperCap may be connected through a diode to the 3V input (Figure 3a) or, if a 5V supply is also available, the SuperCap may be charged up to the 5V supply (Figure 3b) allowing a longer backup period. Since VBATT can exceed V_{CC} while V_{CC} is above the reset threshold, there are no special precautions when using these μP supervisors with a SuperCap.

Operation without a Backup Power Source

These μP supervisors were designed for battery-backed applications. If a backup battery is not used, connect both VBATT and V_{OUT} to V_{CC}, or use a different μP supervisor such as the MAX706T/S/R or MAX708T/S/R.

Replacing the Backup Battery

The backup power source can be removed while V_{CC} remains valid, if VBATT is decoupled with a 0.1μF capacitor to ground, without danger of triggering \overline{RESET} /RESET. As long as V_{CC} stays above V_{SW}, battery-backup mode cannot be entered.

Adding Hysteresis to the Power-Fail Comparator

The power-fail comparator has a typical input hysteresis of 10mV. This is sufficient for most applications where a power-supply line is being monitored through an external voltage divider (see the *Monitoring an Additional Power Supply* section).

If additional noise margin is desired, connect a resistor between \overline{PFO} and PFI as shown in Figure 4a. Select the ratio of R1 and R2 such that PFI sees 1.237V (V_{PFPT}) when V_{IN} falls to its trip point (V_{TRIP}). R3 adds the hysteresis and will typically be more than 10 times the value of R1 or R2. The hysteresis window extends both above (V_H) and below (V_L) the original trip point (V_{TRIP}).

Connecting an ordinary signal diode in series with R3, as shown in Figure 4b, causes the lower trip point (V_L) to

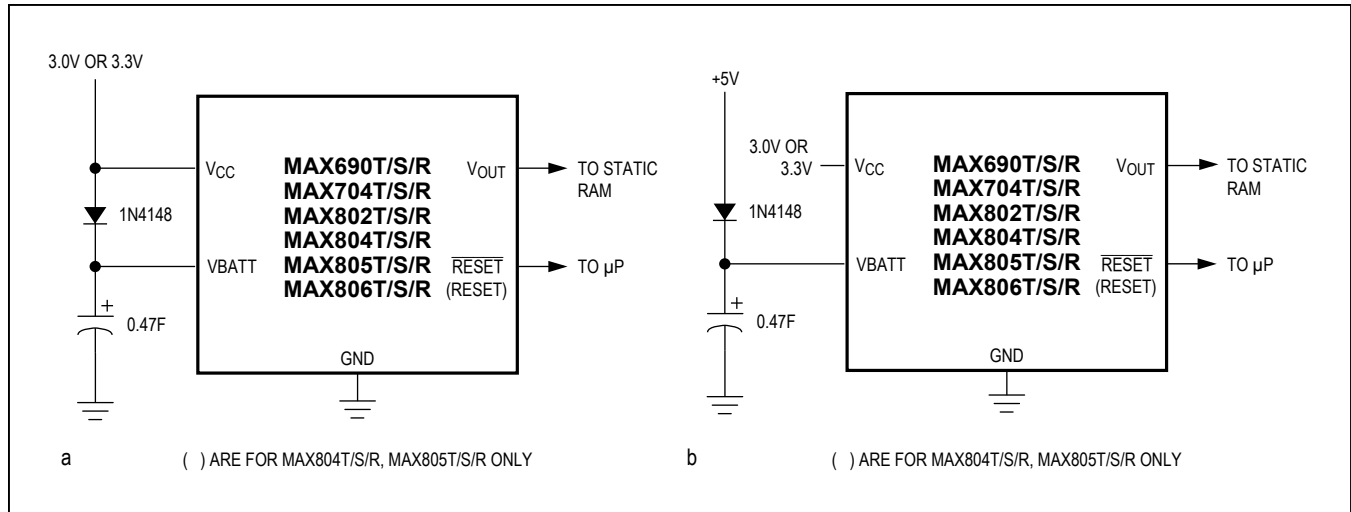


Figure 3. Using a SuperCap as a Backup Power Source

coincide with the trip point without hysteresis (V_{TRIP}), so the entire hysteresis window occurs above V_{TRIP} . This method provides additional noise margin without compromising the accuracy of the power-fail threshold when the monitored voltage is falling. It is useful for accurately detecting when a voltage falls past a threshold.

The current through R1 and R2 should be at least $1\mu A$ to ensure that the $25nA$ (max over extended temperature range) PFI input current does not shift the trip point. R3 should be larger than $10k\Omega$ so it does not load down the \overline{PFO} pin. Capacitor C1 adds additional noise rejection.

Monitoring an Additional Power Supply

These μP supervisors can monitor either positive or negative supplies using a resistor voltage divider to PFI. \overline{PFO} can be used to generate an interrupt to the μP (Figure 5). Connecting \overline{PFO} to \overline{MR} on the MAX704 and MAX806 causes reset to assert when the monitored supply goes out of tolerance. Reset remains asserted as long as \overline{PFO} holds \overline{MR} low, and for 200ms after \overline{PFO} goes high.

Interfacing to μP s with Bidirectional Reset Pins

μP s with bidirectional reset pins, such as the Motorola 68HC11 series, can contend with the MAX690_/MAX704_/MAX802_/MAX806_ \overline{RESET} output. If, for example, the \overline{RESET} output is driven high and the μP wants to pull it low, indeterminate logic levels may result. To correct this, connect a $4.7k\Omega$ resistor between the \overline{RESET} output and the μP reset I/O, as in Figure 6. Buffer the \overline{RESET} output to other system components.

Negative-Going V_{CC} Transients

While issuing resets to the μP during power-up, power-down, and brownout conditions, these supervisors are relatively immune to short-duration negative-going V_{CC} transients (glitches). It is usually undesirable to reset the μP when V_{CC} experiences only small glitches.

Figure 7 shows maximum transient duration vs. reset-comparator overdrive, for which reset pulses are **not** generated. The graph was produced using negative-going V_{CC} pulses, starting at 3.3V and ending below the reset threshold by the magnitude indicated (reset comparator overdrive). The graph shows the maximum pulse width a negative-going V_{CC} transient may typically have without causing a reset pulse to be issued. As the amplitude of the transient increases (i.e., goes farther below the reset threshold), the maximum allowable pulse width decreases. Typically, a V_{CC} transient that goes 100mV below the reset threshold and lasts for 40 μs or less will not cause a reset pulse to be issued.

A 100nF bypass capacitor mounted close to the V_{CC} pin provides additional transient immunity.

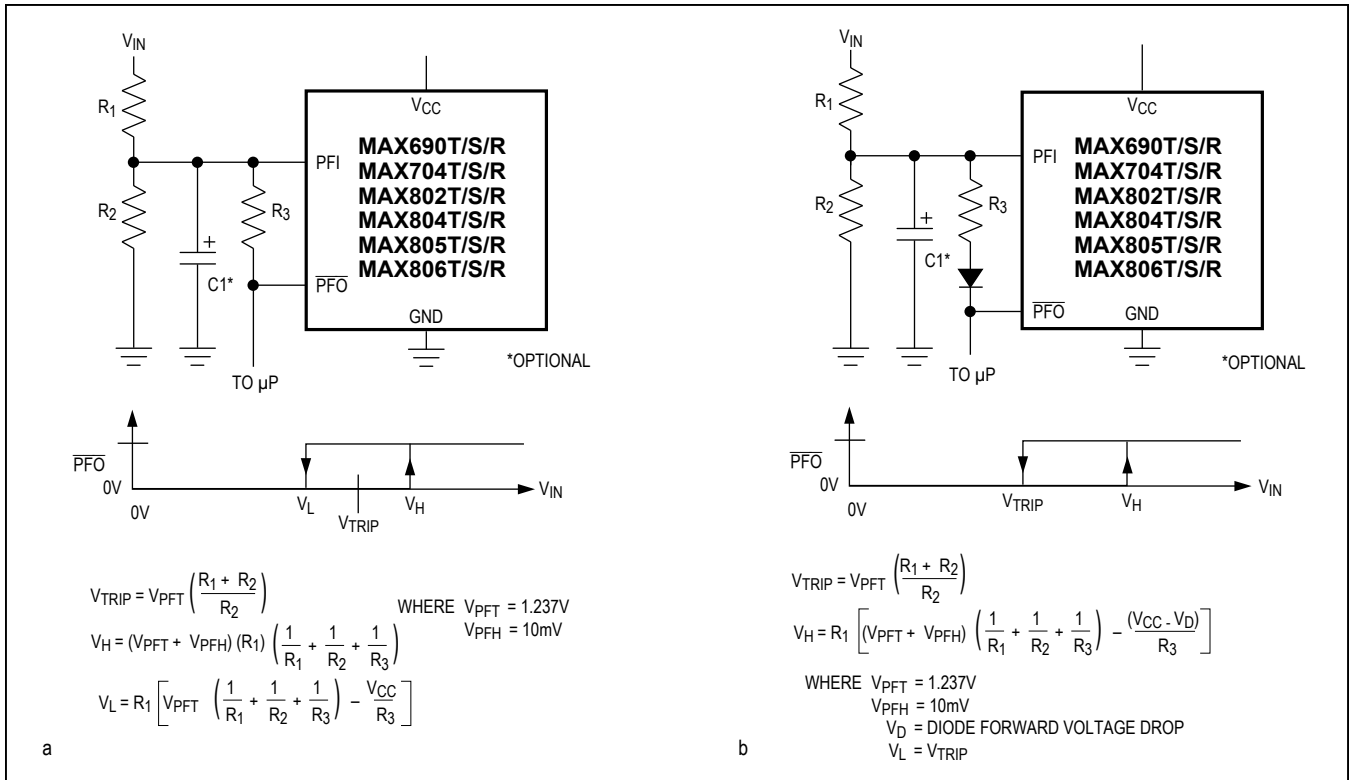


Figure 4. a) Adding Additional Hysteresis to the Power-Fail Comparator b) Shifting the Additional Hysteresis above V_{PFT}

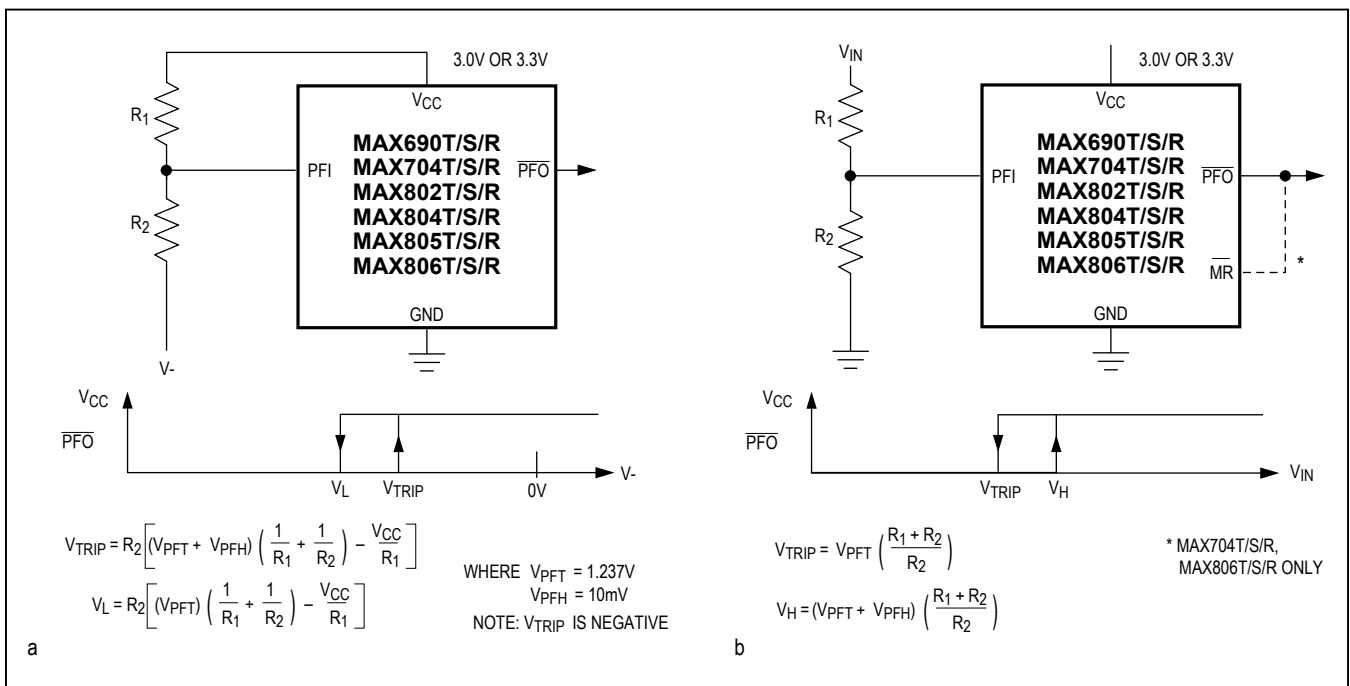


Figure 5. Using the Power-Fail Comparator to Monitor an Additional Power Supply

MAX690T/S/R, MAX704T/S/R,
MAX802T/S/R, MAX804-MAX806T/S/R

3.0V/3.3V Microprocessor
Supervisory Circuits

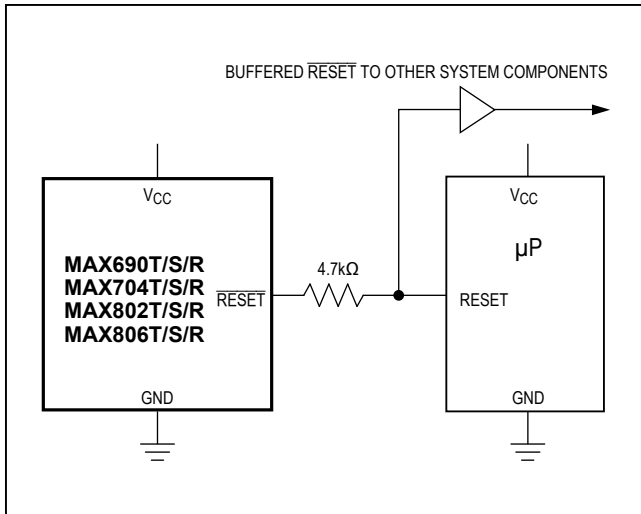
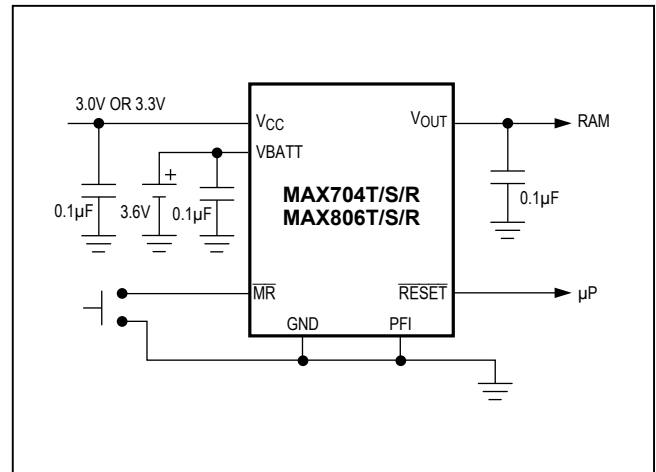


Figure 6. Interfacing to μ Ps with Bidirectional Reset I/O

Typical Operating Circuits (continued)



Chip Topography

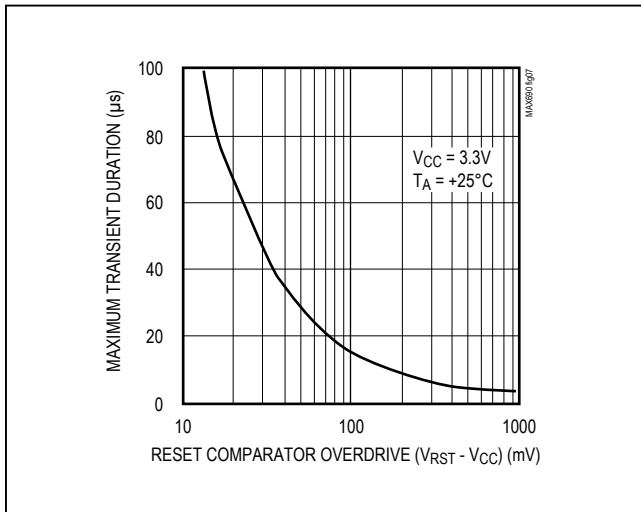
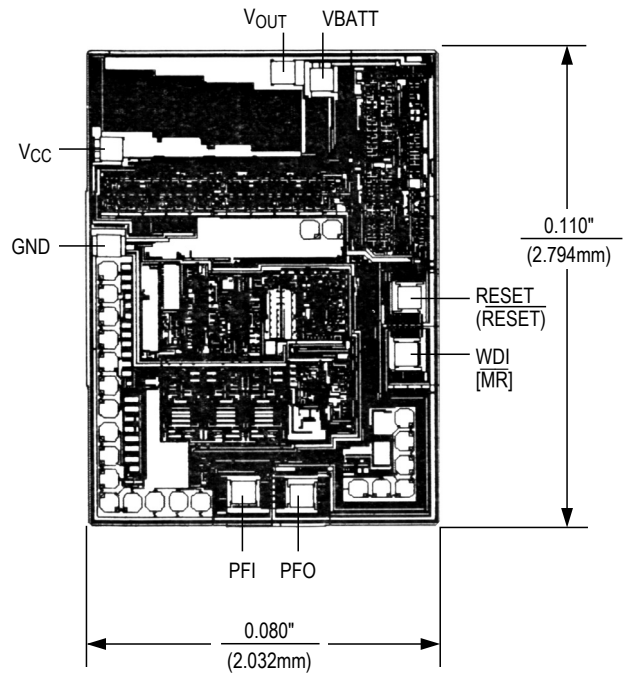


Figure 7. Maximum Transient Duration without Causing a Reset Pulse vs. Reset Comparator Overdrive



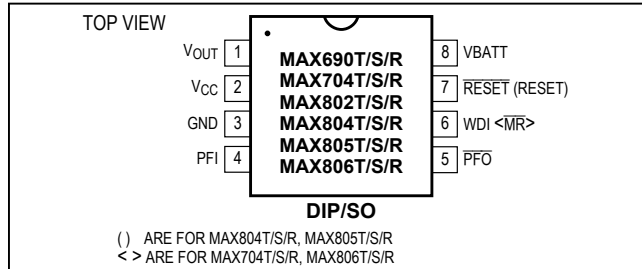
Chip Information

TRANSISTOR COUNT: 802;

SUBSTRATE IS CONNECTED TO THE HIGHER OF V_{CC} OR V_{BATT} , AND MUST BE FLOATED IN ANY HYBRID DESIGN.

() ARE FOR MAX804T/S/R, MAX805T/S/R.
[] ARE FOR MAX704T/S/R, MAX806T/S/R.

Pin Configuration



Package Information

For the latest package outline information and land patterns, go to www.maximintegrated.com/packages. Note that a “+”, “#”, or “-” in the package code indicates RoHS status only. Package drawings may show a different suffix character, but the drawing pertains to the package regardless of RoHS status.

| PACKAGE TYPE | PACKAGE e CODE | OUTLINE NO. | LAND PATTERN NO. |
|--------------|----------------|-------------------------|-------------------------|
| 8 PDIP | P8+2 | 21-0043 | — |
| 8 CDIP | J8+2 | 21-0045 | — |
| 8 SOIC | S8+4 | 21-0041 | 90-0096 |

Ordering Information (continued)

| PART** | TEMP RANGE | PIN-PACKAGE |
|------------|-----------------|---------------|
| MAX704_CPA | 0°C to +70°C | 8 Plastic DIP |
| MAX704_CSA | 0°C to +70°C | 8 SO |
| MAX704_C/D | 0°C to +70°C | Dice* |
| MAX704_EPA | -40°C to +85°C | 8 Plastic DIP |
| MAX704_ESA | -40°C to +85°C | 8 SO |
| MAX704_MJA | -55°C to +125°C | 8 CERDIP |
| MAX802_CPA | 0°C to +70°C | 8 Plastic DIP |
| MAX802_CSA | 0°C to +70°C | 8 SO |
| MAX802_C/D | 0°C to +70°C | Dice* |
| MAX802_EPA | -40°C to +85°C | 8 Plastic DIP |
| MAX802_ESA | -40°C to +85°C | 8 SO |
| MAX802_MJA | -55°C to +125°C | 8 CERDIP |
| MAX804_CPA | 0°C to +70°C | 8 Plastic DIP |
| MAX804_CSA | 0°C to +70°C | 8 SO |
| MAX804_C/D | 0°C to +70°C | Dice* |
| MAX804_EPA | -40°C to +85°C | 8 Plastic DIP |
| MAX804_ESA | -40°C to +85°C | 8 SO |
| MAX804_MJA | -55°C to +125°C | 8 CERDIP |
| MAX805_CPA | 0°C to +70°C | 8 Plastic DIP |
| MAX805_CSA | 0°C to +70°C | 8 SO |
| MAX805_C/D | 0°C to +70°C | Dice* |
| MAX805_EPA | -40°C to +85°C | 8 Plastic DIP |
| MAX805_ESA | -40°C to +85°C | 8 SO |
| MAX805_MJA | -55°C to +125°C | 8 CERDIP |
| MAX806_CPA | 0°C to +70°C | 8 Plastic DIP |
| MAX806_CSA | 0°C to +70°C | 8 SO |
| MAX806_C/D | 0°C to +70°C | Dice* |
| MAX806_EPA | -40°C to +85°C | 8 Plastic DIP |
| MAX806_ESA | -40°C to +85°C | 8 SO |
| MAX806_MJA | -55°C to +125°C | 8 CERDIP |

*Contact factory for dice specifications.

**These parts offer a choice of reset threshold voltage. Select the letter corresponding to the desired nominal reset threshold voltage (T = 3.075V, S = 2.925V, R = 2.625V) and insert it into the blank to complete the part number.

Devices in PDIP and SO packages are available in both leaded and lead(Pb)-free packaging. Specify lead free by adding the + symbol at the end of the part number when ordering. Lead free not available for CERDIP package.

MAX690T/S/R, MAX704T/S/R,
MAX802T/S/R, MAX804–MAX806T/S/R

3.0V/3.3V Microprocessor
Supervisory Circuits

Revision History

| REVISION NUMBER | REVISION DATE | DESCRIPTION | PAGES CHANGED |
|-----------------|---------------|--|---------------|
| 3 | 4/15 | No IV OPNs in <i>Ordering Information</i> ; deleted Automotive Systems in <i>Applications Information</i> section; added <i>Package Information</i> and <i>Revision History</i> tables | 1, 12, 13 |

For pricing, delivery, and ordering information, please contact Maxim Direct at 1-888-629-4642, or visit Maxim Integrated's website at www.maximintegrated.com.

Maxim Integrated cannot assume responsibility for use of any circuitry other than circuitry entirely embodied in a Maxim Integrated product. No circuit patent licenses are implied. Maxim Integrated reserves the right to change the circuitry and specifications without notice at any time. The parametric values (min and max limits) shown in the Electrical Characteristics table are guaranteed. Other parametric values quoted in this data sheet are provided for guidance.

Компания «Океан Электроники» предлагает заключение долгосрочных отношений при поставках импортных электронных компонентов на взаимовыгодных условиях!

Наши преимущества:

- Поставка оригинальных импортных электронных компонентов напрямую с производств Америки, Европы и Азии, а так же с крупнейших складов мира;
- Широкая линейка поставок активных и пассивных импортных электронных компонентов (более 30 млн. наименований);
- Поставка сложных, дефицитных, либо снятых с производства позиций;
- Оперативные сроки поставки под заказ (от 5 рабочих дней);
- Экспресс доставка в любую точку России;
- Помощь Конструкторского Отдела и консультации квалифицированных инженеров;
- Техническая поддержка проекта, помощь в подборе аналогов, поставка прототипов;
- Поставка электронных компонентов под контролем ВП;
- Система менеджмента качества сертифицирована по Международному стандарту ISO 9001;
- При необходимости вся продукция военного и аэрокосмического назначения проходит испытания и сертификацию в лаборатории (по согласованию с заказчиком);
- Поставка специализированных компонентов военного и аэрокосмического уровня качества (Xilinx, Altera, Analog Devices, Intersil, Interpoint, Microsemi, Actel, Aeroflex, Peregrine, VPT, Syfer, Eurofarad, Texas Instruments, MS Kennedy, Miteq, Cobham, E2V, MA-COM, Hittite, Mini-Circuits, General Dynamics и др.);

Компания «Океан Электроники» является официальным дистрибьютором и эксклюзивным представителем в России одного из крупнейших производителей разъемов военного и аэрокосмического назначения «JONHON», а так же официальным дистрибьютором и эксклюзивным представителем в России производителя высокотехнологичных и надежных решений для передачи СВЧ сигналов «FORSTAR».



JONHON

«JONHON» (основан в 1970 г.)

Разъемы специального, военного и аэрокосмического назначения:

(Применяются в военной, авиационной, аэрокосмической, морской, железнодорожной, горно- и нефтедобывающей отраслях промышленности)

«FORSTAR» (основан в 1998 г.)

ВЧ соединители, коаксиальные кабели, кабельные сборки и микроволновые компоненты:

(Применяются в телекоммуникациях гражданского и специального назначения, в средствах связи, РЛС, а так же военной, авиационной и аэрокосмической отраслях промышленности).



Телефон: 8 (812) 309-75-97 (многоканальный)

Факс: 8 (812) 320-03-32

Электронная почта: ocean@oceanchips.ru

Web: <http://oceanchips.ru/>

Адрес: 198099, г. Санкт-Петербург, ул. Калинина, д. 2, корп. 4, лит. А