

# MC14043B, MC14044B

## CMOS MSI

### Quad R–S Latches

The MC14043B and MC14044B quad R–S latches are constructed with MOS P–Channel and N–Channel enhancement mode devices in a single monolithic structure. Each latch has an independent Q output and set and reset inputs. The Q outputs are gated through three–state buffers having a common enable input. The outputs are enabled with a logical “1” or high on the enable input; a logical “0” or low disconnects the latch from the Q outputs, resulting in an open circuit at the Q outputs.

#### Features

- Double Diode Input Protection
- Three–State Outputs with Common Enable
- Outputs Capable of Driving Two Low–power TTL Loads or One Low–Power Schottky TTL Load Over the Rated Temperature Range
- Supply Voltage Range = 3.0 Vdc to 18 Vdc
- These Devices are Pb–Free and are RoHS Compliant

#### MAXIMUM RATINGS (Voltages Referenced to $V_{SS}$ )

| Symbol            | Parameter   | Value                  | Unit |
|-------------------|---|------------------------|------|
| $V_{DD}$          | DC Supply Voltage Range                           | –0.5 to +18.0          | V    |
| $V_{in}, V_{out}$ | Input or Output Voltage Range (DC or Transient)   | –0.5 to $V_{DD} + 0.5$ | V    |
| $I_{in}, I_{out}$ | Input or Output Current (DC or Transient) per Pin | $\pm 10$               | mA   |
| $P_D$             | Power Dissipation, per Package (Note 1)           | 500                    | mW   |
| $T_A$             | Ambient Temperature Range                         | –55 to +125            | °C   |
| $T_{stg}$         | Storage Temperature Range                         | –65 to +150            | °C   |
| $T_L$             | Lead Temperature (8–Second Soldering)             | 260                    | °C   |

Maximum ratings are those values beyond which device damage can occur. Maximum ratings applied to the device are individual stress limit values (not normal operating conditions) and are not valid simultaneously. If these limits are exceeded, device functional operation is not implied, damage may occur and reliability may be affected.

#### 1. Temperature Derating:

Plastic “P and D/DW” Packages: – 7.0 mW/°C From 65°C To 125°C

This device contains protection circuitry to guard against damage due to high static voltages or electric fields. However, precautions must be taken to avoid applications of any voltage higher than maximum rated voltages to this high–impedance circuit. For proper operation,  $V_{in}$  and  $V_{out}$  should be constrained to the range  $V_{SS} \leq (V_{in} \text{ or } V_{out}) \leq V_{DD}$ .

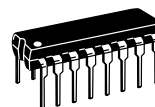
Unused inputs must always be tied to an appropriate logic voltage level (e.g., either  $V_{SS}$  or  $V_{DD}$ ). Unused outputs must be left open.



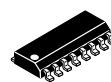
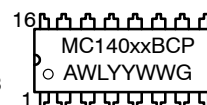
ON Semiconductor®

<http://onsemi.com>

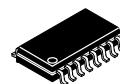
#### MARKING DIAGRAMS



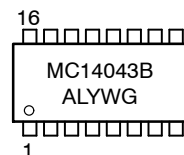
PDIP–16  
P SUFFIX  
CASE 648



SOIC–16  
D SUFFIX  
CASE 751B



SOEIAJ–16  
F SUFFIX  
CASE 966



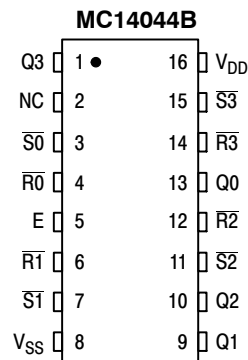
xx = Specific Device Code  
A = Assembly Location  
WL, L = Wafer Lot  
YY, Y = Year  
WW, W = Work Week  
G = Pb–Free Indicator

#### ORDERING INFORMATION

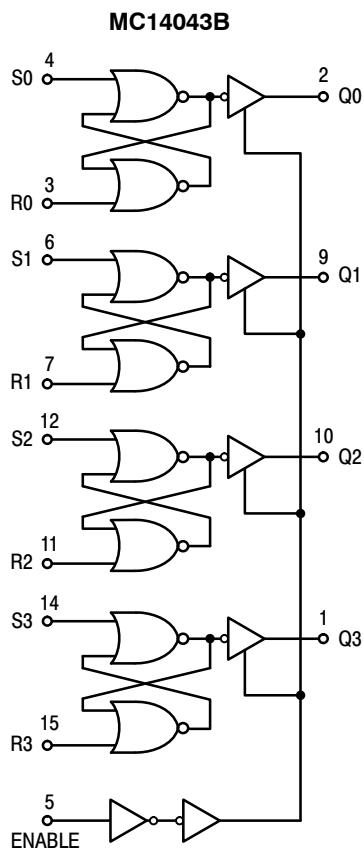
See detailed ordering and shipping information in the package dimensions section on page 5 of this data sheet.

# MC14043B, MC14044B

## PIN ASSIGNMENT



NC = NO CONNECTION

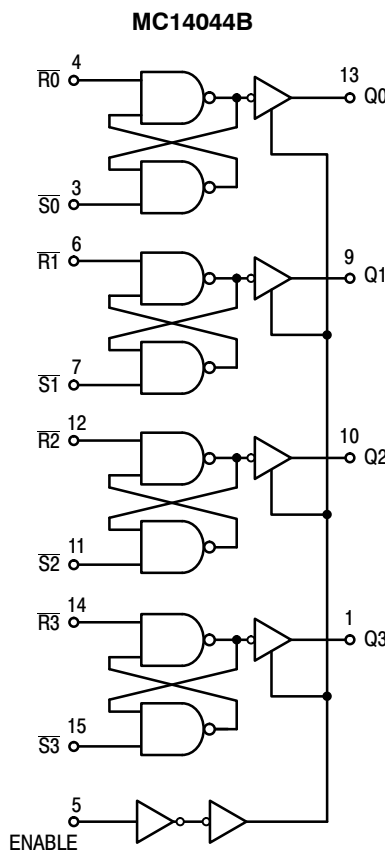


V<sub>DD</sub> = PIN 16  
V<sub>SS</sub> = PIN 8  
NC = PIN 13

**TRUTH TABLE**

| S | R | E | Q              |
|---|---|---|----------------|
| X | X | 0 | High Impedance |
| 0 | 0 | 1 | No Change      |
| 0 | 1 | 1 | 0              |
| 1 | 0 | 1 | 1              |
| 1 | 1 | 1 | 1              |

X = Don't Care



V<sub>DD</sub> = PIN 16  
V<sub>SS</sub> = PIN 8  
NC = PIN 2

**TRUTH TABLE**

| S | R | E | Q              |
|---|---|---|----------------|
| X | X | 0 | High Impedance |
| 0 | 0 | 1 | 0              |
| 0 | 1 | 1 | 1              |
| 1 | 0 | 1 | 0              |
| 1 | 1 | 1 | No Change      |

X = Don't Care

# MC14043B, MC14044B

## ELECTRICAL CHARACTERISTICS (Voltages Referenced to V<sub>SS</sub>)

| Characteristic   | Symbol                       | V <sub>DD</sub><br>Vdc | - 55°C   |       | 25°C  |                 |       | 125°C |       | Unit |
|--|------------------------------|------------------------|--|-------|-------|-----------------|-------|-------|-------|------|
|  |                              |                        | Min  | Max   | Min   | Typ<br>(Note 2) | Max   | Min   | Max   |      |
| Output Voltage<br>V <sub>in</sub> = V <sub>DD</sub> or 0   | "0" Level<br>V <sub>OL</sub> | 5.0                    | -  | 0.05  | -     | 0               | 0.05  | -     | 0.05  | Vdc  |
|  |                              | 10                     | -  | 0.05  | -     | 0               | 0.05  | -     | 0.05  |      |
| 15   |                              | -                      | 0.05   | -     | 0     | 0.05            | -     | 0.05  |       |      |
| V <sub>in</sub> = 0 or V <sub>DD</sub>   | "1" Level<br>V <sub>OH</sub> | 5.0                    | 4.95   | -     | 4.95  | 5.0             | -     | 4.95  | -     | Vdc  |
|  |                              | 10                     | 9.95   | -     | 9.95  | 10              | -     | 9.95  | -     |      |
|  |                              | 15                     | 14.95  | -     | 14.95 | 15              | -     | 14.95 | -     |      |
| Input Voltage<br>(V <sub>O</sub> = 4.5 or 0.5 Vdc)<br>(V <sub>O</sub> = 9.0 or 1.0 Vdc)<br>(V <sub>O</sub> = 13.5 or 1.5 Vdc)                      | "0" Level<br>V <sub>IL</sub> | 5.0                    | -  | 1.5   | -     | 2.25            | 1.5   | -     | 1.5   | Vdc  |
|  |                              | 10                     | -  | 3.0   | -     | 4.50            | 3.0   | -     | 3.0   |      |
| 15   |                              | -                      | 4.0  | -     | 6.75  | 4.0             | -     | 4.0   |       |      |
| (V <sub>O</sub> = 0.5 or 4.5 Vdc)<br>(V <sub>O</sub> = 1.0 or 9.0 Vdc)<br>(V <sub>O</sub> = 1.5 or 13.5 Vdc)                                       | "1" Level<br>V <sub>IH</sub> | 5.0                    | 3.5  | -     | 3.5   | 2.75            | -     | 3.5   | -     | Vdc  |
|  |                              | 10                     | 7.0  | -     | 7.0   | 5.50            | -     | 7.0   | -     |      |
|  |                              | 15                     | 11   | -     | 11    | 8.25            | -     | 11    | -     |      |
| Output Drive Current<br>(V <sub>OH</sub> = 2.5 Vdc)<br>(V <sub>OH</sub> = 4.6 Vdc)<br>(V <sub>OH</sub> = 9.5 Vdc)<br>(V <sub>OH</sub> = 13.5 Vdc)  | Source<br>I <sub>OH</sub>    | 5.0                    | -3.0   | -     | -2.4  | -4.2            | -     | -1.7  | -     | mAdc |
|  |                              | 5.0                    | -0.64  | -     | -0.51 | -0.88           | -     | -0.36 | -     |      |
| 10   |                              | -1.6                   | -  | -1.3  | -2.25 | -               | -0.9  | -     |       |      |
| 15   |                              | -4.2                   | -  | -3.4  | -8.8  | -               | -2.4  | -     |       |      |
| (V <sub>OL</sub> = 0.4 Vdc)<br>(V <sub>OL</sub> = 0.5 Vdc)<br>(V <sub>OL</sub> = 1.5 Vdc)  | Sink<br>I <sub>OL</sub>      | 5.0                    | 0.64   | -     | 0.51  | 0.88            | -     | 0.36  | -     | mAdc |
|  |                              | 10                     | 1.6  | -     | 1.3   | 2.25            | -     | 0.9   | -     |      |
|  |                              | 15                     | 4.2  | -     | 3.4   | 8.8             | -     | 2.4   | -     |      |
| Input Current  | I <sub>in</sub>              | 15                     | -  | ±0.1  | -     | ±0.00001        | ±0.1  | -     | ±1.0  | μAdc |
| Input Capacitance<br>(V <sub>in</sub> = 0)   | C <sub>in</sub>              | -                      | -  | -     | -     | 5.0             | 7.5   | -     | -     | pF   |
| Quiescent Current<br>(Per Package)   | I <sub>DD</sub>              | 5.0                    | -  | 1.0   | -     | 0.002           | 1.0   | -     | 30    | μAdc |
|  |                              | 10                     | -  | 2.0   | -     | 0.004           | 2.0   | -     | 60    |      |
|  |                              | 15                     | -  | 4.0   | -     | 0.006           | 4.0   | -     | 120   |      |
| Total Supply Current (Notes 3 & 4)<br>(Dynamic plus Quiescent,<br>Per Package)<br>(C <sub>L</sub> = 50 pF on all outputs all<br>buffers switching) | I <sub>T</sub>               | 5.0<br>10<br>15        | I <sub>T</sub> = (0.58 μA/kHz) f + I <sub>DD</sub><br>I <sub>T</sub> = (1.15 μA/kHz) f + I <sub>DD</sub><br>I <sub>T</sub> = (1.73 μA/kHz) f + I <sub>DD</sub> |       |       |                 |       |       |       | μAdc |
| Three-State Output Leakage<br>Current  | I <sub>TL</sub>              | 15                     | -  | ± 0.1 | -     | ± 0.0001        | ± 0.1 | -     | ± 3.0 | μAdc |

2. Data labelled "Typ" is not to be used for design purposes but is intended as an indication of the IC's potential performance.

3. The formulas given are for the typical characteristics only at 25°C.

4. To calculate total supply current at loads other than 50 pF:

$$I_T(C_L) = I_T(50 \text{ pF}) + (C_L - 50) \text{ Vfk}$$

where: I<sub>T</sub> is in μA (per package), C<sub>L</sub> in pF, V = (V<sub>DD</sub> - V<sub>SS</sub>) in volts, f in kHz is input frequency, and k = 0.004.

# MC14043B, MC14044B

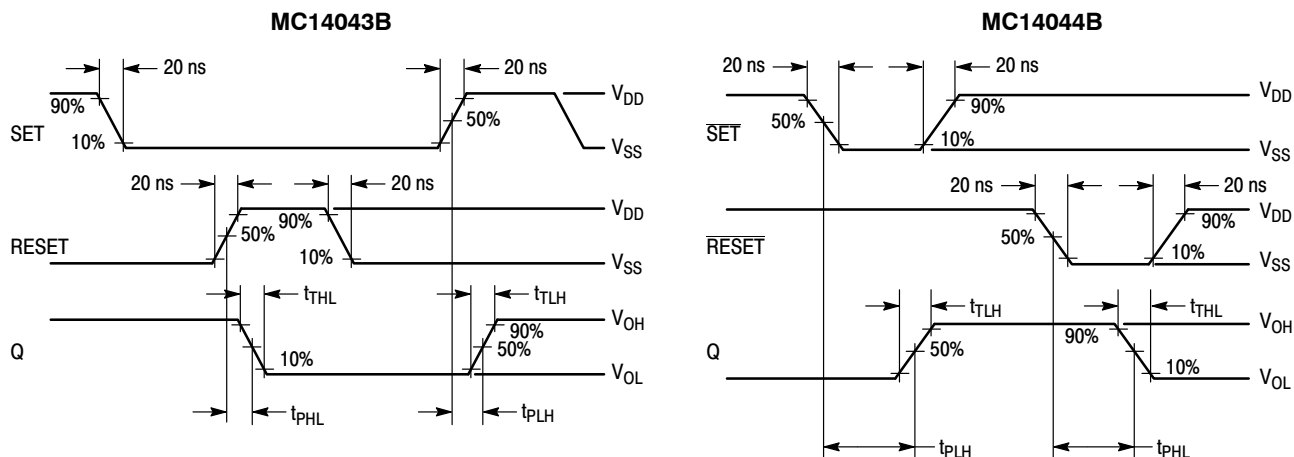
## SWITCHING CHARACTERISTICS (Note 5) ( $C_L = 50 \text{ pF}$ , $T_A = 25^\circ\text{C}$ )

| Characteristic   | Symbol   | $V_{DD}$<br>Vdc                        | Min                            | Typ<br>(Note 6)                        | Max  | Unit                 |
|--|--|--|--------------------------------|--|--|----------------------|
| Output Rise Time<br>$t_{TLH} = (1.35 \text{ ns/pF}) C_L + 32.5 \text{ ns}$<br>$t_{TLH} = (0.60 \text{ ns/pF}) C_L + 20 \text{ ns}$<br>$t_{TLH} = (0.40 \text{ ns/pF}) C_L + 20 \text{ ns}$   | $t_{TLH}$  | 5.0<br>10<br>15                        | –<br>–<br>–                    | 100<br>50<br>40                        | 200<br>100<br>80                           | ns                   |
| Output Fall Time<br>$t_{THL} = (1.35 \text{ ns/pF}) C_L + 32.5 \text{ ns}$<br>$t_{THL} = (0.60 \text{ ns/pF}) C_L + 20 \text{ ns}$<br>$t_{THL} = (0.40 \text{ ns/pF}) C_L + 20 \text{ ns}$   | $t_{THL}$  | 5.0<br>10<br>15                        | –<br>–<br>–                    | 100<br>50<br>40                        | 200<br>100<br>80                           | ns                   |
| Propagation Delay Time<br>$t_{PLH} = (0.90 \text{ ns/pF}) C_L + 130 \text{ ns}$<br>$t_{PLH} = (0.36 \text{ ns/pF}) C_L + 57 \text{ ns}$<br>$t_{PLH} = (0.26 \text{ ns/pF}) C_L + 47 \text{ ns}$<br>$t_{PHL} = (0.90 \text{ ns/pF}) C_L + 130 \text{ ns}$<br>$t_{PHL} = (0.90 \text{ ns/pF}) C_L + 57 \text{ ns}$<br>$t_{PHL} = (0.26 \text{ ns/pF}) C_L + 47 \text{ ns}$ | $t_{PLH}$<br><br><br><br>$t_{PHL}$                     | 5.0<br>10<br>15<br><br>5.0<br>10<br>15 | –<br>–<br>–<br><br>–<br>–<br>– | 175<br>75<br>60<br><br>175<br>75<br>60 | 350<br>175<br>120<br><br>350<br>175<br>120 | ns<br><br><br><br>ns |
| Set, $\overline{\text{Set}}$ Pulse Width   | $t_W$  | 5.0<br>10<br>15                        | 200<br>100<br>70               | 80<br>40<br>30                         | –<br>–<br>–                                | ns                   |
| Reset, $\overline{\text{Reset}}$ Pulse Width   | $t_W$  | 5.0<br>10<br>15                        | 200<br>100<br>70               | 80<br>40<br>30                         | –<br>–<br>–                                | ns                   |
| Three-State Enable/Disable Delay   | $t_{PLZ}$ ,<br>$t_{PHZ}$ ,<br>$t_{PZL}$ ,<br>$t_{PZH}$ | 5.0<br>10<br>15                        | –<br>–<br>–                    | 150<br>80<br>55                        | 300<br>160<br>110                          | ns                   |

5. The formulas given are for the typical characteristics only at  $25^\circ\text{C}$ .

6. Data labelled "Typ" is not to be used for design purposes but is intended as an indication of the IC's potential performance.

## AC WAVEFORMS

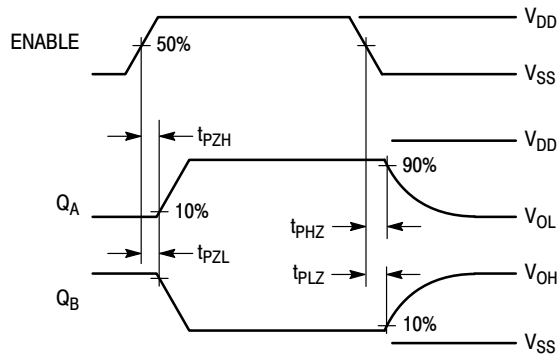
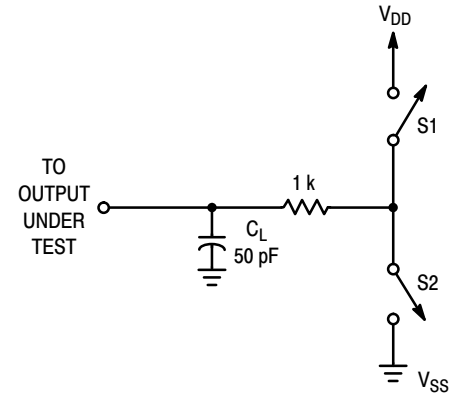


# MC14043B, MC14044B

## THREE-STATE ENABLE/DISABLE DELAYS

### Set, Reset, Enable, and Switch Conditions for 3-State Tests

| Test      | Enable | S1     | S2     | Q | MC14043B |          | MC14044B  |           |
|-----------|--------|--------|--------|---|----------|----------|-----------|-----------|
|           |        |        |        |   | S        | R        | $\bar{S}$ | $\bar{R}$ |
| $t_{PZH}$ |        | Open   | Closed | A | $V_{DD}$ | $V_{SS}$ | $V_{SS}$  | $V_{DD}$  |
| $t_{PZL}$ |        | Closed | Open   | B | $V_{SS}$ | $V_{DD}$ | $V_{DD}$  | $V_{SS}$  |
| $t_{PHZ}$ |        | Open   | Closed | A | $V_{DD}$ | $V_{SS}$ | $V_{SS}$  | $V_{DD}$  |
| $t_{PLZ}$ |        | Closed | Open   | B | $V_{SS}$ | $V_{DD}$ | $V_{DD}$  | $V_{SS}$  |



### ORDERING INFORMATION

| Device         | Package              | Shipping†                |
|----------------|----------------------|--------------------------|
| MC14043BCPG    | PDIP-16<br>(Pb-Free) | 500 Units / Rail         |
| MC14043BDG     | SOIC-16<br>(Pb-Free) | 48 Units / Rail          |
| NLV14043BDG*   |                      |                          |
| MC14043BDR2G   | SOIC-16<br>(Pb-Free) | 2500 Units / Tape & Reel |
| NLV14043BDR2G* |                      |                          |
| MC14043BFELG   | SOEIAJ-16            | 2000 Units / Tape & Reel |
| MC14044BCPG    | PDIP-16<br>(Pb-Free) | 500 Units / Rail         |
| MC14044BDG     | SOIC-16<br>(Pb-Free) | 48 Units / Rail          |
| MC14044BDR2G   | SOIC-16<br>(Pb-Free) | 2500 Units / Tape & Reel |

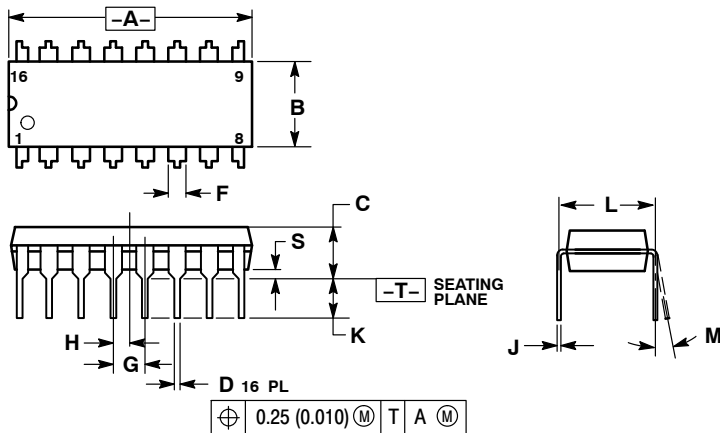
†For information on tape and reel specifications, including part orientation and tape sizes, please refer to our Tape and Reel Packaging Specifications Brochure, BRD8011/D.

\*NLV Prefix for Automotive and Other Applications Requiring Unique Site and Control Change Requirements; AEC-Q100 Qualified and PPAP Capable.

# MC14043B, MC14044B

## PACKAGE DIMENSIONS

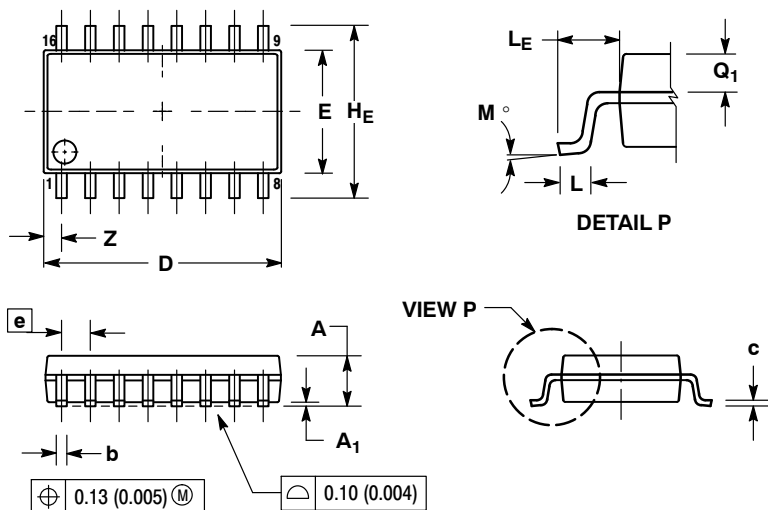
PDIP-16  
P SUFFIX  
PLASTIC DIP PACKAGE  
CASE 648-08  
ISSUE T



- NOTES:
1. DIMENSIONING AND TOLERANCING PER ANSI Y14.5M, 1982.
  2. CONTROLLING DIMENSION: INCH.
  3. DIMENSION L TO CENTER OF LEADS WHEN FORMED PARALLEL.
  4. DIMENSION B DOES NOT INCLUDE MOLD FLASH.
  5. ROUNDED CORNERS OPTIONAL.

| DIM | INCHES    |       | MILLIMETERS |       |
|-----|-----------|-------|-------------|-------|
|     | MIN       | MAX   | MIN         | MAX   |
| A   | 0.740     | 0.770 | 18.80       | 19.55 |
| B   | 0.250     | 0.270 | 6.35        | 6.85  |
| C   | 0.145     | 0.175 | 3.69        | 4.44  |
| D   | 0.015     | 0.021 | 0.39        | 0.53  |
| F   | 0.040     | 0.70  | 1.02        | 1.77  |
| G   | 0.100 BSC |       | 2.54 BSC    |       |
| H   | 0.050 BSC |       | 1.27 BSC    |       |
| J   | 0.008     | 0.015 | 0.21        | 0.38  |
| K   | 0.110     | 0.130 | 2.80        | 3.30  |
| L   | 0.295     | 0.305 | 7.50        | 7.74  |
| M   | 0°        | 10°   | 0°          | 10°   |
| S   | 0.020     | 0.040 | 0.51        | 1.01  |

SOEIAJ-16  
F SUFFIX  
PLASTIC EIAJ SOIC PACKAGE  
CASE 966-01  
ISSUE A



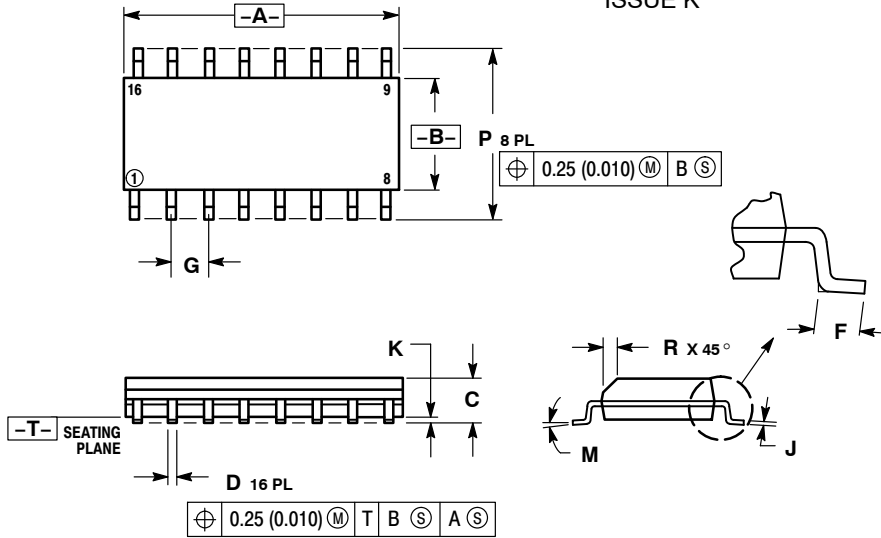
- NOTES:
1. DIMENSIONING AND TOLERANCING PER ANSI Y14.5M, 1982.
  2. CONTROLLING DIMENSION: MILLIMETER.
  3. DIMENSIONS D AND E DO NOT INCLUDE MOLD FLASH OR PROTRUSIONS AND ARE MEASURED AT THE PARTING LINE. MOLD FLASH OR PROTRUSIONS SHALL NOT EXCEED 0.15 (0.006) PER SIDE.
  4. TERMINAL NUMBERS ARE SHOWN FOR REFERENCE ONLY.
  5. THE LEAD WIDTH DIMENSION (b) DOES NOT INCLUDE DAMBAR PROTRUSION. ALLOWABLE DAMBAR PROTRUSION SHALL BE 0.08 (0.003) TOTAL IN EXCESS OF THE LEAD WIDTH DIMENSION AT MAXIMUM MATERIAL CONDITION. DAMBAR CANNOT BE LOCATED ON THE LOWER RADIUS OR THE FOOT. MINIMUM SPACE BETWEEN PROTRUSIONS AND ADJACENT LEAD TO BE 0.46 (0.018).

| DIM            | MILLIMETERS |       | INCHES    |       |
|----------------|-------------|-------|-----------|-------|
|                | MIN         | MAX   | MIN       | MAX   |
| A              | ---         | 2.05  | ---       | 0.081 |
| A <sub>1</sub> | 0.05        | 0.20  | 0.002     | 0.008 |
| b              | 0.35        | 0.50  | 0.014     | 0.020 |
| c              | 0.10        | 0.20  | 0.007     | 0.011 |
| D              | 9.90        | 10.50 | 0.390     | 0.413 |
| E              | 5.10        | 5.45  | 0.201     | 0.215 |
| e              | 1.27 BSC    |       | 0.050 BSC |       |
| H <sub>E</sub> | 7.40        | 8.20  | 0.291     | 0.323 |
| L              | 0.50        | 0.85  | 0.020     | 0.033 |
| L <sub>E</sub> | 1.10        | 1.50  | 0.043     | 0.059 |
| M              | 0°          | 10°   | 0°        | 10°   |
| Q <sub>1</sub> | 0.70        | 0.90  | 0.028     | 0.035 |
| Z              | ---         | 0.78  | ---       | 0.031 |

# MC14043B, MC14044B

## PACKAGE DIMENSIONS

### SOIC-16 D SUFFIX PLASTIC SOIC PACKAGE CASE 751B-05 ISSUE K

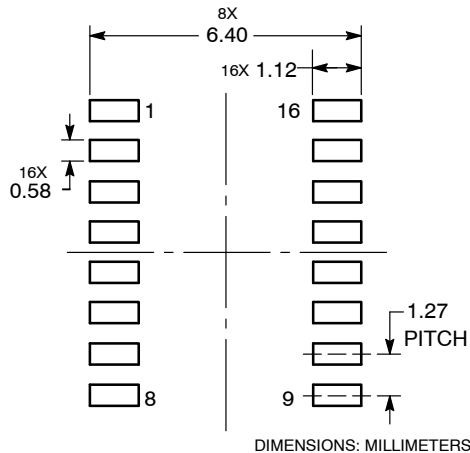


#### NOTES:

1. DIMENSIONING AND TOLERANCING PER ANSI Y14.5M, 1982.
2. CONTROLLING DIMENSION: MILLIMETER.
3. DIMENSIONS A AND B DO NOT INCLUDE MOLD PROTRUSION.
4. MAXIMUM MOLD PROTRUSION 0.15 (0.006) PER SIDE.
5. DIMENSION D DOES NOT INCLUDE DAMBAR PROTRUSION. ALLOWABLE DAMBAR PROTRUSION SHALL BE 0.127 (0.005) TOTAL IN EXCESS OF THE D DIMENSION AT MAXIMUM MATERIAL CONDITION.

| DIM | MILLIMETERS |       | INCHES    |       |
|-----|-------------|-------|-----------|-------|
|     | MIN         | MAX   | MIN       | MAX   |
| A   | 9.80        | 10.00 | 0.386     | 0.393 |
| B   | 3.80        | 4.00  | 0.150     | 0.157 |
| C   | 1.35        | 1.75  | 0.054     | 0.068 |
| D   | 0.35        | 0.49  | 0.014     | 0.019 |
| F   | 0.40        | 1.25  | 0.016     | 0.049 |
| G   | 1.27 BSC    |       | 0.050 BSC |       |
| J   | 0.19        | 0.25  | 0.008     | 0.009 |
| K   | 0.10        | 0.25  | 0.004     | 0.009 |
| M   | 0°          | 7°    | 0°        | 7°    |
| P   | 5.80        | 6.20  | 0.229     | 0.244 |
| R   | 0.25        | 0.50  | 0.010     | 0.019 |

### SOLDERING FOOTPRINT



ON Semiconductor and are registered trademarks of Semiconductor Components Industries, LLC (SCILLC). SCILLC owns the rights to a number of patents, trademarks, copyrights, trade secrets, and other intellectual property. A listing of SCILLC's product/patent coverage may be accessed at [www.onsemi.com/site/pdf/Patent-Marketing.pdf](http://www.onsemi.com/site/pdf/Patent-Marketing.pdf). SCILLC reserves the right to make changes without further notice to any products herein. SCILLC makes no warranty, representation or guarantee regarding the suitability of its products for any particular purpose, nor does SCILLC assume any liability arising out of the application or use of any product or circuit, and specifically disclaims any and all liability, including without limitation special, consequential or incidental damages. "Typical" parameters which may be provided in SCILLC data sheets and/or specifications can and do vary in different applications and actual performance may vary over time. All operating parameters, including "Typicals" must be validated for each customer application by customer's technical experts. SCILLC does not convey any license under its patent rights nor the rights of others. SCILLC products are not designed, intended, or authorized for use as components in systems intended for surgical implant into the body, or other applications intended to support or sustain life, or for any other application in which the failure of the SCILLC product could create a situation where personal injury or death may occur. Should Buyer purchase or use SCILLC products for any such unintended or unauthorized application, Buyer shall indemnify and hold SCILLC and its officers, employees, subsidiaries, affiliates, and distributors harmless against all claims, costs, damages, and expenses, and reasonable attorney fees arising out of, directly or indirectly, any claim of personal injury or death associated with such unintended or unauthorized use, even if such claim alleges that SCILLC was negligent regarding the design or manufacture of the part. SCILLC is an Equal Opportunity/Affirmative Action Employer. This literature is subject to all applicable copyright laws and is not for resale in any manner.

### PUBLICATION ORDERING INFORMATION

#### LITERATURE FULFILLMENT:

Literature Distribution Center for ON Semiconductor  
P.O. Box 5163, Denver, Colorado 80217 USA  
Phone: 303-675-2175 or 800-344-3860 Toll Free USA/Canada  
Fax: 303-675-2176 or 800-344-3867 Toll Free USA/Canada  
Email: [orderlit@onsemi.com](mailto:orderlit@onsemi.com)

N. American Technical Support: 800-282-9855 Toll Free  
USA/Canada  
Europe, Middle East and Africa Technical Support:  
Phone: 421 33 790 2910  
Japan Customer Focus Center  
Phone: 81-3-5817-1050

ON Semiconductor Website: [www.onsemi.com](http://www.onsemi.com)

Order Literature: <http://www.onsemi.com/orderlit>

For additional information, please contact your local Sales Representative

Компания «Океан Электроники» предлагает заключение долгосрочных отношений при поставках импортных электронных компонентов на взаимовыгодных условиях!

Наши преимущества:

- Поставка оригинальных импортных электронных компонентов напрямую с производств Америки, Европы и Азии, а так же с крупнейших складов мира;
- Широкая линейка поставок активных и пассивных импортных электронных компонентов (более 30 млн. наименований);
- Поставка сложных, дефицитных, либо снятых с производства позиций;
- Оперативные сроки поставки под заказ (от 5 рабочих дней);
- Экспресс доставка в любую точку России;
- Помощь Конструкторского Отдела и консультации квалифицированных инженеров;
- Техническая поддержка проекта, помощь в подборе аналогов, поставка прототипов;
- Поставка электронных компонентов под контролем ВП;
- Система менеджмента качества сертифицирована по Международному стандарту ISO 9001;
- При необходимости вся продукция военного и аэрокосмического назначения проходит испытания и сертификацию в лаборатории (по согласованию с заказчиком);
- Поставка специализированных компонентов военного и аэрокосмического уровня качества (Xilinx, Altera, Analog Devices, Intersil, Interpoint, Microsemi, Actel, Aeroflex, Peregrine, VPT, Syfer, Eurofarad, Texas Instruments, MS Kennedy, Miteq, Cobham, E2V, MA-COM, Hittite, Mini-Circuits, General Dynamics и др.);

Компания «Океан Электроники» является официальным дистрибьютором и эксклюзивным представителем в России одного из крупнейших производителей разъемов военного и аэрокосмического назначения «JONHON», а так же официальным дистрибьютором и эксклюзивным представителем в России производителя высокотехнологичных и надежных решений для передачи СВЧ сигналов «FORSTAR».



## JONHON

«JONHON» (основан в 1970 г.)

Разъемы специального, военного и аэрокосмического назначения:

(Применяются в военной, авиационной, аэрокосмической, морской, железнодорожной, горно- и нефтедобывающей отраслях промышленности)

«FORSTAR» (основан в 1998 г.)

ВЧ соединители, коаксиальные кабели, кабельные сборки и микроволновые компоненты:

(Применяются в телекоммуникациях гражданского и специального назначения, в средствах связи, РЛС, а так же военной, авиационной и аэрокосмической отраслях промышленности).



Телефон: 8 (812) 309-75-97 (многоканальный)

Факс: 8 (812) 320-03-32

Электронная почта: [ocean@oceanchips.ru](mailto:ocean@oceanchips.ru)

Web: <http://oceanchips.ru/>

Адрес: 198099, г. Санкт-Петербург, ул. Калинина, д. 2, корп. 4, лит. А