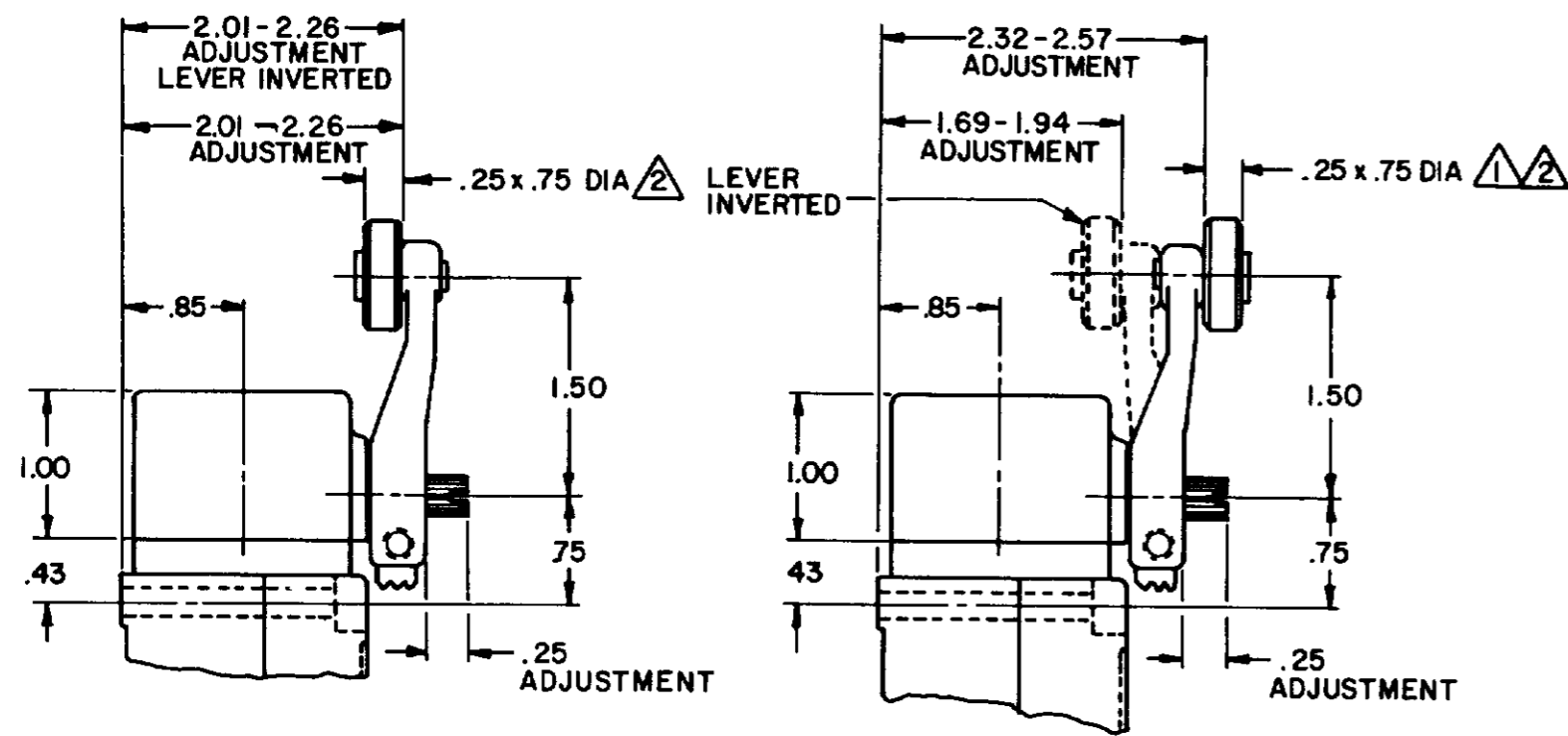
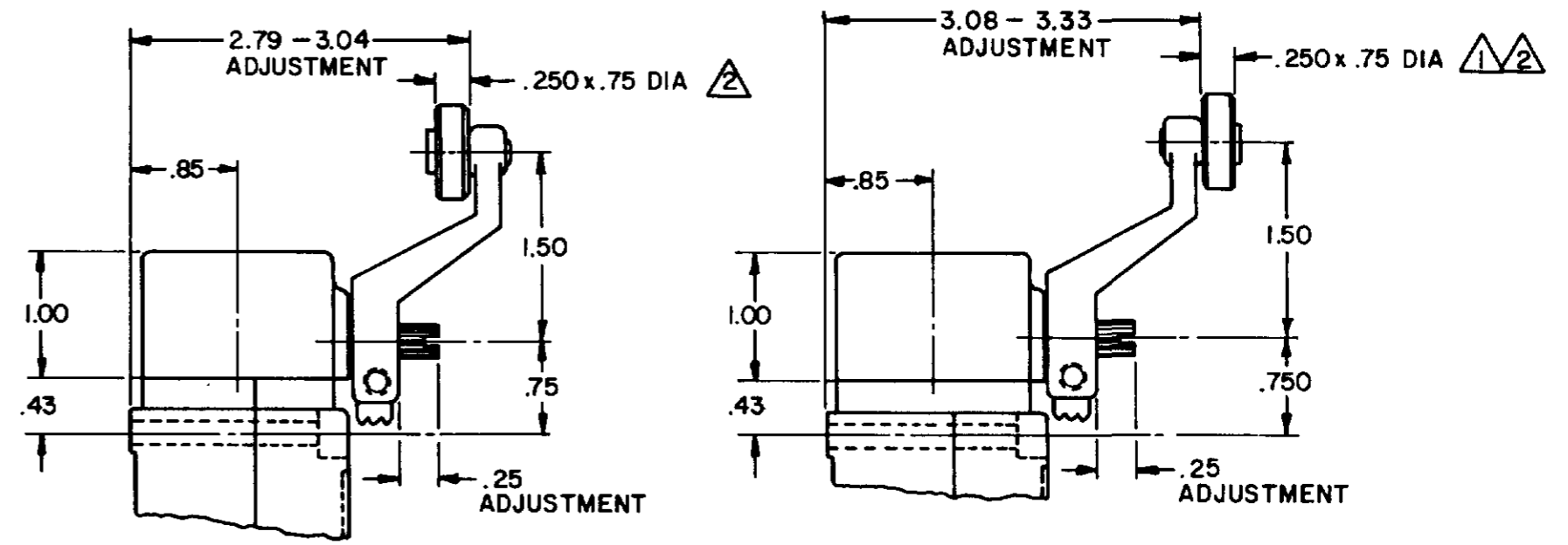




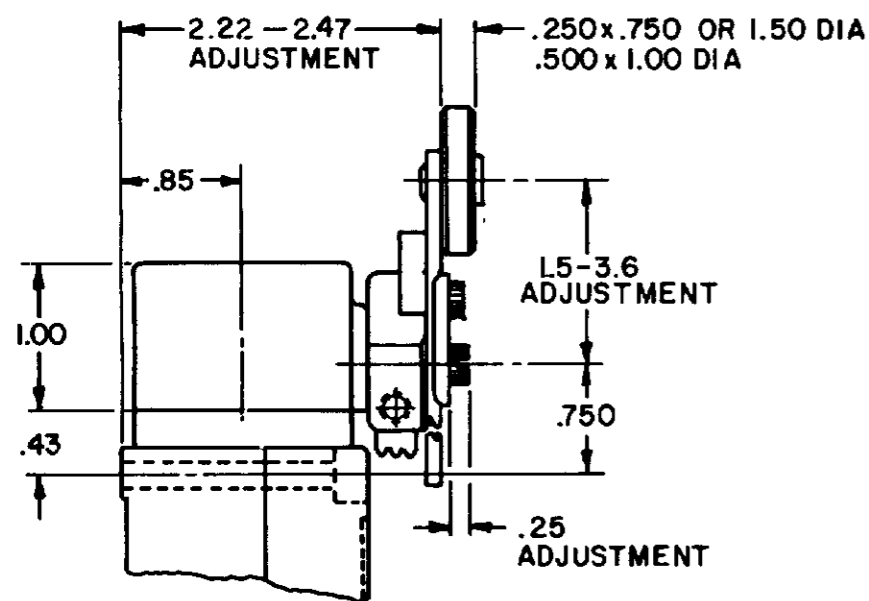
SIDE ROTARY CAM TRACKING



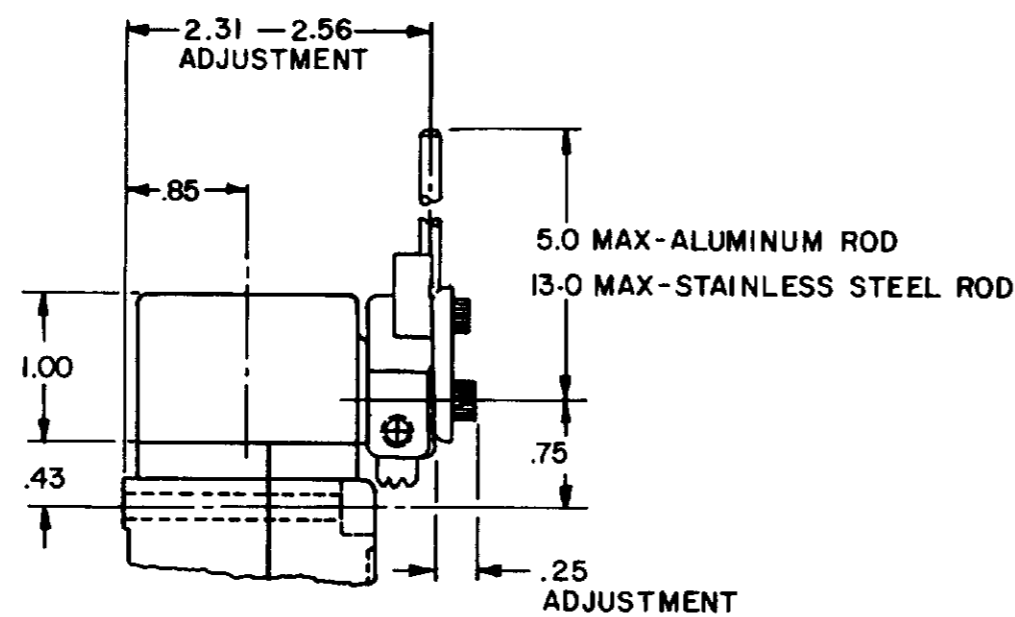
LSZ51 TYPE LEVERS



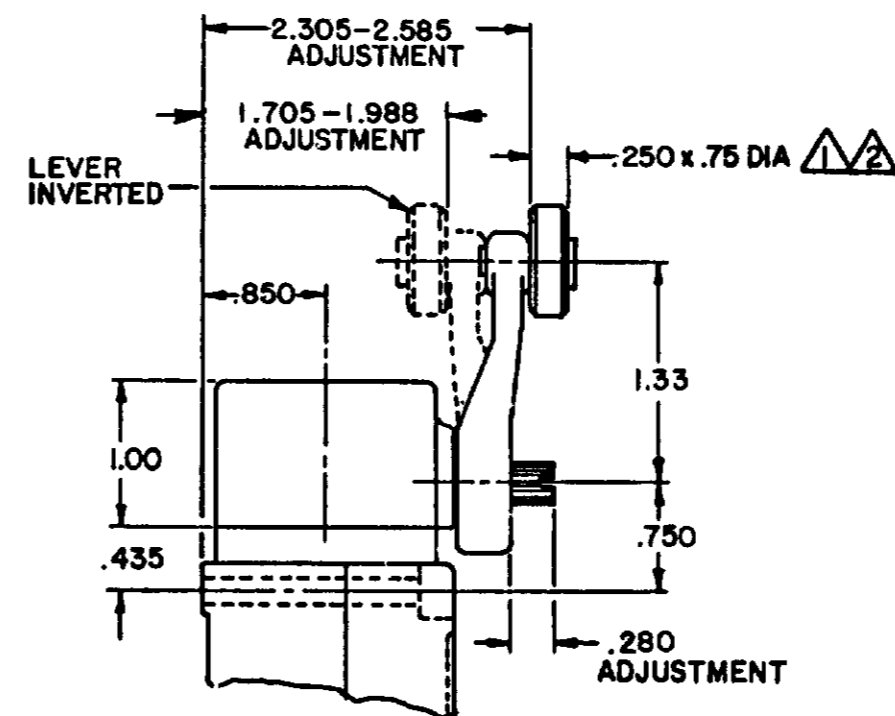
LSZ55 TYPE LEVERS



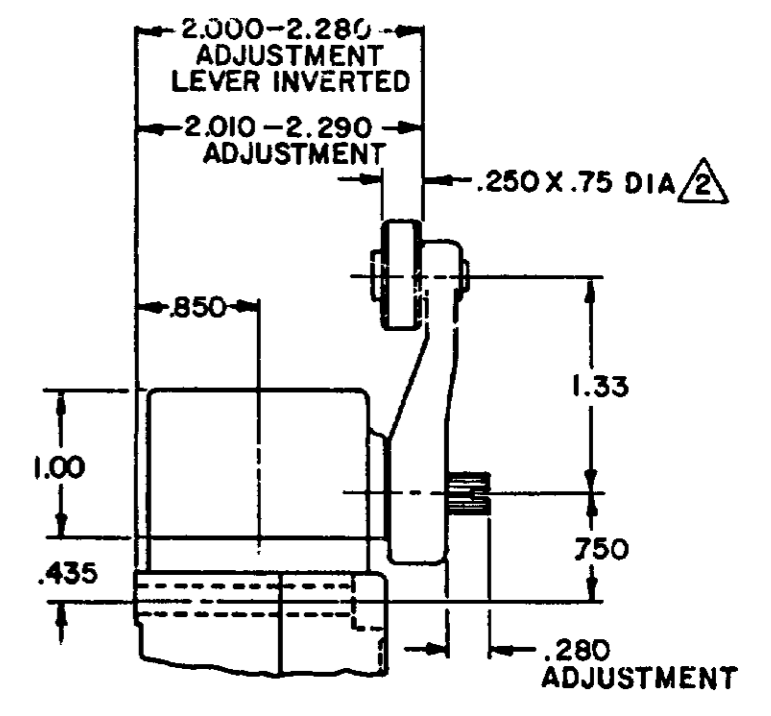
LSZ52 TYPE LEVER



LSZ54 TYPE LEVER



OPEN MOUNTED ROLLER



CLOSED MOUNTED ROLLER

LSZ59 TYPE LEVERS

NOTES

- 1 ALSO AVAILABLE IN Ø.250 X 1.500 NYLON, BUT LEVER CANNOT BE INVERTED
- 2 FOR ADDITIONAL ROLLER WIDTHS AND/OR DIAMETERS REFER TO "M" DRAWING
- 3 - FOR ADDITIONAL TYPES OF ROLLERS AND LEVERS REFER TO LSZ CHART 1 "M" DRAWING

CATALOG LISTING LSA-LSW SERIES CHART 1  
 ISSUE 12  
 PSR 10JUL07 RELEASE NO. CO-78498 REPLACES LSA-LSW SERIES  
 CHECK 11AUG04  
 REVISIONS  
 L 0031956  
 BS 10JUL07  
 B 201004  
 C SL 10AUG00  
 C 201748  
 C SL 17NOV00  
 D 202198  
 C SL 23JAN01  
 E 204871  
 C SL FEB 02  
 F 206581  
 GLH 14OCT02  
 G 206763  
 C SL 31OCT02  
 H 207179  
 GLH 14JAN03  
 J 207474  
 SL 18FEB03  
 K 0006871  
 RR 11AUG04  
 DRAWN MAM 15 JUN 94  
 CHECK JAF 11 JUL 94  
 RASTER

THIS DRAWING COVERS A PROPRIETARY ITEM AND IS THE PROPERTY OF MICRO SWITCH, A DIVISION OF HONEYWELL. THIS DRAWING IS NOT TO BE COPIED OR USED WITHOUT THE APPROVAL OF MICRO SWITCH.

**MICRO SWITCH**  
a Honeywell Division

SWITCH - ENCLOSED

CATALOG LISTING  
**LSA-LSW SERIES**  
CHART 1

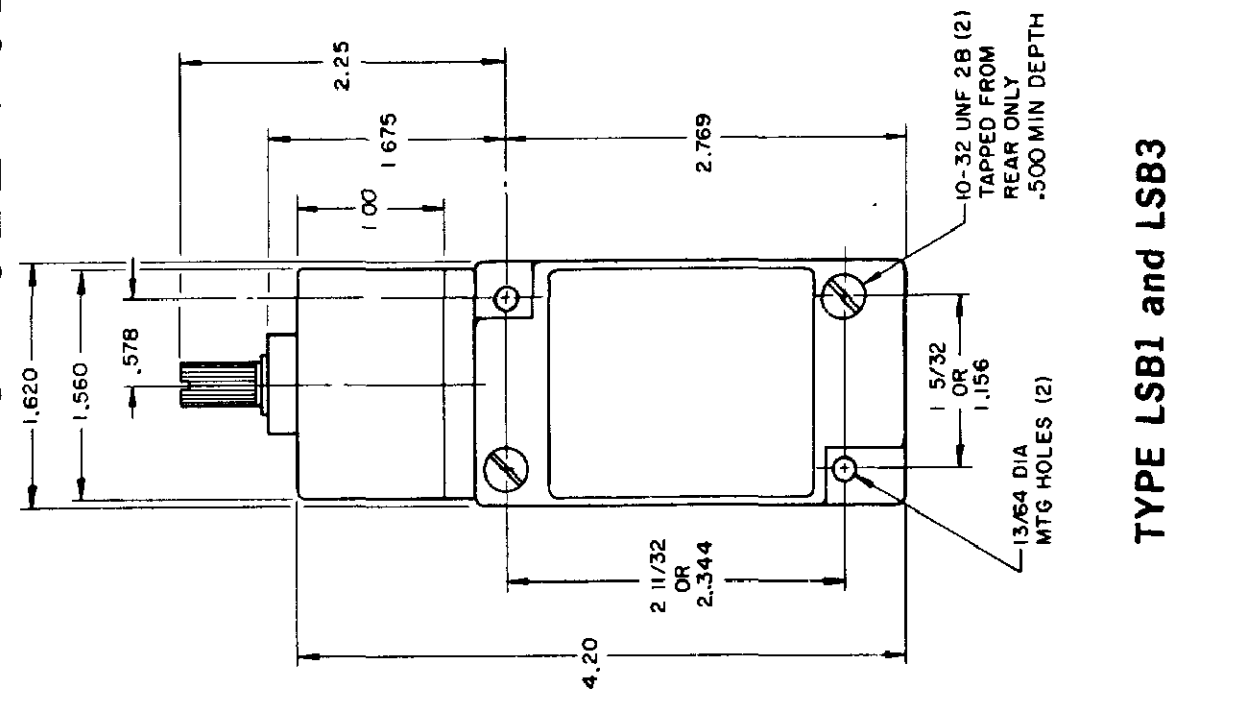
FED MFG CODE 91929

THIRD ANGLE PROJECTION	
SCALE NONE	
DO NOT SCALE PRINT	
UNLESS OTHERWISE SPECIFIED TOLERANCES ARE	
ONE PLACE ( )	±.030
TWO PLACES ( .00 )	±.015
THREE PLACES ( .000 )	±.005
ANGLES	±
WEIGHT	

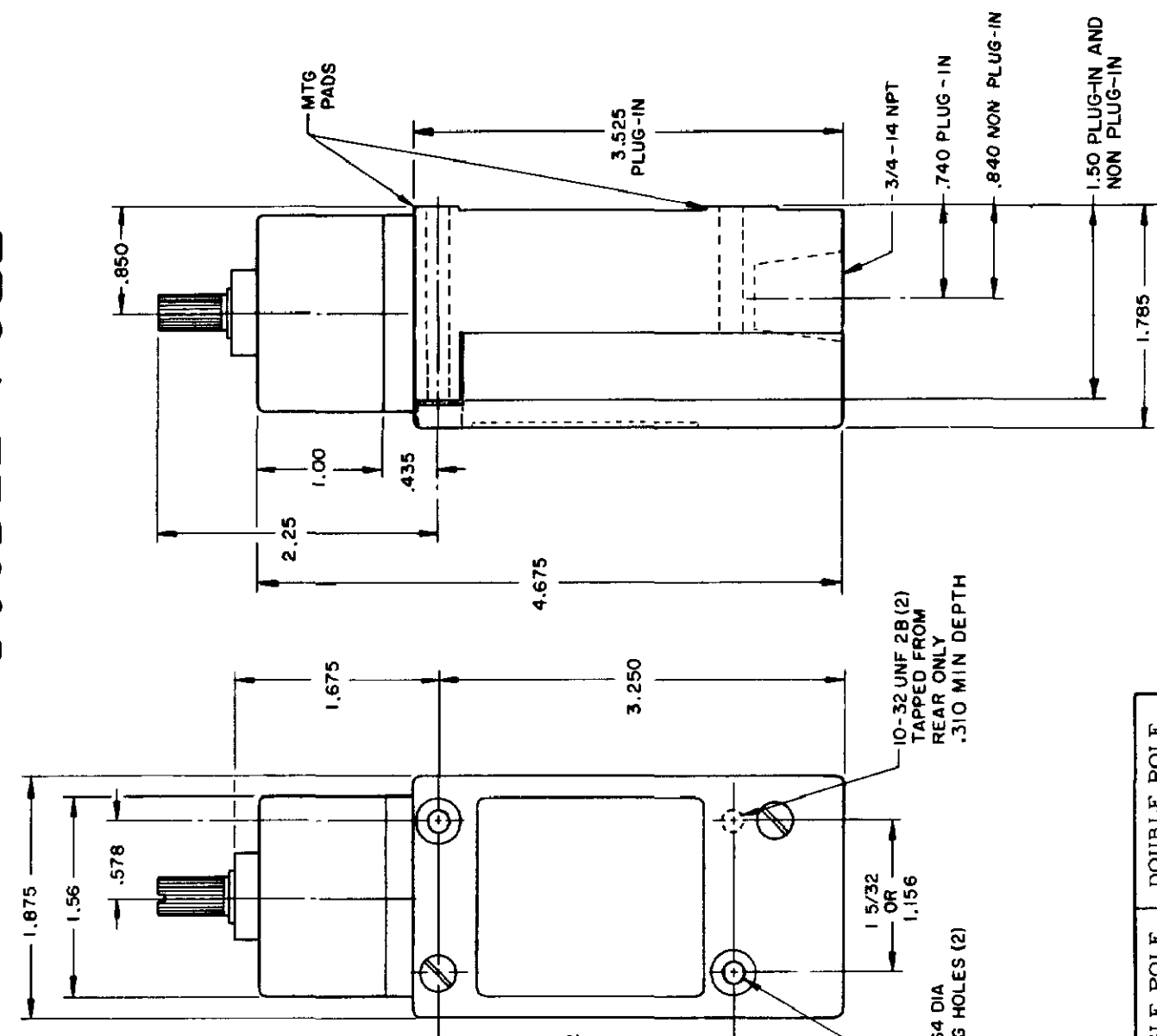
**TOP ROTARY**

**SINGLE POLE**

**DOUBLE POLE**



**TYPE LSB1 and LSB3**



**TYPE LSB2 and LSB4**  
 LSB6 and LSB7 have 1/2 - 14 NPT CONDUIT HOLE

	SINGLE POLE	DOUBLE POLE
PRETRAVEL MAX	25°	25°
OVERTRAVEL MIN	110°	110°
DIFFERENTIAL TRAVEL MAX	10°	12°
OPERATING TORQUE MAX	2 5 IN. LBS	2 5 IN. LBS
TOTAL TRAVEL (REF)	135°	135°

**ELECTRICAL RATINGS**

A.C. VOLTAGE	AMPS AT 35 POWER FACTOR			
	SINGL POLE		DOUBLE POLE	
	MAKE	BREAK	MAKE	BREAK
120	60	6	30	3
240	30	3	15	1.5
480	15	1.5	7.5	7.5
600	12	1.2	6	6

D.C. VOLTAGE	MAKE & BREAK	
	INDUCTIVE	RESISTIVE
120	0.25	0.80
240	0.15	0.40

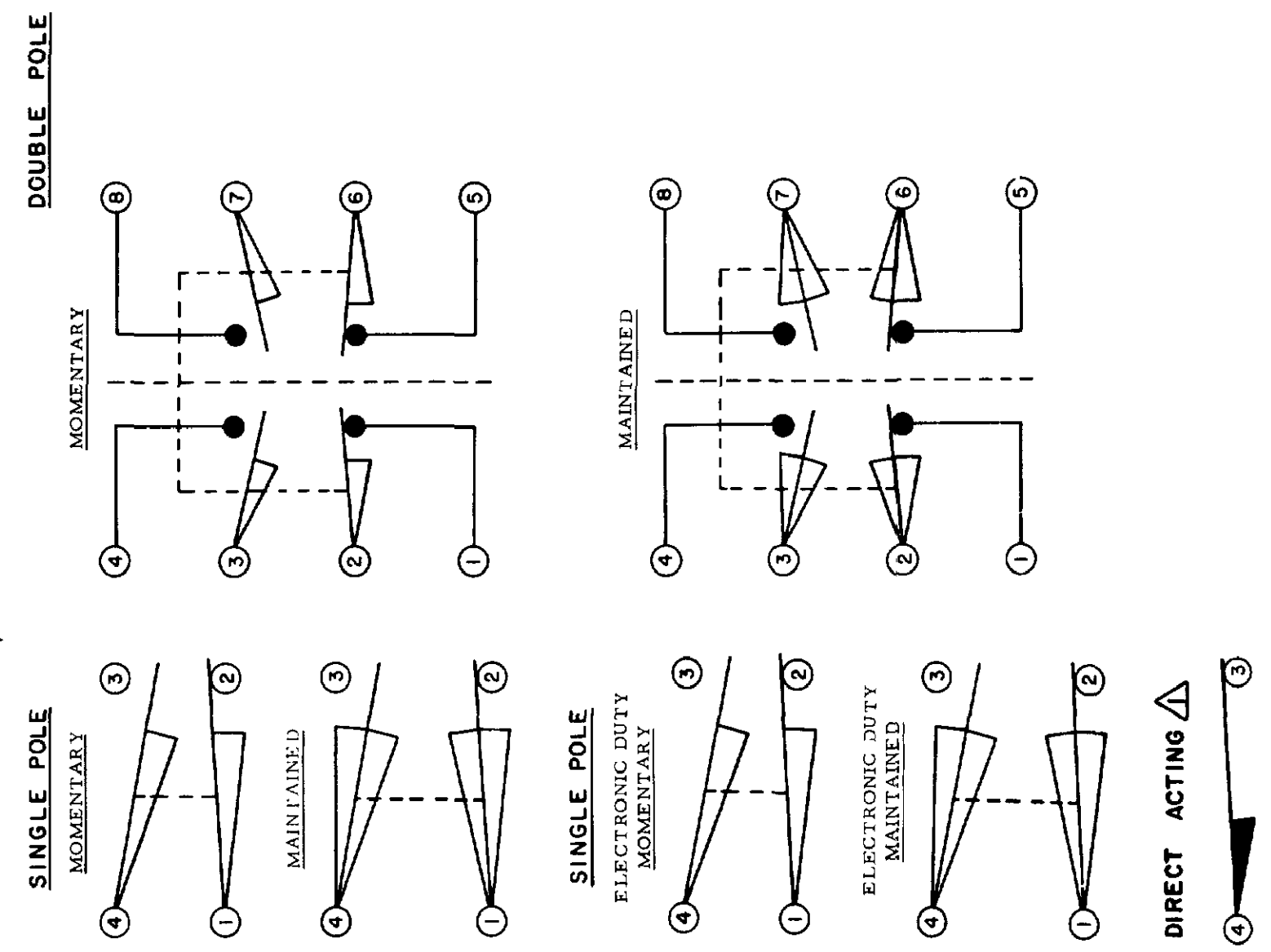
ELECTRONIC DUTY BASIC SWITCH  
 10 AMP CONT.

VOLTAGE	MAKE AND BREAK AMPS	
	INDUCTIVE	RESISTIVE
5 AC OR DC MIN	01 AMP MIN	
600 AC	720 VA	
240 DC	30 WATT	

DIRECT ACTING (ALSO RATED AT A.C. 10 AMP CONT.)

D.C. VOLTAGE	MAKE AND BREAK AMPS	
	INDUCTIVE	RESISTIVE
30	4.2	4.2
120	1.1	1.1
240	.55	.55

**WIRING BASIC SWITCH**  
 (SAME POLARITY MUST BE OBSERVED FOR EACH POLE)



NOTES  
 Δ DIFFERENTIAL TRAVEL ON ALL OPERATING CHARACTERISTICS NOT APPLICABLE

RASTER

DRAWN

MAM 15 JUN 94

11 JUL 94

11 AUG 94

11 AUG 94

11 AUG 94

11 AUG 94

11 AUG 94

11 AUG 94

11 AUG 94

11 AUG 94

11 AUG 94

11 AUG 94

11 AUG 94

11 AUG 94

11 AUG 94

11 AUG 94

11 AUG 94

11 AUG 94

11 AUG 94

11 AUG 94

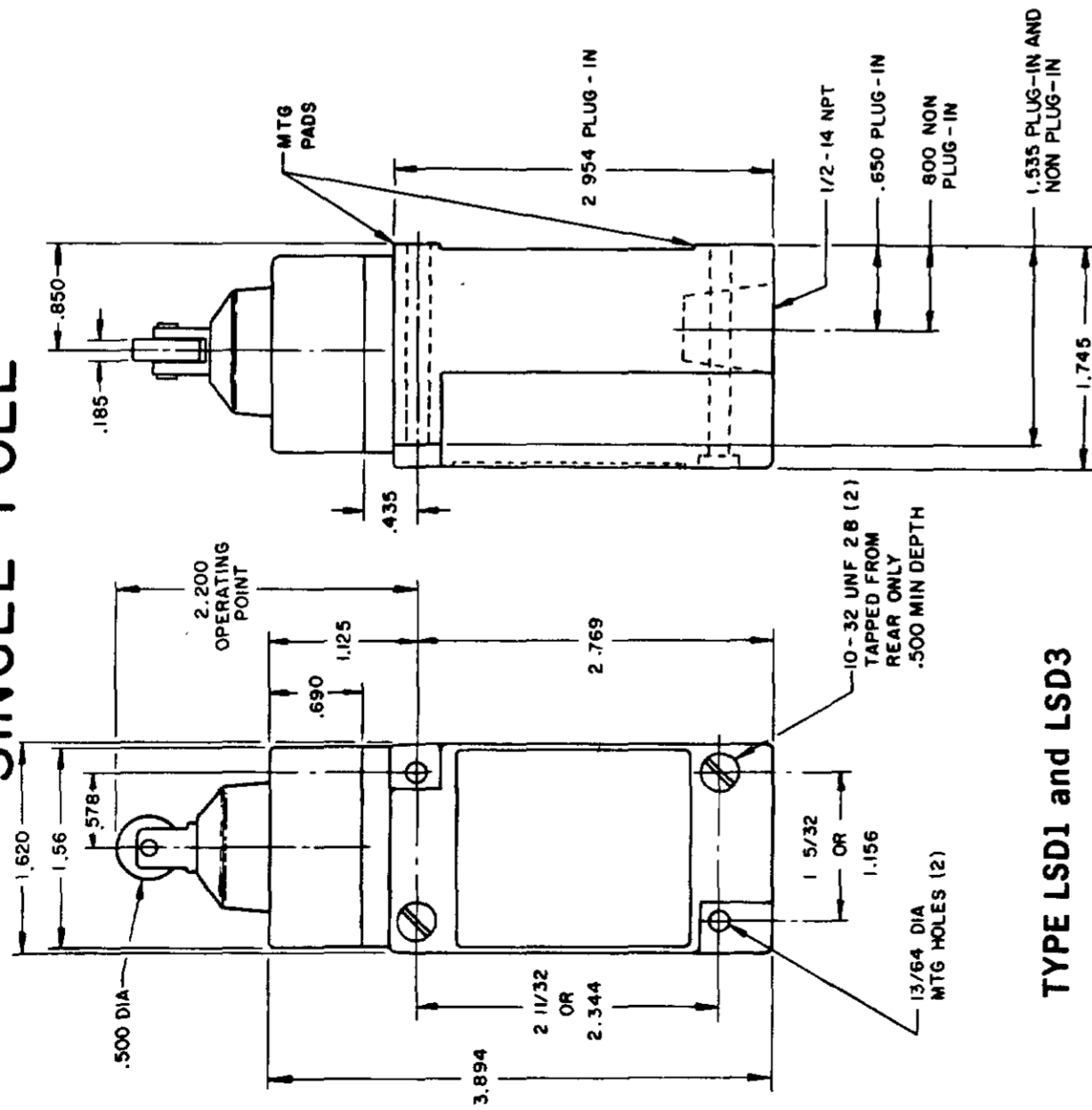
REV	NO	DATE	BY	CHKD	DESCRIPTION
L	0031956				
B	201004	10 JUL 07			
C	201748	10 AUG 00			
D	202198	17 NOV 00			
E	204871	25 JAN 01			
F	206581	14 OCT 02			
G	206763	31 OCT 02			
H	207178	14 JAN 03			
I	207474	18 FEB 03			
K	0006871	11 AUG 94			

ISSUE 12  
 M LSA-LSW SERIES CHART 1  
 PAGE 4 OF 10  
 PSR 10 JUL 07  
 CHECK 11 AUG 04  
 RELEASE NO CO-78498  
 REPLACES LSA-LSW SERIES

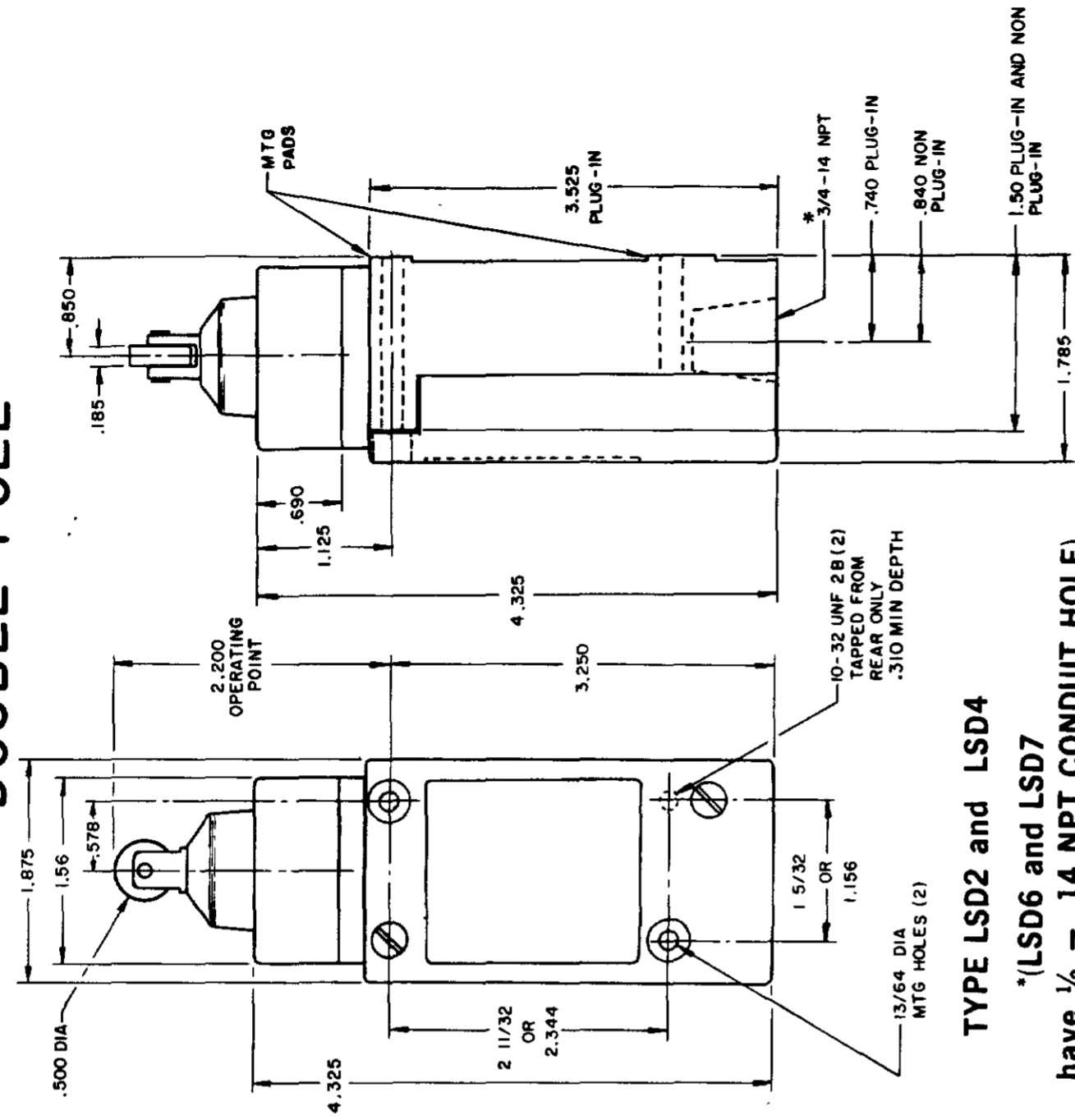
# PLUNGER TYPE TOP

## SINGLE POLE

## DOUBLE POLE

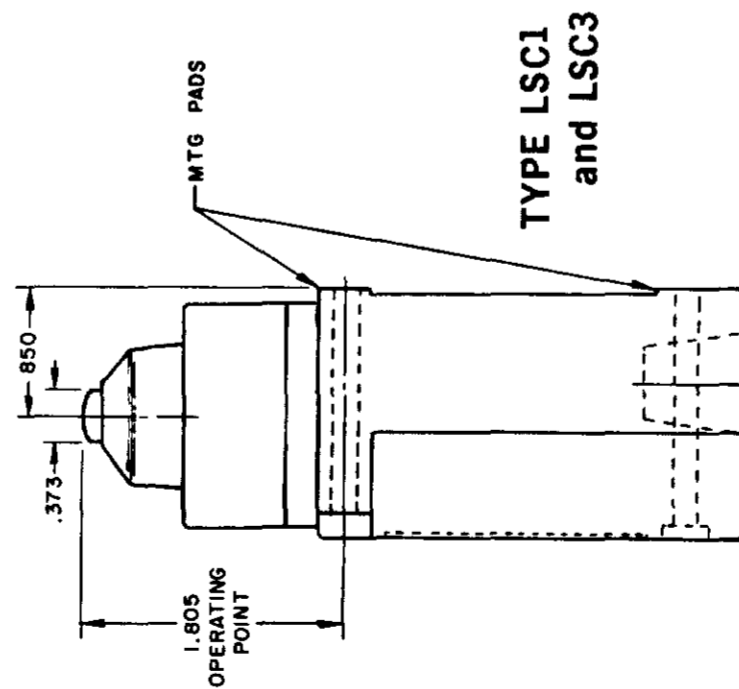


TYPE LSD1 and LSD3

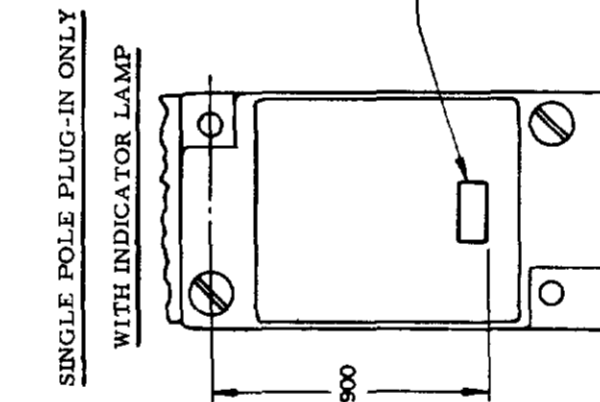


TYPE LSD2 and LSD4

\*(LSD6 and LSD7 have 1/2 - 14 NPT CONDUIT HOLE)

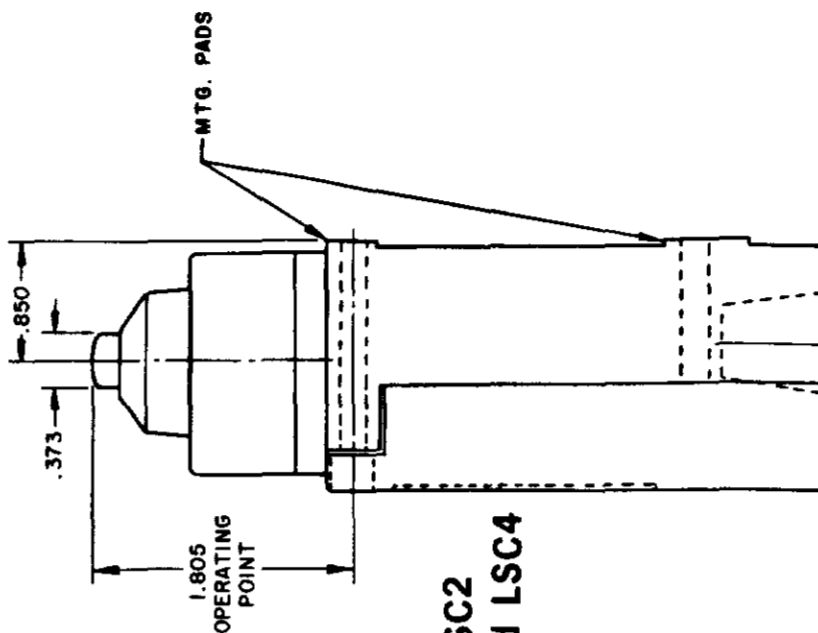


TYPE LSC1 and LSC3

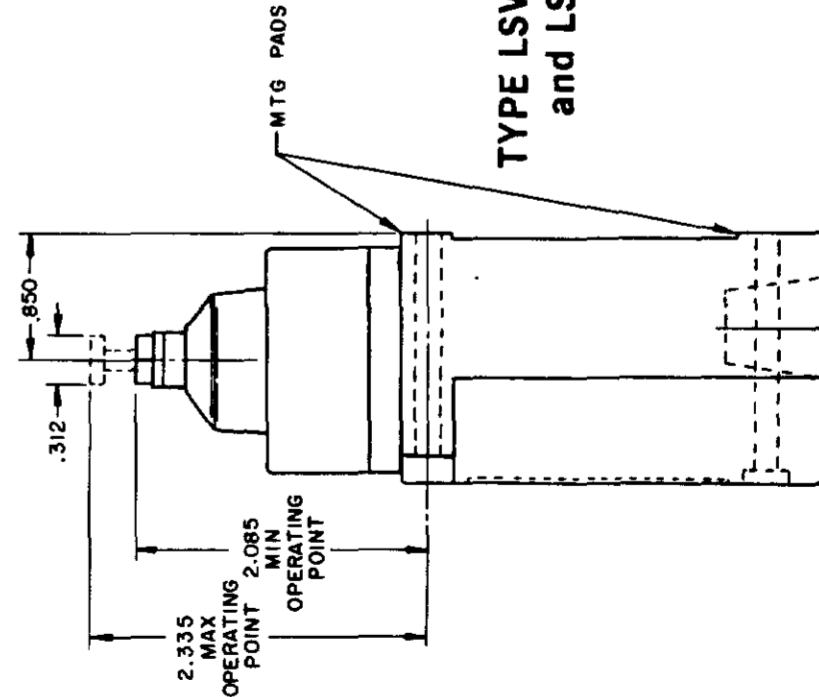


SINGLE POLE PLUG-IN ONLY WITH INDICATOR LAMP

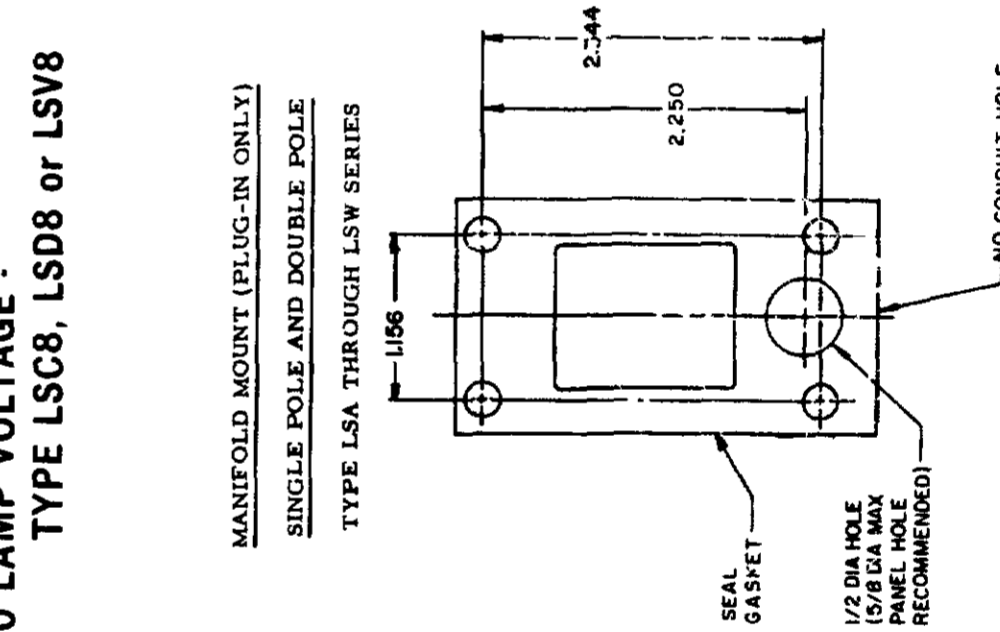
TYPE LSC2 and LSC4



120 LAMP VOLTAGE - TYPE LSC5, LSD5 or LSV5  
 240 LAMP VOLTAGE - TYPE LSC8, LSD8 or LSV8



TYPE LSV1 and LSV3

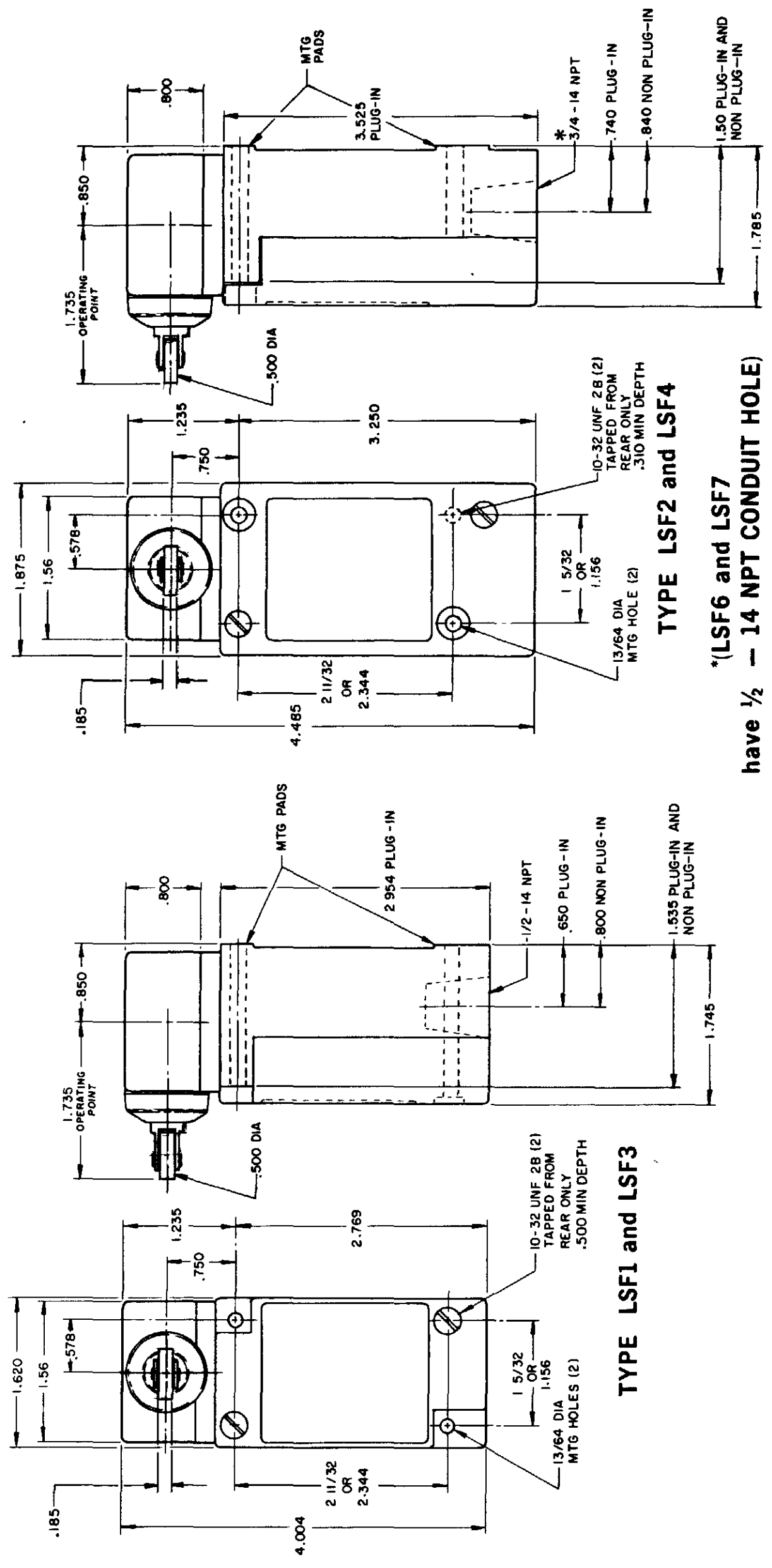


MANIFOLD MOUNT (PLUG-IN ONLY)  
 SINGLE POLE AND DOUBLE POLE  
 TYPE LSA THROUGH LSW SERIES

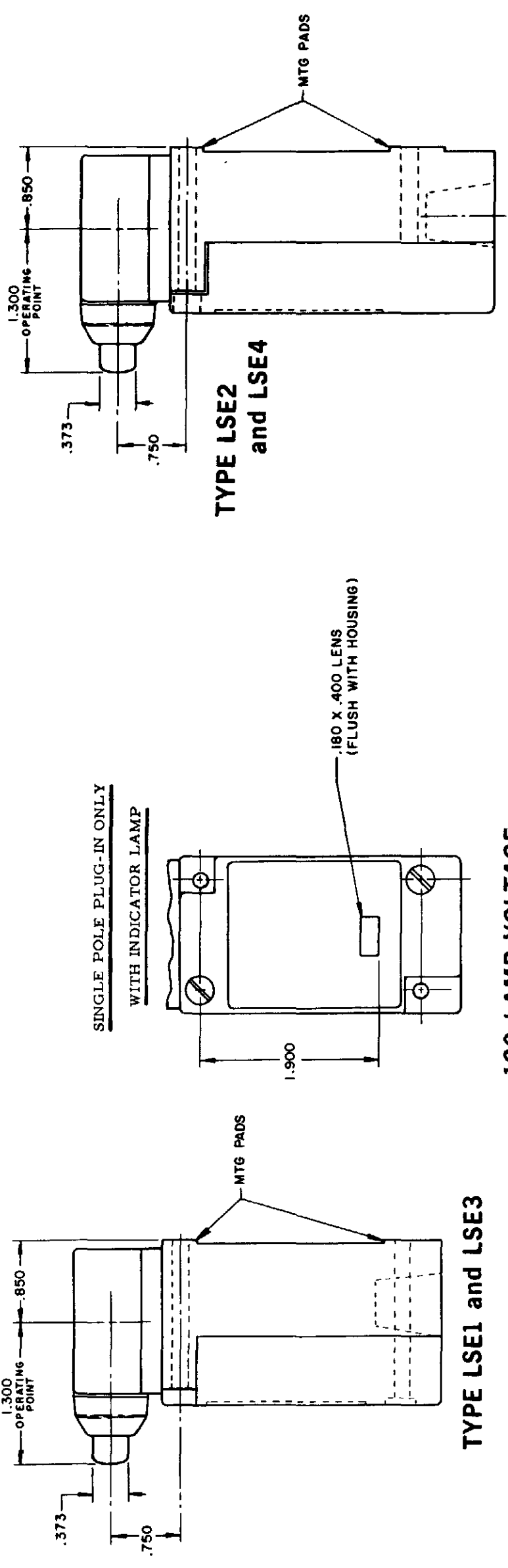
RASTER  
DRAWN  
MAM 15 JUN 94  
CHECK JAF  
11 JUL 94  
CHECK AK  
11 AUG 94  
CHECK PSR  
10 JUL 97  
RELEASE NO CO-78498  
REPLACES LSA-LSW SERIES

REV	DATE	BY	CHKD	DESCRIPTION
L	0031956			
B	201004			
C	201748			
D	202198			
E	204871			
F	206581			
G	206763			
H	207179			
I	207474			
J	207503			
K	0006871			

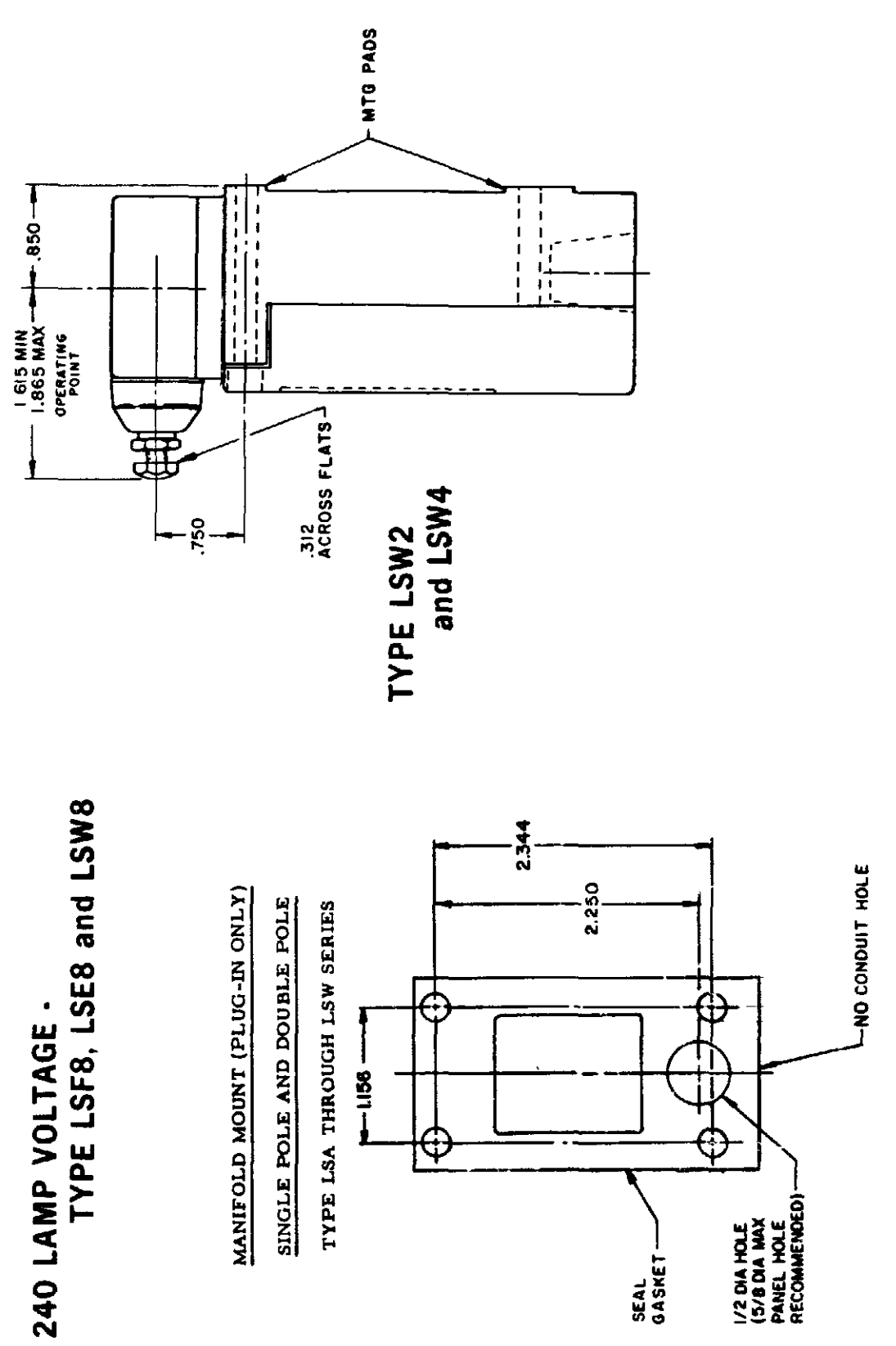
SIDE PLUNGER TYPE DOUBLE POLE



TYPE LSF1 and LSF3  
TYPE LSF2 and LSF4  
TYPE LSF6 and LSF7  
have 1/2 - 14 NPT CONDUIT HOLE)



TYPE LSE1 and LSE3  
TYPE LSE2 and LSE4  
TYPE LSW1 and LSW3  
120 LAMP VOLTAGE - TYPE LSF5, LSE5 and LSW5  
240 LAMP VOLTAGE - TYPE LSF8, LSE8 and LSW8



TYPE LSW2 and LSW4  
TYPE LSW5 and LSW7

THIS DRAWING COVERS A PROPRIETARY ITEM AND IS THE PROPERTY OF MICRO SWITCH A DIVISION OF HONEYWELL THIS DRAWING IS NOT TO BE COPIED OR USED WITHOUT THE APPROVAL OF MICRO SWITCH

**MICRO SWITCH**  
a Honeywell Division

SWITCH - ENCLOSED

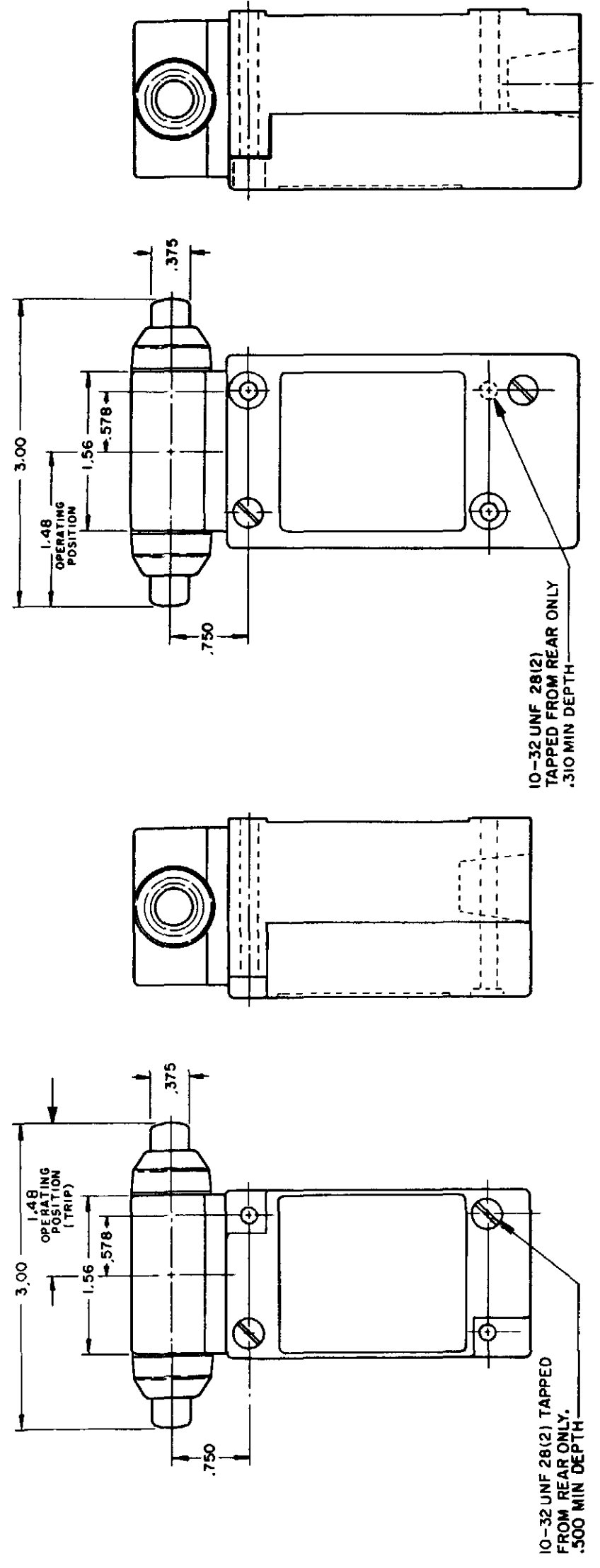
CATALOG LISTING  
**LSA-LSW SERIES**  
CHART 1

FED MFG CODE 91929

ISSUE 12 PSR 10JUL07 RELEASE NO CO-78498 REPLACES LSA-LSW SERIES

REVISIONS  
 L 0031956  
 M 10 JUL 07  
 B 201004  
 C 201748  
 D 202198  
 E 204871  
 F 206581  
 G 206763  
 H 207179  
 J 207474  
 K 0006871

CATALOG LISTING  
**M** LSA-LSW SERIES CHART 1  
 PAGE 6 OF 10  
 CHECK 11AUG04  
 CHECK 11JUL94  
 CHECK 15JUN94



TYPE LSG2 and LSG4

TYPE LSG1 and LSG3

INITIAL POSITION (FREE POSITION) } PRETRAVEL  
 OPERATING POINT } DIFFERENTIAL TRAVEL  
 FULL TRAVEL } OVERTRAVEL

TOP PLUNGER TYPES

CHARACTERISTICS	LSC PLUNGER		LSD ROLLER PLUNGER		LSV ADJ PLUNGER		SEQUENCE BASIC		
	PRETRAVEL (MAX)	DIFFERENTIAL TRAVEL (MAX)	SINGLE POLE	DOUBLE POLE	SINGLE POLE	DOUBLE POLE	LSC	LSD	LSV
PRETRAVEL (MAX)	.070	.070	.070	.070	.070	.070	1ST STEP .070		
DIFFERENTIAL TRAVEL (MAX)	.015	.020	.015	.020	.015	.020	2ND STEP .016 MIN ADD'L		
OVERTRAVEL (MIN)	.190	.190	.190	.190	.190	.190	.015 EACH STEP		
OPERATING FORCE (MAX)	4 LBS	4 LBS	4 LBS	4 LBS	4 LBS	4 LBS			
OPERATING POINT	1.805 ± .030	2.200 ± .040	2.085 MIN	2.335 MAX	2.085 MIN	2.335 MAX	1ST STEP		
FULL OVERTRAVEL FORCE (MAX)	7 LBS	7 LBS	7 LBS	7 LBS	7 LBS	7 LBS	1.815±.030	2.210±.040	2.095 MIN / 2.345 MAX

SIDE PLUNGER TYPES

CHARACTERISTICS	LSE PLUNGER		LSF ROLLER PLUNGER		LSW ADJ PLUNGER		SEQUENCE BASIC		
	PRETRAVEL (MAX)	DIFFERENTIAL TRAVEL (MAX)	SINGLE POLE	DOUBLE POLE	SINGLE POLE	DOUBLE POLE	LSE	LSF	LSW
PRETRAVEL (MAX)	.100	.100	.100	.100	.170	.170	1ST STEP .100		
DIFFERENTIAL TRAVEL (MAX)	.045	.045	.045	.045	.090	.090	2ND STEP .020 MIN ADD'L		
OVERTRAVEL (MIN)	.190	.190	.190	.190	.080	.080	.025 EACH STEP		
OPERATING FORCE (MAX)	6 LBS	6 LBS	6 LBS	6 LBS	10 LBS	10 LBS			
OPERATING POINT	1.300 ± .030	1.735 ± .040	ADJUSTABLE FROM	1.480 ± .030	1.480 ± .030	1.480 ± .030	1ST STEP		
FULL OVERTRAVEL FORCE (MAX)	6 LBS	6 LBS	6 LBS	6 LBS	10 LBS	10 LBS	1.310±.030	1.745±.040	1.625 MIN / 1.875 MAX

THIS DRAWING COVERS A PROPRIETARY ITEM AND IS THE PROPERTY OF MICRO SWITCH, A DIVISION OF HONEYWELL. THIS DRAWING IS NOT TO BE COPIED OR USED WITHOUT THE APPROVAL OF MICRO SWITCH.

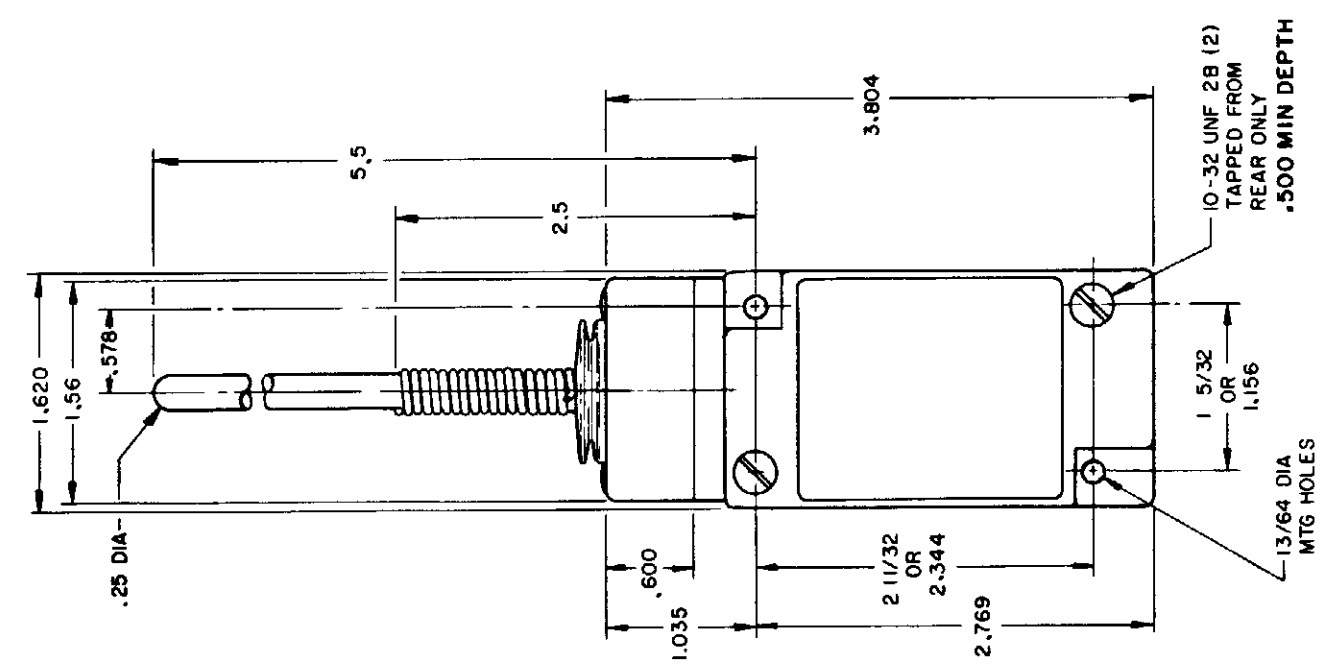
**MICRO SWITCH** a Honeywell Division  
 SWITCH - ENCLOSED  
 LSA-LSW SERIES CHART 1

SCALE NONE  
 DO NOT SCALE PRINT  
 DIMENSIONS ARE IN INCHES  
 TOLERANCES:  
 ONE PLACE (.0)  
 TWO PLACE (.00)  
 THREE PLACE (.000)  
 ANGLES  
 WEIGHT

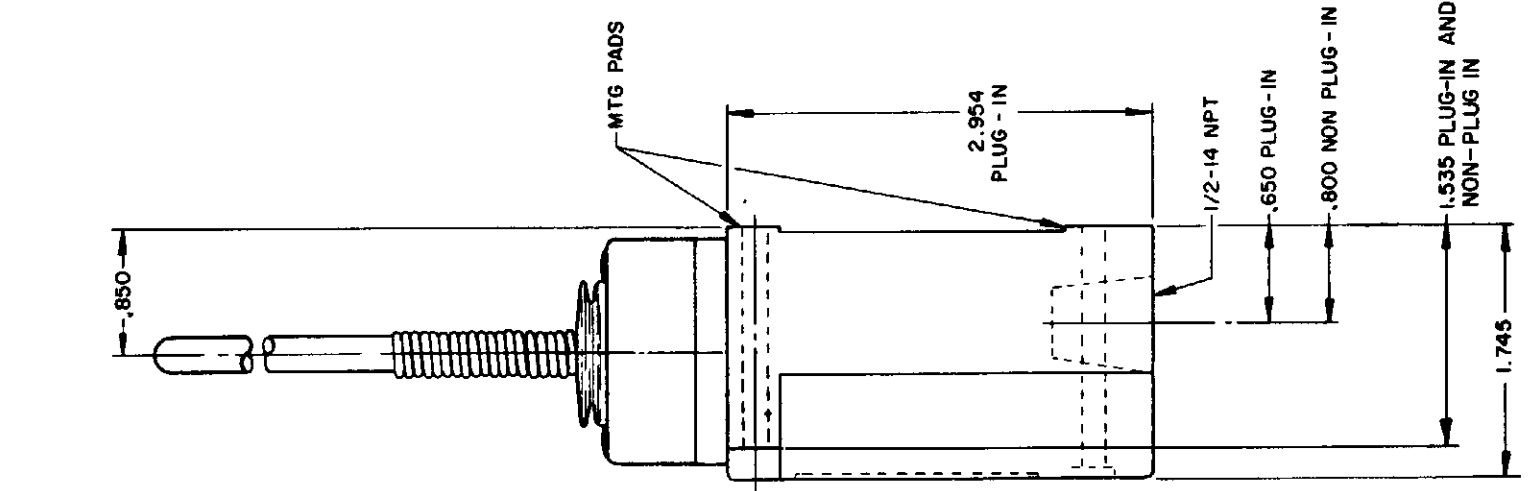
**WOBBLE STICK**

**SINGLE POLE**

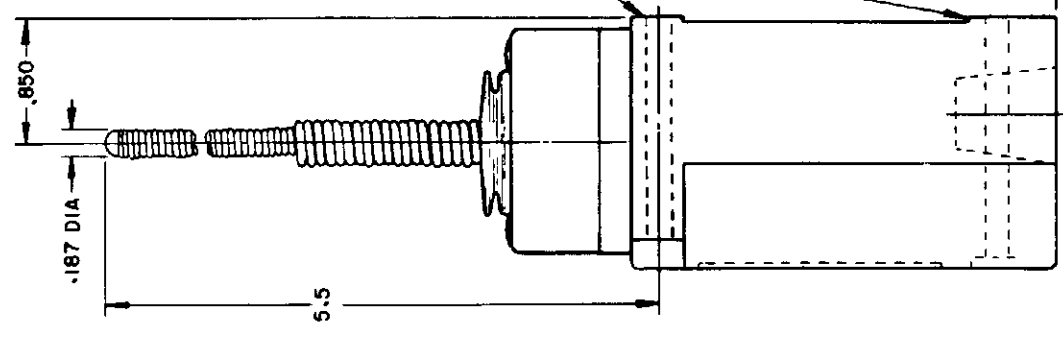
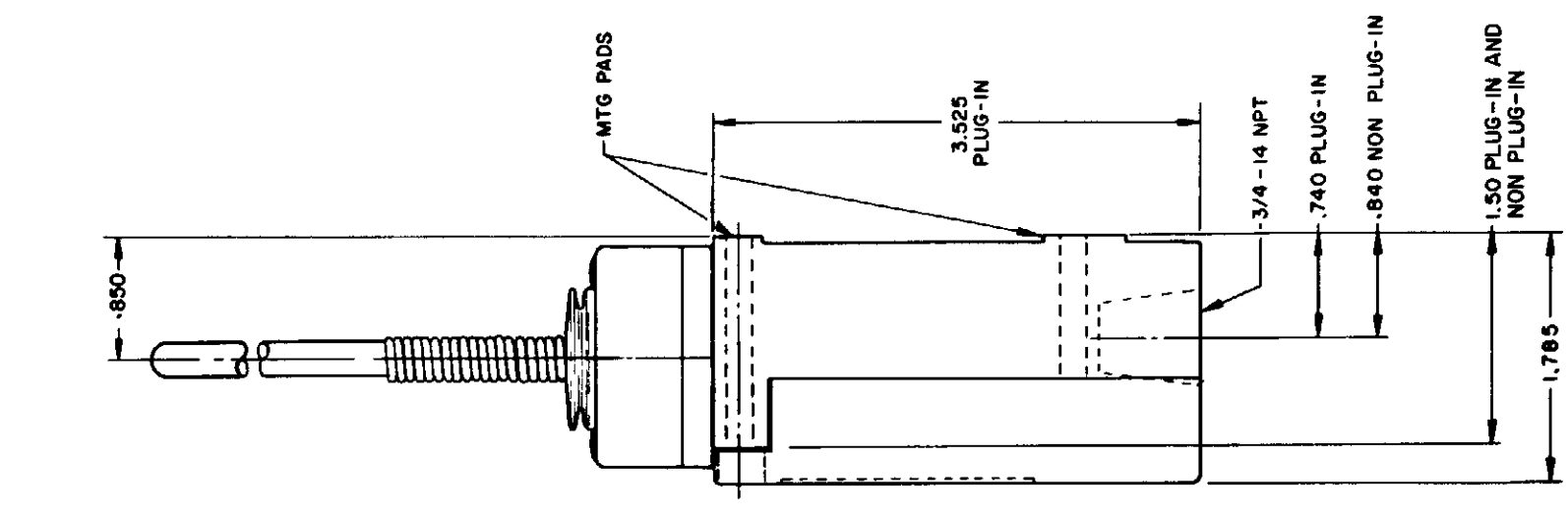
**DOUBLE POLE**



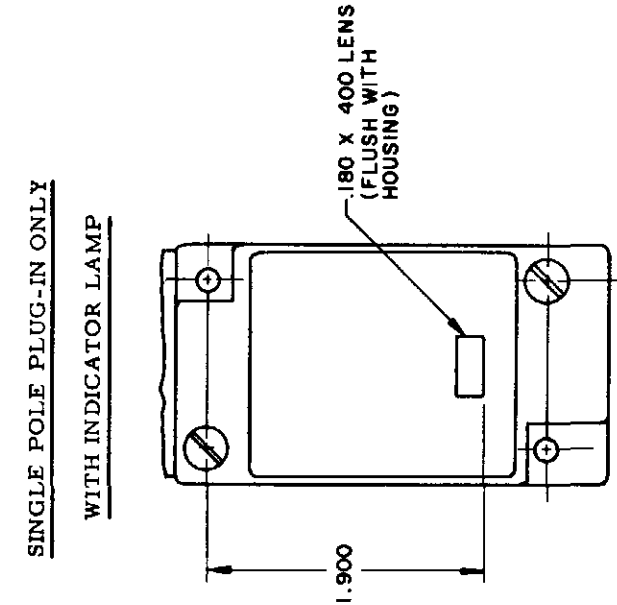
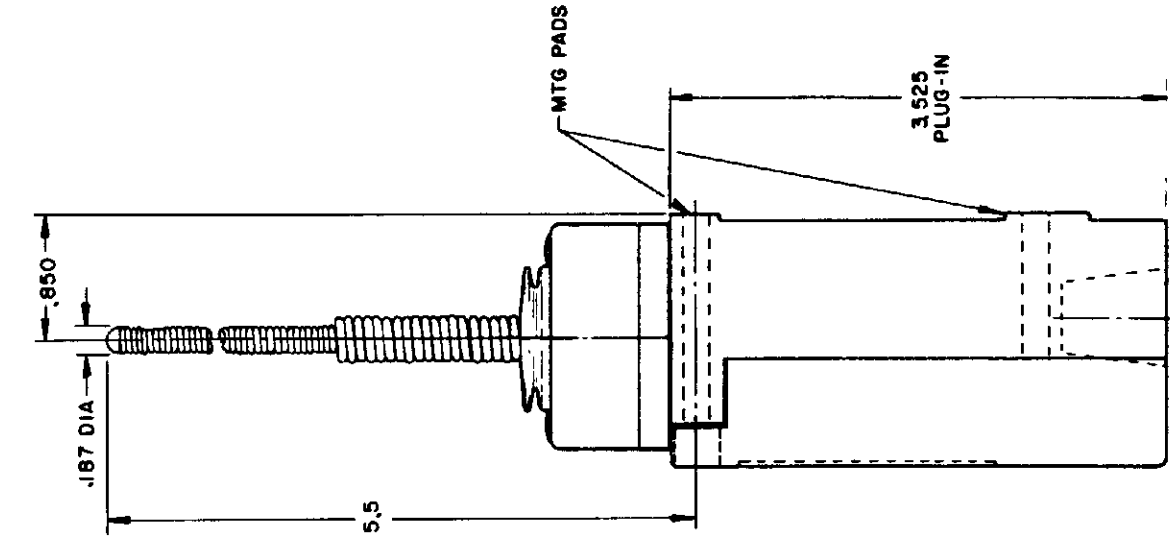
**PLASTIC EXTENSION  
 TYPE 7A ACTUATOR**  
 TYPE LSJ1 AND LSJ3



**PLASTIC EXTENSION  
 TYPE 7A ACTUATOR**  
 TYPE LSJ2 AND LSJ4  
 LSJ6 AND LSJ7 HAVE  
 1/2 - 14 NPT CONDUIT HOLE

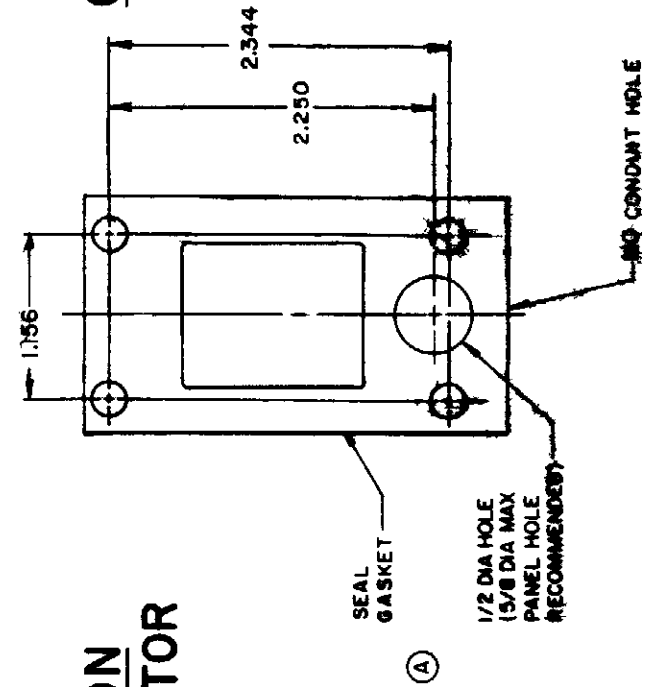


**REPLACEMENT ACTUATOR  
 LSZ-4009**



**REPLACEMENT ACTUATOR  
 LSZ-4011**

MANIFOLD MOUNT (PLUG-IN ONLY)  
 SINGLE POLE AND DOUBLE POLE  
 TYPE LSA THROUGH LSW SERIES



**CABLE EXTENSION  
 TYPE 7N ACTUATOR**

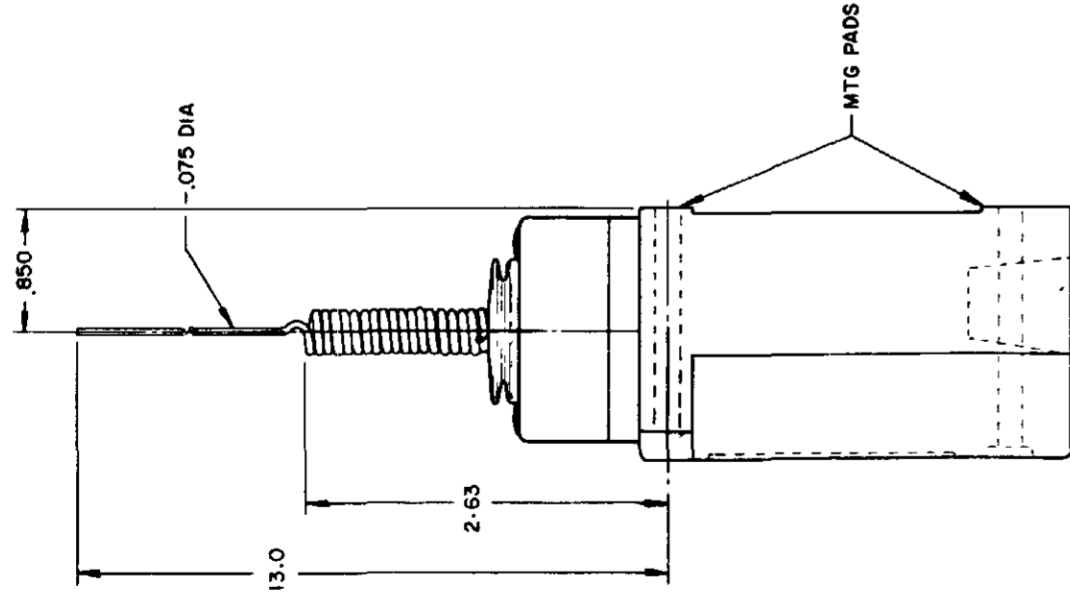
**CABLE EXTENSION  
 TYPE 7N ACTUATOR**

**REPLACEMENT ACTUATOR  
 LSZ-4011**

REV. NO.	DATE	BY	CHKD.	DESCRIPTION
L	00319556			
B	10 JUL 07			
B	201004			
C	10 AUG 00			
C	201748			
D	202198			
E	204871			
F	206581			
G	206763			
H	207179			
J	207474			
K	0006871			

CATALOG LISTING  
**M** LSA-LSW SERIES CHART 1  
 ISSUE 12  
 10 JUL 07  
 PSR  
 CO-78498  
 RELEASE NO  
 REPLACES LSA-LSW SERIES

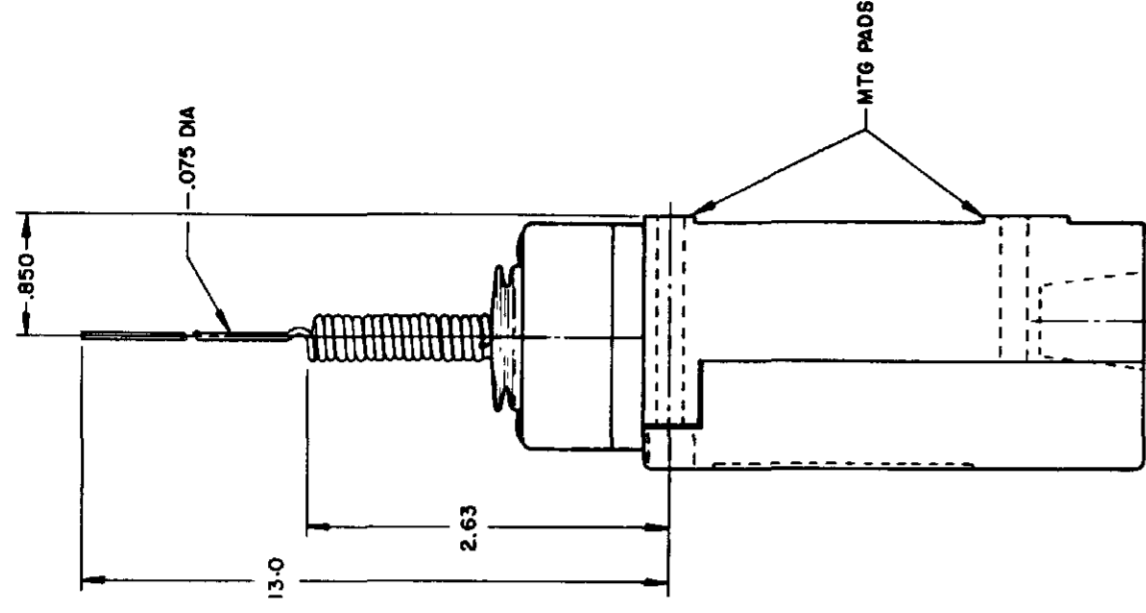
RASTER  
 DRAWN  
 MAM  
 15 JUN 94  
 11 AUG 94



**WIRE EXTENSION TYPE 7M ACTUATOR**

TYPE LSJ1 and LSJ3

REPLACEMENT ACTUATOR - LSZ 4010

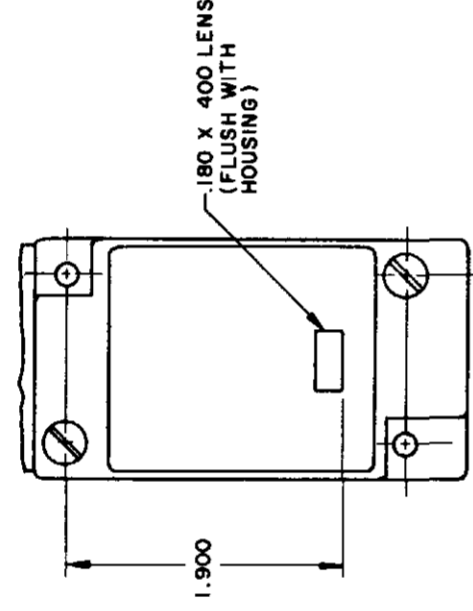


**WIRE EXTENSION TYPE 7M ACTUATOR**

TYPE LSJ2 and LSJ4

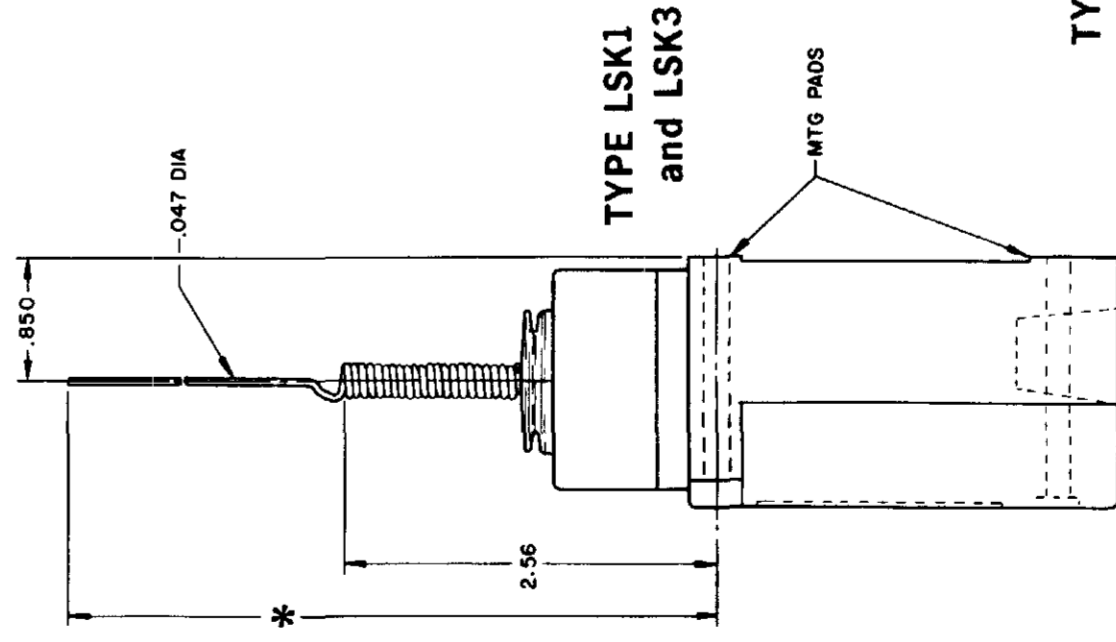
LSJ6 and LSJ7 have 1/2 - 14 NPT CONDUIT HOLE

SINGLE POLE PLUG-IN ONLY  
 WITH INDICATOR LAMP



120 LAMP VOLTAGE TYPE LSJ5  
 240 LAMP VOLTAGE TYPE LSJ8

**SINGLE POLE**

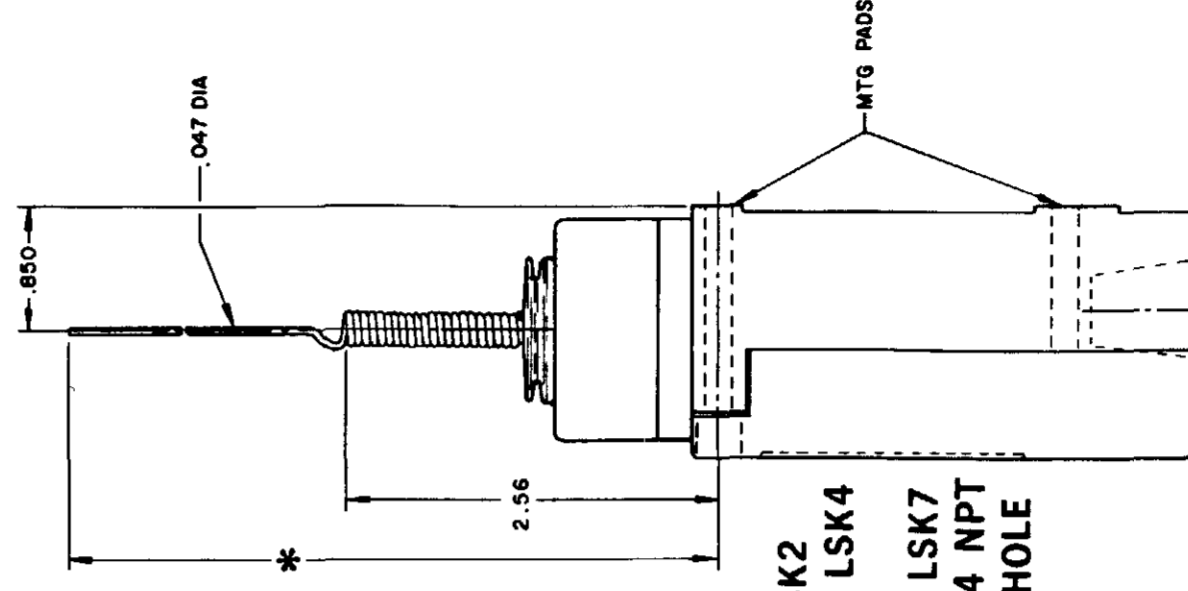


**\* WIRE EXTENSION REPLACEMENT ACTUATOR**

TYPE 8A ACTUATOR 5.5 IN.-LSZ 4012  
 TYPE 8B ACTUATOR 7.5 IN.-LSZ 4013  
 TYPE 8C COIL ACTUATOR 5.5 IN.-LSZ 4014  
 ACTUATOR 9.5 IN. - LSZ 4036

**CAT WHISKER**

**DOUBLE POLE**

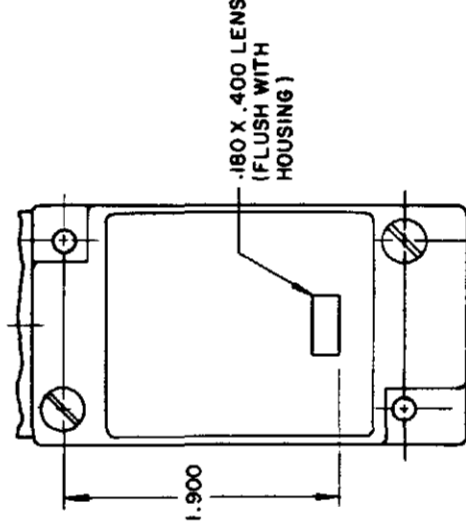


TYPE LSK2 and LSK4  
 LSK6 and LSK7 have 1/2 - 14 NPT CONDUIT HOLE

**WIRE EXTENSION**

\*TYPE 8A ACTUATOR 5.5 IN.  
 TYPE 8B ACTUATOR 7.5 IN.  
 TYPE 8C ACTUATOR 5.5 IN.  
 TYPE 8D ROD ACTUATOR 5.5 IN.

SINGLE POLE PLUG-IN ONLY  
 WITH INDICATOR LAMP



120 LAMP VOLTAGE  
 TYPE LSK5 - CAT WHISKER TYPE LSB5 - TOP ROTARY  
 240 LAMP VOLTAGE  
 TYPE LSK8 - CAT WHISKER TYPE LSB8 - TOP ROTARY

SCALE NONE  
 DO NOT SCALE PRINT

PRETRAVEL (APPROX) IN. RADIUS	CAT. WHISKER		WOBBLE STICK	
	5/16" WIRE	7/16" WIRE	ROD	CABLE
2	2	4.5	1.0	1.5
OPERATING FORCE-OZ (MAX)	7.0	5.0	3.0	10.0
			7.0	5.0

THIS DRAWING COVERS A PROPRIETARY ITEM AND IS THE PROPERTY OF MICRO SWITCH A DIVISION OF HONEYWELL THIS DRAWING IS NOT TO BE COPIED OR USED WITHOUT THE APPROVAL OF MICRO SWITCH

**MICRO SWITCH**  
 a Honeywell Division  
 FED MFG CODE 91929

SWITCH - ENCLOSED

CATALOG LISTING  
**LSA-LSW SERIES**  
 CHART 1

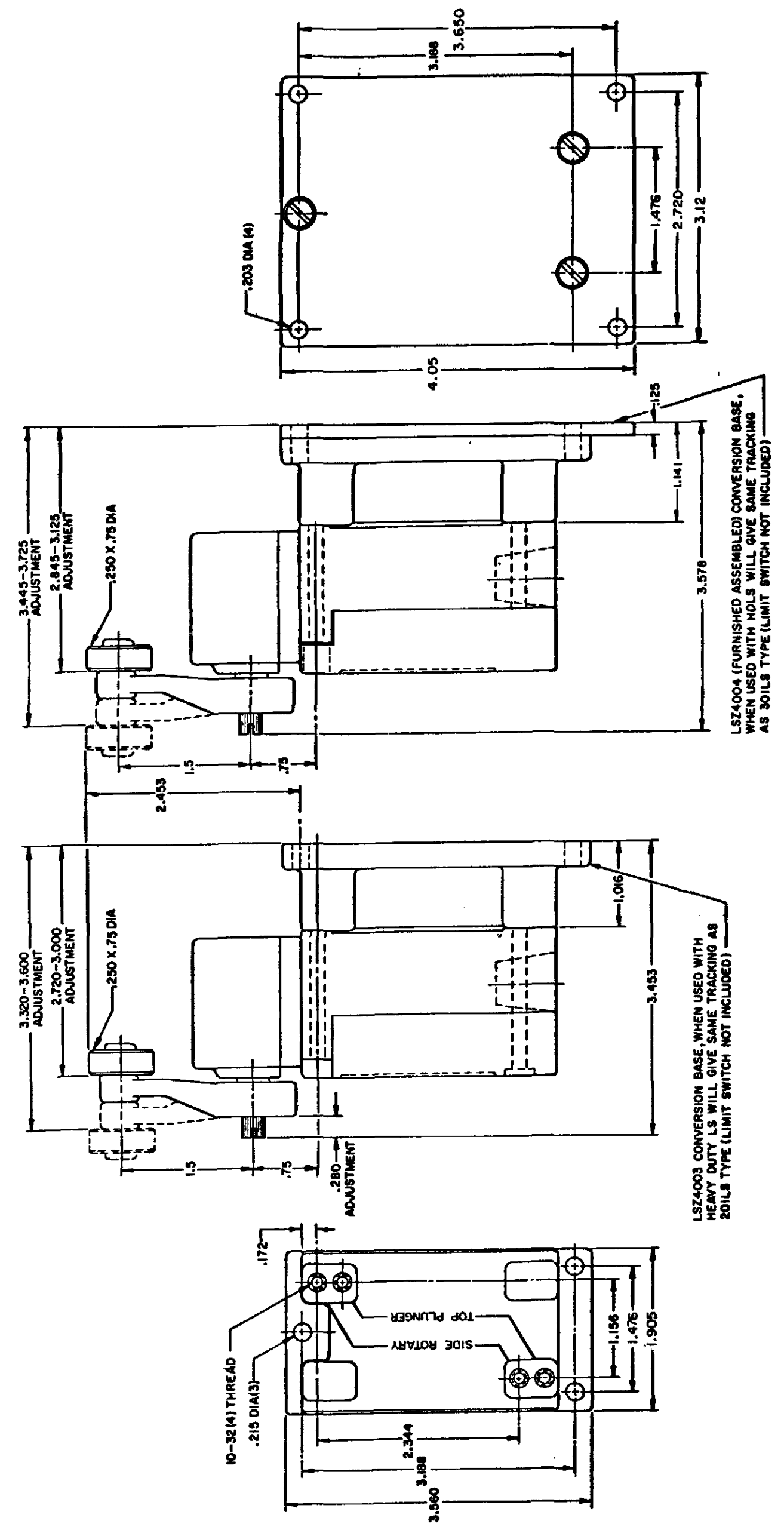


ISSUE	12	PSR	10JUL07	RELEASE NO	CO-78498	REPLACES	LSA-LSW SERIES
CATALOG LISTING	LSA-LSW SERIES CHART 1						
PAGE	9 OF 10						
REVISIONS							
L	0031956	BS	10JUL07				
B	201004	CS	10AUG00				
C	201748	CS	23JAN01				
D	202198	CS	204871				
E	204871	CS	14OCT02				
F	206581	CS	14OCT02				
G	206763	CS	31OCT02				
H	207179	CS	14JAN03				
J	207474	CS	18FEB03				
K	0006871	CS	11AUG04				

# CONVERSION BASES

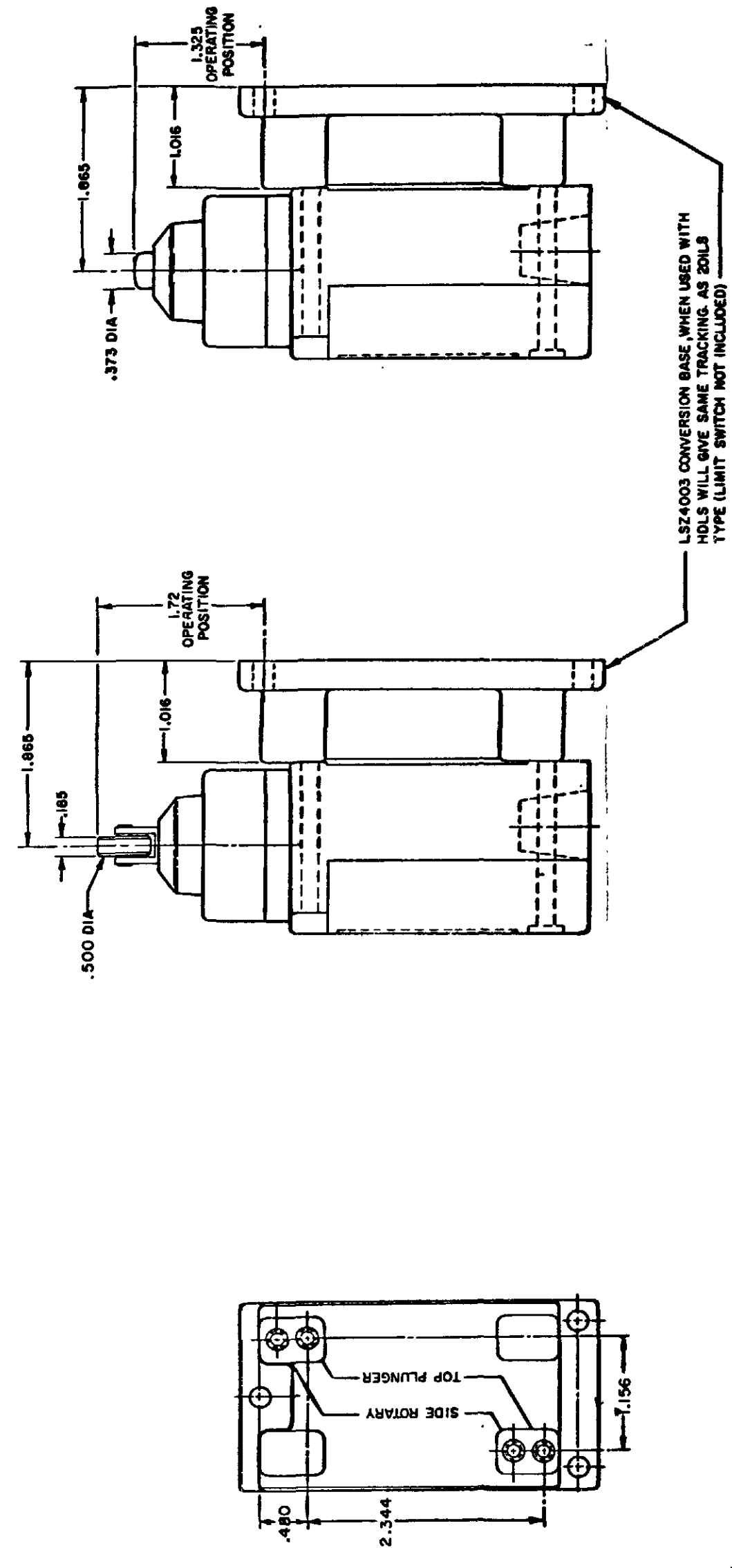
**SINGLE POLE  
(SIDE ROTARY)  
LSZ 4003**

**DOUBLE POLE  
(SIDE ROTARY)  
LSZ 4004**



NOTE  
SEE OTHER PAGES OF LSA-LSW  
(M) DRAWING FOR DIMENSION OF LIMITS

# SINGLE POLE TOP PLUNGER LSZ 4003



NOTE  
SEE OTHER PAGES OF LSA-LSW  
(M) DRAWING FOR DIMENSION OF  
LIMIT SWITCH

THIS DRAWING COVERS A PROPRIETARY ITEM AND IS THE PROPERTY OF MICRO SWITCH, A DIVISION OF HONEYWELL. THIS DRAWING IS NOT TO BE COPIED OR USED WITHOUT THE APPROVAL OF MICRO SWITCH.

**MICRO SWITCH**  
a Honeywell Division

SWITCH - ENCLOSED

CATALOG LISTING  
**LSA-LSW SERIES**  
CHART 1

SCALE FULL  
DO NOT SCALE PRINT

PAGE 9 OF 10

HEAD TYPE	CELLULOSE	DETERGENT	5 STAR	ASTM #1	ASTM #2	ASTM #3	ASTM #4	HOUGHTON SAFE 271	HOUGHTON SAFE 820	HOUGHTON SAFE 1010, 1055	MINERAL OIL	PETR. OIL CRUDE	SILICON GR & OIL	SUNSAFE	BEER	STODDARD SOLV.	CHLORINATED SOLVENTS	CITRIC ACID	D-ESTER SYN. LUBRICANTS	OZONE	HYDRAUL	PROGUARD	PETRO. BASE HYDRAULIC OIL	LARD OIL	SILICATE ESTERS
LSA	4	1	1	1	1	2	1	4	1	1	1	1	1	1	4	1	2	4	4	4	4	1	1	2	
LSB	4	1	1	1	1	2	1	4	1	1	1	1	1	1	4	1	2	4	4	4	4	1	1	2	
LSC	4	2	2	1	2	4	4	2	4	2	2	1	2	1	2	4	1	4	3	4	4	2	2	2	
LSD	4	2	2	1	2	4	4	2	4	2	2	1	2	1	2	4	1	4	3	4	4	2	2	2	
LSE	4	2	2	1	2	4	4	2	4	2	2	1	2	1	2	4	1	4	3	4	4	2	2	2	
LSF	4	2	2	1	2	4	4	2	4	2	2	1	2	1	2	4	1	4	2	4	4	2	2	2	
LSG	4	2	2	1	2	4	4	2	4	2	2	1	2	1	2	4	1	4	3	4	4	2	2	2	
LSH	4	1	1	1	1	2	1	4	1	1	1	1	1	1	4	1	2	4	4	4	4	1	1	2	
LSJ	4	2	2	1	2	4	4	2	4	2	2	1	2	1	2	4	1	4	3	4	4	2	2	2	
LSK	4	2	2	1	2	4	4	2	4	2	2	1	2	1	2	4	1	4	3	4	4	2	2	2	
LSL	4	1	1	1	1	2	1	4	1	1	1	1	1	1	4	1	2	4	4	4	4	1	1	2	
LSM	4	1	1	1	1	2	1	4	1	1	1	1	1	1	4	1	2	4	4	4	4	1	1	2	
LSN	4	1	1	1	1	2	1	4	1	1	1	1	1	1	4	1	2	4	4	4	4	1	1	2	
LSP	4	1	1	1	1	2	1	4	1	1	1	1	1	1	4	1	2	4	4	4	4	1	1	2	
LSR	4	1	1	1	1	2	1	4	1	1	1	1	1	1	4	1	2	4	4	4	4	1	1	2	
LSV	4	2	2	1	2	4	4	2	4	2	2	1	2	1	2	4	1	4	3	4	4	2	2	2	
LSW	4	2	2	1	2	4	4	2	4	2	2	1	2	1	2	4	1	4	2	4	4	2	2	2	
LST	UNSEALED DEVICE, INTENDED TO MEET NEMA 1 ONLY																								
LSS	UNSEALED DEVICE, INTENDED TO MEET NEMA 1 ONLY																								

CODE: 1 SATISFACTORY 2 FAIR 3 DOUBTFUL 4 UNSATISFACTORY

TEMPERATURE LIMITATIONS FOR STANDARD DEVICES		
TYPES	LOW LIMIT	HIGH LIMIT
LSA	+10°F	+250°F
LSB	+30°F	+250°F
LSC	+10°F	+200°F
LSD	+10°F	+200°F
LSE	+10°F	+200°F
LSF	+10°F	+200°F
LSG	+30°F	+200°F
LSH	+30°F	+250°F
LSJ	+10°F	+200°F
LSK	+10°F	+200°F
LSL	+10°F	+250°F
LSM	+30°F	+250°F
LSN	+30°F	+250°F
LSP	+10°F	+250°F
LSR	+30°F	+250°F
LSV	+10°F	+200°F
LSW	+10°F	+200°F
LST	+30 F	+170°F
LSS	+30°F	+170°F

CATALOG LISTING  
**M** LSA-LSW SERIES CHART 1  
 PAGE 10 OF 10  
 ISSUE 12  
 PSR 10JUL07  
 RELEASE NO. CO-78498  
 REPLACES LSA-LSW SERIES  
 REVISIONS  
 L 0031956 BS 10JUL07  
 B 201004 10AUG00  
 C 201748 17NOV00  
 D 202198 23JAN01  
 E 204871  
 F 206581 14OCT02  
 G 206783 31OCT02  
 H 207179 14JAN03  
 J 207474  
 K 0006871 18FEB03  
 KR 11AUG04  
 DRAWN MAM  
 CHECK JAF 11JUL94  
 CHECK AK 11AUG04  
 RASTER

THIS DRAWING COVERS A PROPRIETARY ITEM AND IS THE PROPERTY OF MICRO SWITCH A DIVISION OF HONEYWELL THIS DRAWING IS NOT TO BE COPIED OR USED WITHOUT THE APPROVAL OF MICRO SWITCH

**MICRO SWITCH**  
a Honeywell Division

SWITCH - ENCLOSED

LSA-LSW SERIES  
CHART 1

FED. MFG. CODE 91929

CATALOG LISTING

PAGE 10 OF 10

SCALE

Компания «Океан Электроники» предлагает заключение долгосрочных отношений при поставках импортных электронных компонентов на взаимовыгодных условиях!

Наши преимущества:

- Поставка оригинальных импортных электронных компонентов напрямую с производств Америки, Европы и Азии, а так же с крупнейших складов мира;
- Широкая линейка поставок активных и пассивных импортных электронных компонентов (более 30 млн. наименований);
- Поставка сложных, дефицитных, либо снятых с производства позиций;
- Оперативные сроки поставки под заказ (от 5 рабочих дней);
- Экспресс доставка в любую точку России;
- Помощь Конструкторского Отдела и консультации квалифицированных инженеров;
- Техническая поддержка проекта, помощь в подборе аналогов, поставка прототипов;
- Поставка электронных компонентов под контролем ВП;
- Система менеджмента качества сертифицирована по Международному стандарту ISO 9001;
- При необходимости вся продукция военного и аэрокосмического назначения проходит испытания и сертификацию в лаборатории (по согласованию с заказчиком);
- Поставка специализированных компонентов военного и аэрокосмического уровня качества (Xilinx, Altera, Analog Devices, Intersil, Interpoint, Microsemi, Actel, Aeroflex, Peregrine, VPT, Syfer, Eurofarad, Texas Instruments, MS Kennedy, Miteq, Cobham, E2V, MA-COM, Hittite, Mini-Circuits, General Dynamics и др.);

Компания «Океан Электроники» является официальным дистрибьютором и эксклюзивным представителем в России одного из крупнейших производителей разъемов военного и аэрокосмического назначения «JONHON», а так же официальным дистрибьютором и эксклюзивным представителем в России производителя высокотехнологичных и надежных решений для передачи СВЧ сигналов «FORSTAR».



## JONHON

«JONHON» (основан в 1970 г.)

Разъемы специального, военного и аэрокосмического назначения:

(Применяются в военной, авиационной, аэрокосмической, морской, железнодорожной, горно- и нефтедобывающей отраслях промышленности)

«FORSTAR» (основан в 1998 г.)

ВЧ соединители, коаксиальные кабели, кабельные сборки и микроволновые компоненты:

(Применяются в телекоммуникациях гражданского и специального назначения, в средствах связи, РЛС, а так же военной, авиационной и аэрокосмической отраслях промышленности).



Телефон: 8 (812) 309-75-97 (многоканальный)

Факс: 8 (812) 320-03-32

Электронная почта: [ocean@oceanchips.ru](mailto:ocean@oceanchips.ru)

Web: <http://oceanchips.ru/>

Адрес: 198099, г. Санкт-Петербург, ул. Калинина, д. 2, корп. 4, лит. А