

IGLOO nano Low Power Flash FPGAs with Flash*Freeze Technology

Features and Benefits

Low Power

- nanoPower Consumption—Industry's Lowest Power
- 1.2 V to 1.5 V Core Voltage Support for Low Power
- Supports Single-Voltage System Operation
- Low Power Active FPGA Operation
- Flash*Freeze Technology Enables Ultra-Low Power Consumption while Maintaining FPGA Content
- Easy Entry to / Exit from Ultra-Low Power Flash*Freeze Mode

Small Footprint Packages

- As Small as 3x3 mm in Size

Wide Range of Features

- 10,000 to 250,000 System Gates
- Up to 36 kbits of True Dual-Port SRAM
- Up to 71 User I/Os

Reprogrammable Flash Technology

- 130-nm, 7-Layer Metal, Flash-Based CMOS Process
- Instant On Level 0 Support
- Single-Chip Solution
- Retains Programmed Design When Powered Off
- 250 MHz (1.5 V systems) and 160 MHz (1.2 V systems) System Performance

In-System Programming (ISP) and Security

- ISP Using On-Chip 128-Bit Advanced Encryption Standard (AES) Decryption via JTAG (IEEE 1532-compliant)
- FlashLock[®] Designed to Secure FPGA Contents
- 1.2 V Programming

High-Performance Routing Hierarchy

- Segmented, Hierarchical Routing and Clock Structure

Advanced I/Os

- 1.2 V, 1.5 V, 1.8 V, 2.5 V, and 3.3 V Mixed-Voltage Operation
- Bank-Selectable I/O Voltages—up to 4 Banks per Chip
- Single-Ended I/O Standards: LVTTTL, LVCMOS 3.3 V / 2.5 V / 1.8 V / 1.5 V / 1.2 V
- Wide Range Power Supply Voltage Support per JESD8-B, Allowing I/Os to Operate from 2.7 V to 3.6 V
- Wide Range Power Supply Voltage Support per JESD8-12, Allowing I/Os to Operate from 1.14 V to 1.575 V
- I/O Registers on Input, Output, and Enable Paths
- Selectable Schmitt Trigger Inputs
- Hot-Swappable and Cold-Sparing I/Os
- Programmable Output Slew Rate and Drive Strength
- Weak Pull-Up/Down
- IEEE 1149.1 (JTAG) Boundary Scan Test
- Pin-Compatible Packages across the IGLOO[®] Family

Clock Conditioning Circuit (CCC) and PLL[†]

- Up to Six CCC Blocks, One with an Integrated PLL
- Configurable Phase Shift, Multiply/Divide, Delay Capabilities, and External Feedback
- Wide Input Frequency Range (1.5 MHz up to 250 MHz)

Embedded Memory

- 1 kbit of FlashROM User Nonvolatile Memory
- SRAMs and FIFOs with Variable-Aspect-Ratio 4,608-Bit RAM Blocks (×1, ×2, ×4, ×9, and ×18 organizations)[†]
- True Dual-Port SRAM (except × 18 organization)[†]

Enhanced Commercial Temperature Range

- -20°C to +70°C

| IGLOO nano Devices | AGLN010 | AGLN015 ¹ | AGLN020 | | AGLN060 | AGLN125 | AGLN250 |
|---------------------------------------|---------|----------------------|---------|-----------------------|-----------------------|-----------------------|-----------------------|
| IGLOO nano-Z Devices ¹ | | | | AGLN030Z ¹ | AGLN060Z ¹ | AGLN125Z ¹ | AGLN250Z ¹ |
| System Gates | 10,000 | 15,000 | 20,000 | 30,000 | 60,000 | 125,000 | 250,000 |
| Typical Equivalent Macrocells | 86 | 128 | 172 | 256 | 512 | 1,024 | 2,048 |
| VersaTiles (D-flip-flops) | 260 | 384 | 520 | 768 | 1,536 | 3,072 | 6,144 |
| Flash*Freeze Mode (typical, μW) | 2 | 4 | 4 | 5 | 10 | 16 | 24 |
| RAM Kbits (1,024 bits) ² | – | – | – | – | 18 | 36 | 36 |
| 4,608-Bit Blocks ² | – | – | – | – | 4 | 8 | 8 |
| FlashROM Kbits (1,024 bits) | 1 | 1 | 1 | 1 | 1 | 1 | 1 |
| Secure (AES) ISP ² | – | – | – | – | Yes | Yes | Yes |
| Integrated PLL in CCCs ^{2,3} | – | – | – | – | 1 | 1 | 1 |
| VersaNet Globals | 4 | 4 | 4 | 6 | 18 | 18 | 18 |
| I/O Banks | 2 | 3 | 3 | 2 | 2 | 2 | 4 |
| Maximum User I/Os (packaged device) | 34 | 49 | 52 | 77 | 71 | 71 | 68 |
| Maximum User I/Os (Known Good Die) | 34 | – | 52 | 83 | 71 | 71 | 68 |
| Package Pins | | | | | | | |
| UC/CS | UC36 | | UC81, | UC81, CS81 | CS81 | CS81 | CS81 |
| QFN | QN48 | QN68 | CS81 | QN48, QN68 | | | |
| VQFP | | | QN68 | VQ100 | VQ100 | VQ100 | VQ100 |

Notes:

1. Not recommended for new designs.
2. AGLN030 and smaller devices do not support this feature.
3. AGLN060, AGLN125, and AGLN250 in the CS81 package do not support PLLs.
4. For higher densities and support of additional features, refer to the IGLOO and IGLOOe datasheets.

† AGLN030 and smaller devices do not support this feature.

I/Os Per Package

| IGLOO nano Devices | AGLN010 | AGLN015 ¹ | AGLN020 | | AGLN060 | AGLN125 | AGLN250 |
|-----------------------------------|---------|----------------------|---------|-----------------------|-----------------------|-----------------------|-----------------------|
| IGLOO nano-Z Devices ¹ | | | | AGLN030Z ¹ | AGLN060Z ¹ | AGLN125Z ¹ | AGLN250Z ¹ |
| Known Good Die | 34 | – | 52 | 83 | 71 | 71 | 68 |
| UC36 | 23 | – | – | – | – | – | – |
| QN48 | 34 | – | – | 34 | – | – | – |
| QN68 | – | 49 | 49 | 49 | – | – | – |
| UC81 | – | – | 52 | 66 | – | – | – |
| CS81 | – | – | 52 | 66 | 60 | 60 | 60 |
| VQ100 | – | – | – | 77 | 71 | 71 | 68 |

Notes:

1. Not recommended for new designs.
2. When considering migrating your design to a lower- or higher-density device, refer to the [IGLOO datasheet](#) and [IGLOO FPGA Fabric User's Guide](#) to ensure compliance with design and board migration requirements.
3. When the Flash*Freeze pin is used to directly enable Flash*Freeze mode and not used as a regular I/O, the number of single-ended user I/Os available is reduced by one.
4. "G" indicates RoHS-compliant packages. Refer to "[IGLOO nano Ordering Information](#)" on page III for the location of the "G" in the part number. For nano devices, the VQ100 package is offered in both leaded and RoHS-compliant versions. All other packages are RoHS-compliant only.

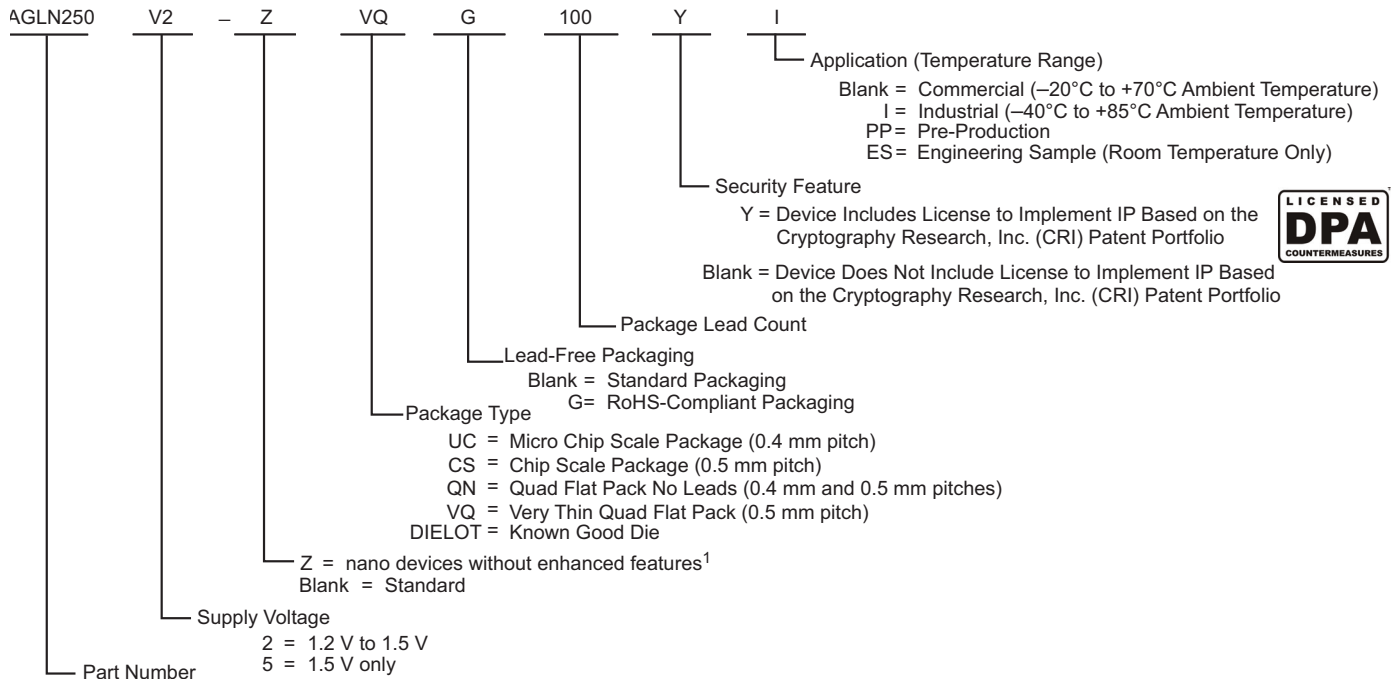
Table 1 • IGLOO nano FPGAs Package Sizes Dimensions

| Packages | UC36 | UC81 | CS81 | QN48 | QN68 | VQ100 |
|---------------------------------|-------|-------|-------|-------|-------|---------|
| Length × Width (mm\mm) | 3 x 3 | 4 x 4 | 5 x 5 | 6 x 6 | 8 x 8 | 14 x 14 |
| Nominal Area (mm ²) | 9 | 16 | 36 | 36 | 64 | 196 |
| Pitch (mm) | 0.4 | 0.4 | 0.5 | 0.4 | 0.4 | 0.5 |
| Height (mm) | 0.80 | 0.80 | 0.80 | 0.90 | 0.90 | 1.20 |

IGLOO nano Device Status

| IGLOO nano Devices | Status | IGLOO nano-Z Devices | Status |
|--------------------|----------------------------------|----------------------|----------------------------------|
| AGLN010 | Production | | |
| AGLN015 | Not recommended for new designs. | | |
| AGLN020 | Production | | |
| | | AGLN030Z | Not recommended for new designs. |
| AGLN060 | Production | AGLN060Z | Not recommended for new designs. |
| AGLN125 | Production | AGLN125Z | Not recommended for new designs. |
| AGLN250 | Production | AGLN250Z | Not recommended for new designs. |

IGLOO nano Ordering Information



IGLOO nano Devices

AGLN010 = 10,000 System Gates
 AGLN015 = 15,000 System Gates (AGLN015 is not recommended for new designs)
 AGLN020 = 20,000 System Gates
 AGLN030 = 30,000 System Gates
 AGLN060 = 60,000 System Gates
 AGLN125 = 125,000 System Gates
 AGLN250 = 250,000 System Gates

Notes:

- Z-feature grade devices AGLN060Z, AGLN125Z, and AGLN250Z do not support the enhanced nano features of Schmitt Trigger input, bus hold (hold previous I/O state in Flash*Freeze mode), cold-sparing, hot-swap I/O capability and 1.2 V programming. The AGLN030 Z feature grade does not support Schmitt trigger input, bus hold and 1.2 V programming. For the VQ100, CS81, UC81, QN68, and QN48 packages, the Z feature grade and the N part number are not marked on the device. Z feature grade devices are not recommended for new designs.
- AGLN030 is available in the Z feature grade only.
- Marking Information: IGLOO nano V2 devices do not have a V2 marking, but IGLOO nano V5 devices are marked with a V5 designator.

Devices Not Recommended For New Designs

AGLN015, AGLN030Z, AGLN060Z, AGLN125Z, and AGLN250Z are not recommended for new designs.

Device Marking

Microsemi normally topside marks the full ordering part number on each device. There are some exceptions to this, such as some of the Z feature grade nano devices, the V2 designator for IGLOO devices, and packages where space is physically limited. Packages that have limited characters available are UC36, UC81, CS81, QN48, QN68, and QFN132. On these specific packages, a subset of the device marking will be used that includes the required legal information and as much of the part number as allowed by character limitation of the device. In this case, devices will have a truncated device marking and may exclude the applications markings, such as the I designator for Industrial Devices or the ES designator for Engineering Samples.

Figure 1 shows an example of device marking based on the AGL030V5-UCG81. The actual mark will vary by the device/package combination ordered.

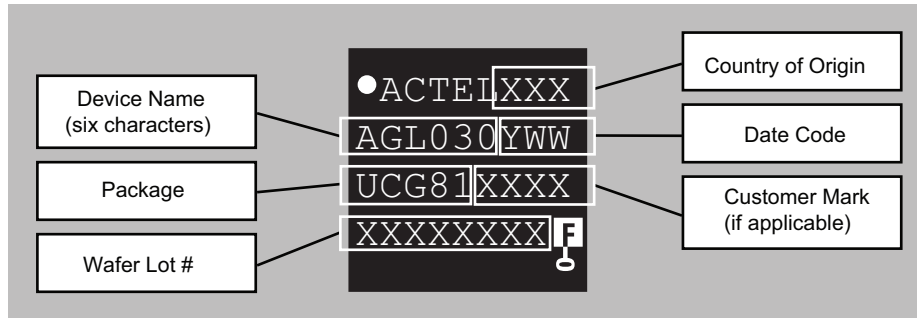


Figure 1 • Example of Device Marking for Small Form Factor Packages

IGLOO nano Products Available in the Z Feature Grade

| IGLOO nano-Z Devices | AGLN030Z* | AGLN060Z* | AGLN125Z* | AGLN250Z* |
|----------------------|-----------|-----------|-----------|-----------|
| | QN48 | – | – | – |
| | QN68 | – | – | – |
| | UC81 | – | – | – |
| | CS81 | CS81 | CS81 | CS81 |
| Packages | VQ100 | VQ100 | VQ100 | VQ100 |

Note: *Not recommended for new designs.

Temperature Grade Offerings

| Package | AGLN010 | AGLN015* | AGLN020 | | AGLN060 | AGLN125 | AGLN250 |
|---------|---------|----------|---------|-----------|-----------|-----------|-----------|
| | | | | AGLN030Z* | AGLN060Z* | AGLN125Z* | AGLN250Z* |
| UC36 | C, I | – | – | – | – | – | – |
| QN48 | C, I | – | – | C, I | – | – | – |
| QN68 | – | C, I | C, I | C, I | – | – | – |
| UC81 | – | – | C, I | C, I | – | – | – |
| CS81 | – | – | C, I | C, I | C, I | C, I | C, I |
| VQ100 | – | – | – | C, I | C, I | C, I | C, I |

Note: * Not recommended for new designs.

C = Commercial temperature range: 0°C to 70°C ambient temperature

I = Industrial temperature range: –40°C to 85°C ambient temperature

Contact your local Microsemi representative for device availability: <http://www.microsemi.com/soc/contact/default.aspx>.

Table of Contents

IGLOO nano Device Overview

| | |
|---------------------------|-----|
| General Description | 1-1 |
|---------------------------|-----|

IGLOO nano DC and Switching Characteristics

| | |
|--|------|
| General Specifications | 2-1 |
| Calculating Power Dissipation | 2-7 |
| User I/O Characteristics | 2-15 |
| VersaTile Characteristics | 2-57 |
| Global Resource Characteristics | 2-63 |
| Clock Conditioning Circuits | 2-70 |
| Embedded SRAM and FIFO Characteristics | 2-73 |
| Embedded FlashROM Characteristics | 2-87 |
| JTAG 1532 Characteristics | 2-88 |

Pin Descriptions

| | |
|-----------------------------|-----|
| Supply Pins | 3-1 |
| User Pins | 3-2 |
| JTAG Pins | 3-3 |
| Special Function Pins | 3-4 |
| Packaging | 3-4 |
| Related Documents | 3-5 |

Package Pin Assignments

| | |
|-------------|------|
| UC36 | 4-1 |
| UC81 | 4-3 |
| CS81 | 4-6 |
| QN48 | 4-15 |
| QN68 | 4-18 |
| VQ100 | 4-22 |

Datasheet Information

| | |
|---|-----|
| List of Changes | 5-1 |
| Datasheet Categories | 5-8 |
| Safety Critical, Life Support, and High-Reliability Applications Policy | 5-8 |

1 – IGLOO nano Device Overview

General Description

The IGLOO family of flash FPGAs, based on a 130-nm flash process, offers the lowest power FPGA, a single-chip solution, small footprint packages, reprogrammability, and an abundance of advanced features.

The Flash*Freeze technology used in IGLOO nano devices enables entering and exiting an ultra-low power mode that consumes nanoPower while retaining SRAM and register data. Flash*Freeze technology simplifies power management through I/O and clock management with rapid recovery to operation mode.

The Low Power Active capability (static idle) allows for ultra-low power consumption while the IGLOO nano device is completely functional in the system. This allows the IGLOO nano device to control system power management based on external inputs (e.g., scanning for keyboard stimulus) while consuming minimal power.

Nonvolatile flash technology gives IGLOO nano devices the advantage of being a secure, low power, single-chip solution that is Instant On. The IGLOO nano device is reprogrammable and offers time-to-market benefits at an ASIC-level unit cost.

These features enable designers to create high-density systems using existing ASIC or FPGA design flows and tools.

IGLOO nano devices offer 1 kbit of on-chip, reprogrammable, nonvolatile FlashROM storage as well as clock conditioning circuitry based on an integrated phase-locked loop (PLL). The AGLN030 and smaller devices have no PLL or RAM support. IGLOO nano devices have up to 250 k system gates, supported with up to 36 kbits of true dual-port SRAM and up to 71 user I/Os.

IGLOO nano devices increase the breadth of the IGLOO product line by adding new features and packages for greater customer value in high volume consumer, portable, and battery-backed markets. Features such as smaller footprint packages designed with two-layer PCBs in mind, power consumption measured in nanoPower, Schmitt trigger, and bus hold (hold previous I/O state in Flash*Freeze mode) functionality make these devices ideal for deployment in applications that require high levels of flexibility and low cost.

Flash*Freeze Technology

The IGLOO nano device offers unique Flash*Freeze technology, allowing the device to enter and exit ultra-low power Flash*Freeze mode. IGLOO nano devices do not need additional components to turn off I/Os or clocks while retaining the design information, SRAM content, and registers. Flash*Freeze technology is combined with in-system programmability, which enables users to quickly and easily upgrade and update their designs in the final stages of manufacturing or in the field. The ability of IGLOO nano V2 devices to support a wide range of core voltage (1.2 V to 1.5 V) allows further reduction in power consumption, thus achieving the lowest total system power.

During Flash*Freeze mode, each I/O can be set to the following configurations: hold previous state, tristate, HIGH, or LOW.

The availability of low power modes, combined with reprogrammability, a single-chip and single-voltage solution, and small-footprint packages make IGLOO nano devices the best fit for portable electronics.

Flash Advantages

Low Power

Flash-based IGLOO nano devices exhibit power characteristics similar to those of an ASIC, making them an ideal choice for power-sensitive applications. IGLOO nano devices have only a very limited power-on current surge and no high-current transition period, both of which occur on many FPGAs.

IGLOO nano devices also have low dynamic power consumption to further maximize power savings; power is reduced even further by the use of a 1.2 V core voltage.

Low dynamic power consumption, combined with low static power consumption and Flash*Freeze technology, gives the IGLOO nano device the lowest total system power offered by any FPGA.

Security

Nonvolatile, flash-based IGLOO nano devices do not require a boot PROM, so there is no vulnerable external bitstream that can be easily copied. IGLOO nano devices incorporate FlashLock, which provides a unique combination of reprogrammability and design security without external overhead, advantages that only an FPGA with nonvolatile flash programming can offer.

IGLOO nano devices utilize a 128-bit flash-based lock and a separate AES key to provide the highest level of security in the FPGA industry for programmed intellectual property and configuration data. In addition, all FlashROM data in IGLOO nano devices can be encrypted prior to loading, using the industry-leading AES-128 (FIPS192) bit block cipher encryption standard. AES was adopted by the National Institute of Standards and Technology (NIST) in 2000 and replaces the 1977 DES standard. IGLOO nano devices have a built-in AES decryption engine and a flash-based AES key that make them the most comprehensive programmable logic device security solution available today. IGLOO nano devices with AES-based security provide a high level of protection for remote field updates over public networks such as the Internet, and are designed to ensure that valuable IP remains out of the hands of system overbuilders, system cloners, and IP thieves.

Security, built into the FPGA fabric, is an inherent component of IGLOO nano devices. The flash cells are located beneath seven metal layers, and many device design and layout techniques have been used to make invasive attacks extremely difficult. IGLOO nano devices, with FlashLock and AES security, are unique in being highly resistant to both invasive and noninvasive attacks. Your valuable IP is protected with industry-standard security, making remote ISP possible. An IGLOO nano device provides the best available security for programmable logic designs.

Single Chip

Flash-based FPGAs store their configuration information in on-chip flash cells. Once programmed, the configuration data is an inherent part of the FPGA structure, and no external configuration data needs to be loaded at system power-up (unlike SRAM-based FPGAs). Therefore, flash-based IGLOO nano FPGAs do not require system configuration components such as EEPROMs or microcontrollers to load device configuration data. This reduces bill-of-materials costs and PCB area, and increases security and system reliability.

Instant On

Microsemi flash-based IGLOO nano devices support Level 0 of the Instant On classification standard. This feature helps in system component initialization, execution of critical tasks before the processor wakes up, setup and configuration of memory blocks, clock generation, and bus activity management. The Instant On feature of flash-based IGLOO nano devices greatly simplifies total system design and reduces total system cost, often eliminating the need for CPLDs and clock generation PLLs. In addition, glitches and brownouts in system power will not corrupt the IGLOO nano device's flash configuration, and unlike SRAM-based FPGAs, the device will not have to be reloaded when system power is restored. This enables the reduction or complete removal of the configuration PROM, expensive voltage monitor, brownout detection, and clock generator devices from the PCB design. Flash-based IGLOO nano devices simplify total system design and reduce cost and design risk while increasing system reliability and improving system initialization time.

IGLOO nano flash FPGAs enable the user to quickly enter and exit Flash*Freeze mode. This is done almost instantly (within 1 μ s) and the device retains configuration and data in registers and RAM. Unlike SRAM-based FPGAs, the device does not need to reload configuration and design state from external memory components; instead it retains all necessary information to resume operation immediately.

Reduced Cost of Ownership

Advantages to the designer extend beyond low unit cost, performance, and ease of use. Unlike SRAM-based FPGAs, flash-based IGLOO nano devices allow all functionality to be Instant On; no external boot PROM is required. On-board security mechanisms prevent access to all the programming information and enable secure remote updates of the FPGA logic.

Designers can perform secure remote in-system reprogramming to support future design iterations and field upgrades with confidence that valuable intellectual property cannot be compromised or copied. Secure ISP can be performed using the industry-standard AES algorithm. The IGLOO nano device architecture mitigates the need for ASIC migration at higher user volumes. This makes IGLOO nano devices cost-effective ASIC replacement solutions, especially for applications in the consumer, networking/communications, computing, and avionics markets.

With a variety of devices under \$1, IGLOO nano FPGAs enable cost-effective implementation of programmable logic and quick time to market.

Firm-Error Immunity

Firm errors occur most commonly when high-energy neutrons, generated in the upper atmosphere, strike a configuration cell of an SRAM FPGA. The energy of the collision can change the state of the configuration cell and thus change the logic, routing, or I/O behavior in an unpredictable way. These errors are impossible to prevent in SRAM FPGAs. The consequence of this type of error can be a complete system failure. Firm errors do not exist in the configuration memory of IGLOO nano flash-based FPGAs. Once it is programmed, the flash cell configuration element of IGLOO nano FPGAs cannot be altered by high-energy neutrons and is therefore immune to them. Recoverable (or soft) errors occur in the user data SRAM of all FPGA devices. These can easily be mitigated by using error detection and correction (EDAC) circuitry built into the FPGA fabric.

Advanced Flash Technology

The IGLOO nano device offers many benefits, including nonvolatility and reprogrammability, through an advanced flash-based, 130-nm LVCMOS process with seven layers of metal. Standard CMOS design techniques are used to implement logic and control functions. The combination of fine granularity, enhanced flexible routing resources, and abundant flash switches allows for very high logic utilization without compromising device routability or performance. Logic functions within the device are interconnected through a four-level routing hierarchy.

IGLOO nano FPGAs utilize design and process techniques to minimize power consumption in all modes of operation.

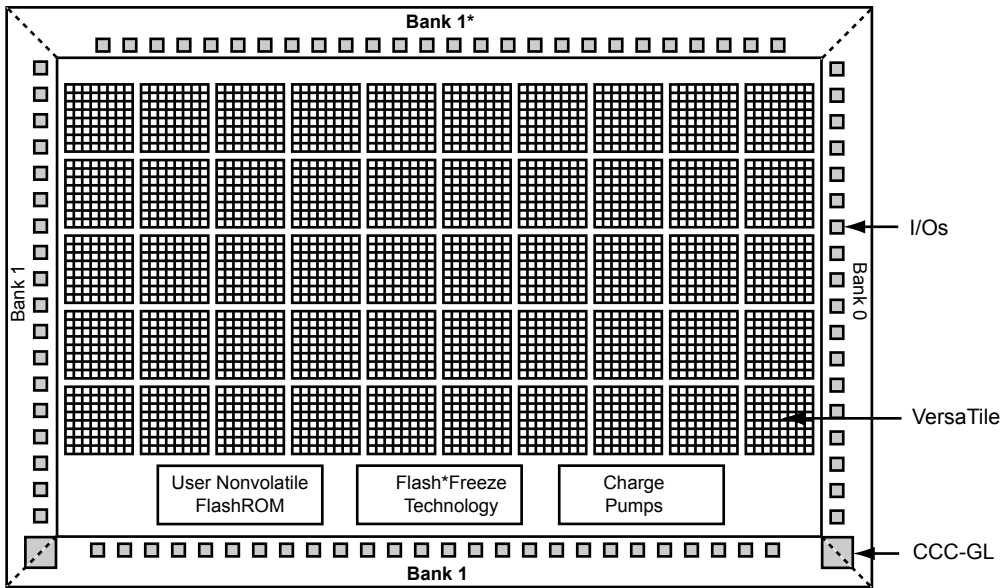
Advanced Architecture

The proprietary IGLOO nano architecture provides granularity comparable to standard-cell ASICs. The IGLOO nano device consists of five distinct and programmable architectural features ([Figure 1-3 on page 1-5](#) to [Figure 1-4 on page 1-5](#)):

- Flash*Freeze technology
- FPGA VersaTiles
- Dedicated FlashROM
- Dedicated SRAM/FIFO memory[†]
- Extensive CCCs and PLLs[†]
- Advanced I/O structure

The FPGA core consists of a sea of VersaTiles. Each VersaTile can be configured as a three-input logic function, a D-flip-flop (with or without enable), or a latch by programming the appropriate flash switch interconnections. The versatility of the IGLOO nano core tile as either a three-input lookup table (LUT) equivalent or a D-flip-flop/latch with enable allows for efficient use of the FPGA fabric. The VersaTile capability is unique to the ProASIC[®] family of third-generation-architecture flash FPGAs. VersaTiles are connected with any of the four levels of routing hierarchy. Flash switches are distributed throughout the device to provide nonvolatile, reconfigurable interconnect programming. Maximum core utilization is possible for virtually any design.

[†] The AGLN030 and smaller devices do not support PLL or SRAM.



Note: *Bank 0 for the AGLN030 device

Figure 1-1 • IGLOO Device Architecture Overview with Two I/O Banks and No RAM (AGLN010 and AGLN030)

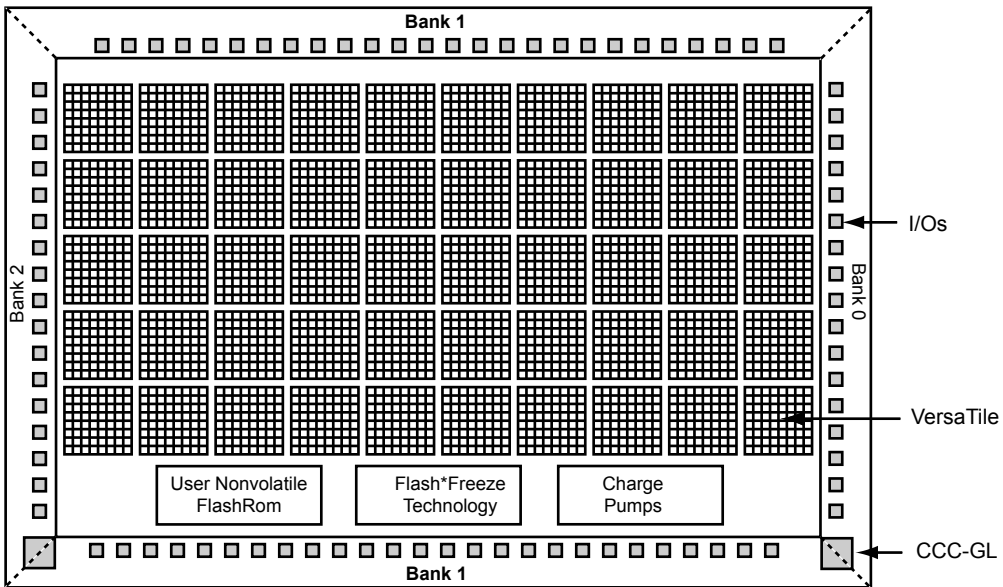


Figure 1-2 • IGLOO Device Architecture Overview with Three I/O Banks and No RAM (AGLN015 and AGLN020)

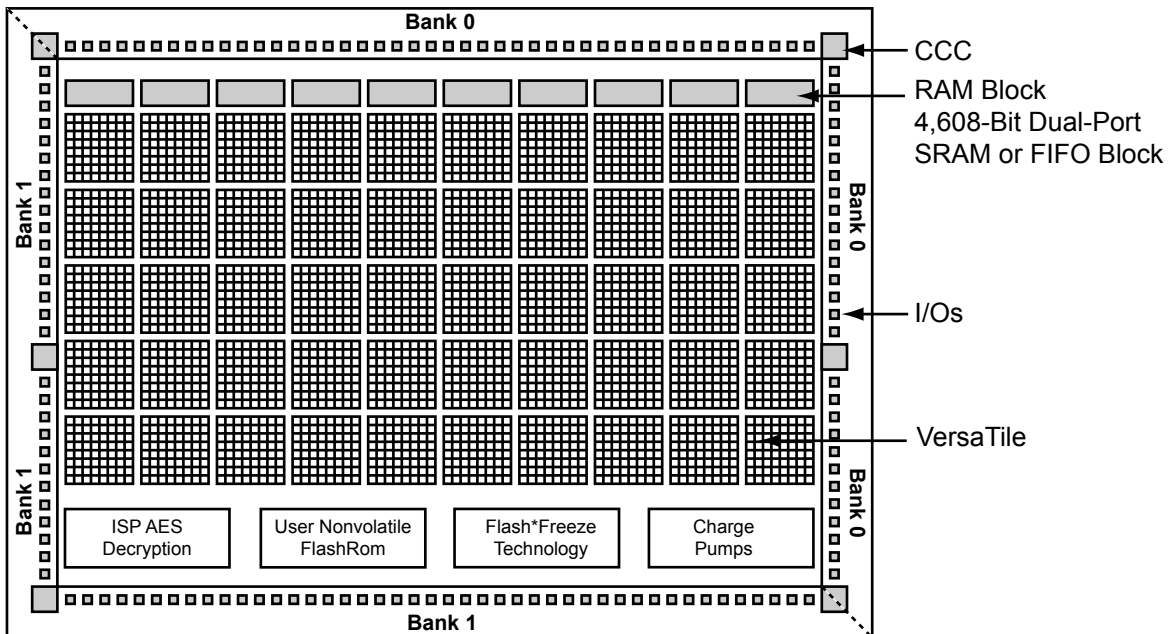


Figure 1-3 • IGLOO Device Architecture Overview with Two I/O Banks (AGLN060, AGLN125)

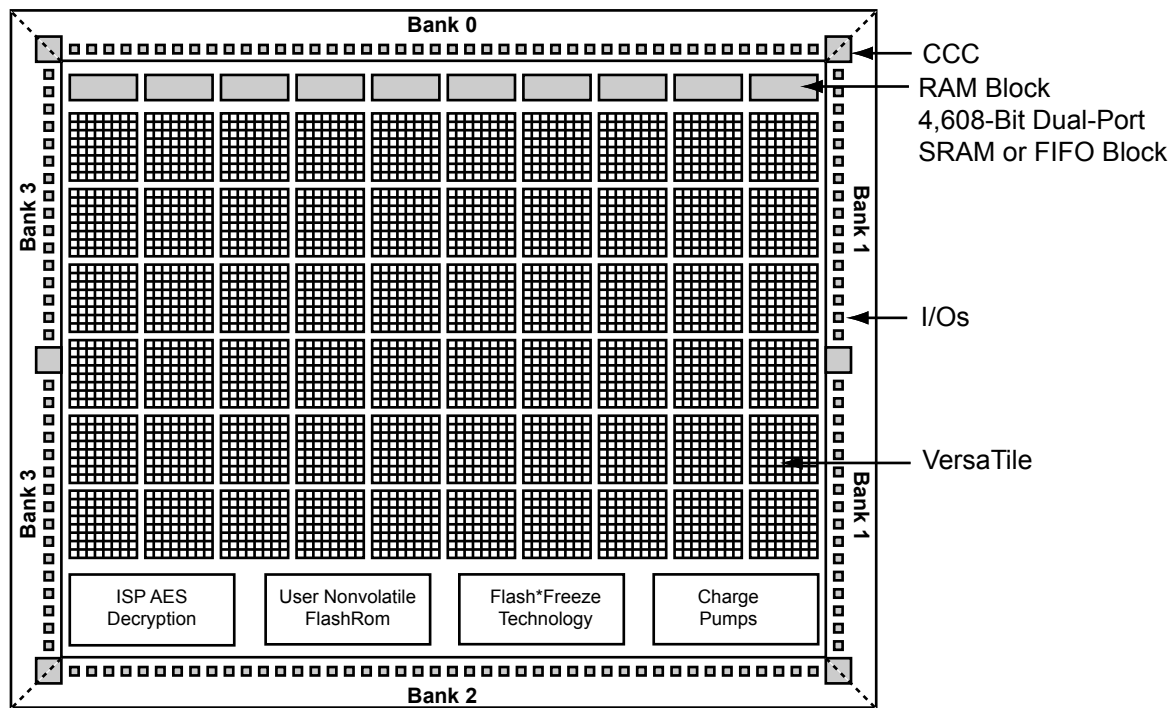


Figure 1-4 • IGLOO Device Architecture Overview with Four I/O Banks (AGLN250)

Flash*Freeze Technology

The IGLOO nano device has an ultra-low power static mode, called Flash*Freeze mode, which retains all SRAM and register information and can still quickly return to normal operation. Flash*Freeze technology enables the user to quickly (within 1 μ s) enter and exit Flash*Freeze mode by activating the Flash*Freeze pin while all power supplies are kept at their original values. I/Os, global I/Os, and clocks can still be driven and can be toggling without impact on power consumption, and the device retains all core registers, SRAM information, and I/O states. I/Os can be individually configured to either hold their previous state or be tristated during Flash*Freeze mode.

Alternatively, I/Os can be set to a specific state using weak pull-up or pull-down I/O attribute configuration. No power is consumed by the I/O banks, clocks, JTAG pins, or PLL, and the device consumes as little as 2 μ W in this mode.

Flash*Freeze technology allows the user to switch to Active mode on demand, thus simplifying the power management of the device.

The Flash*Freeze pin (active low) can be routed internally to the core to allow the user's logic to decide when it is safe to transition to this mode. Refer to [Figure 1-5](#) for an illustration of entering/exiting Flash*Freeze mode. It is also possible to use the Flash*Freeze pin as a regular I/O if Flash*Freeze mode usage is not planned.

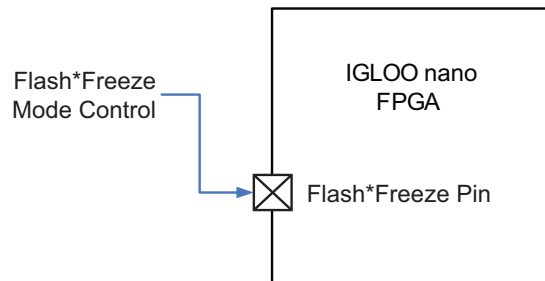


Figure 1-5 • IGLOO nano Flash*Freeze Mode

VersaTiles

The IGLOO nano core consists of VersaTiles, which have been enhanced beyond the ProASIC^{PLUS}® core tiles. The IGLOO nano VersaTile supports the following:

- All 3-input logic functions—LUT-3 equivalent
- Latch with clear or set
- D-flip-flop with clear or set
- Enable D-flip-flop with clear or set

Refer to [Figure 1-6](#) for VersaTile configurations.

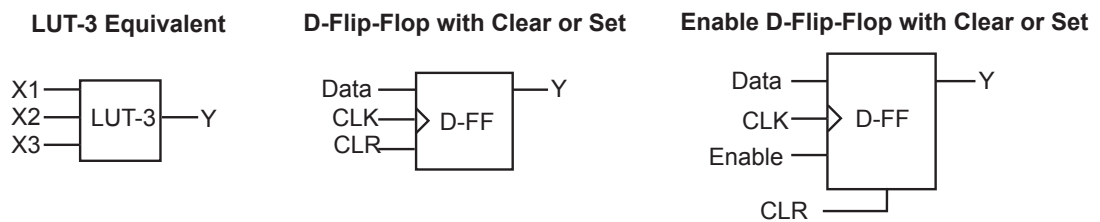


Figure 1-6 • VersaTile Configurations

User Nonvolatile FlashROM

IGLOO nano devices have 1 kbit of on-chip, user-accessible, nonvolatile FlashROM. The FlashROM can be used in diverse system applications:

- Internet protocol addressing (wireless or fixed)
- System calibration settings
- Device serialization and/or inventory control
- Subscription-based business models (for example, set-top boxes)
- Secure key storage for secure communications algorithms
- Asset management/tracking
- Date stamping
- Version management

The FlashROM is written using the standard IGLOO nano IEEE 1532 JTAG programming interface. The core can be individually programmed (erased and written), and on-chip AES decryption can be used selectively to securely load data over public networks (except in the AGLN030 and smaller devices), as in security keys stored in the FlashROM for a user design.

The FlashROM can be programmed via the JTAG programming interface, and its contents can be read back either through the JTAG programming interface or via direct FPGA core addressing. Note that the FlashROM can only be programmed from the JTAG interface and cannot be programmed from the internal logic array.

The FlashROM is programmed as 8 banks of 128 bits; however, reading is performed on a byte-by-byte basis using a synchronous interface. A 7-bit address from the FPGA core defines which of the 8 banks and which of the 16 bytes within that bank are being read. The three most significant bits (MSBs) of the FlashROM address determine the bank, and the four least significant bits (LSBs) of the FlashROM address define the byte.

The IGLOO nano development software solutions, Libero[®] System-on-Chip (SoC) and Designer, have extensive support for the FlashROM. One such feature is auto-generation of sequential programming files for applications requiring a unique serial number in each part. Another feature enables the inclusion of static data for system version control. Data for the FlashROM can be generated quickly and easily using Microsemi Libero SoC and Designer software tools. Comprehensive programming file support is also included to allow for easy programming of large numbers of parts with differing FlashROM contents.

SRAM and FIFO

IGLOO nano devices (except the AGLN030 and smaller devices) have embedded SRAM blocks along their north and south sides. Each variable-aspect-ratio SRAM block is 4,608 bits in size. Available memory configurations are 256×18, 512×9, 1k×4, 2k×2, and 4k×1 bits. The individual blocks have independent read and write ports that can be configured with different bit widths on each port. For example, data can be sent through a 4-bit port and read as a single bitstream. The embedded SRAM blocks can be initialized via the device JTAG port (ROM emulation mode) using the UJTAG macro (except in the AGLN030 and smaller devices).

In addition, every SRAM block has an embedded FIFO control unit. The control unit allows the SRAM block to be configured as a synchronous FIFO without using additional core VersaTiles. The FIFO width and depth are programmable. The FIFO also features programmable Almost Empty (AEMPTY) and Almost Full (AFULL) flags in addition to the normal Empty and Full flags. The embedded FIFO control unit contains the counters necessary for generation of the read and write address pointers. The embedded SRAM/FIFO blocks can be cascaded to create larger configurations.

PLL and CCC

Higher density IGLOO nano devices using either the two I/O bank or four I/O bank architectures provide designers with very flexible clock conditioning capabilities. AGLN060, AGLN125, and AGLN250 contain six CCCs. One CCC (center west side) has a PLL. The AGLN030 and smaller devices use different CCCs in their architecture (CCC-GL). These CCC-GLs contain a global MUX but do not have any PLLs or programmable delays.

For devices using the six CCC block architecture, these are located at the four corners and the centers of the east and west sides. All six CCC blocks are usable; the four corner CCCs and the east CCC allow simple clock delay operations as well as clock spine access.

The inputs of the six CCC blocks are accessible from the FPGA core or from dedicated connections to the CCC block, which are located near the CCC.

The CCC block has these key features:

- Wide input frequency range (f_{IN_CCC}) = 1.5 MHz up to 250 MHz
- Output frequency range (f_{OUT_CCC}) = 0.75 MHz up to 250 MHz
- 2 programmable delay types for clock skew minimization
- Clock frequency synthesis (for PLL only)

Additional CCC specifications:

- Internal phase shift = 0°, 90°, 180°, and 270°. Output phase shift depends on the output divider configuration (for PLL only).
- Output duty cycle = 50% ± 1.5% or better (for PLL only)
- Low output jitter: worst case < 2.5% × clock period peak-to-peak period jitter when single global network used (for PLL only)
- Maximum acquisition time is 300 μs (for PLL only)
- Exceptional tolerance to input period jitter—allowable input jitter is up to 1.5 ns (for PLL only)
- Four precise phases; maximum misalignment between adjacent phases of 40 ps × 250 MHz / f_{OUT_CCC} (for PLL only)

Global Clocking

IGLOO nano devices have extensive support for multiple clocking domains. In addition to the CCC and PLL support described above, there is a comprehensive global clock distribution network.

Each VersaTile input and output port has access to nine VersaNets: six chip (main) and three quadrant global networks. The VersaNets can be driven by the CCC or directly accessed from the core via multiplexers (MUXes). The VersaNets can be used to distribute low-skew clock signals or for rapid distribution of high-fanout nets.

I/Os with Advanced I/O Standards

IGLOO nano FPGAs feature a flexible I/O structure, supporting a range of voltages (1.2 V, 1.2 V wide range, 1.5 V, 1.8 V, 2.5 V, 3.0 V wide range, and 3.3 V).

The I/Os are organized into banks with two, three, or four banks per device. The configuration of these banks determines the I/O standards supported.

Each I/O module contains several input, output, and enable registers. These registers allow the implementation of various single-data-rate applications for all versions of nano devices and double-data-rate applications for the AGLN060, AGLN125, and AGLN250 devices.

IGLOO nano devices support LVTTTL and LVCMOS I/O standards, are hot-swappable, and support cold-sparing and Schmitt trigger.

Hot-swap (also called hot-plug, or hot-insertion) is the operation of hot-insertion or hot-removal of a card in a powered-up system.

Cold-sparing (also called cold-swap) refers to the ability of a device to leave system data undisturbed when the system is powered up, while the component itself is powered down, or when power supplies are floating.

Wide Range I/O Support

IGLOO nano devices support JEDEC-defined wide range I/O operation. IGLOO nano devices support both the JESD8-B specification, covering both 3 V and 3.3 V supplies, for an effective operating range of 2.7 V to 3.6 V, and JESD8-12 with its 1.2 V nominal, supporting an effective operating range of 1.14 V to 1.575 V.

Wider I/O range means designers can eliminate power supplies or power conditioning components from the board or move to less costly components with greater tolerances. Wide range eases I/O bank management and provides enhanced protection from system voltage spikes, while providing the flexibility to easily run custom voltage applications.

Specifying I/O States During Programming

You can modify the I/O states during programming in FlashPro. In FlashPro, this feature is supported for PDB files generated from Designer v8.5 or greater. See the *FlashPro User's Guide* for more information.

Note: PDB files generated from Designer v8.1 to Designer v8.4 (including all service packs) have limited display of Pin Numbers only.

1. Load a PDB from the FlashPro GUI. You must have a PDB loaded to modify the I/O states during programming.
2. From the FlashPro GUI, click PDB Configuration. A FlashPoint – Programming File Generator window appears.
3. Click the Specify I/O States During Programming button to display the Specify I/O States During Programming dialog box.
4. Sort the pins as desired by clicking any of the column headers to sort the entries by that header. Select the I/Os you wish to modify (Figure 1-7 on page 1-9).
5. Set the I/O Output State. You can set Basic I/O settings if you want to use the default I/O settings for your pins, or use Custom I/O settings to customize the settings for each pin. Basic I/O state settings:

1 – I/O is set to drive out logic High

0 – I/O is set to drive out logic Low

Last Known State – I/O is set to the last value that was driven out prior to entering the programming mode, and then held at that value during programming

Z -Tri-State: I/O is tristated

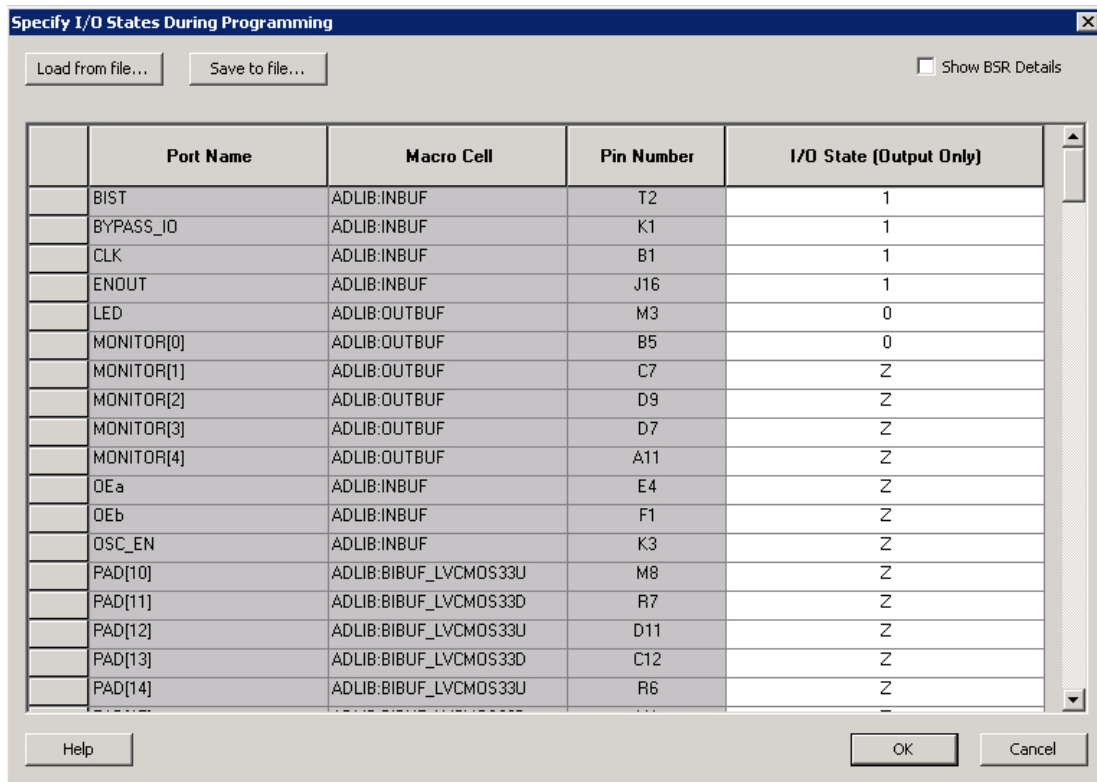


Figure 1-7 • I/O States During Programming Window

6. Click **OK** to return to the FlashPoint – Programming File Generator window.

Note: I/O States During programming are saved to the ADB and resulting programming files after completing programming file generation.

2 – IGLOO nano DC and Switching Characteristics

General Specifications

The Z feature grade does not support the enhanced nano features of Schmitt trigger input, Flash*Freeze bus hold (hold previous I/O state in Flash*Freeze mode), cold-sparing, and hot-swap I/O capability. Refer to "IGLOO nano Ordering Information" on page III for more information.

Operating Conditions

Stresses beyond those listed in [Table 2-1](#) may cause permanent damage to the device.

Exposure to absolute maximum rating conditions for extended periods may affect device reliability. Absolute Maximum Ratings are stress ratings only; functional operation of the device at these or any other conditions beyond those listed under the Recommended Operating Conditions specified in [Table 2-2](#) on [page 2-2](#) is not implied.

Table 2-1 • Absolute Maximum Ratings

| Symbol | Parameter | Limits | Units |
|-------------------------------|------------------------------|-----------------|-------|
| VCC | DC core supply voltage | -0.3 to 1.65 | V |
| VJTAG | JTAG DC voltage | -0.3 to 3.75 | V |
| VPUMP | Programming voltage | -0.3 to 3.75 | V |
| VCCPLL | Analog power supply (PLL) | -0.3 to 1.65 | V |
| VCCI | DC I/O buffer supply voltage | -0.3 to 3.75 | V |
| VI ¹ | I/O input voltage | -0.3 V to 3.6 V | V |
| T _{STG} ² | Storage temperature | -65 to +150 | °C |
| T _J ² | Junction temperature | +125 | °C |

Notes:

1. The device should be operated within the limits specified by the datasheet. During transitions, the input signal may undershoot or overshoot according to the limits shown in [Table 2-4](#) on [page 2-3](#).
2. For flash programming and retention maximum limits, refer to [Table 2-3](#) on [page 2-2](#), and for recommended operating limits, refer to [Table 2-2](#) on [page 2-2](#).

Table 2-2 • Recommended Operating Conditions ¹

| Symbol | Parameter | | Extended Commercial | Industrial | Units |
|-----------------------------|--|---|--------------------------|--------------------------|-------|
| T _A | Ambient temperature | | -20 to +70 ² | -40 to +85 ² | °C |
| T _J | Junction temperature | | -20 to + 85 ² | -40 to +100 ² | °C |
| VCC | 1.5 V DC core supply voltage ³ | | 1.425 to 1.575 | 1.425 to 1.575 | V |
| | 1.2 V–1.5 V wide range core voltage ^{4,5} | | 1.14 to 1.575 | 1.14 to 1.575 | V |
| VJTAG | JTAG DC voltage | | 1.4 to 3.6 | 1.4 to 3.6 | V |
| VPUMP ⁶ | Programming voltage | Programming mode | 3.15 to 3.45 | 3.15 to 3.45 | V |
| | | Operation | 0 to 3.6 | 0 to 3.6 | V |
| VCCPLL ⁷ | Analog power supply (PLL) | 1.5 V DC core supply voltage ³ | 1.425 to 1.575 | 1.425 to 1.575 | V |
| | | 1.2 V–1.5 V wide range core supply voltage ⁴ | 1.14 to 1.575 | 1.14 to 1.575 | V |
| VCCI and VMV ^{8,9} | 1.2 V DC supply voltage ⁴ | | 1.14 to 1.26 | 1.14 to 1.26 | V |
| | 1.2 V DC wide range supply voltage ⁴ | | 1.14 to 1.575 | 1.14 to 1.575 | V |
| | 1.5 V DC supply voltage | | 1.425 to 1.575 | 1.425 to 1.575 | V |
| | 1.8 V DC supply voltage | | 1.7 to 1.9 | 1.7 to 1.9 | V |
| | 2.5 V DC supply voltage | | 2.3 to 2.7 | 2.3 to 2.7 | V |
| | 3.3 V DC supply voltage | | 3.0 to 3.6 | 3.0 to 3.6 | V |
| | 3.3 V DC wide range supply voltage ¹⁰ | | 2.7 to 3.6 | 2.7 to 3.6 | V |

Notes:

1. All parameters representing voltages are measured with respect to GND unless otherwise specified.
2. To ensure targeted reliability standards are met across ambient and junction operating temperatures, Microsemi recommends that the user follow best design practices using Microsemi's timing and power simulation tools.
3. For IGLOO[®] nano V5 devices
4. For IGLOO nano V2 devices only, operating at VCCI ≥ VCC
5. IGLOO nano V5 devices can be programmed with the VCC core voltage at 1.5 V only. IGLOO nano V2 devices can be programmed with the VCC core voltage at 1.2 V (with FlashPro4 only) or 1.5 V. If you are using FlashPro3 and want to do in-system programming using 1.2 V, please contact the factory.
6. V_{PUMP} can be left floating during operation (not programming mode).
7. VCCPLL pins should be tied to VCC pins. See the "Pin Descriptions" chapter for further information.
8. VMV pins must be connected to the corresponding VCCI pins. See the Pin Descriptions chapter of the *IGLOO nano FPGA Fabric User's Guide* for further information.
9. The ranges given here are for power supplies only. The recommended input voltage ranges specific to each I/O standard are given in [Table 2-21 on page 2-19](#). VCCI should be at the same voltage within a given I/O bank.
10. 3.3 V wide range is compliant to the JESD8-B specification and supports 3.0 V VCCI operation.

Table 2-3 • Flash Programming Limits – Retention, Storage, and Operating Temperature¹

| Product Grade | Programming Cycles | Program Retention (biased/unbiased) | Maximum Storage Temperature T _{STG} (°C) ² | Maximum Operating Junction Temperature T _J (°C) ² |
|---------------|--------------------|-------------------------------------|--|---|
| Commercial | 500 | 20 years | 110 | 100 |
| Industrial | 500 | 20 years | 110 | 100 |

Notes:

1. This is a stress rating only; functional operation at any condition other than those indicated is not implied.
2. These limits apply for program/data retention only. Refer to [Table 2-1 on page 2-1](#) and [Table 2-2](#) for device operating conditions and absolute limits.

Table 2-4 • Overshoot and Undershoot Limits ¹

| VCCI | Average VCCI–GND Overshoot or Undershoot Duration as a Percentage of Clock Cycle ² | Maximum Overshoot/Undershoot ² |
|---------------|---|---|
| 2.7 V or less | 10% | 1.4 V |
| | 5% | 1.49 V |
| 3 V | 10% | 1.1 V |
| | 5% | 1.19 V |
| 3.3 V | 10% | 0.79 V |
| | 5% | 0.88 V |
| 3.6 V | 10% | 0.45 V |
| | 5% | 0.54 V |

Notes:

1. Based on reliability requirements at 85°C.
2. The duration is allowed at one out of six clock cycles. If the overshoot/undershoot occurs at one out of two cycles, the maximum overshoot/undershoot has to be reduced by 0.15 V.

I/O Power-Up and Supply Voltage Thresholds for Power-On Reset (Commercial and Industrial)

Sophisticated power-up management circuitry is designed into every IGLOO nano device. These circuits ensure easy transition from the powered-off state to the powered-up state of the device. The many different supplies can power up in any sequence with minimized current spikes or surges. In addition, the I/O will be in a known state through the power-up sequence. The basic principle is shown in [Figure 2-1 on page 2-4](#).

There are five regions to consider during power-up.

IGLOO nano I/Os are activated only if ALL of the following three conditions are met:

1. VCC and VCCI are above the minimum specified trip points ([Figure 2-1](#) and [Figure 2-2 on page 2-5](#)).
2. $VCCI > VCC - 0.75 \text{ V}$ (typical)
3. Chip is in the operating mode.

VCCI Trip Point:

Ramping up (V5 devices): $0.6 \text{ V} < \text{trip_point_up} < 1.2 \text{ V}$

Ramping down (V5 devices): $0.5 \text{ V} < \text{trip_point_down} < 1.1 \text{ V}$

Ramping up (V2 devices): $0.75 \text{ V} < \text{trip_point_up} < 1.05 \text{ V}$

Ramping down (V2 devices): $0.65 \text{ V} < \text{trip_point_down} < 0.95 \text{ V}$

VCC Trip Point:

Ramping up (V5 devices): $0.6 \text{ V} < \text{trip_point_up} < 1.1 \text{ V}$

Ramping down (V5 devices): $0.5 \text{ V} < \text{trip_point_down} < 1.0 \text{ V}$

Ramping up (V2 devices): $0.65 \text{ V} < \text{trip_point_up} < 1.05 \text{ V}$

Ramping down (V2 devices): $0.55 \text{ V} < \text{trip_point_down} < 0.95 \text{ V}$

VCC and VCCI ramp-up trip points are about 100 mV higher than ramp-down trip points. This specifically built-in hysteresis prevents undesirable power-up oscillations and current surges. Note the following:

- During programming, I/Os become tristated and weakly pulled up to VCCI.
- JTAG supply, PLL power supplies, and charge pump VPUMP supply have no influence on I/O behavior.

PLL Behavior at Brownout Condition

Microsemi recommends using monotonic power supplies or voltage regulators to ensure proper power-up behavior. Power ramp-up should be monotonic at least until VCC and VCCPLX exceed brownout activation levels (see Figure 2-1 and Figure 2-2 on page 2-5 for more details).

When PLL power supply voltage and/or VCC levels drop below the VCC brownout levels ($0.75\text{ V} \pm 0.25\text{ V}$ for V5 devices, and $0.75\text{ V} \pm 0.2\text{ V}$ for V2 devices), the PLL output lock signal goes LOW and/or the output clock is lost. Refer to the "Brownout Voltage" section in the "Power-Up/Down Behavior of Low Power Flash Devices" chapter of the *IGLOO nano FPGA Fabric User's Guide* for information on clock and lock recovery.

Internal Power-Up Activation Sequence

1. Core
2. Input buffers
3. Output buffers, after 200 ns delay from input buffer activation

To make sure the transition from input buffers to output buffers is clean, ensure that there is no path longer than 100 ns from input buffer to output buffer in your design.

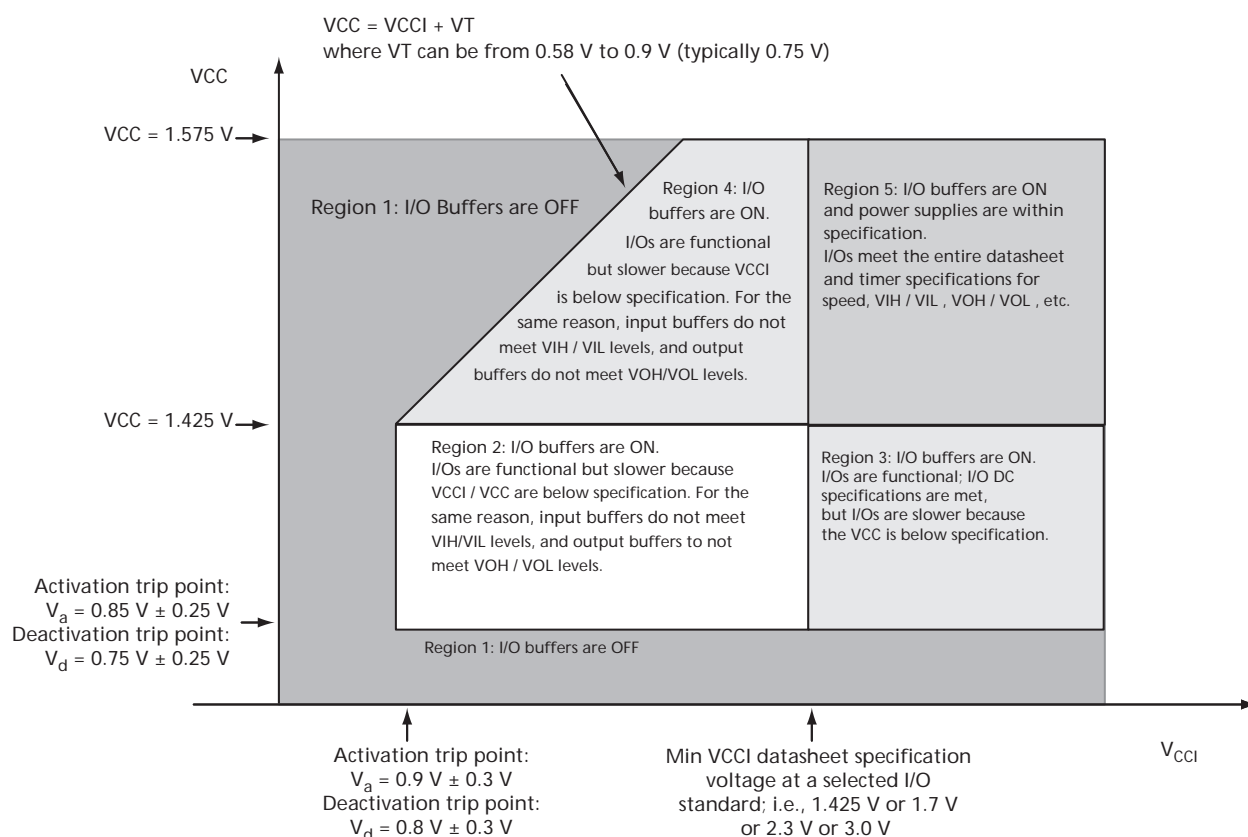


Figure 2-1 • V5 Devices – I/O State as a Function of VCCI and VCC Voltage Levels

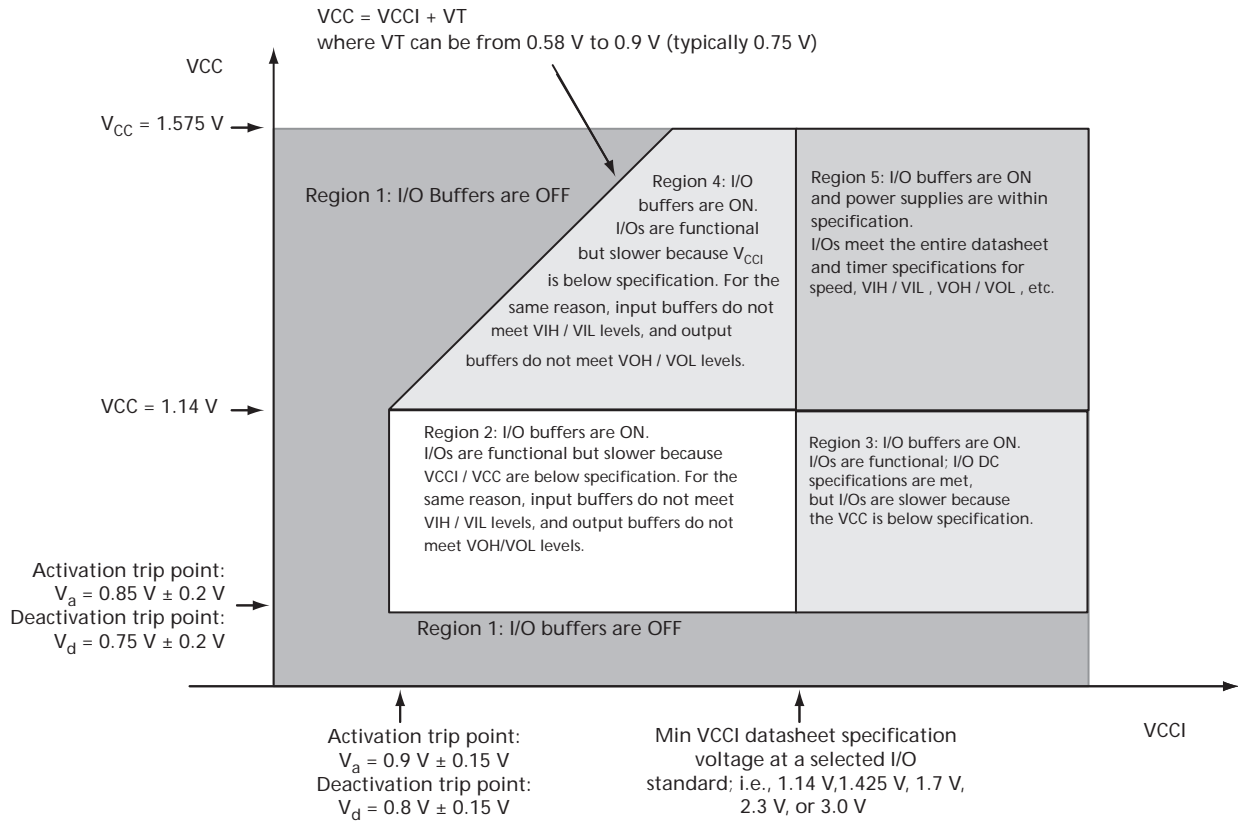


Figure 2-2 • V2 Devices – I/O State as a Function of VCCI and VCC Voltage Levels

Thermal Characteristics

Introduction

The temperature variable in the Microsemi Designer software refers to the junction temperature, not the ambient temperature. This is an important distinction because dynamic and static power consumption cause the chip junction temperature to be higher than the ambient temperature.

EQ 1 can be used to calculate junction temperature.

$$T_J = \text{Junction Temperature} = \Delta T + T_A$$

EQ 1

where:

T_A = Ambient temperature

ΔT = Temperature gradient between junction (silicon) and ambient $\Delta T = \theta_{ja} * P$

θ_{ja} = Junction-to-ambient of the package. θ_{ja} numbers are located in Figure 2-5.

P = Power dissipation

Package Thermal Characteristics

The device junction-to-case thermal resistivity is θ_{jc} and the junction-to-ambient air thermal resistivity is θ_{ja} . The thermal characteristics for θ_{ja} are shown for two air flow rates. The maximum operating junction temperature is 100°C. EQ 2 shows a sample calculation of the maximum operating power dissipation allowed for a 484-pin FBGA package at commercial temperature and in still air.

$$\text{Maximum Power Allowed} = \frac{\text{Max. junction temp. (}^\circ\text{C)} - \text{Max. ambient temp. (}^\circ\text{C)}}{\theta_{ja} (\text{}^\circ\text{C/W)}} = \frac{100^\circ\text{C} - 70^\circ\text{C}}{20.5^\circ\text{C/W}} = 1.46 \text{ W}$$

EQ 2

Table 2-5 • Package Thermal Resistivities

| Package Type | Pin Count | θ_{jc} | θ_{ja} | | | Units |
|---------------------------------|-----------|---------------|---------------|--------------|--------------|-------|
| | | | Still Air | 200 ft./min. | 500 ft./min. | |
| Chip Scale Package (CSP) | 36 | TBD | TBD | TBD | TBD | C/W |
| | 81 | TBD | TBD | TBD | TBD | C/W |
| Quad Flat No Lead (QFN) | 48 | TBD | TBD | TBD | TBD | C/W |
| | 68 | TBD | TBD | TBD | TBD | C/W |
| | 100 | TBD | TBD | TBD | TBD | C/W |
| Very Thin Quad Flat Pack (VQFP) | 100 | 10.0 | 35.3 | 29.4 | 27.1 | C/W |

Temperature and Voltage Derating Factors

**Table 2-6 • Temperature and Voltage Derating Factors for Timing Delays (normalized to $T_J = 70^\circ\text{C}$, $V_{CC} = 1.425 \text{ V}$)
For IGLOO nano V2 or V5 Devices, 1.5 V DC Core Supply Voltage**

| Array Voltage VCC (V) | Junction Temperature ($^\circ\text{C}$) | | | | | | |
|--------------------------|---|---------------------|-------------------|--------------------|--------------------|--------------------|---------------------|
| | -40°C | -20°C | 0°C | 25°C | 70°C | 85°C | 100°C |
| 1.425 | 0.947 | 0.956 | 0.965 | 0.978 | 1.000 | 1.009 | 1.013 |
| 1.5 | 0.875 | 0.883 | 0.892 | 0.904 | 0.925 | 0.932 | 0.937 |
| 1.575 | 0.821 | 0.829 | 0.837 | 0.848 | 0.868 | 0.875 | 0.879 |

Table 2-7 • Temperature and Voltage Derating Factors for Timing Delays (normalized to $T_J = 70^\circ\text{C}$, $V_{CC} = 1.14\text{ V}$)
For IGLOO nano V2, 1.2 V DC Core Supply Voltage

| Array Voltage VCC (V) | Junction Temperature ($^\circ\text{C}$) | | | | | | |
|--------------------------|---|---------------------|-------------------|--------------------|--------------------|--------------------|---------------------|
| | -40°C | -20°C | 0°C | 25°C | 70°C | 85°C | 100°C |
| 1.14 | 0.968 | 0.974 | 0.979 | 0.991 | 1.000 | 1.006 | 1.009 |
| 1.2 | 0.863 | 0.868 | 0.873 | 0.884 | 0.892 | 0.898 | 0.901 |
| 1.26 | 0.792 | 0.797 | 0.801 | 0.811 | 0.819 | 0.824 | 0.827 |

Calculating Power Dissipation

Quiescent Supply Current

Quiescent supply current (I_{DD}) calculation depends on multiple factors, including operating voltages (V_{CC} , V_{CCI} , and V_{JTAG}), operating temperature, system clock frequency, and power mode usage. Microsemi recommends using the Power Calculator and SmartPower software estimation tools to evaluate the projected static and active power based on the user design, power mode usage, operating voltage, and temperature.

Table 2-8 • Power Supply State per Mode

| Modes/Power Supplies | Power Supply Configurations | | | | |
|----------------------|-----------------------------|--------|------|-------|-----------------|
| | VCC | VCCPLL | VCCI | VJTAG | VPUMP |
| Flash*Freeze | On | On | On | On | On/off/floating |
| Sleep | Off | Off | On | Off | Off |
| Shutdown | Off | Off | Off | Off | Off |
| No Flash*Freeze | On | On | On | On | On/off/floating |

Note: Off: Power Supply level = 0 V

Table 2-9 • Quiescent Supply Current (I_{DD}) Characteristics, IGLOO nano Flash*Freeze Mode*

| | Core Voltage | AGLN010 | AGLN015 | AGLN020 | AGLN060 | AGLN125 | AGLN250 | Units |
|--------------------------------|--------------|---------|---------|---------|---------|---------|---------|---------------|
| Typical (25°C) | 1.2 V | 1.9 | 3.3 | 3.3 | 8 | 13 | 20 | μA |
| | 1.5 V | 5.8 | 6 | 6 | 10 | 18 | 34 | μA |

Note: * I_{DD} includes VCC, VPUMP, VCCI, VCCPLL, and VMV currents. Values do not include I/O static contribution, which is shown in Table 2-13 on page 2-9 through Table 2-14 on page 2-9 and Table 2-15 on page 2-10 through Table 2-18 on page 2-11 (PDC6 and PDC7).

Table 2-10 • Quiescent Supply Current (IDD) Characteristics, IGLOO nano Sleep Mode*

| | Core Voltage | AGLN010 | AGLN015 | AGLN020 | AGLN060 | AGLN125 | AGLN250 | Units |
|---|------------------|---------|---------|---------|---------|---------|---------|-------|
| VCCI = 1.2 V (per bank) Typical (25°C) | 1.2 V | 1.7 | 1.7 | 1.7 | 1.7 | 1.7 | 1.7 | μA |
| VCCI = 1.5 V (per bank) Typical (25°C) | 1.2 V / 1.5 V | 1.8 | 1.8 | 1.8 | 1.8 | 1.8 | 1.8 | μA |
| VCCI = 1.8 V (per bank) Typical (25°C) | 1.2 V / 1.5 V | 1.9 | 1.9 | 1.9 | 1.9 | 1.9 | 1.9 | μA |
| VCCI = 2.5 V (per bank) Typical (25°C) | 1.2 V / 1.5 V | 2.2 | 2.2 | 2.2 | 2.2 | 2.2 | 2.2 | μA |
| VCCI = 3.3 V (per bank) Typical (25°C) | 1.2 V / 1.5 V | 2.5 | 2.5 | 2.5 | 2.5 | 2.5 | 2.5 | μA |

Note: $*I_{DD} = N_{BANKS} * I_{CCI}$

Table 2-11 • Quiescent Supply Current (IDD) Characteristics, IGLOO nano Shutdown Mode

| | Core Voltage | AGLN010 | AGLN015 | AGLN020 | AGLN060 | AGLN125 | AGLN250 | Units |
|----------------|---------------|---------|---------|---------|---------|---------|---------|-------|
| Typical (25°C) | 1.2 V / 1.5 V | 0 | 0 | 0 | 0 | 0 | 0 | μA |

Table 2-12 • Quiescent Supply Current (IDD), No IGLOO nano Flash*Freeze Mode¹

| | Core Voltage | AGLN010 | AGLN015 | AGLN020 | AGLN060 | AGLN125 | AGLN250 | Units |
|---|---------------|---------|---------|---------|---------|---------|---------|-------|
| ICCA Current² | | | | | | | | |
| Typical (25°C) | 1.2 V | 3.7 | 5 | 5 | 10 | 13 | 18 | μA |
| | 1.5 V | 8 | 14 | 14 | 20 | 28 | 44 | μA |
| ICCI or JTAG Current | | | | | | | | |
| VCCI / VJTAG = 1.2 V (per bank) Typical (25°C) | 1.2 V | 1.7 | 1.7 | 1.7 | 1.7 | 1.7 | 1.7 | μA |
| VCCI / VJTAG = 1.5 V (per bank) Typical (25°C) | 1.2 V / 1.5 V | 1.8 | 1.8 | 1.8 | 1.8 | 1.8 | 1.8 | μA |
| VCCI / VJTAG = 1.8 V (per bank) Typical (25°C) | 1.2 V / 1.5 V | 1.9 | 1.9 | 1.9 | 1.9 | 1.9 | 1.9 | μA |
| VCCI / VJTAG = 2.5 V (per bank) Typical (25°C) | 1.2 V / 1.5 V | 2.2 | 2.2 | 2.2 | 2.2 | 2.2 | 2.2 | μA |
| VCCI / VJTAG = 3.3 V (per bank) Typical (25°C) | 1.2 V / 1.5 V | 2.5 | 2.5 | 2.5 | 2.5 | 2.5 | 2.5 | μA |

Notes:

1. $IDD = N_{BANKS} * ICCI + ICCA$. JTAG counts as one bank when powered.
2. Includes VCC, VCCPLL, and VPUMP currents.

Power per I/O Pin

Table 2-13 • Summary of I/O Input Buffer Power (per pin) – Default I/O Software Settings
Applicable to IGLOO nano I/O Banks

| | VCCI (V) | Dynamic Power PAC9 (μW/MHz) ¹ |
|--|----------|--|
| Single-Ended | | |
| 3.3 V LVTTTL / 3.3 V LVCMOS | 3.3 | 16.38 |
| 3.3 V LVTTTL / 3.3 V LVCMOS – Schmitt Trigger | 3.3 | 18.89 |
| 3.3 V LVCMOS Wide Range ² | 3.3 | 16.38 |
| 3.3 V LVCMOS Wide Range – Schmitt Trigger | 3.3 | 18.89 |
| 2.5 V LVCMOS | 2.5 | 4.71 |
| 2.5 V LVCMOS – Schmitt Trigger | 2.5 | 6.13 |
| 1.8 V LVCMOS | 1.8 | 1.64 |
| 1.8 V LVCMOS – Schmitt Trigger | 1.8 | 1.79 |
| 1.5 V LVCMOS (JESD8-11) | 1.5 | 0.97 |
| 1.5 V LVCMOS (JESD8-11) – Schmitt Trigger | 1.5 | 0.96 |
| 1.2 V LVCMOS ³ | 1.2 | 0.57 |
| 1.2 V LVCMOS – Schmitt Trigger ³ | 1.2 | 0.52 |
| 1.2 V LVCMOS Wide Range ³ | 1.2 | 0.57 |
| 1.2 V LVCMOS Wide Range – Schmitt Trigger ³ | 1.2 | 0.52 |

Notes:

1. PAC9 is the total dynamic power measured on VCCI.
2. All LVCMOS 3.3 V software macros support LVCMOS 3.3 V wide range as specified in the JESD8-B specification.
3. Applicable to IGLOO nano V2 devices operating at VCCI ≥ VCC.

Table 2-14 • Summary of I/O Output Buffer Power (per pin) – Default I/O Software Settings¹
Applicable to IGLOO nano I/O Banks

| | C _{LOAD} (pF) | VCCI (V) | Dynamic Power PAC10 (μW/MHz) ² |
|--------------------------------------|------------------------|----------|---|
| Single-Ended | | | |
| 3.3 V LVTTTL / 3.3 V LVCMOS | 5 | 3.3 | 107.98 |
| 3.3 V LVCMOS Wide Range ³ | 5 | 3.3 | 107.98 |
| 2.5 V LVCMOS | 5 | 2.5 | 61.24 |
| 1.8 V LVCMOS | 5 | 1.8 | 31.28 |
| 1.5 V LVCMOS (JESD8-11) | 5 | 1.5 | 21.50 |
| 1.2 V LVCMOS ⁴ | 5 | 1.2 | 15.22 |

Notes:

1. Dynamic power consumption is given for standard load and software default drive strength and output slew.
2. PAC10 is the total dynamic power measured on VCCI.
3. All LVCMOS 3.3 V software macros support LVCMOS 3.3 V wide range as specified in the JESD8-B specification.
4. Applicable for IGLOO nano V2 devices operating at VCCI ≥ VCC.

Power Consumption of Various Internal Resources

Table 2-15 • Different Components Contributing to Dynamic Power Consumption in IGLOO nano Devices For IGLOO nano V2 or V5 Devices, 1.5 V Core Supply Voltage

| Parameter | Definition | Device Specific Dynamic Power ($\mu\text{W}/\text{MHz}$) | | | | | |
|-----------|--|--|---------|---------|---------|---------|---------|
| | | AGLN250 | AGLN125 | AGLN060 | AGLN020 | AGLN015 | AGLN010 |
| PAC1 | Clock contribution of a Global Rib | 4.421 | 4.493 | 2.700 | 0 | 0 | 0 |
| PAC2 | Clock contribution of a Global Spine | 2.704 | 1.976 | 1.982 | 4.002 | 4.002 | 2.633 |
| PAC3 | Clock contribution of a VersaTile row | 1.496 | 1.504 | 1.511 | 1.346 | 1.346 | 1.340 |
| PAC4 | Clock contribution of a VersaTile used as a sequential module | 0.152 | 0.153 | 0.153 | 0.148 | 0.148 | 0.143 |
| PAC5 | First contribution of a VersaTile used as a sequential module | 0.057 | | | | | |
| PAC6 | Second contribution of a VersaTile used as a sequential module | 0.207 | | | | | |
| PAC7 | Contribution of a VersaTile used as a combinatorial module | 0.17 | | | | | |
| PAC8 | Average contribution of a routing net | 0.7 | | | | | |
| PAC9 | Contribution of an I/O input pin (standard-dependent) | See Table 2-13 on page 2-9. | | | | | |
| PAC10 | Contribution of an I/O output pin (standard-dependent) | See Table 2-14. | | | | | |
| PAC11 | Average contribution of a RAM block during a read operation | 25.00 | | | N/A | | |
| PAC12 | Average contribution of a RAM block during a write operation | 30.00 | | | N/A | | |
| PAC13 | Dynamic contribution for PLL | 2.70 | | | N/A | | |

Table 2-16 • Different Components Contributing to the Static Power Consumption in IGLOO nano Devices For IGLOO nano V2 or V5 Devices, 1.5 V Core Supply Voltage

| Parameter | Definition | Device -Specific Static Power (mW) | | | | | |
|-------------------|--|------------------------------------|---------|---------|---------|---------|---------|
| | | AGLN250 | AGLN125 | AGLN060 | AGLN020 | AGLN015 | AGLN010 |
| PDC1 | Array static power in Active mode | See Table 2-12 on page 2-8 | | | | | |
| PDC2 | Array static power in Static (Idle) mode | See Table 2-12 on page 2-8 | | | | | |
| PDC3 | Array static power in Flash*Freeze mode | See Table 2-9 on page 2-7 | | | | | |
| PDC4 ¹ | Static PLL contribution | 1.84 | | | N/A | | |
| PDC5 | Bank quiescent power (VCCI-dependent) ² | See Table 2-12 on page 2-8 | | | | | |

Notes:

1. Minimum contribution of the PLL when running at lowest frequency.
2. For a different output load, drive strength, or slew rate, Microsemi recommends using the Microsemi power spreadsheet calculator or the SmartPower tool in Libero SoC.

Table 2-17 • Different Components Contributing to Dynamic Power Consumption in IGLOO nano Devices For IGLOO nano V2 Devices, 1.2 V Core Supply Voltage

| Parameter | Definition | Device-Specific Dynamic Power ($\mu\text{W}/\text{MHz}$) | | | | | |
|-----------|--|--|---------|---------|---------|---------|---------|
| | | AGLN250 | AGLN125 | AGLN060 | AGLN020 | AGLN015 | AGLN010 |
| PAC1 | Clock contribution of a Global Rib | 2.829 | 2.875 | 1.728 | 0 | 0 | 0 |
| PAC2 | Clock contribution of a Global Spine | 1.731 | 1.265 | 1.268 | 2.562 | 2.562 | 1.685 |
| PAC3 | Clock contribution of a VersaTile row | 0.957 | 0.963 | 0.967 | 0.862 | 0.862 | 0.858 |
| PAC4 | Clock contribution of a VersaTile used as a sequential module | 0.098 | 0.098 | 0.098 | 0.094 | 0.094 | 0.091 |
| PAC5 | First contribution of a VersaTile used as a sequential module | 0.045 | | | | | |
| PAC6 | Second contribution of a VersaTile used as a sequential module | 0.186 | | | | | |
| PAC7 | Contribution of a VersaTile used as a combinatorial module | 0.11 | | | | | |
| PAC8 | Average contribution of a routing net | 0.45 | | | | | |
| PAC9 | Contribution of an I/O input pin (standard-dependent) | See Table 2-13 on page 2-9 | | | | | |
| PAC10 | Contribution of an I/O output pin (standard-dependent) | See Table 2-14 on page 2-9 | | | | | |
| PAC11 | Average contribution of a RAM block during a read operation | 25.00 | | | N/A | | |
| PAC12 | Average contribution of a RAM block during a write operation | 30.00 | | | N/A | | |
| PAC13 | Dynamic contribution for PLL | 2.10 | | | N/A | | |

Table 2-18 • Different Components Contributing to the Static Power Consumption in IGLOO nano Devices For IGLOO nano V2 Devices, 1.2 V Core Supply Voltage

| Parameter | Definition | Device-Specific Static Power (mW) | | | | | |
|-------------------|--|-----------------------------------|---------|---------|---------|---------|---------|
| | | AGLN250 | AGLN125 | AGLN060 | AGLN020 | AGLN015 | AGLN010 |
| PDC1 | Array static power in Active mode | See Table 2-12 on page 2-8 | | | | | |
| PDC2 | Array static power in Static (Idle) mode | See Table 2-12 on page 2-8 | | | | | |
| PDC3 | Array static power in Flash*Freeze mode | See Table 2-9 on page 2-7 | | | | | |
| PDC4 ¹ | Static PLL contribution | 0.90 | | | N/A | | |
| PDC5 | Bank quiescent power (VCCI-dependent) ² | See Table 2-12 on page 2-8 | | | | | |

Notes:

1. Minimum contribution of the PLL when running at lowest frequency.
2. For a different output load, drive strength, or slew rate, Microsemi recommends using the Microsemi power spreadsheet calculator or the SmartPower tool in Libero SoC.

Power Calculation Methodology

This section describes a simplified method to estimate power consumption of an application. For more accurate and detailed power estimations, use the SmartPower tool in Libero SoC software.

The power calculation methodology described below uses the following variables:

- The number of PLLs as well as the number and the frequency of each output clock generated
- The number of combinatorial and sequential cells used in the design
- The internal clock frequencies
- The number and the standard of I/O pins used in the design
- The number of RAM blocks used in the design
- Toggle rates of I/O pins as well as VersaTiles—guidelines are provided in [Table 2-19 on page 2-14](#).
- Enable rates of output buffers—guidelines are provided for typical applications in [Table 2-20 on page 2-14](#).
- Read rate and write rate to the memory—guidelines are provided for typical applications in [Table 2-20 on page 2-14](#). The calculation should be repeated for each clock domain defined in the design.

Methodology

Total Power Consumption— P_{TOTAL}

$$P_{TOTAL} = P_{STAT} + P_{DYN}$$

P_{STAT} is the total static power consumption.

P_{DYN} is the total dynamic power consumption.

Total Static Power Consumption— P_{STAT}

$$P_{STAT} = (PDC1 \text{ or } PDC2 \text{ or } PDC3) + N_{BANKS} * PDC5$$

N_{BANKS} is the number of I/O banks powered in the design.

Total Dynamic Power Consumption— P_{DYN}

$$P_{DYN} = P_{CLOCK} + P_{S-CELL} + P_{C-CELL} + P_{NET} + P_{INPUTS} + P_{OUTPUTS} + P_{MEMORY} + P_{PLL}$$

Global Clock Contribution— P_{CLOCK}

$$P_{CLOCK} = (PAC1 + N_{SPINE} * PAC2 + N_{ROW} * PAC3 + N_{S-CELL} * PAC4) * F_{CLK}$$

N_{SPINE} is the number of global spines used in the user design—guidelines are provided in the "Spine Architecture" section of the *IGLOO nano FPGA Fabric User's Guide*.

N_{ROW} is the number of VersaTile rows used in the design—guidelines are provided in the "Spine Architecture" section of the *IGLOO nano FPGA Fabric User's Guide*.

F_{CLK} is the global clock signal frequency.

N_{S-CELL} is the number of VersaTiles used as sequential modules in the design.

PAC1, PAC2, PAC3, and PAC4 are device-dependent.

Sequential Cells Contribution— P_{S-CELL}

$$P_{S-CELL} = N_{S-CELL} * (PAC5 + \alpha_1 / 2 * PAC6) * F_{CLK}$$

N_{S-CELL} is the number of VersaTiles used as sequential modules in the design. When a multi-tile sequential cell is used, it should be accounted for as 1.

α_1 is the toggle rate of VersaTile outputs—guidelines are provided in [Table 2-19 on page 2-14](#).

F_{CLK} is the global clock signal frequency.

Combinatorial Cells Contribution— P_{C-CELL}

$$P_{C-CELL} = N_{C-CELL} * \alpha_1 / 2 * PAC7 * F_{CLK}$$

N_{C-CELL} is the number of VersaTiles used as combinatorial modules in the design.

α_1 is the toggle rate of VersaTile outputs—guidelines are provided in [Table 2-19](#) on page 2-14.

F_{CLK} is the global clock signal frequency.

Routing Net Contribution— P_{NET}

$$P_{NET} = (N_{S-CELL} + N_{C-CELL}) * \alpha_1 / 2 * PAC8 * F_{CLK}$$

N_{S-CELL} is the number of VersaTiles used as sequential modules in the design.

N_{C-CELL} is the number of VersaTiles used as combinatorial modules in the design.

α_1 is the toggle rate of VersaTile outputs—guidelines are provided in [Table 2-19](#) on page 2-14.

F_{CLK} is the global clock signal frequency.

I/O Input Buffer Contribution— P_{INPUTS}

$$P_{INPUTS} = N_{INPUTS} * \alpha_2 / 2 * PAC9 * F_{CLK}$$

N_{INPUTS} is the number of I/O input buffers used in the design.

α_2 is the I/O buffer toggle rate—guidelines are provided in [Table 2-19](#) on page 2-14.

F_{CLK} is the global clock signal frequency.

I/O Output Buffer Contribution— $P_{OUTPUTS}$

$$P_{OUTPUTS} = N_{OUTPUTS} * \alpha_2 / 2 * \beta_1 * PAC10 * F_{CLK}$$

$N_{OUTPUTS}$ is the number of I/O output buffers used in the design.

α_2 is the I/O buffer toggle rate—guidelines are provided in [Table 2-19](#) on page 2-14.

β_1 is the I/O buffer enable rate—guidelines are provided in [Table 2-20](#) on page 2-14.

F_{CLK} is the global clock signal frequency.

RAM Contribution— P_{MEMORY}

$$P_{MEMORY} = PAC11 * N_{BLOCKS} * F_{READ-CLOCK} * \beta_2 + PAC12 * N_{BLOCK} * F_{WRITE-CLOCK} * \beta_3$$

N_{BLOCKS} is the number of RAM blocks used in the design.

$F_{READ-CLOCK}$ is the memory read clock frequency.

β_2 is the RAM enable rate for read operations.

$F_{WRITE-CLOCK}$ is the memory write clock frequency.

β_3 is the RAM enable rate for write operations—guidelines are provided in [Table 2-20](#) on page 2-14.

PLL Contribution— P_{PLL}

$$P_{PLL} = PDC4 + PAC13 * F_{CLKOUT}$$

F_{CLKOUT} is the output clock frequency.¹

1. If a PLL is used to generate more than one output clock, include each output clock in the formula by adding its corresponding contribution ($PAC13 * F_{CLKOUT}$ product) to the total PLL contribution.

Guidelines

Toggle Rate Definition

A toggle rate defines the frequency of a net or logic element relative to a clock. It is a percentage. If the toggle rate of a net is 100%, this means that this net switches at half the clock frequency. Below are some examples:

- The average toggle rate of a shift register is 100% because all flip-flop outputs toggle at half of the clock frequency.
- The average toggle rate of an 8-bit counter is 25%:
 - Bit 0 (LSB) = 100%
 - Bit 1 = 50%
 - Bit 2 = 25%
 - ...
 - Bit 7 (MSB) = 0.78125%
 - Average toggle rate = $(100\% + 50\% + 25\% + 12.5\% + \dots + 0.78125\%) / 8$

Enable Rate Definition

Output enable rate is the average percentage of time during which tristate outputs are enabled. When nontristate output buffers are used, the enable rate should be 100%.

Table 2-19 • Toggle Rate Guidelines Recommended for Power Calculation

| Component | Definition | Guideline |
|------------|----------------------------------|-----------|
| α_1 | Toggle rate of VersaTile outputs | 10% |
| α_2 | I/O buffer toggle rate | 10% |

Table 2-20 • Enable Rate Guidelines Recommended for Power Calculation

| Component | Definition | Guideline |
|-----------|--------------------------------------|-----------|
| β_1 | I/O output buffer enable rate | 100% |
| β_2 | RAM enable rate for read operations | 12.5% |
| β_3 | RAM enable rate for write operations | 12.5% |

User I/O Characteristics

Timing Model

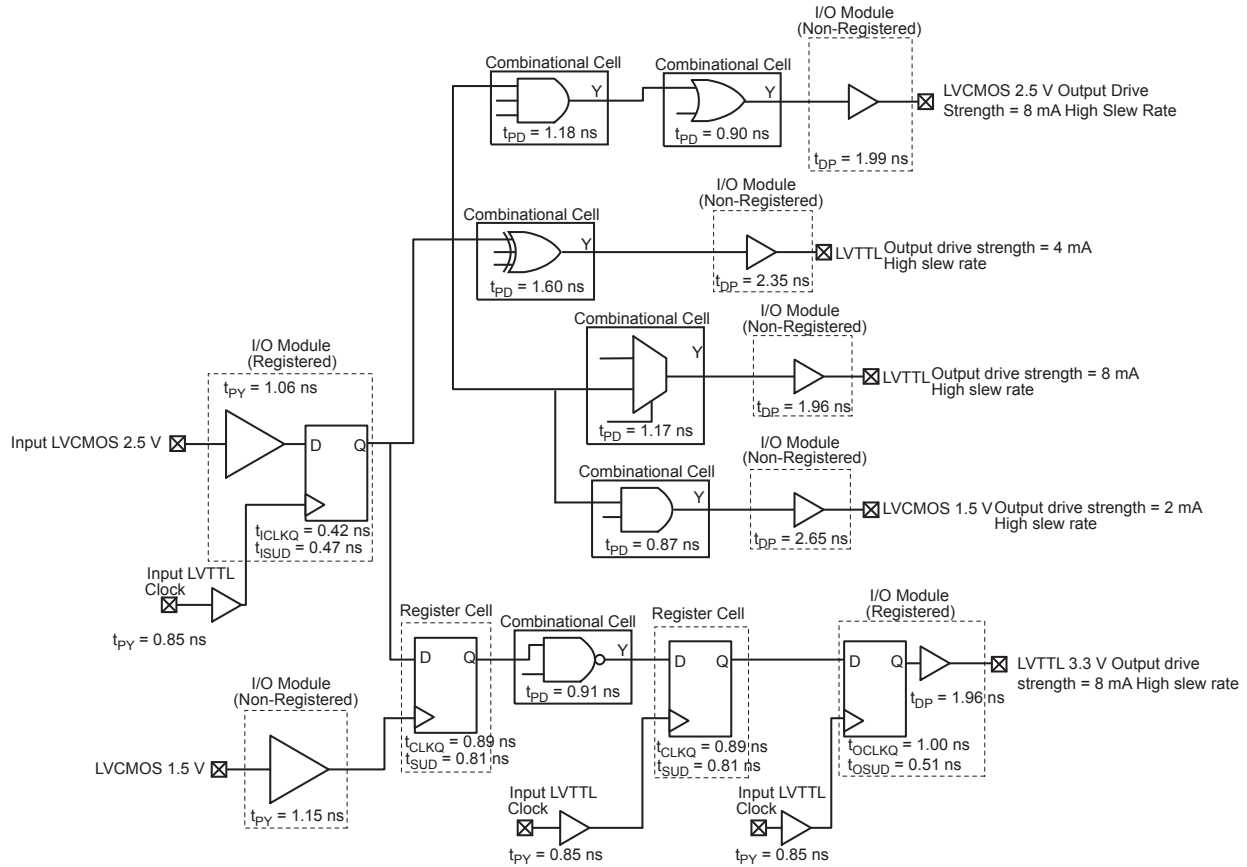
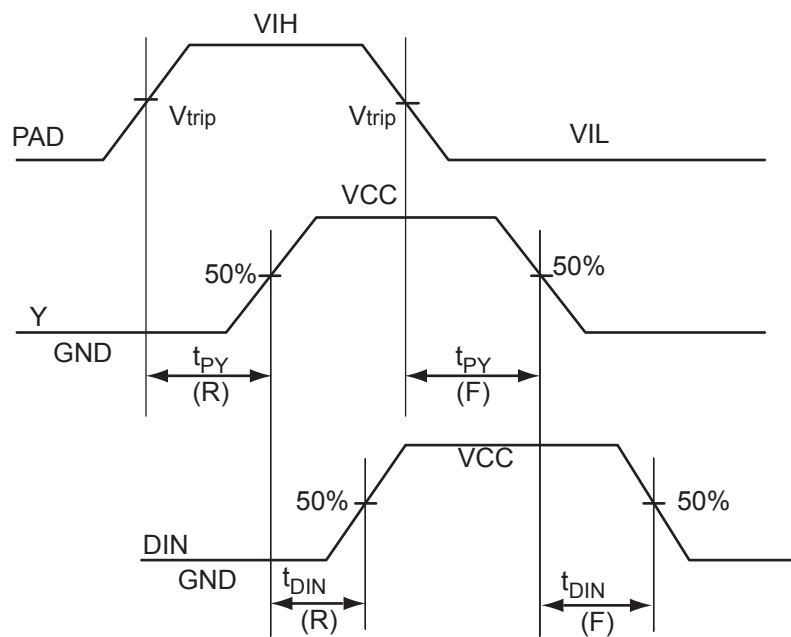
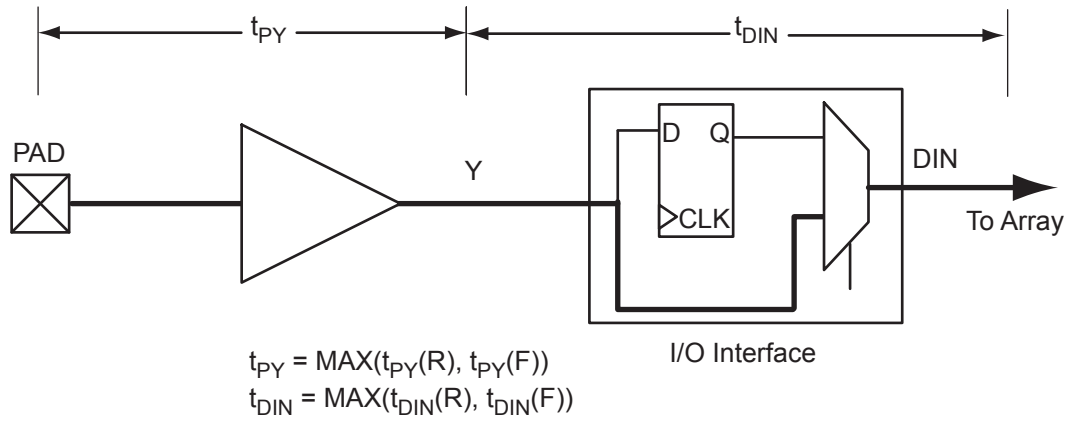


Figure 2-3 • Timing Model

Operating Conditions: STD Speed, Commercial Temperature Range ($T_j = 70^\circ\text{C}$), Worst-Case $V_{CC} = 1.425$ V, for DC 1.5 V Core Voltage, Applicable to V2 and V5 Devices


Figure 2-4 • Input Buffer Timing Model and Delays (example)

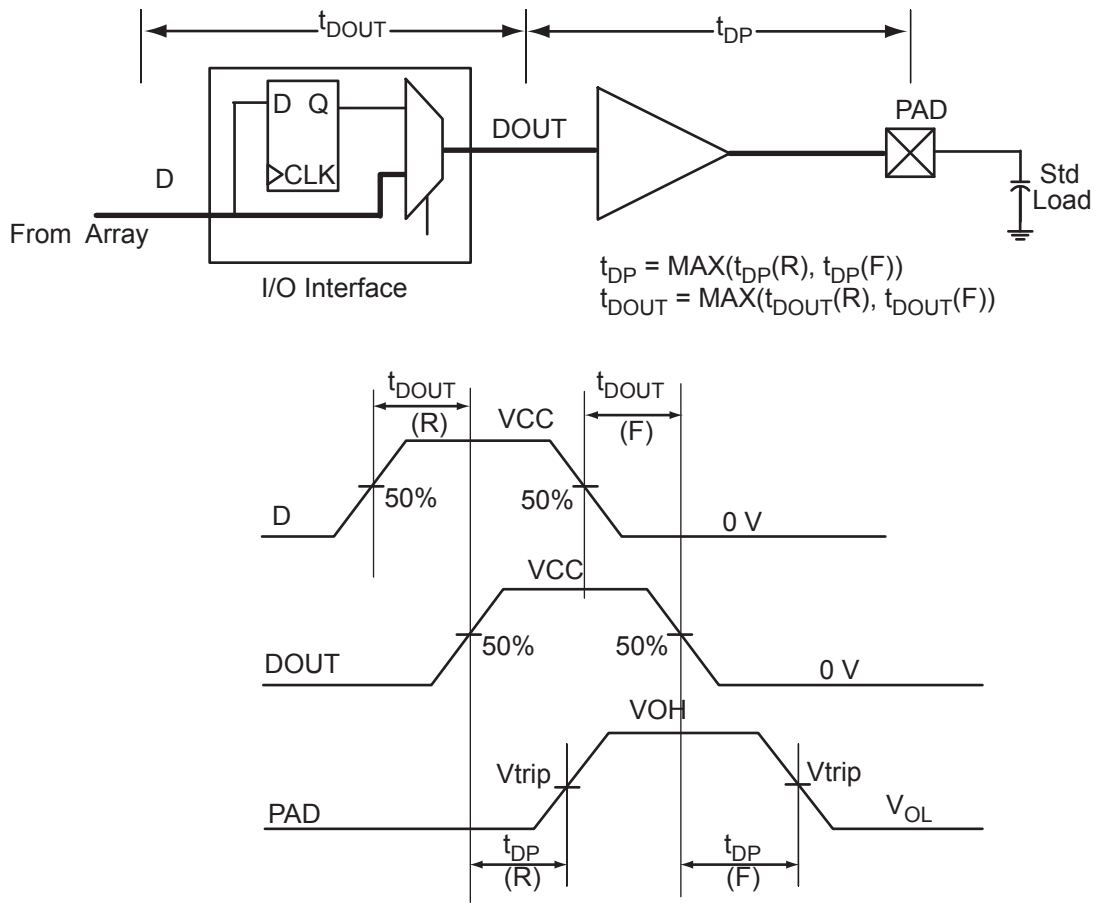


Figure 2-5 • Output Buffer Model and Delays (example)

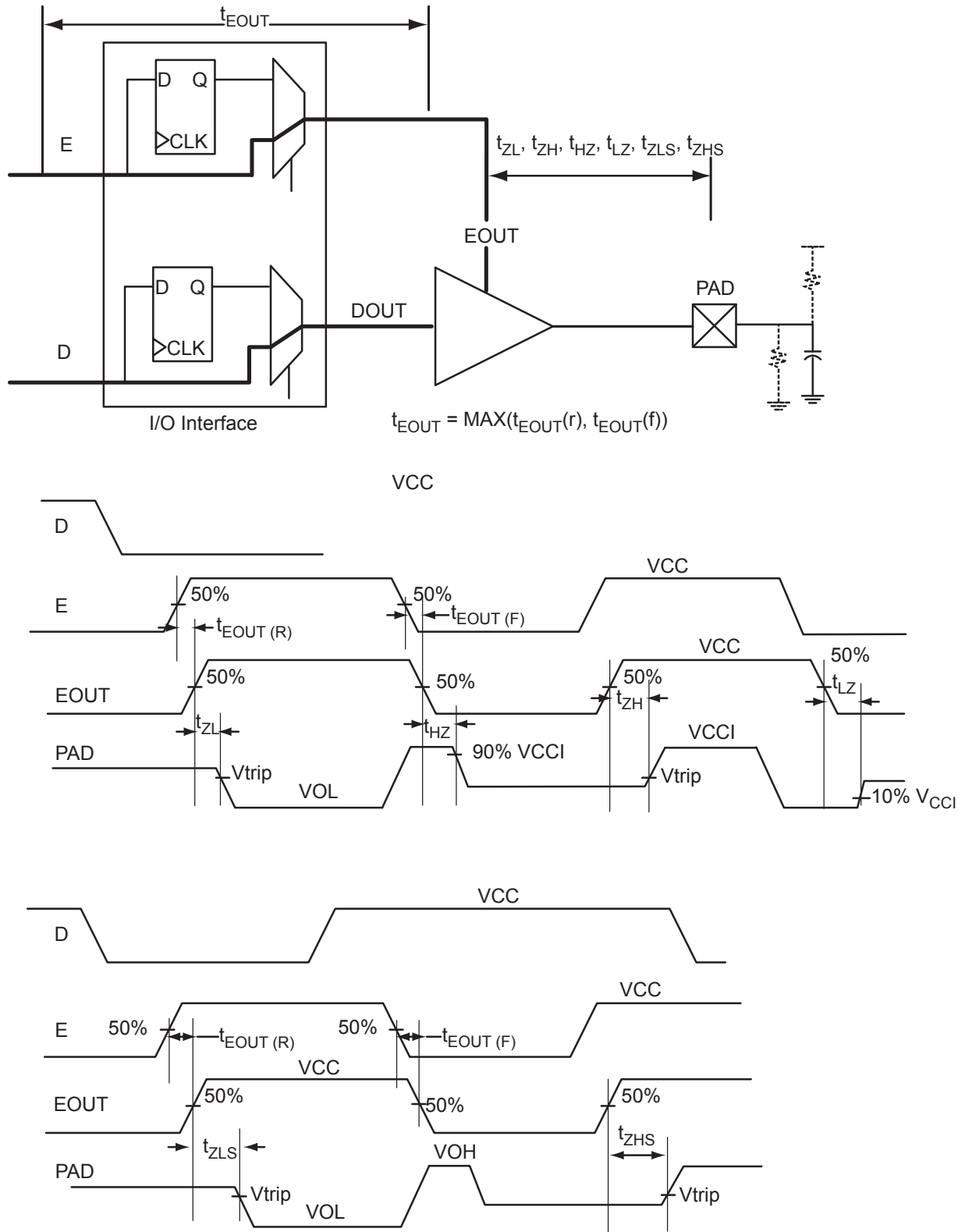


Figure 2-6 • Tristate Output Buffer Timing Model and Delays (example)

Overview of I/O Performance

Summary of I/O DC Input and Output Levels – Default I/O Software Settings

Table 2-21 • Summary of Maximum and Minimum DC Input and Output Levels
Applicable to Commercial and Industrial Conditions—Software Default Settings

| I/O Standard | Drive Strength | Equivalent Software Default Drive Strength ² | Slew Rate | VIL | | VIH | | VOL | VOH | IOL ¹ | IOH ¹ |
|--|----------------|---|-----------|--------|-------------|-------------|--------|-------------|-------------|------------------|------------------|
| | | | | Min. V | Max. V | Min. V | Max. V | Max. V | Min. V | mA | mA |
| 3.3 V LVTTTL / 3.3 V LVCMOS | 8 mA | 8 mA | High | -0.3 | 0.8 | 2 | 3.6 | 0.4 | 2.4 | 8 | 8 |
| 3.3 V LVCMOS Wide Range ³ | 100 μ A | 8 mA | High | -0.3 | 0.8 | 2 | 3.6 | 0.2 | VCCI - 0.2 | 100 μ A | 100 μ A |
| 2.5 V LVCMOS | 8 mA | 8 mA | High | -0.3 | 0.7 | 1.7 | 3.6 | 0.7 | 1.7 | 8 | 8 |
| 1.8 V LVCMOS | 4 mA | 4 mA | High | -0.3 | 0.35 * VCCI | 0.65 * VCCI | 3.6 | 0.45 | VCCI - 0.45 | 4 | 4 |
| 1.5 V LVCMOS | 2 mA | 2 mA | High | -0.3 | 0.35 * VCCI | 0.65 * VCCI | 3.6 | 0.25 * VCCI | 0.75 * VCCI | 2 | 2 |
| 1.2 V LVCMOS ⁴ | 1 mA | 1 mA | High | -0.3 | 0.35 * VCCI | 0.65 * VCCI | 3.6 | 0.25 * VCCI | 0.75 * VCCI | 1 | 1 |
| 1.2 V LVCMOS Wide Range ^{4,5} | 100 μ A | 1 mA | High | -0.3 | 0.3 * VCCI | 0.7 * VCCI | 3.6 | 0.1 | VCCI - 0.1 | 100 μ A | 100 μ A |

Notes:

1. Currents are measured at 85°C junction temperature.
2. The minimum drive strength for any LVCMOS 1.2 V or LVCMOS 3.3 V software configuration when run in wide range is $\pm 100 \mu$ A. Drive strength displayed in the software is supported for normal range only. For a detailed I/V curve, refer to the IBIS models.
3. All LVCMOS 3.3 V software macros support LVCMOS 3.3 V wide range, as specified in the JESD8-B specification.
4. Applicable to IGLOO nano V2 devices operating at VCCI \geq VCC.
5. All LVCMOS 1.2 V software macros support LVCMOS 1.2 V wide range, as specified in the JESD8-12 specification.

Table 2-22 • Summary of Maximum and Minimum DC Input Levels
Applicable to Commercial and Industrial Conditions

| DC I/O Standards | Commercial ¹ | | Industrial ² | |
|--------------------------------------|-------------------------|------------------|-------------------------|------------------|
| | IIL ³ | IIH ⁴ | IIL ³ | IIH ⁴ |
| | μ A | μ A | μ A | μ A |
| 3.3 V LVTTTL / 3.3 V LVCMOS | 10 | 10 | 15 | 15 |
| 3.3 V LVCOMS Wide Range | 10 | 10 | 15 | 15 |
| 2.5 V LVCMOS | 10 | 10 | 15 | 15 |
| 1.8 V LVCMOS | 10 | 10 | 15 | 15 |
| 1.5 V LVCMOS | 10 | 10 | 15 | 15 |
| 1.2 V LVCMOS ⁵ | 10 | 10 | 15 | 15 |
| 1.2 V LVCMOS Wide Range ⁵ | 10 | 10 | 15 | 15 |

Notes:

1. Commercial range ($-20^{\circ}\text{C} < T_A < 70^{\circ}\text{C}$)
2. Industrial range ($-40^{\circ}\text{C} < T_A < 85^{\circ}\text{C}$)
3. I_{IH} is the input leakage current per I/O pin over recommended operating conditions, where $V_{IH} < V_{IN} < V_{CCI}$. Input current is larger when operating outside recommended ranges.
4. I_{IL} is the input leakage current per I/O pin over recommended operating conditions, where $-0.3 \text{ V} < V_{IN} < V_{IL}$.
5. Applicable to IGLOO nano V2 devices operating at VCCI \geq VCC.

Summary of I/O Timing Characteristics – Default I/O Software Settings

Table 2-23 • Summary of AC Measuring Points

| Standard | Measuring Trip Point (Vtrip) |
|-----------------------------|------------------------------|
| 3.3 V LVTTTL / 3.3 V LVCMOS | 1.4 V |
| 3.3 V LVCMOS Wide Range | 1.4 V |
| 2.5 V LVCMOS | 1.2 V |
| 1.8 V LVCMOS | 0.90 V |
| 1.5 V LVCMOS | 0.75 V |
| 1.2 V LVCMOS | 0.60 V |
| 1.2 V LVCMOS Wide Range | 0.60 V |

Table 2-24 • I/O AC Parameter Definitions

| Parameter | Parameter Definition |
|------------|---|
| t_{DP} | Data to Pad delay through the Output Buffer |
| t_{PY} | Pad to Data delay through the Input Buffer |
| t_{DOUT} | Data to Output Buffer delay through the I/O interface |
| t_{EOUT} | Enable to Output Buffer Tristate Control delay through the I/O interface |
| t_{DIN} | Input Buffer to Data delay through the I/O interface |
| t_{HZ} | Enable to Pad delay through the Output Buffer—HIGH to Z |
| t_{ZH} | Enable to Pad delay through the Output Buffer—Z to HIGH |
| t_{LZ} | Enable to Pad delay through the Output Buffer—LOW to Z |
| t_{ZL} | Enable to Pad delay through the Output Buffer—Z to LOW |
| t_{ZHS} | Enable to Pad delay through the Output Buffer with delayed enable—Z to HIGH |
| t_{ZLS} | Enable to Pad delay through the Output Buffer with delayed enable—Z to LOW |

Applies to IGLOO nano at 1.5 V Core Operating Conditions

Table 2-25 • Summary of I/O Timing Characteristics—Software Default Settings
 STD Speed Grade, Commercial-Case Conditions: $T_J = 70^\circ\text{C}$, Worst-Case VCC = 1.425 V,
 Worst-Case VCCI = 3.0 V

| I/O Standard | Drive Strength (mA) | Equivalent Software Default t Drive Strength Option ¹ | Slew Rate | Capacitive Load (pF) | t _{pOUT} | t _{pP} | t _{pIN} | t _{pY} | t _{pYS} | t _{EOUT} | t _{ZL} | t _{ZH} | t _{LZ} | t _{HZ} | Units |
|---|---------------------|---|-----------|----------------------|-------------------|-----------------|------------------|-----------------|------------------|-------------------|-----------------|-----------------|-----------------|-----------------|-------|
| 3.3 V LVTTTL / 3.3 V LVCMOS | 8 mA | 8 mA | High | 5 pF | 0.97 | 1.79 | 0.19 | 0.86 | 1.16 | 0.66 | 1.83 | 1.45 | 1.98 | 2.38 | ns |
| 3.3 V LVCMOS Wide Range ² | 100 μA | 8 mA | High | 5 pF | 0.97 | 2.56 | 0.19 | 1.20 | 1.66 | 0.66 | 2.57 | 2.02 | 2.82 | 3.31 | ns |
| 2.5 V LVCMOS | 8 mA | 8 mA | High | 5 pF | 0.97 | 1.81 | 0.19 | 1.10 | 1.24 | 0.66 | 1.85 | 1.63 | 1.97 | 2.26 | ns |
| 1.8 V LVCMOS | 4 mA | 4 mA | High | 5 pF | 0.97 | 2.08 | 0.19 | 1.03 | 1.44 | 0.66 | 2.12 | 1.95 | 1.99 | 2.19 | ns |
| 1.5 V LVCMOS | 2 mA | 2 mA | High | 5 pF | 0.97 | 2.39 | 0.19 | 1.19 | 1.52 | 0.66 | 2.44 | 2.24 | 2.02 | 2.15 | ns |

Notes:

1. The minimum drive strength for any LVCMOS 1.2 V or LVCMOS 3.3 V software configuration when run in wide range is $\pm 100 \mu\text{A}$. Drive strength displayed in the software is supported for normal range only. For a detailed I/V curve, refer to the IBIS models.
2. All LVCMOS 3.3 V software macros support LVCMOS 3.3 V wide range, as specified in the JESD8-B specification.
3. For specific junction temperature and voltage supply levels, refer to [Table 2-6 on page 2-6](#) for derating values.

Applies to IGLOO nano at 1.2 V Core Operating Conditions
Table 2-26 • Summary of I/O Timing Characteristics—Software Default Settings
 STD Speed Grade, Commercial-Case Conditions: $T_J = 70^\circ\text{C}$, Worst-Case VCC = 1.14 V,
 Worst-Case VCCI = 3.0 V

| I/O Standard | Drive Strength (mA) | Equiv. Software Default Drive Strength Option ¹ | Slew Rate | Capacitive Load (pF) | t_{DOUT} | t_{DP} | t_{DIN} | t_{PY} | t_{PYS} | t_{EOUT} | t_{ZL} | t_{ZH} | t_{LZ} | t_{HZ} | Units |
|--------------------------------------|---------------------|--|-----------|----------------------|------------|----------|-----------|----------|-----------|------------|----------|----------|----------|----------|-------|
| 3.3 V LVTTTL / 3.3 V LVCMOS | 8 mA | 8 mA | High | 5 pF | 1.55 | 2.31 | 0.26 | 0.97 | 1.36 | 1.10 | 2.34 | 1.90 | 2.43 | 3.14 | ns |
| 3.3 V LVCMOS Wide Range ² | 100 μA | 8 mA | High | 5 pF | 1.55 | 3.25 | 0.26 | 1.31 | 1.91 | 1.10 | 3.25 | 2.61 | 3.38 | 4.27 | ns |
| 2.5 V LVCMOS | 8 mA | 8 mA | High | 5 pF | 1.55 | 2.30 | 0.26 | 1.21 | 1.39 | 1.10 | 2.33 | 2.04 | 2.41 | 2.99 | ns |
| 1.8 V LVCMOS | 4 mA | 4 mA | High | 5 pF | 1.55 | 2.49 | 0.26 | 1.13 | 1.59 | 1.10 | 2.53 | 2.34 | 2.42 | 2.81 | ns |
| 1.5 V LVCMOS | 2 mA | 2 mA | High | 5 pF | 1.55 | 2.78 | 0.26 | 1.27 | 1.77 | 1.10 | 2.82 | 2.62 | 2.44 | 2.74 | ns |
| 1.2 V LVCMOS | 1 mA | 1 mA | High | 5 pF | 1.55 | 3.50 | 0.26 | 1.56 | 2.27 | 1.10 | 3.37 | 3.10 | 2.55 | 2.66 | ns |
| 1.2 V LVCMOS Wide Range ³ | 100 μA | 1 mA | High | 5 pF | 1.55 | 3.50 | 0.26 | 1.56 | 2.27 | 1.10 | 3.37 | 3.10 | 2.55 | 2.66 | ns |

Notes:

1. The minimum drive strength for any LVCMOS 1.2 V or LVCMOS 3.3 V software configuration when run in wide range is $\pm 100 \mu\text{A}$. Drive strength displayed in the software is supported for normal range only. For a detailed I/V curve, refer to the IBIS models.
2. All LVCMOS 3.3 V software macros support LVCMOS 3.3 V wide range, as specified in the JESD8-B specification.
3. All LVCMOS 1.2 V software macros support LVCMOS 1.2 V side range as specified in the JESD8-12 specification.
4. For specific junction temperature and voltage supply levels, refer to [Table 2-6 on page 2-6](#) for derating values.

Detailed I/O DC Characteristics

Table 2-27 • Input Capacitance

| Symbol | Definition | Conditions | Min. | Max. | Units |
|-------------|------------------------------------|-----------------------------------|------|------|-------|
| C_{IN} | Input capacitance | $V_{IN} = 0, f = 1.0 \text{ MHz}$ | | 8 | pF |
| C_{INCLK} | Input capacitance on the clock pin | $V_{IN} = 0, f = 1.0 \text{ MHz}$ | | 8 | pF |

Table 2-28 • I/O Output Buffer Maximum Resistances ¹

| Standard | Drive Strength | $R_{PULL-DOWN}$ (Ω) ² | $R_{PULL-UP}$ (Ω) ³ |
|--------------------------------------|----------------|--|--|
| 3.3 V LVTTTL / 3.3V LVCMOS | 2 mA | 100 | 300 |
| | 4 mA | 100 | 300 |
| | 6 mA | 50 | 150 |
| | 8 mA | 50 | 150 |
| 3.3 V LVCMOS Wide Range | 100 μ A | Same as equivalent software default drive | |
| 2.5 V LVCMOS | 2 mA | 100 | 200 |
| | 4 mA | 100 | 200 |
| | 6 mA | 50 | 100 |
| | 8 mA | 50 | 100 |
| 1.8 V LVCMOS | 2 mA | 200 | 225 |
| | 4 mA | 100 | 112 |
| 1.5 V LVCMOS | 2 mA | 200 | 224 |
| 1.2 V LVCMOS ⁴ | 1 mA | 315 | 315 |
| 1.2 V LVCMOS Wide Range ⁴ | 100 μ A | 315 | 315 |

Notes:

1. These maximum values are provided for informational reasons only. Minimum output buffer resistance values depend on V_{CCI} , drive strength selection, temperature, and process. For board design considerations and detailed output buffer resistances, use the corresponding IBIS models posted at <http://www.microsemi.com/soc/download/ibis/default.aspx>.
2. $R_{(PULL-DOWN-MAX)} = (V_{OLspec}) / I_{OLspec}$
3. $R_{(PULL-UP-MAX)} = (V_{CCImax} - V_{OHspec}) / I_{OHspec}$
4. Applicable to IGLOO nano V2 devices operating at $V_{CCI} \geq V_{CC}$.

Table 2-29 • I/O Weak Pull-Up/Pull-Down Resistances
Minimum and Maximum Weak Pull-Up/Pull-Down Resistance Values

| VCCI | $R_{(WEAK\ PULL-UP)}^1 (\Omega)$ | | $R_{(WEAK\ PULL-DOWN)}^2 (\Omega)$ | |
|-------------------------|----------------------------------|-------|------------------------------------|-------|
| | Min. | Max. | Min. | Max. |
| 3.3 V | 10 K | 45 K | 10 K | 45 K |
| 3.3 V (wide range I/Os) | 10 K | 45 K | 10 K | 45 K |
| 2.5 V | 11 K | 55 K | 12 K | 74 K |
| 1.8 V | 18 K | 70 K | 17 K | 110 K |
| 1.5 V | 19 K | 90 K | 19 K | 140 K |
| 1.2 V | 25 K | 110 K | 25 K | 150 K |
| 1.2 V (wide range I/Os) | 19 K | 110 K | 19 K | 150 K |

Notes:

- $R_{(WEAK\ PULL-UP-MAX)} = (VCCI_{max} - VOH_{spec}) / I_{(WEAK\ PULL-UP-MIN)}$
- $R_{(WEAK\ PULL-DOWN-MAX)} = (VOL_{spec}) / I_{(WEAK\ PULL-DOWN-MIN)}$

Table 2-30 • I/O Short Currents IOSH/IOSL

| | Drive Strength | IOSL (mA)* | IOSH (mA)* |
|-----------------------------|----------------|---|------------|
| 3.3 V LVTTTL / 3.3 V LVCMOS | 2 mA | 25 | 27 |
| | 4 mA | 25 | 27 |
| | 6 mA | 51 | 54 |
| | 8 mA | 51 | 54 |
| 3.3 V LVCMOS Wide Range | 100 μ A | Same as equivalent software default drive | |
| 2.5 V LVCMOS | 2 mA | 16 | 18 |
| | 4 mA | 16 | 18 |
| | 6 mA | 32 | 37 |
| | 8 mA | 32 | 37 |
| 1.8 V LVCMOS | 2 mA | 9 | 11 |
| | 4 mA | 17 | 22 |
| 1.5 V LVCMOS | 2 mA | 13 | 16 |
| 1.2 V LVCMOS | 1 mA | 10 | 13 |
| 1.2 V LVCMOS Wide Range | 100 μ A | 10 | 13 |

Note: * $T_J = 100^\circ\text{C}$

The length of time an I/O can withstand IOSH/IOSL events depends on the junction temperature. The reliability data below is based on a 3.3 V, 8 mA I/O setting, which is the worst case for this type of analysis.

For example, at 100°C, the short current condition would have to be sustained for more than six months to cause a reliability concern. The I/O design does not contain any short circuit protection, but such protection would only be needed in extremely prolonged stress conditions.

Table 2-31 • Duration of Short Circuit Event before Failure

| Temperature | Time before Failure |
|-------------|---------------------|
| -40°C | > 20 years |
| -20°C | > 20 years |
| 0°C | > 20 years |
| 25°C | > 20 years |
| 70°C | 5 years |
| 85°C | 2 years |
| 100°C | 6 months |

**Table 2-32 • Schmitt Trigger Input Hysteresis
Hysteresis Voltage Value (Typ.) for Schmitt Mode Input Buffers**

| Input Buffer Configuration | Hysteresis Value (typ.) |
|--|-------------------------|
| 3.3 V LVTTTL / LVCMOS (Schmitt trigger mode) | 240 mV |
| 2.5 V LVCMOS (Schmitt trigger mode) | 140 mV |
| 1.8 V LVCMOS (Schmitt trigger mode) | 80 mV |
| 1.5 V LVCMOS (Schmitt trigger mode) | 60 mV |
| 1.2 V LVCMOS (Schmitt trigger mode) | 40 mV |

Table 2-33 • I/O Input Rise Time, Fall Time, and Related I/O Reliability

| Input Buffer | Input Rise/Fall Time (min.) | Input Rise/Fall Time (max.) | Reliability |
|--|-----------------------------|---|------------------|
| LVTTTL/LVCMOS (Schmitt trigger disabled) | No requirement | 10 ns * | 20 years (100°C) |
| LVTTTL/LVCMOS (Schmitt trigger enabled) | No requirement | No requirement, but input noise voltage cannot exceed Schmitt hysteresis. | 20 years (100°C) |

Note: *The maximum input rise/fall time is related to the noise induced into the input buffer trace. If the noise is low, then the rise time and fall time of input buffers can be increased beyond the maximum value. The longer the rise/fall times, the more susceptible the input signal is to the board noise. Microsemi recommends signal integrity evaluation/characterization of the system to ensure that there is no excessive noise coupling into input signals.

Single-Ended I/O Characteristics

3.3 V LVTTTL / 3.3 V LVCMOS

Low-Voltage Transistor–Transistor Logic (LVTTTL) is a general purpose standard (EIA/JESD) for 3.3 V applications. It uses an LVTTTL input buffer and push-pull output buffer.

Table 2-34 • Minimum and Maximum DC Input and Output Levels

| 3.3 V LVTTTL / 3.3 V LVCMOS | VIL | | VIH | | VOL | VOH | IOL | IOH | IOSL | IOSH | IIL ¹ | IIH ² |
|--------------------------------|-----------|-----------|-----------|-----------|-----------|-----------|-----|-----|-------------------------|-------------------------|------------------|------------------|
| | Min. V | Max. V | Min. V | Max. V | Max. V | Min. V | mA | mA | Max. mA ³ | Max. mA ³ | μA ⁴ | μA ⁴ |
| 2 mA | -0.3 | 0.8 | 2 | 3.6 | 0.4 | 2.4 | 2 | 2 | 25 | 27 | 10 | 10 |
| 4 mA | -0.3 | 0.8 | 2 | 3.6 | 0.4 | 2.4 | 4 | 4 | 25 | 27 | 10 | 10 |
| 6 mA | -0.3 | 0.8 | 2 | 3.6 | 0.4 | 2.4 | 6 | 6 | 51 | 54 | 10 | 10 |
| 8 mA | -0.3 | 0.8 | 2 | 3.6 | 0.4 | 2.4 | 8 | 8 | 51 | 54 | 10 | 10 |

Notes:

- I_{IL} is the input leakage current per I/O pin over recommended operating conditions where $-0.3 < V_{IN} < V_{IL}$.
- I_{IH} is the input leakage current per I/O pin over recommended operating conditions where $V_{IH} < V_{IN} < V_{CCI}$. Input current is larger when operating outside recommended ranges.
- Currents are measured at high temperature (100°C junction temperature) and maximum voltage.
- Currents are measured at 85°C junction temperature.
- Software default selection highlighted in gray.

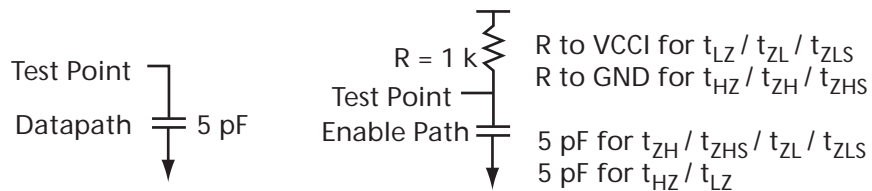


Figure 2-7 • AC Loading

Table 2-35 • 3.3 V LVTTTL/LVCMOS AC Waveforms, Measuring Points, and Capacitive Loads

| Input LOW (V) | Input HIGH (V) | Measuring Point* (V) | C _{LOAD} (pF) |
|---------------|----------------|----------------------|------------------------|
| 0 | 3.3 | 1.4 | 5 |

Note: *Measuring point = V_{trip} . See Table 2-23 on page 2-20 for a complete table of trip points.

Timing Characteristics

Applies to 1.5 V DC Core Voltage

Table 2-36 • 3.3 V LVTTTL / 3.3 V LVCMOS Low Slew – Applies to 1.5 V DC Core Voltage
 Commercial-Case Conditions: $T_J = 70^\circ\text{C}$, Worst-Case VCC = 1.425 V, Worst-Case VCCI = 3.0 V

| Drive Strength | Speed Grade | t_{DOUT} | t_{DP} | t_{DIN} | t_{PY} | t_{PYS} | t_{EOUT} | t_{ZL} | t_{ZH} | t_{LZ} | t_{HZ} | Units |
|----------------|-------------|------------|----------|-----------|----------|-----------|------------|----------|----------|----------|----------|-------|
| 2 mA | STD | 0.97 | 3.52 | 0.19 | 0.86 | 1.16 | 0.66 | 3.59 | 3.42 | 1.75 | 1.90 | ns |
| 4 mA | STD | 0.97 | 3.52 | 0.19 | 0.86 | 1.16 | 0.66 | 3.59 | 3.42 | 1.75 | 1.90 | ns |
| 6 mA | STD | 0.97 | 2.90 | 0.19 | 0.86 | 1.16 | 0.66 | 2.96 | 2.83 | 1.98 | 2.29 | ns |
| 8 mA | STD | 0.97 | 2.90 | 0.19 | 0.86 | 1.16 | 0.66 | 2.96 | 2.83 | 1.98 | 2.29 | ns |

Note: For specific junction temperature and voltage supply levels, refer to Table 2-6 on page 2-6 for derating values.

Table 2-37 • 3.3 V LVTTTL / 3.3 V LVCMOS High Slew – Applies to 1.5 V DC Core Voltage
 Commercial-Case Conditions: $T_J = 70^\circ\text{C}$, Worst-Case VCC = 1.425 V, Worst-Case VCCI = 3.0 V

| Drive Strength | Speed Grade | t_{DOUT} | t_{DP} | t_{DIN} | t_{PY} | t_{PYS} | t_{EOUT} | t_{ZL} | t_{ZH} | t_{LZ} | t_{HZ} | Units |
|----------------|-------------|------------|----------|-----------|----------|-----------|------------|----------|----------|----------|----------|-------|
| 2 mA | STD | 0.97 | 2.16 | 0.19 | 0.86 | 1.16 | 0.66 | 2.20 | 1.80 | 1.75 | 1.99 | ns |
| 4 mA | STD | 0.97 | 2.16 | 0.19 | 0.86 | 1.16 | 0.66 | 2.20 | 1.80 | 1.75 | 1.99 | ns |
| 6 mA | STD | 0.97 | 1.79 | 0.19 | 0.86 | 1.16 | 0.66 | 1.83 | 1.45 | 1.98 | 2.38 | ns |
| 8 mA | STD | 0.97 | 1.79 | 0.19 | 0.86 | 1.16 | 0.66 | 1.83 | 1.45 | 1.98 | 2.38 | ns |

Notes:

1. Software default selection highlighted in gray.
2. For specific junction temperature and voltage supply levels, refer to Table 2-6 on page 2-6 for derating values.

Applies to 1.2 V DC Core Voltage
Table 2-38 • 3.3 V LVTTTL / 3.3 V LVCMOS Low Slew – Applies to 1.2 V DC Core Voltage
 Commercial-Case Conditions: $T_J = 70^\circ\text{C}$, Worst-Case VCC = 1.14 V, Worst-Case VCCI = 3.0 V

| Drive Strength | Speed Grade | t_{DOUT} | t_{DP} | t_{DIN} | t_{PY} | t_{PYS} | t_{EOUT} | t_{zL} | t_{zH} | t_{LZ} | t_{HZ} | Units |
|----------------|-------------|------------|----------|-----------|----------|-----------|------------|----------|----------|----------|----------|-------|
| 2 mA | STD | 1.55 | 4.09 | 0.26 | 0.97 | 1.36 | 1.10 | 4.16 | 3.91 | 2.19 | 2.64 | ns |
| 4 mA | STD | 1.55 | 4.09 | 0.26 | 0.97 | 1.36 | 1.10 | 4.16 | 3.91 | 2.19 | 2.64 | ns |
| 6 mA | STD | 1.55 | 3.45 | 0.26 | 0.97 | 1.36 | 1.10 | 3.51 | 3.32 | 2.43 | 3.03 | ns |
| 8 mA | STD | 1.55 | 3.45 | 0.26 | 0.97 | 1.36 | 1.10 | 3.51 | 3.32 | 2.43 | 3.03 | ns |

Note: For specific junction temperature and voltage supply levels, refer to [Table 2-6 on page 2-6](#) for derating values.

Table 2-39 • 3.3 V LVTTTL / 3.3 V LVCMOS High Slew – Applies to 1.2 V DC Core Voltage
 Commercial-Case Conditions: $T_J = 70^\circ\text{C}$, Worst-Case VCC = 1.14 V, Worst-Case VCCI = 3.0 V

| Drive Strength | Speed Grade | t_{DOUT} | t_{DP} | t_{DIN} | t_{PY} | t_{PYS} | t_{EOUT} | t_{zL} | t_{zH} | t_{LZ} | t_{HZ} | Units |
|----------------|-------------|------------|----------|-----------|----------|-----------|------------|----------|----------|----------|----------|-------|
| 2 mA | STD | 1.55 | 2.68 | 0.26 | 0.97 | 1.36 | 1.10 | 2.72 | 2.26 | 2.19 | 2.74 | ns |
| 4 mA | STD | 1.55 | 2.68 | 0.26 | 0.97 | 1.36 | 1.10 | 2.72 | 2.26 | 2.19 | 2.74 | ns |
| 6 mA | STD | 1.55 | 2.31 | 0.26 | 0.97 | 1.36 | 1.10 | 2.34 | 1.90 | 2.43 | 3.14 | ns |
| 8 mA | STD | 1.55 | 2.31 | 0.26 | 0.97 | 1.36 | 1.10 | 2.34 | 1.90 | 2.43 | 3.14 | ns |

Notes:

1. Software default selection highlighted in gray.
2. For specific junction temperature and voltage supply levels, refer to [Table 2-6 on page 2-6](#) for derating values.

3.3 V LVCMOS Wide Range

Table 2-40 • Minimum and Maximum DC Input and Output Levels for LVCMOS 3.3 V Wide Range

| 3.3 V LVCMOS Wide Range ¹ | Equivalent Software Default Drive Strength Option ⁴ | VIL | | VIH | | VOL | VOH | IOL | IOH | IIL ² | IIH ³ |
|--------------------------------------|--|--------|--------|--------|--------|--------|------------|-----|-----|------------------|------------------|
| | | Min. V | Max. V | Min. V | Max. V | Max. V | Min. V | μA | μA | μA ⁵ | μA ⁵ |
| | 2 mA | -0.3 | 0.8 | 2 | 3.6 | 0.2 | VCCI - 0.2 | 100 | 100 | 10 | 10 |
| | 4 mA | -0.3 | 0.8 | 2 | 3.6 | 0.2 | VCCI - 0.2 | 100 | 100 | 10 | 10 |
| | 6 mA | -0.3 | 0.8 | 2 | 3.6 | 0.2 | VCCI - 0.2 | 100 | 100 | 10 | 10 |
| | 8 mA | -0.3 | 0.8 | 2 | 3.6 | 0.2 | VCCI - 0.2 | 100 | 100 | 10 | 10 |

Notes:

1. All LVCMOS 3.3 V software macros support LVCMOS 3.3 V Wide Range, as specified in the JEDEC JESD8-B specification.
2. I_{IL} is the input leakage current per I/O pin over recommended operating conditions where $-0.3 < V_{IN} < V_{IL}$.
3. I_{IH} is the input leakage current per I/O pin over recommended operating conditions where $V_{IH} < V_{IN} < V_{CCI}$. Input current is larger when operating outside recommended ranges.
4. The minimum drive strength for any LVCMOS 3.3 V software configuration when run in wide range is $\pm 100 \mu A$. Drive strength displayed in the software is supported for normal range only. For a detailed I/V curve, refer to the IBIS models.
5. Currents are measured at 85°C junction temperature.
6. Software default selection is highlighted in gray.

Timing Characteristics

Applies to 1.5 V DC Core Voltage

Table 2-41 • 3.3 V LVC MOS Wide Range Low Slew – Applies to 1.5 V DC Core Voltage

Commercial-Case Conditions: $T_J = 70^\circ\text{C}$, Worst-Case VCC = 1.425 V, Worst-Case VCCI = 2.7 V

| Drive Strength | Equivalent Software Default Drive Strength Option ¹ | Speed Grade | t_{DOUT} | t_{DP} | t_{DIN} | t_{PY} | t_{PYS} | t_{EOUT} | t_{ZL} | t_{ZH} | t_{LZ} | t_{HZ} | Units |
|-------------------|--|-------------|------------|----------|-----------|----------|-----------|------------|----------|----------|----------|----------|-------|
| 100 μA | 2 mA | STD | 0.97 | 5.23 | 0.19 | 1.20 | 1.66 | 0.66 | 5.24 | 5.00 | 2.47 | 2.56 | ns |
| 100 μA | 4 mA | STD | 0.97 | 5.23 | 0.19 | 1.20 | 1.66 | 0.66 | 5.24 | 5.00 | 2.47 | 2.56 | ns |
| 100 μA | 6 mA | STD | 0.97 | 4.27 | 0.19 | 1.20 | 1.66 | 0.66 | 4.28 | 4.12 | 2.83 | 3.16 | ns |
| 100 μA | 8 mA | STD | 0.97 | 4.27 | 0.19 | 1.20 | 1.66 | 0.66 | 4.28 | 4.12 | 2.83 | 3.16 | ns |

Notes:

1. The minimum drive strength for any LVC MOS 3.3 V software configuration when run in wide range is $\pm 100 \mu\text{A}$. Drive strength displayed in the software is supported for normal range only. For a detailed I/V curve, refer to the IBIS models.
2. For specific junction temperature and voltage supply levels, refer to [Table 2-6 on page 2-6](#) for derating values.

Table 2-42 • 3.3 V LVC MOS Wide Range High Slew – Applies to 1.5 V DC Core Voltage

Commercial-Case Conditions: $T_J = 70^\circ\text{C}$, Worst-Case VCC = 1.425 V, Worst-Case VCCI = 2.7 V

| Drive Strength | Equivalent Software Default Drive Strength Option ¹ | Speed Grade | t_{DOUT} | t_{DP} | t_{DIN} | t_{PY} | t_{PYS} | t_{EOUT} | t_{ZL} | t_{ZH} | t_{LZ} | t_{HZ} | Units |
|-------------------|--|-------------|------------|----------|-----------|----------|-----------|------------|----------|----------|----------|----------|-------|
| 100 μA | 2 mA | STD | 0.97 | 3.11 | 0.19 | 1.20 | 1.66 | 0.66 | 3.13 | 2.55 | 2.47 | 2.70 | ns |
| 100 μA | 4 mA | STD | 0.97 | 3.11 | 0.19 | 1.20 | 1.66 | 0.66 | 3.13 | 2.55 | 2.47 | 2.70 | ns |
| 100 μA | 6 mA | STD | 0.97 | 2.56 | 0.19 | 1.20 | 1.66 | 0.66 | 2.57 | 2.02 | 2.82 | 3.31 | ns |
| 100 μA | 8 mA | STD | 0.97 | 2.56 | 0.19 | 1.20 | 1.66 | 0.66 | 2.57 | 2.02 | 2.82 | 3.31 | ns |

Notes:

1. The minimum drive strength for any LVC MOS 3.3 V software configuration when run in wide range is $\pm 100 \mu\text{A}$. Drive strength displayed in the software is supported for normal range only. For a detailed I/V curve, refer to the IBIS models.
2. For specific junction temperature and voltage supply levels, refer to [Table 2-6 on page 2-6](#) for derating values.
3. Software default selection highlighted in gray.

Applies to 1.2 V DC Core Voltage

Table 2-43 • 3.3 V LVC MOS Wide Range Low Slew – Applies to 1.2 V DC Core Voltage
 Commercial-Case Conditions: $T_J = 70^\circ\text{C}$, Worst-Case VCC = 1.14 V, Worst-Case VCCI = 2.7 V

| Drive Strength | Equivalent Software Default Drive Strength Option ¹ | Speed Grade | t_{DOUT} | t_{DP} | t_{DIN} | t_{PY} | t_{PYS} | t_{EOUT} | t_{ZL} | t_{ZH} | t_{LZ} | t_{HZ} | Units |
|-------------------|--|-------------|------------|----------|-----------|----------|-----------|------------|----------|----------|----------|----------|-------|
| 100 μA | 2 mA | STD | 1.55 | 6.01 | 0.26 | 1.31 | 1.91 | 1.10 | 6.01 | 5.66 | 3.02 | 3.49 | ns |
| 100 μA | 4 mA | STD | 1.55 | 6.01 | 0.26 | 1.31 | 1.91 | 1.10 | 6.01 | 5.66 | 3.02 | 3.49 | ns |
| 100 μA | 6 mA | STD | 1.55 | 5.02 | 0.26 | 1.31 | 1.91 | 1.10 | 5.02 | 4.76 | 3.38 | 4.10 | ns |
| 100 μA | 8 mA | STD | 1.55 | 5.02 | 0.26 | 1.31 | 1.91 | 1.10 | 5.02 | 4.76 | 3.38 | 4.10 | ns |

Notes:

1. The minimum drive strength for any LVC MOS 3.3 V software configuration when run in wide range is $\pm 100 \mu\text{A}$. Drive strength displayed in the software is supported for normal range only. For a detailed I/V curve, refer to the IBIS models.
2. For specific junction temperature and voltage supply levels, refer to [Table 2-6 on page 2-6](#) for derating values.

Table 2-44 • 3.3 V LVC MOS Wide Range High Slew – Applies to 1.2 V DC Core Voltage
 Commercial-Case Conditions: $T_J = 70^\circ\text{C}$, Worst-Case VCC = 1.14 V, Worst-Case VCCI = 2.7 V

| Drive Strength | Equivalent Software Default Drive Strength Option ¹ | Speed Grade | t_{DOUT} | t_{DP} | t_{DIN} | t_{PY} | t_{PYS} | t_{EOUT} | t_{ZL} | t_{ZH} | t_{LZ} | t_{HZ} | Units |
|-------------------|--|-------------|------------|----------|-----------|----------|-----------|------------|----------|----------|----------|----------|-------|
| 100 μA | 2 mA | STD | 1.55 | 3.82 | 0.26 | 1.31 | 1.91 | 1.10 | 3.82 | 3.15 | 3.01 | 3.65 | ns |
| 100 μA | 4 mA | STD | 1.55 | 3.82 | 0.26 | 1.31 | 1.91 | 1.10 | 3.82 | 3.15 | 3.01 | 3.65 | ns |
| 100 μA | 6 mA | STD | 1.55 | 3.25 | 0.26 | 1.31 | 1.91 | 1.10 | 3.25 | 2.61 | 3.38 | 4.27 | ns |
| 100 μA | 8 mA | STD | 1.55 | 3.25 | 0.26 | 1.31 | 1.91 | 1.10 | 3.25 | 2.61 | 3.38 | 4.27 | ns |

Notes:

1. The minimum drive strength for any LVC MOS 3.3 V software configuration when run in wide range is $\pm 100 \mu\text{A}$. Drive strength displayed in the software is supported for normal range only. For a detailed I/V curve, refer to the IBIS models.
2. For specific junction temperature and voltage supply levels, refer to [Table 2-6 on page 2-6](#) for derating values.
3. Software default selection highlighted in gray.

2.5 V LVCMOS

Low-Voltage CMOS for 2.5 V is an extension of the LVCMOS standard (JESD8-5) used for general purpose 2.5 V applications.

Table 2-45 • Minimum and Maximum DC Input and Output Levels

| 2.5 V LVCMOS | VIL | | VIH | | VOL | VOH | IOL | IOH | IOSL | IOSH | IIL ¹ | IIH ² |
|-----------------|---------|---------|---------|---------|---------|---------|-----|-----|-----------------------|-----------------------|------------------|------------------|
| | Min., V | Max., V | Min., V | Max., V | Max., V | Min., V | mA | mA | Max., mA ³ | Max., mA ³ | μA ⁴ | μA ⁴ |
| 2 mA | -0.3 | 0.7 | 1.7 | 3.6 | 0.7 | 1.7 | 2 | 2 | 16 | 18 | 10 | 10 |
| 4 mA | -0.3 | 0.7 | 1.7 | 3.6 | 0.7 | 1.7 | 4 | 4 | 16 | 18 | 10 | 10 |
| 6 mA | -0.3 | 0.7 | 1.7 | 3.6 | 0.7 | 1.7 | 6 | 6 | 32 | 37 | 10 | 10 |
| 8 mA | -0.3 | 0.7 | 1.7 | 3.6 | 0.7 | 1.7 | 8 | 8 | 32 | 37 | 10 | 10 |

Notes:

1. I_{IL} is the input leakage current per I/O pin over recommended operating conditions where $-0.3 < V_{IN} < V_{IL}$.
2. I_{IH} is the input leakage current per I/O pin over recommended operating conditions where $V_{IH} < V_{IN} < V_{CCI}$. Input current is larger when operating outside recommended ranges.
3. Currents are measured at high temperature (100°C junction temperature) and maximum voltage.
4. Currents are measured at 85°C junction temperature.
5. Software default selection highlighted in gray.

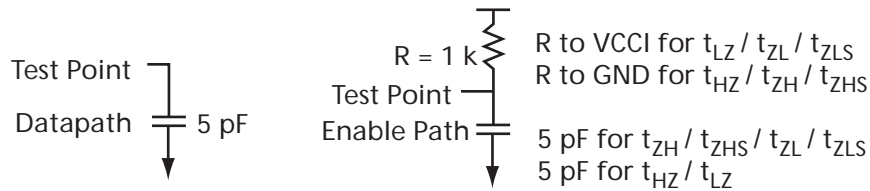


Figure 2-8 • AC Loading

Table 2-46 • 2.5 V LVCMOS AC Waveforms, Measuring Points, and Capacitive Loads

| Input LOW (V) | Input HIGH (V) | Measuring Point* (V) | C _{LOAD} (pF) |
|---------------|----------------|----------------------|------------------------|
| 0 | 2.5 | 1.2 | 5 |

Note: *Measuring point = V_{trip} . See Table 2-23 on page 2-20 for a complete table of trip points.

Timing Characteristics

Applies to 1.5 V DC Core Voltage

Table 2-47 • 2.5 V LVC MOS Low Slew – Applies to 1.5 V DC Core Voltage

Commercial-Case Conditions: $T_J = 70^\circ\text{C}$, Worst-Case VCC = 1.425 V, Worst-Case VCCI = 2.3 V

| Drive Strength | Speed Grade | t_{DOUT} | t_{DP} | t_{DIN} | t_{PY} | t_{PYS} | t_{EOUT} | t_{ZL} | t_{ZH} | t_{LZ} | t_{HZ} | Units |
|----------------|-------------|------------|----------|-----------|----------|-----------|------------|----------|----------|----------|----------|-------|
| 2 mA | STD | 0.97 | 4.13 | 0.19 | 1.10 | 1.24 | 0.66 | 4.01 | 4.13 | 1.73 | 1.74 | ns |
| 4 mA | STD | 0.97 | 4.13 | 0.19 | 1.10 | 1.24 | 0.66 | 4.01 | 4.13 | 1.73 | 1.74 | ns |
| 8 mA | STD | 0.97 | 3.39 | 0.19 | 1.10 | 1.24 | 0.66 | 3.31 | 3.39 | 1.98 | 2.19 | ns |
| 8 mA | STD | 0.97 | 3.39 | 0.19 | 1.10 | 1.24 | 0.66 | 3.31 | 3.39 | 1.98 | 2.19 | ns |

Note: For specific junction temperature and voltage supply levels, refer to Table 2-6 on page 2-6 for derating values.

Table 2-48 • 2.5 V LVC MOS High Slew – Applies to 1.5 V DC Core Voltage

Commercial-Case Conditions: $T_J = 70^\circ\text{C}$, Worst-Case VCC = 1.425 V, Worst-Case VCCI = 2.3 V

| Drive Strength | Speed Grade | t_{DOUT} | t_{DP} | t_{DIN} | t_{PY} | t_{PYS} | t_{EOUT} | t_{ZL} | t_{ZH} | t_{LZ} | t_{HZ} | Units |
|----------------|-------------|------------|----------|-----------|----------|-----------|------------|----------|----------|----------|----------|-------|
| 2 mA | STD | 0.97 | 2.19 | 0.19 | 1.10 | 1.24 | 0.66 | 2.23 | 2.11 | 1.72 | 1.80 | ns |
| 4 mA | STD | 0.97 | 2.19 | 0.19 | 1.10 | 1.24 | 0.66 | 2.23 | 2.11 | 1.72 | 1.80 | ns |
| 6 mA | STD | 0.97 | 1.81 | 0.19 | 1.10 | 1.24 | 0.66 | 1.85 | 1.63 | 1.97 | 2.26 | ns |
| 8 mA | STD | 0.97 | 1.81 | 0.19 | 1.10 | 1.24 | 0.66 | 1.85 | 1.63 | 1.97 | 2.26 | ns |

Notes:

- Software default selection highlighted in gray.
- For specific junction temperature and voltage supply levels, refer to Table 2-6 on page 2-6 for derating values.

Applies to 1.2 V DC Core Voltage
Table 2-49 • 2.5 LVCMOS Low Slew – Applies to 1.2 V DC Core Voltage

 Commercial-Case Conditions: $T_J = 70^\circ\text{C}$, Worst-Case VCC = 1.14 V, Worst-Case VCCI = 2.3 V

| Drive Strength | Speed Grade | t_{DOUT} | t_{DP} | t_{DIN} | t_{PY} | t_{PYS} | t_{EOUT} | t_{zL} | t_{zH} | t_{LZ} | t_{HZ} | Units |
|----------------|-------------|------------|----------|-----------|----------|-----------|------------|----------|----------|----------|----------|-------|
| 2 mA | STD | 1.55 | 4.61 | 0.26 | 1.21 | 1.39 | 1.10 | 4.55 | 4.61 | 2.15 | 2.43 | ns |
| 4 mA | STD | 1.55 | 4.61 | 0.26 | 1.21 | 1.39 | 1.10 | 4.55 | 4.61 | 2.15 | 2.43 | ns |
| 6 mA | STD | 1.55 | 3.86 | 0.26 | 1.21 | 1.39 | 1.10 | 3.82 | 3.86 | 2.41 | 2.89 | ns |
| 8 mA | STD | 1.55 | 3.86 | 0.26 | 1.21 | 1.39 | 1.10 | 3.82 | 3.86 | 2.41 | 2.89 | ns |

Note: For specific junction temperature and voltage supply levels, refer to [Table 2-6 on page 2-6](#) for derating values.

Table 2-50 • 2.5 V LVCMOS High Slew – Applies to 1.2 V DC Core Voltage

 Commercial-Case Conditions: $T_J = 70^\circ\text{C}$, Worst-Case VCC = 1.14 V, Worst-Case VCCI = 2.3 V

| Drive Strength | Speed Grade | t_{DOUT} | t_{DP} | t_{DIN} | t_{PY} | t_{PYS} | t_{EOUT} | t_{zL} | t_{zH} | t_{LZ} | t_{HZ} | Units |
|----------------|-------------|------------|----------|-----------|----------|-----------|------------|----------|----------|----------|----------|-------|
| 2 mA | STD | 1.55 | 2.68 | 0.26 | 1.21 | 1.39 | 1.10 | 2.72 | 2.54 | 2.15 | 2.51 | ns |
| 4 mA | STD | 1.55 | 2.68 | 0.26 | 1.21 | 1.39 | 1.10 | 2.72 | 2.54 | 2.15 | 2.51 | ns |
| 6 mA | STD | 1.55 | 2.30 | 0.26 | 1.21 | 1.39 | 1.10 | 2.33 | 2.04 | 2.41 | 2.99 | ns |
| 8 mA | STD | 1.55 | 2.30 | 0.26 | 1.21 | 1.39 | 1.10 | 2.33 | 2.04 | 2.41 | 2.99 | ns |

Notes:

1. Software default selection highlighted in gray.
2. For specific junction temperature and voltage supply levels, refer to [Table 2-6 on page 2-6](#) for derating values.

1.8 V LVCMOS

Low-voltage CMOS for 1.8 V is an extension of the LVCMOS standard (JESD8-5) used for general purpose 1.8 V applications. It uses a 1.8 V input buffer and a push-pull output buffer.

Table 2-51 • Minimum and Maximum DC Input and Output Levels

| 1.8 V LVCMOS | VIL | | VIH | | VOL | VOH | IOL | IOH | IOSL | IOSH | IIL ¹ | I _{IH} ² |
|-----------------|-----------|-------------|-------------|-----------|-----------|-------------|-----|-----|-------------------------|-------------------------|------------------|------------------------------|
| | Min. V | Max. V | Min. V | Max. V | Max. V | Min. V | mA | mA | Max. mA ³ | Max. mA ³ | μA ⁴ | μA ⁴ |
| 2 mA | -0.3 | 0.35 * VCCI | 0.65 * VCCI | 3.6 | 0.45 | VCCI - 0.45 | 2 | 2 | 9 | 11 | 10 | 10 |
| 4 mA | -0.3 | 0.35 * VCCI | 0.65 * VCCI | 3.6 | 0.45 | VCCI - 0.45 | 4 | 4 | 17 | 22 | 10 | 10 |

Notes:

1. I_{IL} is the input leakage current per I/O pin over recommended operating conditions where $-0.3 < V_{IN} < V_{IL}$.
2. I_{IH} is the input leakage current per I/O pin over recommended operating conditions where $V_{IH} < V_{IN} < V_{CCI}$. Input current is larger when operating outside recommended ranges.
3. Currents are measured at high temperature (100°C junction temperature) and maximum voltage.
4. Currents are measured at 85°C junction temperature.
5. Software default selection highlighted in gray.

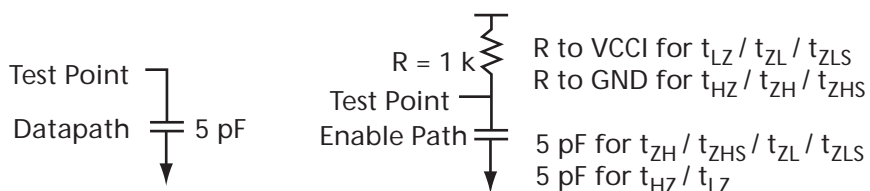


Figure 2-9 • AC Loading

Table 2-52 • 1.8 V LVCMOS AC Waveforms, Measuring Points, and Capacitive Loads

| Input LOW (V) | Input HIGH (V) | Measuring Point* (V) | C _{LOAD} (pF) |
|---------------|----------------|----------------------|------------------------|
| 0 | 1.8 | 0.9 | 5 |

Note: *Measuring point = V_{trip} . See Table 2-23 on page 2-20 for a complete table of trip points.

Timing Characteristics

Applies to 1.5 V DC Core Voltage

Table 2-53 • 1.8 V LVCMOS Low Slew – Applies to 1.5 V DC Core Voltage

Commercial-Case Conditions: $T_J = 70^\circ\text{C}$, Worst-Case VCC = 1.425 V, Worst-Case VCCI = 1.7 V

| Drive Strength | Speed Grade | t_{DOUT} | t_{DP} | t_{DIN} | t_{PY} | t_{PYS} | t_{EOUT} | t_{ZL} | t_{ZH} | t_{LZ} | t_{HZ} | Units |
|----------------|-------------|------------|----------|-----------|----------|-----------|------------|----------|----------|----------|----------|-------|
| 2 mA | STD | 0.97 | 5.44 | 0.19 | 1.03 | 1.44 | 0.66 | 5.25 | 5.44 | 1.69 | 1.35 | ns |
| 4 mA | STD | 0.97 | 4.44 | 0.19 | 1.03 | 1.44 | 0.66 | 4.37 | 4.44 | 1.99 | 2.11 | ns |

Note: For specific junction temperature and voltage supply levels, refer to [Table 2-6 on page 2-6](#) for derating values.

Table 2-54 • 1.8 V LVCMOS High Slew – Applies to 1.5 V DC Core Voltage

Commercial-Case Conditions: $T_J = 70^\circ\text{C}$, Worst-Case VCC = 1.425 V, Worst-Case VCCI = 1.7 V

| Drive Strength | Speed Grade | t_{DOUT} | t_{DP} | t_{DIN} | t_{PY} | t_{PYS} | t_{EOUT} | t_{ZL} | t_{ZH} | t_{LZ} | t_{HZ} | Units |
|----------------|-------------|------------|----------|-----------|----------|-----------|------------|----------|----------|----------|----------|-------|
| 2 mA | STD | 0.97 | 2.64 | 0.19 | 1.03 | 1.44 | 0.66 | 2.59 | 2.64 | 1.69 | 1.40 | ns |
| 4 mA | STD | 0.97 | 2.08 | 0.19 | 1.03 | 1.44 | 0.66 | 2.12 | 1.95 | 1.99 | 2.19 | ns |

Notes:

1. Software default selection highlighted in gray.
2. For specific junction temperature and voltage supply levels, refer to [Table 2-6 on page 2-6](#) for derating values.

Applies to 1.2 V DC Core Voltage

Table 2-55 • 1.8 V LVCMOS Low Slew – Applies to 1.2 V DC Core Voltage

Commercial-Case Conditions: $T_J = 70^\circ\text{C}$, Worst-Case VCC = 1.14 V, Worst-Case VCCI = 1.7 V

| Drive Strength | Speed Grade | t_{DOUT} | t_{DP} | t_{DIN} | t_{PY} | t_{PYS} | t_{EOUT} | t_{ZL} | t_{ZH} | t_{LZ} | t_{HZ} | Units |
|----------------|-------------|------------|----------|-----------|----------|-----------|------------|----------|----------|----------|----------|-------|
| 2 mA | STD | 1.55 | 5.92 | 0.26 | 1.13 | 1.59 | 1.10 | 5.72 | 5.92 | 2.11 | 1.95 | ns |
| 4 mA | STD | 1.55 | 4.91 | 0.26 | 1.13 | 1.59 | 1.10 | 4.82 | 4.91 | 2.42 | 2.73 | ns |

Note: For specific junction temperature and voltage supply levels, refer to [Table 2-6 on page 2-6](#) for derating values.

Table 2-56 • 1.8 V LVCMOS High Slew – Applies to 1.2 V DC Core Voltage

Commercial-Case Conditions: $T_J = 70^\circ\text{C}$, Worst-Case VCC = 1.14 V, Worst-Case VCCI = 1.7 V

| Drive Strength | Speed Grade | t_{DOUT} | t_{DP} | t_{DIN} | t_{PY} | t_{PYS} | t_{EOUT} | t_{ZL} | t_{ZH} | t_{LZ} | t_{HZ} | Units |
|----------------|-------------|------------|----------|-----------|----------|-----------|------------|----------|----------|----------|----------|-------|
| 2 mA | STD | 1.55 | 3.05 | 0.26 | 1.13 | 1.59 | 1.10 | 3.01 | 3.05 | 2.10 | 2.00 | ns |
| 4 mA | STD | 1.55 | 2.49 | 0.26 | 1.13 | 1.59 | 1.10 | 2.53 | 2.34 | 2.42 | 2.81 | ns |

Notes:

1. Software default selection highlighted in gray.
2. For specific junction temperature and voltage supply levels, refer to [Table 2-6 on page 2-6](#) for derating values.

1.5 V LVCMOS (JESD8-11)

Low-Voltage CMOS for 1.5 V is an extension of the LVCMOS standard (JESD8-5) used for general purpose 1.5 V applications. It uses a 1.5 V input buffer and a push-pull output buffer.

Table 2-57 • Minimum and Maximum DC Input and Output Levels

| 1.5 V LVCMOS | VIL | | VIH | | VOL | VOH | IOL | IOH | IOSL | IOSH | IIL ¹ | IIH ² |
|-----------------|-----------|-------------|-------------|-----------|-------------|-------------|-----|-----|-------------------------|-------------------------|------------------|------------------|
| | Min. V | Max. V | Min. V | Max. V | Max. V | Min. V | mA | mA | Max. mA ³ | Max. mA ³ | μA ⁴ | μA ⁴ |
| 2 mA | -0.3 | 0.35 * VCCI | 0.65 * VCCI | 3.6 | 0.25 * VCCI | 0.75 * VCCI | 2 | 2 | 13 | 16 | 10 | 10 |

Notes:

1. I_{IL} is the input leakage current per I/O pin over recommended operating conditions where $-0.3 < V_{IN} < V_{IL}$.
2. IIH is the input leakage current per I/O pin over recommended operating conditions where $V_{IH} < V_{IN} < V_{CCI}$. Input current is larger when operating outside recommended ranges.
3. Currents are measured at high temperature (100°C junction temperature) and maximum voltage.
4. Currents are measured at 85°C junction temperature.
5. Software default selection highlighted in gray.

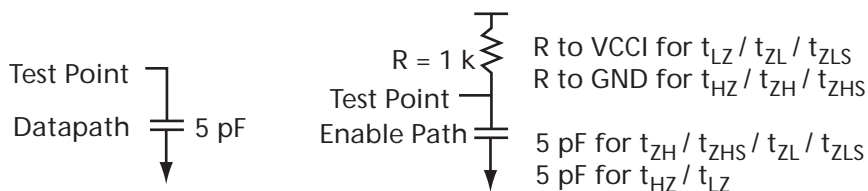


Figure 2-10 • AC Loading

Table 2-58 • 1.5 V LVCMOS AC Waveforms, Measuring Points, and Capacitive Loads

| Input LOW (V) | Input HIGH (V) | Measuring Point* (V) | C _{LOAD} (pF) |
|---------------|----------------|----------------------|------------------------|
| 0 | 1.5 | 0.75 | 5 |

Note: *Measuring point = V_{trip} . See Table 2-23 on page 2-20 for a complete table of trip points.

Timing Characteristics

Applies to 1.5 V DC Core Voltage

Table 2-59 • 1.5 V LVCMOS Low Slew – Applies to 1.5 V DC Core Voltage

 Commercial-Case Conditions: $T_J = 70^\circ\text{C}$, Worst-Case VCC = 1.425 V, Worst-Case VCCI = 1.4 V

| Drive Strength | Speed Grade | t_{DOUT} | t_{DP} | t_{DIN} | t_{PY} | t_{PYS} | t_{EOUT} | t_{ZL} | t_{ZH} | t_{LZ} | t_{HZ} | Units |
|----------------|-------------|------------|----------|-----------|----------|-----------|------------|----------|----------|----------|----------|-------|
| 2 mA | STD | 0.97 | 5.39 | 0.19 | 1.19 | 1.62 | 0.66 | 5.48 | 5.39 | 2.02 | 2.06 | ns |

Note: For specific junction temperature and voltage supply levels, refer to [Table 2-6 on page 2-6](#) for derating values.

Table 2-60 • 1.5 V LVCMOS High Slew – Applies to 1.5 V DC Core Voltage

 Commercial-Case Conditions: $T_J = 70^\circ\text{C}$, Worst-Case VCC = 1.425 V, Worst-Case VCCI = 1.4 V

| Drive Strength | Speed Grade | t_{DOUT} | t_{DP} | t_{DIN} | t_{PY} | t_{PYS} | t_{EOUT} | t_{ZL} | t_{ZH} | t_{LZ} | t_{HZ} | Units |
|----------------|-------------|------------|----------|-----------|----------|-----------|------------|----------|----------|----------|----------|-------|
| 2 mA | STD | 0.97 | 2.39 | 0.19 | 1.19 | 1.62 | 0.66 | 2.44 | 2.24 | 2.02 | 2.15 | ns |

Notes:

1. Software default selection highlighted in gray.
2. For specific junction temperature and voltage supply levels, refer to [Table 2-6 on page 2-6](#) for derating values.

Applies to 1.2 V DC Core Voltage

Table 2-61 • 1.5 V LVCMOS Low Slew – Applies to 1.2 V DC Core Voltage

 Commercial-Case Conditions: $T_J = 70^\circ\text{C}$, Worst-Case VCC = 1.14 V, Worst-Case VCCI = 1.4 V

| Drive Strength | Speed Grade | t_{DOUT} | t_{DP} | t_{DIN} | t_{PY} | t_{PYS} | t_{EOUT} | t_{ZL} | t_{ZH} | t_{LZ} | t_{HZ} | Units |
|----------------|-------------|------------|----------|-----------|----------|-----------|------------|----------|----------|----------|----------|-------|
| 2 mA | STD | 1.55 | 5.87 | 0.26 | 1.27 | 1.77 | 1.10 | 5.92 | 5.87 | 2.45 | 2.65 | ns |

Note: For specific junction temperature and voltage supply levels, refer to [Table 2-6 on page 2-6](#) for derating values.

Table 2-62 • 1.5 V LVCMOS High Slew – Applies to 1.2 V DC Core Voltage

 Commercial-Case Conditions: $T_J = 70^\circ\text{C}$, Worst-Case VCC = 1.14 V, Worst-Case VCCI = 1.4 V

| Drive Strength | Speed Grade | t_{DOUT} | t_{DP} | t_{DIN} | t_{PY} | t_{PYS} | t_{EOUT} | t_{ZL} | t_{ZH} | t_{LZ} | t_{HZ} | Units |
|----------------|-------------|------------|----------|-----------|----------|-----------|------------|----------|----------|----------|----------|-------|
| 2 mA | STD | 1.55 | 2.78 | 0.26 | 1.27 | 1.77 | 1.10 | 2.82 | 2.62 | 2.44 | 2.74 | ns |

Notes:

1. Software default selection highlighted in gray.
2. For specific junction temperature and voltage supply levels, refer to [Table 2-6 on page 2-6](#) for derating values.

1.2 V LVCMOS (JESD8-12A)

Low-Voltage CMOS for 1.2 V complies with the LVCMOS standard JESD8-12A for general purpose 1.2 V applications. It uses a 1.2 V input buffer and a push-pull output buffer.

Table 2-63 • Minimum and Maximum DC Input and Output Levels

| 1.2 V LVCMOS | VIL | | VIH | | VOL | VOH | IOL | IOH | IOSL | IOSH | IIL ¹ | IIH ² |
|--------------|--------|-------------|-------------|--------|-------------|-------------|-----|-----|----------------------|----------------------|------------------|------------------|
| | Min. V | Max. V | Min. V | Max. V | Max. V | Min. V | mA | mA | Max. mA ³ | Max. mA ³ | μA ⁴ | μA ⁴ |
| 1 mA | -0.3 | 0.35 * VCCI | 0.65 * VCCI | 3.6 | 0.25 * VCCI | 0.75 * VCCI | 1 | 1 | 10 | 13 | 10 | 10 |

Notes:

- I_{IL} is the input leakage current per I/O pin over recommended operating conditions where $-0.3 < V_{IN} < V_{IL}$.
- I_{IH} is the input leakage current per I/O pin over recommended operating conditions where $V_{IH} < V_{IN} < V_{CCI}$. Input current is larger when operating outside recommended ranges.
- Currents are measured at high temperature (100°C junction temperature) and maximum voltage.
- Currents are measured at 85°C junction temperature.
- Software default selection highlighted in gray.

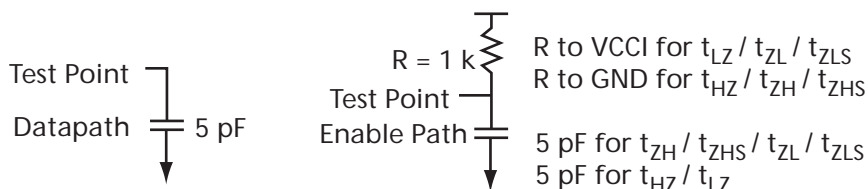


Figure 2-11 • AC Loading

Table 2-64 • 1.2 V LVCMOS AC Waveforms, Measuring Points, and Capacitive Loads

| Input LOW (V) | Input HIGH (V) | Measuring Point* (V) | C _{LOAD} (pF) |
|---------------|----------------|----------------------|------------------------|
| 0 | 1.2 | 0.6 | 5 |

Note: *Measuring point = Vtrip. See Table 2-23 on page 2-20 for a complete table of trip points.

Timing Characteristics

Applies to 1.2 V DC Core Voltage

Table 2-65 • 1.2 V LVCMOS Low Slew

Commercial-Case Conditions: $T_J = 70^\circ\text{C}$, Worst-Case VCC = 1.14 V, Worst-Case VCCI = 1.14 V

| Drive Strength | Speed Grade | t _{DOUT} | t _{DP} | t _{DIN} | t _{PY} | t _{PYS} | t _{EOUT} | t _{ZL} | t _{ZH} | t _{LZ} | t _{HZ} | Units |
|----------------|-------------|-------------------|-----------------|------------------|-----------------|------------------|-------------------|-----------------|-----------------|-----------------|-----------------|-------|
| 1 mA | STD | 1.55 | 8.30 | 0.26 | 1.56 | 2.27 | 1.10 | 7.97 | 7.54 | 2.56 | 2.55 | ns |

Note: For specific junction temperature and voltage supply levels, refer to Table 2-6 on page 2-6 for derating values.

Table 2-66 • 1.2 V LVCMOS High Slew

Commercial-Case Conditions: $T_J = 70^\circ\text{C}$, Worst-Case VCC = 1.14 V, Worst-Case VCCI = 1.14 V

| Drive Strength | Speed Grade | t _{DOUT} | t _{DP} | t _{DIN} | t _{PY} | t _{PYS} | t _{EOUT} | t _{ZL} | t _{ZH} | t _{LZ} | t _{HZ} | Units |
|----------------|-------------|-------------------|-----------------|------------------|-----------------|------------------|-------------------|-----------------|-----------------|-----------------|-----------------|-------|
| 1 mA | STD | 1.55 | 3.50 | 0.26 | 1.56 | 2.27 | 1.10 | 3.37 | 3.10 | 2.55 | 2.66 | ns |

Note: For specific junction temperature and voltage supply levels, refer to Table 2-6 on page 2-6 for derating values.

1.2 V LVCMOS Wide Range

Table 2-67 • Minimum and Maximum DC Input and Output Levels

| 1.2 V LVCMOS Wide Range | VIL | | VIH | | VOL | VOH | IOL | IOH | IOSL | IOSH | IIL ¹ | IIH ² |
|-------------------------|--------|------------|------------|--------|--------|------------|-----|-----|----------------------|----------------------|------------------|------------------|
| | Min. V | Max. V | Min. V | Max. V | Max. V | Min. V | mA | mA | Max. mA ³ | Max. mA ³ | μA ⁴ | μA ⁴ |
| 1 mA | -0.3 | 0.3 * VCCI | 0.7 * VCCI | 3.6 | 0.1 | VCCI - 0.1 | 100 | 100 | 10 | 13 | 10 | 10 |

Notes:

- I_{IL} is the input leakage current per I/O pin over recommended operating conditions where $-0.3 < V_{IN} < V_{IL}$.
- I_{IH} is the input leakage current per I/O pin over recommended operating conditions where $V_{IH} < V_{IN} < V_{CCI}$. Input current is larger when operating outside recommended ranges.
- Currents are measured at high temperature (100°C junction temperature) and maximum voltage.
- Currents are measured at 85°C junction temperature.
- Applicable to IGLOO nano V2 devices operating at $V_{CCI} \geq V_{CC}$.
- Software default selection highlighted in gray.

Timing Characteristics

Applies to 1.2 V DC Core Voltage

Table 2-68 • 1.2 V LVCMOS Wide Range Low Slew – Applies to 1.2 V DC Core Voltage

 Commercial-Case Conditions: $T_J = 70^\circ\text{C}$, Worst-Case VCC = 1.14 V, Worst-Case VCCI = 1.14 V

| Drive Strength | Equivalent Software Default Drive Strength Option ¹ | Speed Grade | t _{DOUT} | t _{DP} | t _{DIN} | t _{PY} | t _{PYS} | t _{EOUT} | t _{ZL} | t _{ZH} | t _{LZ} | t _{HZ} | Units |
|----------------|--|-------------|-------------------|-----------------|------------------|-----------------|------------------|-------------------|-----------------|-----------------|-----------------|-----------------|-------|
| 100 μA | 1 mA | STD | 1.55 | 8.30 | 0.26 | 1.56 | 2.27 | 1.10 | 7.97 | 7.54 | 2.56 | 2.55 | ns |

Notes:

- The minimum drive strength for any LVCMOS 1.2 V software configuration when run in wide range is $\pm 100 \mu\text{A}$. Drive strength displayed in the software is supported for normal range only. For a detailed I/V curve, refer to the IBIS models.
- For specific junction temperature and voltage supply levels, refer to [Table 2-6 on page 2-6](#) for derating values.

Table 2-69 • 1.2 V LVCMOS Wide Range High Slew – Applies to 1.2 V DC Core Voltage

 Commercial-Case Conditions: $T_J = 70^\circ\text{C}$, Worst-Case VCC = 1.14 V, Worst-Case VCCI = 1.14 V

| Drive Strength | Equivalent Software Default Drive Strength Option ¹ | Speed Grade | t _{DOUT} | t _{DP} | t _{DIN} | t _{PY} | t _{PYS} | t _{EOUT} | t _{ZL} | t _{ZH} | t _{LZ} | t _{HZ} | Units |
|----------------|--|-------------|-------------------|-----------------|------------------|-----------------|------------------|-------------------|-----------------|-----------------|-----------------|-----------------|-------|
| 100 μA | 1 mA | STD | 1.55 | 3.50 | 0.26 | 1.56 | 2.27 | 1.10 | 3.37 | 3.10 | 2.55 | 2.66 | ns |

Notes:

- The minimum drive strength for any LVCMOS 1.2 V software configuration when run in wide range is $\pm 100 \mu\text{A}$. Drive strength displayed in the software is supported for normal range only. For a detailed I/V curve, refer to the IBIS models.
- For specific junction temperature and voltage supply levels, refer to [Table 2-6 on page 2-6](#) for derating values.
- Software default selection highlighted in gray.

I/O Register Specifications

Fully Registered I/O Buffers with Asynchronous Preset

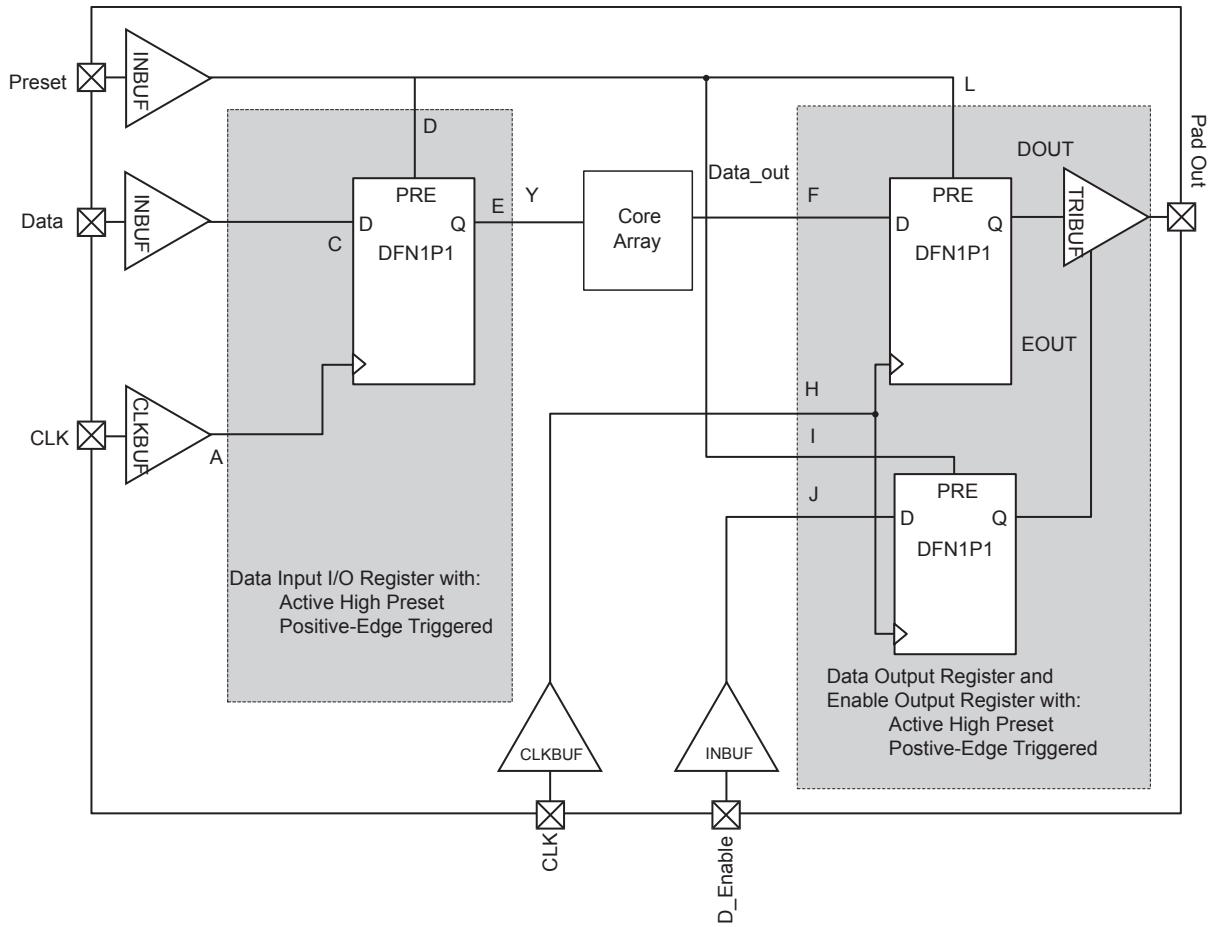


Figure 2-12 • Timing Model of Registered I/O Buffers with Asynchronous Preset

Table 2-70 • Parameter Definition and Measuring Nodes

| Parameter Name | Parameter Definition | Measuring Nodes (from, to)* |
|-----------------------|--|------------------------------------|
| t_{OCLKQ} | Clock-to-Q of the Output Data Register | H, DOUT |
| t_{OSUD} | Data Setup Time for the Output Data Register | F, H |
| t_{OHD} | Data Hold Time for the Output Data Register | F, H |
| t_{OPRE2Q} | Asynchronous Preset-to-Q of the Output Data Register | L, DOUT |
| $t_{OREMPRE}$ | Asynchronous Preset Removal Time for the Output Data Register | L, H |
| $t_{ORECPRE}$ | Asynchronous Preset Recovery Time for the Output Data Register | L, H |
| t_{OECLKQ} | Clock-to-Q of the Output Enable Register | H, EOUT |
| t_{OESUD} | Data Setup Time for the Output Enable Register | J, H |
| t_{OEHD} | Data Hold Time for the Output Enable Register | J, H |
| $t_{OEPRE2Q}$ | Asynchronous Preset-to-Q of the Output Enable Register | I, EOUT |
| $t_{OEREMPRE}$ | Asynchronous Preset Removal Time for the Output Enable Register | I, H |
| $t_{OERECPRE}$ | Asynchronous Preset Recovery Time for the Output Enable Register | I, H |
| t_{ICLKQ} | Clock-to-Q of the Input Data Register | A, E |
| t_{ISUD} | Data Setup Time for the Input Data Register | C, A |
| t_{IHD} | Data Hold Time for the Input Data Register | C, A |
| t_{IPRE2Q} | Asynchronous Preset-to-Q of the Input Data Register | D, E |
| $t_{IREMPRE}$ | Asynchronous Preset Removal Time for the Input Data Register | D, A |
| $t_{IRECPRE}$ | Asynchronous Preset Recovery Time for the Input Data Register | D, A |

Note: *See Figure 2-12 on page 2-41 for more information.

Fully Registered I/O Buffers with Asynchronous Clear

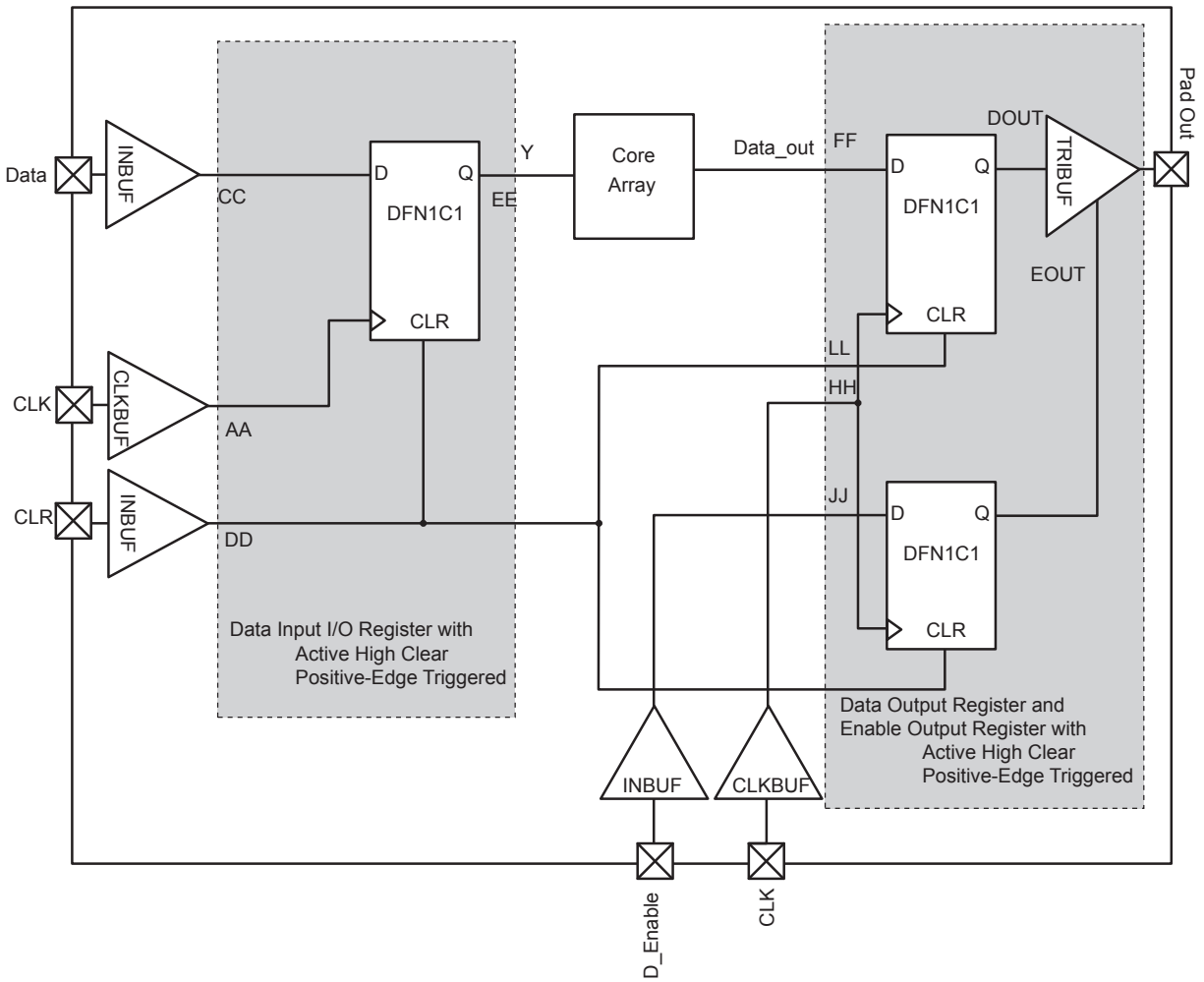


Figure 2-13 • Timing Model of the Registered I/O Buffers with Asynchronous Clear

Table 2-71 • Parameter Definition and Measuring Nodes

| Parameter Name | Parameter Definition | Measuring Nodes (from, to)* |
|-----------------------|---|------------------------------------|
| t_{OCLKQ} | Clock-to-Q of the Output Data Register | HH, DOUT |
| t_{OSUD} | Data Setup Time for the Output Data Register | FF, HH |
| t_{OHD} | Data Hold Time for the Output Data Register | FF, HH |
| t_{OCLR2Q} | Asynchronous Clear-to-Q of the Output Data Register | LL, DOUT |
| $t_{OREMCLR}$ | Asynchronous Clear Removal Time for the Output Data Register | LL, HH |
| $t_{ORECCLR}$ | Asynchronous Clear Recovery Time for the Output Data Register | LL, HH |
| t_{OECLKQ} | Clock-to-Q of the Output Enable Register | HH, EOUT |
| t_{OESUD} | Data Setup Time for the Output Enable Register | JJ, HH |
| t_{OEHD} | Data Hold Time for the Output Enable Register | JJ, HH |
| $t_{OECLR2Q}$ | Asynchronous Clear-to-Q of the Output Enable Register | II, EOUT |
| $t_{OEREMCLR}$ | Asynchronous Clear Removal Time for the Output Enable Register | II, HH |
| $t_{OERECCLR}$ | Asynchronous Clear Recovery Time for the Output Enable Register | II, HH |
| t_{ICLKQ} | Clock-to-Q of the Input Data Register | AA, EE |
| t_{ISUD} | Data Setup Time for the Input Data Register | CC, AA |
| t_{IHD} | Data Hold Time for the Input Data Register | CC, AA |
| t_{ICLR2Q} | Asynchronous Clear-to-Q of the Input Data Register | DD, EE |
| $t_{IREMCLR}$ | Asynchronous Clear Removal Time for the Input Data Register | DD, AA |
| $t_{IRECCLR}$ | Asynchronous Clear Recovery Time for the Input Data Register | DD, AA |

Note: *See Figure 2-13 on page 2-43 for more information.

Input Register

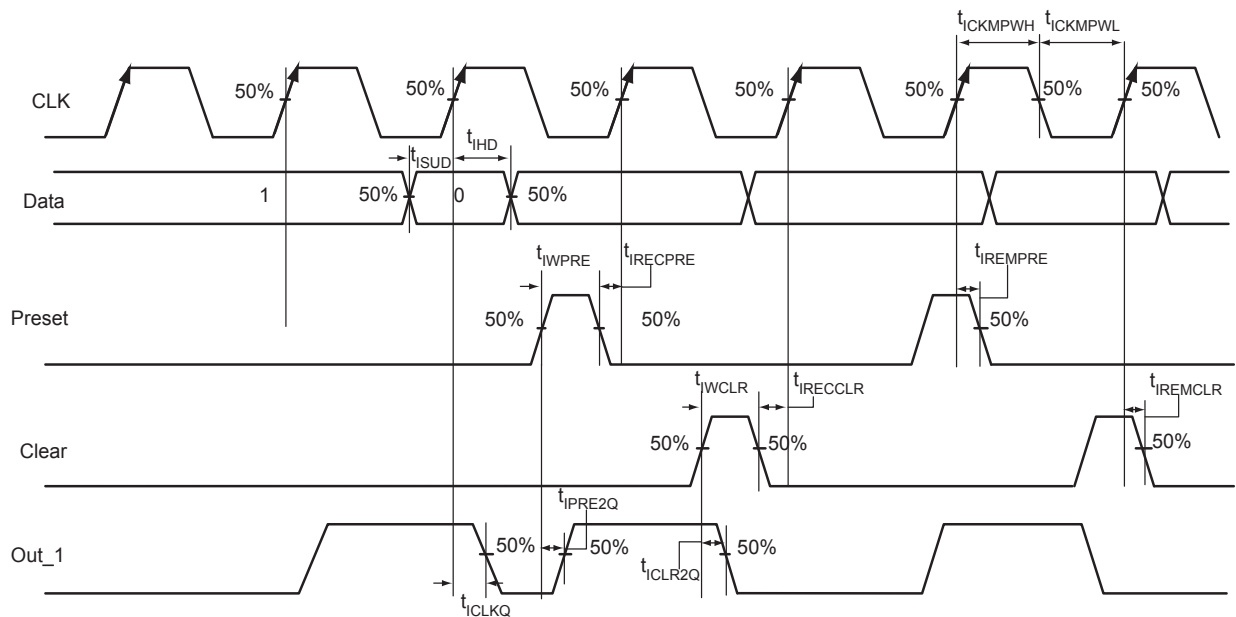


Figure 2-14 • Input Register Timing Diagram

Timing Characteristics

1.5 V DC Core Voltage

Table 2-72 • Input Data Register Propagation Delays
Commercial-Case Conditions: $T_J = 70^\circ\text{C}$, Worst-Case $V_{CC} = 1.425\text{ V}$

| Parameter | Description | Std. | Units |
|----------------------|---|------|-------|
| t_{CLKQ} | Clock-to-Q of the Input Data Register | 0.42 | ns |
| t_{ISUD} | Data Setup Time for the Input Data Register | 0.47 | ns |
| t_{IHD} | Data Hold Time for the Input Data Register | 0.00 | ns |
| t_{ICLR2Q} | Asynchronous Clear-to-Q of the Input Data Register | 0.79 | ns |
| t_{IPRE2Q} | Asynchronous Preset-to-Q of the Input Data Register | 0.79 | ns |
| t_{IEMCLR} | Asynchronous Clear Removal Time for the Input Data Register | 0.00 | ns |
| t_{IRECCLR} | Asynchronous Clear Recovery Time for the Input Data Register | 0.24 | ns |
| t_{IEMPRE} | Asynchronous Preset Removal Time for the Input Data Register | 0.00 | ns |
| t_{IRECPRE} | Asynchronous Preset Recovery Time for the Input Data Register | 0.24 | ns |
| t_{IWCLR} | Asynchronous Clear Minimum Pulse Width for the Input Data Register | 0.19 | ns |
| t_{IWPRE} | Asynchronous Preset Minimum Pulse Width for the Input Data Register | 0.19 | ns |
| t_{ICKMPWH} | Clock Minimum Pulse Width HIGH for the Input Data Register | 0.31 | ns |
| t_{ICKMPWL} | Clock Minimum Pulse Width LOW for the Input Data Register | 0.28 | ns |

Note: For specific junction temperature and voltage supply levels, refer to Table 2-6 on page 2-6 for derating values.

1.2 V DC Core Voltage
Table 2-73 • Input Data Register Propagation Delays
Commercial-Case Conditions: $T_J = 70^\circ\text{C}$, Worst-Case $V_{CC} = 1.14\text{ V}$

| Parameter | Description | Std. | Units |
|---------------------|---|-------------|--------------|
| t_{CLKQ} | Clock-to-Q of the Input Data Register | 0.68 | ns |
| t_{SUD} | Data Setup Time for the Input Data Register | 0.97 | ns |
| t_{HD} | Data Hold Time for the Input Data Register | 0.00 | ns |
| t_{CLR2Q} | Asynchronous Clear-to-Q of the Input Data Register | 1.19 | ns |
| t_{PRE2Q} | Asynchronous Preset-to-Q of the Input Data Register | 1.19 | ns |
| t_{REMCLR} | Asynchronous Clear Removal Time for the Input Data Register | 0.00 | ns |
| t_{RECCLR} | Asynchronous Clear Recovery Time for the Input Data Register | 0.24 | ns |
| t_{REMPRE} | Asynchronous Preset Removal Time for the Input Data Register | 0.00 | ns |
| t_{RECPRE} | Asynchronous Preset Recovery Time for the Input Data Register | 0.24 | ns |
| t_{WCLR} | Asynchronous Clear Minimum Pulse Width for the Input Data Register | 0.19 | ns |
| t_{WPRE} | Asynchronous Preset Minimum Pulse Width for the Input Data Register | 0.19 | ns |
| t_{CKMPWH} | Clock Minimum Pulse Width HIGH for the Input Data Register | 0.31 | ns |
| t_{CKMPWL} | Clock Minimum Pulse Width LOW for the Input Data Register | 0.28 | ns |

Note: For specific junction temperature and voltage supply levels, refer to [Table 2-7 on page 2-7](#) for derating values.

Output Register

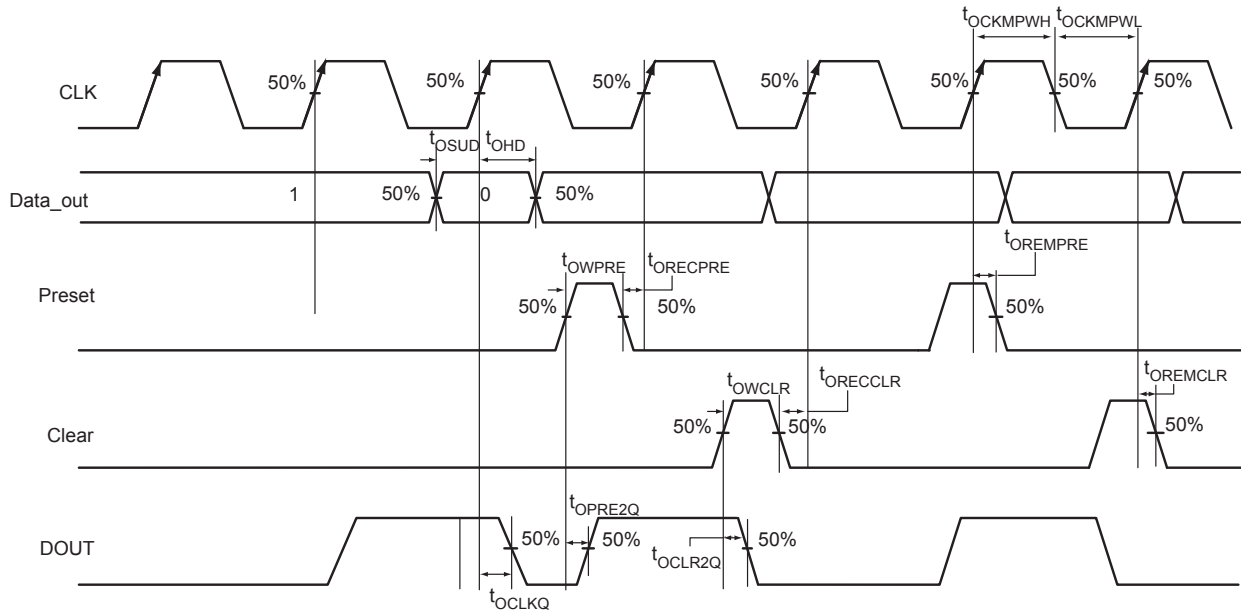


Figure 2-15 • Output Register Timing Diagram

Timing Characteristics

1.5 V DC Core Voltage

Table 2-74 • Output Data Register Propagation Delays
Commercial-Case Conditions: $T_J = 70^\circ\text{C}$, Worst-Case $V_{CC} = 1.425\text{ V}$

| Parameter | Description | Std. | Units |
|---------------|--|------|-------|
| t_{OCLKQ} | Clock-to-Q of the Output Data Register | 1.00 | ns |
| t_{OSUD} | Data Setup Time for the Output Data Register | 0.51 | ns |
| t_{OHD} | Data Hold Time for the Output Data Register | 0.00 | ns |
| t_{OCLR2Q} | Asynchronous Clear-to-Q of the Output Data Register | 1.34 | ns |
| t_{OPRE2Q} | Asynchronous Preset-to-Q of the Output Data Register | 1.34 | ns |
| $t_{OREMCLR}$ | Asynchronous Clear Removal Time for the Output Data Register | 0.00 | ns |
| $t_{ORECCLR}$ | Asynchronous Clear Recovery Time for the Output Data Register | 0.24 | ns |
| $t_{OREMPRE}$ | Asynchronous Preset Removal Time for the Output Data Register | 0.00 | ns |
| $t_{ORECPRE}$ | Asynchronous Preset Recovery Time for the Output Data Register | 0.24 | ns |
| t_{OWCLR} | Asynchronous Clear Minimum Pulse Width for the Output Data Register | 0.19 | ns |
| t_{OWPRE} | Asynchronous Preset Minimum Pulse Width for the Output Data Register | 0.19 | ns |
| $t_{OCKMPWH}$ | Clock Minimum Pulse Width HIGH for the Output Data Register | 0.31 | ns |
| $t_{OCKMPWL}$ | Clock Minimum Pulse Width LOW for the Output Data Register | 0.28 | ns |

Note: For specific junction temperature and voltage supply levels, refer to Table 2-6 on page 2-6 for derating values.

1.2 V DC Core Voltage
Table 2-75 • Output Data Register Propagation Delays
 Commercial-Case Conditions: $T_J = 70^\circ\text{C}$, Worst-Case $V_{CC} = 1.14\text{ V}$

| Parameter | Description | Std. | Units |
|----------------------|--|------|-------|
| t_{OCLKQ} | Clock-to-Q of the Output Data Register | 1.52 | ns |
| t_{OSUD} | Data Setup Time for the Output Data Register | 1.15 | ns |
| t_{OHD} | Data Hold Time for the Output Data Register | 0.00 | ns |
| t_{OCLR2Q} | Asynchronous Clear-to-Q of the Output Data Register | 1.96 | ns |
| t_{OPRE2Q} | Asynchronous Preset-to-Q of the Output Data Register | 1.96 | ns |
| t_{OREMCLR} | Asynchronous Clear Removal Time for the Output Data Register | 0.00 | ns |
| t_{ORECCLR} | Asynchronous Clear Recovery Time for the Output Data Register | 0.24 | ns |
| t_{OREMPRE} | Asynchronous Preset Removal Time for the Output Data Register | 0.00 | ns |
| t_{ORECPRE} | Asynchronous Preset Recovery Time for the Output Data Register | 0.24 | ns |
| t_{OWCLR} | Asynchronous Clear Minimum Pulse Width for the Output Data Register | 0.19 | ns |
| t_{OWPRE} | Asynchronous Preset Minimum Pulse Width for the Output Data Register | 0.19 | ns |
| t_{OCKMPWH} | Clock Minimum Pulse Width HIGH for the Output Data Register | 0.31 | ns |
| t_{OCKMPWL} | Clock Minimum Pulse Width LOW for the Output Data Register | 0.28 | ns |

Note: For specific junction temperature and voltage supply levels, refer to [Table 2-7 on page 2-7](#) for derating values.

Output Enable Register

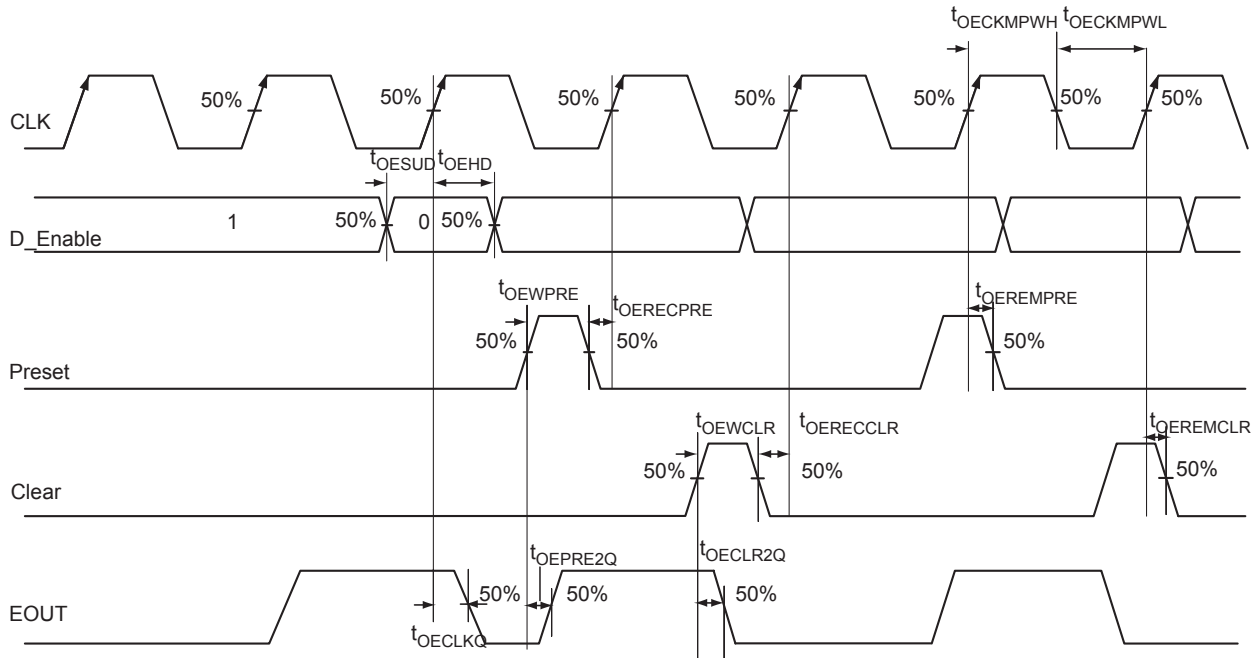


Figure 2-16 • Output Enable Register Timing Diagram

Timing Characteristics

1.5 V DC Core Voltage

Table 2-76 • Output Enable Register Propagation Delays
Commercial-Case Conditions: $T_J = 70^\circ\text{C}$, Worst-Case $V_{CC} = 1.425\text{ V}$

| Parameter | Description | Std. | Units |
|----------------|--|------|-------|
| t_{OECLKQ} | Clock-to-Q of the Output Enable Register | 0.75 | ns |
| t_{OESUD} | Data Setup Time for the Output Enable Register | 0.51 | ns |
| t_{OEHD} | Data Hold Time for the Output Enable Register | 0.00 | ns |
| $t_{OECLR2Q}$ | Asynchronous Clear-to-Q of the Output Enable Register | 1.13 | ns |
| $t_{OEPRE2Q}$ | Asynchronous Preset-to-Q of the Output Enable Register | 1.13 | ns |
| $t_{OEREMCLR}$ | Asynchronous Clear Removal Time for the Output Enable Register | 0.00 | ns |
| $t_{OERECCLR}$ | Asynchronous Clear Recovery Time for the Output Enable Register | 0.24 | ns |
| $t_{OEREMPRE}$ | Asynchronous Preset Removal Time for the Output Enable Register | 0.00 | ns |
| $t_{OERECPRE}$ | Asynchronous Preset Recovery Time for the Output Enable Register | 0.24 | ns |
| $t_{OEWCCLR}$ | Asynchronous Clear Minimum Pulse Width for the Output Enable Register | 0.19 | ns |
| $t_{OEWPRES}$ | Asynchronous Preset Minimum Pulse Width for the Output Enable Register | 0.19 | ns |
| $t_{OECKMPWH}$ | Clock Minimum Pulse Width HIGH for the Output Enable Register | 0.31 | ns |
| $t_{OECKMPWL}$ | Clock Minimum Pulse Width LOW for the Output Enable Register | 0.28 | ns |

Note: For specific junction temperature and voltage supply levels, refer to Table 2-6 on page 2-6 for derating values.

1.2 V DC Core Voltage
Table 2-77 • Output Enable Register Propagation Delays
Commercial-Case Conditions: $T_J = 70^\circ\text{C}$, Worst-Case $V_{CC} = 1.14\text{ V}$

| Parameter | Description | Std. | Units |
|------------------|--|-------------|--------------|
| t_{OECLKQ} | Clock-to-Q of the Output Enable Register | 1.10 | ns |
| t_{OESUD} | Data Setup Time for the Output Enable Register | 1.15 | ns |
| t_{OEHD} | Data Hold Time for the Output Enable Register | 0.00 | ns |
| $t_{OECLR2Q}$ | Asynchronous Clear-to-Q of the Output Enable Register | 1.65 | ns |
| $t_{OEPRE2Q}$ | Asynchronous Preset-to-Q of the Output Enable Register | 1.65 | ns |
| $t_{OEREMCLR}$ | Asynchronous Clear Removal Time for the Output Enable Register | 0.00 | ns |
| $t_{OERECCLR}$ | Asynchronous Clear Recovery Time for the Output Enable Register | 0.24 | ns |
| $t_{OEREMPRE}$ | Asynchronous Preset Removal Time for the Output Enable Register | 0.00 | ns |
| $t_{OERECPRE}$ | Asynchronous Preset Recovery Time for the Output Enable Register | 0.24 | ns |
| $t_{OEWCCLR}$ | Asynchronous Clear Minimum Pulse Width for the Output Enable Register | 0.19 | ns |
| t_{OEWPRE} | Asynchronous Preset Minimum Pulse Width for the Output Enable Register | 0.19 | ns |
| $t_{OECKMPWH}$ | Clock Minimum Pulse Width HIGH for the Output Enable Register | 0.31 | ns |
| $t_{OECKMPWL}$ | Clock Minimum Pulse Width LOW for the Output Enable Register | 0.28 | ns |

Note: For specific junction temperature and voltage supply levels, refer to [Table 2-7 on page 2-7](#) for derating values.

DDR Module Specifications

Note: DDR is not supported for AGLN010, AGLN015, and AGLN020 devices.

Input DDR Module

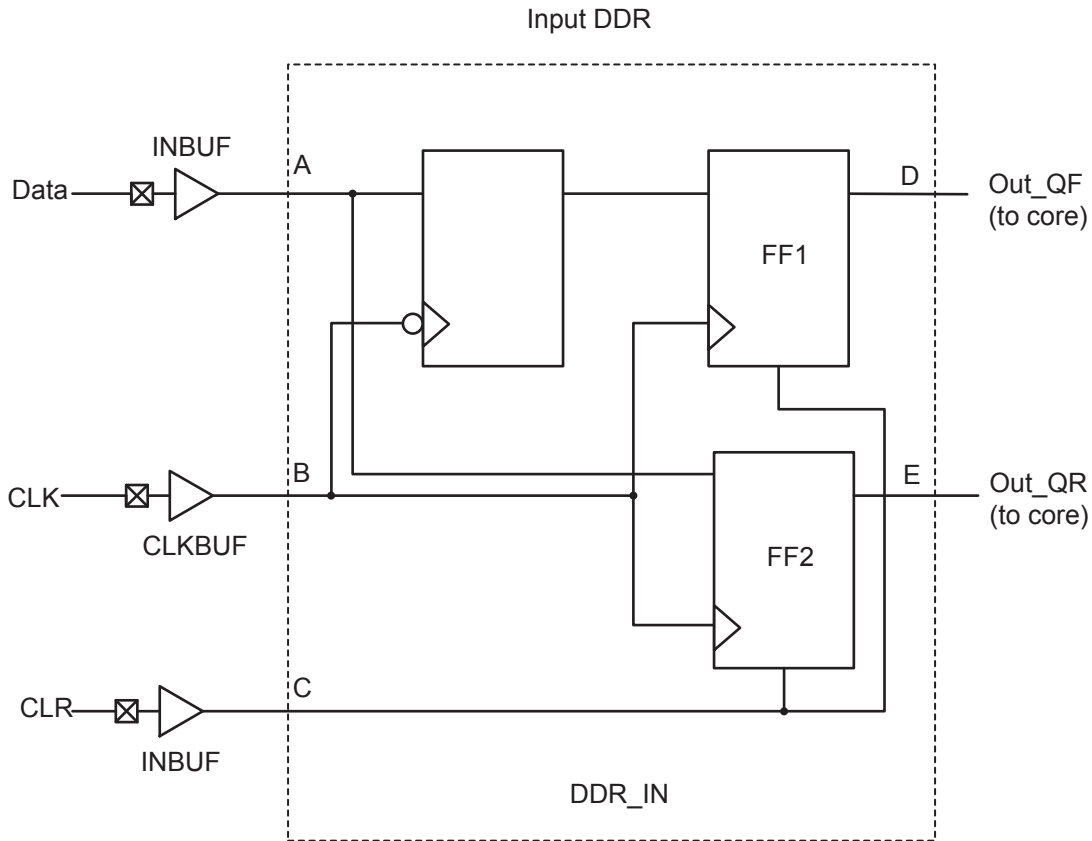
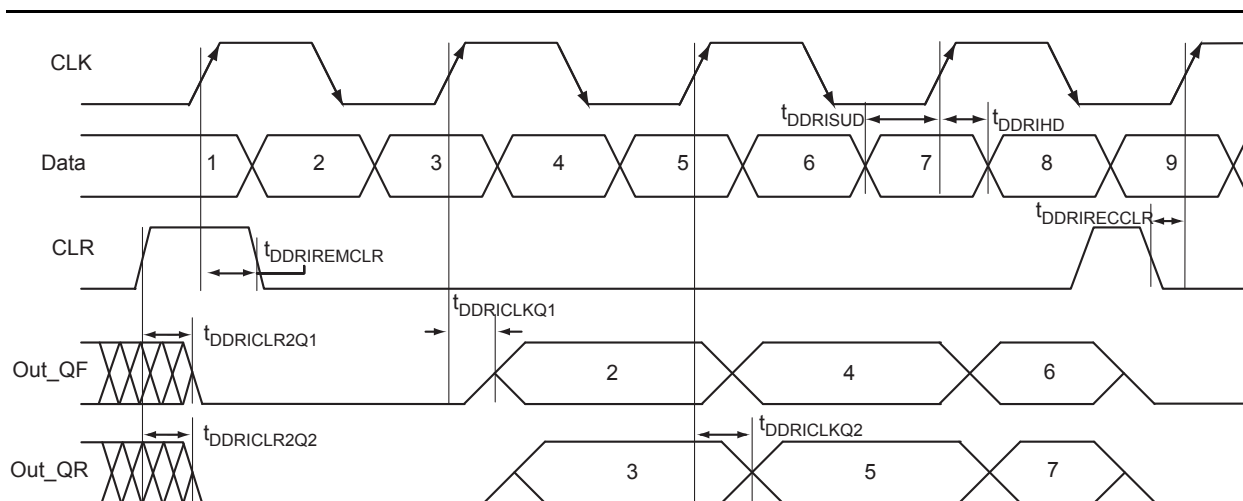


Figure 2-17 • Input DDR Timing Model

Table 2-78 • Parameter Definitions

| Parameter Name | Parameter Definition | Measuring Nodes (from, to) |
|-------------------------|------------------------------|----------------------------|
| $t_{\text{DDRICKLQ1}}$ | Clock-to-Out Out_QR | B, D |
| $t_{\text{DDRICKLQ2}}$ | Clock-to-Out Out_QF | B, E |
| t_{DDRISUD} | Data Setup Time of DDR input | A, B |
| t_{DDRIHD} | Data Hold Time of DDR input | A, B |
| $t_{\text{DDRICLR2Q1}}$ | Clear-to-Out Out_QR | C, D |
| $t_{\text{DDRICLR2Q2}}$ | Clear-to-Out Out_QF | C, E |
| $t_{\text{DDRIREMCLR}}$ | Clear Removal | C, B |
| $t_{\text{DDRIRECCLR}}$ | Clear Recovery | C, B |


Figure 2-18 • Input DDR Timing Diagram

Timing Characteristics

1.5 V DC Core Voltage

Table 2-79 • Input DDR Propagation Delays

 Commercial-Case Conditions: $T_J = 70^{\circ}\text{C}$, Worst-Case $V_{CC} = 1.25\text{ V}$

| Parameter | Description | Std. | Units |
|-------------------------|--|--------|-------|
| t_{DDRICKQ1} | Clock-to-Out Out_QR for Input DDR | 0.48 | ns |
| t_{DDRICKQ2} | Clock-to-Out Out_QF for Input DDR | 0.65 | ns |
| t_{DDRISUD1} | Data Setup for Input DDR (negedge) | 0.50 | ns |
| t_{DDRISUD2} | Data Setup for Input DDR (posedge) | 0.40 | ns |
| t_{DDRHD1} | Data Hold for Input DDR (negedge) | 0.00 | ns |
| t_{DDRHD2} | Data Hold for Input DDR (posedge) | 0.00 | ns |
| $t_{\text{DDRCLR2Q1}}$ | Asynchronous Clear-to-Out Out_QR for Input DDR | 0.82 | ns |
| $t_{\text{DDRCLR2Q2}}$ | Asynchronous Clear-to-Out Out_QF for Input DDR | 0.98 | ns |
| $t_{\text{DDRIREMCLR}}$ | Asynchronous Clear Removal Time for Input DDR | 0.00 | ns |
| $t_{\text{DDRIRECCLR}}$ | Asynchronous Clear Recovery Time for Input DDR | 0.23 | ns |
| t_{DDRIWCLR} | Asynchronous Clear Minimum Pulse Width for Input DDR | 0.19 | ns |
| $t_{\text{DDRICKMPWH}}$ | Clock Minimum Pulse Width HIGH for Input DDR | 0.31 | ns |
| $t_{\text{DDRICKMPWL}}$ | Clock Minimum Pulse Width LOW for Input DDR | 0.28 | ns |
| F_{DDRIMAX} | Maximum Frequency for Input DDR | 250.00 | MHz |

Note: For specific junction temperature and voltage supply levels, refer to [Table 2-7 on page 2-7](#) for derating values.

1.2 V DC Core Voltage
Table 2-80 • Input DDR Propagation Delays
Commercial-Case Conditions: $T_J = 70^\circ\text{C}$, Worst-Case $V_{CC} = 1.14\text{ V}$

| Parameter | Description | Std. | Units |
|-------------------------|--|--------|-------|
| t_{DDRICKQ1} | Clock-to-Out Out_QR for Input DDR | 0.76 | ns |
| t_{DDRICKQ2} | Clock-to-Out Out_QF for Input DDR | 0.94 | ns |
| t_{DDRISUD1} | Data Setup for Input DDR (negedge) | 0.93 | ns |
| t_{DDRISUD2} | Data Setup for Input DDR (posedge) | 0.84 | ns |
| t_{DDRILD1} | Data Hold for Input DDR (negedge) | 0.00 | ns |
| t_{DDRILD2} | Data Hold for Input DDR (posedge) | 0.00 | ns |
| $t_{\text{DDRICLR2Q1}}$ | Asynchronous Clear-to-Out Out_QR for Input DDR | 1.23 | ns |
| $t_{\text{DDRICLR2Q2}}$ | Asynchronous Clear-to-Out Out_QF for Input DDR | 1.42 | ns |
| $t_{\text{DDRIRECLR}}$ | Asynchronous Clear Removal Time for Input DDR | 0.00 | ns |
| $t_{\text{DDRIRECCLR}}$ | Asynchronous Clear Recovery Time for Input DDR | 0.24 | ns |
| t_{DDRWCCLR} | Asynchronous Clear Minimum Pulse Width for Input DDR | 0.19 | ns |
| $t_{\text{DDRICKMPWH}}$ | Clock Minimum Pulse Width HIGH for Input DDR | 0.31 | ns |
| $t_{\text{DDRICKMPWL}}$ | Clock Minimum Pulse Width LOW for Input DDR | 0.28 | ns |
| F_{DDRIMAX} | Maximum Frequency for Input DDR | 160.00 | MHz |

Note: For specific junction temperature and voltage supply levels, refer to [Table 2-7 on page 2-7](#) for derating values.

Output DDR Module

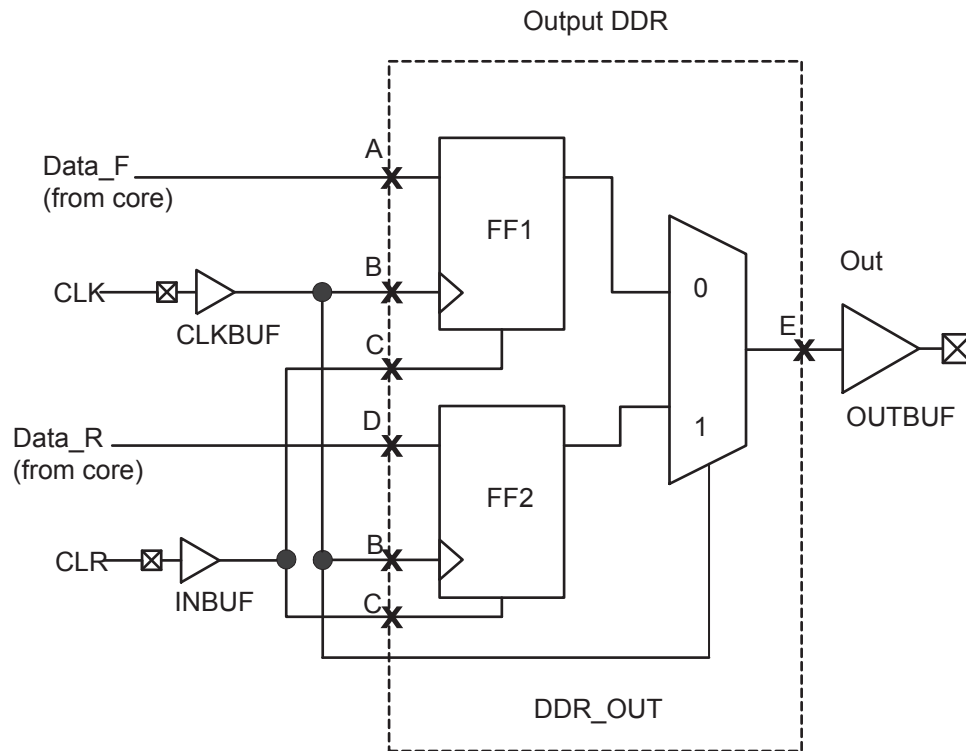
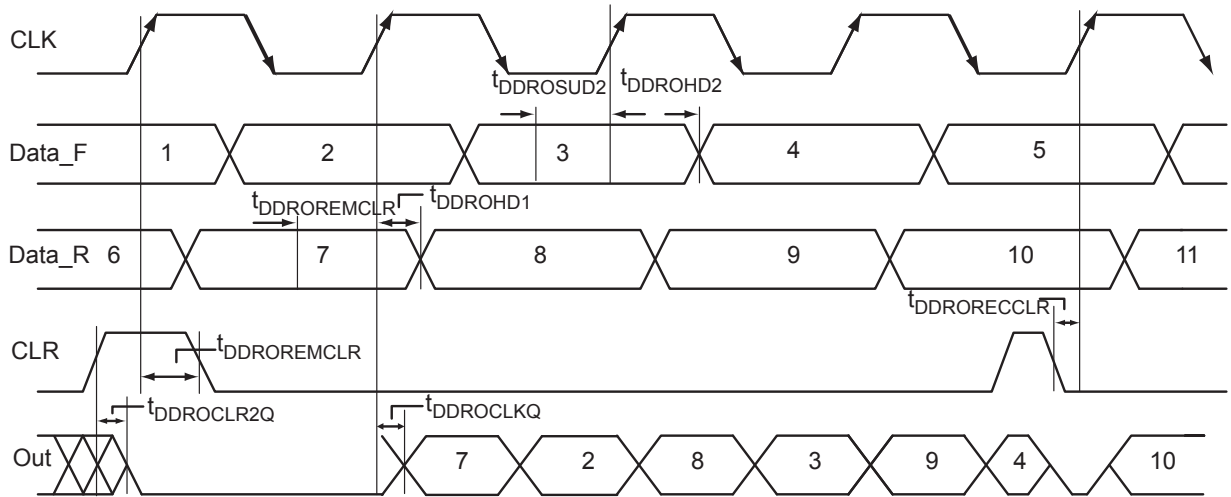


Figure 2-19 • Output DDR Timing Model

Table 2-81 • Parameter Definitions

| Parameter Name | Parameter Definition | Measuring Nodes (from, to) |
|------------------|---------------------------|----------------------------|
| $t_{DDROCLKQ}$ | Clock-to-Out | B, E |
| $t_{DDROCLR2Q}$ | Asynchronous Clear-to-Out | C, E |
| $t_{DDROREMCLR}$ | Clear Removal | C, B |
| $t_{DDRORECCLR}$ | Clear Recovery | C, B |
| $t_{DDROSUD1}$ | Data Setup Data_F | A, B |
| $t_{DDROSUD2}$ | Data Setup Data_R | D, B |
| $t_{DDROHD1}$ | Data Hold Data_F | A, B |
| $t_{DDROHD2}$ | Data Hold Data_R | D, B |


Figure 2-20 • Output DDR Timing Diagram

Timing Characteristics

1.5 V DC Core Voltage

Table 2-82 • Output DDR Propagation Delays
 Commercial-Case Conditions: $T_J = 70^\circ\text{C}$, Worst-Case $V_{CC} = 1.425\text{ V}$

| Parameter | Description | Std. | Units |
|------------------|---|--------|-------|
| $t_{DDROCLKQ}$ | Clock-to-Out of DDR for Output DDR | 1.07 | ns |
| $t_{DDROSUD1}$ | Data_F Data Setup for Output DDR | 0.67 | ns |
| $t_{DDROSUD2}$ | Data_R Data Setup for Output DDR | 0.67 | ns |
| $t_{DDROHD1}$ | Data_F Data Hold for Output DDR | 0.00 | ns |
| $t_{DDROHD2}$ | Data_R Data Hold for Output DDR | 0.00 | ns |
| $t_{DDROCLR2Q}$ | Asynchronous Clear-to-Out for Output DDR | 1.38 | ns |
| $t_{DDROEMCLR}$ | Asynchronous Clear Removal Time for Output DDR | 0.00 | ns |
| $t_{DDROECCLR}$ | Asynchronous Clear Recovery Time for Output DDR | 0.23 | ns |
| $t_{DDROWCLR1}$ | Asynchronous Clear Minimum Pulse Width for Output DDR | 0.19 | ns |
| $t_{DDROCKMPWH}$ | Clock Minimum Pulse Width HIGH for the Output DDR | 0.31 | ns |
| $t_{DDROCKMPWL}$ | Clock Minimum Pulse Width LOW for the Output DDR | 0.28 | ns |
| F_{DDOMAX} | Maximum Frequency for the Output DDR | 250.00 | MHz |

Note: For specific junction temperature and voltage supply levels, refer to Table 2-6 on page 2-6 for derating values.

1.2 V DC Core Voltage
Table 2-83 • Output DDR Propagation Delays
Commercial-Case Conditions: $T_J = 70^\circ\text{C}$, Worst-Case $V_{CC} = 1.14\text{ V}$

| Parameter | Description | Std. | Units |
|-------------------------|---|--------|-------|
| t_{DDROCLKQ} | Clock-to-Out of DDR for Output DDR | 1.60 | ns |
| t_{DDROSUD1} | Data_F Data Setup for Output DDR | 1.09 | ns |
| t_{DDROSUD2} | Data_R Data Setup for Output DDR | 1.16 | ns |
| t_{DDROHD1} | Data_F Data Hold for Output DDR | 0.00 | ns |
| t_{DDROHD2} | Data_R Data Hold for Output DDR | 0.00 | ns |
| $t_{\text{DDROCLR2Q}}$ | Asynchronous Clear-to-Out for Output DDR | 1.99 | ns |
| $t_{\text{DDROREMCLR}}$ | Asynchronous Clear Removal Time for Output DDR | 0.00 | ns |
| $t_{\text{DDRORECCLR}}$ | Asynchronous Clear Recovery Time for Output DDR | 0.24 | ns |
| $t_{\text{DDROWCLR1}}$ | Asynchronous Clear Minimum Pulse Width for Output DDR | 0.19 | ns |
| $t_{\text{DDROCKMPWH}}$ | Clock Minimum Pulse Width HIGH for the Output DDR | 0.31 | ns |
| $t_{\text{DDROCKMPWL}}$ | Clock Minimum Pulse Width LOW for the Output DDR | 0.28 | ns |
| F_{DDOMAX} | Maximum Frequency for the Output DDR | 160.00 | MHz |

Note: For specific junction temperature and voltage supply levels, refer to [Table 2-7 on page 2-7](#) for derating values.

VersaTile Characteristics

VersaTile Specifications as a Combinatorial Module

The IGLOO nano library offers all combinations of LUT-3 combinatorial functions. In this section, timing characteristics are presented for a sample of the library. For more details, refer to the *Fusion, IGLOO/e, and ProASIC3/ E Macro Library Guide*.

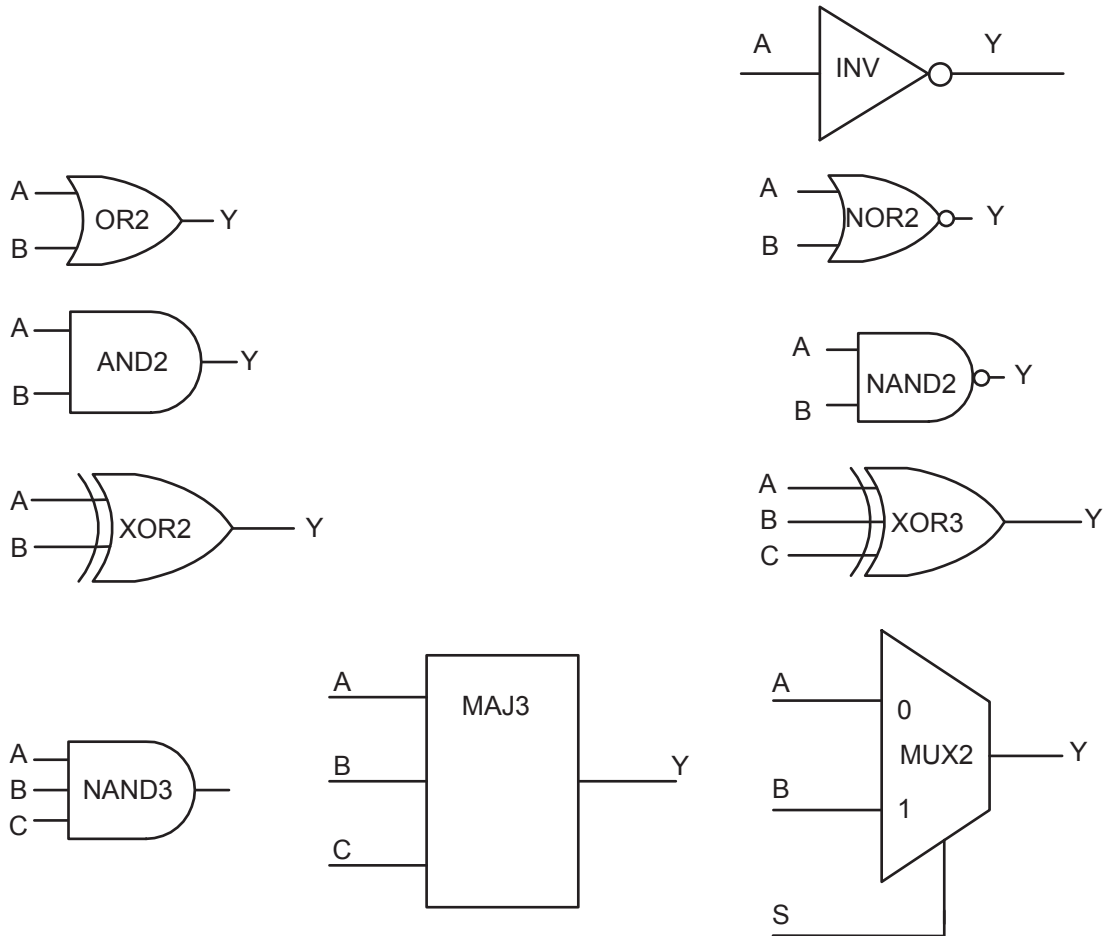


Figure 2-21 • Sample of Combinatorial Cells

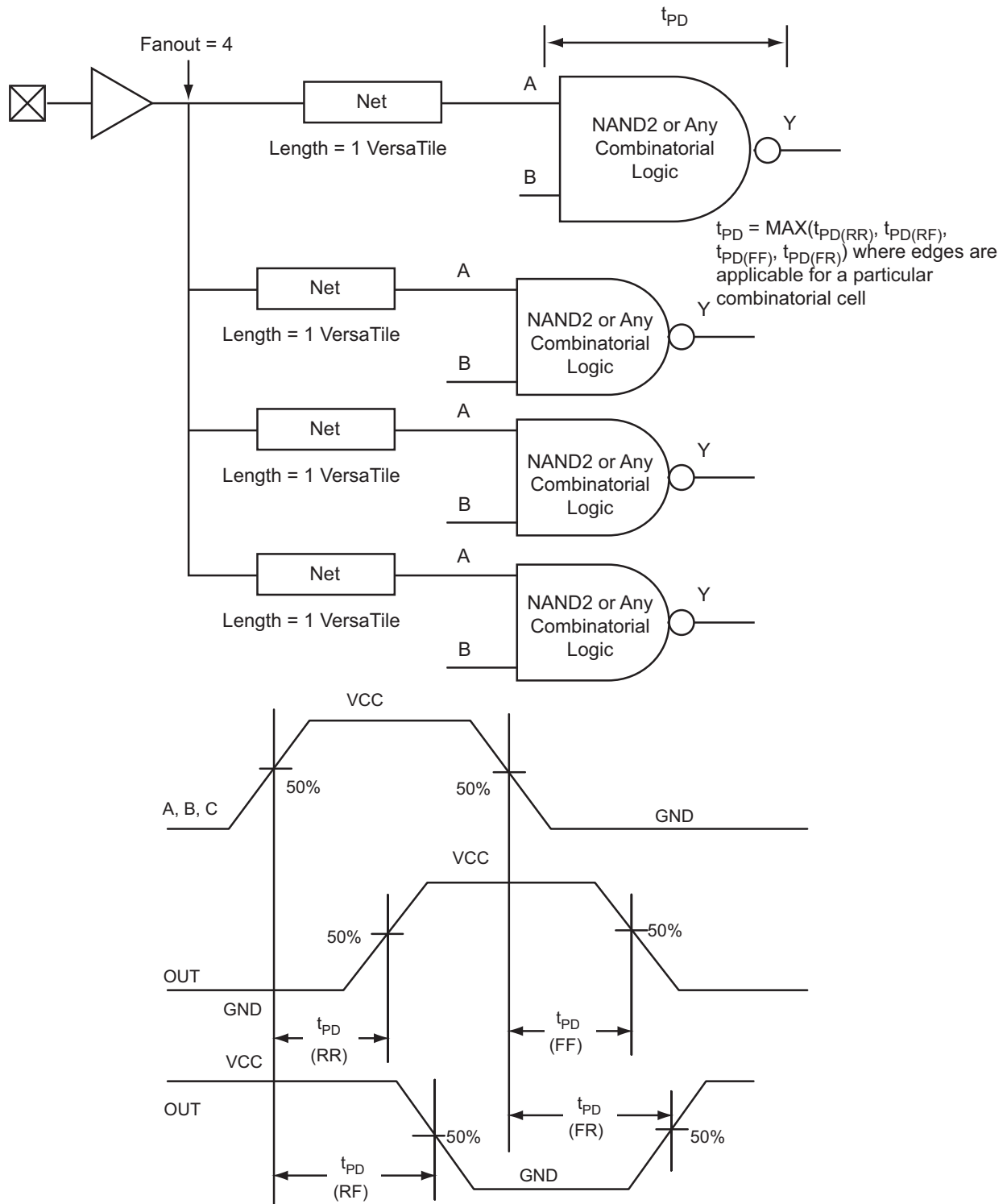


Figure 2-22 • Timing Model and Waveforms

Timing Characteristics

1.5 V DC Core Voltage

Table 2-84 • Combinatorial Cell Propagation Delays
Commercial-Case Conditions: $T_J = 70^\circ\text{C}$, Worst-Case VCC = 1.425 V

| Combinatorial Cell | Equation | Parameter | Std. | Units |
|--------------------|---------------------------|-----------|------|-------|
| INV | $Y = !A$ | t_{PD} | 0.76 | ns |
| AND2 | $Y = A \cdot B$ | t_{PD} | 0.87 | ns |
| NAND2 | $Y = !(A \cdot B)$ | t_{PD} | 0.91 | ns |
| OR2 | $Y = A + B$ | t_{PD} | 0.90 | ns |
| NOR2 | $Y = !(A + B)$ | t_{PD} | 0.94 | ns |
| XOR2 | $Y = A \oplus B$ | t_{PD} | 1.39 | ns |
| MAJ3 | $Y = \text{MAJ}(A, B, C)$ | t_{PD} | 1.44 | ns |
| XOR3 | $Y = A \oplus B \oplus C$ | t_{PD} | 1.60 | ns |
| MUX2 | $Y = A !S + B S$ | t_{PD} | 1.17 | ns |
| AND3 | $Y = A \cdot B \cdot C$ | t_{PD} | 1.18 | ns |

Note: For specific junction temperature and voltage supply levels, refer to [Table 2-6 on page 2-6](#) for derating values.

1.2 V DC Core Voltage

Table 2-85 • Combinatorial Cell Propagation Delays
Commercial-Case Conditions: $T_J = 70^\circ\text{C}$, Worst-Case VCC = 1.14 V

| Combinatorial Cell | Equation | Parameter | Std. | Units |
|--------------------|---------------------------|-----------|------|-------|
| INV | $Y = !A$ | t_{PD} | 1.33 | ns |
| AND2 | $Y = A \cdot B$ | t_{PD} | 1.48 | ns |
| NAND2 | $Y = !(A \cdot B)$ | t_{PD} | 1.58 | ns |
| OR2 | $Y = A + B$ | t_{PD} | 1.53 | ns |
| NOR2 | $Y = !(A + B)$ | t_{PD} | 1.63 | ns |
| XOR2 | $Y = A \oplus B$ | t_{PD} | 2.34 | ns |
| MAJ3 | $Y = \text{MAJ}(A, B, C)$ | t_{PD} | 2.59 | ns |
| XOR3 | $Y = A \oplus B \oplus C$ | t_{PD} | 2.74 | ns |
| MUX2 | $Y = A !S + B S$ | t_{PD} | 2.03 | ns |
| AND3 | $Y = A \cdot B \cdot C$ | t_{PD} | 2.11 | ns |

Note: For specific junction temperature and voltage supply levels, refer to [Table 2-7 on page 2-7](#) for derating values.

VersaTile Specifications as a Sequential Module

The IGLOO nano library offers a wide variety of sequential cells, including flip-flops and latches. Each has a data input and optional enable, clear, or preset. In this section, timing characteristics are presented for a representative sample from the library. For more details, refer to the *Fusion, IGLOO/e, and ProASIC3/E Macro Library Guide*.

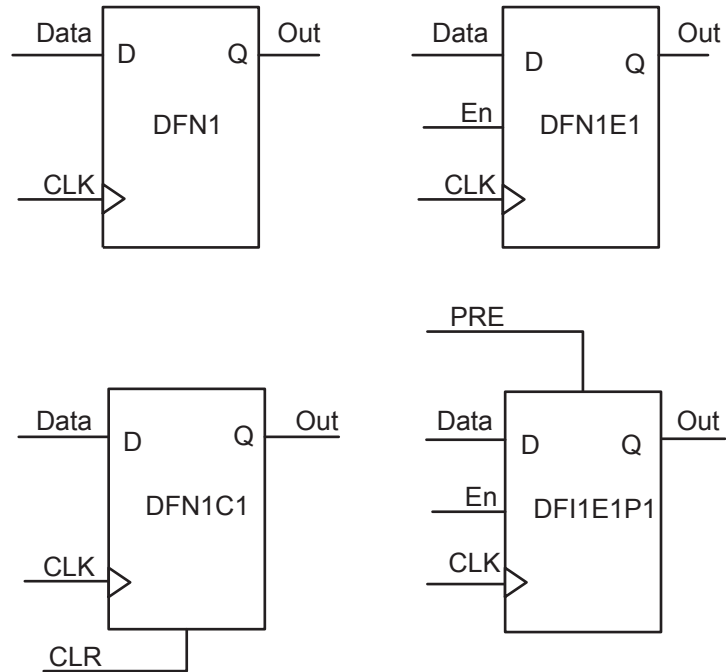
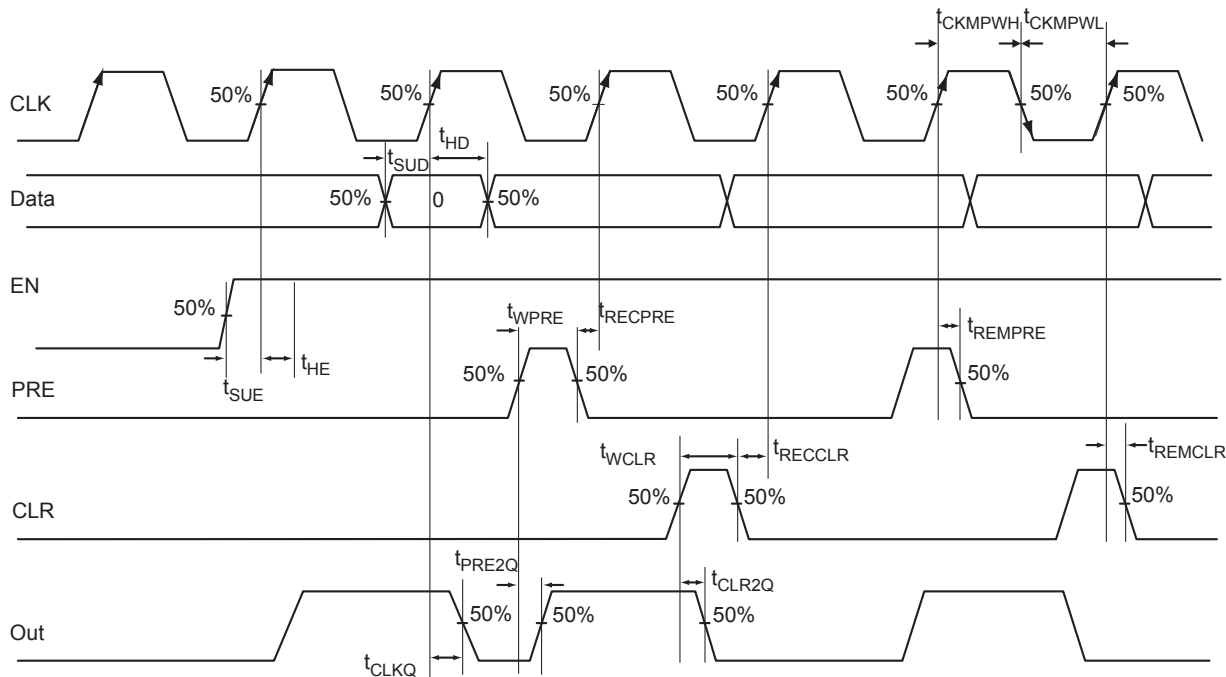


Figure 2-23 • Sample of Sequential Cells


Figure 2-24 • Timing Model and Waveforms

Timing Characteristics

1.5 V DC Core Voltage

Table 2-86 • Register Delays

 Commercial-Case Conditions: $T_j = 70^\circ\text{C}$, Worst-Case $V_{CC} = 1.425\text{ V}$

| Parameter | Description | Std. | Units |
|--------------|---|------|-------|
| t_{CLKQ} | Clock-to-Q of the Core Register | 0.89 | ns |
| t_{SUD} | Data Setup Time for the Core Register | 0.81 | ns |
| t_{HD} | Data Hold Time for the Core Register | 0.00 | ns |
| t_{SUE} | Enable Setup Time for the Core Register | 0.73 | ns |
| t_{HE} | Enable Hold Time for the Core Register | 0.00 | ns |
| t_{CLR2Q} | Asynchronous Clear-to-Q of the Core Register | 0.60 | ns |
| t_{PRE2Q} | Asynchronous Preset-to-Q of the Core Register | 0.62 | ns |
| t_{REMCLR} | Asynchronous Clear Removal Time for the Core Register | 0.00 | ns |
| t_{RECCLR} | Asynchronous Clear Recovery Time for the Core Register | 0.24 | ns |
| t_{REMPRE} | Asynchronous Preset Removal Time for the Core Register | 0.00 | ns |
| t_{RECPRE} | Asynchronous Preset Recovery Time for the Core Register | 0.23 | ns |
| t_{WCLR} | Asynchronous Clear Minimum Pulse Width for the Core Register | 0.30 | ns |
| t_{WPRE} | Asynchronous Preset Minimum Pulse Width for the Core Register | 0.30 | ns |
| t_{CKMPWH} | Clock Minimum Pulse Width HIGH for the Core Register | 0.56 | ns |
| t_{CKMPWL} | Clock Minimum Pulse Width LOW for the Core Register | 0.56 | ns |

Note: For specific junction temperature and voltage supply levels, refer to Table 2-6 on page 2-6 for derating values.

1.2 V DC Core Voltage

Table 2-87 • Register Delays
Commercial-Case Conditions: $T_J = 70^\circ\text{C}$, Worst-Case $V_{CC} = 1.14\text{ V}$

| Parameter | Description | Std. | Units |
|---------------------|---|------|-------|
| t_{CLKQ} | Clock-to-Q of the Core Register | 1.61 | ns |
| t_{SUD} | Data Setup Time for the Core Register | 1.17 | ns |
| t_{HD} | Data Hold Time for the Core Register | 0.00 | ns |
| t_{SUE} | Enable Setup Time for the Core Register | 1.29 | ns |
| t_{HE} | Enable Hold Time for the Core Register | 0.00 | ns |
| t_{CLR2Q} | Asynchronous Clear-to-Q of the Core Register | 0.87 | ns |
| t_{PRE2Q} | Asynchronous Preset-to-Q of the Core Register | 0.89 | ns |
| t_{REMCLR} | Asynchronous Clear Removal Time for the Core Register | 0.00 | ns |
| t_{RECCLR} | Asynchronous Clear Recovery Time for the Core Register | 0.24 | ns |
| t_{REMPRE} | Asynchronous Preset Removal Time for the Core Register | 0.00 | ns |
| t_{RECPRE} | Asynchronous Preset Recovery Time for the Core Register | 0.24 | ns |
| t_{WCLR} | Asynchronous Clear Minimum Pulse Width for the Core Register | 0.46 | ns |
| t_{WPRE} | Asynchronous Preset Minimum Pulse Width for the Core Register | 0.46 | ns |
| t_{CKMPWH} | Clock Minimum Pulse Width HIGH for the Core Register | 0.95 | ns |
| t_{CKMPWL} | Clock Minimum Pulse Width LOW for the Core Register | 0.95 | ns |

Note: For specific junction temperature and voltage supply levels, refer to [Table 2-7 on page 2-7](#) for derating values.

Global Resource Characteristics

AGLN125 Clock Tree Topology

Clock delays are device-specific. [Figure 2-25](#) is an example of a global tree used for clock routing. The global tree presented in [Figure 2-25](#) is driven by a CCC located on the west side of the AGLN125 device. It is used to drive all D-flip-flops in the device.

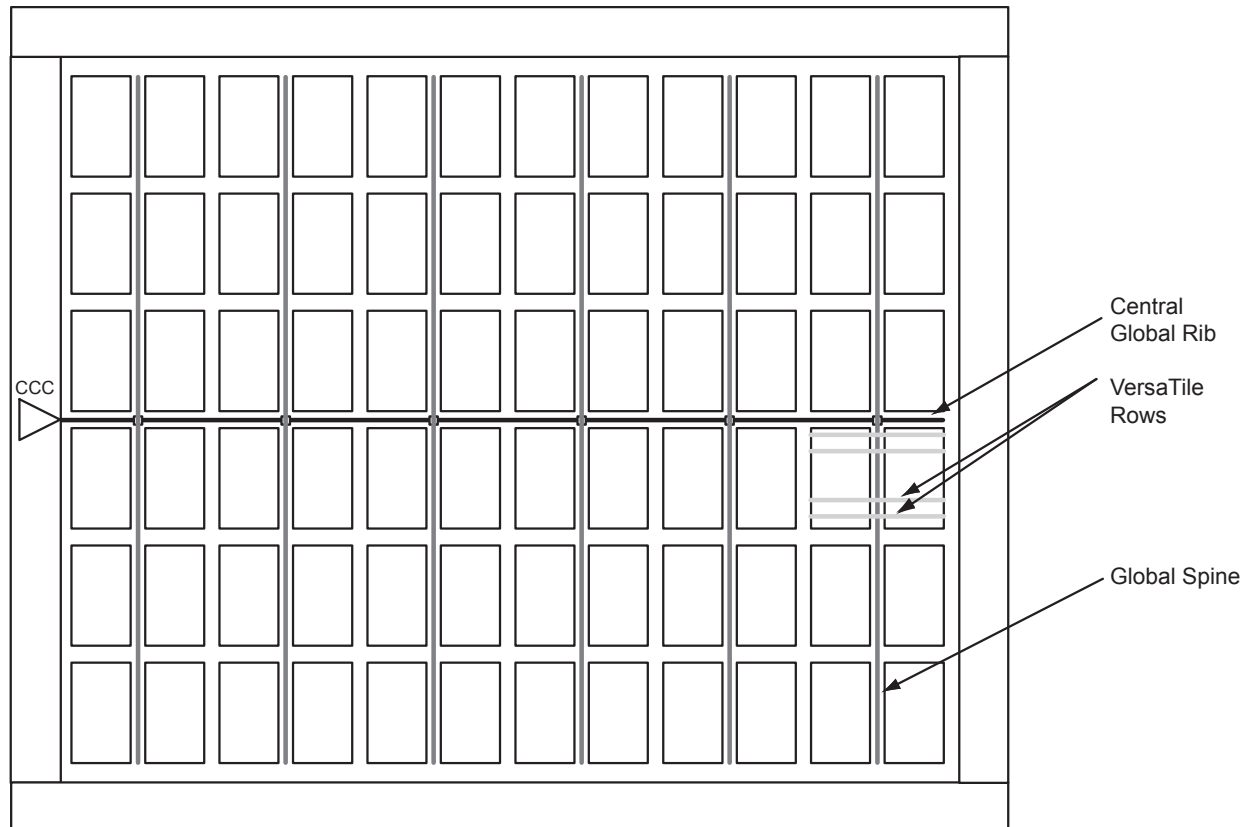


Figure 2-25 • Example of Global Tree Use in an AGLN125 Device for Clock Routing

Global Tree Timing Characteristics

Global clock delays include the central rib delay, the spine delay, and the row delay. Delays do not include I/O input buffer clock delays, as these are I/O standard-dependent, and the clock may be driven and conditioned internally by the CCC module. For more details on clock conditioning capabilities, refer to the "Clock Conditioning Circuits" section on page 2-70. Table 2-88 to Table 2-96 on page 2-68 present minimum and maximum global clock delays within each device. Minimum and maximum delays are measured with minimum and maximum loading.

Timing Characteristics

1.5 V DC Core Voltage

Table 2-88 • AGLN010 Global Resource
Commercial-Case Conditions: $T_J = 70^\circ\text{C}$, $V_{CC} = 1.425\text{ V}$

| Parameter | Description | Std. | | Units |
|---------------|---|-------------------|-------------------|-------|
| | | Min. ¹ | Max. ² | |
| t_{RCKL} | Input Low Delay for Global Clock | 1.13 | 1.42 | ns |
| t_{RCKH} | Input High Delay for Global Clock | 1.15 | 1.50 | ns |
| $t_{RCKMPWH}$ | Minimum Pulse Width HIGH for Global Clock | 1.40 | | ns |
| $t_{RCKMPWL}$ | Minimum Pulse Width LOW for Global Clock | 1.65 | | ns |
| t_{RCKSW} | Maximum Skew for Global Clock | | 0.35 | ns |

Notes:

1. Value reflects minimum load. The delay is measured from the CCC output to the clock pin of a sequential element, located in a lightly loaded row (single element is connected to the global net).
2. Value reflects maximum load. The delay is measured on the clock pin of the farthest sequential element, located in a fully loaded row (all available flip-flops are connected to the global net in the row).
3. For specific junction temperature and voltage supply levels, refer to Table 2-6 on page 2-6 for derating values.

Table 2-89 • AGLN015 Global Resource
Commercial-Case Conditions: $T_J = 70^\circ\text{C}$, $V_{CC} = 1.425\text{ V}$

| Parameter | Description | Std. | | Units |
|---------------|---|-------------------|-------------------|-------|
| | | Min. ¹ | Max. ² | |
| t_{RCKL} | Input Low Delay for Global Clock | 1.21 | 1.55 | ns |
| t_{RCKH} | Input High Delay for Global Clock | 1.23 | 1.65 | ns |
| $t_{RCKMPWH}$ | Minimum Pulse Width HIGH for Global Clock | 1.40 | | ns |
| $t_{RCKMPWL}$ | Minimum Pulse Width LOW for Global Clock | 1.65 | | ns |
| t_{RCKSW} | Maximum Skew for Global Clock | | 0.42 | ns |

Notes:

1. Value reflects minimum load. The delay is measured from the CCC output to the clock pin of a sequential element, located in a lightly loaded row (single element is connected to the global net).
2. Value reflects maximum load. The delay is measured on the clock pin of the farthest sequential element, located in a fully loaded row (all available flip-flops are connected to the global net in the row).
3. For specific junction temperature and voltage supply levels, refer to Table 2-6 on page 2-6 for derating values.

Table 2-90 • AGLN020 Global Resource
Commercial-Case Conditions: $T_J = 70^\circ\text{C}$, $V_{CC} = 1.425\text{ V}$

| Parameter | Description | Std. | | Units |
|---------------|---|-------------------|-------------------|-------|
| | | Min. ¹ | Max. ² | |
| t_{RCKL} | Input Low Delay for Global Clock | 1.21 | 1.55 | ns |
| t_{RCKH} | Input High Delay for Global Clock | 1.23 | 1.65 | ns |
| $t_{RCKMPWH}$ | Minimum Pulse Width High for Global Clock | 1.40 | | ns |
| $t_{RCKMPWL}$ | Minimum Pulse Width Low for Global Clock | 1.65 | | ns |
| t_{RCKSW} | Maximum Skew for Global Clock | | 0.42 | ns |

Notes:

1. Value reflects minimum load. The delay is measured from the CCC output to the clock pin of a sequential element, located in a lightly loaded row (single element is connected to the global net).
2. Value reflects maximum load. The delay is measured on the clock pin of the farthest sequential element, located in a fully loaded row (all available flip-flops are connected to the global net in the row).
3. For specific junction temperature and voltage supply levels, refer to [Table 2-6 on page 2-6](#) for derating values.

Table 2-91 • AGLN060 Global Resource
Commercial-Case Conditions: $T_J = 70^\circ\text{C}$, $V_{CC} = 1.425\text{ V}$

| Parameter | Description | Std. | | Units |
|---------------|---|-------------------|-------------------|-------|
| | | Min. ¹ | Max. ² | |
| t_{RCKL} | Input Low Delay for Global Clock | 1.32 | 1.62 | ns |
| t_{RCKH} | Input High Delay for Global Clock | 1.34 | 1.71 | ns |
| $t_{RCKMPWH}$ | Minimum Pulse Width HIGH for Global Clock | 1.40 | | ns |
| $t_{RCKMPWL}$ | Minimum Pulse Width LOW for Global Clock | 1.65 | | ns |
| t_{RCKSW} | Maximum Skew for Global Clock | | 0.38 | ns |

Notes:

1. Value reflects minimum load. The delay is measured from the CCC output to the clock pin of a sequential element, located in a lightly loaded row (single element is connected to the global net).
2. Value reflects maximum load. The delay is measured on the clock pin of the farthest sequential element, located in a fully loaded row (all available flip-flops are connected to the global net in the row).
3. For specific junction temperature and voltage supply levels, refer to [Table 2-6 on page 2-6](#) for derating values.

Table 2-92 • AGLN125 Global Resource
Commercial-Case Conditions: $T_J = 70^\circ\text{C}$, $V_{CC} = 1.425\text{ V}$

| Parameter | Description | Std. | | Units |
|---------------|---|-------------------|-------------------|-------|
| | | Min. ¹ | Max. ² | |
| t_{RCKL} | Input Low Delay for Global Clock | 1.36 | 1.71 | ns |
| t_{RCKH} | Input High Delay for Global Clock | 1.39 | 1.82 | ns |
| $t_{RCKMPWH}$ | Minimum Pulse Width High for Global Clock | 1.40 | | ns |
| $t_{RCKMPWL}$ | Minimum Pulse Width Low for Global Clock | 1.65 | | ns |
| t_{RCKSW} | Maximum Skew for Global Clock | | 0.43 | ns |

Notes:

1. Value reflects minimum load. The delay is measured from the CCC output to the clock pin of a sequential element, located in a lightly loaded row (single element is connected to the global net).
2. Value reflects maximum load. The delay is measured on the clock pin of the farthest sequential element, located in a fully loaded row (all available flip-flops are connected to the global net in the row).
3. For specific junction temperature and voltage supply levels, refer to [Table 2-6 on page 2-6](#) for derating values.

Table 2-93 • AGLN250 Global Resource
Commercial-Case Conditions: $T_J = 70^\circ\text{C}$, $V_{CC} = 1.425\text{ V}$

| Parameter | Description | Std. | | Units |
|---------------|---|-------------------|-------------------|-------|
| | | Min. ¹ | Max. ² | |
| t_{RCKL} | Input Low Delay for Global Clock | 1.39 | 1.73 | ns |
| t_{RCKH} | Input High Delay for Global Clock | 1.41 | 1.84 | ns |
| $t_{RCKMPWH}$ | Minimum Pulse Width High for Global Clock | 1.40 | | ns |
| $t_{RCKMPWL}$ | Minimum Pulse Width Low for Global Clock | 1.65 | | ns |
| t_{RCKSW} | Maximum Skew for Global Clock | | 0.43 | ns |

Notes:

1. Value reflects minimum load. The delay is measured from the CCC output to the clock pin of a sequential element, located in a lightly loaded row (single element is connected to the global net).
2. Value reflects maximum load. The delay is measured on the clock pin of the farthest sequential element, located in a fully loaded row (all available flip-flops are connected to the global net in the row).
3. For specific junction temperature and voltage supply levels, refer to [Table 2-6 on page 2-6](#) for derating values.

1.2 V DC Core Voltage
Table 2-94 • AGLN010 Global Resource
 Commercial-Case Conditions: $T_J = 70^\circ\text{C}$, $V_{CC} = 1.14\text{ V}$

| Parameter | Description | Std. | | Units |
|---------------|---|-------------------|-------------------|-------|
| | | Min. ¹ | Max. ² | |
| t_{RCKL} | Input Low Delay for Global Clock | 1.71 | 2.09 | ns |
| t_{RCKH} | Input High Delay for Global Clock | 1.78 | 2.31 | ns |
| $t_{RCKMPWH}$ | Minimum Pulse Width High for Global Clock | 1.40 | | ns |
| $t_{RCKMPWL}$ | Minimum Pulse Width Low for Global Clock | 1.65 | | ns |
| t_{RCKSW} | Maximum Skew for Global Clock | | 0.53 | ns |

Notes:

1. Value reflects minimum load. The delay is measured from the CCC output to the clock pin of a sequential element, located in a lightly loaded row (single element is connected to the global net).
2. Value reflects maximum load. The delay is measured on the clock pin of the farthest sequential element, located in a fully loaded row (all available flip-flops are connected to the global net in the row).
3. For specific junction temperature and voltage supply levels, refer to [Table 2-7 on page 2-7](#) for derating values.

Table 2-95 • AGLN015 Global Resource
 Commercial-Case Conditions: $T_J = 70^\circ\text{C}$, $V_{CC} = 1.14\text{ V}$

| Parameter | Description | Std. | | Units |
|---------------|---|-------------------|-------------------|-------|
| | | Min. ¹ | Max. ² | |
| t_{RCKL} | Input Low Delay for Global Clock | 1.81 | 2.26 | ns |
| t_{RCKH} | Input High Delay for Global Clock | 1.90 | 2.51 | ns |
| $t_{RCKMPWH}$ | Minimum Pulse Width High for Global Clock | 1.40 | | ns |
| $t_{RCKMPWL}$ | Minimum Pulse Width Low for Global Clock | 1.65 | | ns |
| t_{RCKSW} | Maximum Skew for Global Clock | | 0.61 | ns |

Notes:

1. Value reflects minimum load. The delay is measured from the CCC output to the clock pin of a sequential element, located in a lightly loaded row (single element is connected to the global net).
2. Value reflects maximum load. The delay is measured on the clock pin of the farthest sequential element, located in a fully loaded row (all available flip-flops are connected to the global net in the row).
3. For specific junction temperature and voltage supply levels, refer to [Table 2-7 on page 2-7](#) for derating values.

Table 2-96 • AGLN020 Global Resource
Commercial-Case Conditions: $T_J = 70^\circ\text{C}$, $V_{CC} = 1.14\text{ V}$

| Parameter | Description | Std. | | Units |
|---------------|---|-------------------|-------------------|-------|
| | | Min. ¹ | Max. ² | |
| t_{RCKL} | Input Low Delay for Global Clock | 1.81 | 2.26 | ns |
| t_{RCKH} | Input High Delay for Global Clock | 1.90 | 2.51 | ns |
| $t_{RCKMPWH}$ | Minimum Pulse Width High for Global Clock | 1.40 | | ns |
| $t_{RCKMPWL}$ | Minimum Pulse Width Low for Global Clock | 1.65 | | ns |
| t_{RCKSW} | Maximum Skew for Global Clock | | 0.61 | ns |

Notes:

1. Value reflects minimum load. The delay is measured from the CCC output to the clock pin of a sequential element, located in a lightly loaded row (single element is connected to the global net).
2. Value reflects maximum load. The delay is measured on the clock pin of the farthest sequential element, located in a fully loaded row (all available flip-flops are connected to the global net in the row).
3. For specific junction temperature and voltage supply levels, refer to [Table 2-7 on page 2-7](#) for derating values.

Table 2-97 • AGLN060 Global Resource
Commercial-Case Conditions: $T_J = 70^\circ\text{C}$, $V_{CC} = 1.14\text{ V}$

| Parameter | Description | Std. | | Units |
|---------------|---|-------------------|-------------------|-------|
| | | Min. ¹ | Max. ² | |
| t_{RCKL} | Input Low Delay for Global Clock | 2.02 | 2.42 | ns |
| t_{RCKH} | Input High Delay for Global Clock | 2.09 | 2.65 | ns |
| $t_{RCKMPWH}$ | Minimum Pulse Width High for Global Clock | 1.40 | | ns |
| $t_{RCKMPWL}$ | Minimum Pulse Width Low for Global Clock | 1.65 | | ns |
| t_{RCKSW} | Maximum Skew for Global Clock | | 0.56 | ns |

Notes:

1. Value reflects minimum load. The delay is measured from the CCC output to the clock pin of a sequential element, located in a lightly loaded row (single element is connected to the global net).
2. Value reflects maximum load. The delay is measured on the clock pin of the farthest sequential element, located in a fully loaded row (all available flip-flops are connected to the global net in the row).
3. For specific junction temperature and voltage supply levels, refer to [Table 2-7 on page 2-7](#) for derating values.

Table 2-98 • AGLN125 Global Resource
Commercial-Case Conditions: $T_J = 70^\circ\text{C}$, $V_{CC} = 1.14\text{ V}$

| Parameter | Description | Std. | | Units |
|---------------|---|-------------------|-------------------|-------|
| | | Min. ¹ | Max. ² | |
| t_{RCKL} | Input Low Delay for Global Clock | 2.08 | 2.54 | ns |
| t_{RCKH} | Input High Delay for Global Clock | 2.15 | 2.77 | ns |
| $t_{RCKMPWH}$ | Minimum Pulse Width HIGH for Global Clock | 1.40 | | ns |
| $t_{RCKMPWL}$ | Minimum Pulse Width LOW for Global Clock | 1.65 | | ns |
| t_{RCKSW} | Maximum Skew for Global Clock | | 0.62 | ns |

Notes:

1. Value reflects minimum load. The delay is measured from the CCC output to the clock pin of a sequential element, located in a lightly loaded row (single element is connected to the global net).
2. Value reflects maximum load. The delay is measured on the clock pin of the farthest sequential element, located in a fully loaded row (all available flip-flops are connected to the global net in the row).
3. For specific junction temperature and voltage supply levels, refer to [Table 2-7 on page 2-7](#) for derating values.

Table 2-99 • AGLN250 Global Resource
Commercial-Case Conditions: $T_J = 70^\circ\text{C}$, $V_{CC} = 1.14\text{ V}$

| Parameter | Description | Std. | | Units |
|---------------|---|-------------------|-------------------|-------|
| | | Min. ¹ | Max. ² | |
| t_{RCKL} | Input Low Delay for Global Clock | 2.11 | 2.57 | ns |
| t_{RCKH} | Input High Delay for Global Clock | 2.19 | 2.81 | ns |
| $t_{RCKMPWH}$ | Minimum Pulse Width High for Global Clock | 1.40 | | ns |
| $t_{RCKMPWL}$ | Minimum Pulse Width Low for Global Clock | 1.65 | | ns |
| t_{RCKSW} | Maximum Skew for Global Clock | | 0.62 | ns |

Notes:

1. Value reflects minimum load. The delay is measured from the CCC output to the clock pin of a sequential element, located in a lightly loaded row (single element is connected to the global net).
2. Value reflects maximum load. The delay is measured on the clock pin of the farthest sequential element, located in a fully loaded row (all available flip-flops are connected to the global net in the row).
3. For specific junction temperature and voltage supply levels, refer to [Table 2-7 on page 2-7](#) for derating values.

Clock Conditioning Circuits

CCC Electrical Specifications

Timing Characteristics

Table 2-100 • IGLOO nano CCC/PLL Specification
For IGLOO nano V2 OR V5 Devices, 1.5 V DC Core Supply Voltage

| Parameter | Min. | Typ. | Max. | Units | |
|---|---|------------------|---------|----------|-----------------|
| Clock Conditioning Circuitry Input Frequency f_{IN_CCC} | 1.5 | | 250 | MHz | |
| Clock Conditioning Circuitry Output Frequency f_{OUT_CCC} | 0.75 | | 250 | MHz | |
| Delay Increments in Programmable Delay Blocks ^{1,2} | | 360 ³ | | ps | |
| Number of Programmable Values in Each Programmable Delay Block | | | 32 | | |
| Serial Clock (SCLK) for Dynamic PLL ^{4,9} | | | 100 | MHz | |
| Input Cycle-to-Cycle Jitter (peak magnitude) | | | 1 | ns | |
| Acquisition Time | | | | | |
| | | | | | LockControl = 0 |
| | | | | | |
| | | | | | |
| | | | 6.0 | ms | |
| Tracking Jitter ⁵ | | | | | |
| | | | | | LockControl = 0 |
| | | | | | |
| | | | 1.5 | ns | |
| Output Duty Cycle | 48.5 | | 51.5 | % | |
| Delay Range in Block: Programmable Delay 1 ^{1,2} | 1.25 | | 15.65 | ns | |
| Delay Range in Block: Programmable Delay 2 ^{1,2} | 0.025 | | 15.65 | ns | |
| Delay Range in Block: Fixed Delay ^{1,2} | | 3.5 | | ns | |
| VCO Output Peak-to-Peak Period Jitter F_{CCC_OUT} ⁶ | Max Peak-to-Peak Jitter Data ^{6,7,8} | | | | |
| | SSO ≤ 2 | SSO ≤ 4 | SSO ≤ 8 | SSO ≤ 16 | |
| 0.75 MHz to 50 MHz | 0.50 | 0.60 | 0.80 | 1.20 | % |
| 50 MHz to 250 MHz | 2.50 | 4.00 | 6.00 | 12.00 | % |

Notes:

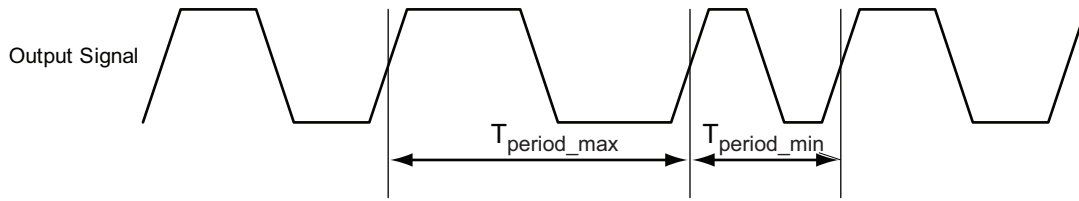
1. This delay is a function of voltage and temperature. See [Table 2-6 on page 2-6](#) and [Table 2-7 on page 2-7](#) for deratings.
2. $T_J = 25^\circ\text{C}$, $V_{CC} = 1.5\text{ V}$
3. When the CCC/PLL core is generated by Microsemi core generator software, not all delay values of the specified delay increments are available. Refer to the Libero SoC Online Help associated with the core for more information.
4. Maximum value obtained for a STD speed grade device in Worst-Case Commercial conditions. For specific junction temperature and voltage supply levels, refer to [Table 2-6 on page 2-6](#) and [Table 2-7 on page 2-7](#) for derating values.
5. Tracking jitter is defined as the variation in clock edge position of PLL outputs with reference to PLL input clock edge. Tracking jitter does not measure the variation in PLL output period, which is covered by the period jitter parameter.
6. VCO output jitter is calculated as a percentage of the VCO frequency. The jitter (in ps) can be calculated by multiplying the VCO period by the % jitter. The VCO jitter (in ps) applies to CCC_OUT, regardless of the output divider settings. For example, if the jitter on VCO is 300 ps, the jitter on CCC_OUT is also 300 ps, no matter what the settings are for the output divider.
7. Measurements done with LVTTTL 3.3 V 8 mA I/O drive strength and high slew rate. $V_{CC}/V_{CCPLL} = 1.425\text{ V}$, $V_{CCI} = 3.3\text{ V}$, VQ/PQ/TQ type of packages, 20 pF load.
8. SSOs are outputs that are synchronous to a single clock domain and have their clock-to-out times within $\pm 200\text{ ps}$ of each other. Switching I/Os are placed outside of the PLL bank. Refer to the "Simultaneously Switching Outputs (SSOs) and Printed Circuit Board Layout" section in the IGLOO nano FPGA Fabric User's Guide.
9. The AGLN010, AGLN015, and AGLN020 devices do not support PLLs.

Table 2-101 • IGLOO nano CCC/PLL Specification
For IGLOO nano V2 Devices, 1.2 V DC Core Supply Voltage

| Parameter | Min. | Typ. | Max. | Units | |
|---|---|------------------|---------|----------|-----------------|
| Clock Conditioning Circuitry Input Frequency f_{IN_CCC} | 1.5 | | 160 | MHz | |
| Clock Conditioning Circuitry Output Frequency f_{OUT_CCC} | 0.75 | | 160 | MHz | |
| Delay Increments in Programmable Delay Blocks ^{1, 2} | | 580 ³ | | ps | |
| Number of Programmable Values in Each Programmable Delay Block | | | 32 | | |
| Serial Clock (SCLK) for Dynamic PLL ^{4, 9} | | | 60 | | |
| Input Cycle-to-Cycle Jitter (peak magnitude) | | | 0.25 | ns | |
| Acquisition Time | | | | | |
| | | | | | LockControl = 0 |
| | | | | | |
| | | | | | |
| | | | | | |
| Tracking Jitter ⁵ | | | | | |
| | | | | | LockControl = 0 |
| | | | | | |
| | | | | | |
| Output Duty Cycle | 48.5 | | 51.5 | % | |
| Delay Range in Block: Programmable Delay 1 ^{1, 2} | 2.3 | | 20.86 | ns | |
| Delay Range in Block: Programmable Delay 2 ^{1, 2} | 0.025 | | 20.86 | ns | |
| Delay Range in Block: Fixed Delay ^{1, 2} | | 5.7 | | ns | |
| VCO Output Peak-to-Peak Period Jitter F_{CCC_OUT} ⁶ | Max Peak-to-Peak Period Jitter ^{6, 7, 8} | | | | |
| | SSO ≤ 2 | SSO ≤ 4 | SSO ≤ 8 | SSO ≤ 16 | |
| 0.75 MHz to 50MHz | 0.50 | 1.20 | 2.00 | 3.00 | % |
| 50 MHz to 100 MHz | 2.50 | 5.00 | 7.00 | 15.00 | % |

Notes:

1. This delay is a function of voltage and temperature. See [Table 2-6 on page 2-6](#) and [Table 2-7 on page 2-7](#) for deratings.
2. $T_J = 25^\circ\text{C}$, $V_{CC} = 1.2\text{ V}$.
3. When the CCC/PLL core is generated by Microsemi core generator software, not all delay values of the specified delay increments are available. Refer to the Libero SoC Online Help associated with the core for more information.
4. Maximum value obtained for a STD speed grade device in Worst-Case Commercial conditions. For specific junction temperature and voltage supply levels, refer to [Table 2-6 on page 2-6](#) and [Table 2-7 on page 2-7](#) for derating values.
5. Tracking jitter is defined as the variation in clock edge position of PLL outputs with reference to the PLL input clock edge. Tracking jitter does not measure the variation in PLL output period, which is covered by the period jitter parameter.
6. VCO output jitter is calculated as a percentage of the VCO frequency. The jitter (in ps) can be calculated by multiplying the VCO period by the % jitter. The VCO jitter (in ps) applies to CCC_OUT, regardless of the output divider settings. For example, if the jitter on VCO is 300 ps, the jitter on CCC_OUT is also 300 ps, no matter what the settings are for the output divider.
7. Measurements done with LVTTTL 3.3 V 8 mA I/O drive strength and high slew rate. $V_{CC}/V_{CCPLL} = 1.14\text{ V}$, $V_{CCI} = 3.3\text{ V}$, VQ/PQ/TQ type of packages, 20 pF load.
8. SSOs are outputs that are synchronous to a single clock domain and have their clock-to-out times within $\pm 200\text{ ps}$ of each other. Switching I/Os are placed outside of the PLL bank. Refer to the "Simultaneously Switching Outputs (SSOs) and Printed Circuit Board Layout" section in the [IGLOO nano FPGA Fabric User's Guide](#).
9. The AGLN010, AGLN015, and AGLN020 devices do not support PLLs.



Note: Peak-to-peak jitter measurements are defined by $T_{\text{peak-to-peak}} = T_{\text{period_max}} - T_{\text{period_min}}$.

Figure 2-26 • Peak-to-Peak Jitter Definition

Embedded SRAM and FIFO Characteristics

SRAM

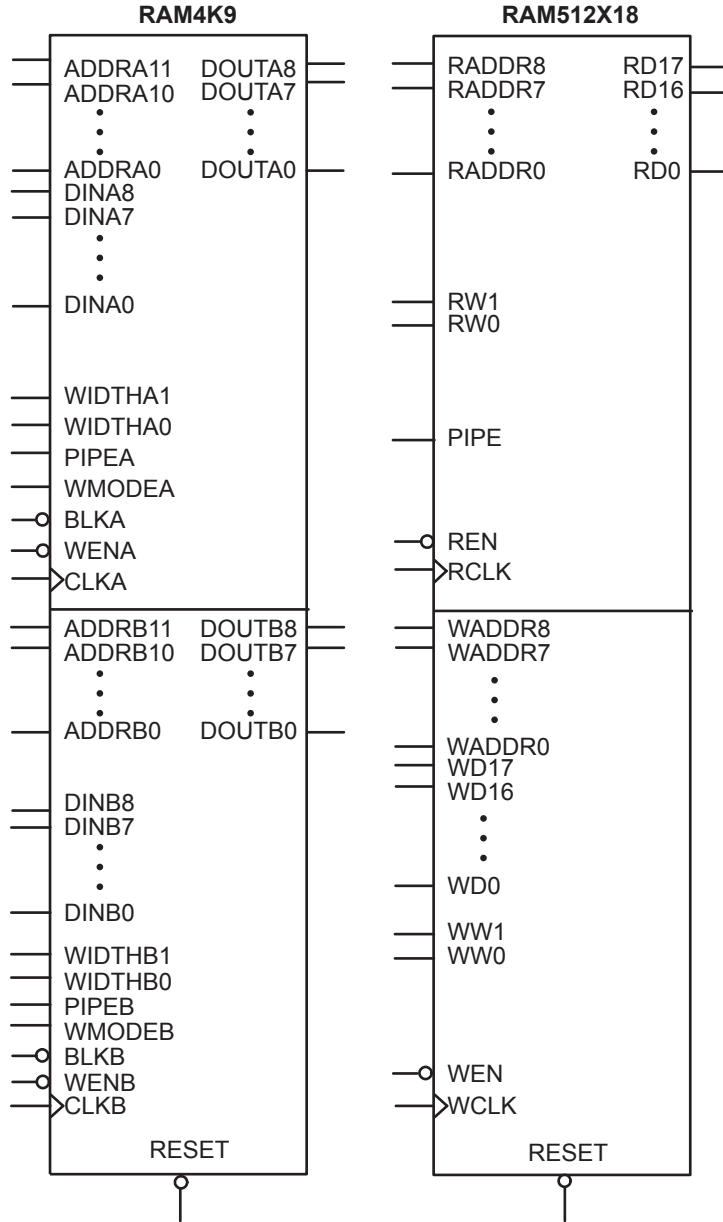


Figure 2-27 • RAM Models

Timing Waveforms

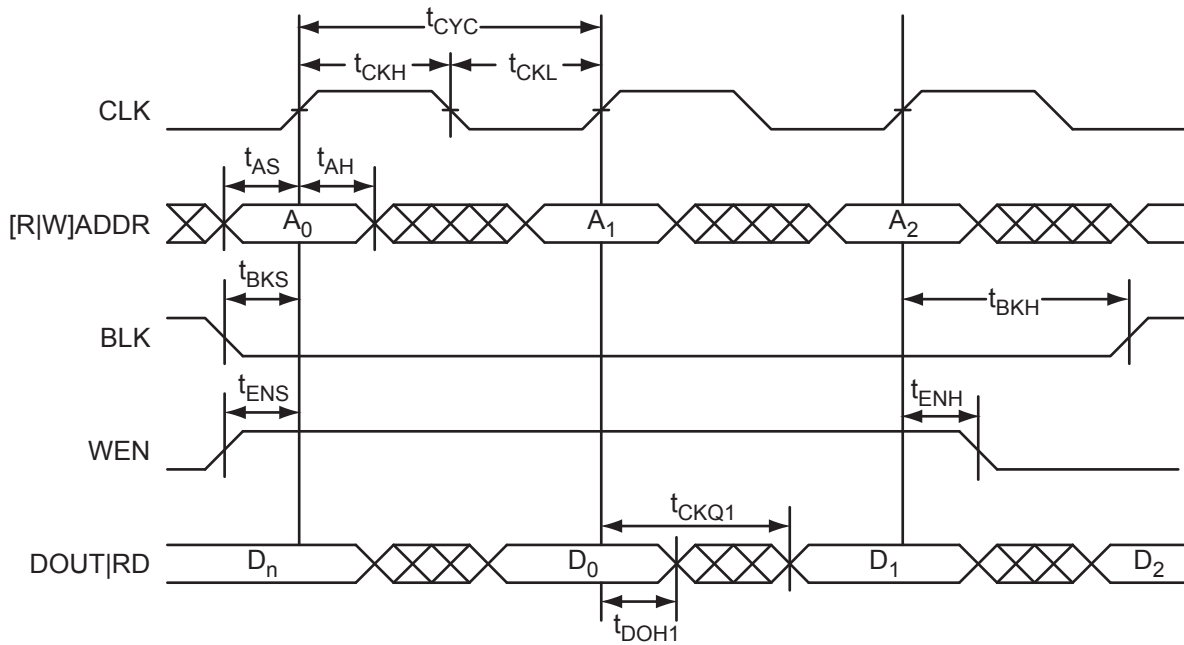


Figure 2-28 • RAM Read for Pass-Through Output. Applicable to Both RAM4K9 and RAM512x18.

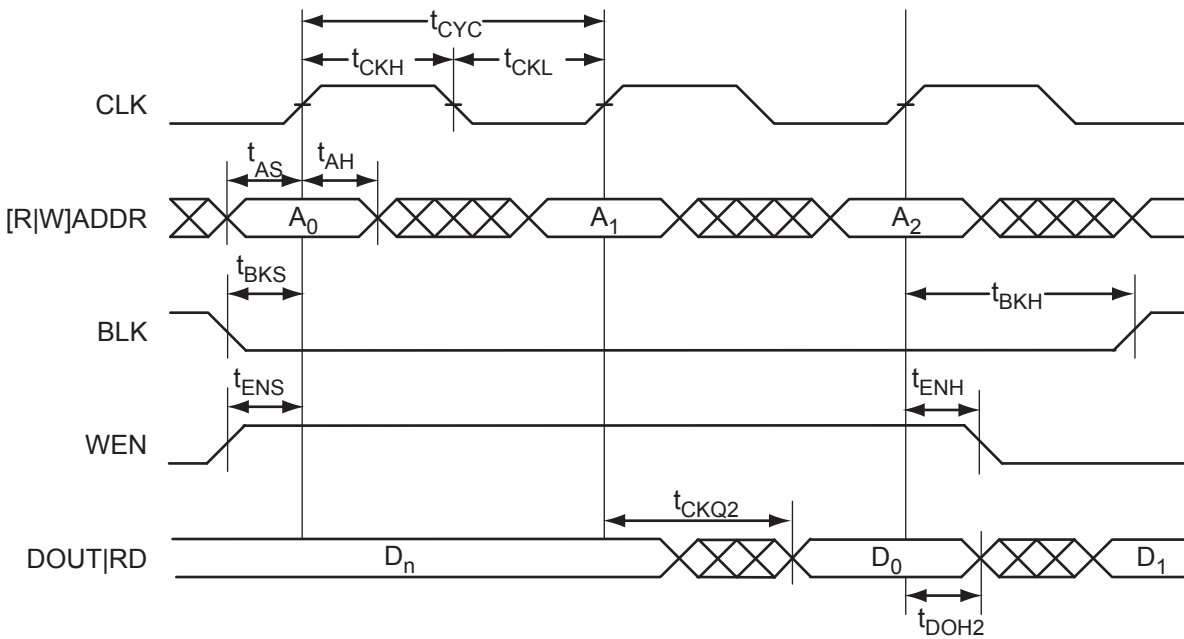


Figure 2-29 • RAM Read for Pipelined Output. Applicable to Both RAM4K9 and RAM512x18.

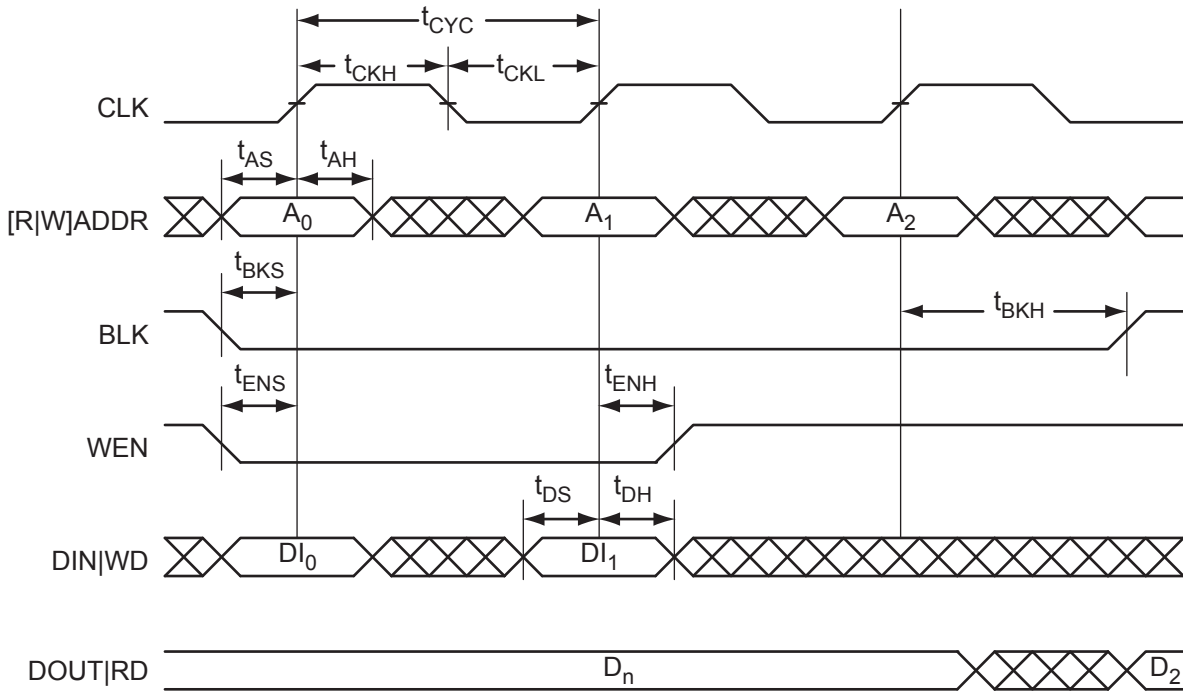


Figure 2-30 • RAM Write, Output Retained (WMODE = 0). Applicable to Both RAM4K9 and RAM512x18.

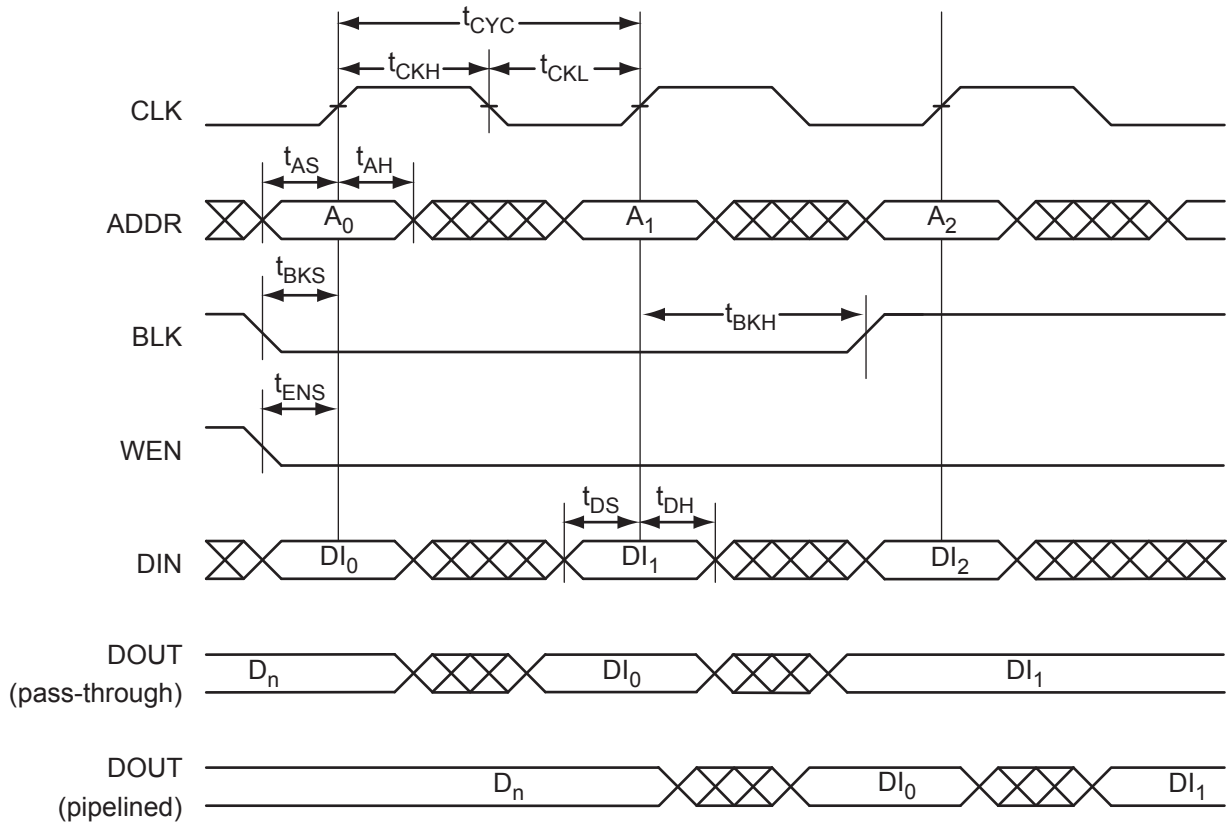


Figure 2-31 • RAM Write, Output as Write Data (WMODE = 1). Applicable to RAM4K9 Only.

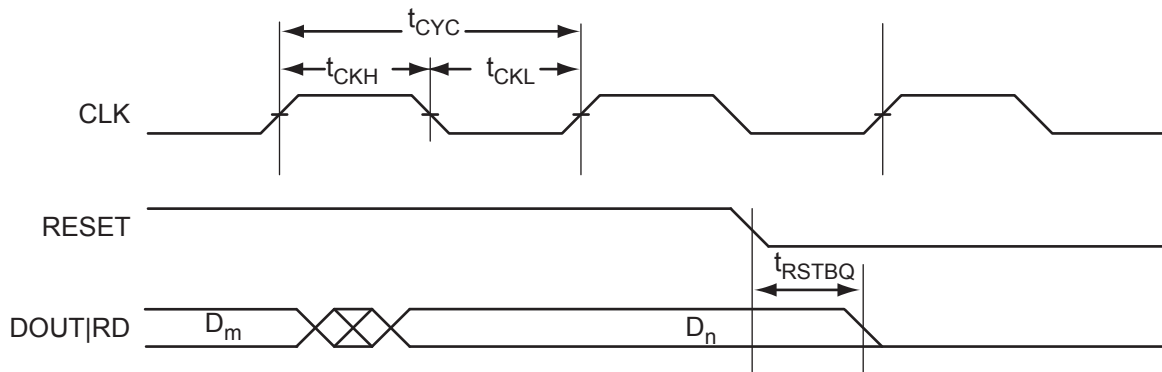


Figure 2-32 • RAM Reset. Applicable to Both RAM4K9 and RAM512x18.

Timing Characteristics

1.5 V DC Core Voltage

Table 2-102 • RAM4K9

 Commercial-Case Conditions: $T_J = 70^\circ\text{C}$, Worst-Case $V_{CC} = 1.425\text{ V}$

| Parameter | Description | Std. | Units |
|----------------|---|------|-------|
| t_{AS} | Address setup time | 0.69 | ns |
| t_{AH} | Address hold time | 0.13 | ns |
| t_{ENS} | REN, WEN setup time | 0.68 | ns |
| t_{ENH} | REN, WEN hold time | 0.13 | ns |
| t_{BKS} | BLK setup time | 1.37 | ns |
| t_{BKH} | BLK hold time | 0.13 | ns |
| t_{DS} | Input data (DIN) setup time | 0.59 | ns |
| t_{DH} | Input data (DIN) hold time | 0.30 | ns |
| t_{CKQ1} | Clock HIGH to new data valid on DOUT (output retained, WMODE = 0) | 2.94 | ns |
| | Clock HIGH to new data valid on DOUT (flow-through, WMODE = 1) | 2.55 | ns |
| t_{CKQ2} | Clock HIGH to new data valid on DOUT (pipelined) | 1.51 | ns |
| t_{C2CWWL}^1 | Address collision clk-to-clk delay for reliable write after write on same address; applicable to closing edge | 0.23 | ns |
| t_{C2CRWH}^1 | Address collision clk-to-clk delay for reliable read access after write on same address; applicable to opening edge | 0.35 | ns |
| t_{C2CWRH}^1 | Address collision clk-to-clk delay for reliable write access after read on same address; applicable to opening edge | 0.41 | ns |
| t_{RSTBQ} | RESET Low to data out Low on DOUT (flow-through) | 1.72 | ns |
| | RESET Low to data out Low on DOUT (pipelined) | 1.72 | ns |
| $t_{REMRSTB}$ | RESET removal | 0.51 | ns |
| $t_{RECRSTB}$ | RESET recovery | 2.68 | ns |
| $t_{MPWRSTB}$ | RESET minimum pulse width | 0.68 | ns |
| t_{CYC} | Clock cycle time | 6.24 | ns |
| F_{MAX} | Maximum frequency | 160 | MHz |

Notes:

1. For more information, refer to the application note [Simultaneous Read-Write Operations in Dual-Port SRAM for Flash-Based cSoCs and FPGAs](#).
2. For specific junction temperature and voltage supply levels, refer to [Table 2-6 on page 2-6](#) for derating values.

Table 2-103 • RAM512X18
Commercial-Case Conditions: $T_J = 70^\circ\text{C}$, Worst-Case $V_{CC} = 1.425\text{ V}$

| Parameter | Description | Std. | Units |
|----------------|---|------|-------|
| t_{AS} | Address setup time | 0.69 | ns |
| t_{AH} | Address hold time | 0.13 | ns |
| t_{ENS} | REN, WEN setup time | 0.61 | ns |
| t_{ENH} | REN, WEN hold time | 0.07 | ns |
| t_{DS} | Input data (WD) setup time | 0.59 | ns |
| t_{DH} | Input data (WD) hold time | 0.30 | ns |
| t_{CKQ1} | Clock HIGH to new data valid on RD (output retained) | 3.51 | ns |
| t_{CKQ2} | Clock HIGH to new data valid on RD (pipelined) | 1.43 | ns |
| t_{C2CRWH}^1 | Address collision clk-to-clk delay for reliable read access after write on same address; applicable to opening edge | 0.35 | ns |
| t_{C2CWRH}^1 | Address collision clk-to-clk delay for reliable write access after read on same address; applicable to opening edge | 0.42 | ns |
| t_{RSTBQ} | RESET Low to data out Low on RD (flow-through) | 1.72 | ns |
| | RESET Low to data out Low on RD (pipelined) | 1.72 | ns |
| $t_{REMRSTB}$ | RESET removal | 0.51 | 0.51 |
| $t_{RECRSTB}$ | RESET recovery | 2.68 | ns |
| $t_{MPWRSTB}$ | RESET minimum pulse width | 0.68 | ns |
| t_{CYC} | Clock cycle time | 6.24 | ns |
| F_{MAX} | Maximum frequency | 160 | MHz |

Notes:

1. For more information, refer to the application note [Simultaneous Read-Write Operations in Dual-Port SRAM for Flash-Based cSoCs and FPGAs](#).
2. For specific junction temperature and voltage supply levels, refer to [Table 2-6 on page 2-6](#) for derating values.

1.2 V DC Core Voltage

Table 2-104 • RAM4K9

 Commercial-Case Conditions: $T_J = 70^\circ\text{C}$, Worst-Case $V_{CC} = 1.14\text{ V}$

| Parameter | Description | Std. | Units |
|----------------|---|-------|-------|
| t_{AS} | Address setup time | 1.28 | ns |
| t_{AH} | Address hold time | 0.25 | ns |
| t_{ENS} | REN, WEN setup time | 1.25 | ns |
| t_{ENH} | REN, WEN hold time | 0.25 | ns |
| t_{BKS} | BLK setup time | 2.54 | ns |
| t_{BKH} | BLK hold time | 0.25 | ns |
| t_{DS} | Input data (DIN) setup time | 1.10 | ns |
| t_{DH} | Input data (DIN) hold time | 0.55 | ns |
| t_{CKQ1} | Clock HIGH to new data valid on DOUT (output retained, WMODE = 0) | 5.51 | ns |
| | Clock HIGH to new data valid on DOUT (flow-through, WMODE = 1) | 4.77 | ns |
| t_{CKQ2} | Clock HIGH to new data valid on DOUT (pipelined) | 2.82 | ns |
| t_{C2CWWL}^1 | Address collision clk-to-clk delay for reliable write after write on same address; applicable to closing edge | 0.30 | ns |
| t_{C2CRWH}^1 | Address collision clk-to-clk delay for reliable read access after write on same address; applicable to opening edge | 0.89 | ns |
| t_{C2CWRH}^1 | Address collision clk-to-clk delay for reliable write access after read on same address; applicable to opening edge | 1.01 | ns |
| t_{RSTBQ} | RESET LOW to data out LOW on DOUT (flow-through) | 3.21 | ns |
| | RESET LOW to data out LOW on DO (pipelined) | 3.21 | ns |
| $t_{REMRSTB}$ | RESET removal | 0.93 | ns |
| $t_{RECRSTB}$ | RESET recovery | 4.94 | ns |
| $t_{MPWRSTB}$ | RESET minimum pulse width | 1.18 | ns |
| t_{CYC} | Clock cycle time | 10.90 | ns |
| F_{MAX} | Maximum frequency | 92 | MHz |

Notes:

1. For more information, refer to the application note [Simultaneous Read-Write Operations in Dual-Port SRAM for Flash-Based cSoCs and FPGAs](#).
2. For specific junction temperature and voltage supply levels, refer to [Table 2-7 on page 2-7](#) for derating values.

Table 2-105 • RAM512X18
Commercial-Case Conditions: $T_J = 70^\circ\text{C}$, Worst-Case $V_{CC} = 1.14\text{ V}$

| Parameter | Description | Std. | Units |
|----------------|---|-------|-------|
| t_{AS} | Address setup time | 1.28 | ns |
| t_{AH} | Address hold time | 0.25 | ns |
| t_{ENS} | REN, WEN setup time | 1.13 | ns |
| t_{ENH} | REN, WEN hold time | 0.13 | ns |
| t_{DS} | Input data (WD) setup time | 1.10 | ns |
| t_{DH} | Input data (WD) hold time | 0.55 | ns |
| t_{CKQ1} | Clock High to new data valid on RD (output retained) | 6.56 | ns |
| t_{CKQ2} | Clock High to new data valid on RD (pipelined) | 2.67 | ns |
| t_{C2CRWH}^1 | Address collision clk-to-clk delay for reliable read access after write on same address; applicable to opening edge | 0.87 | ns |
| t_{C2CWRH}^1 | Address collision clk-to-clk delay for reliable write access after read on same address; applicable to opening edge | 1.04 | ns |
| t_{RSTBQ} | RESET LOW to data out LOW on RD (flow through) | 3.21 | ns |
| | RESET LOW to data out LOW on RD (pipelined) | 3.21 | ns |
| $t_{REMRSTB}$ | RESET removal | 0.93 | ns |
| $t_{RECRSTB}$ | RESET recovery | 4.94 | ns |
| $t_{MPWRSTB}$ | RESET minimum pulse width | 1.18 | ns |
| t_{CYC} | Clock cycle time | 10.90 | ns |
| F_{MAX} | Maximum frequency | 92 | MHz |

Notes:

1. For more information, refer to the application note [Simultaneous Read-Write Operations in Dual-Port SRAM for Flash-Based cSoCs and FPGAs](#).
2. For specific junction temperature and voltage supply levels, refer to [Table 2-7 on page 2-7](#) for derating values.

FIFO

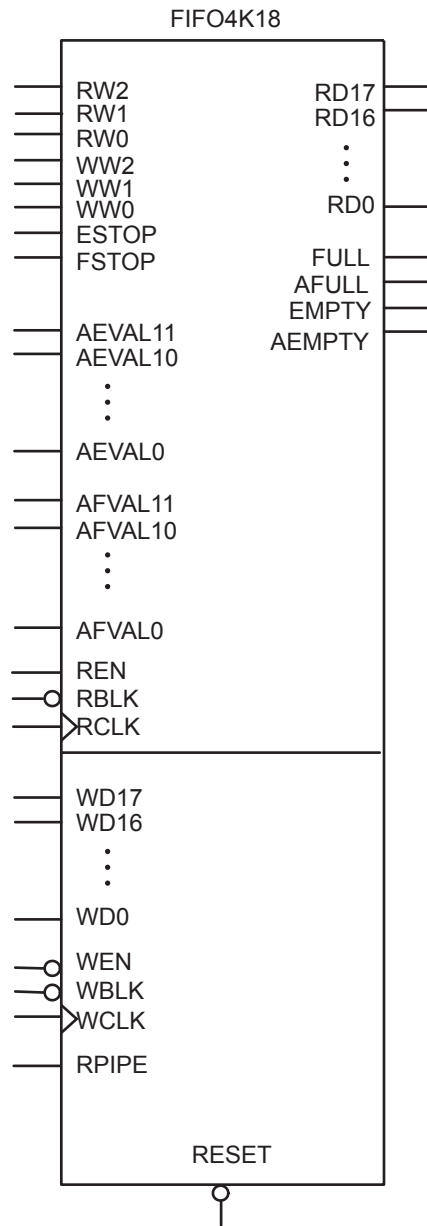


Figure 2-33 • FIFO Model

Timing Waveforms

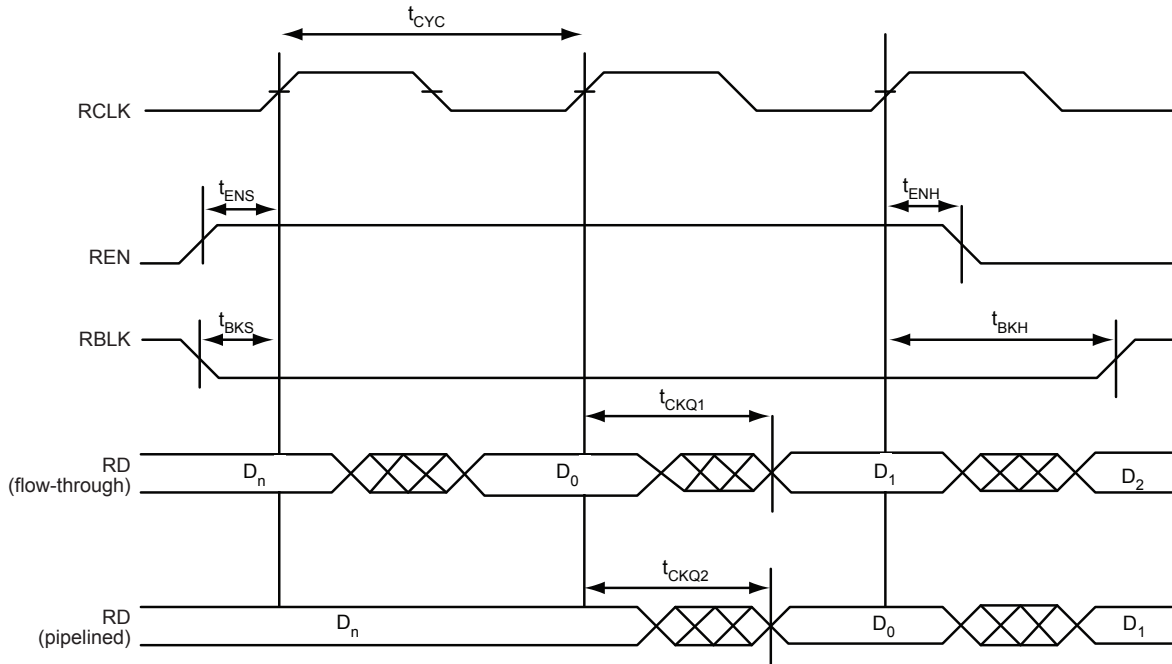


Figure 2-34 • FIFO Read

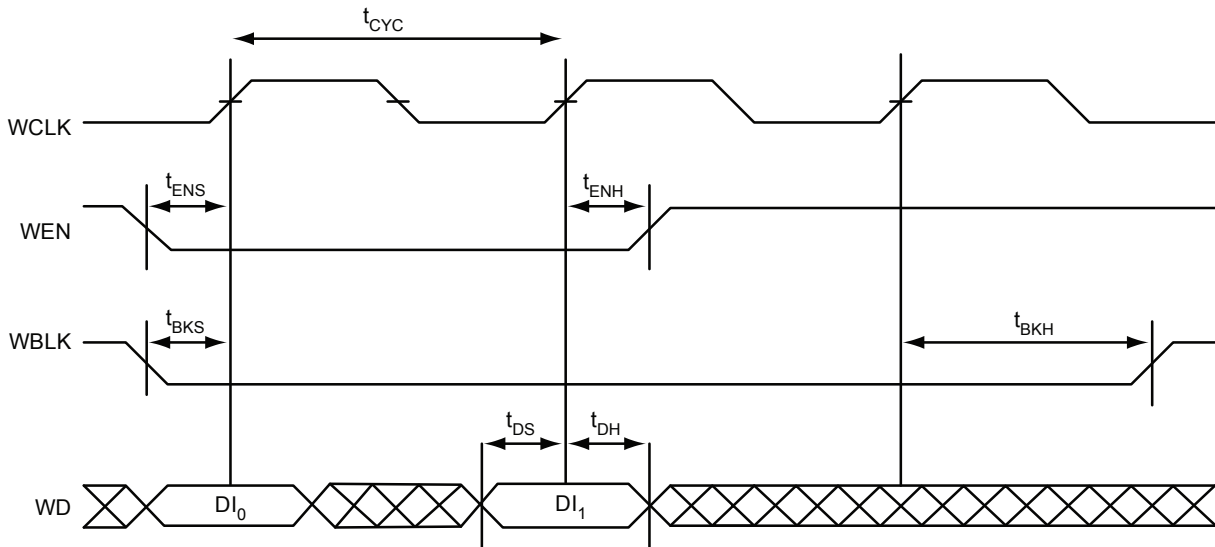
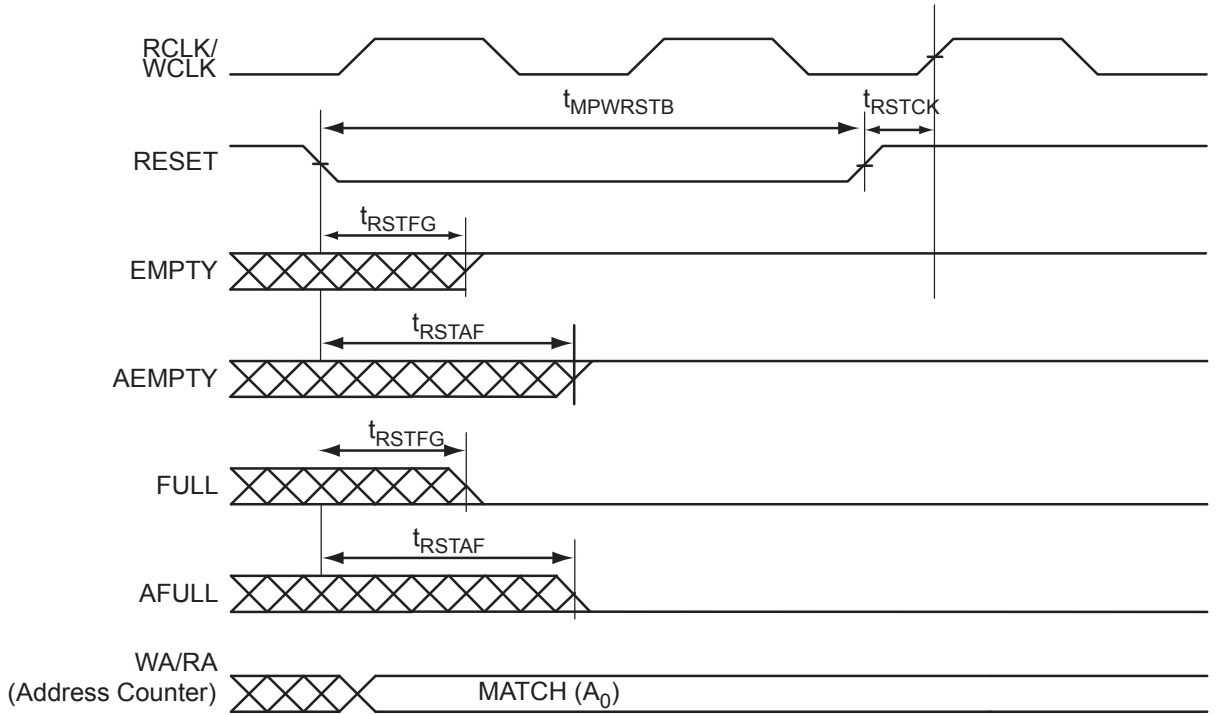
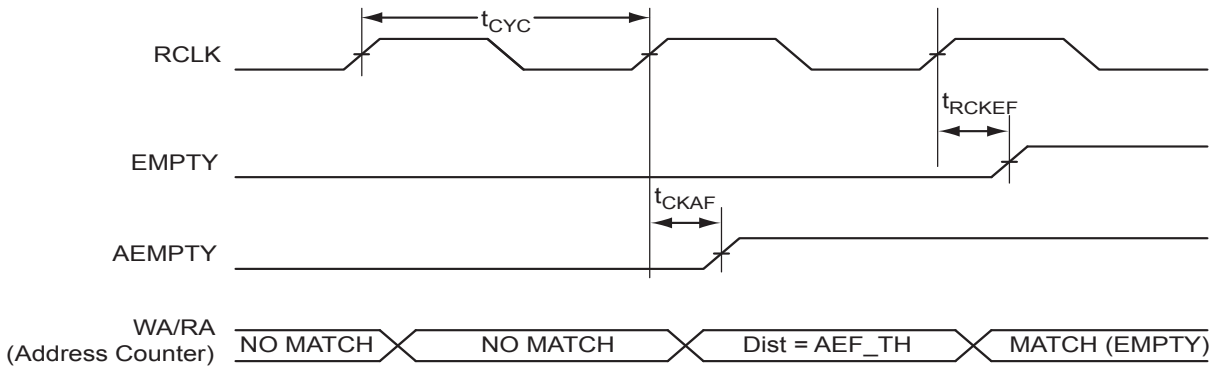
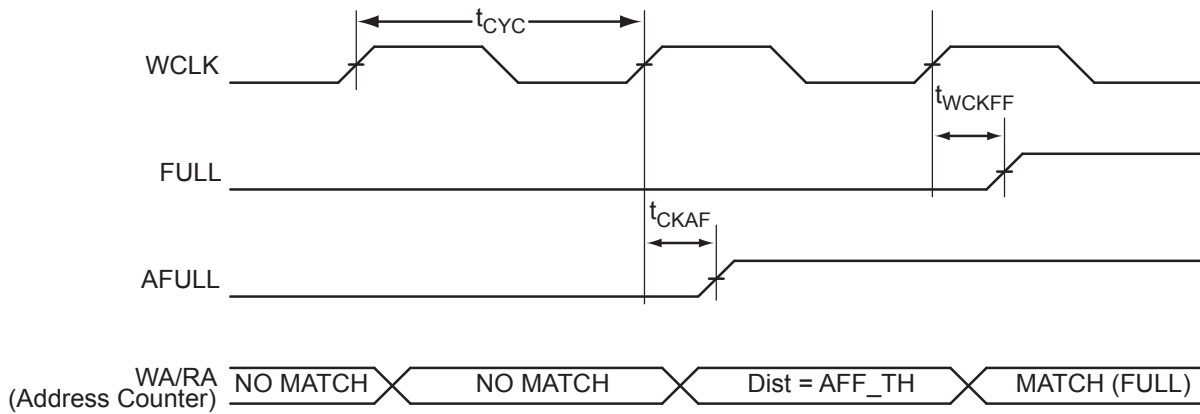
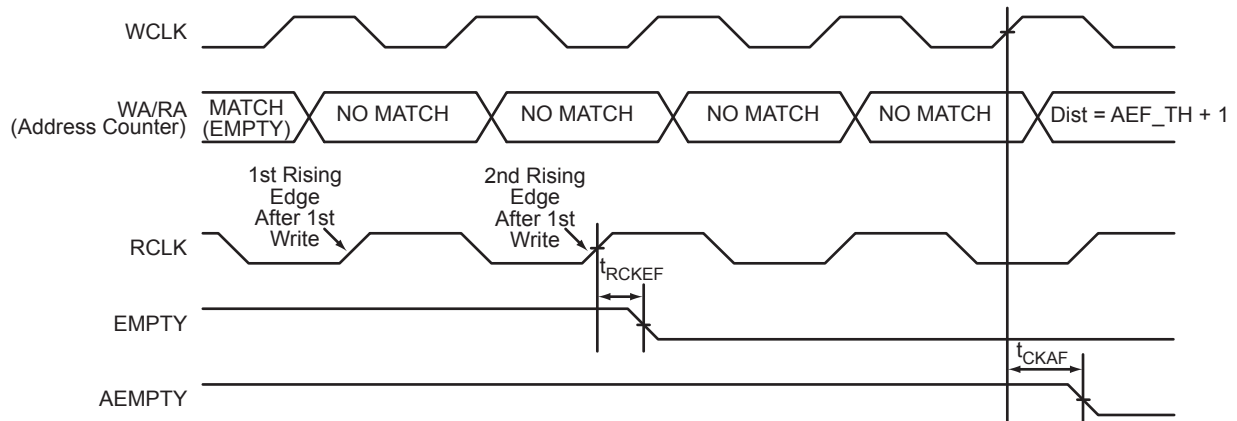
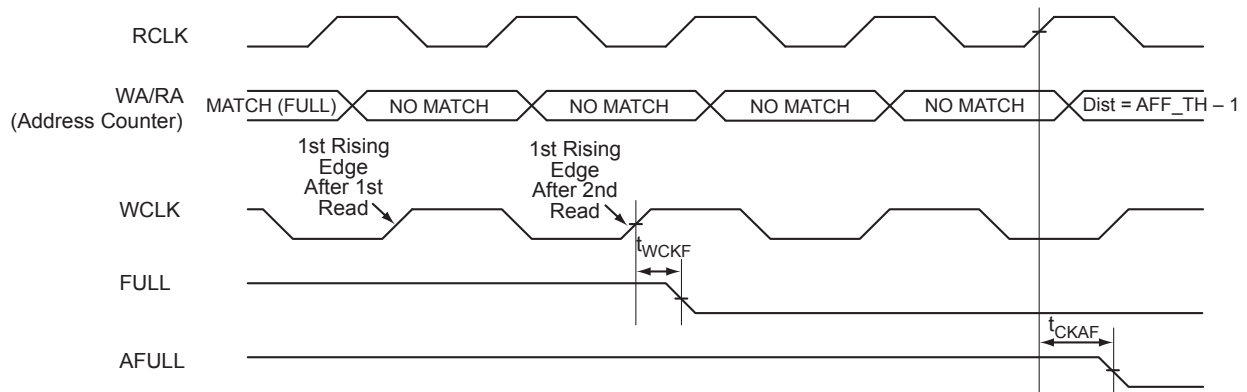


Figure 2-35 • FIFO Write


Figure 2-36 • FIFO Reset

Figure 2-37 • FIFO EMPTY Flag and AEMPTY Flag Assertion


Figure 2-38 • FIFO FULL Flag and AFULL Flag Assertion

Figure 2-39 • FIFO EMPTY Flag and AEMPTY Flag Deassertion

Figure 2-40 • FIFO FULL Flag and AFULL Flag Deassertion

Timing Characteristics

1.5 V DC Core Voltage

Table 2-106 • FIFO
Worst Commercial-Case Conditions: $T_J = 70^\circ\text{C}$, $V_{CC} = 1.425\text{ V}$

| Parameter | Description | Std. | Units |
|---------------|---|-------|-------|
| t_{ENS} | REN, WEN Setup Time | 1.66 | ns |
| t_{ENH} | REN, WEN Hold Time | 0.13 | ns |
| t_{BKS} | BLK Setup Time | 0.30 | ns |
| t_{BKH} | BLK Hold Time | 0.00 | ns |
| t_{DS} | Input Data (WD) Setup Time | 0.63 | ns |
| t_{DH} | Input Data (WD) Hold Time | 0.20 | ns |
| t_{CKQ1} | Clock High to New Data Valid on RD (flow-through) | 2.77 | ns |
| t_{CKQ2} | Clock High to New Data Valid on RD (pipelined) | 1.50 | ns |
| t_{RCKEF} | RCLK High to Empty Flag Valid | 2.94 | ns |
| t_{WCKFF} | WCLK High to Full Flag Valid | 2.79 | ns |
| t_{CKAF} | Clock High to Almost Empty/Full Flag Valid | 10.71 | ns |
| t_{RSTFG} | RESET Low to Empty/Full Flag Valid | 2.90 | ns |
| t_{RSTAF} | RESET Low to Almost Empty/Full Flag Valid | 10.60 | ns |
| t_{RSTBQ} | RESET Low to Data Out LOW on RD (flow-through) | 1.68 | ns |
| | RESET Low to Data Out LOW on RD (pipelined) | 1.68 | ns |
| $t_{REMRSTB}$ | RESET Removal | 0.51 | ns |
| $t_{RECRSTB}$ | RESET Recovery | 2.68 | ns |
| $t_{MPWRSTB}$ | RESET Minimum Pulse Width | 0.68 | ns |
| t_{CYC} | Clock Cycle Time | 6.24 | ns |
| F_{MAX} | Maximum Frequency for FIFO | 160 | MHz |

Note: For specific junction temperature and voltage supply levels, refer to [Table 2-6 on page 2-6](#) for derating values.

1.2 V DC Core Voltage

Table 2-107 • FIFO
Worst Commercial-Case Conditions: $T_J = 70^\circ\text{C}$, $V_{CC} = 1.14\text{ V}$

| Parameter | Description | Std. | Units |
|---------------|---|-------|-------|
| t_{ENS} | REN, WEN Setup Time | 3.44 | ns |
| t_{ENH} | REN, WEN Hold Time | 0.26 | ns |
| t_{BKS} | BLK Setup Time | 0.30 | ns |
| t_{BKH} | BLK Hold Time | 0.00 | ns |
| t_{DS} | Input Data (DI) Setup Time | 1.30 | ns |
| t_{DH} | Input Data (DI) Hold Time | 0.41 | ns |
| t_{CKQ1} | Clock High to New Data Valid on RD (flow-through) | 5.67 | ns |
| t_{CKQ2} | Clock High to New Data Valid on RD (pipelined) | 3.02 | ns |
| t_{RCKEF} | RCLK High to Empty Flag Valid | 6.02 | ns |
| t_{WCKFF} | WCLK High to Full Flag Valid | 5.71 | ns |
| t_{CKAF} | Clock High to Almost Empty/Full Flag Valid | 22.17 | ns |
| t_{RSTFG} | RESET LOW to Empty/Full Flag Valid | 5.93 | ns |
| t_{RSTAF} | RESET LOW to Almost Empty/Full Flag Valid | 21.94 | ns |
| t_{RSTBQ} | RESET LOW to Data Out Low on RD (flow-through) | 3.41 | ns |
| | RESET LOW to Data Out Low on RD (pipelined) | 4.09 | 3.41 |
| $t_{REMRSTB}$ | RESET Removal | 1.02 | ns |
| $t_{RECRSTB}$ | RESET Recovery | 5.48 | ns |
| $t_{MPWRSTB}$ | RESET Minimum Pulse Width | 1.18 | ns |
| t_{CYC} | Clock Cycle Time | 10.90 | ns |
| F_{MAX} | Maximum Frequency for FIFO | 92 | MHz |

Note: For specific junction temperature and voltage supply levels, refer to [Table 2-7 on page 2-7](#) for derating values.

Embedded FlashROM Characteristics

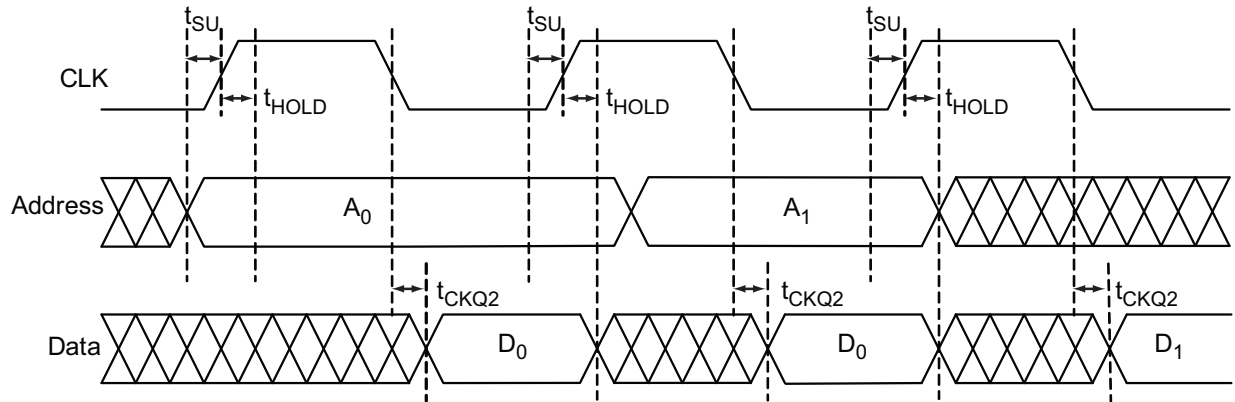


Figure 2-41 • Timing Diagram

Timing Characteristics

1.5 V DC Core Voltage

Table 2-108 • Embedded FlashROM Access Time

Worst Commercial-Case Conditions: $T_J = 70^\circ\text{C}$, $V_{CC} = 1.425\text{ V}$

| Parameter | Description | Std. | Units |
|------------|-------------------------|-------|-------|
| t_{SU} | Address Setup Time | 0.57 | ns |
| t_{HOLD} | Address Hold Time | 0.00 | ns |
| t_{CK2Q} | Clock to Out | 20.90 | ns |
| F_{MAX} | Maximum Clock Frequency | 15 | MHz |

1.2 V DC Core Voltage

Table 2-109 • Embedded FlashROM Access Time

Worst Commercial-Case Conditions: $T_J = 70^\circ\text{C}$, $V_{CC} = 1.14\text{ V}$

| Parameter | Description | Std. | Units |
|------------|-------------------------|-------|-------|
| t_{SU} | Address Setup Time | 0.59 | ns |
| t_{HOLD} | Address Hold Time | 0.00 | ns |
| t_{CK2Q} | Clock to Out | 35.74 | ns |
| F_{MAX} | Maximum Clock Frequency | 10 | MHz |

JTAG 1532 Characteristics

JTAG timing delays do not include JTAG I/Os. To obtain complete JTAG timing, add I/O buffer delays to the corresponding standard selected; refer to the I/O timing characteristics in the "User I/O Characteristics" section on page 2-15 for more details.

Timing Characteristics

1.5 V DC Core Voltage

Table 2-110 • JTAG 1532

Commercial-Case Conditions: $T_J = 70^\circ\text{C}$, Worst-Case VCC = 1.425 V

| Parameter | Description | Std. | Units |
|----------------------|-----------------------------|-------|-------|
| t_{DISU} | Test Data Input Setup Time | 1.00 | ns |
| t_{DIHD} | Test Data Input Hold Time | 2.00 | ns |
| t_{TMSU} | Test Mode Select Setup Time | 1.00 | ns |
| t_{TMDHD} | Test Mode Select Hold Time | 2.00 | ns |
| t_{TCK2Q} | Clock to Q (data out) | 8.00 | ns |
| t_{RSTB2Q} | Reset to Q (data out) | 25.00 | ns |
| F_{TCKMAX} | TCK Maximum Frequency | 15 | MHz |
| t_{TRSTREM} | ResetB Removal Time | 0.58 | ns |
| t_{TRSTREC} | ResetB Recovery Time | 0.00 | ns |
| t_{TRSTMPW} | ResetB Minimum Pulse | TBD | ns |

Note: For specific junction temperature and voltage supply levels, refer to Table 2-6 on page 2-6 for derating values.

1.2 V DC Core Voltage

Table 2-111 • JTAG 1532

Commercial-Case Conditions: $T_J = 70^\circ\text{C}$, Worst-Case VCC = 1.14 V

| Parameter | Description | Std. | Units |
|----------------------|-----------------------------|-------|-------|
| t_{DISU} | Test Data Input Setup Time | 1.50 | ns |
| t_{DIHD} | Test Data Input Hold Time | 3.00 | ns |
| t_{TMSU} | Test Mode Select Setup Time | 1.50 | ns |
| t_{TMDHD} | Test Mode Select Hold Time | 3.00 | ns |
| t_{TCK2Q} | Clock to Q (data out) | 11.00 | ns |
| t_{RSTB2Q} | Reset to Q (data out) | 30.00 | ns |
| F_{TCKMAX} | TCK Maximum Frequency | 9.00 | MHz |
| t_{TRSTREM} | ResetB Removal Time | 1.18 | ns |
| t_{TRSTREC} | ResetB Recovery Time | 0.00 | ns |
| t_{TRSTMPW} | ResetB Minimum Pulse | TBD | ns |

Note: For specific junction temperature and voltage supply levels, refer to Table 2-6 on page 2-6 for derating values.

3 – Pin Descriptions

Supply Pins

GND**Ground**

Ground supply voltage to the core, I/O outputs, and I/O logic.

GNDQ**Ground (quiet)**

Quiet ground supply voltage to input buffers of I/O banks. Within the package, the GNDQ plane is decoupled from the simultaneous switching noise originated from the output buffer ground domain. This minimizes the noise transfer within the package and improves input signal integrity. GNDQ must always be connected to GND on the board.

VCC**Core Supply Voltage**

Supply voltage to the FPGA core, nominally 1.5 V for IGLOO nano V5 devices, and 1.2 V or 1.5 V for IGLOO nano V2 devices. VCC is required for powering the JTAG state machine in addition to VJTAG. Even when a device is in bypass mode in a JTAG chain of interconnected devices, both VCC and VJTAG must remain powered to allow JTAG signals to pass through the device.

VCCIBx**I/O Supply Voltage**

Supply voltage to the bank's I/O output buffers and I/O logic. Bx is the I/O bank number. There are up to eight I/O banks on low power flash devices plus a dedicated VJTAG bank. Each bank can have a separate VCCI connection. All I/Os in a bank will run off the same VCCIBx supply. VCCI can be 1.2 V, 1.5 V, 1.8 V, 2.5 V, or 3.3 V, nominal voltage. Unused I/O banks should have their corresponding VCCI pins tied to GND.

VMVx**I/O Supply Voltage (quiet)**

Quiet supply voltage to the input buffers of each I/O bank. x is the bank number. Within the package, the VMV plane biases the input stage of the I/Os in the I/O banks. This minimizes the noise transfer within the package and improves input signal integrity. Each bank must have at least one VMV connection, and no VMV should be left unconnected. All I/Os in a bank run off the same VMVx supply. VMV is used to provide a quiet supply voltage to the input buffers of each I/O bank. VMVx can be 1.2 V, 1.5 V, 1.8 V, 2.5 V, or 3.3 V, nominal voltage. Unused I/O banks should have their corresponding VMV pins tied to GND. VMV and VCCI should be at the same voltage within a given I/O bank. Used VMV pins must be connected to the corresponding VCCI pins of the same bank (i.e., VMV0 to VCCIB0, VMV1 to VCCIB1, etc.).

VCCPLA/B/C/D/E/F**PLL Supply Voltage**

Supply voltage to analog PLL, nominally 1.5 V or 1.2 V.

When the PLLs are not used, the Microsemi Designer place-and-route tool automatically disables the unused PLLs to lower power consumption. The user should tie unused VCCPLx and VCOMPLx pins to ground. Microsemi recommends tying VCCPLx to VCC and using proper filtering circuits to decouple VCC noise from the PLLs. Refer to the PLL Power Supply Decoupling section of the "Clock Conditioning Circuits in IGLOO and ProASIC3 Devices" chapter in the *IGLOO nano FPGA Fabric User's Guide* for a complete board solution for the PLL analog power supply and ground.

There is one VCCPLF pin on IGLOO nano devices.

VCOMPLA/B/C/D/E/F **PLL Ground**

Ground to analog PLL power supplies. When the PLLs are not used, the Microsemi Designer place-and-route tool automatically disables the unused PLLs to lower power consumption. The user should tie unused VCCPLx and VCOMPLx pins to ground.

There is one VCOMPLF pin on IGLOO nano devices.

VJTAG**JTAG Supply Voltage**

Low power flash devices have a separate bank for the dedicated JTAG pins. The JTAG pins can be run at any voltage from 1.5 V to 3.3 V (nominal). Isolating the JTAG power supply in a separate I/O bank gives greater flexibility in supply selection and simplifies power supply and PCB design. If the JTAG

interface is neither used nor planned for use, the VJTAG pin together with the TRST pin could be tied to GND. It should be noted that VCC is required to be powered for JTAG operation; VJTAG alone is insufficient. If a device is in a JTAG chain of interconnected boards, the board containing the device can be powered down, provided both VJTAG and VCC to the part remain powered; otherwise, JTAG signals will not be able to transition the device, even in bypass mode.

Microsemi recommends that VPUMP and VJTAG power supplies be kept separate with independent filtering capacitors rather than supplying them from a common rail.

VPUMP Programming Supply Voltage

IGLOO nano devices support single-voltage ISP of the configuration flash and FlashROM. For programming, VPUMP should be 3.3 V nominal. During normal device operation, VPUMP can be left floating or can be tied (pulled up) to any voltage between 0 V and the VPUMP maximum. Programming power supply voltage (VPUMP) range is listed in the datasheet.

When the VPUMP pin is tied to ground, it will shut off the charge pump circuitry, resulting in no sources of oscillation from the charge pump circuitry.

For proper programming, 0.01 μF and 0.33 μF capacitors (both rated at 16 V) are to be connected in parallel across VPUMP and GND, and positioned as close to the FPGA pins as possible.

Microsemi recommends that VPUMP and VJTAG power supplies be kept separate with independent filtering capacitors rather than supplying them from a common rail.

User Pins

I/O User Input/Output

The I/O pin functions as an input, output, tristate, or bidirectional buffer. Input and output signal levels are compatible with the I/O standard selected.

During programming, I/Os become tristated and weakly pulled up to VCCI. With VCCI, VMV, and VCC supplies continuously powered up, when the device transitions from programming to operating mode, the I/Os are instantly configured to the desired user configuration.

Unused I/Os are configured as follows:

- Output buffer is disabled (with tristate value of high impedance)
- Input buffer is disabled (with tristate value of high impedance)
- Weak pull-up is programmed

GL Globals

GL I/Os have access to certain clock conditioning circuitry (and the PLL) and/or have direct access to the global network (spines). Additionally, the global I/Os can be used as regular I/Os, since they have identical capabilities. Unused GL pins are configured as inputs with pull-up resistors.

See more detailed descriptions of global I/O connectivity in the "Clock Conditioning Circuits in IGLOO and ProASIC3 Devices" chapter in the *IGLOO nano FPGA Fabric User's Guide*. All inputs labeled GC/GF are direct inputs into the quadrant clocks. For example, if GAA0 is used for an input, GAA1 and GAA2 are no longer available for input to the quadrant globals. All inputs labeled GC/GF are direct inputs into the chip-level globals, and the rest are connected to the quadrant globals. The inputs to the global network are multiplexed, and only one input can be used as a global input.

Refer to the "I/O Structures in nano Devices" chapter of the *IGLOO nano FPGA Fabric User's Guide* for an explanation of the naming of global pins.

FF Flash*Freeze Mode Activation Pin

Flash*Freeze is available on IGLOO nano devices. The FF pin is a dedicated input pin used to enter and exit Flash*Freeze mode. The FF pin is active low, has the same characteristics as a single-ended I/O, and must meet the maximum rise and fall times. When Flash*Freeze mode is not used in the design, the FF pin is available as a regular I/O.

When Flash*Freeze mode is used, the FF pin must not be left floating to avoid accidentally entering Flash*Freeze mode. While in Flash*Freeze mode, the Flash*Freeze pin should be constantly asserted.

The Flash*Freeze pin can be used with any single-ended I/O standard supported by the I/O bank in which the pin is located, and input signal levels compatible with the I/O standard selected. The FF pin

should be treated as a sensitive asynchronous signal. When defining pin placement and board layout, simultaneously switching outputs (SSOs) and their effects on sensitive asynchronous pins must be considered.

Unused FF or I/O pins are tristated with weak pull-up. This default configuration applies to both Flash*Freeze mode and normal operation mode. No user intervention is required.

Table 3-1 shows the Flash*Freeze pin location on the available packages for IGLOO nano devices. The Flash*Freeze pin location is independent of device (except for a PQ208 package), allowing migration to larger or smaller IGLOO nano devices while maintaining the same pin location on the board. Refer to the "Flash*Freeze Technology and Low Power Modes" chapter of the *IGLOO nano FPGA Fabric User's Guide* for more information on I/O states during Flash*Freeze mode.

Table 3-1 • Flash*Freeze Pin Locations for IGLOO nano Devices

| Package | Flash*Freeze Pin |
|-----------|------------------|
| CS81/UC81 | H2 |
| QN48 | 14 |
| QN68 | 18 |
| VQ100 | 27 |
| UC36 | E2 |

JTAG Pins

Low power flash devices have a separate bank for the dedicated JTAG pins. The JTAG pins can be run at any voltage from 1.5 V to 3.3 V (nominal). VCC must also be powered for the JTAG state machine to operate, even if the device is in bypass mode; VJTAG alone is insufficient. Both VJTAG and VCC to the part must be supplied to allow JTAG signals to transition the device. Isolating the JTAG power supply in a separate I/O bank gives greater flexibility in supply selection and simplifies power supply and PCB design. If the JTAG interface is neither used nor planned for use, the VJTAG pin together with the TRST pin could be tied to GND.

TCK Test Clock

Test clock input for JTAG boundary scan, ISP, and UJTAG. The TCK pin does not have an internal pull-up/-down resistor. If JTAG is not used, Microsemi recommends tying off TCK to GND through a resistor placed close to the FPGA pin. This prevents JTAG operation in case TMS enters an undesired state.

Note that to operate at all VJTAG voltages, 500 Ω to 1 k Ω will satisfy the requirements. Refer to Table 3-2 for more information.

Table 3-2 • Recommended Tie-Off Values for the TCK and TRST Pins

| VJTAG | Tie-Off Resistance ^{1,2} |
|----------------|-----------------------------------|
| VJTAG at 3.3 V | 200 Ω to 1 k Ω |
| VJTAG at 2.5 V | 200 Ω to 1 k Ω |
| VJTAG at 1.8 V | 500 Ω to 1 k Ω |
| VJTAG at 1.5 V | 500 Ω to 1 k Ω |

Notes:

1. The TCK pin can be pulled-up or pulled-down.
2. The TRST pin is pulled-down.
3. Equivalent parallel resistance if more than one device is on the JTAG chain

Table 3-3 • TRST and TCK Pull-Down Recommendations

| VJTAG | Tie-Off Resistance* |
|----------------|------------------------------|
| VJTAG at 3.3 V | 200 Ω to 1 k Ω |
| VJTAG at 2.5 V | 200 Ω to 1 k Ω |
| VJTAG at 1.8 V | 500 Ω to 1 k Ω |
| VJTAG at 1.5 V | 500 Ω to 1 k Ω |

Note: Equivalent parallel resistance if more than one device is on the JTAG chain

TDI Test Data Input

Serial input for JTAG boundary scan, ISP, and UJTAG usage. There is an internal weak pull-up resistor on the TDI pin.

TDO Test Data Output

Serial output for JTAG boundary scan, ISP, and UJTAG usage.

TMS Test Mode Select

The TMS pin controls the use of the IEEE 1532 boundary scan pins (TCK, TDI, TDO, TRST). There is an internal weak pull-up resistor on the TMS pin.

TRST Boundary Scan Reset Pin

The TRST pin functions as an active-low input to asynchronously initialize (or reset) the boundary scan circuitry. There is an internal weak pull-up resistor on the TRST pin. If JTAG is not used, an external pull-down resistor could be included to ensure the test access port (TAP) is held in reset mode. The resistor values must be chosen from [Table 3-2](#) and must satisfy the parallel resistance value requirement. The values in [Table 3-2](#) correspond to the resistor recommended when a single device is used, and the equivalent parallel resistor when multiple devices are connected via a JTAG chain.

In critical applications, an upset in the JTAG circuit could allow entrance to an undesired JTAG state. In such cases, Microsemi recommends tying off TRST to GND through a resistor placed close to the FPGA pin.

Note that to operate at all VJTAG voltages, 500 Ω to 1 k Ω will satisfy the requirements.

Special Function Pins

NC No Connect

This pin is not connected to circuitry within the device. These pins can be driven to any voltage or can be left floating with no effect on the operation of the device.

DC Do Not Connect

This pin should not be connected to any signals on the PCB. These pins should be left unconnected.

Packaging

Semiconductor technology is constantly shrinking in size while growing in capability and functional integration. To enable next-generation silicon technologies, semiconductor packages have also evolved to provide improved performance and flexibility.

Microsemi consistently delivers packages that provide the necessary mechanical and environmental protection to ensure consistent reliability and performance. Microsemi IC packaging technology efficiently supports high-density FPGAs with large-pin-count Ball Grid Arrays (BGAs), but is also flexible enough to accommodate stringent form factor requirements for Chip Scale Packaging (CSP). In addition, Microsemi offers a variety of packages designed to meet your most demanding application and economic requirements for today's embedded and mobile systems.

Related Documents

User's Guides

IGLOO nano FPGA Fabric User's Guide

http://www.microsemi.com/soc/documents/IGLOO_nano_UG.pdf

Packaging Documents

The following documents provide packaging information and device selection for low power flash devices.

Product Catalog

http://www.microsemi.com/soc/documents/ProdCat_PIB.pdf

Lists devices currently recommended for new designs and the packages available for each member of the family. Use this document or the datasheet tables to determine the best package for your design, and which package drawing to use.

Package Mechanical Drawings

<http://www.microsemi.com/soc/documents/PckgMechDrwngs.pdf>

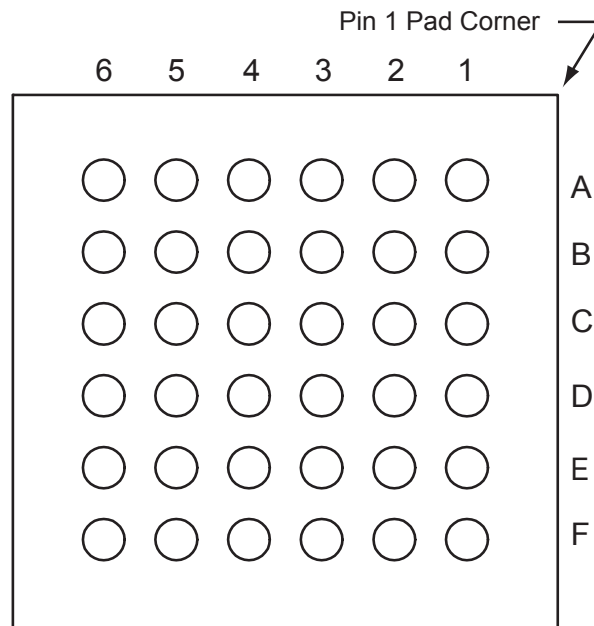
This document contains the package mechanical drawings for all packages currently or previously supplied by Microsemi. Use the bookmarks to navigate to the package mechanical drawings.

Additional packaging materials are on the Microsemi SoC Products Group website:

<http://www.microsemi.com/soc/products/solutions/package/docs.aspx>.

4 – Package Pin Assignments

UC36



Note: This is the bottom view of the package.

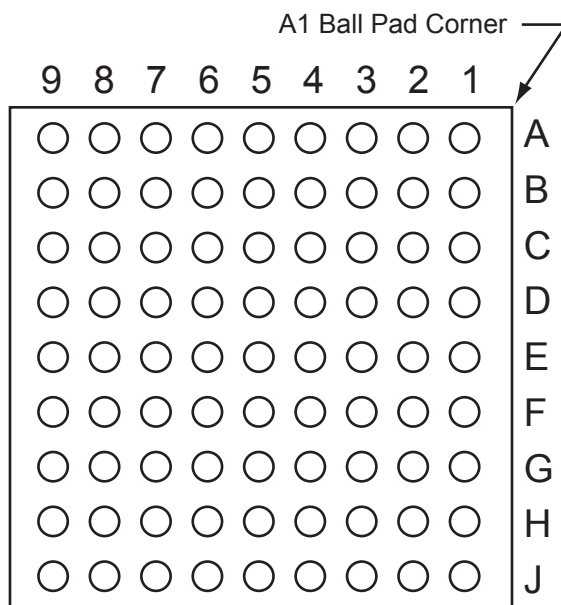
Note

For Package Manufacturing and Environmental information, visit the Resource Center at <http://www.microsemi.com/soc/products/solutions/package/docs.aspx>.

| UC36 | |
|------------|------------------|
| Pin Number | AGLN010 Function |
| A1 | IO21RSB1 |
| A2 | IO18RSB1 |
| A3 | IO13RSB1 |
| A4 | GDC0/IO00RSB0 |
| A5 | IO06RSB0 |
| A6 | GDA0/IO04RSB0 |
| B1 | GEC0/IO37RSB1 |
| B2 | IO20RSB1 |
| B3 | IO15RSB1 |
| B4 | IO09RSB0 |
| B5 | IO08RSB0 |
| B6 | IO07RSB0 |
| C1 | IO22RSB1 |
| C2 | GEA0/IO34RSB1 |
| C3 | GND |
| C4 | GND |
| C5 | VCCIB0 |
| C6 | IO02RSB0 |
| D1 | IO33RSB1 |
| D2 | VCCIB1 |
| D3 | VCC |
| D4 | VCC |
| D5 | IO10RSB0 |
| D6 | IO11RSB0 |
| E1 | IO32RSB1 |
| E2 | FF/IO31RSB1 |
| E3 | TCK |
| E4 | VPUMP |
| E5 | TRST |
| E6 | VJTAG |
| F1 | IO29RSB1 |
| F2 | IO25RSB1 |
| F3 | IO23RSB1 |
| F4 | TDI |

| UC36 | |
|------------|------------------|
| Pin Number | AGLN010 Function |
| F5 | TMS |
| F6 | TDO |

UC81



Note: This is the bottom view of the package.

Note

For Package Manufacturing and Environmental information, visit the Resource Center at <http://www.microsemi.com/soc/products/solutions/package/docs.aspx>.

| UC81 | |
|------------|------------------|
| Pin Number | AGLN020 Function |
| A1 | IO64RSB2 |
| A2 | IO54RSB2 |
| A3 | IO57RSB2 |
| A4 | IO36RSB1 |
| A5 | IO32RSB1 |
| A6 | IO24RSB1 |
| A7 | IO20RSB1 |
| A8 | IO04RSB0 |
| A9 | IO08RSB0 |
| B1 | IO59RSB2 |
| B2 | IO55RSB2 |
| B3 | IO62RSB2 |
| B4 | IO34RSB1 |
| B5 | IO28RSB1 |
| B6 | IO22RSB1 |
| B7 | IO18RSB1 |
| B8 | IO00RSB0 |
| B9 | IO03RSB0 |
| C1 | IO51RSB2 |
| C2 | IO50RSB2 |
| C3 | NC |
| C4 | NC |
| C5 | NC |
| C6 | NC |
| C7 | NC |
| C8 | IO10RSB0 |
| C9 | IO07RSB0 |
| D1 | IO49RSB2 |
| D2 | IO44RSB2 |
| D3 | NC |
| D4 | VCC |
| D5 | VCCIB2 |
| D6 | GND |
| D7 | NC |
| D8 | IO13RSB0 |
| D9 | IO12RSB0 |

| UC81 | |
|------------|------------------|
| Pin Number | AGLN020 Function |
| E1 | GEC0/IO48RSB2 |
| E2 | GEA0/IO47RSB2 |
| E3 | NC |
| E4 | VCCIB1 |
| E5 | VCC |
| E6 | VCCIB0 |
| E7 | NC |
| E8 | GDA0/IO15RSB0 |
| E9 | GDC0/IO14RSB0 |
| F1 | IO46RSB2 |
| F2 | IO45RSB2 |
| F3 | NC |
| F4 | GND |
| F5 | VCCIB1 |
| F6 | NC |
| F7 | NC |
| F8 | IO16RSB0 |
| F9 | IO17RSB0 |
| G1 | IO43RSB2 |
| G2 | IO42RSB2 |
| G3 | IO41RSB2 |
| G4 | IO31RSB1 |
| G5 | NC |
| G6 | IO21RSB1 |
| G7 | NC |
| G8 | VJTAG |
| G9 | TRST |
| H1 | IO40RSB2 |
| H2 | FF/IO39RSB1 |
| H3 | IO35RSB1 |
| H4 | IO29RSB1 |
| H5 | IO26RSB1 |
| H6 | IO25RSB1 |
| H7 | IO19RSB1 |
| H8 | TDI |
| H9 | TDO |

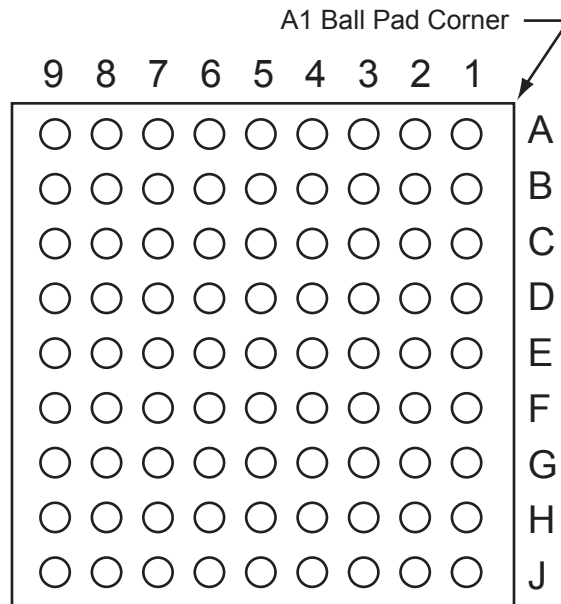
| UC81 | |
|------------|------------------|
| Pin Number | AGLN020 Function |
| J1 | IO38RSB1 |
| J2 | IO37RSB1 |
| J3 | IO33RSB1 |
| J4 | IO30RSB1 |
| J5 | IO27RSB1 |
| J6 | IO23RSB1 |
| J7 | TCK |
| J8 | TMS |
| J9 | VPUMP |

| UC81 | |
|------------|-------------------|
| Pin Number | AGLN030Z Function |
| A1 | IO00RSB0 |
| A2 | IO02RSB0 |
| A3 | IO06RSB0 |
| A4 | IO11RSB0 |
| A5 | IO16RSB0 |
| A6 | IO19RSB0 |
| A7 | IO22RSB0 |
| A8 | IO24RSB0 |
| A9 | IO26RSB0 |
| B1 | IO81RSB1 |
| B2 | IO04RSB0 |
| B3 | IO10RSB0 |
| B4 | IO13RSB0 |
| B5 | IO15RSB0 |
| B6 | IO20RSB0 |
| B7 | IO21RSB0 |
| B8 | IO28RSB0 |
| B9 | IO25RSB0 |
| C1 | IO79RSB1 |
| C2 | IO80RSB1 |
| C3 | IO08RSB0 |
| C4 | IO12RSB0 |
| C5 | IO17RSB0 |
| C6 | IO14RSB0 |
| C7 | IO18RSB0 |
| C8 | IO29RSB0 |
| C9 | IO27RSB0 |
| D1 | IO74RSB1 |
| D2 | IO76RSB1 |
| D3 | IO77RSB1 |
| D4 | VCC |
| D5 | VCCIB0 |
| D6 | GND |
| D7 | IO23RSB0 |
| D8 | IO31RSB0 |

| UC81 | |
|------------|-------------------|
| Pin Number | AGLN030Z Function |
| D9 | IO30RSB0 |
| E1 | GEB0/IO71RSB1 |
| E2 | GEA0/IO72RSB1 |
| E3 | GEC0/IO73RSB1 |
| E4 | VCCIB1 |
| E5 | VCC |
| E6 | VCCIB0 |
| E7 | GDC0/IO32RSB0 |
| E8 | GDA0/IO33RSB0 |
| E9 | GDB0/IO34RSB0 |
| F1 | IO68RSB1 |
| F2 | IO67RSB1 |
| F3 | IO64RSB1 |
| F4 | GND |
| F5 | VCCIB1 |
| F6 | IO47RSB1 |
| F7 | IO36RSB0 |
| F8 | IO38RSB0 |
| F9 | IO40RSB0 |
| G1 | IO65RSB1 |
| G2 | IO66RSB1 |
| G3 | IO57RSB1 |
| G4 | IO53RSB1 |
| G5 | IO49RSB1 |
| G6 | IO45RSB1 |
| G7 | IO46RSB1 |
| G8 | VJTAG |
| G9 | TRST |
| H1 | IO62RSB1 |
| H2 | FF/IO60RSB1 |
| H3 | IO58RSB1 |
| H4 | IO54RSB1 |
| H5 | IO48RSB1 |
| H6 | IO43RSB1 |
| H7 | IO42RSB1 |

| UC81 | |
|------------|-------------------|
| Pin Number | AGLN030Z Function |
| H8 | TDI |
| H9 | TDO |
| J1 | IO63RSB1 |
| J2 | IO61RSB1 |
| J3 | IO59RSB1 |
| J4 | IO56RSB1 |
| J5 | IO52RSB1 |
| J6 | IO44RSB1 |
| J7 | TCK |
| J8 | TMS |
| J9 | VPUMP |

CS81



Note: This is the bottom view of the package.

Note

For Package Manufacturing and Environmental information, visit the Resource Center at <http://www.microsemi.com/soc/products/solutions/package/docs.aspx>.

| CS81 | |
|------------|------------------|
| Pin Number | AGLN020 Function |
| A1 | IO64RSB2 |
| A2 | IO54RSB2 |
| A3 | IO57RSB2 |
| A4 | IO36RSB1 |
| A5 | IO32RSB1 |
| A6 | IO24RSB1 |
| A7 | IO20RSB1 |
| A8 | IO04RSB0 |
| A9 | IO08RSB0 |
| B1 | IO59RSB2 |
| B2 | IO55RSB2 |
| B3 | IO62RSB2 |
| B4 | IO34RSB1 |
| B5 | IO28RSB1 |
| B6 | IO22RSB1 |
| B7 | IO18RSB1 |
| B8 | IO00RSB0 |
| B9 | IO03RSB0 |
| C1 | IO51RSB2 |
| C2 | IO50RSB2 |
| C3 | NC |
| C4 | NC |
| C5 | NC |
| C6 | NC |
| C7 | NC |
| C8 | IO10RSB0 |
| C9 | IO07RSB0 |
| D1 | IO49RSB2 |
| D2 | IO44RSB2 |
| D3 | NC |
| D4 | VCC |
| D5 | VCCIB2 |
| D6 | GND |
| D7 | NC |
| D8 | IO13RSB0 |
| D9 | IO12RSB0 |

| CS81 | |
|------------|------------------|
| Pin Number | AGLN020 Function |
| E1 | GEC0/IO48RSB2 |
| E2 | GEA0/IO47RSB2 |
| E3 | NC |
| E4 | VCCIB1 |
| E5 | VCC |
| E6 | VCCIB0 |
| E7 | NC |
| E8 | GDA0/IO15RSB0 |
| E9 | GDC0/IO14RSB0 |
| F1 | IO46RSB2 |
| F2 | IO45RSB2 |
| F3 | NC |
| F4 | GND |
| F5 | VCCIB1 |
| F6 | NC |
| F7 | NC |
| F8 | IO16RSB0 |
| F9 | IO17RSB0 |
| G1 | IO43RSB2 |
| G2 | IO42RSB2 |
| G3 | IO41RSB2 |
| G4 | IO31RSB1 |
| G5 | NC |
| G6 | IO21RSB1 |
| G7 | NC |
| G8 | VJTAG |
| G9 | TRST |
| H1 | IO40RSB2 |
| H2 | FF/IO39RSB1 |
| H3 | IO35RSB1 |
| H4 | IO29RSB1 |
| H5 | IO26RSB1 |
| H6 | IO25RSB1 |
| H7 | IO19RSB1 |
| H8 | TDI |
| H9 | TDO |

| CS81 | |
|------------|------------------|
| Pin Number | AGLN020 Function |
| J1 | IO38RSB1 |
| J2 | IO37RSB1 |
| J3 | IO33RSB1 |
| J4 | IO30RSB1 |
| J5 | IO27RSB1 |
| J6 | IO23RSB1 |
| J7 | TCK |
| J8 | TMS |
| J9 | VPUMP |

| CS81 | |
|------------|-------------------|
| Pin Number | AGLN030Z Function |
| A1 | IO00RSB0 |
| A2 | IO02RSB0 |
| A3 | IO06RSB0 |
| A4 | IO11RSB0 |
| A5 | IO16RSB0 |
| A6 | IO19RSB0 |
| A7 | IO22RSB0 |
| A8 | IO24RSB0 |
| A9 | IO26RSB0 |
| B1 | IO81RSB1 |
| B2 | IO04RSB0 |
| B3 | IO10RSB0 |
| B4 | IO13RSB0 |
| B5 | IO15RSB0 |
| B6 | IO20RSB0 |
| B7 | IO21RSB0 |
| B8 | IO28RSB0 |
| B9 | IO25RSB0 |
| C1 | IO79RSB1 |
| C2 | IO80RSB1 |
| C3 | IO08RSB0 |
| C4 | IO12RSB0 |
| C5 | IO17RSB0 |
| C6 | IO14RSB0 |
| C7 | IO18RSB0 |
| C8 | IO29RSB0 |
| C9 | IO27RSB0 |
| D1 | IO74RSB1 |
| D2 | IO76RSB1 |
| D3 | IO77RSB1 |
| D4 | VCC |
| D5 | VCCIB0 |
| D6 | GND |
| D7 | IO23RSB0 |
| D8 | IO31RSB0 |

| CS81 | |
|------------|-------------------|
| Pin Number | AGLN030Z Function |
| D9 | IO30RSB0 |
| E1 | GEB0/IO71RSB1 |
| E2 | GEA0/IO72RSB1 |
| E3 | GEC0/IO73RSB1 |
| E4 | VCCIB1 |
| E5 | VCC |
| E6 | VCCIB0 |
| E7 | GDC0/IO32RSB0 |
| E8 | GDA0/IO33RSB0 |
| E9 | GDB0/IO34RSB0 |
| F1 | IO68RSB1 |
| F2 | IO67RSB1 |
| F3 | IO64RSB1 |
| F4 | GND |
| F5 | VCCIB1 |
| F6 | IO47RSB1 |
| F7 | IO36RSB0 |
| F8 | IO38RSB0 |
| F9 | IO40RSB0 |
| G1 | IO65RSB1 |
| G2 | IO66RSB1 |
| G3 | IO57RSB1 |
| G4 | IO53RSB1 |
| G5 | IO49RSB1 |
| G6 | IO44RSB1 |
| G7 | IO46RSB1 |
| G8 | VJTAG |
| G9 | TRST |
| H1 | IO62RSB1 |
| H2 | FF/IO60RSB1 |
| H3 | IO58RSB1 |
| H4 | IO54RSB1 |
| H5 | IO48RSB1 |
| H6 | IO43RSB1 |
| H7 | IO42RSB1 |

| CS81 | |
|------------|-------------------|
| Pin Number | AGLN030Z Function |
| H8 | TDI |
| H9 | TDO |
| J1 | IO63RSB1 |
| J2 | IO61RSB1 |
| J3 | IO59RSB1 |
| J4 | IO56RSB1 |
| J5 | IO52RSB1 |
| J6 | IO45RSB1 |
| J7 | TCK |
| J8 | TMS |
| J9 | VPUMP |

| CS81 | |
|------------|------------------|
| Pin Number | AGLN060 Function |
| A1 | GAA0/IO02RSB0 |
| A2 | GAA1/IO03RSB0 |
| A3 | GAC0/IO06RSB0 |
| A4 | IO09RSB0 |
| A5 | IO13RSB0 |
| A6 | IO18RSB0 |
| A7 | GBB0/IO21RSB0 |
| A8 | GBA1/IO24RSB0 |
| A9 | GBA2/IO25RSB0 |
| B1 | GAA2/IO95RSB1 |
| B2 | GAB0/IO04RSB0 |
| B3 | GAC1/IO07RSB0 |
| B4 | IO08RSB0 |
| B5 | IO15RSB0 |
| B6 | GBC0/IO19RSB0 |
| B7 | GBB1/IO22RSB0 |
| B8 | IO26RSB0 |
| B9 | GBB2/IO27RSB0 |
| C1 | GAB2/IO93RSB1 |
| C2 | IO94RSB1 |
| C3 | GND |
| C4 | IO10RSB0 |
| C5 | IO17RSB0 |
| C6 | GND |
| C7 | GBA0/IO23RSB0 |
| C8 | GBC2/IO29RSB0 |
| C9 | IO31RSB0 |
| D1 | GAC2/IO91RSB1 |
| D2 | IO92RSB1 |
| D3 | GFA2/IO80RSB1 |
| D4 | VCC |
| D5 | VCCIB0 |
| D6 | GND |
| D7 | GCC2/IO43RSB0 |

| CS81 | |
|-----------------|------------------|
| Pin Number | AGLN060 Function |
| D8 | GCC1/IO35RSB0 |
| D9 | GCC0/IO36RSB0 |
| E1 | GFB0/IO83RSB1 |
| E2 | GFB1/IO84RSB1 |
| E3 | GFA1/IO81RSB1 |
| E4 | VCCIB1 |
| E5 | VCC |
| E6 | VCCIB0 |
| E7 | GCA1/IO39RSB0 |
| E8 | GCA0/IO40RSB0 |
| E9 | GCB2/IO42RSB0 |
| F1 ¹ | VCCPLF |
| F2 ¹ | VCOMPLF |
| F3 | GND |
| F4 | GND |
| F5 | VCCIB1 |
| F6 | GND |
| F7 | GDA1/IO49RSB0 |
| F8 | GDC1/IO45RSB0 |
| F9 | GDC0/IO46RSB0 |
| G1 | GEA0/IO69RSB1 |
| G2 | GEC1/IO74RSB1 |
| G3 | GEB1/IO72RSB1 |
| G4 | IO63RSB1 |
| G5 | IO60RSB1 |
| G6 | IO54RSB1 |
| G7 | GDB2/IO52RSB1 |
| G8 | VJTAG |
| G9 | TRST |
| H1 | GEA1/IO70RSB1 |
| H2 | FF/GEB2/IO67RSB1 |
| H3 | IO65RSB1 |
| H4 | IO62RSB1 |
| H5 | IO59RSB1 |

| CS81 | |
|-----------------|------------------|
| Pin Number | AGLN060 Function |
| H6 | IO56RSB1 |
| H7 ² | GDA2/IO51RSB1 |
| H8 | TDI |
| H9 | TDO |
| J1 | GEA2/IO68RSB1 |
| J2 | GEC2/IO66RSB1 |
| J3 | IO64RSB1 |
| J4 | IO61RSB1 |
| J5 | IO58RSB1 |
| J6 | IO55RSB1 |
| J7 | TCK |
| J8 | TMS |
| J9 | VPUMP |

Notes:

1. Pin numbers F1 and F2 must be connected to ground because a PLL is not supported for AGLN060-CS81.
2. The bus hold attribute (hold previous I/O state in Flash*Freeze mode) is not supported for pin H7 in AGLN060-CS81.

| CS81 | |
|------------|-------------------|
| Pin Number | AGLN060Z Function |
| A1 | GAA0/IO02RSB0 |
| A2 | GAA1/IO03RSB0 |
| A3 | GAC0/IO06RSB0 |
| A4 | IO09RSB0 |
| A5 | IO13RSB0 |
| A6 | IO18RSB0 |
| A7 | GBB0/IO21RSB0 |
| A8 | GBA1/IO24RSB0 |
| A9 | GBA2/IO25RSB0 |
| B1 | GAA2/IO95RSB1 |
| B2 | GAB0/IO04RSB0 |
| B3 | GAC1/IO07RSB0 |
| B4 | IO08RSB0 |
| B5 | IO15RSB0 |
| B6 | GBC0/IO19RSB0 |
| B7 | GBB1/IO22RSB0 |
| B8 | IO26RSB0 |
| B9 | GBB2/IO27RSB0 |
| C1 | GAB2/IO93RSB1 |
| C2 | IO94RSB1 |
| C3 | GND |
| C4 | IO10RSB0 |
| C5 | IO17RSB0 |
| C6 | GND |
| C7 | GBA0/IO23RSB0 |
| C8 | GBC2/IO29RSB0 |
| C9 | IO31RSB0 |
| D1 | GAC2/IO91RSB1 |
| D2 | IO92RSB1 |
| D3 | GFA2/IO80RSB1 |
| D4 | VCC |
| D5 | VCCIB0 |
| D6 | GND |
| D7 | GCC2/IO43RSB0 |

| CS81 | |
|-----------------|-------------------|
| Pin Number | AGLN060Z Function |
| D8 | GCC1/IO35RSB0 |
| D9 | GCC0/IO36RSB0 |
| E1 | GFB0/IO83RSB1 |
| E2 | GFB1/IO84RSB1 |
| E3 | GFA1/IO81RSB1 |
| E4 | VCCIB1 |
| E5 | VCC |
| E6 | VCCIB0 |
| E7 | GCA1/IO39RSB0 |
| E8 | GCA0/IO40RSB0 |
| E9 | GCB2/IO42RSB0 |
| F1 ¹ | VCCPLF |
| F2 ¹ | VCOMPLF |
| F3 | GND |
| F4 | GND |
| F5 | VCCIB1 |
| F6 | GND |
| F7 | GDA1/IO49RSB0 |
| F8 | GDC1/IO45RSB0 |
| F9 | GDC0/IO46RSB0 |
| G1 | GEA0/IO69RSB1 |
| G2 | GEC1/IO74RSB1 |
| G3 | GEB1/IO72RSB1 |
| G4 | IO63RSB1 |
| G5 | IO60RSB1 |
| G6 | IO54RSB1 |
| G7 | GDB2/IO52RSB1 |
| G8 | VJTAG |
| G9 | TRST |
| H1 | GEA1/IO70RSB1 |
| H2 | FF/GEB2/IO67RSB1 |
| H3 | IO65RSB1 |
| H4 | IO62RSB1 |
| H5 | IO59RSB1 |

| CS81 | |
|-----------------|-------------------|
| Pin Number | AGLN060Z Function |
| H6 | IO56RSB1 |
| H7 ² | GDA2/IO51RSB1 |
| H8 | TDI |
| H9 | TDO |
| J1 | GEA2/IO68RSB1 |
| J2 | GEC2/IO66RSB1 |
| J3 | IO64RSB1 |
| J4 | IO61RSB1 |
| J5 | IO58RSB1 |
| J6 | IO55RSB1 |
| J7 | TCK |
| J8 | TMS |
| J9 | VPUMP |

Notes:

1. Pin numbers F1 and F2 must be connected to ground because a PLL is not supported for AGLN060Z-CS81.
2. The bus hold attribute (hold previous I/O state in Flash*Freeze mode) is not supported for pin H7 in AGLN060Z-CS81.

| CS81 | |
|------------|------------------|
| Pin Number | AGLN125 Function |
| A1 | GAA0/IO00RSB0 |
| A2 | GAA1/IO01RSB0 |
| A3 | GAC0/IO04RSB0 |
| A4 | IO13RSB0 |
| A5 | IO22RSB0 |
| A6 | IO32RSB0 |
| A7 | GBB0/IO37RSB0 |
| A8 | GBA1/IO40RSB0 |
| A9 | GBA2/IO41RSB0 |
| B1 | GAA2/IO132RSB1 |
| B2 | GAB0/IO02RSB0 |
| B3 | GAC1/IO05RSB0 |
| B4 | IO11RSB0 |
| B5 | IO25RSB0 |
| B6 | GBC0/IO35RSB0 |
| B7 | GBB1/IO38RSB0 |
| B8 | IO42RSB0 |
| B9 | GBB2/IO43RSB0 |
| C1 | GAB2/IO130RSB1 |
| C2 | IO131RSB1 |
| C3 | GND |
| C4 | IO15RSB0 |
| C5 | IO28RSB0 |
| C6 | GND |
| C7 | GBA0/IO39RSB0 |
| C8 | GBC2/IO45RSB0 |
| C9 | IO47RSB0 |
| D1 | GAC2/IO128RSB1 |
| D2 | IO129RSB1 |
| D3 | GFA2/IO117RSB1 |
| D4 | VCC |
| D5 | VCCIB0 |
| D6 | GND |
| D7 | GCC2/IO59RSB0 |
| D8 | GCC1/IO51RSB0 |
| D9 | GCC0/IO52RSB0 |

| CS81 | |
|------------|-------------------|
| Pin Number | AGLN125 Function |
| E1 | GFB0/IO120RSB1 |
| E2 | GFB1/IO121RSB1 |
| E3 | GFA1/IO118RSB1 |
| E4 | VCCIB1 |
| E5 | VCC |
| E6 | VCCIB0 |
| E7 | GCA0/IO56RSB0 |
| E8 | GCA1/IO55RSB0 |
| E9 | GCB2/IO58RSB0 |
| F1* | VCCPLF |
| F2* | VCOMPLF |
| F3 | GND |
| F4 | GND |
| F5 | VCCIB1 |
| F6 | GND |
| F7 | GDA1/IO65RSB0 |
| F8 | GDC1/IO61RSB0 |
| F9 | GDC0/IO62RSB0 |
| G1 | GEA0/IO104RSB1 |
| G2 | GEC0/IO108RSB1 |
| G3 | GEB1/IO107RSB1 |
| G4 | IO96RSB1 |
| G5 | IO92RSB1 |
| G6 | IO72RSB1 |
| G7 | GDB2/IO68RSB1 |
| G8 | VJTAG |
| G9 | TRST |
| H1 | GEA1/IO105RSB1 |
| H2 | FF/GEB2/IO102RSB1 |
| H3 | IO99RSB1 |
| H4 | IO94RSB1 |
| H5 | IO91RSB1 |
| H6 | IO81RSB1 |
| H7 | GDA2/IO67RSB1 |
| H8 | TDI |
| H9 | TDO |

| CS81 | |
|------------|------------------|
| Pin Number | AGLN125 Function |
| J1 | GEA2/IO103RSB1 |
| J2 | GEC2/IO101RSB1 |
| J3 | IO97RSB1 |
| J4 | IO93RSB1 |
| J5 | IO90RSB1 |
| J6 | IO78RSB1 |
| J7 | TCK |
| J8 | TMS |
| J9 | VPUMP |

Note: * Pin numbers F1 and F2 must be connected to ground because a PLL is not supported for AGLN125-CS81.

| CS8 | |
|------------|-------------------|
| Pin Number | AGLN125Z Function |
| A1 | GAA0/IO00RSB0 |
| A2 | GAA1/IO01RSB0 |
| A3 | GAC0/IO04RSB0 |
| A4 | IO13RSB0 |
| A5 | IO22RSB0 |
| A6 | IO32RSB0 |
| A7 | GBB0/IO37RSB0 |
| A8 | GBA1/IO40RSB0 |
| A9 | GBA2/IO41RSB0 |
| B1 | GAA2/IO132RSB1 |
| B2 | GAB0/IO02RSB0 |
| B3 | GAC1/IO05RSB0 |
| B4 | IO11RSB0 |
| B5 | IO25RSB0 |
| B6 | GBC0/IO35RSB0 |
| B7 | GBB1/IO38RSB0 |
| B8 | IO42RSB0 |
| B9 | GBB2/IO43RSB0 |
| C1 | GAB2/IO130RSB1 |
| C2 | IO131RSB1 |
| C3 | GND |
| C4 | IO15RSB0 |
| C5 | IO28RSB0 |
| C6 | GND |
| C7 | GBA0/IO39RSB0 |
| C8 | GBC2/IO45RSB0 |
| C9 | IO47RSB0 |
| D1 | GAC2/IO128RSB1 |
| D2 | IO129RSB1 |
| D3 | GFA2/IO117RSB1 |
| D4 | VCC |
| D5 | VCCIB0 |
| D6 | GND |
| D7 | GCC2/IO59RSB0 |
| D8 | GCC1/IO51RSB0 |
| D9 | GCC0/IO52RSB0 |

| CS8 | |
|------------|-------------------|
| Pin Number | AGLN125Z Function |
| E1 | GFB0/IO120RSB1 |
| E2 | GFB1/IO121RSB1 |
| E3 | GFA1/IO118RSB1 |
| E4 | VCCIB1 |
| E5 | VCC |
| E6 | VCCIB0 |
| E7 | GCA0/IO56RSB0 |
| E8 | GCA1/IO55RSB0 |
| E9 | GCB2/IO58RSB0 |
| F1* | VCCPLF |
| F2* | VCOMPLF |
| F3 | GND |
| F4 | GND |
| F5 | VCCIB1 |
| F6 | GND |
| F7 | GDA1/IO65RSB0 |
| F8 | GDC1/IO61RSB0 |
| F9 | GDC0/IO62RSB0 |
| G1 | GEA0/IO104RSB1 |
| G2 | GEC0/IO108RSB1 |
| G3 | GEB1/IO107RSB1 |
| G4 | IO96RSB1 |
| G5 | IO92RSB1 |
| G6 | IO72RSB1 |
| G7 | GDB2/IO68RSB1 |
| G8 | VJTAG |
| G9 | TRST |
| H1 | GEA1/IO105RSB1 |
| H2 | FF/GEB2/IO102RSB1 |
| H3 | IO99RSB1 |
| H4 | IO94RSB1 |
| H5 | IO91RSB1 |
| H6 | IO81RSB1 |
| H7 | GDA2/IO67RSB1 |
| H8 | TDI |
| H9 | TDO |

| CS8 | |
|------------|-------------------|
| Pin Number | AGLN125Z Function |
| J1 | GEA2/IO103RSB1 |
| J2 | GEC2/IO101RSB1 |
| J3 | IO97RSB1 |
| J4 | IO93RSB1 |
| J5 | IO90RSB1 |
| J6 | IO78RSB1 |
| J7 | TCK |
| J8 | TMS |
| J9 | VPUMP |

Note: * Pin numbers F1 and F2 must be connected to ground because a PLL is not supported for AGLN125Z-CS81.

| CS81 | |
|------------|------------------|
| Pin Number | AGLN250 Function |
| A1 | GAA0/IO00RSB0 |
| A2 | GAA1/IO01RSB0 |
| A3 | GAC0/IO04RSB0 |
| A4 | IO13RSB0 |
| A5 | IO21RSB0 |
| A6 | IO27RSB0 |
| A7 | GBB0/IO37RSB0 |
| A8 | GBA1/IO40RSB0 |
| A9 | GBA2/IO41PPB1 |
| B1 | GAA2/IO118UPB3 |
| B2 | GAB0/IO02RSB0 |
| B3 | GAC1/IO05RSB0 |
| B4 | IO11RSB0 |
| B5 | IO23RSB0 |
| B6 | GBC0/IO35RSB0 |
| B7 | GBB1/IO38RSB0 |
| B8 | IO41NPB1 |
| B9 | GBB2/IO42PSB1 |
| C1 | GAB2/IO117UPB3 |
| C2 | IO118VPB3 |
| C3 | GND |
| C4 | IO15RSB0 |
| C5 | IO25RSB0 |
| C6 | GND |
| C7 | GBA0/IO39RSB0 |
| C8 | GBC2/IO43B1 |
| C9 | IO43NDB1 |
| D1 | GAC2/IO116USB3 |
| D2 | IO117VPB3 |
| D3 | GFA2/IO107PSB3 |
| D4 | VCC |
| D5 | VCCIB0 |
| D6 | GND |
| D7 | IO52NPB1 |
| D8 | GCC1/IO48PDB1 |
| D9 | GCC0/IO48NDB1 |

| CS81 | |
|------------|------------------|
| Pin Number | AGLN250 Function |
| E1 | GFB0/IO109NDB3 |
| E2 | GFB1/IO109PDB3 |
| E3 | GFA1/IO108PSB3 |
| E4 | VCCIB3 |
| E5 | VCC |
| E6 | VCCIB1 |
| E7 | GCA0/IO50NDB1 |
| E8 | GCA1/IO50PDB1 |
| E9 | GCB2/IO52PPB1 |
| F1* | VCCPLF |
| F2* | VCOMPLF |
| F3 | GND |
| F4 | GND |
| F5 | VCCIB2 |
| F6 | GND |
| F7 | GDA1/IO60USB1 |
| F8 | GDC1/IO58UDB1 |
| F9 | GDC0/IO58VDB1 |
| G1 | GEA0/IO98NDB3 |
| G2 | GEC1/IO100PDB3 |
| G3 | GEC0/IO100NDB3 |
| G4 | IO91RSB2 |
| G5 | IO86RSB2 |
| G6 | IO71RSB2 |
| G7 | GDB2/IO62RSB2 |
| G8 | VJTAG |
| G9 | TRST |
| H1 | GEA1/IO98PDB3 |
| H2 | FF/GEB2/IO96RSB2 |
| H3 | IO93RSB2 |
| H4 | IO90RSB2 |
| H5 | IO85RSB2 |
| H6 | IO77RSB2 |
| H7 | GDA2/IO61RSB2 |
| H8 | TDI |
| H9 | TDO |

| CS81 | |
|------------|------------------|
| Pin Number | AGLN250 Function |
| J1 | GEA2/IO97RSB2 |
| J2 | GEC2/IO95RSB2 |
| J3 | IO92RSB2 |
| J4 | IO88RSB2 |
| J5 | IO84RSB2 |
| J6 | IO74RSB2 |
| J7 | TCK |
| J8 | TMS |
| J9 | VPUMP |

Note: * Pin numbers F1 and F2 must be connected to ground because a PLL is not supported for AGLN250-CS81.

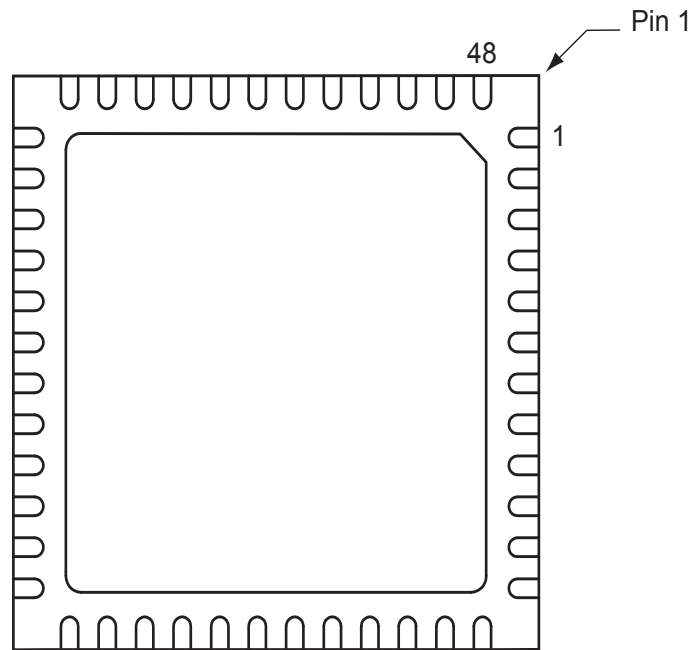
| CS81 | |
|------------|-------------------|
| Pin Number | AGLN250Z Function |
| A1 | GAA0/IO00RSB0 |
| A2 | GAA1/IO01RSB0 |
| A3 | GAC0/IO04RSB0 |
| A4 | IO07RSB0 |
| A5 | IO09RSB0 |
| A6 | IO12RSB0 |
| A7 | GBB0/IO16RSB0 |
| A8 | GBA1/IO19RSB0 |
| A9 | GBA2/IO20RSB1 |
| B1 | GAA2/IO67RSB3 |
| B2 | GAB0/IO02RSB0 |
| B3 | GAC1/IO05RSB0 |
| B4 | IO06RSB0 |
| B5 | IO10RSB0 |
| B6 | GBC0/IO14RSB0 |
| B7 | GBB1/IO17RSB0 |
| B8 | IO21RSB1 |
| B9 | GBB2/IO22RSB1 |
| C1 | GAB2/IO65RSB3 |
| C2 | IO66RSB3 |
| C3 | GND |
| C4 | IO08RSB0 |
| C5 | IO11RSB0 |
| C6 | GND |
| C7 | GBA0/IO18RSB0 |
| C8 | GBC2/IO23RSB1 |
| C9 | IO24RSB1 |
| D1 | GAC2/IO63RSB3 |
| D2 | IO64RSB3 |
| D3 | GFA2/IO56RSB3 |
| D4 | VCC |
| D5 | VCCIB0 |
| D6 | GND |
| D7 | IO30RSB1 |
| D8 | GCC1/IO25RSB1 |
| D9 | GCC0/IO26RSB1 |

| CS81 | |
|------------|-------------------|
| Pin Number | AGLN250Z Function |
| E1 | GFB0/IO59RSB3 |
| E2 | GFB1/IO60RSB3 |
| E3 | GFA1/IO58RSB3 |
| E4 | VCCIB3 |
| E5 | VCC |
| E6 | VCCIB1 |
| E7 | GCA0/IO28RSB1 |
| E8 | GCA1/IO27RSB1 |
| E9 | GCB2/IO29RSB1 |
| F1* | VCCPLF |
| F2* | VCOMPLF |
| F3 | GND |
| F4 | GND |
| F5 | VCCIB2 |
| F6 | GND |
| F7 | GDA1/IO33RSB1 |
| F8 | GDC1/IO31RSB1 |
| F9 | GDC0/IO32RSB1 |
| G1 | GEA0/IO51RSB3 |
| G2 | GEC1/IO54RSB3 |
| G3 | GEC0/IO53RSB3 |
| G4 | IO45RSB2 |
| G5 | IO42RSB2 |
| G6 | IO37RSB2 |
| G7 | GDB2/IO35RSB2 |
| G8 | VJTAG |
| G9 | TRST |
| H1 | GEA1/IO52RSB3 |
| H2 | FF/GEB2/IO49RSB2 |
| H3 | IO47RSB2 |
| H4 | IO44RSB2 |
| H5 | IO41RSB2 |
| H6 | IO39RSB2 |
| H7 | GDA2/IO34RSB2 |
| H8 | TDI |
| H9 | TDO |

| CS81 | |
|------------|-------------------|
| Pin Number | AGLN250Z Function |
| J1 | GEA2/IO50RSB2 |
| J2 | GEC2/IO48RSB2 |
| J3 | IO46RSB2 |
| J4 | IO43RSB2 |
| J5 | IO40RSB2 |
| J6 | IO38RSB2 |
| J7 | TCK |
| J8 | TMS |
| J9 | VPUMP |

Note: * Pin numbers F1 and F2 must be connected to ground because a PLL is not supported for AGLN250Z-CS81.

QN48



Notes:

1. *This is the bottom view of the package.*
 2. *The die attach paddle of the package is tied to ground (GND).*
-

Note

For Package Manufacturing and Environmental information, visit the Resource Center at <http://www.microsemi.com/soc/products/solutions/package/docs.aspx>.

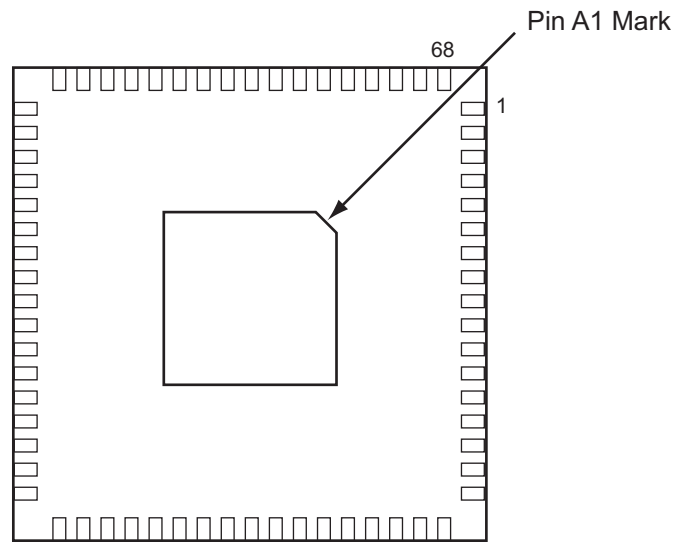
| QN48 | |
|------------|------------------|
| Pin Number | AGLN010 Function |
| 1 | GEC0/IO37RSB1 |
| 2 | IO36RSB1 |
| 3 | GEA0/IO34RSB1 |
| 4 | IO22RSB1 |
| 5 | GND |
| 6 | VCCIB1 |
| 7 | IO24RSB1 |
| 8 | IO33RSB1 |
| 9 | IO26RSB1 |
| 10 | IO32RSB1 |
| 11 | IO27RSB1 |
| 12 | IO29RSB1 |
| 13 | IO30RSB1 |
| 14 | FF/IO31RSB1 |
| 15 | IO28RSB1 |
| 16 | IO25RSB1 |
| 17 | IO23RSB1 |
| 18 | VCC |
| 19 | VCCIB1 |
| 20 | IO17RSB1 |
| 21 | IO14RSB1 |
| 22 | TCK |
| 23 | TDI |
| 24 | TMS |
| 25 | VPUMP |
| 26 | TDO |
| 27 | TRST |
| 28 | VJTAG |
| 29 | IO11RSB0 |
| 30 | IO10RSB0 |
| 31 | IO09RSB0 |
| 32 | IO08RSB0 |
| 33 | VCCIB0 |
| 34 | GND |
| 35 | VCC |

| QN48 | |
|------------|------------------|
| Pin Number | AGLN010 Function |
| 36 | IO07RSB0 |
| 37 | IO06RSB0 |
| 38 | GDA0/IO05RSB0 |
| 39 | IO03RSB0 |
| 40 | GDC0/IO01RSB0 |
| 41 | IO12RSB1 |
| 42 | IO13RSB1 |
| 43 | IO15RSB1 |
| 44 | IO16RSB1 |
| 45 | IO18RSB1 |
| 46 | IO19RSB1 |
| 47 | IO20RSB1 |
| 48 | IO21RSB1 |

| QN48 | |
|------------|-------------------|
| Pin Number | AGLN030Z Function |
| 1 | IO82RSB1 |
| 2 | GEC0/IO73RSB1 |
| 3 | GEA0/IO72RSB1 |
| 4 | GEB0/IO71RSB1 |
| 5 | GND |
| 6 | VCCIB1 |
| 7 | IO68RSB1 |
| 8 | IO67RSB1 |
| 9 | IO66RSB1 |
| 10 | IO65RSB1 |
| 11 | IO64RSB1 |
| 12 | IO62RSB1 |
| 13 | IO61RSB1 |
| 14 | FF/IO60RSB1 |
| 15 | IO57RSB1 |
| 16 | IO55RSB1 |
| 17 | IO53RSB1 |
| 18 | VCC |
| 19 | VCCIB1 |
| 20 | IO46RSB1 |
| 21 | IO42RSB1 |
| 22 | TCK |
| 23 | TDI |
| 24 | TMS |
| 25 | VPUMP |
| 26 | TDO |
| 27 | TRST |
| 28 | VJTAG |
| 29 | IO38RSB0 |
| 30 | GDB0/IO34RSB0 |
| 31 | GDA0/IO33RSB0 |
| 32 | GDC0/IO32RSB0 |
| 33 | VCCIB0 |
| 34 | GND |
| 35 | VCC |
| 36 | IO25RSB0 |

| QN48 | |
|------------|-------------------|
| Pin Number | AGLN030Z Function |
| 37 | IO24RSB0 |
| 38 | IO22RSB0 |
| 39 | IO20RSB0 |
| 40 | IO18RSB0 |
| 41 | IO16RSB0 |
| 42 | IO14RSB0 |
| 43 | IO10RSB0 |
| 44 | IO08RSB0 |
| 45 | IO06RSB0 |
| 46 | IO04RSB0 |
| 47 | IO02RSB0 |
| 48 | IO00RSB0 |

QN68



Notes:

1. This is the bottom view of the package.
 2. The die attach paddle of the package is tied to ground (GND).
-

Note

For Package Manufacturing and Environmental information, visit the Resource Center at <http://www.microsemi.com/soc/products/solutions/package/docs.aspx>.

| QN68 | |
|------------|------------------|
| Pin Number | AGLN015 Function |
| 1 | IO60RSB2 |
| 2 | IO54RSB2 |
| 3 | IO52RSB2 |
| 4 | IO50RSB2 |
| 5 | IO49RSB2 |
| 6 | GEC0/IO48RSB2 |
| 7 | GEA0/IO47RSB2 |
| 8 | VCC |
| 9 | GND |
| 10 | VCCIB2 |
| 11 | IO46RSB2 |
| 12 | IO45RSB2 |
| 13 | IO44RSB2 |
| 14 | IO43RSB2 |
| 15 | IO42RSB2 |
| 16 | IO41RSB2 |
| 17 | IO40RSB2 |
| 18 | FF/IO39RSB1 |
| 19 | IO37RSB1 |
| 20 | IO35RSB1 |
| 21 | IO33RSB1 |
| 22 | IO31RSB1 |
| 23 | IO30RSB1 |
| 24 | VCC |
| 25 | GND |
| 26 | VCCIB1 |
| 27 | IO27RSB1 |
| 28 | IO25RSB1 |
| 29 | IO23RSB1 |
| 30 | IO21RSB1 |
| 31 | IO19RSB1 |
| 32 | TCK |
| 33 | TDI |
| 34 | TMS |
| 35 | VPUMP |

| QN68 | |
|------------|------------------|
| Pin Number | AGLN015 Function |
| 36 | TDO |
| 37 | TRST |
| 38 | VJTAG |
| 39 | IO17RSB0 |
| 40 | IO16RSB0 |
| 41 | GDA0/IO15RSB0 |
| 42 | GDC0/IO14RSB0 |
| 43 | IO13RSB0 |
| 44 | VCCIB0 |
| 45 | GND |
| 46 | VCC |
| 47 | IO12RSB0 |
| 48 | IO11RSB0 |
| 49 | IO09RSB0 |
| 50 | IO05RSB0 |
| 51 | IO00RSB0 |
| 52 | IO07RSB0 |
| 53 | IO03RSB0 |
| 54 | IO18RSB1 |
| 55 | IO20RSB1 |
| 56 | IO22RSB1 |
| 57 | IO24RSB1 |
| 58 | IO28RSB1 |
| 59 | NC |
| 60 | GND |
| 61 | NC |
| 62 | IO32RSB1 |
| 63 | IO34RSB1 |
| 64 | IO36RSB1 |
| 65 | IO61RSB2 |
| 66 | IO58RSB2 |
| 67 | IO56RSB2 |
| 68 | IO63RSB2 |

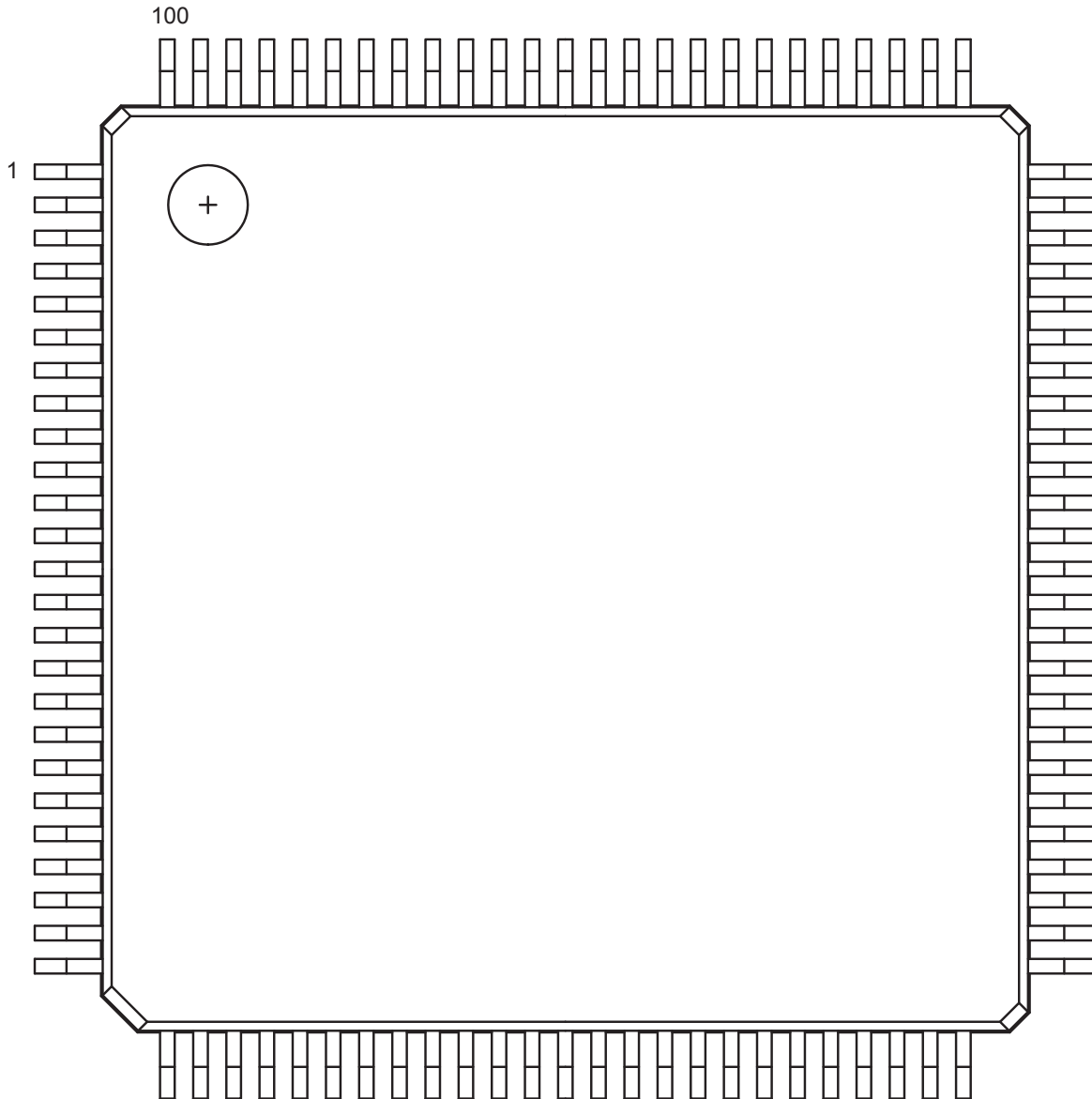
| QN68 | |
|------------|------------------|
| Pin Number | AGLN020 Function |
| 1 | IO60RSB2 |
| 2 | IO54RSB2 |
| 3 | IO52RSB2 |
| 4 | IO50RSB2 |
| 5 | IO49RSB2 |
| 6 | GEC0/IO48RSB2 |
| 7 | GEA0/IO47RSB2 |
| 8 | VCC |
| 9 | GND |
| 10 | VCCIB2 |
| 11 | IO46RSB2 |
| 12 | IO45RSB2 |
| 13 | IO44RSB2 |
| 14 | IO43RSB2 |
| 15 | IO42RSB2 |
| 16 | IO41RSB2 |
| 17 | IO40RSB2 |
| 18 | FF/IO39RSB1 |
| 19 | IO37RSB1 |
| 20 | IO35RSB1 |
| 21 | IO33RSB1 |
| 22 | IO31RSB1 |
| 23 | IO30RSB1 |
| 24 | VCC |
| 25 | GND |
| 26 | VCCIB1 |
| 27 | IO27RSB1 |
| 28 | IO25RSB1 |
| 29 | IO23RSB1 |
| 30 | IO21RSB1 |
| 31 | IO19RSB1 |
| 32 | TCK |
| 33 | TDI |
| 34 | TMS |
| 35 | VPUMP |

| QN68 | |
|------------|------------------|
| Pin Number | AGLN020 Function |
| 36 | TDO |
| 37 | TRST |
| 38 | VJTAG |
| 39 | IO17RSB0 |
| 40 | IO16RSB0 |
| 41 | GDA0/IO15RSB0 |
| 42 | GDC0/IO14RSB0 |
| 43 | IO13RSB0 |
| 44 | VCCIB0 |
| 45 | GND |
| 46 | VCC |
| 47 | IO12RSB0 |
| 48 | IO11RSB0 |
| 49 | IO09RSB0 |
| 50 | IO05RSB0 |
| 51 | IO00RSB0 |
| 52 | IO07RSB0 |
| 53 | IO03RSB0 |
| 54 | IO18RSB1 |
| 55 | IO20RSB1 |
| 56 | IO22RSB1 |
| 57 | IO24RSB1 |
| 58 | IO28RSB1 |
| 59 | NC |
| 60 | GND |
| 61 | NC |
| 62 | IO32RSB1 |
| 63 | IO34RSB1 |
| 64 | IO36RSB1 |
| 65 | IO61RSB2 |
| 66 | IO58RSB2 |
| 67 | IO56RSB2 |
| 68 | IO63RSB2 |

| QN68 | |
|------------|-------------------|
| Pin Number | AGLN030Z Function |
| 1 | IO82RSB1 |
| 2 | IO80RSB1 |
| 3 | IO78RSB1 |
| 4 | IO76RSB1 |
| 5 | GEC0/IO73RSB1 |
| 6 | GEA0/IO72RSB1 |
| 7 | GEB0/IO71RSB1 |
| 8 | VCC |
| 9 | GND |
| 10 | VCCIB1 |
| 11 | IO68RSB1 |
| 12 | IO67RSB1 |
| 13 | IO66RSB1 |
| 14 | IO65RSB1 |
| 15 | IO64RSB1 |
| 16 | IO63RSB1 |
| 17 | IO62RSB1 |
| 18 | FF/IO60RSB1 |
| 19 | IO58RSB1 |
| 20 | IO56RSB1 |
| 21 | IO54RSB1 |
| 22 | IO52RSB1 |
| 23 | IO51RSB1 |
| 24 | VCC |
| 25 | GND |
| 26 | VCCIB1 |
| 27 | IO50RSB1 |
| 28 | IO48RSB1 |
| 29 | IO46RSB1 |
| 30 | IO44RSB1 |
| 31 | IO42RSB1 |
| 32 | TCK |
| 33 | TDI |
| 34 | TMS |
| 35 | VPUMP |

| QN68 | |
|------------|-------------------|
| Pin Number | AGLN030Z Function |
| 36 | TDO |
| 37 | TRST |
| 38 | VJTAG |
| 39 | IO40RSB0 |
| 40 | IO37RSB0 |
| 41 | GDB0/IO34RSB0 |
| 42 | GDA0/IO33RSB0 |
| 43 | GDC0/IO32RSB0 |
| 44 | VCCIB0 |
| 45 | GND |
| 46 | VCC |
| 47 | IO31RSB0 |
| 48 | IO29RSB0 |
| 49 | IO28RSB0 |
| 50 | IO27RSB0 |
| 51 | IO25RSB0 |
| 52 | IO24RSB0 |
| 53 | IO22RSB0 |
| 54 | IO21RSB0 |
| 55 | IO19RSB0 |
| 56 | IO17RSB0 |
| 57 | IO15RSB0 |
| 58 | IO14RSB0 |
| 59 | VCCIB0 |
| 60 | GND |
| 61 | VCC |
| 62 | IO12RSB0 |
| 63 | IO10RSB0 |
| 64 | IO08RSB0 |
| 65 | IO06RSB0 |
| 66 | IO04RSB0 |
| 67 | IO02RSB0 |
| 68 | IO00RSB0 |

VQ100



Note: This is the top view of the package.

Note

For Package Manufacturing and Environmental information, visit the Resource Center at <http://www.microsemi.com/soc/products/solutions/package/docs.aspx>.

| VQ100 | |
|------------|-------------------|
| Pin Number | AGLN030Z Function |
| 1 | GND |
| 2 | IO82RSB1 |
| 3 | IO81RSB1 |
| 4 | IO80RSB1 |
| 5 | IO79RSB1 |
| 6 | IO78RSB1 |
| 7 | IO77RSB1 |
| 8 | IO76RSB1 |
| 9 | GND |
| 10 | IO75RSB1 |
| 11 | IO74RSB1 |
| 12 | GEC0/IO73RSB1 |
| 13 | GEA0/IO72RSB1 |
| 14 | GEB0/IO71RSB1 |
| 15 | IO70RSB1 |
| 16 | IO69RSB1 |
| 17 | VCC |
| 18 | VCCIB1 |
| 19 | IO68RSB1 |
| 20 | IO67RSB1 |
| 21 | IO66RSB1 |
| 22 | IO65RSB1 |
| 23 | IO64RSB1 |
| 24 | IO63RSB1 |
| 25 | IO62RSB1 |
| 26 | IO61RSB1 |
| 27 | FF/IO60RSB1 |
| 28 | IO59RSB1 |
| 29 | IO58RSB1 |
| 30 | IO57RSB1 |
| 31 | IO56RSB1 |
| 32 | IO55RSB1 |
| 33 | IO54RSB1 |
| 34 | IO53RSB1 |
| 35 | IO52RSB1 |

| VQ100 | |
|------------|-------------------|
| Pin Number | AGLN030Z Function |
| 36 | IO51RSB1 |
| 37 | VCC |
| 38 | GND |
| 39 | VCCIB1 |
| 40 | IO49RSB1 |
| 41 | IO47RSB1 |
| 42 | IO46RSB1 |
| 43 | IO45RSB1 |
| 44 | IO44RSB1 |
| 45 | IO43RSB1 |
| 46 | IO42RSB1 |
| 47 | TCK |
| 48 | TDI |
| 49 | TMS |
| 50 | NC |
| 51 | GND |
| 52 | VPUMP |
| 53 | NC |
| 54 | TDO |
| 55 | TRST |
| 56 | VJTAG |
| 57 | IO41RSB0 |
| 58 | IO40RSB0 |
| 59 | IO39RSB0 |
| 60 | IO38RSB0 |
| 61 | IO37RSB0 |
| 62 | IO36RSB0 |
| 63 | GDB0/IO34RSB0 |
| 64 | GDA0/IO33RSB0 |
| 65 | GDC0/IO32RSB0 |
| 66 | VCCIB0 |
| 67 | GND |
| 68 | VCC |
| 69 | IO31RSB0 |
| 70 | IO30RSB0 |

| VQ100 | |
|------------|-------------------|
| Pin Number | AGLN030Z Function |
| 71 | IO29RSB0 |
| 72 | IO28RSB0 |
| 73 | IO27RSB0 |
| 74 | IO26RSB0 |
| 75 | IO25RSB0 |
| 76 | IO24RSB0 |
| 77 | IO23RSB0 |
| 78 | IO22RSB0 |
| 79 | IO21RSB0 |
| 80 | IO20RSB0 |
| 81 | IO19RSB0 |
| 82 | IO18RSB0 |
| 83 | IO17RSB0 |
| 84 | IO16RSB0 |
| 85 | IO15RSB0 |
| 86 | IO14RSB0 |
| 87 | VCCIB0 |
| 88 | GND |
| 89 | VCC |
| 90 | IO12RSB0 |
| 91 | IO10RSB0 |
| 92 | IO08RSB0 |
| 93 | IO07RSB0 |
| 94 | IO06RSB0 |
| 95 | IO05RSB0 |
| 96 | IO04RSB0 |
| 97 | IO03RSB0 |
| 98 | IO02RSB0 |
| 99 | IO01RSB0 |
| 100 | IO00RSB0 |

| VQ100 | | VQ100 | | VQ100 | |
|------------|------------------|------------|------------------|------------|------------------|
| Pin Number | AGLN060 Function | Pin Number | AGLN060 Function | Pin Number | AGLN060 Function |
| 1 | GND | 36 | IO61RSB1 | 71 | GBB2/IO27RSB0 |
| 2 | GAA2/IO51RSB1 | 37 | VCC | 72 | IO26RSB0 |
| 3 | IO52RSB1 | 38 | GND | 73 | GBA2/IO25RSB0 |
| 4 | GAB2/IO53RSB1 | 39 | VCCIB1 | 74 | VMV0 |
| 5 | IO95RSB1 | 40 | IO60RSB1 | 75 | GNDQ |
| 6 | GAC2/IO94RSB1 | 41 | IO59RSB1 | 76 | GBA1/IO24RSB0 |
| 7 | IO93RSB1 | 42 | IO58RSB1 | 77 | GBA0/IO23RSB0 |
| 8 | IO92RSB1 | 43 | IO57RSB1 | 78 | GBB1/IO22RSB0 |
| 9 | GND | 44 | GDC2/IO56RSB1 | 79 | GBB0/IO21RSB0 |
| 10 | GFB1/IO87RSB1 | 45* | GDB2/IO55RSB1 | 80 | GBC1/IO20RSB0 |
| 11 | GFB0/IO86RSB1 | 46 | GDA2/IO54RSB1 | 81 | GBC0/IO19RSB0 |
| 12 | VCOMPLF | 47 | TCK | 82 | IO18RSB0 |
| 13 | GFA0/IO85RSB1 | 48 | TDI | 83 | IO17RSB0 |
| 14 | VCCPLF | 49 | TMS | 84 | IO15RSB0 |
| 15 | GFA1/IO84RSB1 | 50 | VMV1 | 85 | IO13RSB0 |
| 16 | GFA2/IO83RSB1 | 51 | GND | 86 | IO11RSB0 |
| 17 | VCC | 52 | VPUMP | 87 | VCCIB0 |
| 18 | VCCIB1 | 53 | NC | 88 | GND |
| 19 | GEC1/IO77RSB1 | 54 | TDO | 89 | VCC |
| 20 | GEB1/IO75RSB1 | 55 | TRST | 90 | IO10RSB0 |
| 21 | GEB0/IO74RSB1 | 56 | VJTAG | 91 | IO09RSB0 |
| 22 | GEA1/IO73RSB1 | 57 | GDA1/IO49RSB0 | 92 | IO08RSB0 |
| 23 | GEA0/IO72RSB1 | 58 | GDC0/IO46RSB0 | 93 | GAC1/IO07RSB0 |
| 24 | VMV1 | 59 | GDC1/IO45RSB0 | 94 | GAC0/IO06RSB0 |
| 25 | GNDQ | 60 | GCC2/IO43RSB0 | 95 | GAB1/IO05RSB0 |
| 26 | GEA2/IO71RSB1 | 61 | GCB2/IO42RSB0 | 96 | GAB0/IO04RSB0 |
| 27 | FF/GEB2/IO70RSB1 | 62 | GCA0/IO40RSB0 | 97 | GAA1/IO03RSB0 |
| 28 | GEC2/IO69RSB1 | 63 | GCA1/IO39RSB0 | 98 | GAA0/IO02RSB0 |
| 29 | IO68RSB1 | 64 | GCC0/IO36RSB0 | 99 | IO01RSB0 |
| 30 | IO67RSB1 | 65 | GCC1/IO35RSB0 | 100 | IO00RSB0 |
| 31 | IO66RSB1 | 66 | VCCIB0 | | |
| 32 | IO65RSB1 | 67 | GND | | |
| 33 | IO64RSB1 | 68 | VCC | | |
| 34 | IO63RSB1 | 69 | IO31RSB0 | | |
| 35 | IO62RSB1 | 70 | GBC2/IO29RSB0 | | |

Note: *The bus hold attribute (hold previous I/O state in Flash*Freeze mode) is not supported for pin 45 in AGLN060-VQ100.

| VQ100 | | VQ100 | | VQ100 | |
|------------|-------------------|------------|-------------------|------------|-------------------|
| Pin Number | AGLN060Z Function | Pin Number | AGLN060Z Function | Pin Number | AGLN060Z Function |
| 1 | GND | 35 | IO62RSB1 | 69 | IO31RSB0 |
| 2 | GAA2/IO51RSB1 | 36 | IO61RSB1 | 70 | GBC2/IO29RSB0 |
| 3 | IO52RSB1 | 37 | VCC | 71 | GBB2/IO27RSB0 |
| 4 | GAB2/IO53RSB1 | 38 | GND | 72 | IO26RSB0 |
| 5 | IO95RSB1 | 39 | VCCIB1 | 73 | GBA2/IO25RSB0 |
| 6 | GAC2/IO94RSB1 | 40 | IO60RSB1 | 74 | VMV0 |
| 7 | IO93RSB1 | 41 | IO59RSB1 | 75 | GNDQ |
| 8 | IO92RSB1 | 42 | IO58RSB1 | 76 | GBA1/IO24RSB0 |
| 9 | GND | 43 | IO57RSB1 | 77 | GBA0/IO23RSB0 |
| 10 | GFB1/IO87RSB1 | 44 | GDC2/IO56RSB1 | 78 | GBB1/IO22RSB0 |
| 11 | GFB0/IO86RSB1 | 45* | GDB2/IO55RSB1 | 79 | GBB0/IO21RSB0 |
| 12 | VCOMPLF | 46 | GDA2/IO54RSB1 | 80 | GBC1/IO20RSB0 |
| 13 | GFA0/IO85RSB1 | 47 | TCK | 81 | GBC0/IO19RSB0 |
| 14 | VCCPLF | 48 | TDI | 82 | IO18RSB0 |
| 15 | GFA1/IO84RSB1 | 49 | TMS | 83 | IO17RSB0 |
| 16 | GFA2/IO83RSB1 | 50 | VMV1 | 84 | IO15RSB0 |
| 17 | VCC | 51 | GND | 85 | IO13RSB0 |
| 18 | VCCIB1 | 52 | VPUMP | 86 | IO11RSB0 |
| 19 | GEC1/IO77RSB1 | 53 | NC | 87 | VCCIB0 |
| 20 | GEB1/IO75RSB1 | 54 | TDO | 88 | GND |
| 21 | GEB0/IO74RSB1 | 55 | TRST | 89 | VCC |
| 22 | GEA1/IO73RSB1 | 56 | VJTAG | 90 | IO10RSB0 |
| 23 | GEA0/IO72RSB1 | 57 | GDA1/IO49RSB0 | 91 | IO09RSB0 |
| 24 | VMV1 | 58 | GDC0/IO46RSB0 | 92 | IO08RSB0 |
| 25 | GNDQ | 59 | GDC1/IO45RSB0 | 93 | GAC1/IO07RSB0 |
| 26 | GEA2/IO71RSB1 | 60 | GCC2/IO43RSB0 | 94 | GAC0/IO06RSB0 |
| 27 | FF/GEB2/IO70RSB1 | 61 | GCB2/IO42RSB0 | 95 | GAB1/IO05RSB0 |
| 28 | GEC2/IO69RSB1 | 62 | GCA0/IO40RSB0 | 96 | GAB0/IO04RSB0 |
| 29 | IO68RSB1 | 63 | GCA1/IO39RSB0 | 97 | GAA1/IO03RSB0 |
| 30 | IO67RSB1 | 64 | GCC0/IO36RSB0 | 98 | GAA0/IO02RSB0 |
| 31 | IO66RSB1 | 65 | GCC1/IO35RSB0 | 99 | IO01RSB0 |
| 32 | IO65RSB1 | 66 | VCCIB0 | 100 | IO00RSB0 |
| 33 | IO64RSB1 | 67 | GND | | |
| 34 | IO63RSB1 | 68 | VCC | | |

Note: *The bus hold attribute (hold previous I/O state in Flash*Freeze mode) is not supported for pin 45 in AGLN060Z-VQ100.

| VQ100 | |
|------------|-------------------|
| Pin Number | AGLN125 Function |
| 1 | GND |
| 2 | GAA2/IO67RSB1 |
| 3 | IO68RSB1 |
| 4 | GAB2/IO69RSB1 |
| 5 | IO132RSB1 |
| 6 | GAC2/IO131RSB1 |
| 7 | IO130RSB1 |
| 8 | IO129RSB1 |
| 9 | GND |
| 10 | GFB1/IO124RSB1 |
| 11 | GFB0/IO123RSB1 |
| 12 | VCOMPLF |
| 13 | GFA0/IO122RSB1 |
| 14 | VCCPLF |
| 15 | GFA1/IO121RSB1 |
| 16 | GFA2/IO120RSB1 |
| 17 | VCC |
| 18 | VCCIB1 |
| 19 | GEC0/IO111RSB1 |
| 20 | GEB1/IO110RSB1 |
| 21 | GEB0/IO109RSB1 |
| 22 | GEA1/IO108RSB1 |
| 23 | GEA0/IO107RSB1 |
| 24 | VMV1 |
| 25 | GNDQ |
| 26 | GEA2/IO106RSB1 |
| 27 | FF/GEB2/IO105RSB1 |
| 28 | GEC2/IO104RSB1 |
| 29 | IO102RSB1 |
| 30 | IO100RSB1 |
| 31 | IO99RSB1 |
| 32 | IO97RSB1 |
| 33 | IO96RSB1 |
| 34 | IO95RSB1 |
| 35 | IO94RSB1 |
| 36 | IO93RSB1 |

| VQ100 | |
|------------|------------------|
| Pin Number | AGLN125 Function |
| 37 | VCC |
| 38 | GND |
| 39 | VCCIB1 |
| 40 | IO87RSB1 |
| 41 | IO84RSB1 |
| 42 | IO81RSB1 |
| 43 | IO75RSB1 |
| 44 | GDC2/IO72RSB1 |
| 45 | GDB2/IO71RSB1 |
| 46 | GDA2/IO70RSB1 |
| 47 | TCK |
| 48 | TDI |
| 49 | TMS |
| 50 | VMV1 |
| 51 | GND |
| 52 | VPUMP |
| 53 | NC |
| 54 | TDO |
| 55 | TRST |
| 56 | VJTAG |
| 57 | GDA1/IO65RSB0 |
| 58 | GDC0/IO62RSB0 |
| 59 | GDC1/IO61RSB0 |
| 60 | GCC2/IO59RSB0 |
| 61 | GCB2/IO58RSB0 |
| 62 | GCA0/IO56RSB0 |
| 63 | GCA1/IO55RSB0 |
| 64 | GCC0/IO52RSB0 |
| 65 | GCC1/IO51RSB0 |
| 66 | VCCIB0 |
| 67 | GND |
| 68 | VCC |
| 69 | IO47RSB0 |
| 70 | GBC2/IO45RSB0 |
| 71 | GBB2/IO43RSB0 |
| 72 | IO42RSB0 |

| VQ100 | |
|------------|------------------|
| Pin Number | AGLN125 Function |
| 73 | GBA2/IO41RSB0 |
| 74 | VMV0 |
| 75 | GNDQ |
| 76 | GBA1/IO40RSB0 |
| 77 | GBA0/IO39RSB0 |
| 78 | GBB1/IO38RSB0 |
| 79 | GBB0/IO37RSB0 |
| 80 | GBC1/IO36RSB0 |
| 81 | GBC0/IO35RSB0 |
| 82 | IO32RSB0 |
| 83 | IO28RSB0 |
| 84 | IO25RSB0 |
| 85 | IO22RSB0 |
| 86 | IO19RSB0 |
| 87 | VCCIB0 |
| 88 | GND |
| 89 | VCC |
| 90 | IO15RSB0 |
| 91 | IO13RSB0 |
| 92 | IO11RSB0 |
| 93 | IO09RSB0 |
| 94 | IO07RSB0 |
| 95 | GAC1/IO05RSB0 |
| 96 | GAC0/IO04RSB0 |
| 97 | GAB1/IO03RSB0 |
| 98 | GAB0/IO02RSB0 |
| 99 | GAA1/IO01RSB0 |
| 100 | GAA0/IO00RSB0 |

| VQ100 | |
|------------|-------------------|
| Pin Number | AGLN125Z Function |
| 1 | GND |
| 2 | GAA2/IO67RSB1 |
| 3 | IO68RSB1 |
| 4 | GAB2/IO69RSB1 |
| 5 | IO132RSB1 |
| 6 | GAC2/IO131RSB1 |
| 7 | IO130RSB1 |
| 8 | IO129RSB1 |
| 9 | GND |
| 10 | GFB1/IO124RSB1 |
| 11 | GFB0/IO123RSB1 |
| 12 | VCOMPLF |
| 13 | GFA0/IO122RSB1 |
| 14 | VCCPLF |
| 15 | GFA1/IO121RSB1 |
| 16 | GFA2/IO120RSB1 |
| 17 | VCC |
| 18 | VCCIB1 |
| 19 | GEC0/IO111RSB1 |
| 20 | GEB1/IO110RSB1 |
| 21 | GEB0/IO109RSB1 |
| 22 | GEA1/IO108RSB1 |
| 23 | GEA0/IO107RSB1 |
| 24 | VMV1 |
| 25 | GNDQ |
| 26 | GEA2/IO106RSB1 |
| 27 | FF/GEB2/IO105RSB1 |
| 28 | GEC2/IO104RSB1 |
| 29 | IO102RSB1 |
| 30 | IO100RSB1 |
| 31 | IO99RSB1 |
| 32 | IO97RSB1 |
| 33 | IO96RSB1 |
| 34 | IO95RSB1 |
| 35 | IO94RSB1 |

| VQ100 | |
|------------|-------------------|
| Pin Number | AGLN125Z Function |
| 36 | IO93RSB1 |
| 37 | VCC |
| 38 | GND |
| 39 | VCCIB1 |
| 40 | IO87RSB1 |
| 41 | IO84RSB1 |
| 42 | IO81RSB1 |
| 43 | IO75RSB1 |
| 44 | GDC2/IO72RSB1 |
| 45 | GDB2/IO71RSB1 |
| 46 | GDA2/IO70RSB1 |
| 47 | TCK |
| 48 | TDI |
| 49 | TMS |
| 50 | VMV1 |
| 51 | GND |
| 52 | VPUMP |
| 53 | NC |
| 54 | TDO |
| 55 | TRST |
| 56 | VJTAG |
| 57 | GDA1/IO65RSB0 |
| 58 | GDC0/IO62RSB0 |
| 59 | GDC1/IO61RSB0 |
| 60 | GCC2/IO59RSB0 |
| 61 | GCB2/IO58RSB0 |
| 62 | GCA0/IO56RSB0 |
| 63 | GCA1/IO55RSB0 |
| 64 | GCC0/IO52RSB0 |
| 65 | GCC1/IO51RSB0 |
| 66 | VCCIB0 |
| 67 | GND |
| 68 | VCC |
| 69 | IO47RSB0 |
| 70 | GBC2/IO45RSB0 |

| VQ100 | |
|------------|-------------------|
| Pin Number | AGLN125Z Function |
| 71 | GBB2/IO43RSB0 |
| 72 | IO42RSB0 |
| 73 | GBA2/IO41RSB0 |
| 74 | VMV0 |
| 75 | GNDQ |
| 76 | GBA1/IO40RSB0 |
| 77 | GBA0/IO39RSB0 |
| 78 | GBB1/IO38RSB0 |
| 79 | GBB0/IO37RSB0 |
| 80 | GBC1/IO36RSB0 |
| 81 | GBC0/IO35RSB0 |
| 82 | IO32RSB0 |
| 83 | IO28RSB0 |
| 84 | IO25RSB0 |
| 85 | IO22RSB0 |
| 86 | IO19RSB0 |
| 87 | VCCIB0 |
| 88 | GND |
| 89 | VCC |
| 90 | IO15RSB0 |
| 91 | IO13RSB0 |
| 92 | IO11RSB0 |
| 93 | IO09RSB0 |
| 94 | IO07RSB0 |
| 95 | GAC1/IO05RSB0 |
| 96 | GAC0/IO04RSB0 |
| 97 | GAB1/IO03RSB0 |
| 98 | GAB0/IO02RSB0 |
| 99 | GAA1/IO01RSB0 |
| 100 | GAA0/IO00RSB0 |

| VQ100 | |
|------------|------------------|
| Pin Number | AGLN250 Function |
| 1 | GND |
| 2 | GAA2/IO67RSB3 |
| 3 | IO66RSB3 |
| 4 | GAB2/IO65RSB3 |
| 5 | IO64RSB3 |
| 6 | GAC2/IO63RSB3 |
| 7 | IO62RSB3 |
| 8 | IO61RSB3 |
| 9 | GND |
| 10 | GFB1/IO60RSB3 |
| 11 | GFB0/IO59RSB3 |
| 12 | VCOMPLF |
| 13 | GFA0/IO57RSB3 |
| 14 | VCCPLF |
| 15 | GFA1/IO58RSB3 |
| 16 | GFA2/IO56RSB3 |
| 17 | VCC |
| 18 | VCCIB3 |
| 19 | GFC2/IO55RSB3 |
| 20 | GEC1/IO54RSB3 |
| 21 | GEC0/IO53RSB3 |
| 22 | GEA1/IO52RSB3 |
| 23 | GEA0/IO51RSB3 |
| 24 | VMV3 |
| 25 | GNDQ |
| 26 | GEA2/IO50RSB2 |
| 27 | FF/GEA2/IO49RSB2 |
| 28 | GEC2/IO48RSB2 |
| 29 | IO47RSB2 |
| 30 | IO46RSB2 |
| 31 | IO45RSB2 |
| 32 | IO44RSB2 |
| 33 | IO43RSB2 |
| 34 | IO42RSB2 |
| 35 | IO41RSB2 |
| 36 | IO40RSB2 |

| VQ100 | |
|------------|------------------|
| Pin Number | AGLN250 Function |
| 37 | VCC |
| 38 | GND |
| 39 | VCCIB2 |
| 40 | IO39RSB2 |
| 41 | IO38RSB2 |
| 42 | IO37RSB2 |
| 43 | GDC2/IO36RSB2 |
| 44 | GDB2/IO35RSB2 |
| 45 | GDA2/IO34RSB2 |
| 46 | GNDQ |
| 47 | TCK |
| 48 | TDI |
| 49 | TMS |
| 50 | VMV2 |
| 51 | GND |
| 52 | VPUMP |
| 53 | NC |
| 54 | TDO |
| 55 | TRST |
| 56 | VJTAG |
| 57 | GDA1/IO33RSB1 |
| 58 | GDC0/IO32RSB1 |
| 59 | GDC1/IO31RSB1 |
| 60 | IO30RSB1 |
| 61 | GCB2/IO29RSB1 |
| 62 | GCA1/IO27RSB1 |
| 63 | GCA0/IO28RSB1 |
| 64 | GCC0/IO26RSB1 |
| 65 | GCC1/IO25RSB1 |
| 66 | VCCIB1 |
| 67 | GND |
| 68 | VCC |
| 69 | IO24RSB1 |
| 70 | GBC2/IO23RSB1 |
| 71 | GBB2/IO22RSB1 |
| 72 | IO21RSB1 |

| VQ100 | |
|------------|------------------|
| Pin Number | AGLN250 Function |
| 73 | GBA2/IO20RSB1 |
| 74 | VMV1 |
| 75 | GNDQ |
| 76 | GBA1/IO19RSB0 |
| 77 | GBA0/IO18RSB0 |
| 78 | GBB1/IO17RSB0 |
| 79 | GBB0/IO16RSB0 |
| 80 | GBC1/IO15RSB0 |
| 81 | GBC0/IO14RSB0 |
| 82 | IO13RSB0 |
| 83 | IO12RSB0 |
| 84 | IO11RSB0 |
| 85 | IO10RSB0 |
| 86 | IO09RSB0 |
| 87 | VCCIB0 |
| 88 | GND |
| 89 | VCC |
| 90 | IO08RSB0 |
| 91 | IO07RSB0 |
| 92 | IO06RSB0 |
| 93 | GAC1/IO05RSB0 |
| 94 | GAC0/IO04RSB0 |
| 95 | GAB1/IO03RSB0 |
| 96 | GAB0/IO02RSB0 |
| 97 | GAA1/IO01RSB0 |
| 98 | GAA0/IO00RSB0 |
| 99 | GNDQ |
| 100 | VMV0 |

| VQ100 | |
|------------|-------------------|
| Pin Number | AGLN250Z Function |
| 1 | GND |
| 2 | GAA2/IO67RSB3 |
| 3 | IO66RSB3 |
| 4 | GAB2/IO65RSB3 |
| 5 | IO64RSB3 |
| 6 | GAC2/IO63RSB3 |
| 7 | IO62RSB3 |
| 8 | IO61RSB3 |
| 9 | GND |
| 10 | GFB1/IO60RSB3 |
| 11 | GFB0/IO59RSB3 |
| 12 | VCOMPLF |
| 13 | GFA0/IO57RSB3 |
| 14 | VCCPLF |
| 15 | GFA1/IO58RSB3 |
| 16 | GFA2/IO56RSB3 |
| 17 | VCC |
| 18 | VCCIB3 |
| 19 | GFC2/IO55RSB3 |
| 20 | GEC1/IO54RSB3 |
| 21 | GEC0/IO53RSB3 |
| 22 | GEA1/IO52RSB3 |
| 23 | GEA0/IO51RSB3 |
| 24 | VMV3 |
| 25 | GNDQ |
| 26 | GEA2/IO50RSB2 |
| 27 | FF/GEA2/IO49RSB2 |
| 28 | GEC2/IO48RSB2 |
| 29 | IO47RSB2 |
| 30 | IO46RSB2 |
| 31 | IO45RSB2 |
| 32 | IO44RSB2 |
| 33 | IO43RSB2 |
| 34 | IO42RSB2 |
| 35 | IO41RSB2 |
| 36 | IO40RSB2 |

| VQ100 | |
|------------|-------------------|
| Pin Number | AGLN250Z Function |
| 37 | VCC |
| 38 | GND |
| 39 | VCCIB2 |
| 40 | IO39RSB2 |
| 41 | IO38RSB2 |
| 42 | IO37RSB2 |
| 43 | GDC2/IO36RSB2 |
| 44 | GDB2/IO35RSB2 |
| 45 | GDA2/IO34RSB2 |
| 46 | GNDQ |
| 47 | TCK |
| 48 | TDI |
| 49 | TMS |
| 50 | VMV2 |
| 51 | GND |
| 52 | VPUMP |
| 53 | NC |
| 54 | TDO |
| 55 | TRST |
| 56 | VJTAG |
| 57 | GDA1/IO33RSB1 |
| 58 | GDC0/IO32RSB1 |
| 59 | GDC1/IO31RSB1 |
| 60 | IO30RSB1 |
| 61 | GCB2/IO29RSB1 |
| 62 | GCA1/IO27RSB1 |
| 63 | GCA0/IO28RSB1 |
| 64 | GCC0/IO26RSB1 |
| 65 | GCC1/IO25RSB1 |
| 66 | VCCIB1 |
| 67 | GND |
| 68 | VCC |
| 69 | IO24RSB1 |
| 70 | GBC2/IO23RSB1 |
| 71 | GBB2/IO22RSB1 |
| 72 | IO21RSB1 |

| VQ100 | |
|------------|-------------------|
| Pin Number | AGLN250Z Function |
| 73 | GBA2/IO20RSB1 |
| 74 | VMV1 |
| 75 | GNDQ |
| 76 | GBA1/IO19RSB0 |
| 77 | GBA0/IO18RSB0 |
| 78 | GBB1/IO17RSB0 |
| 79 | GBB0/IO16RSB0 |
| 80 | GBC1/IO15RSB0 |
| 81 | GBC0/IO14RSB0 |
| 82 | IO13RSB0 |
| 83 | IO12RSB0 |
| 84 | IO11RSB0 |
| 85 | IO10RSB0 |
| 86 | IO09RSB0 |
| 87 | VCCIB0 |
| 88 | GND |
| 89 | VCC |
| 90 | IO08RSB0 |
| 91 | IO07RSB0 |
| 92 | IO06RSB0 |
| 93 | GAC1/IO05RSB0 |
| 94 | GAC0/IO04RSB0 |
| 95 | GAB1/IO03RSB0 |
| 96 | GAB0/IO02RSB0 |
| 97 | GAA1/IO01RSB0 |
| 98 | GAA0/IO00RSB0 |
| 99 | GNDQ |
| 100 | VMV0 |

5 – Datasheet Information

List of Changes

The following table lists critical changes that were made in each version of the IGLOO nano datasheet.

| Revision | Changes | Page |
|--|---|---------------|
| Revision 16 (December 2012) | The "IGLOO nano Ordering Information" section has been updated to mention "Y" as "Blank" mentioning "Device Does Not Include License to Implement IP Based on the Cryptography Research, Inc. (CRI) Patent Portfolio" (SAR 43174). | III |
| | The note in Table 2-100 • IGLOO nano CCC/PLL Specification and Table 2-101 • IGLOO nano CCC/PLL Specification referring the reader to SmartGen was revised to refer instead to the online help associated with the core (SAR 42565). | 2-70, 2-71 |
| | Live at Power-Up (LAPU) has been replaced with 'Instant On'. | NA |
| Revision 15 (September 2012) | The status of the AGLN125 device has been modified from 'Advance' to 'Production' in the "IGLOO nano Device Status" section (SAR 41416). | II |
| | Libero Integrated Design Environment (IDE) was changed to Libero System-on-Chip (SoC) throughout the document (SAR 40274). | NA |
| Revision 14 (September 2012) | The "Security" section was modified to clarify that Microsemi does not support read-back of programmed data. | 1-2 |
| Revision 13 (June 2012) | Figure Figure 2-34 • FIFO Read and Figure 2-35 • FIFO Write have been added (SAR 34842). | 2-82 |
| | The following sentence was removed from the "VMVx I/O Supply Voltage (quiet)" section in the "Pin Descriptions" section: "Within the package, the VMV plane is decoupled from the simultaneous switching noise originating from the output buffer VCCI domain" and replaced with "Within the package, the VMV plane biases the input stage of the I/Os in the I/O banks" (SAR 38319). The datasheet mentions that "VMV pins must be connected to the corresponding VCCI pins" for an ESD enhancement. | 3-1 |
| Revision 12 (March 2012) | The "In-System Programming (ISP) and Security" section and "Security" section were revised to clarify that although no existing security measures can give an absolute guarantee, Microsemi FPGAs implement the best security available in the industry (SAR 34663). | I, 1-2 |
| | Notes indicating that AGLN015 is not recommended for new designs have been added (SAR 35759). | II, III |
| | Notes indicating that nano-Z devices are not recommended for new designs have been added. The "Devices Not Recommended For New Designs" section is new (SAR 36759). | |
| | The Y security option and Licensed DPA Logo were added to the "IGLOO nano Ordering Information" section. The trademarked Licensed DPA Logo identifies that a product is covered by a DPA counter-measures license from Cryptography Research (SAR 34722). | III |
| | The following sentence was removed from the "Advanced Architecture" section: "In addition, extensive on-chip programming circuitry enables rapid, single-voltage (3.3 V) programming of IGLOO nano devices via an IEEE 1532 JTAG interface" (SAR 34683). | 1-3 |
| The "Specifying I/O States During Programming" section is new (SAR 34694). | 1-9 | |

| Revision | Changes | Page |
|----------------------------|---|------------------------|
| Revision 12 (continued) | The reference to guidelines for global spines and VersaTile rows, given in the "Global Clock Contribution—PCLOCK" section, was corrected to the "Spine Architecture" section of the Global Resources chapter in the <i>IGLOO nano FPGA Fabric User's Guide</i> (SAR 34732). | 2-12 |
| | Figure 2-4 has been modified for DIN waveform; the Rise and Fall time label has been changed to tDIN (37106). | 2-16 |
| | The AC Loading figures in the "Single-Ended I/O Characteristics" section were updated to match tables in the "Summary of I/O Timing Characteristics – Default I/O Software Settings" section (SAR 34885). | 2-26, 2-20 |
| | The notes regarding drive strength in the "Summary of I/O Timing Characteristics – Default I/O Software Settings" section, "3.3 V LVCMOS Wide Range" section and "1.2 V LVCMOS Wide Range" section tables were revised for clarification. They now state that the minimum drive strength for the default software configuration when run in wide range is $\pm 100 \mu\text{A}$. The drive strength displayed in software is supported in normal range only. For a detailed I/V curve, refer to the IBIS models (SAR 34765). | 2-20, 2-29, 2-40 |
| | Added values for minimum pulse width and removed the FRMAX row from Table 2-88 through Table 2-99 in the "Global Tree Timing Characteristics" section. Use the software to determine the FRMAX for the device you are using (SAR 36953). | 2-64 to 2-69 |
| | Table 2-100 • IGLOO nano CCC/PLL Specification and Table 2-101 • IGLOO nano CCC/PLL Specification were updated. A note was added indicating that when the CCC/PLL core is generated by Microsemi core generator software, not all delay values of the specified delay increments are available (SAR 34817). | 2-70 and 2-71 |
| | The port names in the SRAM "Timing Waveforms", SRAM "Timing Characteristics" tables, Figure 2-36 • FIFO Reset, and the FIFO "Timing Characteristics" tables were revised to ensure consistency with the software names (SAR 35754). Reference was made to a new application note, <i>Simultaneous Read-Write Operations in Dual-Port SRAM for Flash-Based cSoCs and FPGAs</i> , which covers these cases in detail (SAR 34865). | 2-74, 2-77, 2-85 |
| | The "Pin Descriptions" chapter has been added (SAR 34770). | 3-1 |
| | Package names used in the "Package Pin Assignments" section were revised to match standards given in <i>Package Mechanical Drawings</i> (SAR 34770). | 4-1 |
| Revision 11 (Jul 2010) | The status of the AGLN060 device has changed from Advance to Production. | II |
| | The values for PAC1, PAC2, PAC3, and PAC4 were updated in Table 2-15 • Different Components Contributing to Dynamic Power Consumption in IGLOO nano Devices for 1.5 V core supply voltage (SAR 26404). | 2-10 |
| | The values for PAC1, PAC2, PAC3, and PAC4 were updated in Table 2-17 • Different Components Contributing to Dynamic Power Consumption in IGLOO nano Devices for 1.2 V core supply voltage (SAR 26404). | 2-11 |
| July 2010 | The versioning system for datasheets has been changed. Datasheets are assigned a revision number that increments each time the datasheet is revised. The "IGLOO nano Device Status" table on page II indicates the status for each device in the device family. | N/A |

| Revision | Changes | Page |
|---------------------------|--|-------------|
| Revision 10 (Apr 2010) | References to differential inputs were removed from the datasheet, since IGLOO nano devices do not support differential inputs (SAR 21449). | N/A |
| | A parenthetical note, "hold previous I/O state in Flash*Freeze mode," was added to each occurrence of bus hold in the datasheet (SAR 24079). | N/A |
| | The "In-System Programming (ISP) and Security" section was revised to add 1.2 V programming. | I |
| | The note connected with the "IGLOO nano Ordering Information" table was revised to clarify features not available for Z feature grade devices. | III |
| | The "IGLOO nano Device Status" table is new. | II |
| | The definition of C in the "Temperature Grade Offerings" table was changed to "extended commercial temperature range." | IV |
| | 1.2 V wide range was added to the list of voltage ranges in the "I/Os with Advanced I/O Standards" section. | 1-8 |
| | A note was added to Table 2-2 • Recommended Operating Conditions 1 regarding switching from 1.2 V to 1.5 V core voltage for in-system programming. The VJTAG voltage was changed from "1.425 to 3.6" to "1.4 to 3.6" (SAR 24052). The note regarding voltage for programming V2 and V5 devices was revised (SAR 25213). The maximum value for VPUMP programming voltage (operation mode) was changed from 3.45 V to 3.6 V (SAR 25220). | 2-2 |
| | Table 2-6 • Temperature and Voltage Derating Factors for Timing Delays (normalized to $T_J = 70^\circ\text{C}$, $V_{CC} = 1.425\text{ V}$) and Table 2-7 • Temperature and Voltage Derating Factors for Timing Delays (normalized to $T_J = 70^\circ\text{C}$, $V_{CC} = 1.14\text{ V}$) were updated. Table 2-8 • Power Supply State per Mode is new. | 2-6, 2-7 |
| | The tables in the "Quiescent Supply Current" section were updated (SAR 24882 and SAR 24112). | 2-7 |
| | VJTAG was removed from Table 2-10 • Quiescent Supply Current (IDD) Characteristics, IGLOO nano Sleep Mode* (SARs 24112, 24882, and 79503). | 2-8 |
| | The note stating what was included in I_{DD} was removed from Table 2-11 • Quiescent Supply Current (IDD) Characteristics, IGLOO nano Shutdown Mode. The note, "per VCCI or VJTAG bank" was removed from Table 2-12 • Quiescent Supply Current (IDD), No IGLOO nano Flash*Freeze Mode1. The note giving I_{DD} was changed to " $I_{DD} = N_{BANKS} * I_{CCI} + I_{CCA}$." | 2-8 |
| | The values in Table 2-13 • Summary of I/O Input Buffer Power (per pin) – Default I/O Software Settings and Table 2-14 • Summary of I/O Output Buffer Power (per pin) – Default I/O Software Settings1 were updated. Wide range support information was added. | 2-9 |

| Revision | Changes | Page |
|----------------------------|--|-------------------------|
| Revision 10 (continued) | <p>The following tables were updated with current available information. The equivalent software default drive strength option was added.</p> <p>Table 2-21 • Summary of Maximum and Minimum DC Input and Output Levels</p> <p>Table 2-25 • Summary of I/O Timing Characteristics—Software Default Settings</p> <p>Table 2-26 • Summary of I/O Timing Characteristics—Software Default Settings</p> <p>Table 2-28 • I/O Output Buffer Maximum Resistances 1</p> <p>Table 2-29 • I/O Weak Pull-Up/Pull-Down Resistances</p> <p>Table 2-30 • I/O Short Currents IOSH/IOSL</p> <p>Timing tables in the "Single-Ended I/O Characteristics" section, including new tables for 3.3 V and 1.2 V LVCMOS wide range.</p> <p>Table 2-40 • Minimum and Maximum DC Input and Output Levels for LVCMOS 3.3 V Wide Range</p> <p>Table 2-63 • Minimum and Maximum DC Input and Output Levels</p> <p>Table 2-67 • Minimum and Maximum DC Input and Output Levels (new)</p> | 2-19 through 2-40 |
| | <p>The formulas in the notes to Table 2-29 • I/O Weak Pull-Up/Pull-Down Resistances were revised (SAR 21348).</p> | 2-24 |
| | <p>The text introducing Table 2-31 • Duration of Short Circuit Event before Failure was revised to state six months at 100° instead of three months at 110° for reliability concerns. The row for 110° was removed from the table.</p> | 2-25 |
| | <p>The following sentence was deleted from the "2.5 V LVCMOS" section (SAR 24916): "It uses a 5-V tolerant input buffer and push-pull output buffer."</p> | 2-32 |
| | <p>The $F_{DDRIMAX}$ and F_{DDOMAX} values were added to tables in the "DDR Module Specifications" section (SAR 23919). A note was added stating that DDR is not supported for AGLN010, AGLN015, and AGLN020.</p> | 2-51 |
| | <p>Tables in the "Global Tree Timing Characteristics" section were updated with new information available.</p> | 2-64 |
| | <p>Table 2-100 • IGLOO nano CCC/PLL Specification and Table 2-101 • IGLOO nano CCC/PLL Specification were revised (SAR 79390).</p> | 2-70, 2-71 |
| | <p>Tables in the SRAM "Timing Characteristics" section and FIFO "Timing Characteristics" section were updated with new information available.</p> | 2-77, 2-85 |
| | <p>Table 3-3 • TRST and TCK Pull-Down Recommendations is new.</p> | 3-4 |
| | <p>A note was added to the "CS81" pin tables for AGLN060, AGLN060Z, AGLN125, AGLN125Z, AGLN250, and AGLN250Z indicating that pins F1 and F2 must be grounded (SAR 25007).</p> | 4-9, through 4-14 |
| | <p>A note was added to the "CS81" and "VQ100" pin tables for AGLN060 and AGLN060Z stating that bus hold is not available for pin H7 or pin 45 (SAR 24079).</p> | 4-9, 4-24 |
| | <p>The AGLN250 function for pin C8 in the "CS81" table was revised (SAR 22134).</p> | 4-13 |

| Revision / Version | Changes | Page |
|---|--|----------------------|
| Revision 9 (Mar2010) Product Brief Advance v0.9 Packaging Advance v0.8 | All product tables and pin tables were updated to show clearly that AGLN030 is available only in the Z feature grade at this time. The nano-Z feature grade devices are designated with a Z at the end of the part number. | N/A |
| Revision 8 (Jan 2009) Product Brief Advance v0.8 Packaging Advance v0.7 | The "Reprogrammable Flash Technology" section was revised to add "250 MHz (1.5 V systems) and 160 MHz (1.2 V systems) System Performance." | I |
| | The note for AGLN030 in the "IGLOO nano Devices" table and "I/Os Per Package" table was revised to remove the statement regarding package compatibility with lower density nano devices. | II, II |
| | The "I/Os with Advanced I/O Standards" section was revised to add definitions for hot-swap and cold-sparing. | 1-8 |
| | The "UC81", "CS81", "QN48", and "QN68" pin tables for AGLN030 are new. | 4-5, 4-8, 4-17, 4-21 |
| | The "CS81" pin table for AGLN060 is new. | 4-9 |
| | The "CS81" and "VQ100" pin tables for AGLN060Z are new. | 4-10, 4-25 |
| | The "CS8" and "VQ100" pin tables for AGLN125Z are new. | 4-12, 4-27 |
| | The "CS81" and "VQ100" pin tables for AGLN250Z is new. | 4-14, 4-29 |
| Revision 7 (Apr 2009) Product Brief Advance v0.7 DC and Switching Characteristics Advance v0.3 | The -F speed grade is no longer offered for IGLOO nano devices and was removed from the datasheet. | N/A |
| Revision 6 (Mar 2009) Packaging Advance v0.6 | The "VQ100" pin table for AGLN030 is new. | 4-23 |
| Revision 5 (Feb 2009) Packaging Advance v0.5 | The "100-Pin QFN" section was removed. | N/A |
| Revision 4 (Feb 2009) Product Brief Advance v0.6 | The QN100 package was removed for all devices. | N/A |
| | "IGLOO nano Devices" table was updated to change the maximum user I/Os for AGLN030 from 81 to 77. | II |
| | The "Device Marking" section is new. | III |
| Revision 3 (Feb 2009) Product Brief Advance v0.5 Packaging Advance v0.4 | The following table note was removed from "IGLOO nano Devices" table: "Six chip (main) and three quadrant global networks are available for AGLN060 and above." | II |
| | The CS81 package was added for AGLN250 in the "IGLOO nano Products Available in the Z Feature Grade" table. | IV |
| | The "UC81" and "CS81" pin tables for AGLN020 are new. | 4-4, 4-7 |
| | The "CS81" pin table for AGLN250 is new. | 4-13 |

| Revision / Version | Changes | Page |
|--|---|------------|
| Revision 2 (Dec 2008) Product Brief Advance v0.4 | The second table note in "IGLOO nano Devices" table was revised to state, "AGLN060, AGLN125, and AGLN250 in the CS81 package do not support PLLs. AGLN030 and smaller devices do not support this feature." | II |
| | The I/Os per package for CS81 were revised to 60 for AGLN060, AGLN125, and AGLN250 in the "I/Os Per Package" table. | II |
| | The "UC36" pin table is new. | 4-2 |
| Packaging Advance v0.3 | | |
| Revision 1 (Nov 2008) Product Brief Advance v0.3 | The "Advanced I/Os" section was updated to include wide power supply voltage support for 1.14 V to 1.575 V. | I |
| | The AGLN030 device was added to product tables and replaces AGL030 entries that were formerly in the tables. | IV |
| | The "I/Os Per Package" table was updated for the CS81 package to change the number of I/Os for AGLN060, AGLN125, and AGLN250 from 66 to 64. | II |
| | The "Wide Range I/O Support" section is new. | 1-8 |
| | The table notes and references were revised in Table 2-2 • Recommended Operating Conditions 1. VMV was included with VCCI and a table note was added stating, "VMV pins must be connected to the corresponding VCCI pins. See Pin Descriptions for further information." Please review carefully. | 2-2 |
| | VJTAG was added to the list in the table note for Table 2-9 • Quiescent Supply Current (IDD) Characteristics, IGLOO nano Flash*Freeze Mode*. Values were added for AGLN010, AGLN015, and AGLN030 for 1.5 V. | 2-7 |
| | VCCI was removed from the list in the table note for Table 2-10 • Quiescent Supply Current (IDD) Characteristics, IGLOO nano Sleep Mode*. | 2-8 |
| | Values for I _{CCA} current were updated for AGLN010, AGLN015, and AGLN030 in Table 2-12 • Quiescent Supply Current (IDD), No IGLOO nano Flash*Freeze Mode1. | 2-8 |
| | Values for PAC1 and PAC2 were added to Table 2-15 • Different Components Contributing to Dynamic Power Consumption in IGLOO nano Devices and Table 2-17 • Different Components Contributing to Dynamic Power Consumption in IGLOO nano Devices. | 2-10, 2-11 |
| | Table notes regarding wide range support were added to Table 2-21 • Summary of Maximum and Minimum DC Input and Output Levels. | 2-19 |
| | 1.2 V LVCMOS wide range values were added to Table 2-22 • Summary of Maximum and Minimum DC Input Levels and Table 2-23 • Summary of AC Measuring Points. | 2-19, 2-20 |
| | The following table note was added to Table 2-25 • Summary of I/O Timing Characteristics—Software Default Settings and Table 2-26 • Summary of I/O Timing Characteristics—Software Default Settings: "All LVCMOS 3.3 V software macros support LVCMOS 3.3 V wide range, as specified in the JESD8-B specification." | 2-21 |
| 3.3 V LVCMOS Wide Range and 1.2 V Wide Range were added to Table 2-28 • I/O Output Buffer Maximum Resistances 1 and Table 2-30 • I/O Short Currents IOSH/IOSL. | 2-23, 2-24 | |

| Revision / Version | Changes | Page |
|--|---|-----------------|
| Revision 1 (cont'd) | The "QN48" pin diagram was revised. | 4-16 |
| Packaging Advance v0.2 | Note 2 for the "QN48", "QN68", and "100-Pin QFN" pin diagrams was changed to "The die attach paddle of the package is tied to ground (GND)." | 4-16, 4-19 |
| | The "VQ100" pin diagram was revised to move the pin IDs to the upper left corner instead of the upper right corner. | 4-23 |
| Revision 0 (Oct 2008) Product Brief Advance v0.2 | The following tables and sections were updated to add the UC81 and CS81 packages for AGL030: "IGLOO nano Devices" "I/Os Per Package" "IGLOO nano Products Available in the Z Feature Grade" "Temperature Grade Offerings" | N/A |
| | The "I/Os Per Package" table was updated to add the following information to table note 4: "For nano devices, the VQ100 package is offered in both leaded and RoHS-compliant versions. All other packages are RoHS-compliant only." | II |
| | The "IGLOO nano Products Available in the Z Feature Grade" section was updated to remove QN100 for AGLN250. | IV |
| | The device architecture figures, Figure 1-3 • IGLOO Device Architecture Overview with Two I/O Banks (AGLN060, AGLN125) through Figure 1-4 • IGLOO Device Architecture Overview with Four I/O Banks (AGLN250), were revised. Figure 1-1 • IGLOO Device Architecture Overview with Two I/O Banks and No RAM (AGLN010 and AGLN030) is new. | 1-4 through 1-5 |
| | The "PLL and CCC" section was revised to include information about CCC-GLs in AGLN020 and smaller devices. | 1-7 |
| | The "I/Os with Advanced I/O Standards" section was revised to add information about IGLOO nano devices supporting double-data-rate applications. | 1-8 |

Datasheet Categories

Categories

In order to provide the latest information to designers, some datasheet parameters are published before data has been fully characterized from silicon devices. The data provided for a given device, as highlighted in the "IGLOO nano Device Status" table on page II, is designated as either "Product Brief," "Advance," "Preliminary," or "Production." The definitions of these categories are as follows:

Product Brief

The product brief is a summarized version of a datasheet (advance or production) and contains general product information. This document gives an overview of specific device and family information.

Advance

This version contains initial estimated information based on simulation, other products, devices, or speed grades. This information can be used as estimates, but not for production. This label only applies to the DC and Switching Characteristics chapter of the datasheet and will only be used when the data has not been fully characterized.

Preliminary

The datasheet contains information based on simulation and/or initial characterization. The information is believed to be correct, but changes are possible.

Unmarked (production)

This version contains information that is considered to be final.

Export Administration Regulations (EAR)

The products described in this document are subject to the Export Administration Regulations (EAR). They could require an approved export license prior to export from the United States. An export includes release of product or disclosure of technology to a foreign national inside or outside the United States.

Safety Critical, Life Support, and High-Reliability Applications Policy

The Microsemi products described in this advance status document may not have completed Microsemi's qualification process. Microsemi may amend or enhance products during the product introduction and qualification process, resulting in changes in device functionality or performance. It is the responsibility of each customer to ensure the fitness of any Microsemi product (but especially a new product) for a particular purpose, including appropriateness for safety-critical, life-support, and other high-reliability applications. Consult Microsemi's Terms and Conditions for specific liability exclusions relating to life-support applications. A reliability report covering all of the Microsemi SoC Products Group's products is at http://www.microsemi.com/socdocuments/ORT_Report.pdf. Microsemi also offers a variety of enhanced qualification and lot acceptance screening procedures. Contact your local Microsemi sales office for additional reliability information.



Microsemi Corporate Headquarters
One Enterprise, Aliso Viejo CA 92656 USA
Within the USA: +1 (949) 380-6100
Sales: +1 (949) 380-6136
Fax: +1 (949) 215-4996

Microsemi Corporation (NASDAQ: MSCC) offers a comprehensive portfolio of semiconductor solutions for: aerospace, defense and security; enterprise and communications; and industrial and alternative energy markets. Products include high-performance, high-reliability analog and RF devices, mixed signal and RF integrated circuits, customizable SoCs, FPGAs, and complete subsystems. Microsemi is headquartered in Aliso Viejo, Calif. Learn more at www.microsemi.com.

© 2012 Microsemi Corporation. All rights reserved. Microsemi and the Microsemi logo are trademarks of Microsemi Corporation. All other trademarks and service marks are the property of their respective owners.

Компания «Океан Электроники» предлагает заключение долгосрочных отношений при поставках импортных электронных компонентов на взаимовыгодных условиях!

Наши преимущества:

- Поставка оригинальных импортных электронных компонентов напрямую с производств Америки, Европы и Азии, а так же с крупнейших складов мира;
- Широкая линейка поставок активных и пассивных импортных электронных компонентов (более 30 млн. наименований);
- Поставка сложных, дефицитных, либо снятых с производства позиций;
- Оперативные сроки поставки под заказ (от 5 рабочих дней);
- Экспресс доставка в любую точку России;
- Помощь Конструкторского Отдела и консультации квалифицированных инженеров;
- Техническая поддержка проекта, помощь в подборе аналогов, поставка прототипов;
- Поставка электронных компонентов под контролем ВП;
- Система менеджмента качества сертифицирована по Международному стандарту ISO 9001;
- При необходимости вся продукция военного и аэрокосмического назначения проходит испытания и сертификацию в лаборатории (по согласованию с заказчиком);
- Поставка специализированных компонентов военного и аэрокосмического уровня качества (Xilinx, Altera, Analog Devices, Intersil, Interpoint, Microsemi, Actel, Aeroflex, Peregrine, VPT, Syfer, Eurofarad, Texas Instruments, MS Kennedy, Miteq, Cobham, E2V, MA-COM, Hittite, Mini-Circuits, General Dynamics и др.);

Компания «Океан Электроники» является официальным дистрибьютором и эксклюзивным представителем в России одного из крупнейших производителей разъемов военного и аэрокосмического назначения «JONHON», а так же официальным дистрибьютором и эксклюзивным представителем в России производителя высокотехнологичных и надежных решений для передачи СВЧ сигналов «FORSTAR».



JONHON

«JONHON» (основан в 1970 г.)

Разъемы специального, военного и аэрокосмического назначения:

(Применяются в военной, авиационной, аэрокосмической, морской, железнодорожной, горно- и нефтедобывающей отраслях промышленности)

«FORSTAR» (основан в 1998 г.)

ВЧ соединители, коаксиальные кабели, кабельные сборки и микроволновые компоненты:

(Применяются в телекоммуникациях гражданского и специального назначения, в средствах связи, РЛС, а так же военной, авиационной и аэрокосмической отраслях промышленности).



Телефон: 8 (812) 309-75-97 (многоканальный)

Факс: 8 (812) 320-03-32

Электронная почта: ocean@oceanchips.ru

Web: <http://oceanchips.ru/>

Адрес: 198099, г. Санкт-Петербург, ул. Калинина, д. 2, корп. 4, лит. А