

## 16 V to 34 Vin, 12 V to 34 Vout, Cool-Power ZVS Buck-Boost Regulator

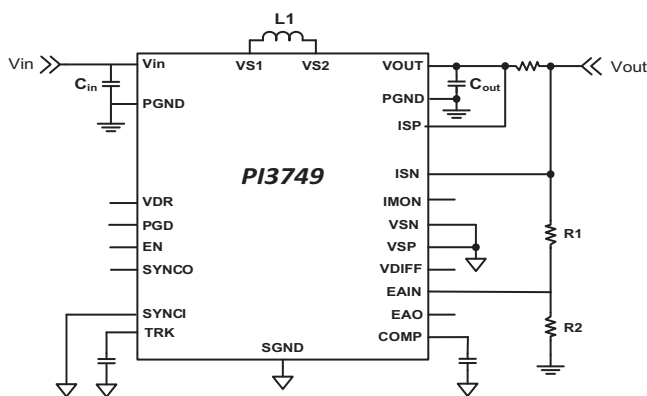
### Product Description

The PI3749-00 is high efficiency, wide range DC-DC ZVS Buck-Boost regulator. This high density System-in-Package (SiP) integrates controller, power switches, and support components. The integration of a high performance Zero-Voltage Switching (ZVS) topology, within the PI3749-00, increases point of load performance providing best in class power efficiency. The PI3749-00 requires an external inductor, resistive feedback divider and minimal capacitors to form a complete DC-DC switching mode buck-boost regulator.

The ZVS architecture also enables high frequency operation while minimizing switching losses and maximizing efficiency. The high switching frequency operation reduces the size of the external filtering components, improves power density, and enables very fast dynamic response to line and load transients.



### Typical Application



### Features

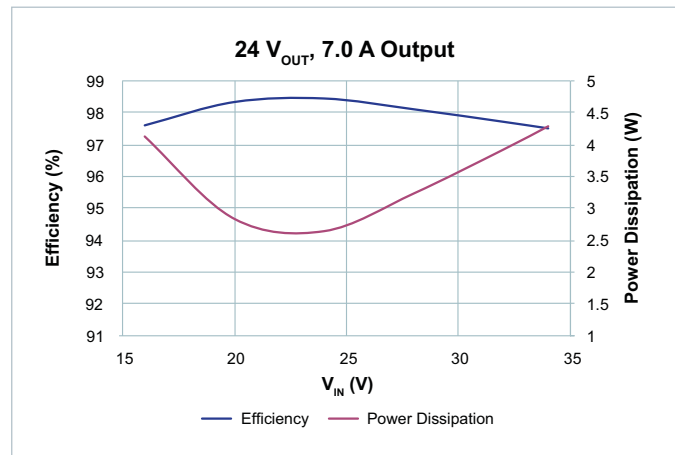
- Up to 98.5% efficiency at 800 kHz F<sub>SW</sub>
- Over 200 W of continuous output power (for specific conditions)
- Fast transient response
- Parallel capable with single wire current sharing
- External frequency synchronization / interleaving
- High Side Current Sense Amplifier
- General Purpose Amplifier
- Input Over/Under Voltage Lockout (OVLO/UVLO)
- Output Overvoltage Protection (OVP)
- Over Temperature Protection (OTP)
- Fast and slow current limits
- -40°C to 115°C operating range (T<sub>J</sub>)
- Excellent light load efficiency

### Applications

- Computing, Communications, Industrial
- Variable output step up/down voltage regulation

### Package Information

- 10 mm x 14 mm x 2.56 mm LGA SiP



## Contents

Contents	Page
Order Information	3
Absolute Maximum Ratings	3
Pin Description	4
Package Pin-Out	5
Large Pin Blocks	5
Storage and Handling Information	6
Block Diagram	6
Electrical Characteristics	7
Performance Characteristics	10
Efficiency & Power Loss	12
Safe Operating Area	13
Thermal De-Rating	14
MTBF	15
Functional Description	16
Enable	16
Switching Frequency Synchronization	16
Soft-Start and Tracking	16
Remote Sensing Differential Amplifier	16
Fault Pin	16
Output Current Limit Protection	16
Input Under-Voltage Lockout	16
Input Over-Voltage Lockout	16
Output Over Voltage Protection	16
Over Temperature Protection	17
Pulse Skip Mode (PSM)	17
Variable Frequency Operation	17
IMON Amplifier	17

Contents	Page
Applications Information	18
Input / Output Range Limitation	18
Output Voltage Trim	18
Soft-Start Adjustment and Tracking	18
Inductor Pairing	18
Thermal De-rating	18
Filter Considerations	18
Parallel Operation	19
Package Drawings	21
Receiving PCB Pattern Design Recommendations	22
Revision History	23
Warranty	24

## Order Information

Part Number	Description	Package	Transport Media	MFG
PI3749-00-LGIZ	16 Vin to 34 Vin SiP	10 mm x 14 mm 108-pin LGA	TRAY	Picor

## Absolute Maximum Ratings

**Note:** Stresses beyond these limits may cause permanent damage to the device. Operation at these conditions or conditions beyond those listed in the Electrical Specifications table is not guaranteed. All voltage nodes are referenced to PGND unless otherwise noted.

Location	Name	V <sub>MAX</sub>	V <sub>MIN</sub>	I <sub>SOURCE</sub>	I <sub>SINK</sub>
1-2,G-K	VIN	36 V	-0.3 V	40 A <sup>[1]</sup>	40 A <sup>[1]</sup>
4-5,G-K	VS1	36 V	-0.7 V DC	40 A <sup>[1]</sup>	18 A <sup>[1]</sup>
10-11,G-K	VS2	36 V	-0.7 V DC	40 A <sup>[1]</sup>	18 A <sup>[1]</sup>
13-14,G-K	VOUT	36 V	-0.7 V DC	40 A <sup>[1]</sup>	40 A <sup>[1]</sup>
1E	VDR	5.5 V	-0.3 V	30 mA	200 mA
1D	PGD	5.5 V	-0.3 V	20 mA	20 mA
1C	SYNCO	5.5 V	-0.3 V	5 mA	5 mA
1B	SYNCI	5.5 V	-0.3 V	5 mA	5 mA
1A	TEST1	5.5 V	-0.3 V	5 mA	5 mA
2A	TEST2	5.5 V	-0.3 V	5 mA	5 mA
3A	TEST3	5.5 V	-0.3 V	5 mA	5 mA
4A	TEST4	5.5 V	-0.3 V	10 mA	10 mA
5A	EN	5.5 V	-0.3 V	5 mA	5 mA
6A	TRK	5.5 V	-0.3 V	50 mA	50 mA
7A	TEST5	5.5 V	-0.3 V	5 mA	5 mA
8A	COMP	5.5 V	-0.3 V	5 mA	5 mA
9A	VSN	5.5 V	-1.5 V	5 mA	5 mA
10A	VSP	5.5 V	-1.5 V	5 mA	5 mA
11A	VDIFF	5.5 V	-0.5 V	5 mA	5 mA
12A	EAIN	5.5 V	-0.3 V	5 mA	5 mA
13A	EAO	5.5 V	-0.3 V	5 mA	5 mA
14A	IMON	5.5 V	-0.3 V	5 mA	5 mA
14D	ISN <sup>[2]</sup>	40 V	-2 V DC	5 mA	5 mA
14E	ISP <sup>[2]</sup>	40 V	-2 V DC	5 mA	5 mA
10-14,B + 10-12,C-E	SGND	0.3 V	-0.3 V	200 mA	200 mA
2-9,B-E + 7-8,F-K	PGND	N/A	N/A	18 A <sup>[1]</sup>	18 A <sup>[1]</sup>

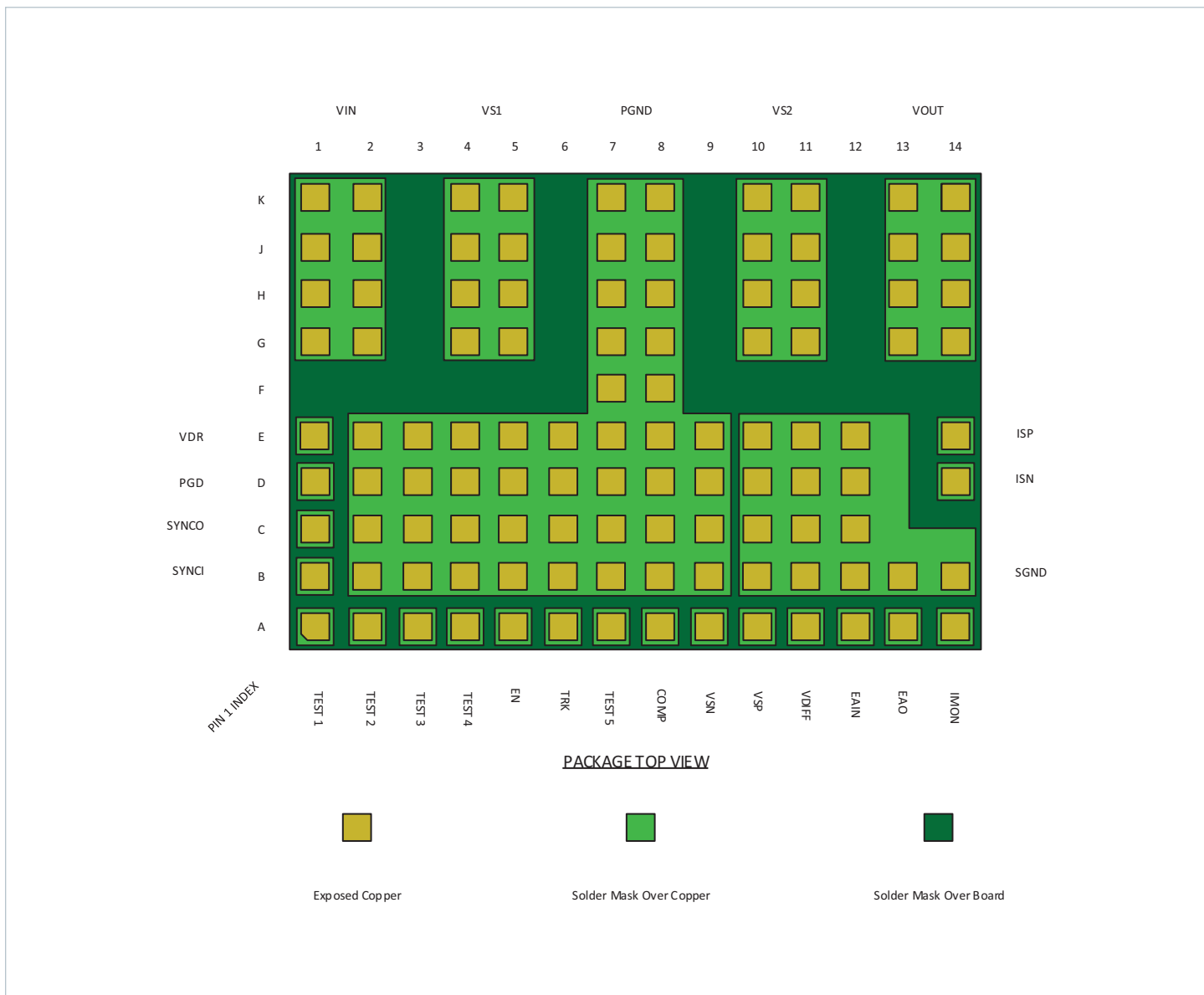
<sup>[1]</sup> Non-Operating Test Mode Limits.

<sup>[2]</sup> The ISP pin to ISN pin has a maximum differential limit of +5.5 VDC and -0.5 VDC.

## Pin Description

Pin Number	Pin Name	Description
1-2,G-K	VIN	Input voltage and sense node for UVLO, OVLO and feed forward compensation.
4-5,G-K	VS1	Input side switching node and ZVS sense node for power switches.
10-11,G-K	VS2	Output side switching node and ZVS sense node for power switches.
13-14,G-K	VOUT	Output voltage and sense node for power switches, V <sub>OUT</sub> feed forward compensation, V <sub>OUT_ov</sub> and internal signals.
1E	VDR	Internal 5.1 V supply for gate drivers and internal logic; not for external use.
1D	PGD	Fault & Power Good indicator. PGD pulls low when the regulator is not operating or if EAIN is less than 1.4 V.
1C	SYNCO	Synchronization output. Outputs a high signal for ½ of the programmed switching period at the beginning of each switching cycle, for synchronization of other regulators.
1B	SYNCI	Synchronization input. When a falling edge synchronization pulse is detected, the PI3749-00 will delay the start of the next switching cycle until the next falling edge sync pulse arrives, up to a maximum delay of two times the programmed switching period. If the next pulse does not arrive within two times the programmed switching period, the controller will leave sync mode and start a switching cycle automatically. Connect to SGND when not in use.
1A	TEST1	For factory use only. Connect to SGND or leave floating in application.
2A	TEST2	For factory use only. Connect to SGND or leave floating in application.
3A	TEST3	For factory use only. Connect to SGND in application.
4A	TEST4	For factory use only. Connect to SGND in application.
5A	EN	Regulator Enable control. Asserted high or left floating = regulator enabled; Asserted low, regulator output disabled.
6A	TRK	Soft-start and track input. An external capacitor may be connected between TRK pin and SGND to decrease the rate of output rise during soft-start.
7A	TEST5	For factory use only. Connect to SGND in application.
8A	COMP	Error amp compensation dominant pole. Connect a capacitor between COMP and SGND to set the control loop dominant pole.
9A	VSN	General purpose amplifier inverting input
10A	VSP	General purpose amplifier non-inverting input
11A	VDIFF	General purpose amplifier output
12A	EAIN	Error amplifier inverting input and sense for PGD. Connect by resistive divider to the output.
13A	EAO	Transconductance error amplifier output, PWM input and external connection for load sharing. Connect a capacitor between EAO and SGND to set the control loop high frequency pole.
14A	IMON	High side current sense amplifier output
14D	ISN	High side current sense amplifier negative input
14E	ISP	High side current sense amplifier positive input
10-14,B + 10-12,C-E	SGND	Signal ground. Internal logic and analog ground for the regulator. SGND and PGND are star connected within the regulator package.
2-9,B-E + 7-8,F-K	PGND	Power ground. VIN, VOUT, VS1 and VS2 power returns. SGND and PGND are star connected within the regulator package.

Package Pin-Out



Large Pin Blocks

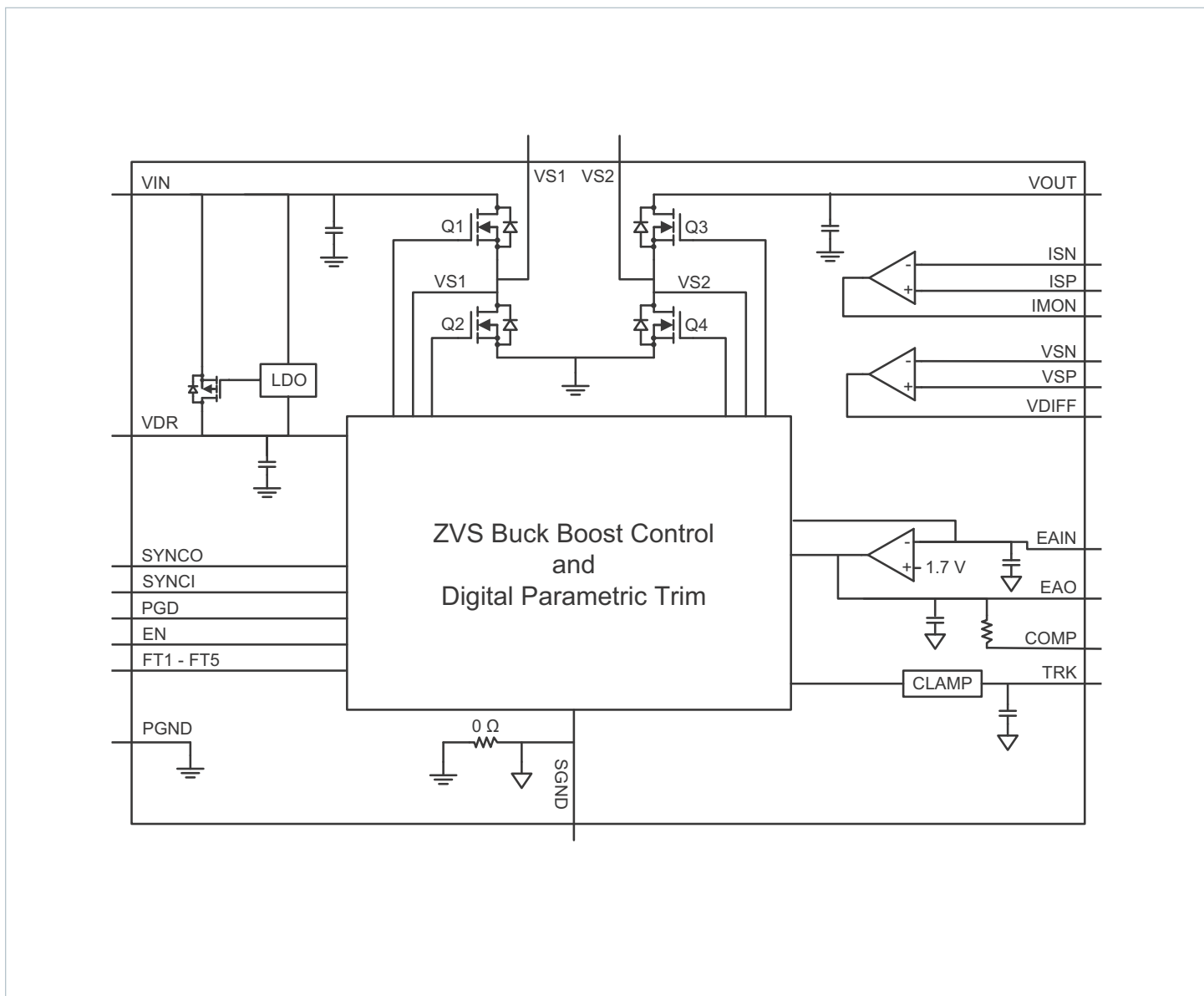
Pin Block Name	Group of pins
VIN	K1-2, J1-2, H1-2, G1-2
VS1	K4-5, J4-5, H4-5, G4-5
PGND	K7-8, J7-8, H7-8, G7-8, F7-8, E2-9, D2-9, C2-9, B2-9
VS2	K10-11, J10-11, H10-11, G10-11
VOUT	K13-14, J13-14, H13-14, G13-14
SGND	E10-12, D10-12, C10-12, B10-14

Storage and Handling Information

Maximum Storage Temperature Range	-65°C to 150°C
Maximum Operating Junction Temperature Range	-40°C to 115°C
Soldering Temperature for 20 seconds	245°C
MSL Rating	3
ESD Rating <sup>[3]</sup>	500 V HBM; 1.0 kV CDM

<sup>[3]</sup> JESD22-C101F, JESD22-A114F.

Block Diagram



## Electrical Characteristics

Specifications apply for the conditions  $-40^{\circ}\text{C} < T_J < 115^{\circ}\text{C}$ ,  $V_{\text{IN}} = 16\text{ V} - 34\text{ V}$ ,  $V_{\text{OUT}} = 24\text{ V}$ ,  $L_{\text{EXT}} = 480\text{ nH}^{[4]}$ , external  $C_{\text{IN}} = C_{\text{OUT}} = 20\text{ }\mu\text{F}$ , unless otherwise noted.

Parameter	Symbol	Conditions	Min	Typ	Max	Unit
<b>Input Specifications</b>						
Input Voltage	$V_{\text{IN\_DC}}$		16	24	34	V
Input Current	$I_{\text{IN\_DC}}$	$I_{\text{OUT}} = 4\text{ A}$ , $V_{\text{IN}} = 24\text{ V}$ , $V_{\text{OUT}} = 24\text{ V}$ , $T_{\text{CASE}} = 25^{\circ}\text{C}$		4.06		A
Input Current	$I_{\text{IN\_DC}}$	$I_{\text{OUT}} = 7.0\text{ A}$ , $V_{\text{IN}} = 16\text{ V}$ , $V_{\text{OUT}} = 24\text{ V}$ , $T_{\text{CASE}} = 25^{\circ}\text{C}$		10.8		A
Input Current During Output Short (fault condition duty cycle)	$I_{\text{IN\_SHORT}}$	[5]		2.5		mA
Input Quiescent Current	$I_{\text{Q\_VIN}}$	Enabled (no load)		6.6		mA
Input Voltage Slew Rate	$V_{\text{IN\_SR}}$	[5]			1	V/ $\mu\text{s}$
Internal Input Capacitance	$C_{\text{IN}}$	50 V, X7R type $25^{\circ}\text{C}$ , $V_{\text{OUT}} = 0\text{ V}$		2		$\mu\text{F}$
$V_{\text{IN}}$ UVLO threshold rising	$V_{\text{IN\_UVLO\_START}}$		13.0	14.1	15.0	V
$V_{\text{IN}}$ UVLO hysteresis	$V_{\text{IN\_UVLO\_HYS}}$			0.7		V
$V_{\text{IN}}$ OVLO threshold rising	$V_{\text{IN\_OVLO\_START}}$		35.2	37.4	39.5	V
$V_{\text{IN}}$ OVLO hysteresis	$V_{\text{IN\_OVLO\_HYS}}$			0.75		V
<b>Output Specifications</b>						
Output Voltage Range	$V_{\text{OUT\_DC}}$	$V_{\text{IN}} = 16\text{ V to }34\text{ V}$	12		29	V
		$V_{\text{IN}} = 24\text{ V to }34\text{ V}$	12		34	
Output Current Range	$I_{\text{OUT\_DCR}}$	[6]	0		max	A
Output Current Steady State	$I_{\text{OUT\_DC}}$	$V_{\text{IN}} = 24\text{ V}$ , $V_{\text{OUT}} = 24\text{ V}$ , $T_{\text{CASE}} = 25^{\circ}\text{C}^{[6]}$	6.8			A
		$V_{\text{IN}} = 16\text{ V}$ , $V_{\text{OUT}} = 24\text{ V}$ , $T_{\text{CASE}} = 25^{\circ}\text{C}^{[6]}$	7.2			
		$V_{\text{IN}} = 24\text{ V}$ , $V_{\text{OUT}} = 12\text{ V}$ , $T_{\text{CASE}} = 25^{\circ}\text{C}^{[6]}$	10			
Output Power Steady State	$P_{\text{OUT\_DC}}$	$V_{\text{IN}} = 24\text{ V}$ , $V_{\text{OUT}} = 24\text{ V}$ , $T_{\text{CASE}} = 25^{\circ}\text{C}^{[6]}$	163.2			W
		$V_{\text{IN}} = 16\text{ V}$ , $V_{\text{OUT}} = 24\text{ V}$ , $T_{\text{CASE}} = 25^{\circ}\text{C}^{[6]}$	172.8			
		$V_{\text{IN}} = 24\text{ V}$ , $V_{\text{OUT}} = 12\text{ V}$ , $T_{\text{CASE}} = 25^{\circ}\text{C}^{[6]}$	120			
Output Ripple	$V_{\text{OUT\_AC}}$	$I_{\text{OUT}} = 4\text{ A}$ , $V_{\text{IN}} = 24\text{ V}$ , $V_{\text{OUT}} = 16\text{ V}$ , $T_{\text{CASE}} = 25^{\circ}\text{C}$ $C_{\text{OUT\_EX}} = 8 \times 10\text{ }\mu\text{F}$ , 50 V, X7S, 20 MHz BW		137		mVp-p
Internal Output Capacitance	$C_{\text{OUT}}$	50 V, X7R type $25^{\circ}\text{C}$ , $V_{\text{OUT}} = 0\text{ V}$		1		$\mu\text{F}$
$V_{\text{OUT}}$ Over Voltage Threshold	$V_{\text{OUT\_OVT}}$	Rising $V_{\text{OUT}}$ threshold to detect open loop	35.2	37.4	39.5	V
<b>Current Sense Amplifier (Dedicated to monitor Input or Output current)</b>						
ISP Pin Bias Current (Sink)		$V_{\text{OUT}} = 10\text{ V}$ , Flows to SGND	90	150	260	$\mu\text{A}$
ISN Pin Bias Current		$V_{\text{OUT}} = 10\text{ V}$		0		$\mu\text{A}$
Common Mode Input Range			8		36	V
IMON Source Current			1	1.8	3	mA
IMON Sink Current			1	1.6	2.6	mA
IMON Output At No Load			0		10	mV
Full Scale Error		40 mV input	-4		4	%
Bandwidth		[5]		40		kHz
Settling Time For Full Scale Step		1%		20		$\mu\text{s}$
Gain	$A_{\text{V\_CS}}$			20		V/V

## Electrical Characteristics (Cont.)

Specifications apply for the conditions  $-40^{\circ}\text{C} < T_J < 115^{\circ}\text{C}$ ,  $V_{\text{IN}} = 16\text{ V} - 34\text{ V}$ ,  $V_{\text{OUT}} = 24\text{ V}$ ,  $L_{\text{EXT}} = 480\text{ nH}^{[4]}$ , external  $C_{\text{IN}} = C_{\text{OUT}} = 20\text{ }\mu\text{F}$ , unless otherwise noted.

Parameter	Symbol	Conditions	Min	Typ	Max	Unit
<b>General Purpose Amplifier</b>						
Open Loop Gain		[5]	96	120	140	dB
Small Signal Gain-Bandwidth		[5]	5	7	12	MHz
Offset			-1	0.2	1	mV
Common Mode Input Range			-0.1		2.5	V
Differential Mode Input Range					2	V
Maximum Output Voltage		IDIFF = -1 mA			$V_{\text{DR}} - 0.2\text{ V}$	V
Minimum Output Voltage		No Load			20	mV
Capacitive Load for Stable Operation		[5]	0		100	pF
Slew Rate				10		V/ $\mu\text{s}$
Output Current			-1		1	mA
<b>Transconductance Error Amplifier</b>						
Reference		EAIN = EAO	1.667	1.7	1.734	V
Input Range	$V_{\text{EAIN}}$	Note $V_{\text{EAIN\_OV}}$ below	0		$V_{\text{DR}}$	V
Maximum Output Voltage			3.45		4.0	V
Minimum Output Voltage				0	0.1	V
Transconductance		Factory Set		7.6		mS
Zero Resistor		Factory Set		7.0		k $\Omega$
EAO Output Current Sourcing		$V_{\text{EAO}} = 50\text{ mV}$ , $V_{\text{EAIN}} = 0\text{ V}$		400		$\mu\text{A}$
EAO Output Current Sinking		$V_{\text{EAO}} = 2\text{ V}$ , $V_{\text{EAIN}} = 5\text{ V}$		400		$\mu\text{A}$
Open Loop Gain		$R_{\text{OUT}} > 1\text{ M}\Omega$ [5]	70	80		dB
<b>Control and Protection</b>						
Switching Frequency	$F_{\text{SW}}$	$V_{\text{IN}} = V_{\text{OUT}} = 24\text{ V}$ $I_{\text{OUT}} = 2\text{ A}$		800		kHz
Switching Frequency	$F_{\text{SW}}$	$V_{\text{IN}} = 16\text{ V}$ , $V_{\text{OUT}} = 12\text{ V}$ $I_{\text{OUT}} = 7\text{ A}$		480		kHz
$V_{\text{EAO}}$ Pulse Skip Threshold	$V_{\text{EAO\_PST}}$	$V_{\text{EAO}}$ to SGND		0.6		V
Control Node Range	$V_{\text{RAMP}}$		0		3.3	V
$V_{\text{EAO}}$ Overload Threshold	$V_{\text{EAO\_OL}}$	$V_{\text{EAO}}$ to SGND	3.2		3.4	V
Overload Timeout	$T_{\text{OL}}$	$V_{\text{EAO}} > V_{\text{EAO\_OL}}$		1		msec
Vout Slow Current Limit	$V_{\text{OUT\_SCL}}$	10 $\mu\text{s}$ time constant		18		A
$V_{\text{EAIN}}$ Output Over Voltage Threshold	$V_{\text{EAIN\_OV}}$	$V_{\text{EAIN}} > V_{\text{EAIN\_OV}}$		2.04		V
Overtemperature Fault Threshold	$T_{\text{OTP}}$	[5]	125	129		$^{\circ}\text{C}$
Overtemperature Restart Hysteresis	$T_{\text{OPT\_HYS}}$	[5]		30		$^{\circ}\text{C}$
Vout Negative Fault Threshold			-0.35	-0.25	-0.15	V



## Electrical Characteristics (Cont.)

Specifications apply for the conditions  $-40^{\circ}\text{C} < T_J < 115^{\circ}\text{C}$ ,  $V_{\text{IN}} = 16\text{ V} - 34\text{ V}$ ,  $V_{\text{OUT}} = 24\text{ V}$ ,  $L_{\text{EXT}} = 480\text{ nH}^{[4]}$ , external  $C_{\text{IN}} = C_{\text{OUT}} = 20\text{ }\mu\text{F}$ , unless otherwise noted.

Parameter	Symbol	Conditions	Min	Typ	Max	Unit
<b>Soft Start and Tracking Function</b>						
TRK Active Range		Nominal	0		1.7	V
TRK Disable Threshold			20	40	70	mV
TRK Internal Capacitance				.047		$\mu\text{F}$
Soft Start Charge Current			30	50	70	$\mu\text{A}$
Soft Start Discharge Current		$V_{\text{TRK}} = 0.5\text{ V}$		8.5		mA
Soft Start Time	$t_{\text{SS}}$	Ext $C_{\text{SS}} = 0\text{ }\mu\text{F}$		1.6		msec
<b>Enable</b>						
Enable High Threshold	$\text{EN}_{\text{IH}}$		0.9	1	1.1	V
Enable Low Threshold	$\text{EN}_{\text{IL}}$		0.7	0.8	0.9	V
Enable Threshold Hysteresis	$\text{EN}_{\text{HYS}}$		100	200	300	mV
Enable Pin Bias Current		$V_{\text{EN}} = 0\text{ V}$ or $V_{\text{EN}} = 2\text{ V}$		-50		$\mu\text{A}$
Enable Pull-up Voltage		Floating		2.0		V
Fault Restart Delay Time	$t_{\text{FR\_DLY}}$			30		msec
<b>Digital Signals</b>						
SYNCl Threshold Rising		$V_{\text{DR}} = 5.1\text{ V}$		3.1		V
SYNCl Threshold Falling		$V_{\text{DR}} = 5.1\text{ V}$		2.2		V
SYNCO High	$\text{SYNCO}_{\text{OH}}$		$V_{\text{DR}} - 0.5$		$V_{\text{DR}}$	V
SYNCO Low	$\text{SYNCO}_{\text{OL}}$	$I_{\text{SYNCO}_{\text{OUT}}} = 1\text{ mA}$			0.5	V
PGD High Leakage	$\text{PGD}_{\text{ILH}}$	$V_{\text{PGD}} = V_{\text{DR}}$			10	$\mu\text{A}$
PGD Output Low	$\text{PGD}_{\text{OL}}$	$I_{\text{PGD}} = 4\text{ mA}$			0.4	V
PGD EAIN Low Rise			1.41	1.45	1.48	V
PGD EAIN Low Fall			1.36	1.41	1.46	V
PGD EAIN Threshold Hysteresis				35		mV
PGD EAIN High			1.94	2.04	2.14	V

<sup>[4]</sup> See Inductor Pairing section.

<sup>[5]</sup> Assured to meet performance specification by design, test correlation, characterization, and/or statistical process control.

<sup>[6]</sup> Output current capability varies with input & output voltage. See performance curves.

Performance Characteristics TA = 25°C

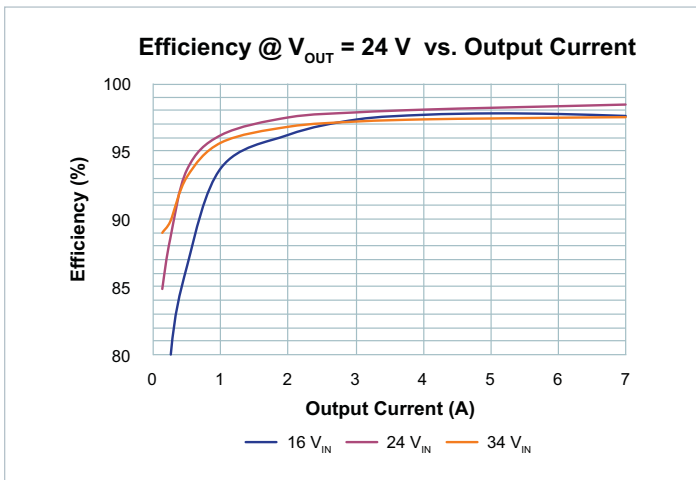


Figure 1 — 24 V<sub>OUT</sub> Efficiency

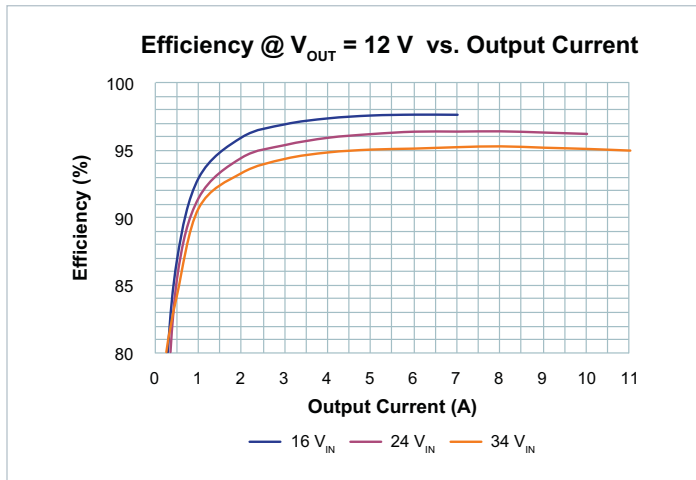


Figure 2 — 12 V<sub>OUT</sub> Efficiency

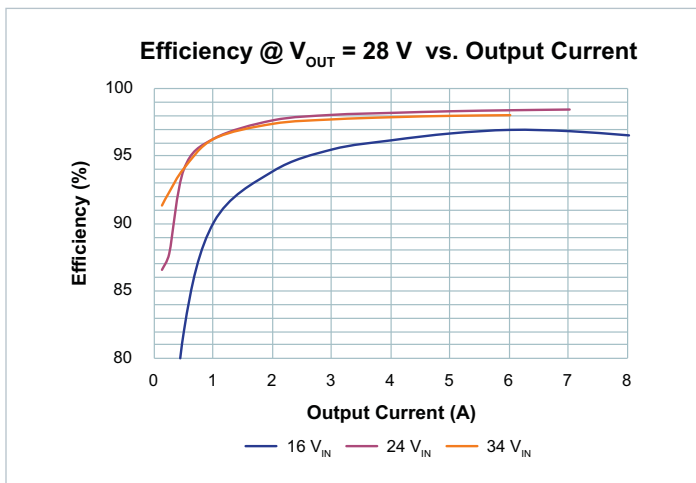


Figure 3 — 28 V<sub>OUT</sub> Efficiency

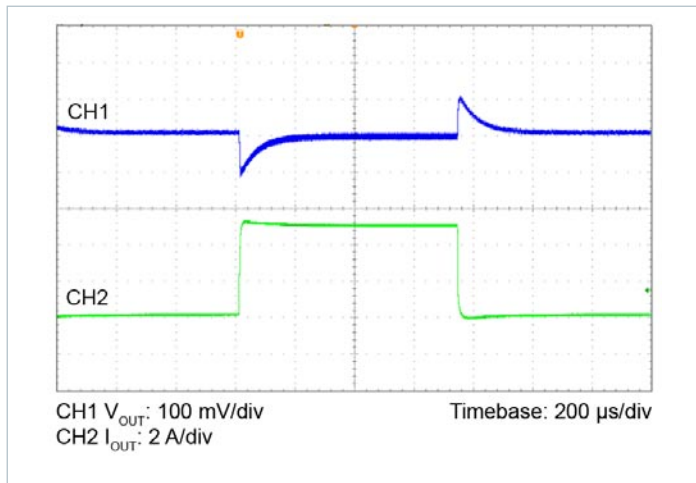


Figure 4 — 34 V<sub>IN</sub> to 12 V<sub>OUT</sub>, C<sub>OUT</sub> = 8 x 10 μF Ceramic  
5.0 A Load Step at 5 A/μs

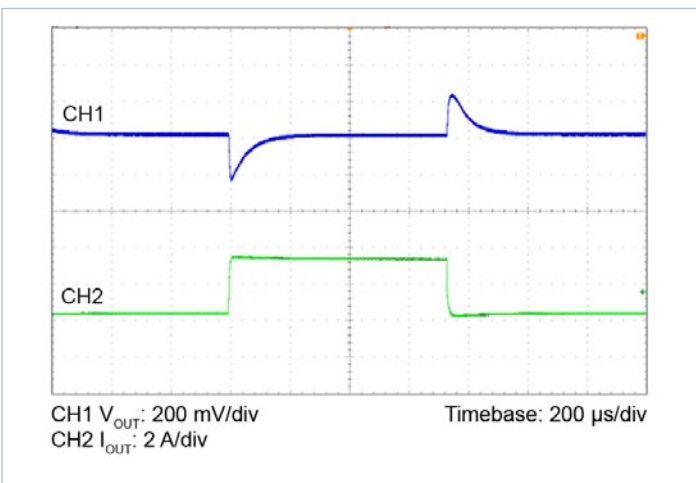


Figure 5 — 24 V<sub>IN</sub> to 24 V<sub>OUT</sub>, C<sub>OUT</sub> = 8 x 10 μF Ceramic  
3.0 A Load Step at 5 A/μs

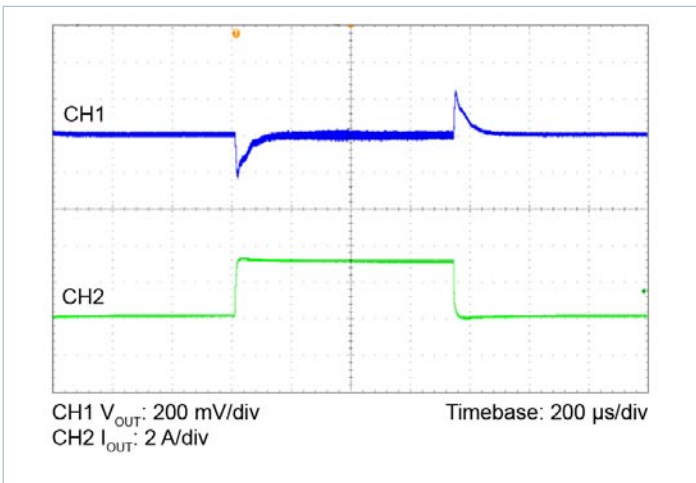


Figure 6 — 16 V<sub>IN</sub> to 28 V<sub>OUT</sub>, C<sub>OUT</sub> = 8 x 10 μF Ceramic  
3.0 A Load Step at 5 A/μs

Performance Characteristics TA = 25°C (Cont.)

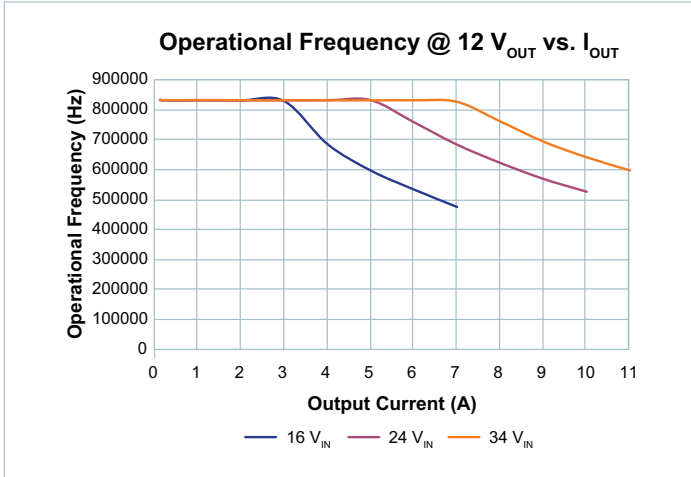


Figure 7 — Switching Frequency vs. Output Current @ 12 V<sub>OUT</sub>

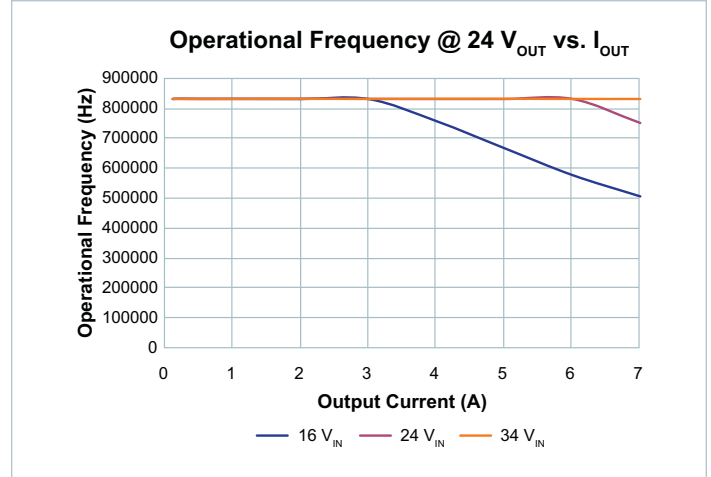


Figure 8 — Switching Frequency vs. Output Current @ 24 V<sub>OUT</sub>

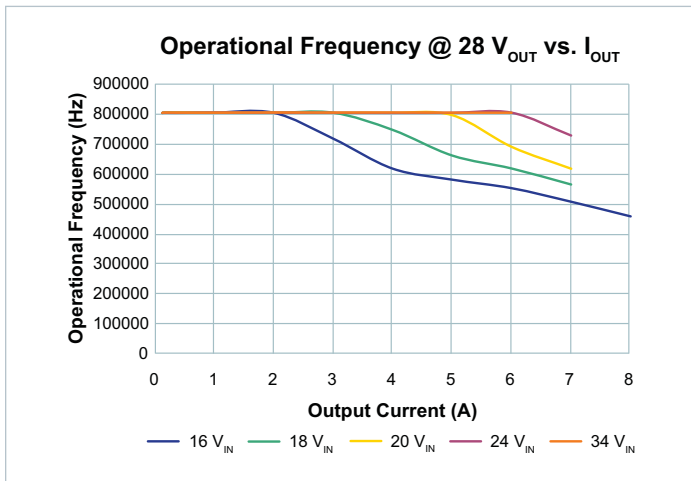


Figure 9 — Switching Frequency vs. Output Current @ 28 V<sub>OUT</sub>

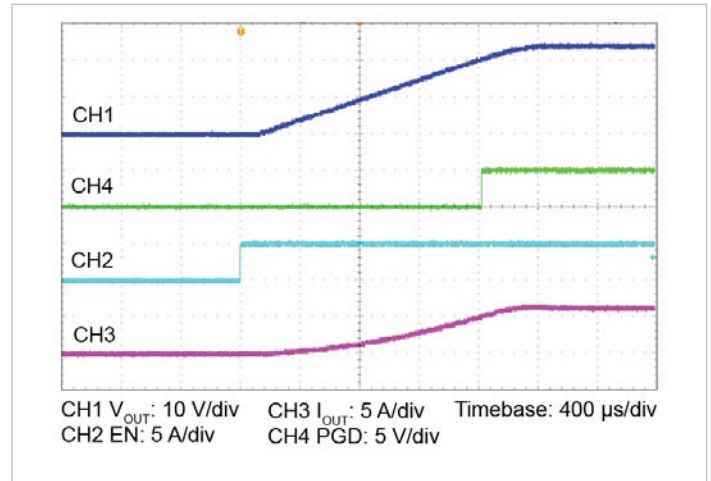


Figure 10 — Start-up with 24 V<sub>IN</sub> to 24 V<sub>OUT</sub> at 5 A

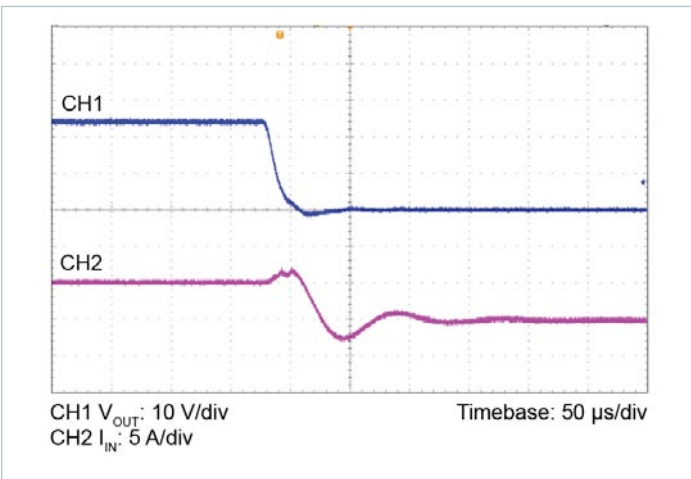


Figure 11 — Short Circuit with 24 V<sub>IN</sub> to 24 V<sub>OUT</sub> at 5 A

Efficiency & Power Loss  $T_A = 25^\circ\text{C}$  [7]

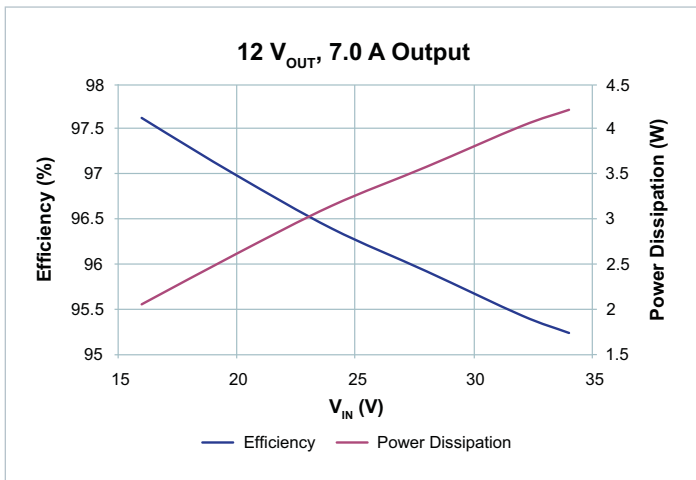


Figure 12 — 12 V<sub>OUT</sub> Efficiency and Power Dissipation at 7 A over input Voltage Range

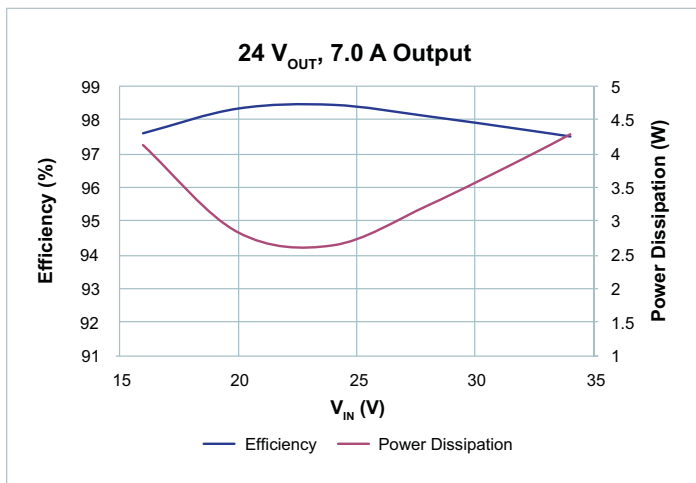


Figure 13 — 24 V<sub>OUT</sub> Efficiency and Power Dissipation at 7 A over input Voltage Range

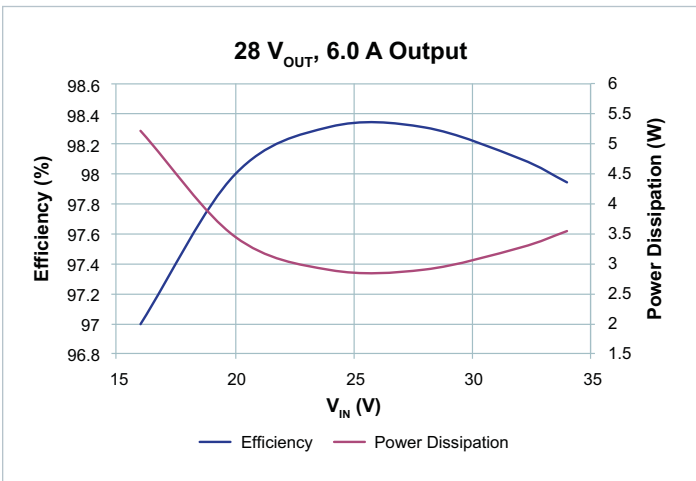


Figure 14 — 28 V<sub>OUT</sub> Efficiency and Power Dissipation at 6 A over input Voltage Range

Safe Operating Area  $T_A = 25^\circ\text{C}$  [7]

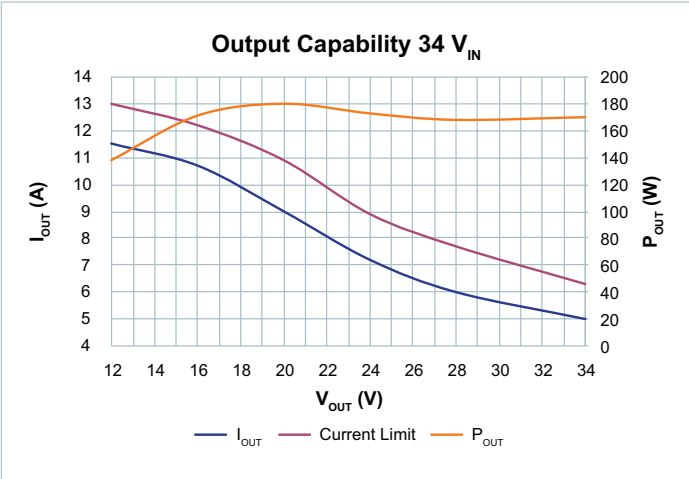


Figure 15 — Power and current output at 34 V<sub>IN</sub>

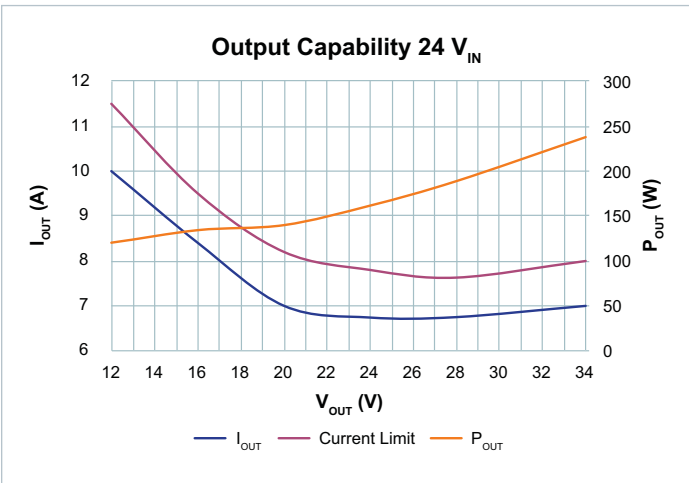


Figure 16 — Power and current output at 24 V<sub>IN</sub>

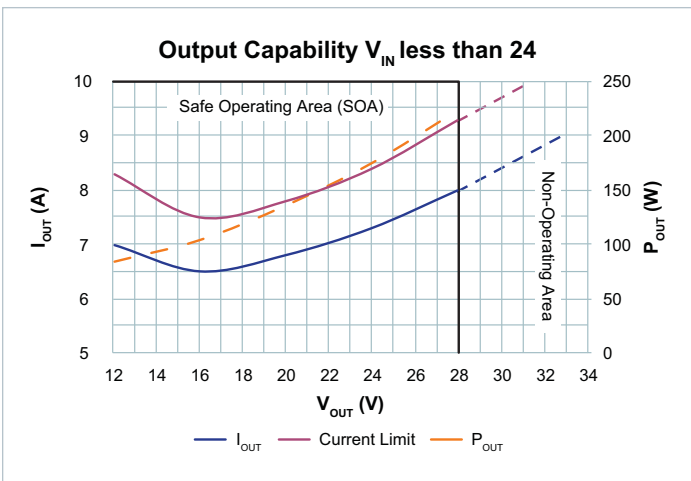


Figure 17 — Power and current output at V<sub>IN</sub> less than 24

Thermal De-Rating [7]

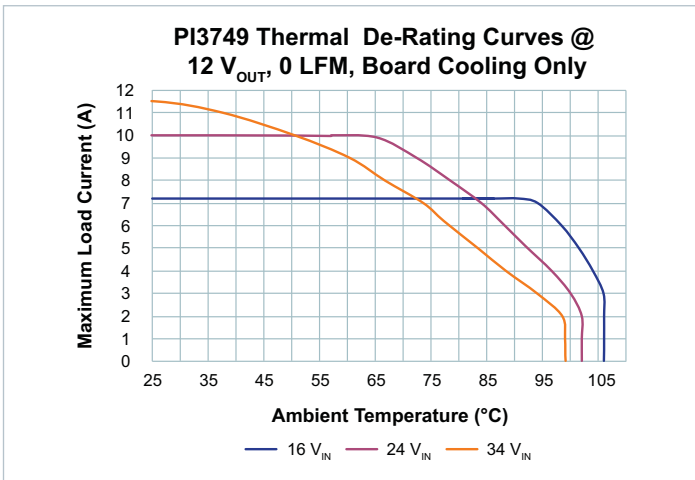


Figure 18 — Thermal de-rating @  $V_{OUT} = 12\text{ V}$

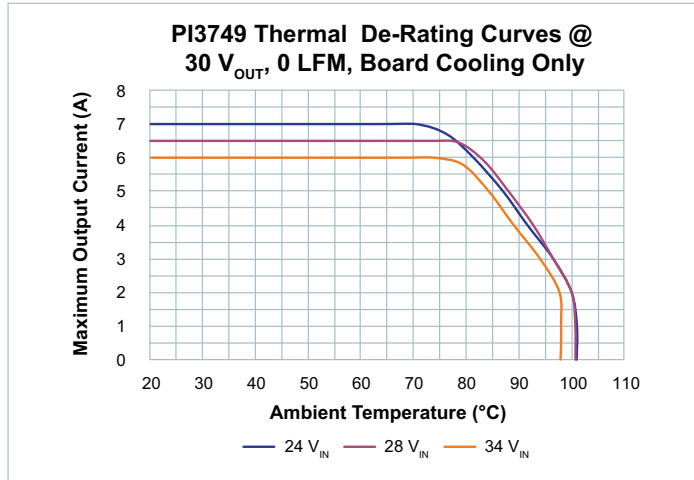


Figure 21 — Thermal de-rating @  $V_{OUT} = 30\text{ V}$  with Limited Input Range ( $24\text{ V}_{IN}$  to  $34\text{ V}_{IN}$ )

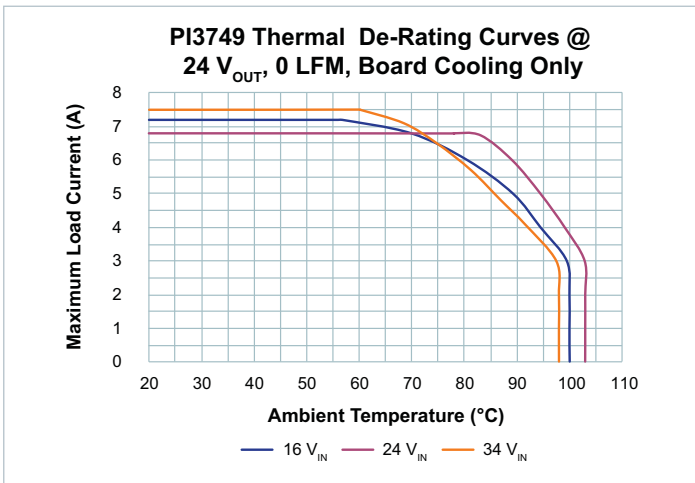


Figure 19 — Thermal de-rating @  $V_{OUT} = 24\text{ V}$

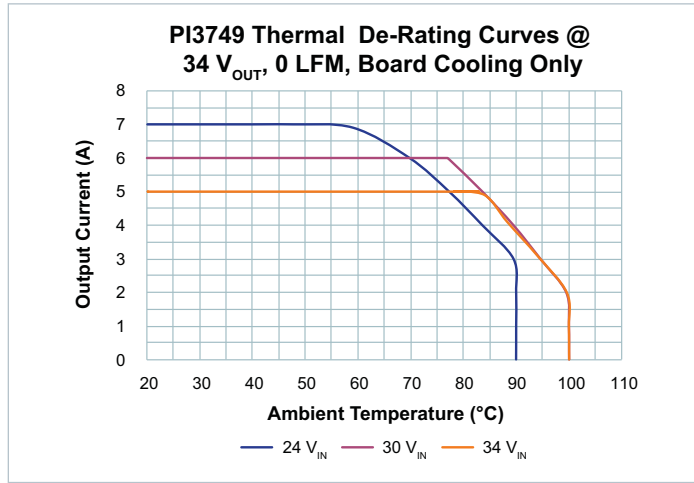


Figure 22 — Thermal de-rating @  $V_{OUT} = 34\text{ V}$  with Limited Input Range ( $24\text{ V}_{IN}$  to  $34\text{ V}_{IN}$ )

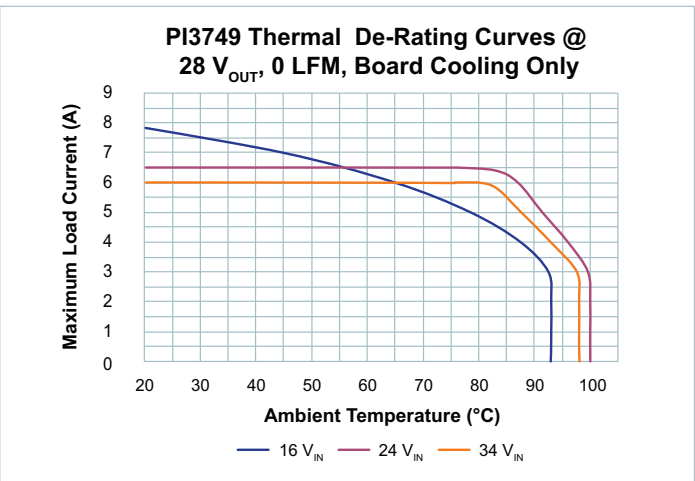


Figure 20 — Thermal de-rating @  $V_{OUT} = 28\text{ V}$

[7] Note: Testing was performed using a 3 in. x 3 in., four 2 oz. copper layers, FR4 evaluation board platform.

MTBF

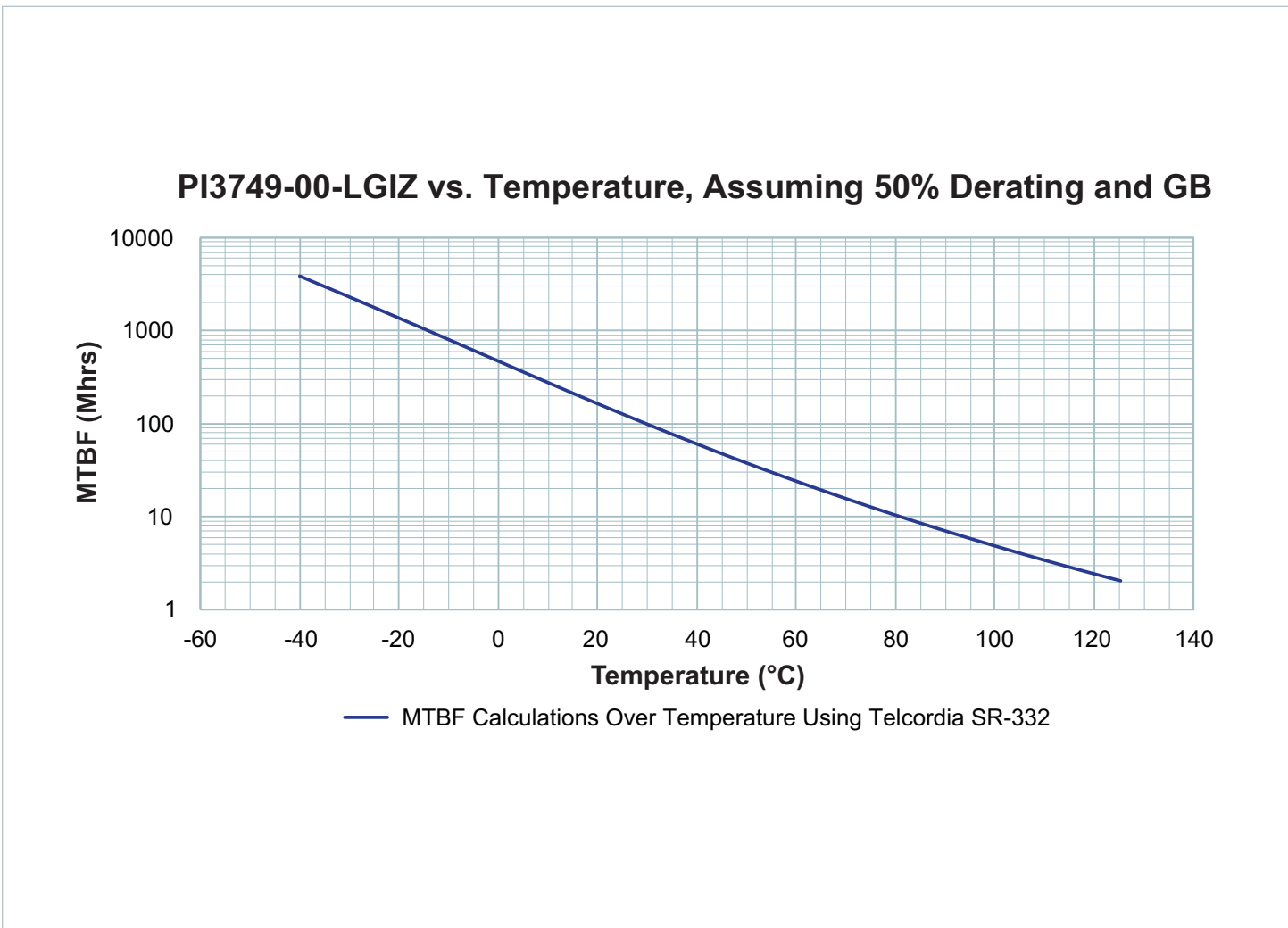


Figure 23 — PI3749-00 calculated MTBF Telcordia SR-332 GB

## Functional Description

The PI3749-00 is part of a family of highly integrated ZVS Buck-Boost regulators. The PI3749-00 has a variable output voltage that is set with a resistive divider. Performance and maximum output current are characterized with a specific external power inductor as defined in electrical specifications, with Inductor Pairing section.

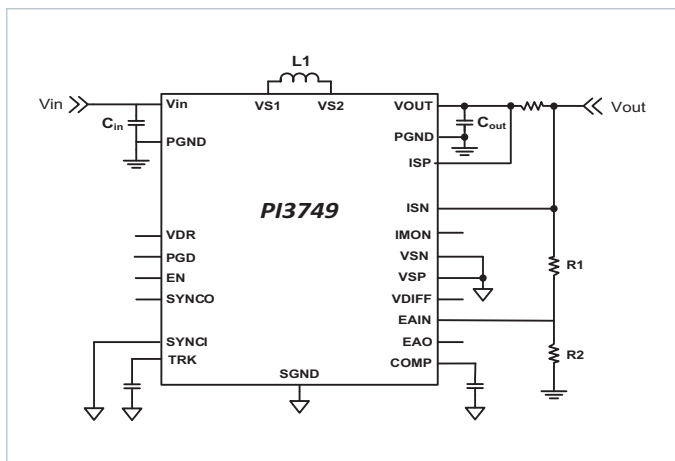


Figure 24 — ZVS Buck-Boost with required components

For basic operation, Figure 24 shows the minimum connections and components required.

### Enable

The EN pin of the regulator is referenced to SGND and permits the user to turn the regulator on or off. The EN polarity is a positive logic assertion. If the EN pin is left floating or asserted high, the regulator output is enabled. Pulling the EN pin below 0.8 VDC with respect to SGND will discharge the SS/TRK pin until the output reaches zero or the EN pin is released.

### Switching Frequency Synchronization

The SYNCI input allows the user to synchronize the controller switching frequency to the falling edge of an external clock referenced to SGND. The external clock can synchronize the unit between 50% and 110% of the preset switching frequency ( $F_{SW}$ ). The SYNCI pin should be connected to SGND when not in use, and should never be left floating.

### Soft-Start and Tracking

The PI3749-00 provides a soft start and tracking feature using the TRK pin. Programmable Soft Start requires an external capacitor from the TRK pin to SGND in addition to the internal 47 nF soft-start capacitor to set the start-up ramp period greater than  $t_{SS}$ . The PI3749-00 output will proportionately follow the TRK pin when it is below 1.7 V<sub>DC</sub>. If the TRK pin is goes below the disable threshold, the regulator will finish the current switching cycle and then stop switching.

### Remote Sensing Differential Amplifier

A general purpose operational amplifier is provided to assist with differential remote sensing and or level shifting of the output voltage. The VDIFF pin can be connected to the transconductance error amplifier input EAIN pin, or with proper configuration can also be connected to the EAO pin to drive the modulator directly.

### Power Good

The PI3749-00 PGD pin functions as a power good indicator and pulls low when the regulator is not operating or if EAIN is less than 1.4 V.

### Output Current Limit Protection

PI3749-00 has three methods implemented to protect from output short circuit or over current condition.

**Slow Current Limit protection:** prevents the output load from sourcing current higher than the maximum rated regulator current. If the output current exceeds the Vout Slow Current Limit ( $V_{OUT\_SCL}$ ) a slow current limit fault is initiated and the regulator is shutdown which eliminates output current flow. After Fault Restart Delay ( $t_{FR\_DLY}$ ), a soft-start cycle is initiated. This restart cycle will be repeated indefinitely until the excessive load is removed.

**Fast Current Limit protection:** monitors the regulator inductor current pulse-by-pulse to prevent the output from supplying very high current. If the regulator senses a high inductor current pulse, it will initiate a fault and stop switching. After Fault Restart Delay ( $t_{FR\_DLY}$ ), a soft-start cycle is initiated. This restart cycle will be repeated indefinitely until the excessive load is removed.

**Overload Timeout protection:** If the regulator is providing maximum output power for longer than the Overload Timeout delay ( $T_{OL}$ ), it will initiate a fault and stop switching. After Fault Restart Delay ( $t_{FR\_DLY}$ ), a soft-start cycle is initiated. This restart cycle will be repeated indefinitely until the overload load is removed.

### Input Under-Voltage Lockout

If  $V_{IN}$  falls below the input Under Voltage Lockout (UVLO) threshold, the PI3749-00 will complete the current cycle and stop switching. The system will restart once the input voltage is reestablished and after the Fault Restart Delay.

### Input Over-Voltage Lockout

If  $V_{IN}$  rises above the input Over Voltage Lockout (OVLO) threshold, the PI3749-00 will complete the current cycle and stop switching. The system will restart once the input voltage is reestablished and after the Fault Restart Delay.

### Output Over Voltage Protection

The PI3749-00 family is equipped with two methods of detecting an output over voltage condition. Output Over Voltage Protection (OVP) to prevent damage to input voltage sensitive devices. If the output voltage exceeds 20% of its set regulated value as measured by the EAIN pin ( $V_{EAIN\_OV}$ ), the regulator will complete the current cycle, stop switching and issue an OVP fault. Also if the output voltage of the regulator exceeds the  $V_{OUT}$  Over Voltage Threshold ( $V_{OUT\_OVT}$ ) then the regulator will complete the current cycle, stop switching and issue an OVP fault. The system will resume operation once the output voltage falls below the OVP threshold and after Fault Restart Delay.



### Over Temperature Protection

The internal package temperature is monitored to prevent internal components from reaching their thermal maximum. If the Over Temperature Protection threshold is exceeded ( $T_{OTP}$ ), the regulator will complete the current switching cycle, enter a low power mode, set a fault flag, and will soft-start when the internal temperature decreases by more than the Over Temperature

Restart Hysteresis ( $T_{OTP\_HYS}$ ).

### Pulse Skip Mode (PSM)

PI3749-00 features a hysteretic Pulse Skip Mode to achieve high efficiency at light loads. The regulator is setup to skip pulses if  $V_{EAO}$  falls below the Pulse Skip Threshold ( $V_{EAO\_PST}$ ). Depending on conditions and component values, this may result in single pulses or several consecutive pulses followed by skipped pulses. Skipping cycles significantly reduces gate drive power and improves light load efficiency. The regulator will leave Pulse Skip Mode once the control node rises above the Pulse Skip Mode threshold ( $V_{EAO\_PST}$ ).

### Variable Frequency Operation

The PI3749-00 is preprogrammed to a fixed, maximum, base operating frequency. The frequency is selected with respect to the required power stage inductor to operate at peak efficiency across line and load variations. The switching frequency period will stretch as needed during each cycle to accommodate low line and or high load conditions. By stretching the switching frequency period, thus decreasing the switching frequency, the ZVS operation is preserved throughout the input line voltage range maintaining optimum efficiency.

### IMON Amplifier

The PI3749-00 provides a differential amplifier with a level shifted, SGND referenced output, the IMON Pin, which is useful for sensing input or output current on high voltage rails. A fixed gain of 20:1 is provided over a large common mode range. When using the amplifier, the ISN pin must be referenced to the common mode voltage of the ISP pin for proper operation. See Absolute Maximum Ratings for more information. If not in use, the ISN and ISP pins should be connected to SGND and the IMON pin left floating.

## Applications Information

### Input / Output Range Limitation

The PI3749-00 is capable of wide step-up and step-down conversions, but high boosting ratios place thermal stress on the external inductor that may not be fully protected by the controller over temperature shut down. For this reason boosting above 29 V out when the input voltage is less than 24 V is not supported.

### Output Voltage Trim

The output voltage can be adjusted by feeding back a portion of the desired output through a voltage divider to the error amplifier's input (see Figure 24). Equation 1 can be used to determine resistor values needed for the voltage divider.

$$R1 = R2 \cdot \left( \frac{V_{OUT}}{1.7} - 1 \right) \quad (1)$$

The R2 value is selected by the user; a 1.07 kΩ resistor value is recommended.

If, for example, a 24 V output is needed, the user can select a 1.07 kΩ (1%) resistor for R2 and use equation (1) to calculate R1. Once R1 value is calculated, the user should select the nearest resistor value available. In this example, R1 is 14.03 kΩ so a 14.0 kΩ should be selected.

### Soft-Start Adjustment and Tracking

The TRK pin offers a means to increase the regulator's soft-start time or to track with additional regulators. The soft-start slope is controlled by an internal 47 nF and a fixed charge current to provide a minimum startup time of 1.6 ms (typical). By adding an external capacitor to the TRK pin, the soft-start time can be increased further. The following equation can be used to calculate the proper capacitor for a desired soft-start times:

Where,  $t_{TRK}$  is the desired soft-start time and  $I_{SS}$  is the TRK pin source

$$C_{TRK} = \frac{(t_{TRK} \cdot I_{SS})}{1.7} - 47 \cdot 10^{-9} \quad (2)$$

current (see Electrical Characteristics for limits).

The PI3749-00 allows the tracking of multiple like regulators. Two methods of tracking can be chosen: proportional or direct tracking. Proportional tracking will force all connected regulators to startup and reach regulation at the same time (see Figure 25 (a)). To implement proportional tracking, simply connect all devices TRK pins together.

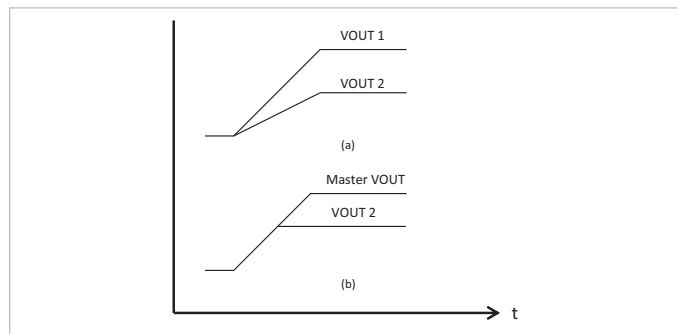


Figure 25 — PI3749-00 tracking methods

For Direct Tracking, choose the regulator with the highest output voltage as the master and connect the master to the TRK pin of the other regulators through a divider (Figure 26) with the same ratio as the slave's feedback divider (see Output Voltage Trim).

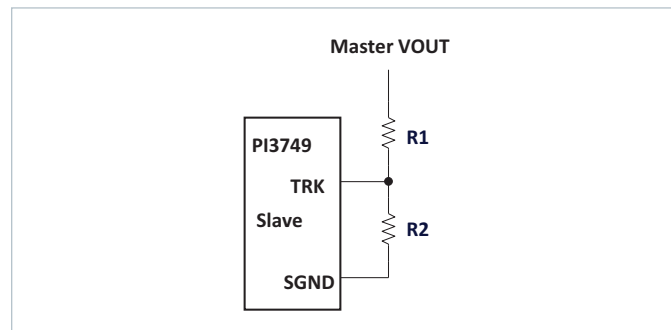


Figure 26 — Voltage divider connections for direct tracking

All connected regulators' soft-start slopes will track with this method. Direct tracking timing is demonstrated in Figure 25 (b). All tracking regulators should have their Enable (EN) pins connected together for proper operation.

### Inductor Pairing

Operations and characterization of the PI3749-00 was performed using a 480 nH inductor, Part # HCV1206-R48-R, manufactured by Eaton. This Inductor has a form factor of 12.5 mm x 10 mm x 5 mm. No other inductor is recommended for use with the PI3749-00. For additional inductor information and sourcing, please contact Eaton directly.

### Thermal De-rating

Thermal de-rating curves are provided (page 14) that are based on component temperature changes versus load current, input voltage and no air flow. It is recommended to use these curves as a guideline for proper thermal de-rating. These curves represent the entire system and are inclusive to both the Picor SiP and the external inductor. Maximum thermal operation is limited by either the MOSFETs or inductor depending upon line and load conditions. All thermal testing was performed using a 3 in. x 3 in., four 2 oz. copper layers, FR4 evaluation board platform. Thermal measurements were made on the five main power devices; the four internal MOSFETs and the external inductor.

### Filter Considerations

The PI3749-00 requires low impedance ceramic input capacitors (X7R/X5R or equivalent) to ensure proper start up and high frequency decoupling for the power stage. The PI3749-00 will draw nearly all of the high frequency current from the low impedance ceramic capacitors when the main high side MOSFET(s) are conducting. During the time the MOSFET(s) are off, the input capacitors are replenished from the source. Table 1 shows the recommended input and output capacitors to be used for the PI3749-00 as well as total RMS current, and input and output ripple voltages. Divide the total RMS current by the number of ceramic capacitors used to calculate the individual capacitor's RMS current. Table 2 includes the recommended input and output ceramic capacitor. It is very important to verify that the voltage supply source as well as the interconnecting line are stable and do not oscillate.

### Input Filter case 1; Inductive source and local, external, input decoupling capacitance with negligible ESR (i.e.: ceramic type)

The voltage source impedance can be modeled as a series  $R_{line}$   $L_{line}$  circuit. The high performance ceramic decoupling capacitors will not significantly damp the network because of their low ESR; therefore in order to guarantee stability the following conditions must be verified:

$$R_{line} > \frac{L_{line}}{(C_{IN\_INT} + C_{IN\_EXT}) \cdot |r_{EQ\_IN}|} \quad (3)$$

$$R_{line} \ll |r_{EQ\_IN}| \quad (4)$$

Where,  $r_{EQ\_IN}$  can be calculated by dividing the lowest line voltage by the full load input current. It is critical that the line source impedance be at least an octave lower than the converter's dynamic input resistance, Equation (4). However,  $R_{line}$  cannot be made arbitrarily low otherwise Equation (3) is violated and the system will show instability, due to under-damped RLC input network.

### Input Filter case 2; Inductive source and local, external input decoupling capacitance with significant $R_{CIN\_EXT}$ ESR (i.e.: electrolytic type)

In order to simplify the analysis in this case, the voltage source impedance can be modeled as a simple inductor  $L_{line}$ . Notice that, the high performance ceramic capacitors  $C_{IN\_INT}$  within the PI3749-00 should be included in the external electrolytic capacitance value for this purpose. The stability criteria will be:

$$|r_{EQ\_IN}| > R_{CIN\_EXT} \quad (5)$$

$$\frac{L_{line}}{C_{IN\_INT} \cdot R_{CIN\_EXT}} < |r_{EQ\_IN}| \quad (6)$$

Equation (6) shows that if the aggregate ESR is too small – for example by using very high quality input capacitors ( $C_{IN\_EXT}$ ) – the system will be under-damped and may even become destabilized. Again, an octave of design margin in satisfying Equation (5) should be considered the minimum.

**Note:** When applying an electrolytic capacitor for input filter damping the ESR value must be chosen to avoid loss of converter efficiency and excessive power dissipation in the electrolytic capacitor.

## Parallel Operation

PI3749-00 can be connected in parallel up to two phases, with interleaving. Parallel interleaved modules can be used to increase the output current capability of a single power rail and reduce output voltage ripple. Figure 27 shows the proper connection of two regulators in parallel interleaved operation. Connecting a higher number of modules (up to six maximum) is possible without interleaving or synchronization. Connecting groups of interleaved modules would be the best configuration for applications requiring higher current than two modules can produce. The user must consider a worst case sharing error of +/-10% when considering a two unit parallel system to avoid overloading one module or tripping current limit during load transients.

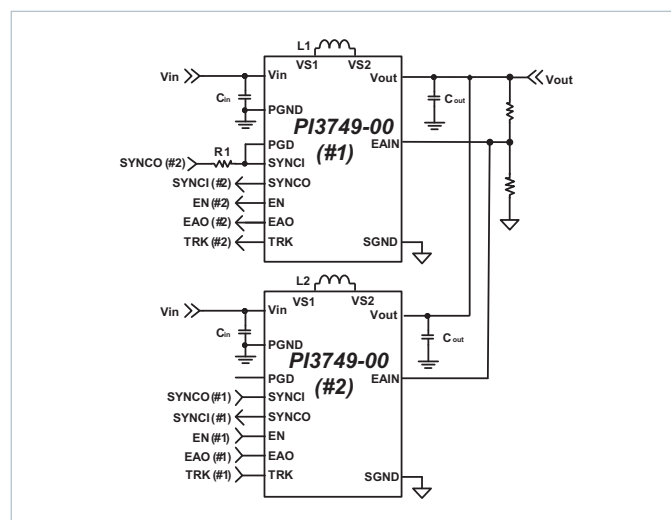


Figure 27 — PI3749\_00 parallel operation

By connecting the EAO pins and SGND pins of each module together, the regulators will share the output current equally, provided each power inductor is the same value and the output ripple is not excessive. Connecting all TRK pins will force all units to track each other during soft-start. Additionally, all units EN pins must be released to allow the units to start (See Figure 27).

To provide synchronization between regulators over the entire operational frequency range, the Power Good (PGD) pin must be connected to the lead regulator's (#1) SYNCI pin and a 2.5k $\Omega$  Resistor, R1, must be placed between SYNCO (#2) return and the lead regulator's SYNCI (#1) pin, as shown in Figure 27. In this configuration, at system soft-start, the PGD pin pulls SYNCI low forcing the lead regulator to initialize the open-loop startup synchronization. Once the regulators reach regulation, SYNCI is released and the system is now synchronized in a closed-loop configuration which allows the system to maintain correct synchronization when any of the individual regulators begin to enter variable frequency mode.

Any fault event flagged by one regulator will disable the other regulators. The regulators will not be synchronized during a fault or during startup (resulting in higher output ripple for that period of time) until the PGD pin is released.

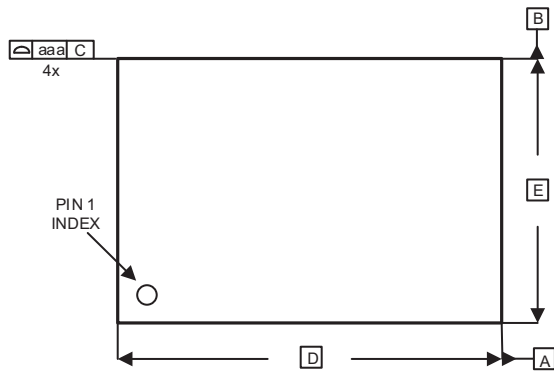
V <sub>OUT</sub> (V)	V <sub>IN</sub> (V)	I <sub>LOAD</sub> (A)	C <sub>INPUT</sub> Ceramic X7R	C <sub>OUTPUT</sub> Ceramic X7R	C <sub>INPUT</sub> Ripple Current (I <sub>RMS</sub> )	C <sub>OUTPUT</sub> Ripple Current (I <sub>RMS</sub> )	Output Ripple (mVpp)	Input Ripple (mVpp)
12	16	5	6 X 10 μF	8 X 10 μF	3.55	3.65	37.1	67.5
		7			4.59	4.89	60.53	113
12	20	6	6 X 10 μF	8 X 10 μF	4.45	4.43	44	84.23
		9			6.08	6.32	80.5	162
12	24	6	6 X 10 μF	8 X 10 μF	4.68	4.36	40.2	81
		10			6.93	6.84	88	184
12	28	6	6 X 10 μF	8 X 10 μF	5.06	4.34	43.4	90.1
		11			7.66	7.21	95	217
12	34	7	6 X 10 μF	8 X 10 μF	5.78	4.64	50	125
		11			7.8	6.76	87	240
24	16	5	6 X 10 μF	8 X 10 μF	5.13	4.49	75.4	63.45
		7			7.08	6.07	138	114
24	20	5	6 X 10 μF	8 X 10 μF	4.28	3.91	61.6	56
		7			5.3	4.6	85	75
24	24	5	6 X 10 μF	8 X 10 μF	4.24	4.13	64	82
		7			4.7	4.5	68	88
24	28	5	6 X 10 μF	8 X 10 μF	4.55	4.4	68	105
		7			5.1	5.1	74	121
24	34	5	6 X 10 μF	8 X 10 μF	5.1	4.66	72.5	142
		7			5.93	5.67	83	176
28	16	6	6 X 10 μF	8 X 10 μF	7.18	6.5	143.5	108
		9			10.62	9.37	301	223
28	20	5	6 X 10 μF	8 X 10 μF	5.09	4.65	84	70
		7			6.49	5.51	122	95
28	24	5	6 X 10 μF	8 X 10 μF	4.68	4.46	82	83
		6			5.06	4.68	87	83.5
28	28	5	6 X 10 μF	8 X 10 μF	4.66	4.54	83	107.5
		7			5.31	5.16	93	119
28	34	4	6 X 10 μF	8 X 10 μF	4.5	4.18	77.4	130.6
		6			5.49	5.26	95	168
34	24	5	6 X 10 μF	8 X 10 μF	5.6	5.39	124	95
		7			6.66	5.76	148	100
34	29	4	6 X 10 μF	8 X 10 μF	4.5	4.5	107	107
		6			5.6	5.33	133	122
34	34	3	6 X 10 μF	8 X 10 μF	3.87	3.7	90.4	118
		5			5.12	4.95	124	160

**Table 1** — Recommended input and output capacitance

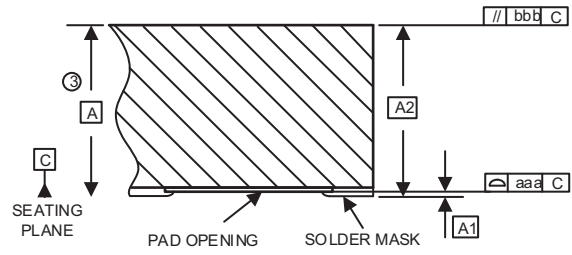
Part Number	Description	MFG Description
C3225X7S1H106M250AB	10 μF Capacitor, X7S 20% 50 V, 1210	TDK

**Table 2** — Capacitor manufacturer part numbers

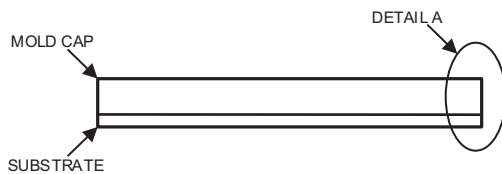
Package Drawings



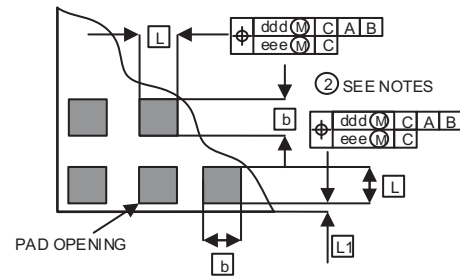
PACKAGE TOP VIEW



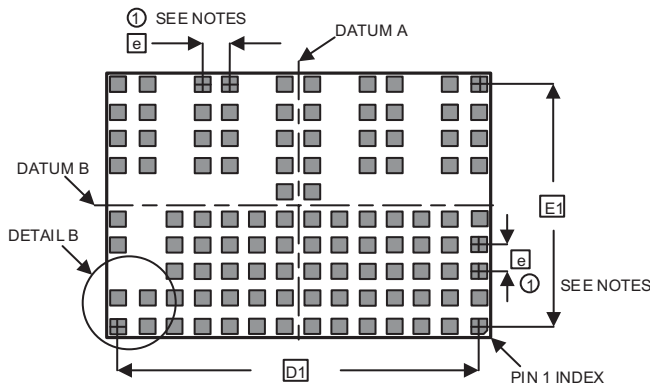
DETAIL A



PACKAGE SIDE VIEW



DETAIL B



PACKAGE BOTTOM VIEW

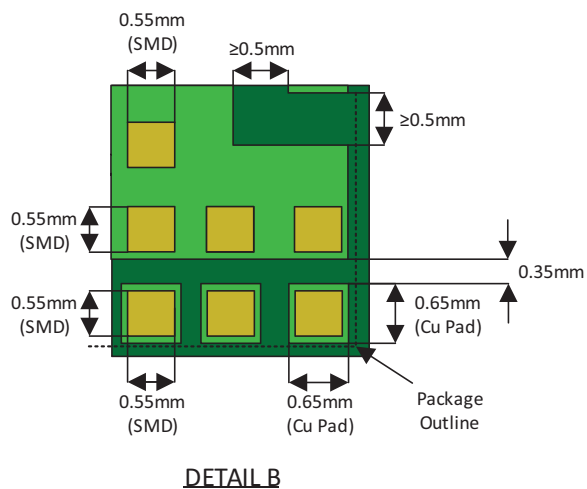
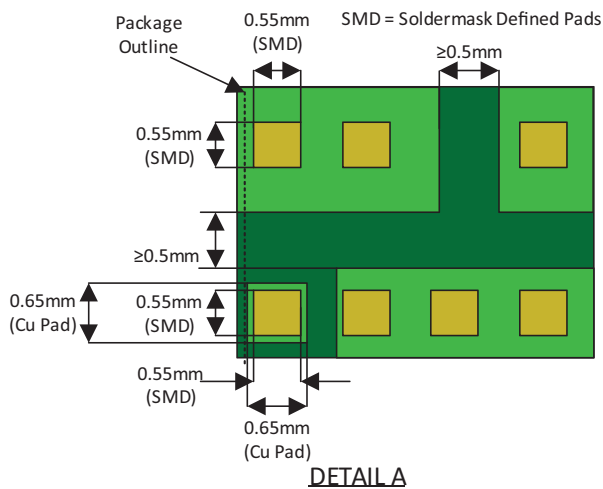
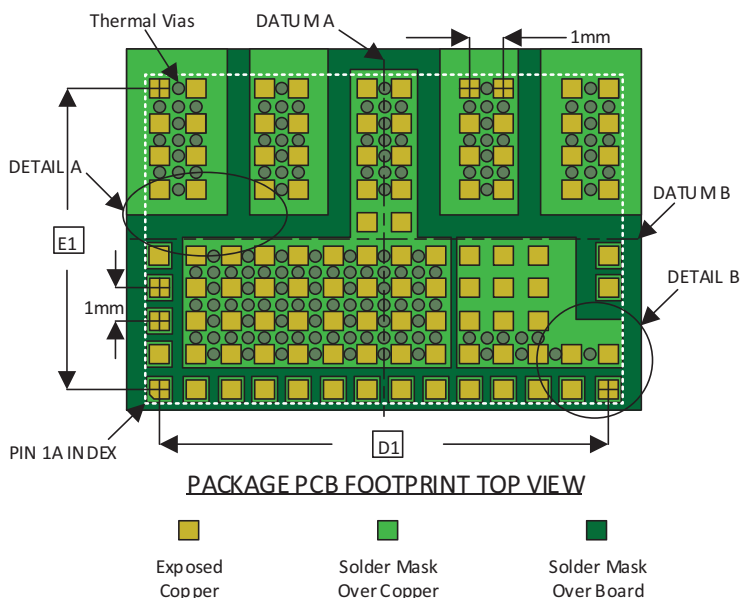
NOTES

- ① 'e' REPRESENTS THE BASIC TERMINAL PITCH. SPECIFIES THE TRUE GEOMETRIC POSITION OF THE TERMINAL AXIS.
- ② DIMENSION 'b' APPLIES TO METALLIZED PAD OPENING.
- ③ DIMENSION 'A' INCLUDES PACKAGE WARPAGE.
- ④ EXPOSED METALLIZED PADS ARE CU PADS WITH SURFACE FINISH PROTECTION.
- ⑤ ALL DIMENSIONS IN MILLIMETERS.

SYMBOL	MIN	NOM	MAX
A	2.49	2.56	2.63
A1	–	–	0.04
A2	–	–	2.59
b	0.50	0.55	0.60
L	0.50	0.55	0.60
D	14.00 BSC		
E	10.00 BSC		
D1	13.00 BSC		
E1	9.00 BSC		
e	1.00 BSC		
L1	0.175	0.225	0.275
aaa			0.10
bbb			0.10
ccc			0.08
ddd			0.10
eee			0.08

DIMENSIONS

Receiving PCB Pattern Design Recommendations



## Revision History

Revision	Date	Description	Page Number(s)
1.0	04/13/15	Initial Release	n/a
1.1	07/14/15	Updated conditions column Added additional specifications Clarified parameters and updated typical Corrected labels Corrected labels Inductor Pairing updated	7 8 9 10 15 18
1.2	08/03/15	Inductor value corrected	7-9

## **Vicor's comprehensive line of power solutions includes high density AC-DC and DC-DC modules and accessory components, fully configurable AC-DC and DC-DC power supplies, and complete custom power systems.**

Information furnished by Vicor is believed to be accurate and reliable. However, no responsibility is assumed by Vicor for its use. Vicor makes no representations or warranties with respect to the accuracy or completeness of the contents of this publication. Vicor reserves the right to make changes to any products, specifications, and product descriptions at any time without notice. Information published by Vicor has been checked and is believed to be accurate at the time it was printed; however, Vicor assumes no responsibility for inaccuracies. Testing and other quality controls are used to the extent Vicor deems necessary to support Vicor's product warranty. Except where mandated by government requirements, testing of all parameters of each product is not necessarily performed.

**Specifications are subject to change without notice.**

### **Vicor's Standard Terms and Conditions**

All sales are subject to Vicor's Standard Terms and Conditions of Sale, which are available on Vicor's webpage or upon request.

### **Product Warranty**

In Vicor's standard terms and conditions of sale, Vicor warrants that its products are free from non-conformity to its Standard Specifications (the "Express Limited Warranty"). This warranty is extended only to the original Buyer for the period expiring two (2) years after the date of shipment and is not transferable.

UNLESS OTHERWISE EXPRESSLY STATED IN A WRITTEN SALES AGREEMENT SIGNED BY A DULY AUTHORIZED VICOR SIGNATORY, VICOR DISCLAIMS ALL REPRESENTATIONS, LIABILITIES, AND WARRANTIES OF ANY KIND (WHETHER ARISING BY IMPLICATION OR BY OPERATION OF LAW) WITH RESPECT TO THE PRODUCTS, INCLUDING, WITHOUT LIMITATION, ANY WARRANTIES OR REPRESENTATIONS AS TO MERCHANTABILITY, FITNESS FOR PARTICULAR PURPOSE, INFRINGEMENT OF ANY PATENT, COPYRIGHT, OR OTHER INTELLECTUAL PROPERTY RIGHT, OR ANY OTHER MATTER.

This warranty does not extend to products subjected to misuse, accident, or improper application, maintenance, or storage. Vicor shall not be liable for collateral or consequential damage. Vicor disclaims any and all liability arising out of the application or use of any product or circuit and assumes no liability for applications assistance or buyer product design. Buyers are responsible for their products and applications using Vicor products and components. Prior to using or distributing any products that include Vicor components, buyers should provide adequate design, testing and operating safeguards.

Vicor will repair or replace defective products in accordance with its own best judgment. For service under this warranty, the buyer must contact Vicor to obtain a Return Material Authorization (RMA) number and shipping instructions. Products returned without prior authorization will be returned to the buyer. The buyer will pay all charges incurred in returning the product to the factory. Vicor will pay all reshipment charges if the product was defective within the terms of this warranty.

### **Life Support Policy**

VICOR'S PRODUCTS ARE NOT AUTHORIZED FOR USE AS CRITICAL COMPONENTS IN LIFE SUPPORT DEVICES OR SYSTEMS WITHOUT THE EXPRESS PRIOR WRITTEN APPROVAL OF THE CHIEF EXECUTIVE OFFICER AND GENERAL COUNSEL OF VICOR CORPORATION. As used herein, life support devices or systems are devices which (a) are intended for surgical implant into the body, or (b) support or sustain life and whose failure to perform when properly used in accordance with instructions for use provided in the labeling can be reasonably expected to result in a significant injury to the user. A critical component is any component in a life support device or system whose failure to perform can be reasonably expected to cause the failure of the life support device or system or to affect its safety or effectiveness. Per Vicor Terms and Conditions of Sale, the user of Vicor products and components in life support applications assumes all risks of such use and indemnifies Vicor against all liability and damages.

### **Intellectual Property Notice**

Vicor and its subsidiaries own Intellectual Property (including issued U.S. and Foreign Patents and pending patent applications) relating to the products described in this data sheet. No license, whether express, implied, or arising by estoppel or otherwise, to any intellectual property rights is granted by this document. Interested parties should contact Vicor's Intellectual Property Department.

The products described on this data sheet are protected by the following U.S. Patents Numbers: RE40,072; 6,788,033; 7,154,250; 6,421,262; 8,669,744; and for use under: 6,984,965; 6,975,098.

**Vicor Corporation**  
25 Frontage Road  
Andover, MA 01810 USA

**Picor Corporation**  
51 Industrial Drive  
North Smithfield, RI 02896 USA

#### **email**

Customer Service: [custserv@vicorpower.com](mailto:custserv@vicorpower.com)

Technical Support: [apps@vicorpower.com](mailto:apps@vicorpower.com)



Компания «Океан Электроники» предлагает заключение долгосрочных отношений при поставках импортных электронных компонентов на взаимовыгодных условиях!

Наши преимущества:

- Поставка оригинальных импортных электронных компонентов напрямую с производств Америки, Европы и Азии, а так же с крупнейших складов мира;
- Широкая линейка поставок активных и пассивных импортных электронных компонентов (более 30 млн. наименований);
- Поставка сложных, дефицитных, либо снятых с производства позиций;
- Оперативные сроки поставки под заказ (от 5 рабочих дней);
- Экспресс доставка в любую точку России;
- Помощь Конструкторского Отдела и консультации квалифицированных инженеров;
- Техническая поддержка проекта, помощь в подборе аналогов, поставка прототипов;
- Поставка электронных компонентов под контролем ВП;
- Система менеджмента качества сертифицирована по Международному стандарту ISO 9001;
- При необходимости вся продукция военного и аэрокосмического назначения проходит испытания и сертификацию в лаборатории (по согласованию с заказчиком);
- Поставка специализированных компонентов военного и аэрокосмического уровня качества (Xilinx, Altera, Analog Devices, Intersil, Interpoint, Microsemi, Actel, Aeroflex, Peregrine, VPT, Syfer, Eurofarad, Texas Instruments, MS Kennedy, Miteq, Cobham, E2V, MA-COM, Hittite, Mini-Circuits, General Dynamics и др.);

Компания «Океан Электроники» является официальным дистрибьютором и эксклюзивным представителем в России одного из крупнейших производителей разъемов военного и аэрокосмического назначения «JONHON», а так же официальным дистрибьютором и эксклюзивным представителем в России производителя высокотехнологичных и надежных решений для передачи СВЧ сигналов «FORSTAR».



## JONHON

«JONHON» (основан в 1970 г.)

Разъемы специального, военного и аэрокосмического назначения:

(Применяются в военной, авиационной, аэрокосмической, морской, железнодорожной, горно- и нефтедобывающей отраслях промышленности)

«FORSTAR» (основан в 1998 г.)

ВЧ соединители, коаксиальные кабели,  
кабельные сборки и микроволновые компоненты:

(Применяются в телекоммуникациях гражданского и специального назначения, в средствах связи, РЛС, а так же военной, авиационной и аэрокосмической отраслях промышленности).



Телефон: 8 (812) 309-75-97 (многоканальный)

Факс: 8 (812) 320-03-32

Электронная почта: [ocean@oceanchips.ru](mailto:ocean@oceanchips.ru)

Web: <http://oceanchips.ru/>

Адрес: 198099, г. Санкт-Петербург, ул. Калинина, д. 2, корп. 4, лит. А