

### FEATURES

- Frequency Synthesis to 155.52 MHz**
- 19.44 MHz or 9.72 MHz Input**
- Reference Signal Select Mux**
- Single Supply Operation: +5 V or -5.2 V**
- Output Jitter: 2.0 Degrees RMS**
- Low Power: 90 mW**
- 10 KH ECL/PECL Compatible Output**
- 10 KH ECL/PECL/TTL/CMOS Compatible Input**
- Package: 16-Pin Narrow 150 Mil SOIC**

### PRODUCT DESCRIPTION

The AD809 provides a 155.52 MHz ECL/PECL output clock from either a 19.44 MHz or a 9.72 MHz TTL/CMOS/ECL/PECL reference frequency. The AD809 functionality supports a distributed timing architecture, allowing a backplane or PCB 19.44 MHz or 9.72 MHz timing reference signal to be distributed to multiple

155.52 Mbps ports. The AD809 can be applied to create the transmit bit clock for one or more ports.

An input signal multiplexer supports loop-timed applications where a 155.52 MHz transmit bit clock is recovered from the 155.52 Mbps received data.

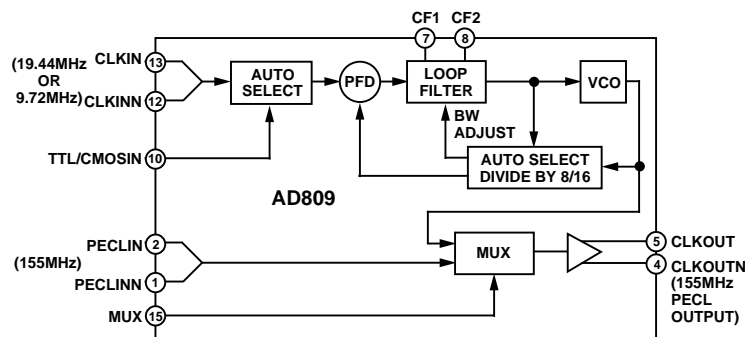
The low jitter VCO, low power and wide operating temperature range make the device suitable for generating a 155.52 MHz bit clock for SONET/SDH/Fiber in the Loop systems.

The device has a low cost, on-chip VCO that locks to either 8× or 16× the frequency at the 19.44 MHz or 9.72 MHz input. No external components are needed for frequency synthesis; however, the user can adjust loop dynamics through selection of a damping factor capacitor whose value determines loop damping.

The AD809 design guarantees that the clock output frequency will drift low (by roughly 20%) in the absence of a signal at the input.

The AD809 consumes 90 mW and operates from a single power supply at either +5 V or -5.2 V.

### FUNCTIONAL BLOCK DIAGRAM



REV. A

Information furnished by Analog Devices is believed to be accurate and reliable. However, no responsibility is assumed by Analog Devices for its use, nor for any infringements of patents or other rights of third parties which may result from its use. No license is granted by implication or otherwise under any patent or patent rights of Analog Devices.

# AD809—SPECIFICATIONS ( $T_A = T_{MIN}$ to $T_{MAX}$ , $V_S = V_{MIN}$ to $V_{MAX}$ , $C_D = 22$ nF, unless otherwise noted)

Parameter	Condition	Min	Typ	Max	Units
TRACKING AND CAPTURE RANGE <sup>1</sup>	×8 Synthesis ×16 Synthesis	19.42 9.71		19.46 9.73	MHz MHz
OUTPUT JITTER	×8 Synthesis ×16 Synthesis		1.6 1.6	2.9 2.9	Degrees RMS Degrees RMS
JITTER TRANSFER					
Bandwidth			200		kHz
Peaking	$C_D = 5.6$ nF ( $\zeta = 5$ ) $C_D = 22$ nF ( $\zeta = 10$ )		0.08 0.02		dB dB
DUTY CYCLE TOLERANCE	×8 or ×16 Synthesis Output Jitter $\leq 2.9$ Degrees RMS	15		85	%
INPUT VOLTAGE LEVELS					
PECL					
Input Logic High, $V_{IH}$	@ CLKIN/N and PECLIN/N Inputs	3.8		$V_{CC}$	Volts
Input Logic Low, $V_{IL}$		3.1		3.6	Volts
TTL					
Input Logic High, $V_{IH}$	@ TTL/CMOSIN and MUX Inputs	2.0			Volts
Input Logic Low, $V_{IL}$				0.8	Volts
OUTPUT VOLTAGE LEVELS	Referenced to $V_{CC}$				
PECL					
Output Logic High, $V_{OH}$		-1.2	-1.0	-0.7	Volts
Output Logic Low, $V_{OL}$		-2.0	-1.8	-1.7	Volts
SYMMETRY (Duty Cycle)	×8 Synthesis or ×16 Synthesis	46	52	62	% %
OUTPUT RISE/FALL TIMES 1.5					
Rise Time ( $t_R$ )	20%–80%		1.1	1.5	ns
Fall Time ( $t_F$ )	80%–20%		1.1	1.5	ns
POWER SUPPLY VOLTAGE	$V_{MIN}$ to $V_{MAX}$	4.5		5.5	Volts
POWER SUPPLY CURRENT			17	26	mA
OPERATING TEMPERATURE RANGE	$T_{MIN}$ to $T_{MAX}$	-40		+85	°C

## NOTES

<sup>1</sup>Device design is guaranteed for operation over Capture Ranges and Tracking Ranges, however the device has wider capture and tracking ranges (for both ×8 and ×16 synthesis).

Specifications subject to change without notice.

## ABSOLUTE MAXIMUM RATINGS\*

Supply Voltage	+12 V
Input Voltage (Pin 12 or Pin 13)	$V_{CC} + 0.6$ V
Maximum Junction Temperature	+165°C
Storage Temperature Range	-65°C to +150°C
Lead Temperature Range (Soldering 10 sec)	+300°C
ESD Rating (Human Body Model)	1500 V

\*Stresses above those listed under “Absolute Maximum Ratings” may cause permanent damage to the device. This is a stress rating only; functional operation of the device at these or any other conditions above those indicated in the operational section of this specification is not implied. Exposure to absolute maximum rating conditions for extended periods may affect device reliability.

Thermal Characteristics:

16-Pin Narrow Body SOIC Package:  $\theta_{JA} = 110^\circ\text{C}/\text{W}$ .

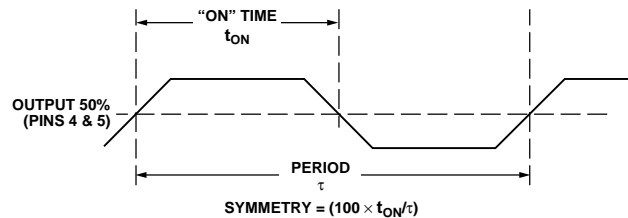


Figure 1. Symmetry

## ORDERING GUIDE

Model	Temperature Range	Package Description	Package Option
AD809BR	-40°C to +85°C	16-Pin Narrow Body SOIC	R-16A
AD809BR-REEL7	-40°C to +85°C	750 Pieces, 7" Reel	R-16A

## PIN DESCRIPTIONS

Table I.

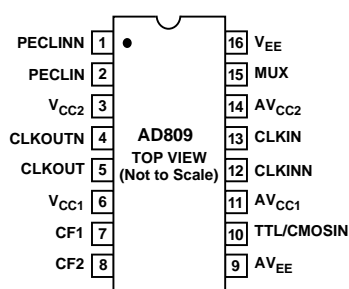
Pin No.	Mnemonic	Description
1	PECLINN	Differential 155 MHz Input
2	PECLIN	Differential 155 MHz Input
3	V <sub>CC2</sub>	Digital V <sub>CC</sub> for PECL Outputs
4	CLKOUTN	Differential 155 MHz Output
5	CLKOUT	Differential 155 MHz Output
6	V <sub>CC1</sub>	Digital V <sub>CC</sub> for Internal Logic
7	CF1	Loop Damping Capacitor
8	CF2	Loop Damping Capacitor
9	AV <sub>EE</sub>	Analog V <sub>EE</sub>
10	TTL/CMOSIN	TTL/CMOS Reference Clock Input
11	AV <sub>CC1</sub>	Analog V <sub>CC</sub> for PLL
12	CLKINN	PECL Differential Reference Clock Input
13	CLKIN	PECL Differential Reference Clock Input
14	AV <sub>CC2</sub>	Analog V <sub>CC</sub> for Input Stage
15	MUX	Input Signal Mux Control Input
16	V <sub>EE</sub>	Digital V <sub>EE</sub>

MUX Input	Input Selected
TTL “0”	CLKIN/CLKINN
TTL “1”	PECLIN/PECLINN

**Table II. Applying a PECL/ECL or CMOS/TTL Reference Input to the AD809**

Input Reference	AD809 Configuration
PECL/ECL Differential	Apply the valid PECL-level reference frequency to Pins 13 and 12. AD809 frequency synthesizer ignores the input at Pin 10.
TTL/CMOS Single-Ended	Apply the reference frequency to Pin 10. Connect Pins 13 and 12 to AV <sub>EE</sub> (Pins 9 and 16). The AD809 senses the common-mode signal at these pins as less than valid PECL and selects the TTL/CMOS input as active.

## PIN CONFIGURATION



### AD809 Phase Skew

The AD809 output is in phase with the input. The falling edge at Pin 4, CLKOUTN, occurs 700 ps before the rising edge at Pin 10, TTL/CMOSIN at 27°C. The phase skew remains relatively constant over temperature. Refer to Table III for phase skew data.

**Table III. Phase Skew vs. Temperature**

Temperature (°C)	Skew (CLKOUTN, Pin 4, Relative to TTL/CMOSIN, Pin 10 Measured in ps at Package Pins)
-35	-1000
-20	-950
0	-850
10	-750
30	-700
50	-600
70	-450
80	-450
90	-350
100	-250

### CAUTION

ESD (electrostatic discharge) sensitive device. Electrostatic charges as high as 4000 V readily accumulate on the human body and test equipment and can discharge without detection. Although the AD809 features proprietary ESD protection circuitry, permanent damage may occur on devices subjected to high energy electrostatic discharges. Therefore, proper ESD precautions are recommended to avoid performance degradation or loss of functionality.



# AD809

## DEFINITION OF TERMS

### Maximum, Minimum and Typical Specifications

Specifications for every parameter are derived from statistical analyses of data taken on multiple devices from multiple wafer lots. Typical specifications are the mean of the distribution of the data for that parameter. If a parameter has a maximum (or a minimum), that value is calculated by adding to (or subtracting from) the mean six times the standard deviation of the distribution. This procedure is intended to tolerate production variations: if the mean shifts by 1.5 standard deviations, the remaining 4.5 standard deviations still provide a failure rate of only 3.4 parts per million. For all tested parameters, the test limits are guardbanded to account for tester variation to thus guarantee that no device is shipped outside of data sheet specifications.

### Capture and Tracking Range

This is the range of input data rates over which the AD809 will remain in lock.

### Jitter

This is the dynamic displacement of digital signal edges from their long term average positions, measured in degrees rms. Jitter on the input clock causes jitter on the synthesized clock.

### Output Jitter

This is the jitter on the synthesized clock ( $\overline{\text{OUTPUT}}$ ), in degrees rms.

### Jitter Transfer

The AD809 exhibits a low-pass filter response to jitter applied to its input data.

### Bandwidth

This describes the frequency at which the AD809 attenuates sinusoidal input jitter by 3 dB.

### Peaking

This describes the maximum jitter gain of the AD809 in dB.

### Damping Factor, $\zeta$

Damping factor,  $\zeta$  describes the compensation of the second order PLL. A larger value of  $\zeta$  corresponds to more damping and less peaking in the jitter transfer function.

### Duty Cycle Tolerance

The AD809 exhibits a duty cycle tolerance that is measured by applying an input signal (nominal input frequency) with a known duty cycle imbalance and measuring the  $\times 8$  or  $\times 16$  output frequency.

### Symmetry-Recovered Clock Duty Cycle

Symmetry is calculated as  $(100 \times \text{on time})/\text{period}$ , where on time equals the time that the clock signal is greater than the midpoint between its "0" level and its "1" level.

## Typical Characteristic Curves

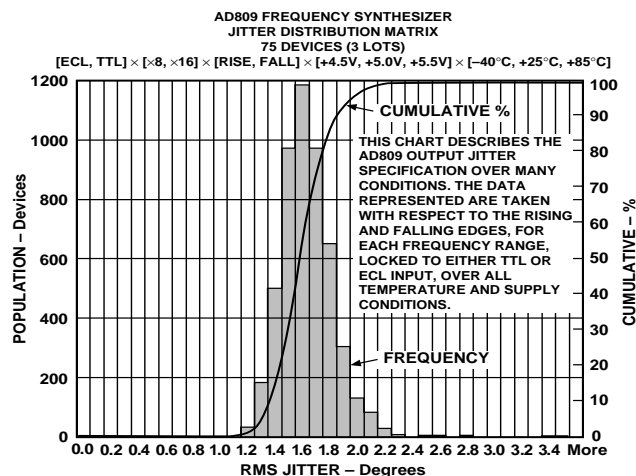


Figure 2. Jitter Histogram

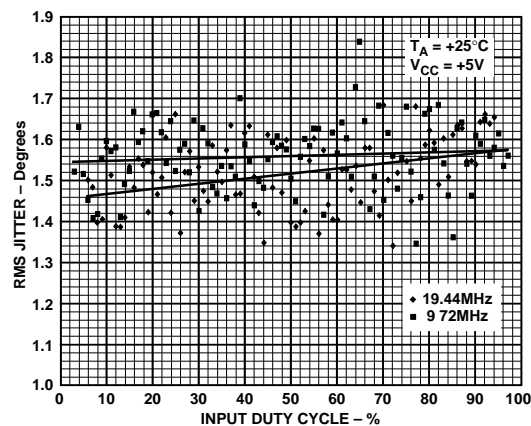


Figure 3. Jitter vs. Input Duty Cycle

## USING THE AD809

### Ground Planes

Use of one ground plane for connections to both analog and digital grounds is recommended.

### Power Supply Connections

Use of a 10  $\mu\text{F}$  capacitor between  $V_{CC}$  and ground is recommended. Care should be taken to isolate the +5 V power trace to  $V_{CC2}$  (Pin 3). The  $V_{CC2}$  pin is used inside the device to provide the CLKOUT/CLKOUTN signals.

Use of a trace connecting Pin 14 and Pin 6 ( $AV_{CC2}$  and  $V_{CC1}$  respectively) is recommended. Use of 0.1  $\mu\text{F}$  capacitors between IC power supply and ground is recommended. Power supply decoupling should take place as close to the IC as possible. Refer to the schematic, Figure 5, for advised connections.

### Transmission Lines

Use of 50  $\Omega$  transmission lines are recommended for PECL inputs.

### Terminations

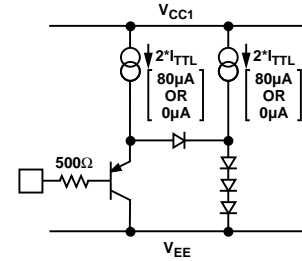
Termination resistors should be used for PECL input signals. Metal, thick film, 1% tolerance resistors are recommended. Termination resistors for the PECL input signals should be placed as close as possible to the PECL input pins.

Connections from the power supply to load resistors for input and output signals should be individual, not daisy chained. This will avoid crosstalk on these signals.

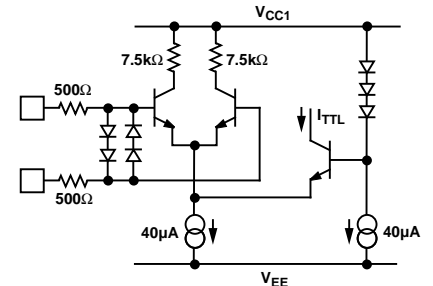
### Loop Damping Capacitor, $C_D$

A ceramic capacitor may be used for the loop damping capacitor. A 22 nF capacitor provides a damping factor of 10.

Synthesizer Input  
TTL/CMOSIN



Synthesizer Input  
CLKIN/CLKINN  
PECL INPUT



PLL Differential  
Output Stage—  
CLKOUT/CLKOUTN

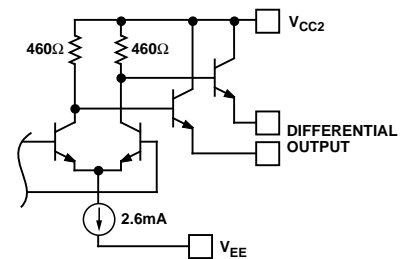


Figure 4. Simplified Schematics

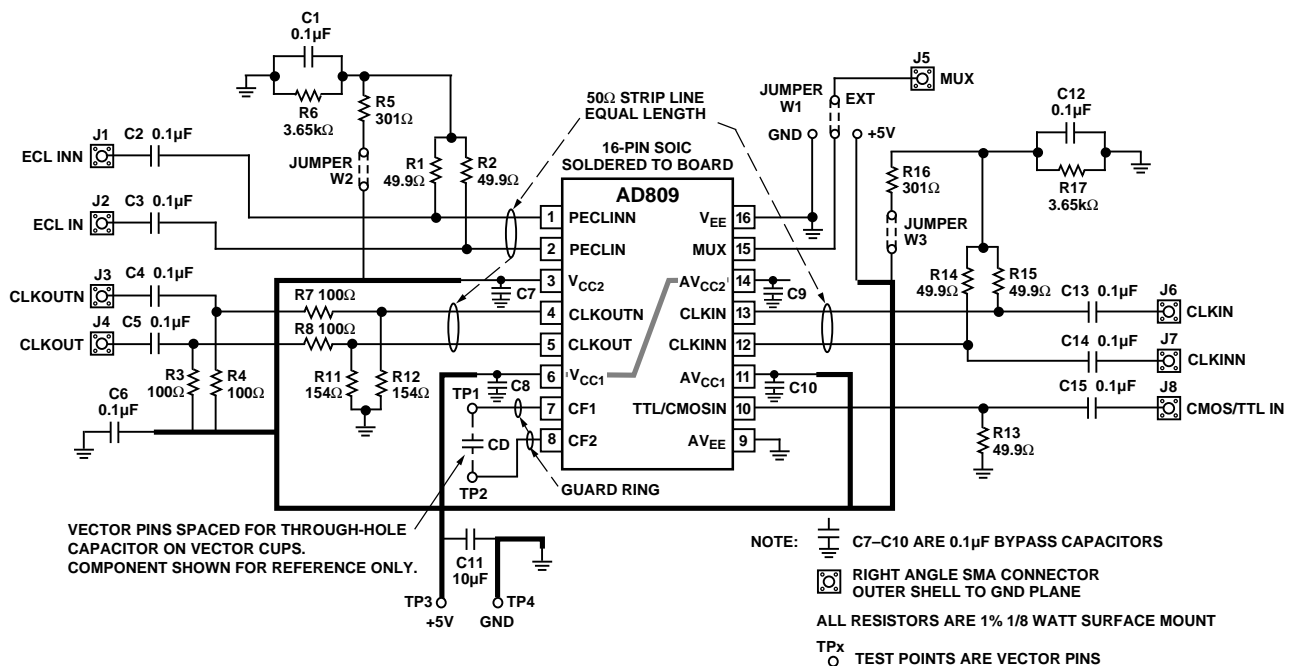


Figure 5. Evaluation Board Schematic

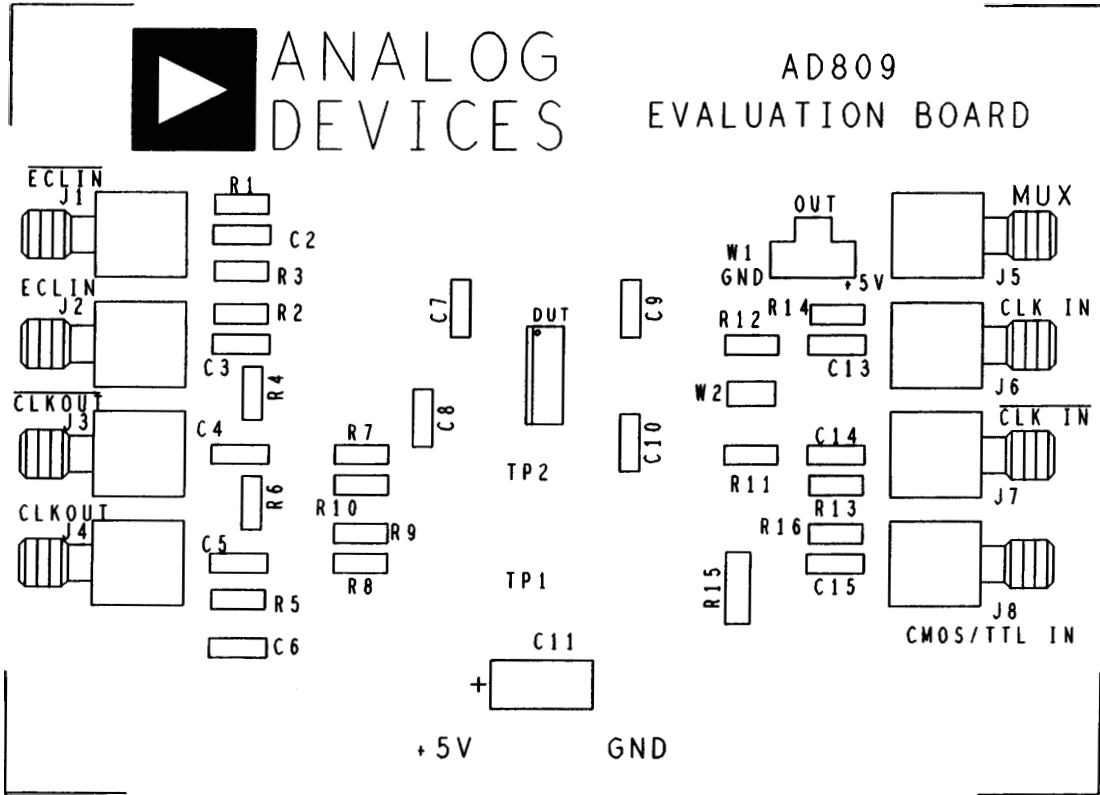


Figure 6. Evaluation Board: Component Side

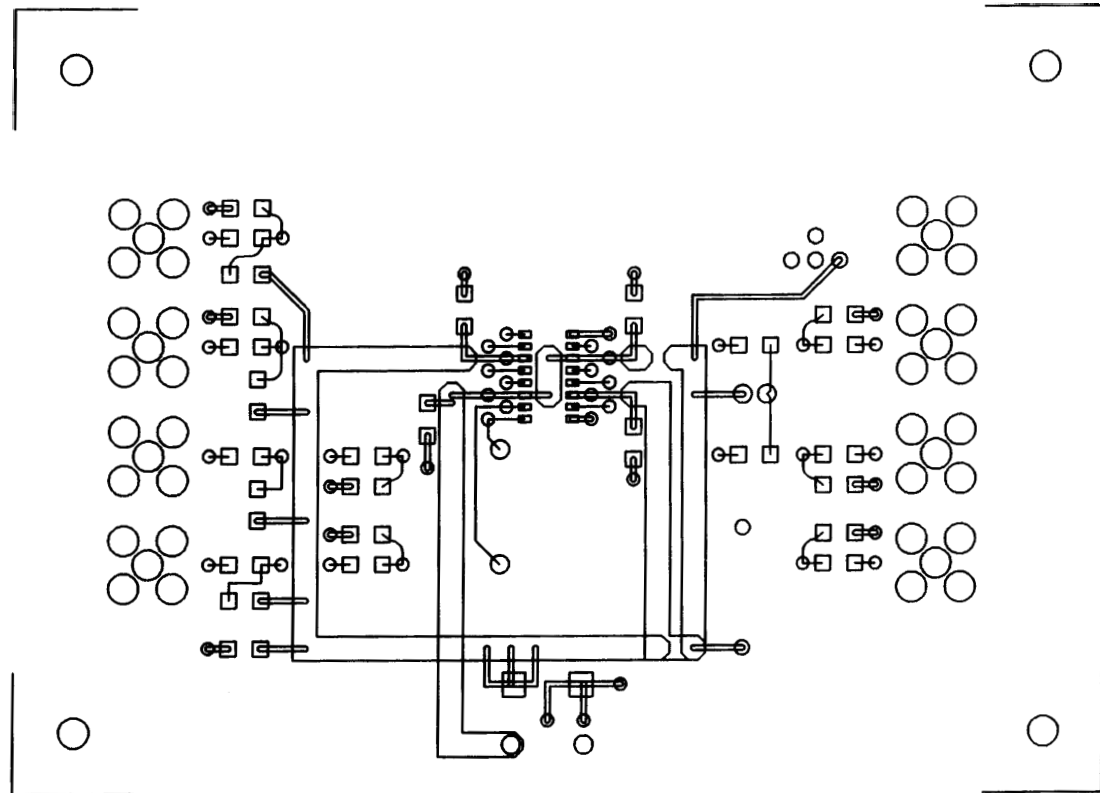


Figure 7. Evaluation Board: Solder Side

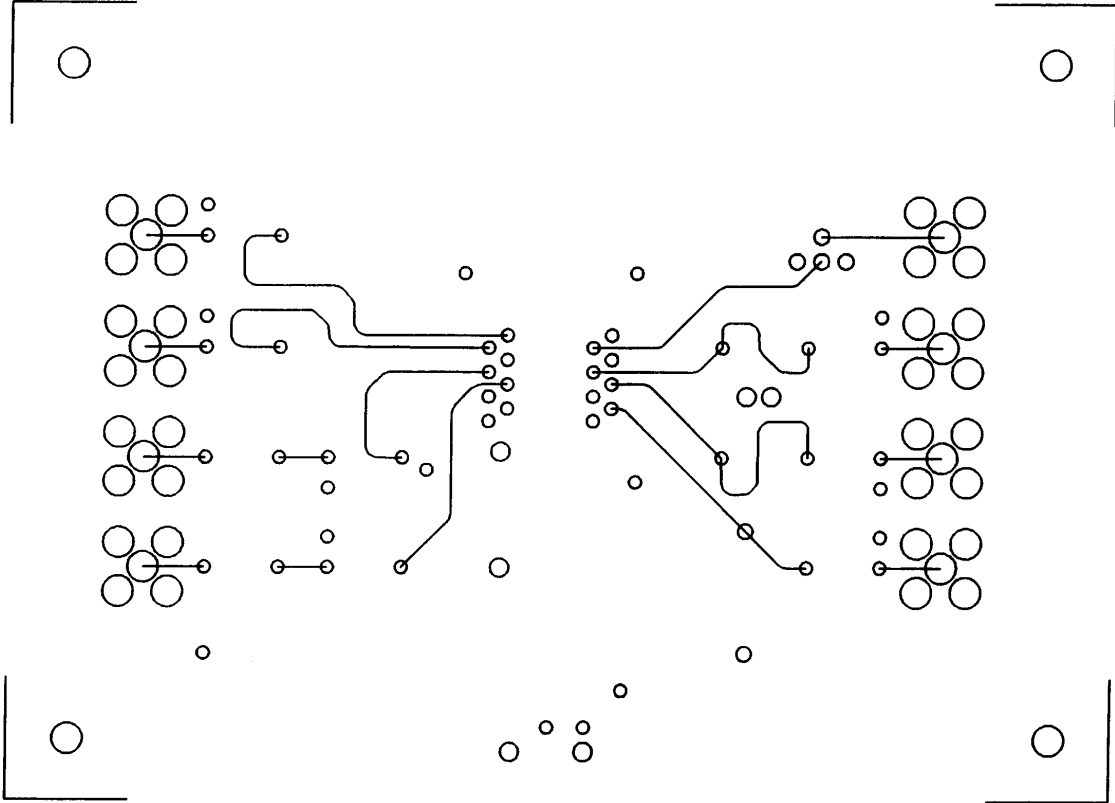
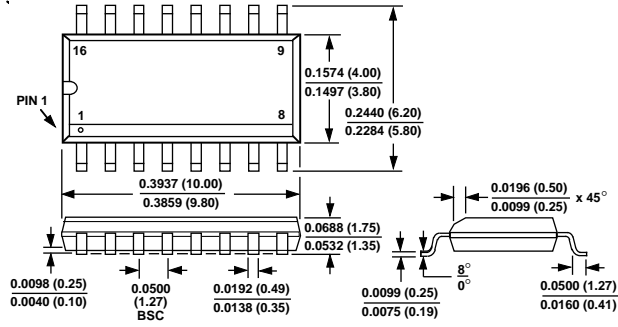


Figure 8. Evaluation Board: INT2

OUTLINE DIMENSIONS

Dimensions shown in inches and (mm).

16-Lead Small Outline IC Package  
(R-16A)





Компания «Океан Электроники» предлагает заключение долгосрочных отношений при поставках импортных электронных компонентов на взаимовыгодных условиях!

Наши преимущества:

- Поставка оригинальных импортных электронных компонентов напрямую с производств Америки, Европы и Азии, а так же с крупнейших складов мира;
- Широкая линейка поставок активных и пассивных импортных электронных компонентов (более 30 млн. наименований);
- Поставка сложных, дефицитных, либо снятых с производства позиций;
- Оперативные сроки поставки под заказ (от 5 рабочих дней);
- Экспресс доставка в любую точку России;
- Помощь Конструкторского Отдела и консультации квалифицированных инженеров;
- Техническая поддержка проекта, помощь в подборе аналогов, поставка прототипов;
- Поставка электронных компонентов под контролем ВП;
- Система менеджмента качества сертифицирована по Международному стандарту ISO 9001;
- При необходимости вся продукция военного и аэрокосмического назначения проходит испытания и сертификацию в лаборатории (по согласованию с заказчиком);
- Поставка специализированных компонентов военного и аэрокосмического уровня качества (Xilinx, Altera, Analog Devices, Intersil, Interpoint, Microsemi, Actel, Aeroflex, Peregrine, VPT, Syfer, Eurofarad, Texas Instruments, MS Kennedy, Miteq, Cobham, E2V, MA-COM, Hittite, Mini-Circuits, General Dynamics и др.);

Компания «Океан Электроники» является официальным дистрибьютором и эксклюзивным представителем в России одного из крупнейших производителей разъемов военного и аэрокосмического назначения «JONHON», а так же официальным дистрибьютором и эксклюзивным представителем в России производителя высокотехнологичных и надежных решений для передачи СВЧ сигналов «FORSTAR».



## JONHON

«JONHON» (основан в 1970 г.)

Разъемы специального, военного и аэрокосмического назначения:

(Применяются в военной, авиационной, аэрокосмической, морской, железнодорожной, горно- и нефтедобывающей отраслях промышленности)

«FORSTAR» (основан в 1998 г.)

ВЧ соединители, коаксиальные кабели, кабельные сборки и микроволновые компоненты:

(Применяются в телекоммуникациях гражданского и специального назначения, в средствах связи, РЛС, а так же военной, авиационной и аэрокосмической отраслях промышленности).



Телефон: 8 (812) 309-75-97 (многоканальный)

Факс: 8 (812) 320-03-32

Электронная почта: [ocean@oceanchips.ru](mailto:ocean@oceanchips.ru)

Web: <http://oceanchips.ru/>

Адрес: 198099, г. Санкт-Петербург, ул. Калинина, д. 2, корп. 4, лит. А