

AS1382

1A, High Efficiency, DC-DC Step Down Converter

General Description

The AS1382 is a high-efficiency, constant-frequency synchronous buck converter available in adjustable- and fixed-voltage versions. The wide input voltage range (2.7V to 5.5V), automatic powersave mode and minimal external component requirements make the AS1382 perfect for any single Li-Ion battery-powered application.

Typical supply current with no load is 95 μ A and decreases to 0.04 μ A in shutdown mode.

An internal synchronous switch increases efficiency and eliminates the need for an external Schottky diode. The internally fixed switching frequency (2MHz, 3MHz or 4MHz) allows the usage of small surface mount external components.

Very low output voltages can be delivered with the internal 0.58V feedback reference voltage.

The AS1382 is available in a 6-pin WL-CSP package.

Ordering Information and Content Guide appear at end of datasheet.

Key Benefits & Features

The benefits and features of this device are listed below:

Figure 1:
Added Value of Using AS1382

| Benefits | Features |
|--|---|
| <ul style="list-style-type: none"> • Ideal for single Li-Ion battery powered applications | <ul style="list-style-type: none"> • Wide input voltage range (2.7V to 5.5V) |
| <ul style="list-style-type: none"> • Extended battery life | <ul style="list-style-type: none"> • High efficiency up to 96% |
| <ul style="list-style-type: none"> • Supports a variety of end applications | <ul style="list-style-type: none"> • Output voltage range (0.58V to 3.35V) • Output current of 1A • Switching frequency: 2MHz, 3MHz, 4MHz • High efficiency/low noise operation |
| <ul style="list-style-type: none"> • Over – temperature protection and shutdown | <ul style="list-style-type: none"> • Integrated temperature monitoring |
| <ul style="list-style-type: none"> • Cost effective, small package | <ul style="list-style-type: none"> • WL-CSP6 with 0.4mm pitch |

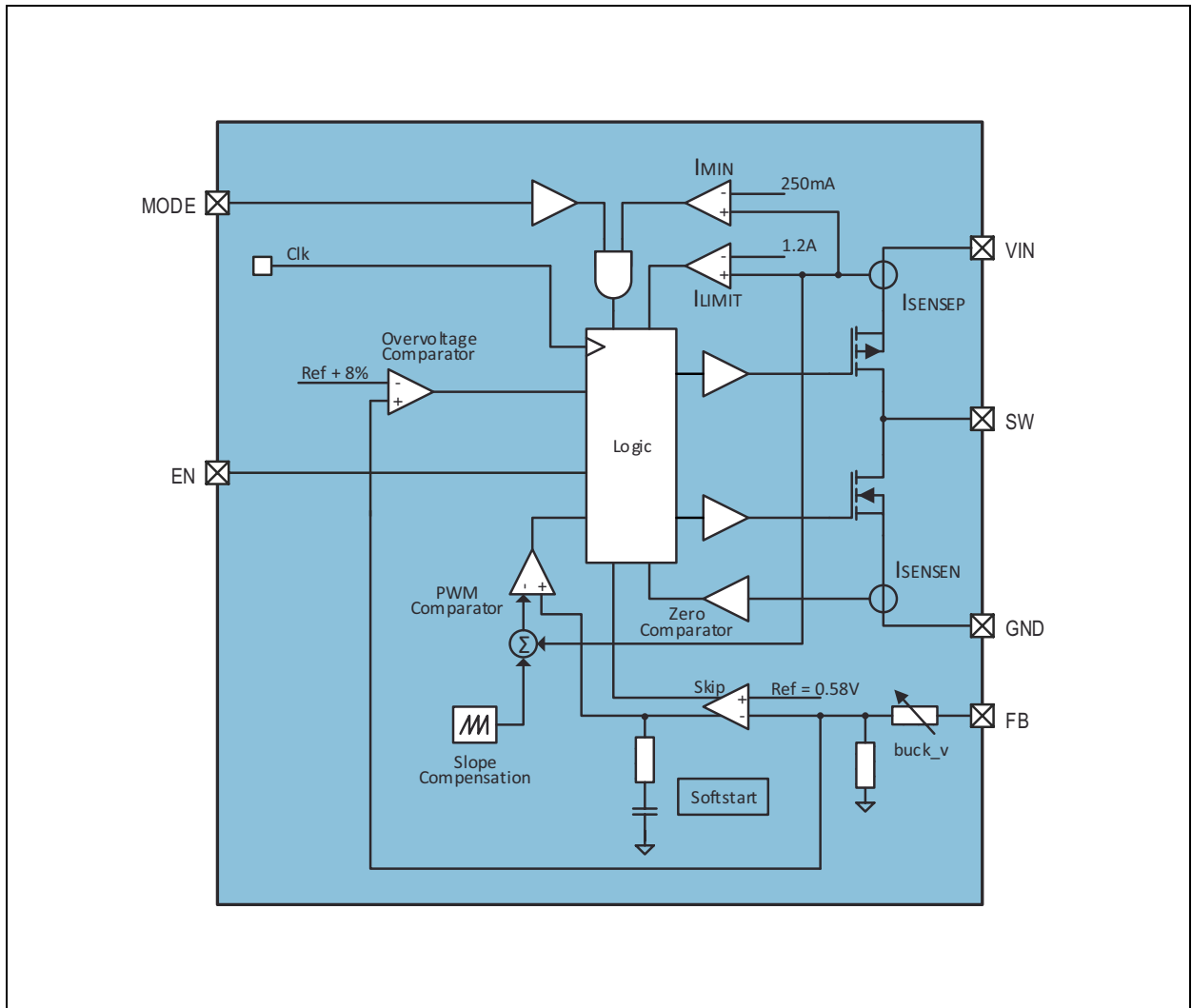
Applications

The device is ideal for mobile communication devices, laptops and PDAs, ultra-low-power systems, medical instruments, or any other space-limited application with low power-consumption requirements.

Block Diagram

The functional blocks of this device are shown below:

Figure 2:
Functional Blocks of AS1382



Block Diagram: Shows the detailed Block Diagram of the AS1382 Step Down DCDC Converter

Pin Assignments

Figure 3:
6 Balls WL-CSP with 0.4mm Pitch

Ball Assignments: Shows the TOP view ball assignment of the AS1382.

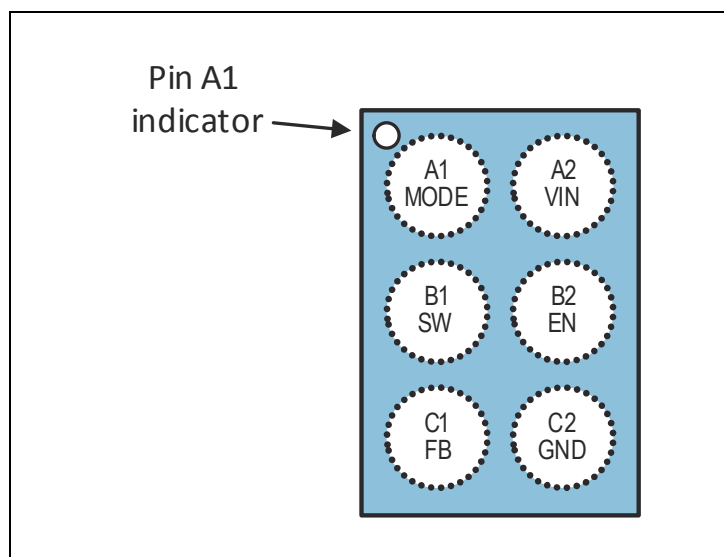


Figure 4:
Pin Description

| Pin # | Pin Name | Pin Type | Description |
|-------|----------|----------|--|
| A1 | MODE | DIG IN | Mode Selection |
| B1 | SW | DIG OUT | Switch Node Connection to Coil. This pin connects to the drains of the internal synchronous power MOSFET switches. |
| C1 | FB | ANA IN | Feedback Pin. This pin receives the feedback voltage from the external resistor divider across the output. (Adjustable variant only) |
| | | | Output Voltage Feedback Pin. An internal resistor divider steps the output voltage down for comparison to the internal reference voltage. (Fixed voltage variants only) |
| A2 | VIN | SUP IN | Input Supply Voltage. This pin must be closely de-coupled to GND with a $\geq 4.7\mu\text{F}$ ceramic capacitor. Connect to any supply voltage between 2.7V to 5.5V. ⁽¹⁾ |
| B2 | EN | DIG IN | Enable Input. Driving this pin above 1.2V enables the device. Driving this pin below 0.4V puts the device in shutdown mode. In shutdown mode all functions are disabled while SW goes high impedance, drawing $< 1\mu\text{A}$ supply current. ⁽¹⁾ |
| C2 | GND | GND | Ground |

Pin Description: Shows the pin number, type, name and description of every pin.

Note(s):

1. This pin should not be left floating.

Absolute Maximum Ratings

Stresses beyond those listed under [Absolute Maximum Ratings](#) may cause permanent damage to the device. These are stress ratings only. Functional operation of the device at these or any other conditions beyond those indicated under [Electrical Characteristics](#) is not implied. Exposure to absolute maximum rating conditions for extended periods may affect device reliability.

Figure 5:
Absolute Maximum Ratings

| Symbol | Parameter | Min | Max | Units | Comments |
|---|--|---------|------|--------------------|--|
| Electrical Parameters | | | | | |
| V_{GND} | Supply Voltage to Ground 5V pins | -0.5 | 7.0 | V | Applicable for pins VIN, EN, MODE, FB, SW |
| | Input Current (latch-up immunity) | -100 | 100 | mA | Norm: JEDEC JESD78 |
| Continuous Power Dissipation ($T_A = 70^\circ\text{C}$) | | | | | |
| P_T | Continuous power dissipation | | 0.55 | W | $P_T^{(1)}$ for WL-CSP6 package ($R_{THJA} \sim 95\text{K/W}$) |
| Electrostatic Discharge | | | | | |
| ESD_{HBM} | Electrostatic Discharge HBM | ± 2 | | kV | Norm: JEDEC JESD22-A114F |
| Temperature Ranges and Storage Conditions | | | | | |
| T_A | Operating Temperature | -40 | 85 | $^\circ\text{C}$ | |
| R_{THJA} | Junction to Ambient Thermal Resistance | | 95 | $^\circ\text{C/W}$ | |
| T_J | Junction Temperature | | 125 | $^\circ\text{C}$ | |
| T_{STRG} | Storage Temperature Range | -55 | 125 | $^\circ\text{C}$ | |
| T_{BODY} | Package Body Temperature | | 260 | $^\circ\text{C}$ | Norm: IPC/JEDEC J-STD-020 ⁽²⁾ |
| RH_{NC} | Relative Humidity non-condensing | 5 | 85 | % | |
| MSL | Moisture Sensitivity Level | 1 | | | Represents an unlimited floor life time |

Note(s):

1. Depending on actual PCB layout and PCB used
2. The reflow peak soldering temperature (body temperature) is specified according IPC/JEDEC J-STD-020 "Moisture/Reflow Sensitivity Classification for Nonhermetic Solid State Surface Mount Devices"

Electrical Characteristics

All limits are guaranteed. The parameters with min and max values are guaranteed with production tests or SQC (Statistical Quality Control) methods.

Figure 6:
Electrical Characteristics

| Symbol | Parameter | Note | Min | Typ | Max | Unit |
|-----------------|---|----------------------------------|--------|------|------|----------|
| V_{IN} | Input Voltage | Pin VIN | 2.7 | | 5.5 | V |
| I_{SUP_DCDC} | Current Consumption | Operating Current without Load | | 95 | | μ A |
| | | Shutdown Current | | 0.04 | | |
| I_{FB} | Feedback Current | $T_{AMB} = 25^{\circ}C$ | | 1 | 30 | nA |
| V_{FB} | Feedback Voltage | ADJ variant | 0.56 | 0.58 | 0.60 | V |
| V_{OUT} | Regulated Output Voltage | Fixed V_{OUT} variant | 0.6125 | | 3.35 | V |
| | | ADJ variant | 0.58 | | 3.35 | V |
| V_{OUT_TOL} | Output Voltage Tolerance | Fixed output variants, min. 40mV | -3 | | 3 | % |
| η_{EFF} | Efficiency | see figures below | | | 96 | % |
| LNR | Output Voltage Line Regulation | $V_{in} = 2.7V$ to $5.5V$ | | 0.1 | | %/V |
| LDR | Output Voltage Load Regulation | $I_{OUT} = 0$ to $100mA$ | | 0.02 | | %/mA |
| I_{LIMIT} | Peak Coil Current | $I_{OUT} = 1A$ | | 1.5 | | A |
| I_{LOAD} | Load Current | $V_{OUT} \leq 1.8V$ | 0 | | 1 | A |
| | | $V_{OUT} > 1.8V$ | 0 | | 0.7 | A |
| I_{T_COMP} | Min load to guarantee correct output voltage in high temp | | | 20 | | μ A |
| R_{PMOS} | P-Channel FET $R_{DS(ON)}$ ⁽¹⁾ | $I_{LSW} = 100mA$ | | 0.25 | 0.55 | Ω |
| R_{NMOS} | N-Channel FET $R_{DS(ON)}$ ⁽¹⁾ | $I_{LSW} = -100mA$ | | 0.25 | 0.55 | Ω |
| V_{IH} | Logic in threshold | pin EN, MODE | 1.2 | | | V |
| V_{IL} | | | | | 0.4 | V |
| f_{SW} | Switching Frequency | Variant A | | 4 | | MHz |
| | | Variant B | | 3 | | MHz |
| | | Variant C | | 2 | | MHz |

| Symbol | Parameter | Note | Min | Typ | Max | Unit |
|--------------------------|-----------------------------|------|-----|-----|-----|------|
| T_{SHDN} | Thermal Shutdown | | | 160 | | °C |
| ΔT_{SHDN} | Thermal Shutdown Hysteresis | | | 25 | | °C |

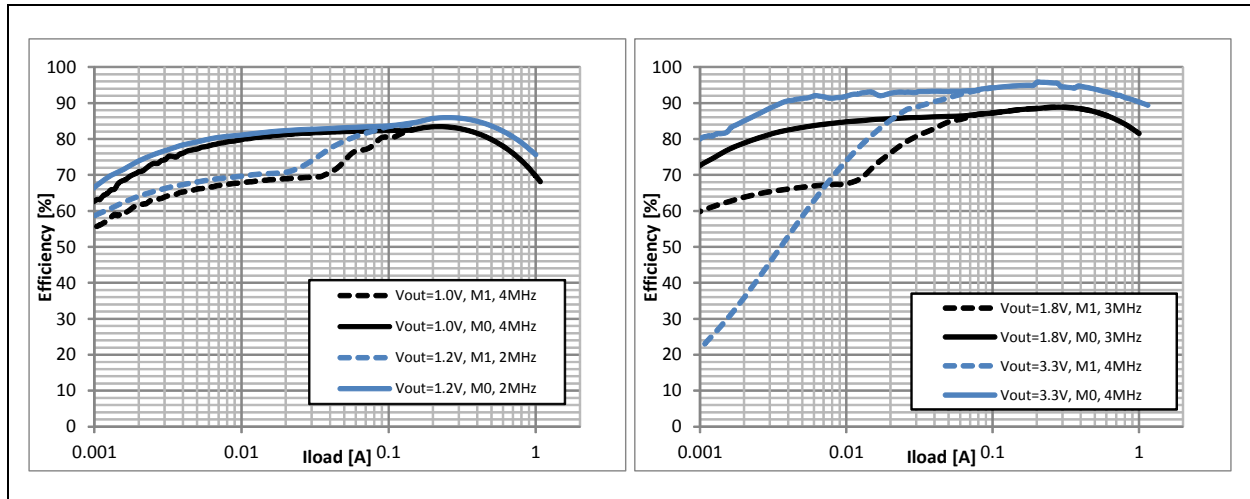
Electrical Characteristics: Shows the Electrical Characteristics of the DCDC Converter. $V_{\text{IN}} = \text{EN} = 3.7\text{V}$,
 $V_{\text{OUT}} < V_{\text{IN}} - 0.5\text{V}$, $T_{\text{AMB}} = -40$ to 85°C (unless otherwise specified)

Note(s):

1. Guaranteed per design

Typical Operating Characteristics

Figure 7:
Efficiency vs. Output Current for Various Output Voltages



Efficiency vs. Output Current: These figures show the Efficiency vs. Output Current for various Output Voltages. $V_{IN} = 3.6V$, $T_{AMB} = 25^{\circ}C$. Murata LQM2HPN1R0MG0 coil (1uH, DCR 55mΩ).

Figure 8:
Efficiency vs. Output Current for Various Input Voltages

Efficiency vs. Output Current: These figures show the Efficiency vs. Output Current for various Input Voltages. $V_{OUT} = 1.0V$, $T_{AMB} = 25^{\circ}C$, 4MHz. Murata LQM2HPN1R0MG0 coil (1uH, DCR 55mΩ).

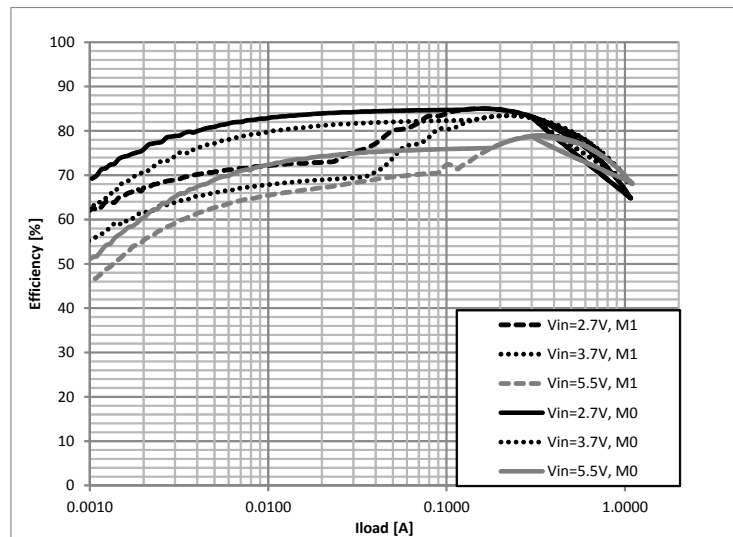
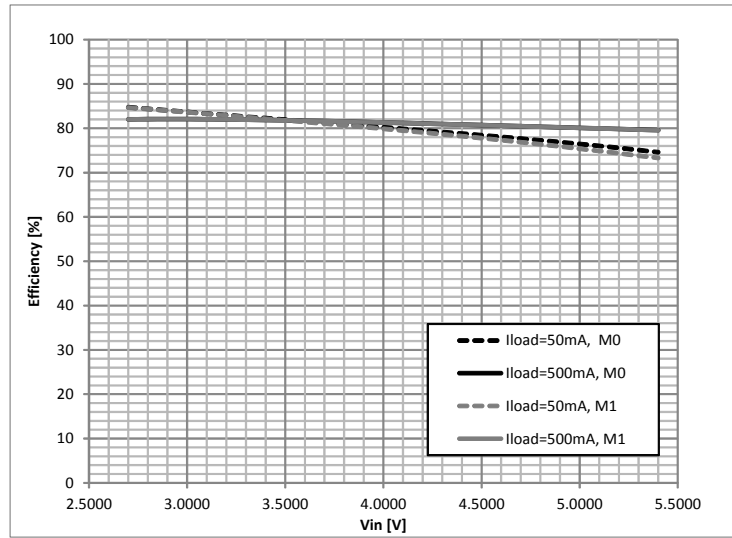


Figure 9:
Efficiency vs. Input Voltage for Various Load Currents

Efficiency vs. Input Voltage: These figures show the Efficiency vs. Input Voltage for various Load Currents. $V_{OUT} = 1.2V$, $T_{AMB} = 25^{\circ}C$, 2MHz. Murata LQM2HPN1R0MG0 coil (1uH, DCR 55mΩ).



Detailed Description

The step-down converter is a high efficiency fixed frequency current mode regulator. By using low resistance internal PMOS and NMOS switches efficiency up to 96% can be achieved. The fast switching frequency allows using small inductors, without increasing the current ripple. The unique feedback and regulation circuit guarantees optimum load and line regulation over the whole output voltage range, up to an output current of 1A with an output capacitor of only 10 μ F. The implemented current limitation protects the DCDC and the coil during overload condition.

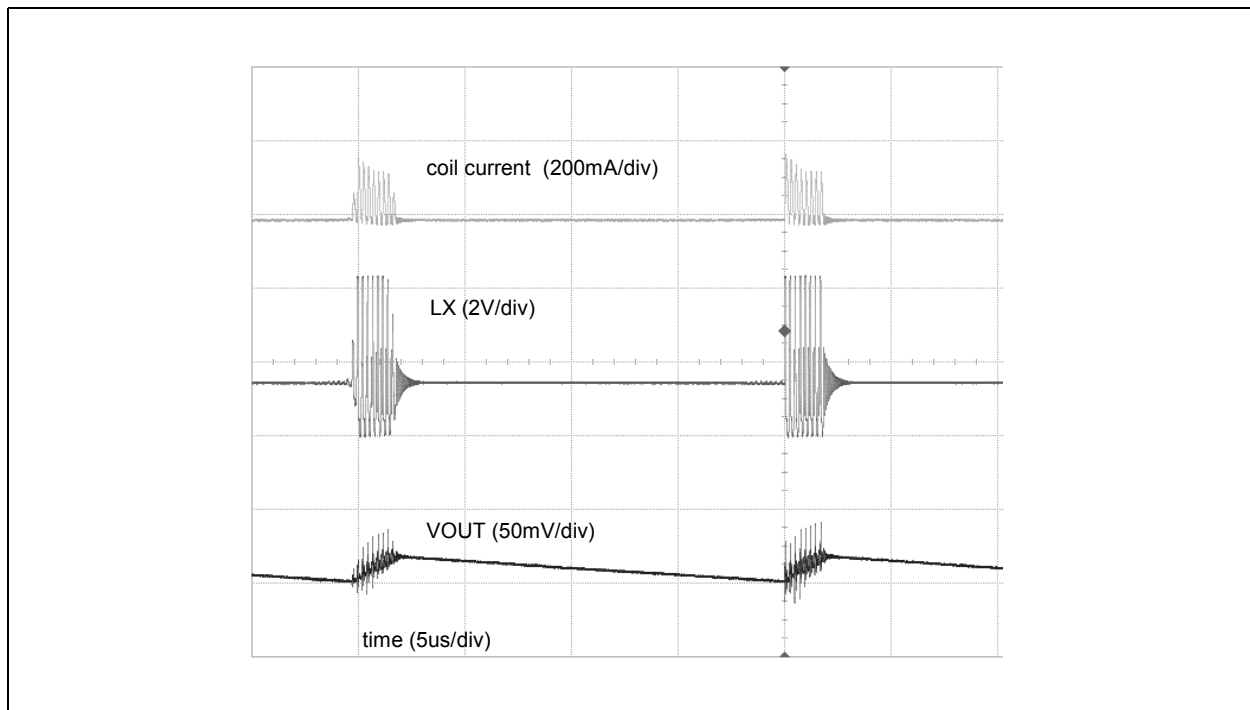
Mode Settings

Low-Ripple, Low-Noise Operation

MODE pin = high

In this mode there is no minimum coil current necessary before switching OFF the PMOS. As result, the ON time of the PMOS will be reduced down to t_{min_on} at no or light load conditions, even if the coil current is very small or the coil current is inverted. This results in a very low ripple and noise, but decreased efficiency, at light loads, especially at low input to output voltage differences. Because of the inverted coil current in that case the regulator will not operate in pulse skip mode.

Figure 10:
AS1382 Low Noise Mode



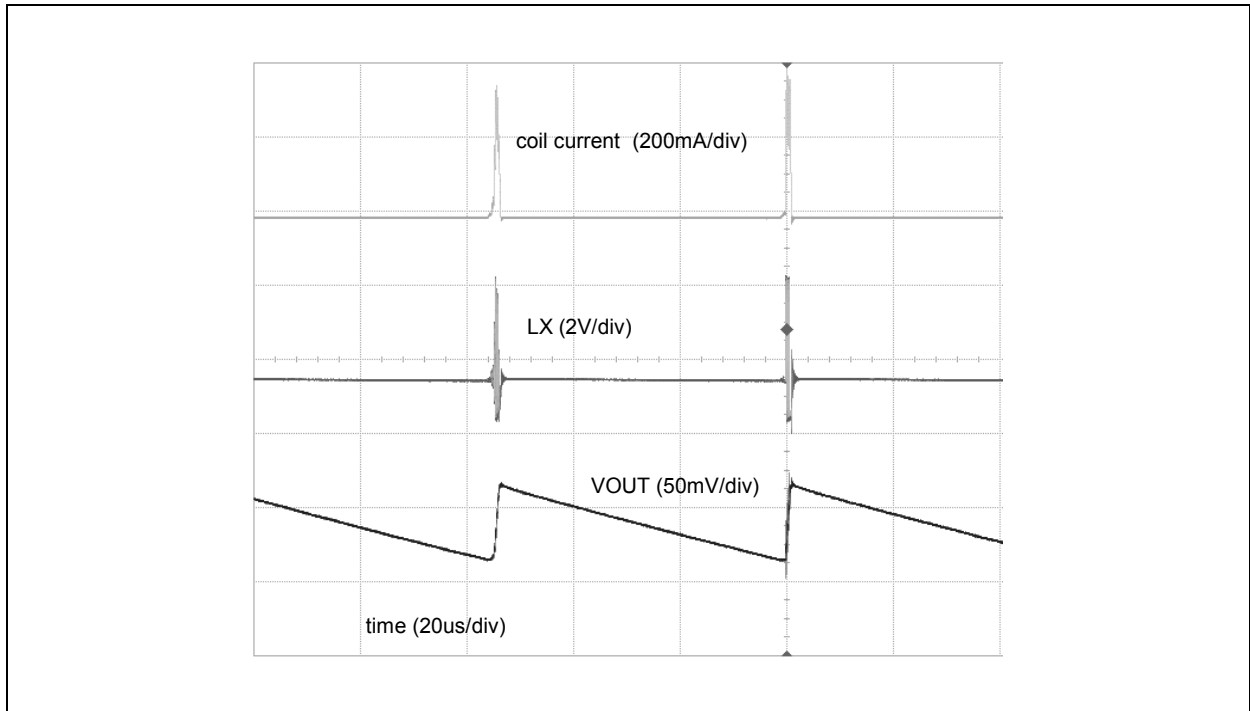
DC/DC Buck Burst Mode: Shows the DC/DC switching waveforms for low noise operation

High-Efficiency Operation

MODE pin = low

In this mode there is a minimum coil current necessary before switching OFF the PMOS. As result there are less pulses at low output load necessary, and therefore the efficiency at low output load is increased. This results in higher ripple, and noisy pulse skip operation up to a higher output current.

Figure 11:
AS1382 High Efficiency Mode



DC/DC Buck Burst Mode: Shows the DC/DC switching waveforms for high efficiency operation

It is also possible to switch between these two modes during operation.

For Example:

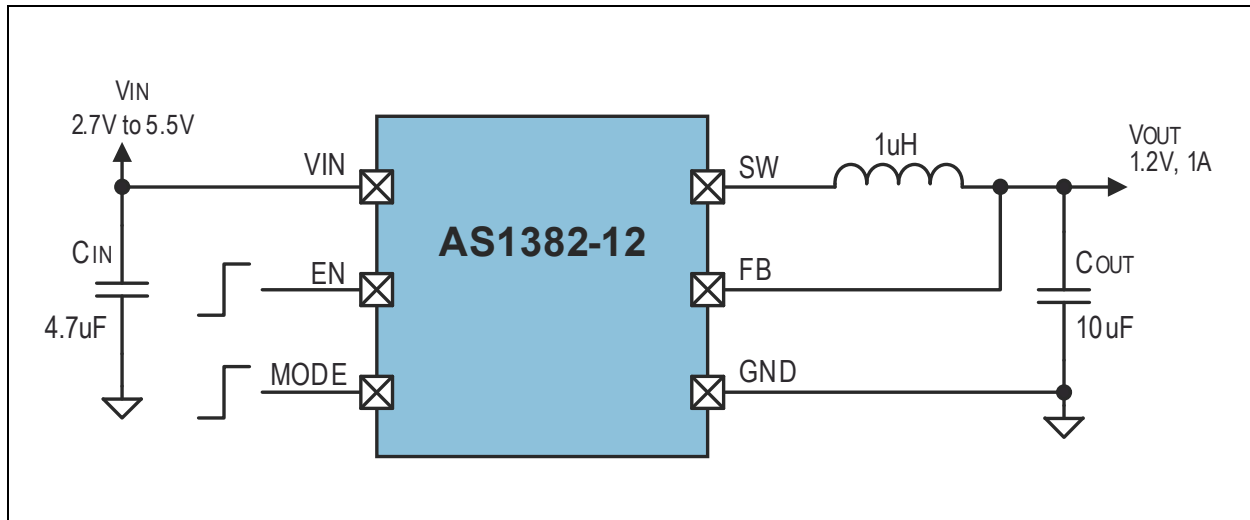
MODE pin = low: System is in idle state. No audio, RF signal. Decreased supply current preferred. Increased ripple doesn't affect system performance.

MODE pin = high: System is operating. Audio signal on and/or RF signal used. Decreased ripple and noise preferred. Increased power supply current can be tolerated.

Application Information

The AS1382 is perfect for mobile communications equipment like cell phones and smart phones, digital cameras and camcorders, portable MP3 and DVD players, PDA's and palmtop computers and any other handheld instruments.

Figure 12:
Typical Application Circuit



Typical Application: This figure shows the typical application of the DCDC Step Down Converter.

External Components

Inductors

Figure 13:
Recommended Inductors

| Part Number | L | DCR | Current Rating | Dimensions (L/W/H) | Manufacturer |
|---------------|-----|------|----------------|--------------------|--|
| XFL4020-102 | 1uH | 12mΩ | 4.5A | 4.3/4.3/2.1 | www.coilcraft.com |
| LQM2HPN1R0MG0 | 1uH | 55mΩ | 1.6A | 2.5/2.0/0.9 | www.murata.com |

Ceramic Input and Output Capacitors

When choosing ceramic capacitors for C_{IN} and C_{OUT} , the X5R or X7R dielectric formulations are recommended. These dielectrics have the best temperature and voltage characteristics for a given value and size. Y5V and Z5U dielectric capacitors, aside from their wide variation in capacitance over temperature, become resistive at high frequencies and therefore should not be used.

Figure 14:
Recommended Input and Output Capacitors

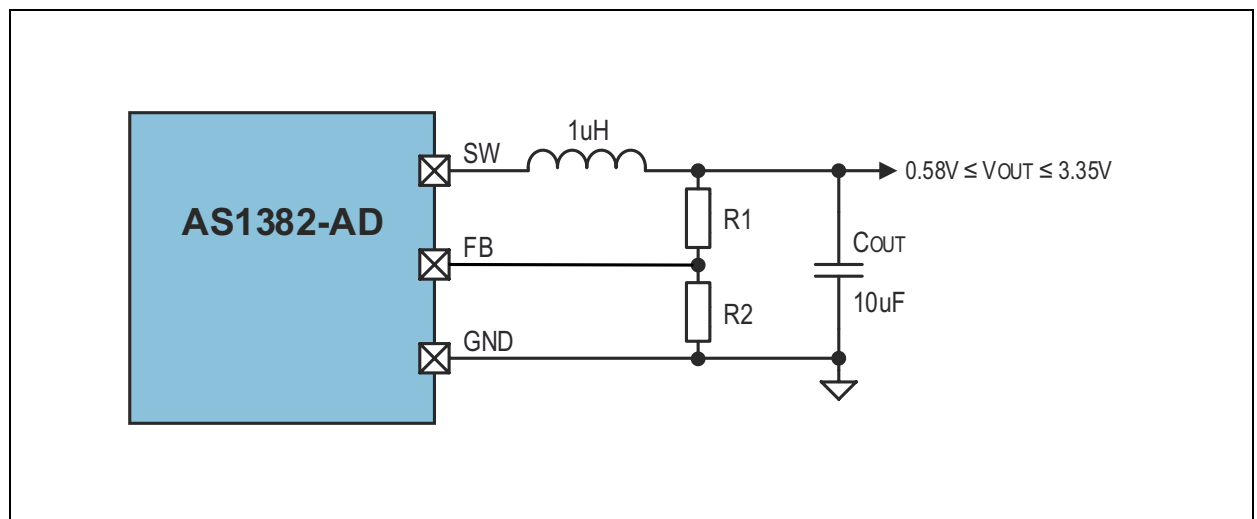
| Part Number | C | TC Code | Voltage Rating | Dimensions (L/W/H) | Manufacturer |
|--------------------|-------------|---------|----------------|--------------------|--|
| GRM21BR61E475KA12L | 4.7 μ F | X5R | 25V | 0805 | www.murata.com |
| GRM219R60J106KE19D | 10 μ F | X5R | 6.3V | 0805 | www.murata.com |

Because ceramic capacitors lose a lot of their initial capacitance at their maximum rated voltage, it is recommended that either a higher input capacity or a capacitance with a higher rated voltage is used.

Feedback Resistor Selection

In the AS1382-AD, the output voltage is set by an external resistor divider connected to FB. This circuitry allows for remote voltage sensing and adjustment.

Figure 15:
Adjustable Variant



AS1382-AD: Shows the application diagram for the adjustable output version with the external resistor divider

The Resistor values for the circuit shown above can be calculated with the following equation:

$$(EQ1) \quad V_{OUT} = V_{FB} \times \left[1 + \frac{R_1}{R_2} \right]$$

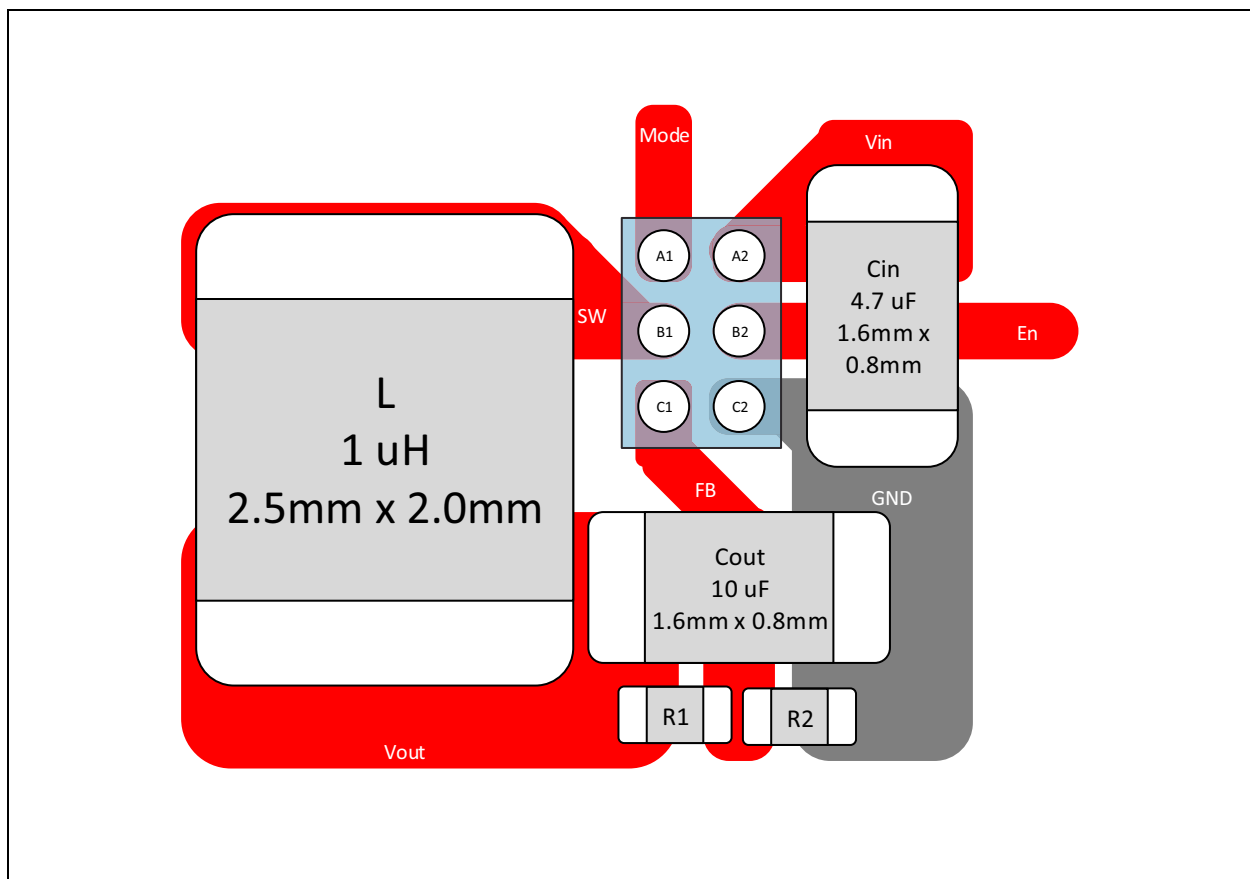
The output voltage can be adjusted by selecting different values for R1 and R2. For R2 a value between 10kΩ and 50kΩ is recommended. To minimize current to FB pin it is recommended to keep sum of R1 and R2 below 100 kΩ. It is also recommended to keep V_{IN} 500mV higher than V_{OUT}.

An optional feedback capacitor (C_{FB}) can be added in parallel with R1 to reduce output ripple. Typical value for the C_{FB} is below 300pF

PCB Layout

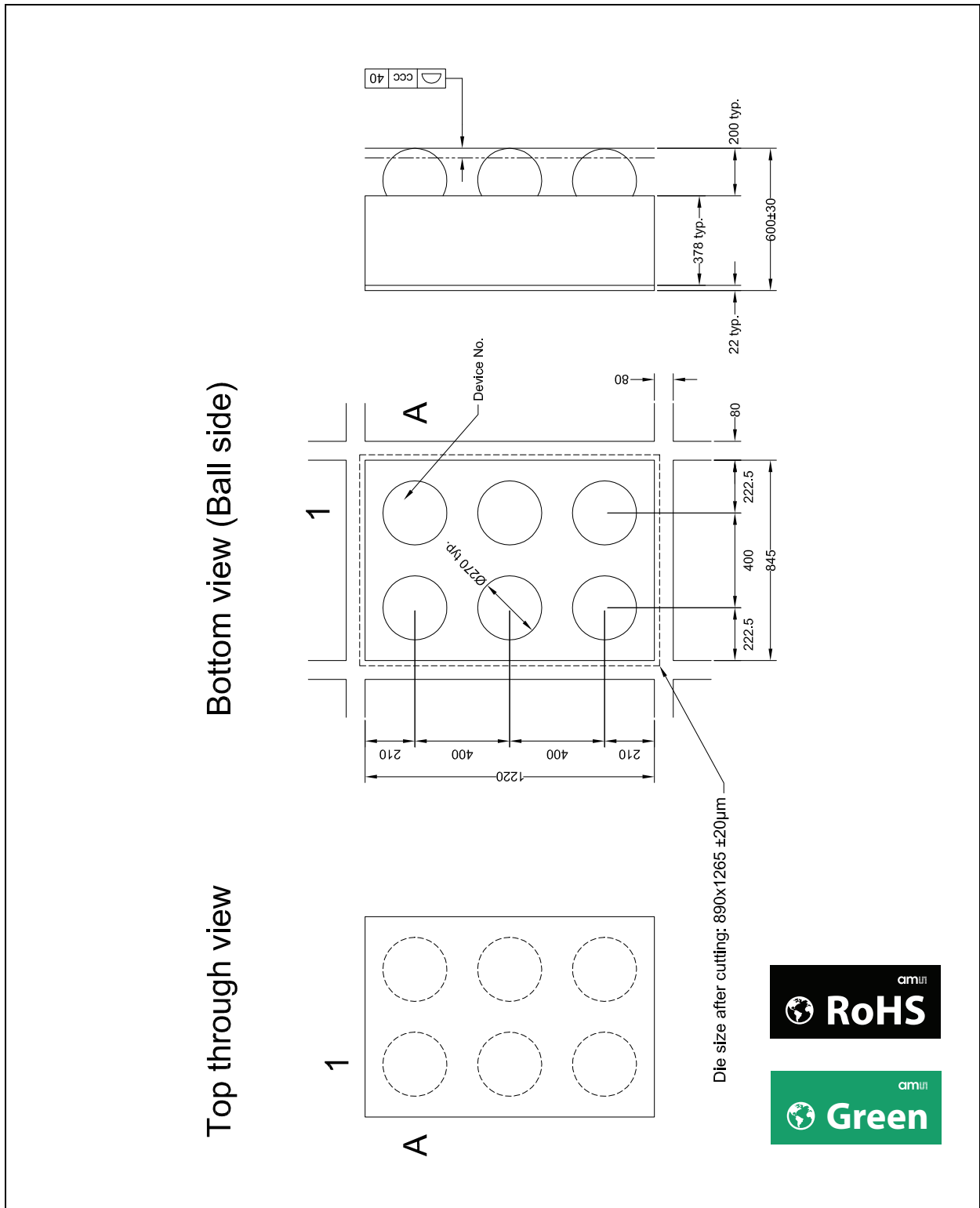
Long printed circuit tracks can generate additional ripple and noise that mask correct operation and prove difficult to “de-bug” during production testing. Thus the input loop formed by C_{IN}, V_{IN} and GND pins should be minimized. Similarly, the output loop formed by C_{OUT}, V_{OUT} and GND should also be minimized. Figure 16 shows a PCB layout example for the AS1382.

Figure 16:
PCB Layout Example For The Adjustable Variant



Package Drawings & Markings

Figure 17:
6 Balls WL-CSP With 0.4mm Pitch



Note(s):

1. Pin 1 = A1
2. ccc Coplanarity
3. All dimensions are in μm

Figure 18:
WL-CSP Marking

AS1382 Marking: Shows the package marking of the WL-CSP product version

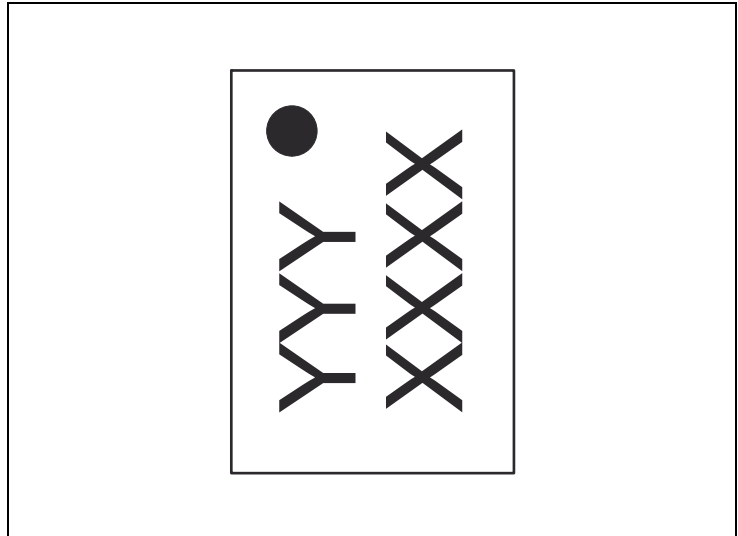


Figure 19:
Package Code

| YYY | XXXX |
|--------------|-----------|
| Marking code | Tracecode |

AS1382 Package Code: Shows the package code of the WL-CSP product version

Ordering & Contact Information

Figure 20:
Ordering Information

| Ordering Code | Marking | Output | Description | Delivery Form | Package |
|--------------------------------|---------|------------|--|---------------|--------------|
| AS1382-BWLT-ES | ABZ | | Manually programmed engineering sample | T & R | 6-pin WL-CSP |
| AS1382C-BWLT-AD | AA6 | Adjustable | 2MHz, 1A Synchronous DCDC Converter | T & R | 6-pin WL-CSP |
| AS1382A-BWLT-AD | ACD | Adjustable | 4MHz, 1A Synchronous DCDC Converter | T & R | 6-pin WL-CSP |
| AS1382A-BWLT-10 ⁽¹⁾ | AA7 | 1.0V | 4MHz, 1A Synchronous DCDC Converter | T & R | 6-pin WL-CSP |
| AS1382A-BWLT-12 ⁽¹⁾ | ABW | 1.2V | 4MHz, 1A Synchronous DCDC Converter | T & R | 6-pin WL-CSP |
| AS1382A-BWLT-15 ⁽¹⁾ | ABX | 1.5V | 4MHz, 1A Synchronous DCDC Converter | T & R | 6-pin WL-CSP |
| AS1382C-BWLT-18 | ABY | 1.8V | 2MHz, 1A Synchronous DCDC Converter | T & R | 6-pin WL-CSP |

Ordering Information: Specifies the available variants of the AS1382

Note(s):

1. Available upon request

Buy our products or get free samples online at:
www.ams.com/ICdirect

Technical Support is available at:
www.ams.com/Technical-Support

Provide feedback about this document at:
www.ams.com/Document-Feedback

For further information and requests, e-mail us at:
ams_sales@ams.com

For sales offices, distributors and representatives, please visit:
www.ams.com/contact

Headquarters

ams AG
Tobelbader Strasse 30
8141 Premstaetten
Austria, Europe

Tel: +43 (0) 3136 500 0

Website: www.ams.com

RoHS Compliant & ams Green Statement

RoHS: The term RoHS compliant means that ams AG products fully comply with current RoHS directives. Our semiconductor products do not contain any chemicals for all 6 substance categories, including the requirement that lead not exceed 0.1% by weight in homogeneous materials. Where designed to be soldered at high temperatures, RoHS compliant products are suitable for use in specified lead-free processes.

ams Green (RoHS compliant and no Sb/Br): ams Green defines that in addition to RoHS compliance, our products are free of Bromine (Br) and Antimony (Sb) based flame retardants (Br or Sb do not exceed 0.1% by weight in homogeneous material).

Important Information: The information provided in this statement represents ams AG knowledge and belief as of the date that it is provided. ams AG bases its knowledge and belief on information provided by third parties, and makes no representation or warranty as to the accuracy of such information. Efforts are underway to better integrate information from third parties. ams AG has taken and continues to take reasonable steps to provide representative and accurate information but may not have conducted destructive testing or chemical analysis on incoming materials and chemicals. ams AG and ams AG suppliers consider certain information to be proprietary, and thus CAS numbers and other limited information may not be available for release.

Copyrights & Disclaimer

Copyright ams AG, Tobelbader Strasse 30, 8141 Premstaetten, Austria-Europe. Trademarks Registered. All rights reserved. The material herein may not be reproduced, adapted, merged, translated, stored, or used without the prior written consent of the copyright owner.

Devices sold by ams AG are covered by the warranty and patent indemnification provisions appearing in its General Terms of Trade. ams AG makes no warranty, express, statutory, implied, or by description regarding the information set forth herein. ams AG reserves the right to change specifications and prices at any time and without notice. Therefore, prior to designing this product into a system, it is necessary to check with ams AG for current information. This product is intended for use in commercial applications. Applications requiring extended temperature range, unusual environmental requirements, or high reliability applications, such as military, medical life-support or life-sustaining equipment are specifically not recommended without additional processing by ams AG for each application. This product is provided by ams AG "AS IS" and any express or implied warranties, including, but not limited to the implied warranties of merchantability and fitness for a particular purpose are disclaimed.

ams AG shall not be liable to recipient or any third party for any damages, including but not limited to personal injury, property damage, loss of profits, loss of use, interruption of business or indirect, special, incidental or consequential damages, of any kind, in connection with or arising out of the furnishing, performance or use of the technical data herein. No obligation or liability to recipient or any third party shall arise or flow out of ams AG rendering of technical or other services.

Document Status

| Document Status | Product Status | Definition |
|--------------------------|-----------------|--|
| Product Preview | Pre-Development | Information in this datasheet is based on product ideas in the planning phase of development. All specifications are design goals without any warranty and are subject to change without notice |
| Preliminary Datasheet | Pre-Production | Information in this datasheet is based on products in the design, validation or qualification phase of development. The performance and parameters shown in this document are preliminary without any warranty and are subject to change without notice |
| Datasheet | Production | Information in this datasheet is based on products in ramp-up to full production or full production which conform to specifications in accordance with the terms of ams AG standard warranty as given in the General Terms of Trade |
| Datasheet (discontinued) | Discontinued | Information in this datasheet is based on products which conform to specifications in accordance with the terms of ams AG standard warranty as given in the General Terms of Trade, but these products have been superseded and should not be used for new designs |

Revision Information

| Changes from 1-04 (2015-Jun-19) to current revision 1-05 (2016-Oct-25) | Page |
|--|------|
| Updated Figure 6 and added note below | 5 |
| Updated Equation 1 | 13 |

Note(s):

1. Page and figure numbers for the previous version may differ from page and figure numbers in the current revision.
2. Correction of typographical errors is not explicitly mentioned.

Content Guide

| | |
|-----------|---|
| 1 | General Description |
| 1 | Key Benefits & Features |
| 1 | Applications |
| 2 | Block Diagram |
| 3 | Pin Assignments |
| 4 | Absolute Maximum Ratings |
| 5 | Electrical Characteristics |
| 6 | Typical Operating Characteristics |
| 8 | Detailed Description |
| 8 | Mode Settings |
| 8 | Low-Ripple, Low-Noise Operation |
| 9 | High-Efficiency Operation |
| 10 | Application Information |
| 10 | External Components |
| 10 | Inductors |
| 11 | Ceramic Input and Output Capacitors |
| 11 | Feedback Resistor Selection |
| 12 | PCB Layout |
| 13 | Package Drawings & Markings |
| 15 | Ordering & Contact Information |
| 16 | RoHS Compliant & ams Green Statement |
| 17 | Copyrights & Disclaimer |
| 18 | Document Status |
| 19 | Revision Information |

Компания «Океан Электроники» предлагает заключение долгосрочных отношений при поставках импортных электронных компонентов на взаимовыгодных условиях!

Наши преимущества:

- Поставка оригинальных импортных электронных компонентов напрямую с производств Америки, Европы и Азии, а так же с крупнейших складов мира;
- Широкая линейка поставок активных и пассивных импортных электронных компонентов (более 30 млн. наименований);
- Поставка сложных, дефицитных, либо снятых с производства позиций;
- Оперативные сроки поставки под заказ (от 5 рабочих дней);
- Экспресс доставка в любую точку России;
- Помощь Конструкторского Отдела и консультации квалифицированных инженеров;
- Техническая поддержка проекта, помощь в подборе аналогов, поставка прототипов;
- Поставка электронных компонентов под контролем ВП;
- Система менеджмента качества сертифицирована по Международному стандарту ISO 9001;
- При необходимости вся продукция военного и аэрокосмического назначения проходит испытания и сертификацию в лаборатории (по согласованию с заказчиком);
- Поставка специализированных компонентов военного и аэрокосмического уровня качества (Xilinx, Altera, Analog Devices, Intersil, Interpoint, Microsemi, Actel, Aeroflex, Peregrine, VPT, Syfer, Eurofarad, Texas Instruments, MS Kennedy, Miteq, Cobham, E2V, MA-COM, Hittite, Mini-Circuits, General Dynamics и др.);

Компания «Океан Электроники» является официальным дистрибьютором и эксклюзивным представителем в России одного из крупнейших производителей разъемов военного и аэрокосмического назначения «JONHON», а так же официальным дистрибьютором и эксклюзивным представителем в России производителя высокотехнологичных и надежных решений для передачи СВЧ сигналов «FORSTAR».



JONHON

«JONHON» (основан в 1970 г.)

Разъемы специального, военного и аэрокосмического назначения:

(Применяются в военной, авиационной, аэрокосмической, морской, железнодорожной, горно- и нефтедобывающей отраслях промышленности)

«FORSTAR» (основан в 1998 г.)

ВЧ соединители, коаксиальные кабели, кабельные сборки и микроволновые компоненты:

(Применяются в телекоммуникациях гражданского и специального назначения, в средствах связи, РЛС, а так же военной, авиационной и аэрокосмической отраслях промышленности).



Телефон: 8 (812) 309-75-97 (многоканальный)

Факс: 8 (812) 320-03-32

Электронная почта: ocean@oceanchips.ru

Web: <http://oceanchips.ru/>

Адрес: 198099, г. Санкт-Петербург, ул. Калинина, д. 2, корп. 4, лит. А