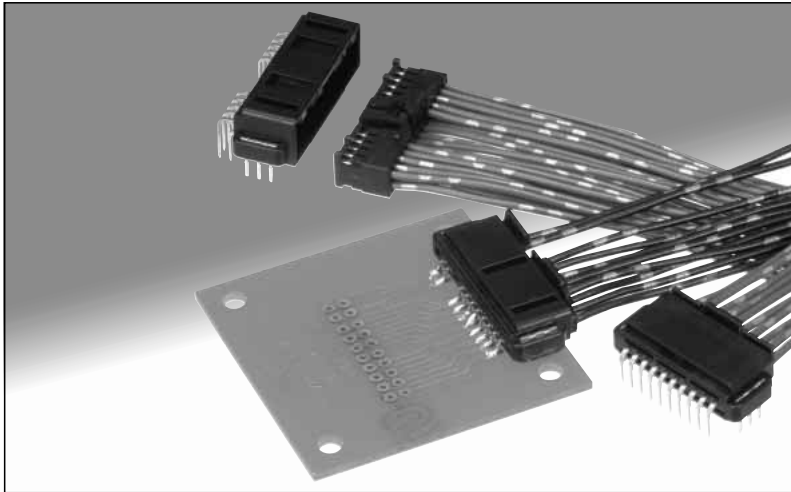


# 2mm pitch, high reliability with lock, board to cable and cable to cable connector

## GT8E Series



### Overview

The GT8E series comes with a 2mm pitch lock, for discreet cable, board-to-cable and cable-to-cable connectors. It is highly reliable in terms of vibration, heat and environmental resistance, and is used in applications such as industrial equipment, which are exposed to harsh vibration, in-vehicle equipment requiring high heat resistance, and so on.

### Features

#### 1. High reliability

The GT8E series has high reliability in the following 5 aspects, namely vibration resistance, thermal shock resistance and so on, and is usable in industrial and in-vehicle equipment exposed to harsh environments. (It meets the test conditions for various in-vehicle equipment)

- ① Vibration resistance: Contact resistance is stable during the vibration test  
With the female terminal featuring an airtight dimple mechanism, the contact point portion area is minimized, and contact pressure is enhanced.
- ② Thermal shock resistance: Usable under harsh temperature environments  
Test conditions: (-40°C: 30 minutes → normal temperature: 5 minutes → 105°C: 30 minutes → normal temperature: 5 minutes)  
It has undergone 1000 cycles.
- ③ Heat resistance: Usable up to 105°C  
PBT and PPS are used in molds, and usable up to 105°C. (including temperature increase at power distribution)
- ④ Half joint prevention  
With an audibly clicking lock, and inertia lock via a mechanical lock mechanism, firm connection is ensured. Also, the full lock mechanism means it resists tension and vibration. (Figure 1)
- ⑤ Environment resistance  
When mated status, it passed the sulfite gas resistance test (concentration 500ppm, 8 hours).

#### 2. Improved fixation power of the crimp terminal

The waterproof relay type is usable with retainer equipped, and high retention against removal is ensured when the cable is pulled.

#### 3. Decent variation

- Straight DIP type
- Right angle SMT type
- Right angle DIP type
- In-line type (Waterproof)

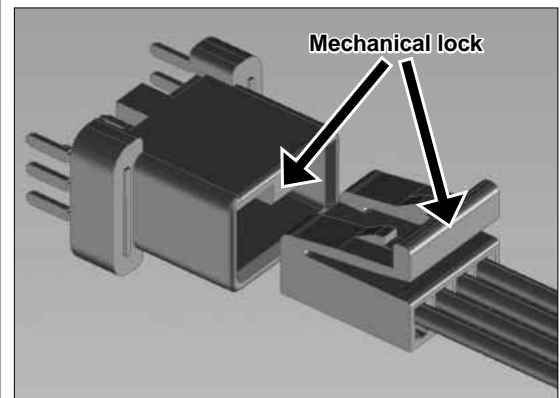
#### 4. Space saving

The pin header includes both SMT and DIP types. Exclusive reinforcing clasps are used instead of screws ensuring high peel strength and saving space.

#### 5. Reduction of implementation man-hours

In SMT type pin headers, the lead reflow type reinforcing clasps, which are available for reflow soldering, are used. As well as ensuring high peel strength, implementation can be performed via a one-time reflow, thus reducing the man-hours required in comparison to screw type connectors. (Figure 2)

#### Mechanical lock mechanism



#### Half mating prevention mechanism

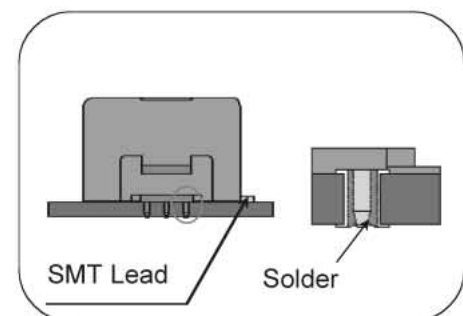
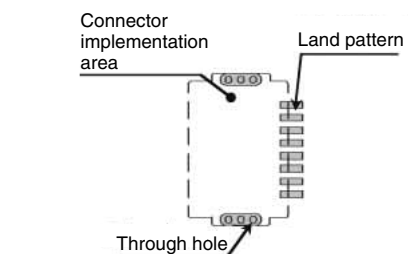
Enlarged form to improve workability, and with an audibly clicking lock, and inertia lock via a mechanical lock mechanism, firm connection is ensured.

#### Excellent lock strength, vibration resistance

Lock strength is guaranteed up to a standard value of 98N, while it also resists vibration and cable tension. The vibration resistance also cleared the test for harsh vehicles.

Figure 1

#### Lead reflow



Soldering can be applied to the land pattern and through hole at the same time, reinforcing the clasp and the SMT terminal via a one-time reflow process.

Compared to the conventional reinforcing clasp used in SMT implementation, higher peel strength is ensured.

Figure 2

## ■ Specifications

|         |                           |         |                             |                        |
|---------|---------------------------|---------|-----------------------------|------------------------|
| Ratings | Current rating            | 3A      | Operating temperature range | -40 to +105°C (Note 1) |
|         | Voltage rating 30 Vrms AC | 250V AC | Storage temperature range   | -40 to +105°C (Note 1) |

| Item                             | Specification  | Conditions   |
|----------------------------------|--|--|
| 1. Insulation resistance         | 100MΩ min.   | 500 V DC   |
| 2. Withstanding voltage          | No flashover or insulation breakdown   | 650 Vrms AC / 1 minute   |
| 3. Contact resistance            | 30mΩ max   | 1A DC  |
| 4. Durability                    | Contact resistance 60 mΩ max.  | 30 cycles  |
| 5. Vibration                     | No electrical discontinuity of 10μs or longer                                    | Frequency: 20 to 200 Hz, single amplitude of 43.1m/s <sup>2</sup> , at 3hours for 3 directions |
| 6. Shock                         | No electrical discontinuity of 10μs or longer                                    | Frequency: 20 to 50 Hz, 66.6m/s <sup>2</sup> , at 1 hours                                      |
| 7. Lock strength                 | During applying, mating completely<br>After applying, no defect of mating parts. | Applying a pull force the mating axially at 98N max.   |
| 8. Humidity                      | Contact resistance 60 mΩ max.<br>Insulation resistance: 100 MΩ min.              | 96 hours at of 60°, and humidity of 90 to 95%  |
| 9. Temperature cycle             | Contact resistance 50 mΩ max.<br>Insulation resistance: 500 MΩ min.              | -40°C → +5 to 35°C → +85°C → +5 to 35°C<br>Time: 30min. → 5min. → 30min. → 5min. 1000 cycles   |
| 10. Resistance to soldering heat | No deformation of affecting performance  |  |

Note 1: Includes temperature rise caused by current flow.

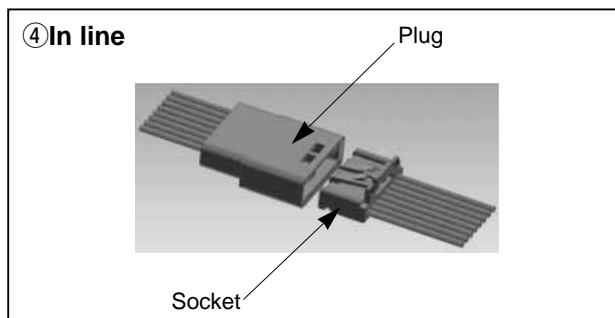
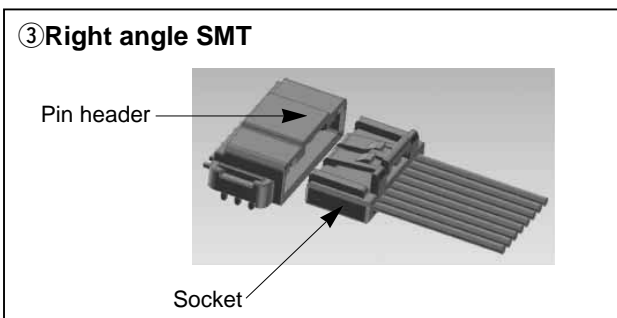
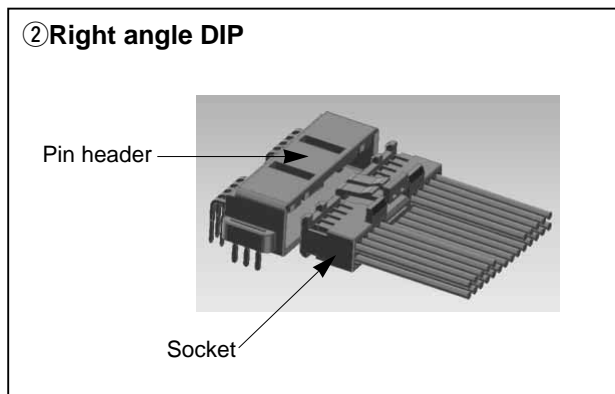
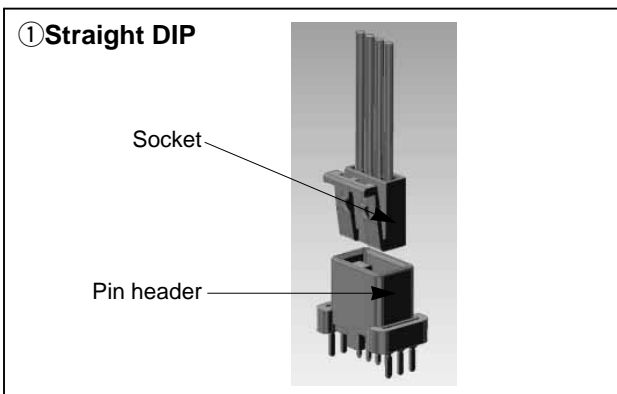
Note 2: Information contained in this catalog represents general requirements for this Series.

Contact us for the drawings and specifications for a specific part number shown.

## ■ Materials

| Product                           | Part           | Material              | Finish                          | Remarks |
|-----------------------------------|----------------|-----------------------|---------------------------------|---------|
| Header                            | Insulator      | PBT or PPS            | Color: Black                    | UL94V-0 |
|                                   | Contact        | Brass                 | Tin plated or Tin-copper plated | ————    |
|                                   | Metal fittings | Brass                 | Tin plated or Tin-copper plated | ————    |
| Socket                            | Insulator      | PBT                   | Color: Black                    | ————    |
| Crimping Contact for Socket       | Contact        | Phosphor bronze       | Tin plated                      | ————    |
| In-line plug                      | Insulator      | PBT                   | Color: Black                    | UL94V-0 |
| Crimping contact for in-line plug | Contact        | Brass or Copper alloy | Tin plated                      |         |
| Retainer                          | Insulator      | PBT                   | Color: Dark gray                | ————    |
| Bushing                           | Insulator      | Silicon rubber        | Color: White                    | ————    |

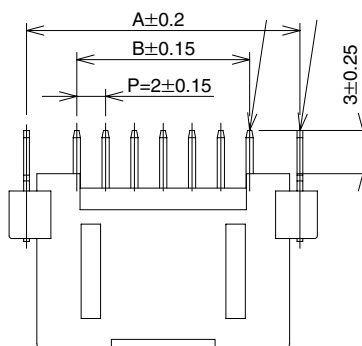
## ■ Connector Mating Combinations



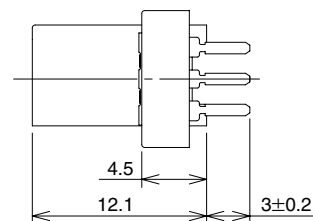
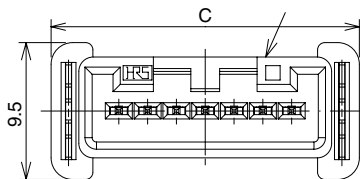
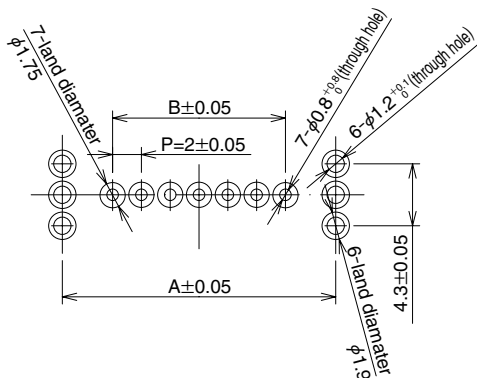
| Type                   | Pin Header   | Socket                 |
|------------------------|--------------|------------------------|
| ① Straight DIP         | GT8E-*P-DSA  | GT8E-*S-HU             |
| ② Right angle DIP      | GT8E-*P-DS   | GT8E-2S-2C             |
|                        | GT8E-*DP-DS  | GT8E-*S-HU             |
| ③ Right angle SMT      | GT8E-8DP-2H  | GT8E-8DS-2C            |
|                        | GT8E-2P-2H   | GT8E-2S-2C             |
|                        | GT8E-8/2P-2H | GT8E-8S-2C, GT8E-2S-2C |
|                        | GT8E-8/5P-2H | GT8E-8S-2C, GT8E-5S-HU |
| ④ In line (Waterproof) | GT8E-8P-HU   | GT8E-8S-2C             |
|                        | GT8EW-4P-HU  | GT8EW-4S-HU            |

### ■ Straight pin header (DIP)

#### ● Full lock type



### ■ Recommended PCB Mounting Pattern



All dimensions: mm

| Part Number | CL No.     | Number of contacts | A     | B  | C    | Packaging |
|-------------|------------|--------------------|-------|----|------|-----------|
| GT8E-4P-DSA | 758-0065-0 | 4                  | 11.98 | 6  | 14.4 | 1         |
| GT8E-7P-DSA | 758-0066-3 | 7                  | 18.98 | 12 | 21.4 |           |

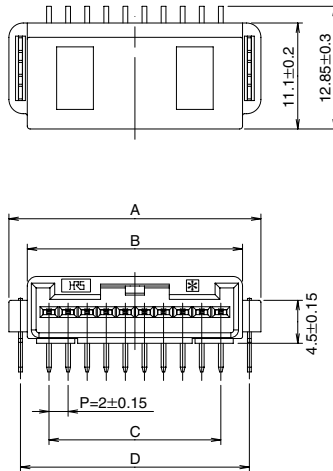
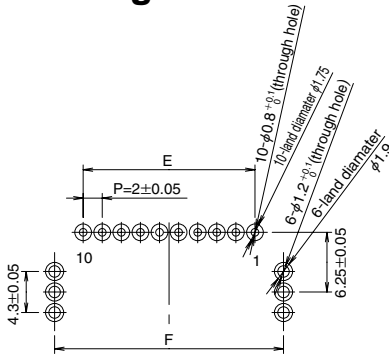
Note : GT8E-\*P-DSA mates GT8E-\*S-HU.

### ■ Right angle pin header (DIP)

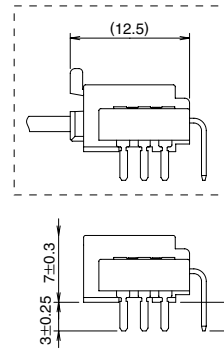
● Full lock type (2 to 10 pos. / Single row)



### ■ Recommended PCB Mounting Pattern



### ■ Fully mated connector assemblies



| Material             | Finish      |
|----------------------|-------------|
| PBT(Housing)         | Color:Black |
| Brass(Contact)       | Tin plated  |
| Brass(Metal fitting) | Tin plated  |

All dimensions: mm

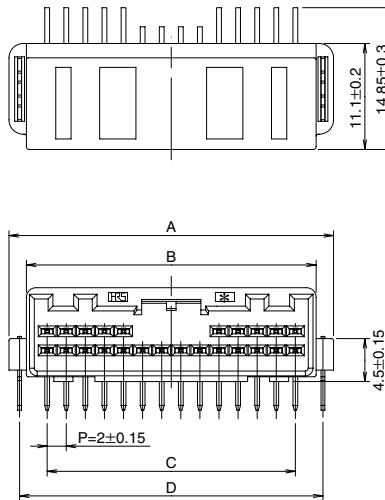
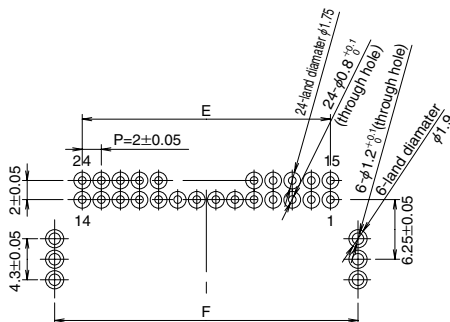
| Part Number | CL No.     | Number of contacts | A dimension Tolerance (±0.3) | B dimension Tolerance (±0.3) | C dimension Tolerance (±0.15) | D dimension Tolerance (±0.2) | E dimension Tolerance (±0.05) | F dimension Tolerance (±0.05) | Packaging |
|-------------|------------|--------------------|------------------------------|------------------------------|-------------------------------|------------------------------|-------------------------------|-------------------------------|-----------|
| GT8E-2P-DS  | 758-0040-0 | 2                  | 13                           | 9.15                         | 2                             | 10.58                        | 2                             | 10.58                         | 1         |
| GT8E-3P-DS  | 758-0057-2 | 3                  | 13.7                         | 9.85                         | 4                             | 11.28                        | 4                             | 11.28                         |           |
| GT8E-4P-DS  | 758-0041-2 | 4                  | 14.4                         | 10.55                        | 6                             | 11.98                        | 6                             | 11.98                         |           |
| GT8E-5P-DS  | 758-0058-5 | 5                  | 17.8                         | 13.95                        | 8                             | 15.38                        | 8                             | 15.38                         |           |
| GT8E-6P-DS  | 758-0042-5 | 6                  | 18.4                         | 14.55                        | 10                            | 15.98                        | 10                            | 15.98                         |           |
| GT8E-7P-DS  | 758-0059-8 | 7                  | 21.4                         | 17.55                        | 12                            | 18.98                        | 12                            | 18.98                         |           |
| GT8E-8P-DS  | 758-0043-8 | 8                  | 22.4                         | 18.55                        | 14                            | 19.98                        | 14                            | 19.98                         |           |
| GT8E-10P-DS | 758-0044-0 | 10                 | 26.4                         | 22.55                        | 18                            | 23.98                        | 18                            | 23.98                         |           |

Note 1 : Applicable housing is GT8E-\*S-HU.  
 Note 2 : GT8E-2P-DS mates with GT8E-2S-2C.

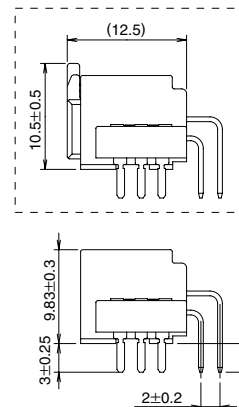
● Full lock type (12 to 24 pos. / Double row)



### ■ Recommended PCB Mounting Pattern



### ■ Fully mated connector assemblies



| Material             | Finish      |
|----------------------|-------------|
| PBT(Housing)         | Color:Black |
| Brass(Contact)       | Tin plated  |
| Brass(Metal fitting) | Tin plated  |

All dimensions: mm

| Part Number  | CL No.     | Number of contacts | A dimension Tolerance (±0.3) | B dimension Tolerance (±0.3) | C dimension Tolerance (±0.15) | D dimension Tolerance (±0.2) | E dimension Tolerance (±0.05) | F dimension Tolerance (±0.05) | Packaging |
|--------------|------------|--------------------|------------------------------|------------------------------|-------------------------------|------------------------------|-------------------------------|-------------------------------|-----------|
| GT8E-12DP-DS | 758-0045-3 | 12                 | 22.4                         | 18.55                        | 14                            | 19.98                        | 14                            | 19.98                         | 1         |
| GT8E-16DP-DS | 758-0060-7 | 16                 | 27.25                        | 23.6                         | 18                            | 25.03                        | 18                            | 25.03                         |           |
| GT8E-20DP-DS | 758-0046-6 | 20                 | 30                           | 26.35                        | 22                            | 27.78                        | 22                            | 27.78                         |           |
| GT8E-24DP-DS | 758-0053-1 | 24                 | 34                           | 30.35                        | 26                            | 31.78                        | 26                            | 31.78                         |           |

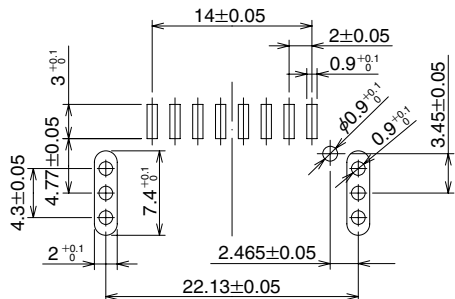
Note : Applicable housing is GT8E-\*DS-HU.

### Right angle pin header (SMT)

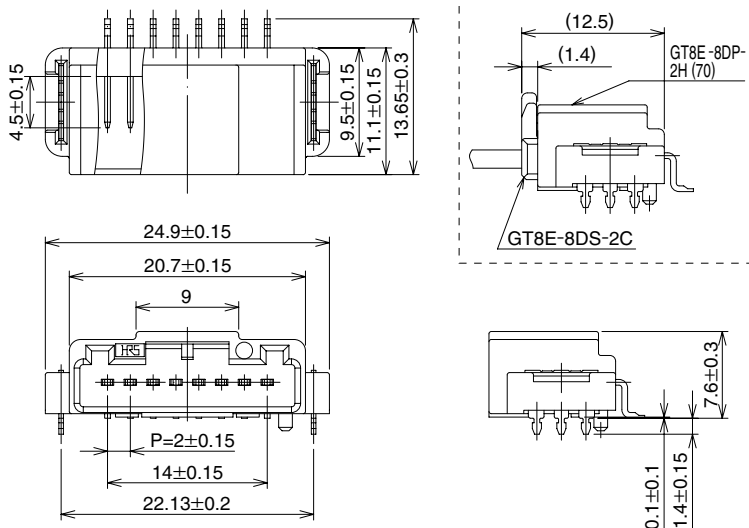
Full lock type (8 pos.)



### Recommended PCB Mounting Pattern



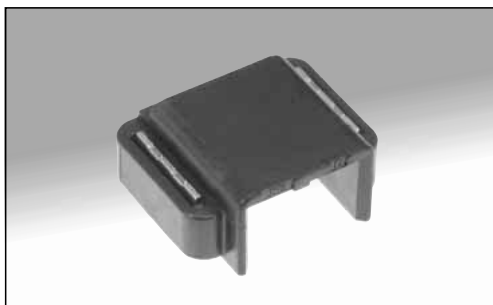
### Fully mated connector assemblies



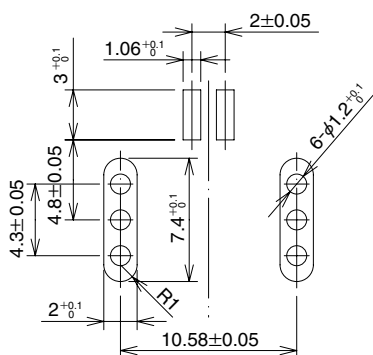
| Part Number     | CL No.        | Material                  | Finish      | Packaging            |
|-----------------|---------------|---------------------------|-------------|----------------------|
| GT8E-8DP-2H(70) | 758-0028-4-70 | PPS(Housing)              | Color:Black | 400 pcs.<br>per reel |
|                 |               | Brass(Contact)            | Tin plated  |                      |
|                 |               | Brass(Reinforced fitting) | Tin plated  |                      |

Note : Applicable housing is GT8E-8DS-2C.

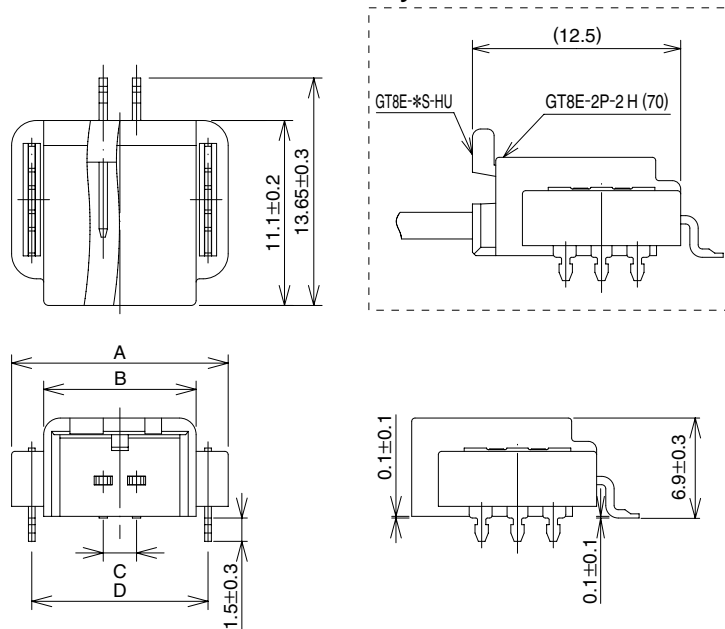
Full lock type (2 pos.)



### Recommended PCB Mounting Pattern



### Fully mated connector assemblies



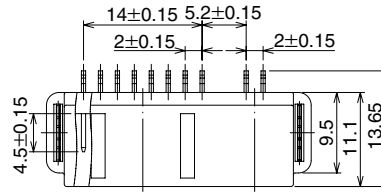
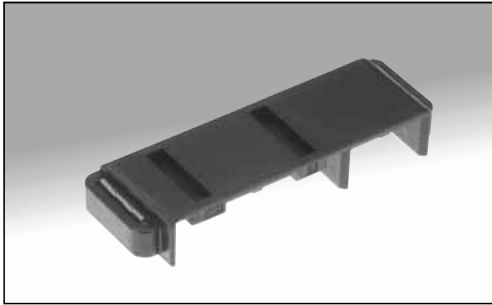
| Material                  | Finish      |
|---------------------------|-------------|
| PPS(Housing)              | Color:Black |
| Brass(Contact)            | Tin plated  |
| Brass(Reinforced fitting) | Tin plated  |

All dimensions: mm

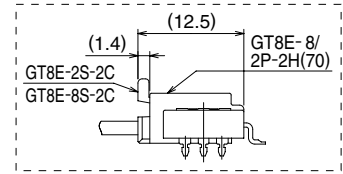
| Part Number    | CL No.        | Number of contacts | A dimension Tolerance (±0.3) | B dimension Tolerance (±0.3) | C dimension Tolerance (±0.15) | D dimension Tolerance (±0.2) | E dimension Tolerance (±0.05) | F dimension Tolerance (±0.05) | Packaging            |
|----------------|---------------|--------------------|------------------------------|------------------------------|-------------------------------|------------------------------|-------------------------------|-------------------------------|----------------------|
| GT8E-2P-2H(70) | 758-0032-1-70 | 2                  | 13                           | 9.15                         | 2                             | 10.58                        | 2                             | 10.58                         | 400 pcs.<br>per reel |
| GT8E-3P-2H     | 758-0096-4    | 3                  | 13.7                         | 9.85                         | 4                             | 11.28                        | 4                             | 11.28                         |                      |
| GT8E-4P-2H     | 758-0079-5    | 4                  | 14.4                         | 10.55                        | 6                             | 11.98                        | 6                             | 11.98                         |                      |

Note : Applicable housing is GT8E-\*S-HU.

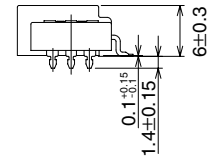
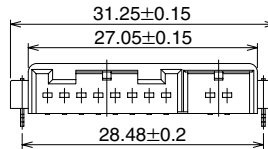
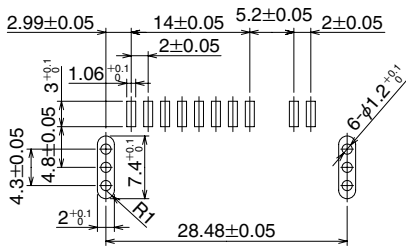
●Full lock type (8 / 2 pos.)



■Fully mated connector assemblies



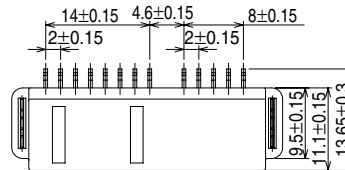
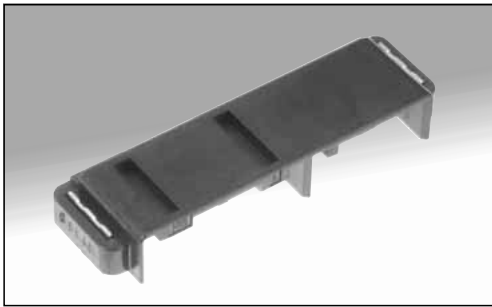
■Recommended PCB Mounting Pattern



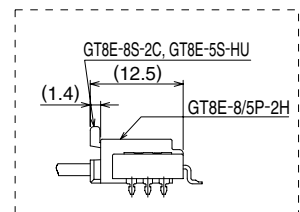
| Part Number      | CL No.        | Material                  | Finish      | Packaging            |
|------------------|---------------|---------------------------|-------------|----------------------|
| GT8E-8/2P-2H(70) | 758-0031-9-70 | PPS(Housing)              | Color:Black | 500 pcs.<br>per reel |
|                  |               | Brass(Contact)            | Tin plated  |                      |
|                  |               | Brass(Reinforced fitting) | Tin plated  |                      |

Note : Applicable housing is GT8E-2S-2C, GT8E-8S-2C.

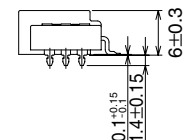
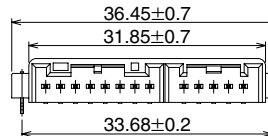
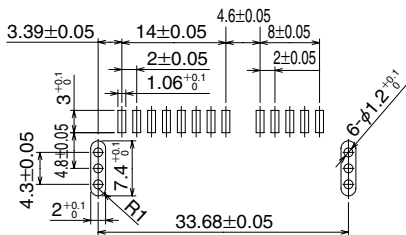
●Full lock type (8 / 5 pos.)



■Fully mated connector assemblies



■Recommended PCB Mounting Pattern

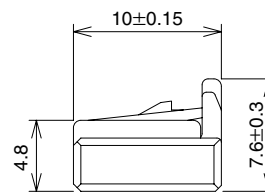
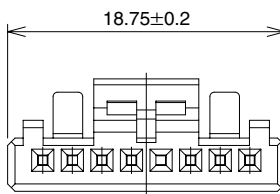
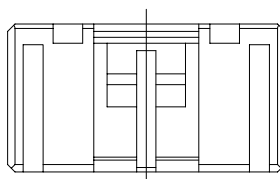
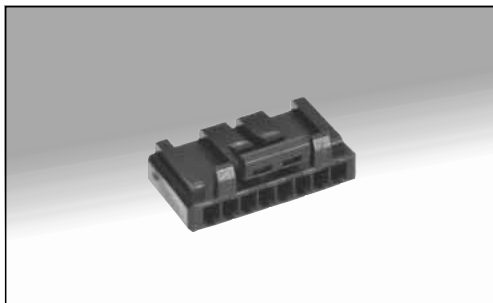


| Part Number  | CL No.     | Material                  | Finish      | Packaging            |
|--------------|------------|---------------------------|-------------|----------------------|
| GT8E-8/5P-2H | 758-0073-9 | PPS(Housing)              | Color:Black | 500 pcs.<br>per reel |
|              |            | Brass(Contact)            | Tin plated  |                      |
|              |            | Brass(Reinforced fitting) | Tin plated  |                      |

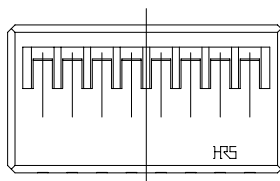
Note : Applicable housing is GT8E-5S-HU, GT8E-8S-2C.

## ■Socket

### ●Full lock type



| Socket      | Applicable | Applicable conductor |
|-------------|------------|----------------------|
| GT8E-8DS-2C | AWG #20~22 | GT8-2022SCF          |
|             | AWG #24~28 | GT8-2428SC(F)        |

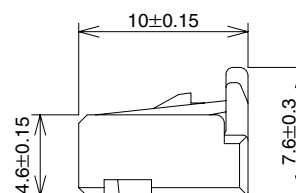
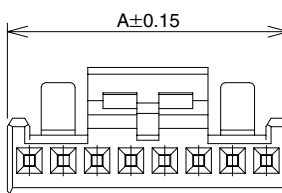
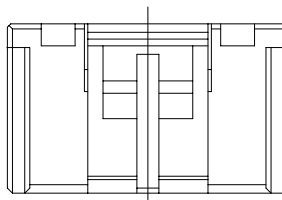


| Part Number | CL No.     | Material | Color | Number of contact | Packaging |
|-------------|------------|----------|-------|-------------------|-----------|
| GT8E-8DS-2C | 758-0027-1 | RBT      | Black | 8                 | 1         |

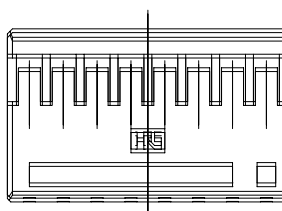
Note 1 : Applicable terminal is GT8-2022CF, GT8-2428CF(70).

Note 2 : Applicable housing is GT8E-8DP-2H(70).

### ●Full lock type



| Socket     | Applicable | Applicable conductor |
|------------|------------|----------------------|
| GT8E-*S-2C | AWG #20~22 | GT8E-2022SCF         |
|            | AWG #24~28 | GT8B-2428SCF         |



All dimensions: mm

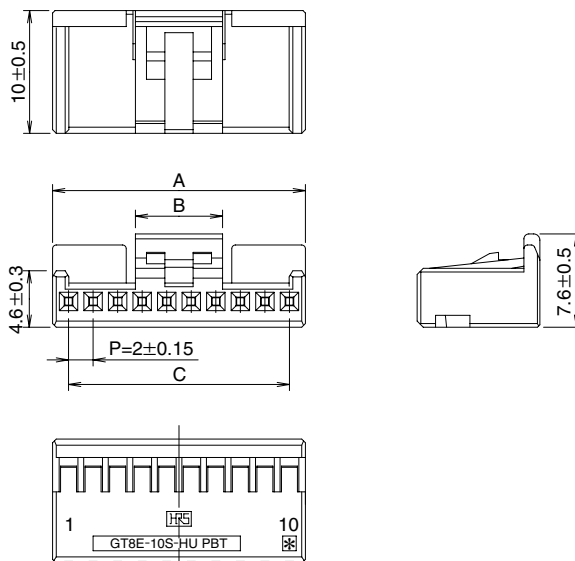
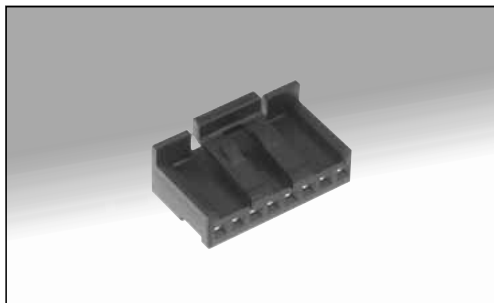
| Part Number | CL No.     | Material | Color | Number of contact | A    | Packaging |
|-------------|------------|----------|-------|-------------------|------|-----------|
| GT8E-2S-2C  | 758-0030-6 | RBT      | Black | 2                 | 7.1  | 1         |
| GT8E-8S-2C  | 758-0029-7 |          |       | 8                 | 16.6 |           |

Note 1 : Applicable terminal is GT8E-2022SCF, GT8B-2428SCF.

Note 2 : GT8E-2S-2C mates with GT8E-2P-2H(70), GT8E-8/2P-2H(70) or GT8E2P-DS.

GT8E-2S-2C mates with GT8E-8/2P-2H(70).

●Full lock type (3 to 10 pos. / Single row)



| Socket     | Applicable | Applicable conductor |
|------------|------------|----------------------|
| GT8E-8S-HU | AWG #20~22 | GT8-2022SCF          |
|            | AWG #24~28 | GT8-2428SC(F)        |

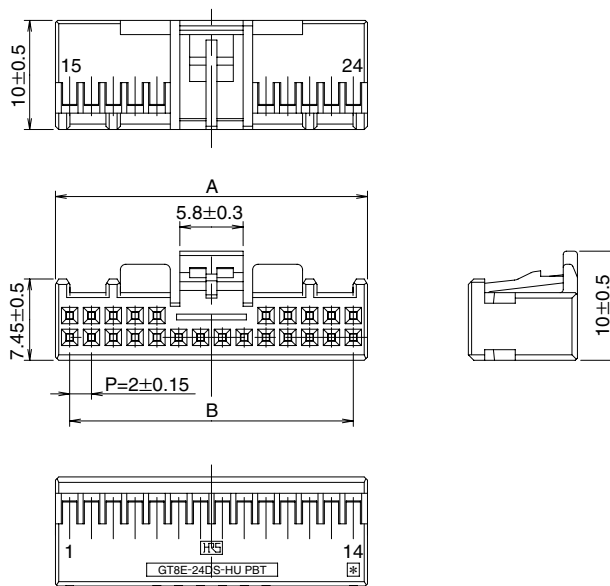
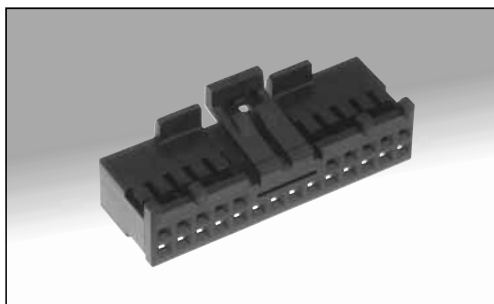
All dimensions: mm

| Part Number | CL No.     | Material | Color | Number of contact | A        | B       | C       | Packaging |
|-------------|------------|----------|-------|-------------------|----------|---------|---------|-----------|
| GT8E-3S-HU  | 758-0061-0 | RBT      | Black | 3                 | 7.9±0.5  | 7.9±0.5 | 4±0.15  | 1         |
| GT8E-4S-HU  | 758-0047-9 |          |       | 4                 | 8.6±0.5  | 8.6±0.5 | 6±0.15  |           |
| GT8E-5S-HU  | 758-0062-2 |          |       | 5                 | 12±0.5   | 7.1±0.5 | 8±0.15  |           |
| GT8E-6S-HU  | 758-0048-1 |          |       | 6                 | 12.6±0.5 | 7.1±0.5 | 10±0.15 |           |
| GT8E-7S-HU  | 758-0063-5 |          |       | 7                 | 15.6±0.5 | 7.1±0.5 | 12±0.15 |           |
| GT8E-8S-HU  | 758-0049-4 |          |       | 8                 | 16.6±0.5 | 7.1±0.5 | 14±0.15 |           |
| GT8E-10S-HU | 758-0050-3 |          |       | 10                | 20.6±0.7 | 7.1±0.5 | 18±0.15 |           |

Note 1 : Applicable terminal is GT8E-2022SCF, GT8-2428SCF.

Note 2 : Applicable housing is GT8E-\*P-DS.

●Full lock type (12 to 24 pos. / Double row)



| Socket      | Applicable | Applicable conductor |
|-------------|------------|----------------------|
| GT8E-*DS-HU | AWG #20~22 | GT8E-2022SCF         |
|             | AWG #24~28 | GT8B-2428SCF         |

All dimensions: mm

| Part Number  | CL No.     | Material | Color | Number of contact | A         | B       | Packaging |
|--------------|------------|----------|-------|-------------------|-----------|---------|-----------|
| GT8E-12DS-HU | 758-0051-6 | RBT      | Black | 12                | 16.6±0.5  | 14±0.15 | 1         |
| GT8E-16DS-HU | 758-0064-8 |          |       | 16                | 21.85±0.7 | 18±0.15 |           |
| GT8E-20DS-HU | 758-0052-9 |          |       | 20                | 24.6±0.7  | 22±0.15 |           |
| GT8E-24DS-HU | 758-0054-4 |          |       | 24                | 28.6±0.7  | 26±0.15 |           |

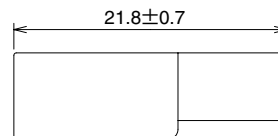
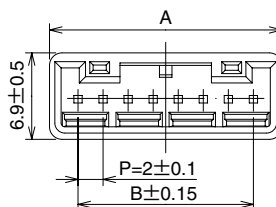
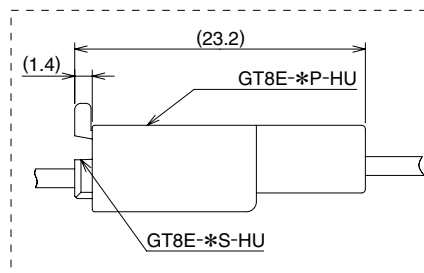
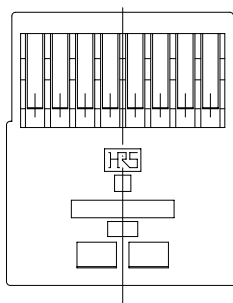
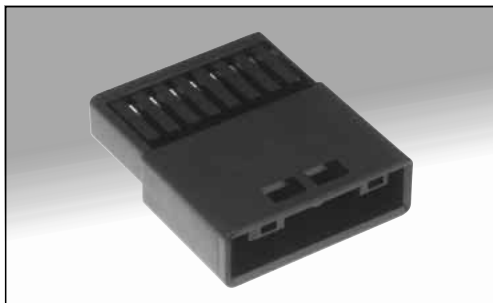
Note 1 : Applicable terminal is GT8E-2022SCF, GT8B-2428SCF.

Note 2 : Applicable housing is GT8E-\*DP-DS.



## ■In-line type

### ●Full lock in-line type



| Plug       | Applicable | Applicable conductor |
|------------|------------|----------------------|
| GT8E-*P-HU | AWG #20~22 | GT8E-2022PCF         |
|            | AWG #24~28 | GT8E-2428PCF         |

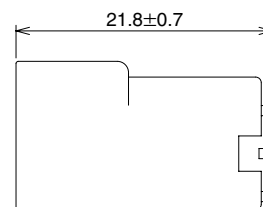
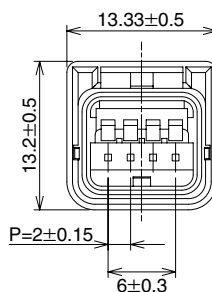
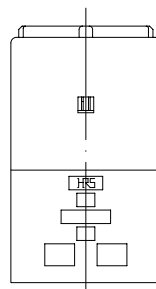
All dimensions: mm

| Part Number | CL No.     | Material | Color | Number of contact | A         | B<br>dimension Tolerance<br>(±0.15) | Packaging |
|-------------|------------|----------|-------|-------------------|-----------|-------------------------------------|-----------|
| GT8E-3P-HU  | 758-0084-5 | RBT      | Black | 3                 | 10.55±0.5 | 4                                   | 1         |
| GT8E-4P-HU  | 758-0082-0 |          |       | 4                 | 10.55±0.5 | 6                                   |           |
| GT8E-8P-HU  | 758-0038-8 |          |       | 8                 | 18.55±0.7 | 14                                  |           |

Note 1 : Applicable terminal is GT8E-2022PCF, GT8-2428PCF.

Note 2 : Applicable housing is GT8E-\*S-2C.

### ●Full lock in-line type (water proof)



| Plug        | Applicable | Applicable conductor |
|-------------|------------|----------------------|
| GT8EW-4P-HU | AWG #20~22 | GT8E-2022PCF         |

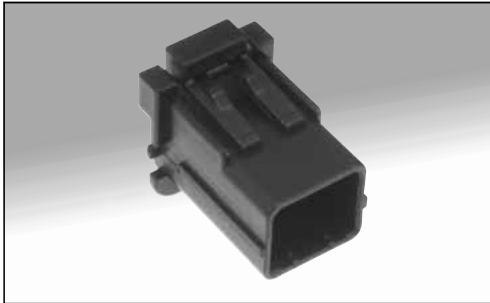
| Part Number | CL No.      | Number of contact | Packaging |
|-------------|-------------|-------------------|-----------|
| GT8EW-4P-HU | 7758-0069-1 | 4                 | 1         |

Note 1 : Applicable terminal is GT8E-2022PCF.

Note 2 : Use this in combination with GT8EW-4P-R, GT8EW-4P/S-BR, GT8EW-4P/S-BHS.

Note 3 : Applicable housing is GT8EW-4S-HU.

● Full lock in-line socket (water proof)



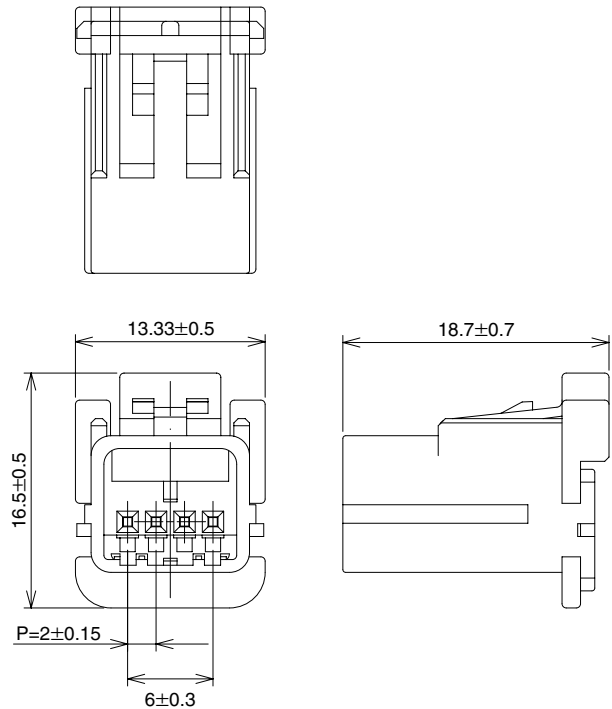
| Socket      | Applicable | Applicable conductor |
|-------------|------------|----------------------|
| GT8EW-4S-HU | AWG #20~22 | GT8-2022SCF          |

| Part Number | CL No.     | Number of contact | Packaging |
|-------------|------------|-------------------|-----------|
| GT8EW-4S-HU | 758-0068-9 | 4                 | 1         |

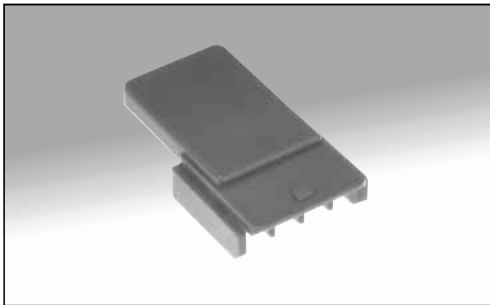
Note 1 : Applicable terminal is GT8E-2022SCF.

Note 2 : Use this in combination with GT8EW-4P-R, GT8EW-4P/S-BR, GT8EW-4P/S-BHS.

Note 3 : Applicable housing is GT8EW-4P-HU.

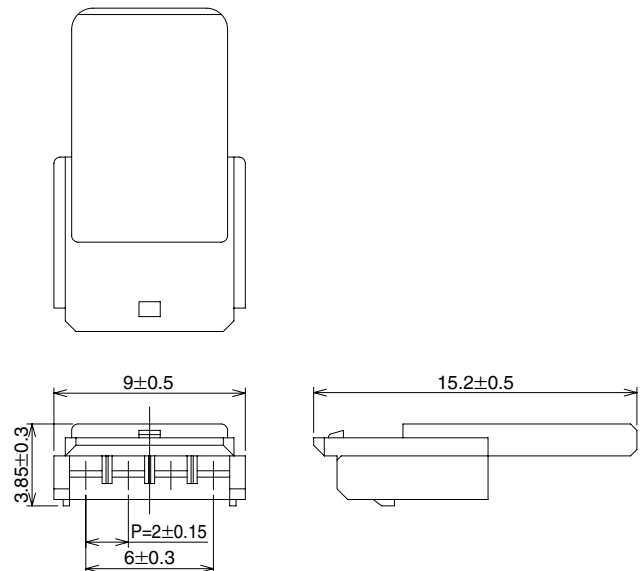


● Retainer (GT8EW-4P-HU)

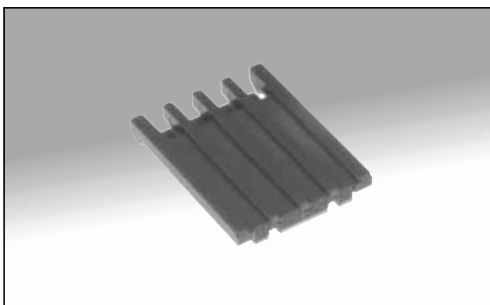


| Part Number | CL No.     | Packaging |
|-------------|------------|-----------|
| GT8EW-4P-R  | 758-0077-0 | 1         |

Note 1 : Use this in combination with GT8EW-4P-HU.

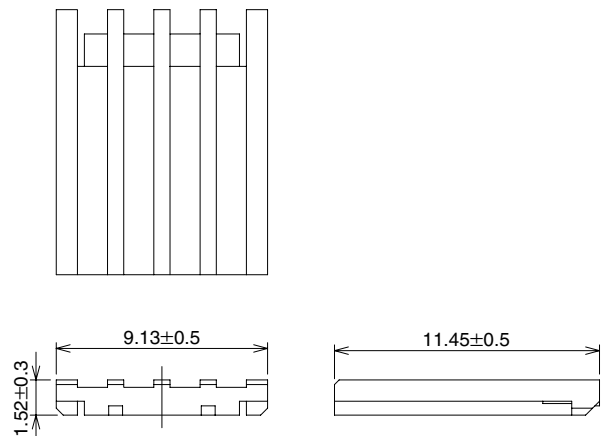


● Retainer (GT8EW-4S-HU)

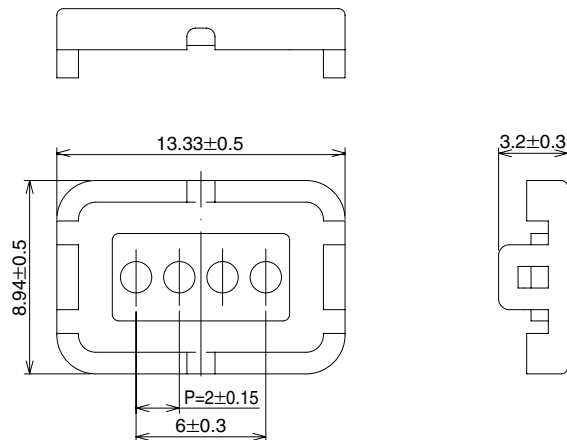


| Part Number | CL No.     | Packaging |
|-------------|------------|-----------|
| GT8EW-4S-R  | 758-0076-7 | 1         |

Note 1 : Use this in combination with GT8EW-4S-HU.



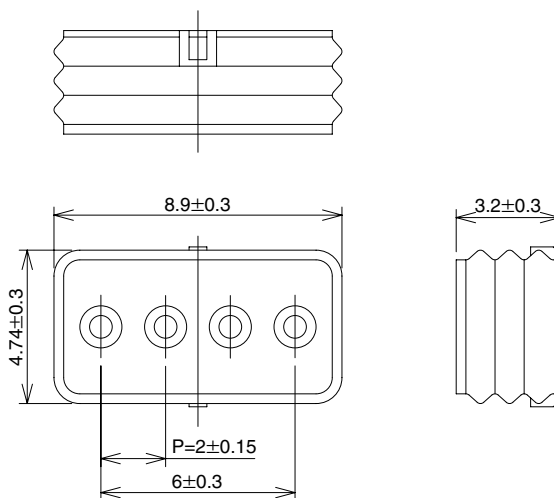
### ●Retainer (GT8EW-4P-HU, GT8EW-45-HU)



| Part Number   | CL No.     | Packaging |
|---------------|------------|-----------|
| GT8EW-4P/S-BR | 758-0070-0 | 1         |

Note 1 : Use this in combination with GT8EW-4P-HU, GT8EW-4S-HU.

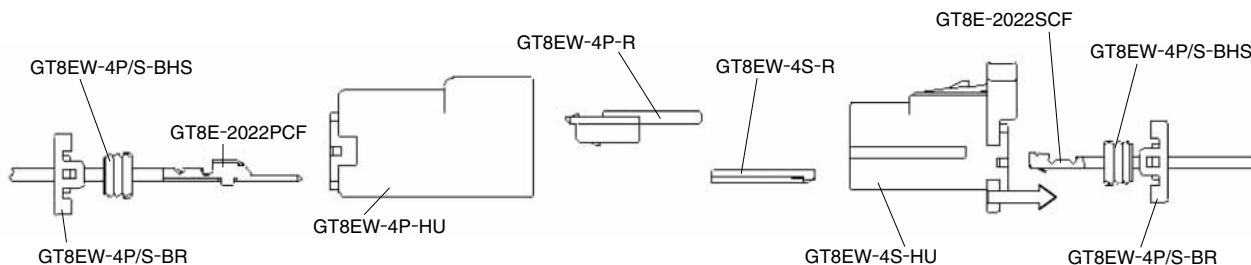
### ●Bushing (GT8EW-4P-HU, GT8EW-4S-HU)



| Part Number    | CL No.     | Packaging |
|----------------|------------|-----------|
| GT8EW-4P/S-BHS | 758-0071-3 | 1         |

Note 1 : Use this in combination with GT8EW-4P-HU, GT8EW-4S-HU.

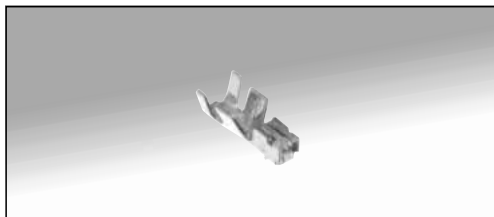
### ■Full-lock in line waterproof connector use hand book



- ①Crimp the terminal and insert it into the in-line plug/socket. And mount the retainer.
- ②Fit the parts to the in-line plug/socket in following order: Bushing and Retainer

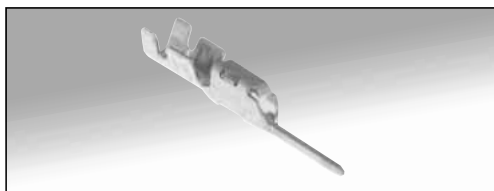
## ■ Crimping contact

### ● Crimping contact for socket



| Part number     | Materials       | Finish     | Packaging           | Sockets                                   |
|-----------------|-----------------|------------|---------------------|---|
| GT8-2428SCF(70) | Phosphor bronze | Tin plated | 10,000pcs. per reel | GT8E-8DS-2C                               |
| GT8-2022SCF     |                 |            |                     | GT8E-8DS-2C                               |
| GT8E-2022SCF    |                 |            |                     | GT8E-*S-2C,<br>GT8E-*S-HU,<br>GT8E-*DS-HU |
| GT8B-2428SCF    |                 |            |                     | GT8E-*S-2C,<br>GT8E-*S-HU,<br>GT8E-*DS-HU |
| GT8-2428SC(70)  |                 |            | 100pcs. per bag     | GT8E-8DS-2C                               |

### ● Crimping contact for plug

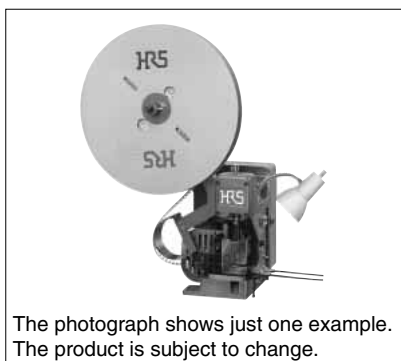


| Part number  | Materials    | Finish     | Packaging           | Plugs                   |
|--------------|--------------|------------|---------------------|-------------------------|
| GT8E-2022PCF | Copper alloy | Tin plated | 10,000pcs. per reel | GT8E-8P-HU, GT8EW-4P-HU |
| GT8E-2428PCF | Brass        |            |                     | GT8E-8P-HU              |
| GT8E-2022PC  | Copper alloy |            | 100pcs. per bag     | GT8E-8P-HU, GT8EW-4P-HU |
| GT8E-2428PC  | Brass        |            |                     | GT8E-8P-HU              |

## ■ Termination tools

User's manuals are available. Please contact a Hirose Electric account representative.

### ● Automatic crimping machine



#### Specifications

| Item              | Specification           | Remarks      |
|-------------------|-------------------------|--------------|
| Specification     | 1.5ton                  |              |
| Stroke length     | 30mm                    |              |
| Number of strokes | 200 spm(50Hz)           | 240spm(60Hz) |
| Wight             | 75kg                    |              |
| Motor             | 0.2kw                   | AC100V       |
| Crimping speed    | 2,000 to 4,000 pieces/H |              |

#### Part number CM-105

|                           |
|---------------------------|
| Applicator product number |
| AP105-GT8-2428S           |

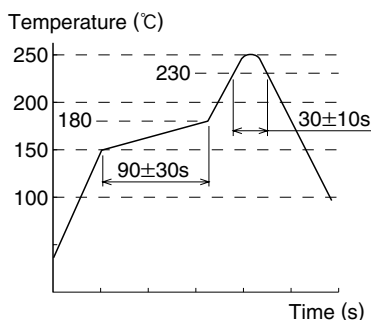
### ● Hand tool



| Part Number     | CL No. |
|-----------------|--------|
| HT102/GT8-2428S | —      |

\* : Crimp height setting tables are available for each cable type. please contact your nearest Hirose Electric account representative. Different cables will requires different crimp height setting.

## ■ Temperature Profile



|                       |                       |
|-----------------------|-----------------------|
| Solder method         | : Reflow, IR/hot air  |
| Reflow cycles         | : 2 cycles            |
| Peak temperature      | : 250°C               |
| 230°C min.            | : 20 sec. to 40 sec.  |
| Pre-heat temperature: | 150°C to 180°C        |
| Pre-heat time         | : 60 sec. to 120 sec. |



## HIROSE ELECTRIC CO.,LTD.

5-23, OSAKI 5-CHOME, SHINAGAWA-KU, TOKYO 141-8587, JAPAN  
 PHONE: 81-3-3491-5300, FAX: 81-3-3495-5230  
<http://www.hirose.com>  
<http://www.hirose-connectors.com>

Компания «Океан Электроники» предлагает заключение долгосрочных отношений при поставках импортных электронных компонентов на взаимовыгодных условиях!

Наши преимущества:

- Поставка оригинальных импортных электронных компонентов напрямую с производств Америки, Европы и Азии, а так же с крупнейших складов мира;
- Широкая линейка поставок активных и пассивных импортных электронных компонентов (более 30 млн. наименований);
- Поставка сложных, дефицитных, либо снятых с производства позиций;
- Оперативные сроки поставки под заказ (от 5 рабочих дней);
- Экспресс доставка в любую точку России;
- Помощь Конструкторского Отдела и консультации квалифицированных инженеров;
- Техническая поддержка проекта, помощь в подборе аналогов, поставка прототипов;
- Поставка электронных компонентов под контролем ВП;
- Система менеджмента качества сертифицирована по Международному стандарту ISO 9001;
- При необходимости вся продукция военного и аэрокосмического назначения проходит испытания и сертификацию в лаборатории (по согласованию с заказчиком);
- Поставка специализированных компонентов военного и аэрокосмического уровня качества (Xilinx, Altera, Analog Devices, Intersil, Interpoint, Microsemi, Actel, Aeroflex, Peregrine, VPT, Syfer, Eurofarad, Texas Instruments, MS Kennedy, Miteq, Cobham, E2V, MA-COM, Hittite, Mini-Circuits, General Dynamics и др.);

Компания «Океан Электроники» является официальным дистрибьютором и эксклюзивным представителем в России одного из крупнейших производителей разъемов военного и аэрокосмического назначения «JONHON», а так же официальным дистрибьютором и эксклюзивным представителем в России производителя высокотехнологичных и надежных решений для передачи СВЧ сигналов «FORSTAR».



## JONHON

«JONHON» (основан в 1970 г.)

Разъемы специального, военного и аэрокосмического назначения:

(Применяются в военной, авиационной, аэрокосмической, морской, железнодорожной, горно- и нефтедобывающей отраслях промышленности)

«FORSTAR» (основан в 1998 г.)

ВЧ соединители, коаксиальные кабели,  
кабельные сборки и микроволновые компоненты:

(Применяются в телекоммуникациях гражданского и специального назначения, в средствах связи, РЛС, а так же военной, авиационной и аэрокосмической отраслях промышленности).



Телефон: 8 (812) 309-75-97 (многоканальный)

Факс: 8 (812) 320-03-32

Электронная почта: [ocean@oceanchips.ru](mailto:ocean@oceanchips.ru)

Web: <http://oceanchips.ru/>

Адрес: 198099, г. Санкт-Петербург, ул. Калинина, д. 2, корп. 4, лит. А