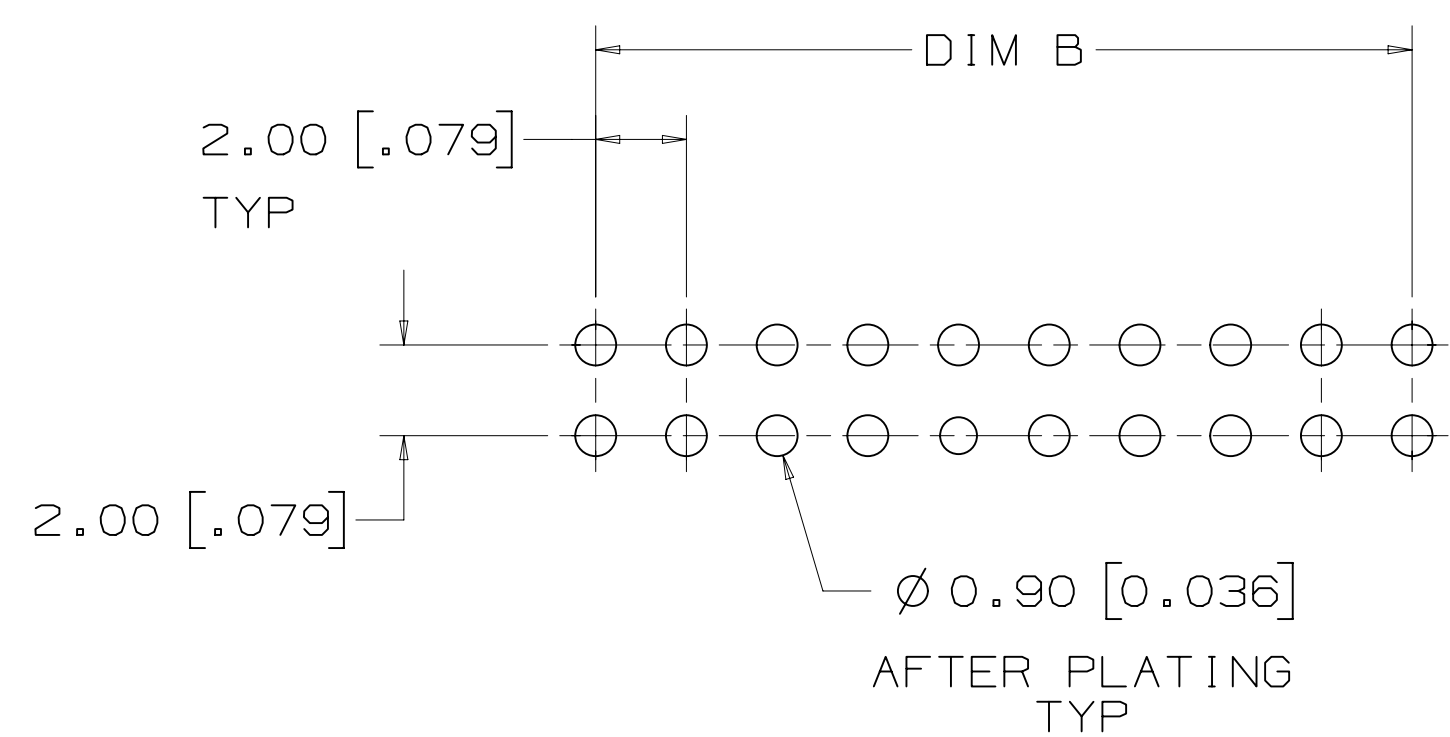


3M™ Shrouded Board Mount Header 2 mm X 2 mm Pitch 159 Series, Standard Length [3] and Extended Length [4]



RECOMMENDED PCB HOLE PATTERN
TOLERANCE = 0.05 [.002]



| PERFORMANCE [5] [7] | |
|-----------------------------|--------------------------------------|
| CURRENT: | 1A, 6 LINES ENERGIZED |
| INSULATION RESISTANCE: | >1 X 10 ⁹ OHMS AT 500 VDC |
| WITHSTANDING VOLTAGE: | 500 VACrms AT SEA LEVEL |
| TEMPERATURE RATING: | -55° C TO +105° C |
| SOLDER PROCESS TEMPERATURE: | 260° C MAX PER IPC/JEDEC J-STD-020D |

REFERENCE TABLE ON SHEET 4
FOR AVAILABLE TAIL POSITIONS AND
SOLDER TAIL LENGTHS

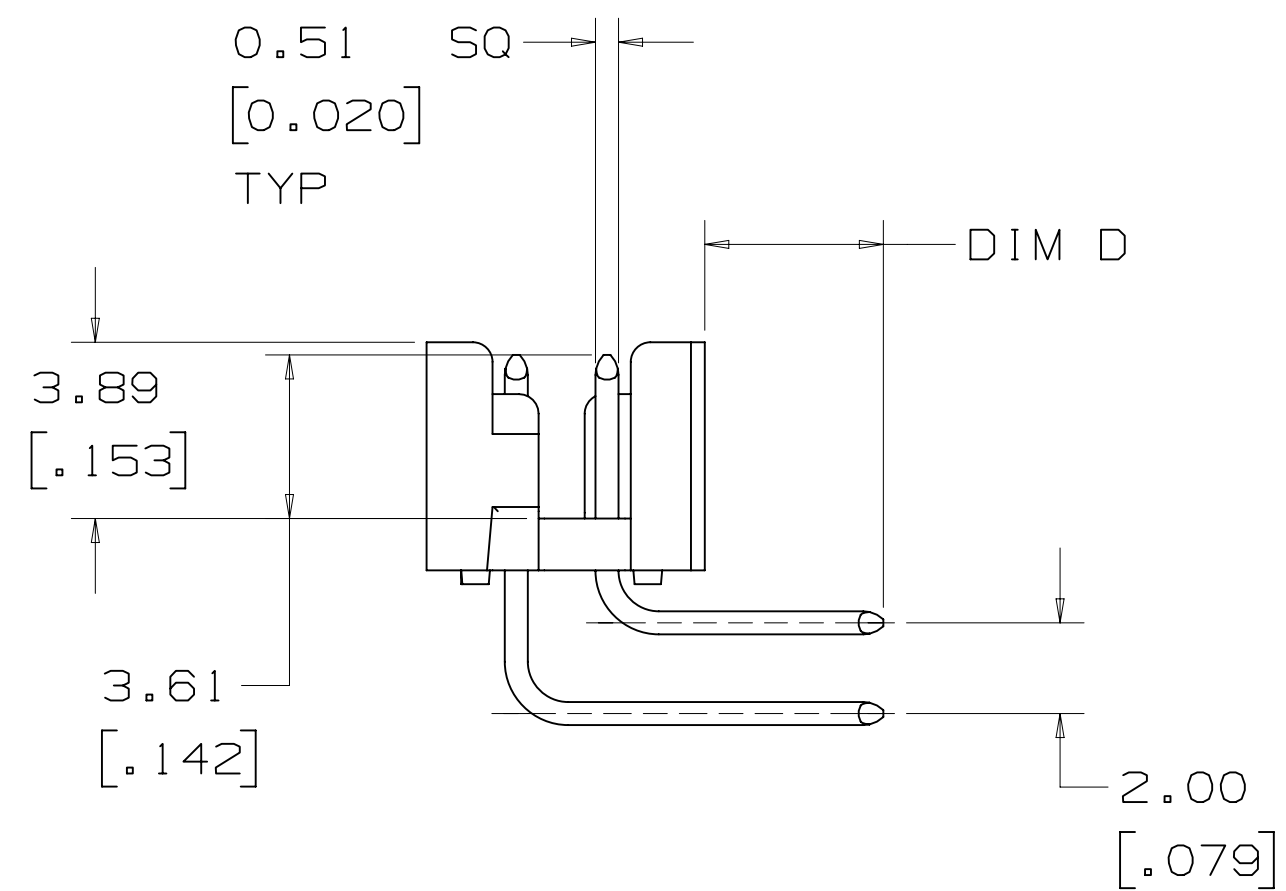
METRIC [ENGLISH]

NOTES

- 1 MATERIAL:
BODY: HIGH TEMPERATURE
GLASS FILLED LCP, BLACK
UL94V-0
CONTACTS: COPPER ALLOY
- 2 PLATING:
2.03-3.81 μm [80-150 μin]
NICKEL UNDERPLATE,
0.38 μm [15 μin] OR
0.76 μm [30 μin] AVG GOLD
ON WIPING AREA,
5.08 μm [200 μin] MIN
MATTE TIN ON SOLDER TAILS.
- 3 STANDARD LENGTH HEADERS
MATE WITH 3M™ SOCKETS,
158 SERIES (REFERENCE 3M
DRAWING 78-5100-2358-9).
- 4 EXTENDED LENGTH HEADERS
MATE WITH 3M™ SOCKETS,
870 SERIES.
- 5 FOR PRODUCT
SPECIFICATIONS AND
WARRANTY INFORMATION SEE
3M 78-5102-0078-1.
- 6 SEE THE REGULATORY
INFORMATION APPENDIX (RIA)
IN THE "ROHS COMPLIANCE"
SECTION OF
WWW.3MCONNECTOR.COM FOR
COMPLIANCE INFORMATION
(RIA E1 & C1 APPLY).
- 7 IN THE EVENT OF CONFLICT
BETWEEN THIS DATA AND
THAT CONTAINED IN THE
PRODUCT SPECIFICATION,
THE PRODUCT SPECIFICATION
TAKES PRECEDENT.

| | | | | | | |
|---------------------------------|---------------|-------------------------------------------------------------|-----|----------------------------|------|------|
| DESIGN REFERENCE | NEXT ASSEMBLY | REV | ECO | ISSUE DATE AND DESCRIPTION | DRFT | CHKD |
| | | | | | | |
| DIVISION | | DIVISION CODE | | DATE | | |
| DO NOT SCALE DRAWING | | SCALE 6/1 | | TOLERANCES EXCEPT AS NOTED | | |
| THIRD ANGLE PROJECTION | | INCHES | | MILLIMETERS | | |
| INTERPRET PER ASME Y14.5 - 1994 | | 0 ± | | 0 ± | | |
| MAX SURFACE ROUGHNESS | | 0.13 | | 0.00 ± | | |
| 125 | | ALL SURFACES | | 0.00 ± | | |
| X MARKED ONLY | | ANGLES ±1° | | CAGE NUMBER | | |
| A 30741 | | OCT 28, 2010 | | LDS SF | | |
| L. SCHMIDT | | JUL 29, 2010 | | DATE | | |
| S FELDMAN | | AUG 09, 2010 | | DATE | | |
| 3M | | 3M Center St. Paul, MN 55144 | | © 3M COPYR [GHT] 2010 | | |
| TITLE | | 3M SHROUDED BOARD MOUNT HEADER 2 MM X 2 MM PITCH 159 SERIES | | | | |
| CAGE NUMBER | | D 78-5100-2359-7 | | REV. A | | |
| MODEL | | SHT 1 OF 4 | | YES NO | | |

3M™ Shrouded Board Mount Header 2 mm X 2 mm Pitch 159 Series, Standard Length 3 and Extended Length 4



RECOMMENDED PCB HOLE PATTERN
TOLERANCE = ±0.05 [.002]



POLARIZATION SLOT
RIGHT ANGLE HEADER
6-12 POSITIONS ONLY



POLARIZATION SLOT AND
DUAL FRICTION LATCHES
RIGHT ANGLE HEADER
14-50 POSITIONS



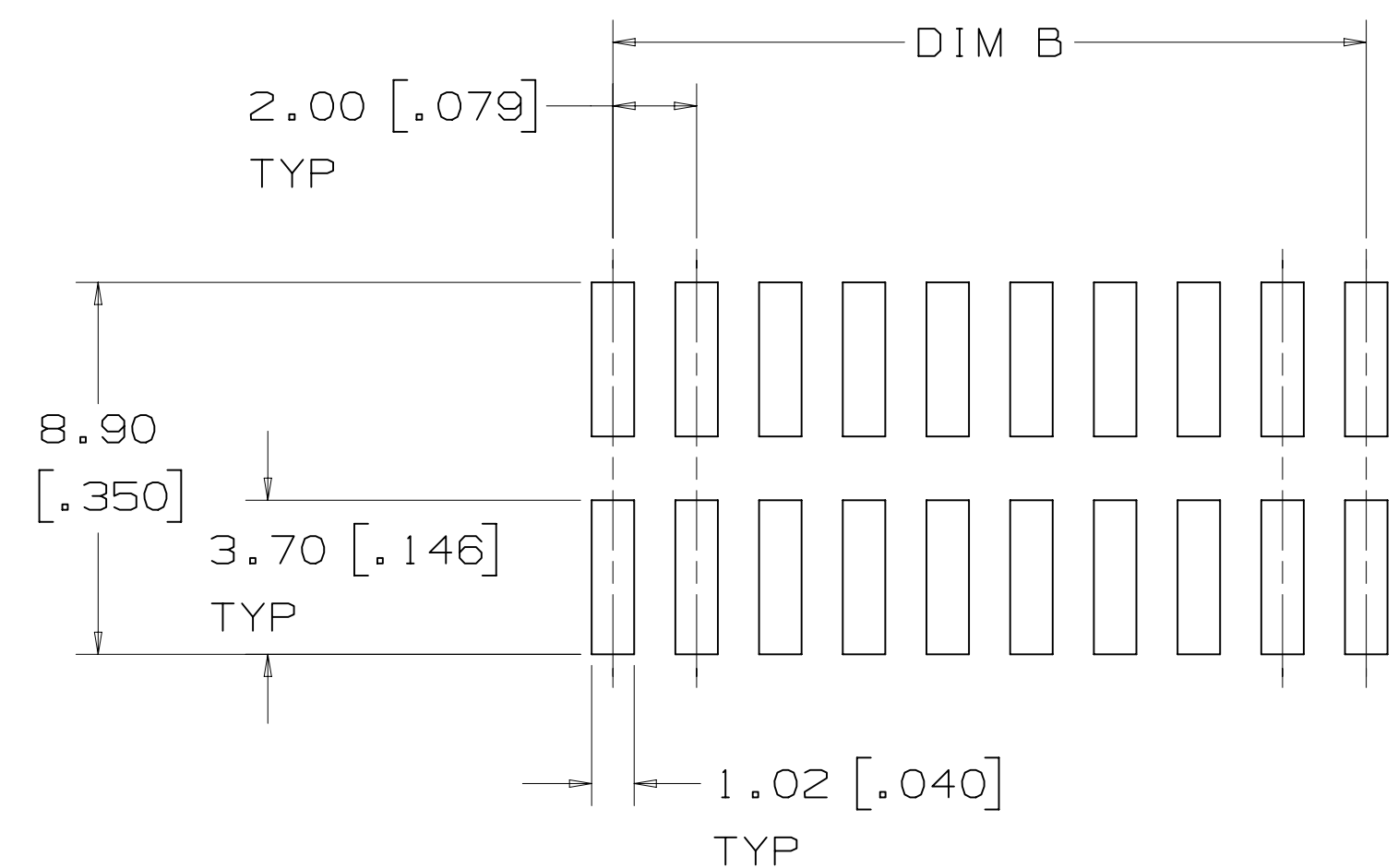
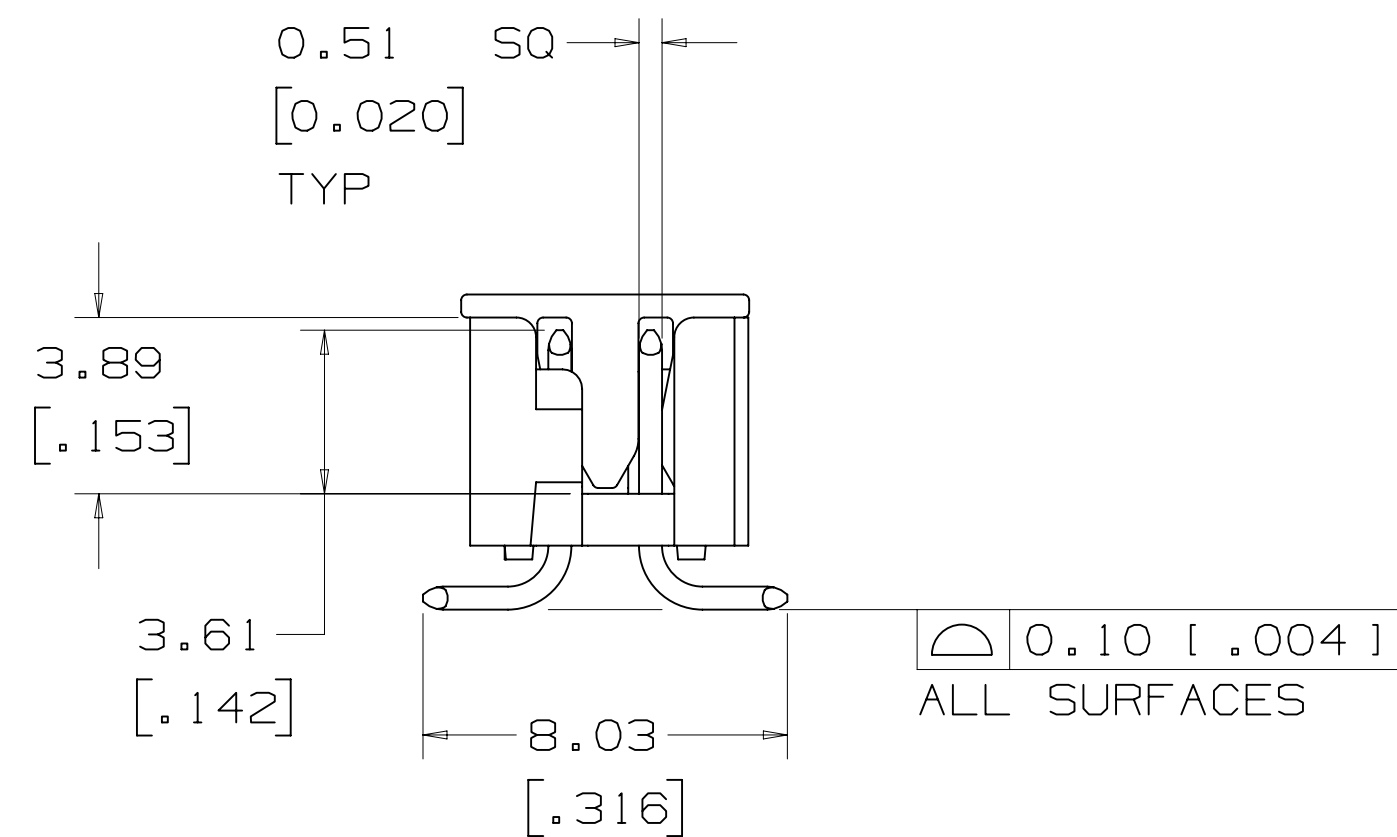
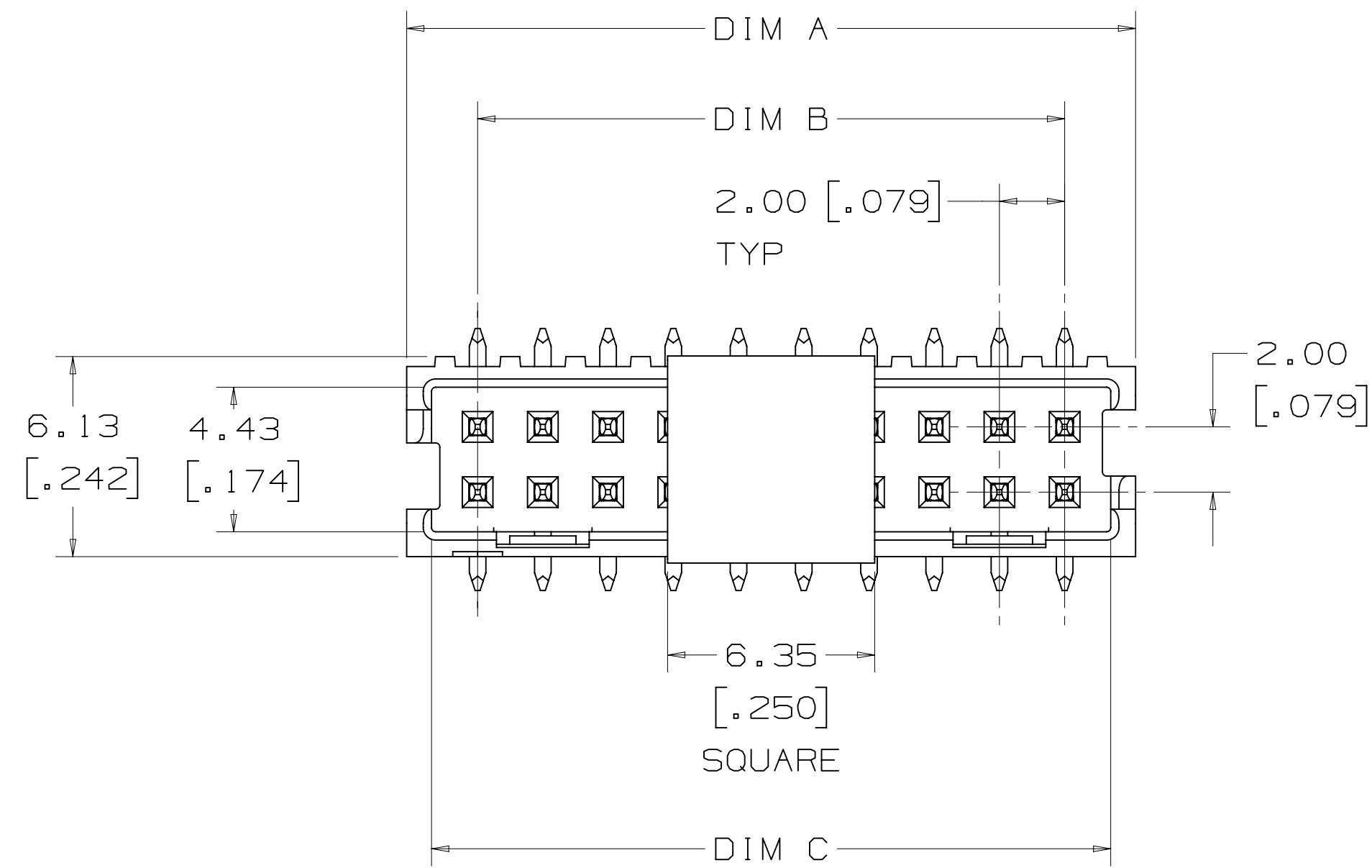
SINGLE FRICTION LATCH
RIGHT ANGLE HEADER
6-12 POSITIONS ONLY

REFERENCE TABLE ON SHEET 4
FOR AVAILABLE POSITIONS AND
SOLDER TAIL LENGTHS

METRIC [ENGLISH]

| | | | | | | |
|--------------------------------------------------|---------------|----------------------------|--------------|-----------------------------------------------------------------------------------------------------------------------------------------------------------------------------------------------------------------------------------------------|------|------|
| DESIGN REFERENCE | NEXT ASSEMBLY | REV | ECO | ISSUE DATE AND DESCRIPTION | DRFT | CHKD |
| | | | | OCT 28, 2010 INITIAL RELEASE | LDS | SF |
| DATE | DATE | DATE | DATE | DATE | DATE | DATE |
| | | L. SCHMIDT | JUL 29, 2010 | MFG | | |
| DIVISION | DIVISION CODE | CHKD | DATE | APPR | DATE | |
| | | S FELDMAN | AUG 09, 2010 | | | |
| DO NOT SCALE DRAWING | SCALE 4/1 | TOLERANCES EXCEPT AS NOTED | | © 3M COPYRIGHT 2010 This document and the information it contains are 3M property and may not be reproduced or further distributed without 3M permission, or used or disclosed other than for 3M authorized purposes. All rights reserved. | | |
| THIRD ANGLE PROJECTION | | INCHES | | TITLE 3M SHROUDED BOARD MOUNT HEADER 2 MM X 2 MM PITCH 159 SERIES | | |
| INTERPRET PER ASME Y14.5 - 1994 | | MILLIMETERS | | CAGE NUMBER D 78-5100-2359-7 | | |
| MAX SURFACE ROUGHNESS 125 | | ANGLES ±1° | | DRAWING NO. 78-5100-2359-7 | | |
| <input checked="" type="checkbox"/> ALL SURFACES | | | | REV. A | | |
| <input checked="" type="checkbox"/> MARKED ONLY | | | | SHT 2 OF 4 | | |

3M™ Shrouded Board Mount Header 2 mm X 2 mm Pitch 159 Series, Standard Length 3 and Extended Length 4



RECOMMENDED PCB PAD PATTERN
TOLERANCE = ±0.08 [.003]



POLARIZATION SLOT
SURFACE MOUNT HEADER
6-12 POSITIONS ONLY



POLARIZATION SLOT AND
DUAL FRICTION LATCHES
SURFACE MOUNT HEADER
14-50 POSITIONS



SINGLE FRICTION LATCH
SURFACE MOUNT HEADER
6-12 POSITIONS ONLY

REFERENCE TABLE ON SHEET 4
FOR AVAILABLE POSITIONS

METRIC (ENGLISH)

| | | | | | | |
|---------------------------------|---------------|-----------------|-----|----------------------------|------|------|
| DESIGN REFERENCE | NEXT ASSEMBLY | REV | ECO | ISSUE DATE AND DESCRIPTION | DRFT | CHKD |
| | | | | | | |
| DIVISION | | DIVISION CODE | | DATE | | |
| DO NOT SCALE DRAWING | | SCALE 4/1 | | TOLERANCES EXCEPT AS NOTED | | |
| THIRD ANGLE PROJECTION | | MILLIMETERS | | INCHES | | |
| INTERPRET PER ASME Y14.5 - 1994 | | 0 ± | | .00 ± | | |
| MAX SURFACE ROUGHNESS 125 | | .00 ± 0.13 | | .000 ± | | |
| ALL SURFACES MARKED ONLY | | ANGLES ±1° | | .0000 ± | | |
| CAGE NUMBER | | DRAWING NO. | | REV. | | |
| D78-5100-2359-7 | | D78-5100-2359-7 | | A | | |
| MODEL | | SHT | | 3 OF 4 | | |

78-5100-2359-7
DRAWING NUMBER

A

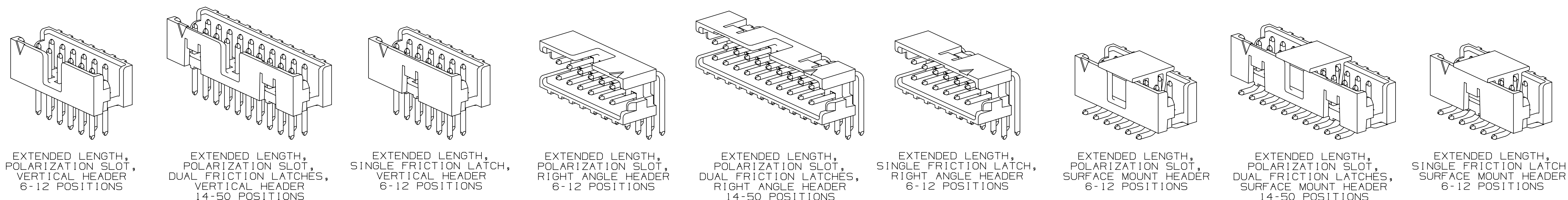
3M™ Shrouded Board Mount Header 2 mm X 2 mm Pitch 159 Series, Standard Length 3

STANDARD LENGTH HEADERS ARE AVAILABLE



3M™ Shrouded Board Mount Header 2 mm X 2 mm Pitch 159 Series, Extended Length 4

CALL 3M INTERCONNECT SOLUTIONS AT 800-225-5373 FOR AVAILABILITY OF EXTENDED LENGTH HEADERS



ORDERING INFORMATION

TIER 1 - BEST
 1591XX-XXXX

TIER 1 = BEST 0.76 μm [30 μin] GOLD

CONTACT TAIL LENGTH
 2 = 2.84 mm [.112]
 3 = 3.94 mm [.155]

POLARIZATION/LATCHING
 0 = POLARIZATION SLOT AND DUAL FRICTION LATCHES (14-50 POSITIONS ONLY)
 1 = POLARIZATION SLOT (6-12 POSITIONS ONLY)
 2 = SINGLE FRICTION LATCH (6-12 POSITIONS ONLY)

POSITION COUNT (SEE TABLE)

PART CONFIGURATION
 2 = VERTICAL SMT
 5 = RIGHT ANGLE THRU HOLE
 6 = VERTICAL THRU HOLE

BODY LENGTH
 0 = STANDARD LENGTH (MATES TO 158 SERIES)
 1 = EXTENDED LENGTH (MATES TO 870 SERIES)

TIER 2 - BETTER
 1592XX-XXXX

TIER 2 = BETTER 0.38 μm [15 μin] GOLD

CONTACT TAIL LENGTH
 2 = 2.84 mm [.112]
 3 = 3.94 mm [.155]

POLARIZATION/LATCHING
 0 = POLARIZATION SLOT AND DUAL FRICTION LATCHES (14-50 POSITIONS ONLY)
 1 = POLARIZATION SLOT (6-12 POSITIONS ONLY)
 2 = SINGLE FRICTION LATCH (6-12 POSITIONS ONLY)

POSITION COUNT (SEE TABLE)

PART CONFIGURATION
 2 = VERTICAL SMT
 5 = RIGHT ANGLE THRU HOLE
 6 = VERTICAL THRU HOLE

BODY LENGTH
 0 = STANDARD LENGTH (MATES TO 158 SERIES)
 1 = EXTENDED LENGTH (MATES TO 870 SERIES)

| NUMBER OF POSITIONS | SHROUDED BOX HEADER | | | | | | DIM D | |
|---------------------|---------------------|---------------|---------------|---------------|---------------|-------------|-------------|--|
| | DIM A | | DIM B | DIM C | | | | |
| | STANDARD | EXTENDED | | STANDARD | EXTENDED | | | |
| 6 | 8.35 [.329] | 9.52 [.375] | 4.00 [.157] | 6.83 [.269] | 7.99 [.315] | 2.84 [.112] | 3.94 [.155] | |
| 8 | 10.35 [.407] | 11.52 [.453] | 6.00 [.236] | 8.83 [.347] | 9.99 [.393] | 2.84 [.112] | 3.94 [.155] | |
| 10 | 12.35 [.486] | 13.52 [.532] | 8.00 [.315] | 10.83 [.426] | 11.99 [.472] | 2.84 [.112] | 3.94 [.155] | |
| 12 | 14.35 [.565] | 15.52 [.611] | 10.00 [.394] | 12.83 [.505] | 13.99 [.551] | 2.84 [.112] | 3.94 [.155] | |
| 14 | 16.35 [.644] | 17.52 [.690] | 12.00 [.472] | 14.83 [.584] | 15.99 [.630] | 2.84 [.112] | 3.94 [.155] | |
| 16 | 18.35 [.722] | 19.52 [.768] | 14.00 [.551] | 16.83 [.662] | 17.99 [.708] | 2.84 [.112] | 3.94 [.155] | |
| 20 | 22.35 [.880] | 23.52 [.926] | 18.00 [.709] | 20.83 [.820] | 21.99 [.866] | 2.84 [.112] | 3.94 [.155] | |
| 22 | 24.35 [.959] | 25.52 [1.005] | 20.00 [.787] | 22.83 [.899] | 23.99 [.945] | 2.84 [.112] | 3.94 [.155] | |
| 24 | 26.35 [1.037] | 27.52 [1.083] | 22.00 [.866] | 24.83 [.977] | 25.99 [1.023] | 2.84 [.112] | 3.94 [.155] | |
| 26 | 28.35 [1.116] | 29.52 [1.162] | 24.00 [.945] | 26.83 [1.056] | 27.99 [1.102] | 2.84 [.112] | 3.94 [.155] | |
| 30 | 32.35 [1.274] | 33.52 [1.320] | 28.00 [1.102] | 30.83 [1.214] | 31.99 [1.260] | 2.84 [.112] | 3.94 [.155] | |
| 34 | 36.35 [1.431] | 37.52 [1.477] | 32.00 [1.260] | 34.83 [1.371] | 35.99 [1.417] | 2.84 [.112] | 3.94 [.155] | |
| 40 | 42.35 [1.667] | 43.52 [1.713] | 38.00 [1.496] | 40.83 [1.607] | 41.99 [1.653] | 2.84 [.112] | 3.94 [.155] | |
| 44 | 46.35 [1.825] | 47.52 [1.871] | 42.00 [1.654] | 44.83 [1.765] | 45.99 [1.811] | 2.84 [.112] | 3.94 [.155] | |
| 50 | 52.35 [2.061] | 53.52 [2.107] | 48.00 [1.890] | 50.83 [2.001] | 51.99 [2.047] | 2.84 [.112] | 3.94 [.155] | |

METRIC (ENGLISH)

| | | | | | | |
|------------------------|---------------|----------------------------|--------------|----------------------------|------|------|
| DESIGN REFERENCE | NEXT ASSEMBLY | REV | ECO | ISSUE DATE AND DESCRIPTION | DRFT | CHKD |
| | | | | INITIAL RELEASE | LDS | SF |
| DISTRICT CODES | | DRP | DATE | MFG | DATE | |
| | | L. SCHMIDT | JUL 29, 2010 | | | |
| DIVISION | DIVISION CODE | CHKD | DATE | APPV | DATE | |
| | | S FELDMAN | AUG 09, 2010 | | | |
| DO NOT SCALE DRAWING | SCALE 4/1 | TOLERANCES EXCEPT AS NOTED | | | | |
| | | INCHES | | | | |
| | | .00 ± | | | | |
| | | .000 ± | | | | |
| | | .0000 ± | | | | |
| THIRD ANGLE PROJECTION | | MILLIMETERS | | | | |
| | | 0 ± | | | | |
| | | .00 ± 0.13 | | | | |
| MAX SURFACE ROUGHNESS | | .000 ± | | | | |
| 125 | | ALL SURFACES | | | | |
| | | MARKED ONLY | | | | |
| | | ANGLES ±1° | | | | |
| CAGE NUMBER | | SIZE | DRAWING NO. | REV. | | |
| D78-5100-2359-7 | | | | A | | |
| MODEL | | DET | | SHT 4 OF 4 | | |
| | | LISTS | | YES NO | | |

78-5100-2359-7 DRAWING NUMBER

A

Компания «Океан Электроники» предлагает заключение долгосрочных отношений при поставках импортных электронных компонентов на взаимовыгодных условиях!

Наши преимущества:

- Поставка оригинальных импортных электронных компонентов напрямую с производств Америки, Европы и Азии, а так же с крупнейших складов мира;
- Широкая линейка поставок активных и пассивных импортных электронных компонентов (более 30 млн. наименований);
- Поставка сложных, дефицитных, либо снятых с производства позиций;
- Оперативные сроки поставки под заказ (от 5 рабочих дней);
- Экспресс доставка в любую точку России;
- Помощь Конструкторского Отдела и консультации квалифицированных инженеров;
- Техническая поддержка проекта, помощь в подборе аналогов, поставка прототипов;
- Поставка электронных компонентов под контролем ВП;
- Система менеджмента качества сертифицирована по Международному стандарту ISO 9001;
- При необходимости вся продукция военного и аэрокосмического назначения проходит испытания и сертификацию в лаборатории (по согласованию с заказчиком);
- Поставка специализированных компонентов военного и аэрокосмического уровня качества (Xilinx, Altera, Analog Devices, Intersil, Interpoint, Microsemi, Actel, Aeroflex, Peregrine, VPT, Syfer, Eurofarad, Texas Instruments, MS Kennedy, Miteq, Cobham, E2V, MA-COM, Hittite, Mini-Circuits, General Dynamics и др.);

Компания «Океан Электроники» является официальным дистрибьютором и эксклюзивным представителем в России одного из крупнейших производителей разъемов военного и аэрокосмического назначения «JONHON», а так же официальным дистрибьютором и эксклюзивным представителем в России производителя высокотехнологичных и надежных решений для передачи СВЧ сигналов «FORSTAR».



JONHON

«JONHON» (основан в 1970 г.)

Разъемы специального, военного и аэрокосмического назначения:

(Применяются в военной, авиационной, аэрокосмической, морской, железнодорожной, горно- и нефтедобывающей отраслях промышленности)

«FORSTAR» (основан в 1998 г.)

ВЧ соединители, коаксиальные кабели, кабельные сборки и микроволновые компоненты:

(Применяются в телекоммуникациях гражданского и специального назначения, в средствах связи, РЛС, а так же военной, авиационной и аэрокосмической отраслях промышленности).



Телефон: 8 (812) 309-75-97 (многоканальный)

Факс: 8 (812) 320-03-32

Электронная почта: ocean@oceanchips.ru

Web: <http://oceanchips.ru/>

Адрес: 198099, г. Санкт-Петербург, ул. Калинина, д. 2, корп. 4, лит. А