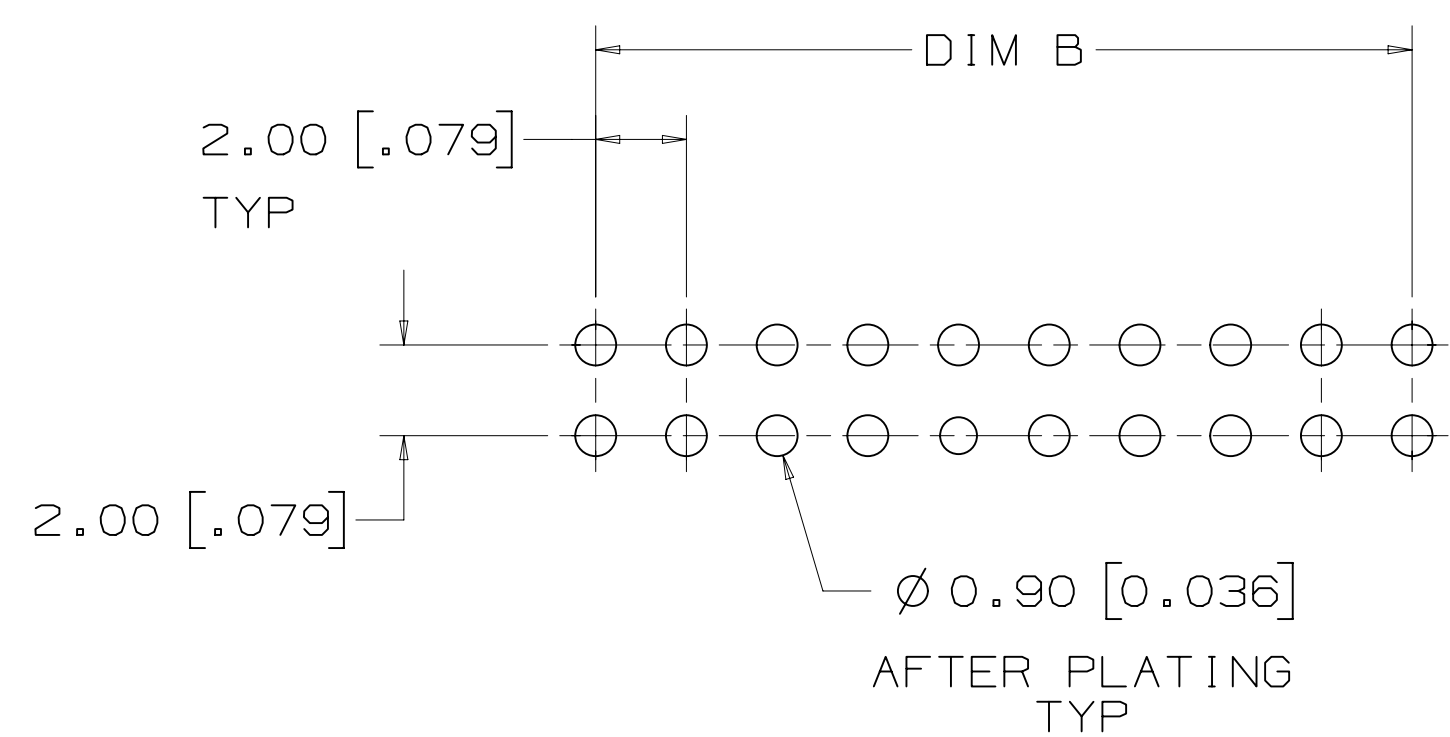
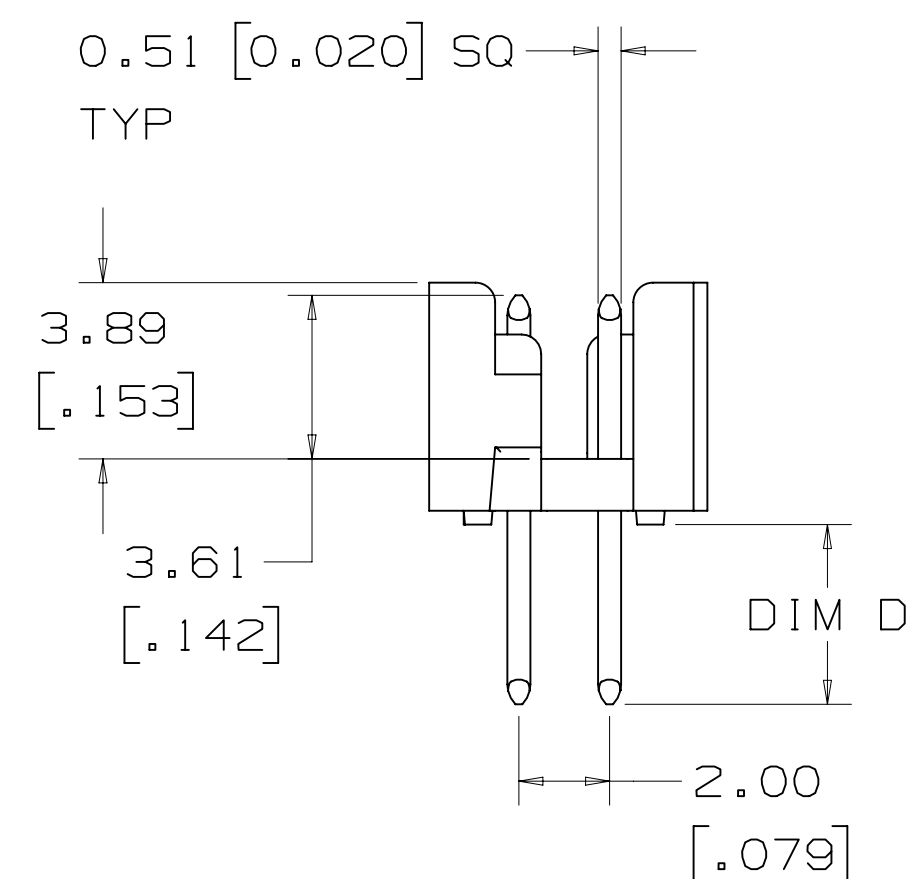


3M™ Shrouded Board Mount Header 2 mm X 2 mm Pitch 159 Series, Standard Length [3] and Extended Length [4]



RECOMMENDED PCB HOLE PATTERN
TOLERANCE = 0.05 [.002]



| PERFORMANCE [5] [7] | |
|-----------------------------|--------------------------------------|
| CURRENT: | 1A, 6 LINES ENERGIZED |
| INSULATION RESISTANCE: | >1 X 10 ⁹ OHMS AT 500 VDC |
| WITHSTANDING VOLTAGE: | 500 VACrms AT SEA LEVEL |
| TEMPERATURE RATING: | -55° C TO +105° C |
| SOLDER PROCESS TEMPERATURE: | 260° C MAX PER IPC/JEDEC J-STD-020D |

REFERENCE TABLE ON SHEET 4
FOR AVAILABLE TAIL POSITIONS AND
SOLDER TAIL LENGTHS

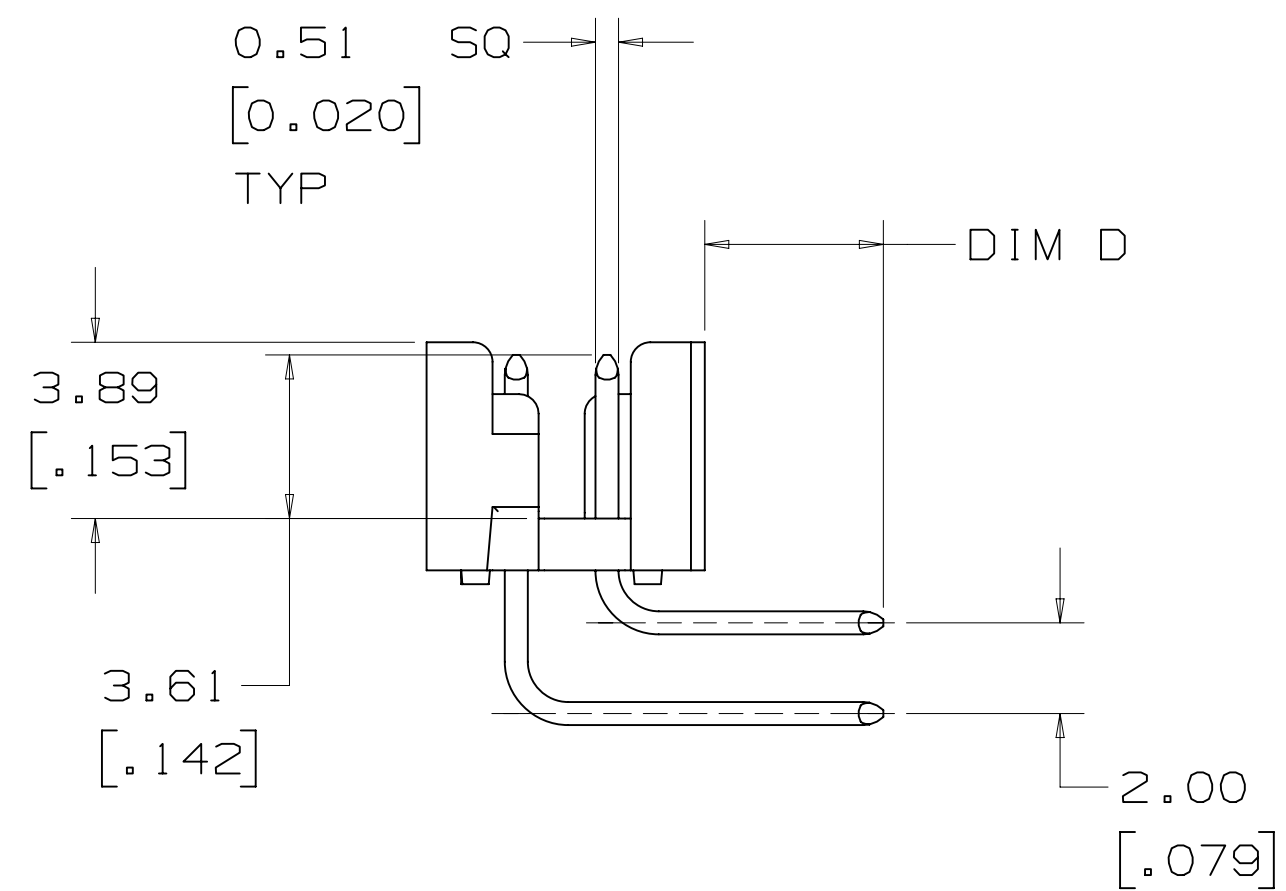
METRIC [ENGLISH]

NOTES

- MATERIAL:
BODY: HIGH TEMPERATURE
GLASS FILLED LCP, BLACK
UL94V-0
CONTACTS: COPPER ALLOY
- PLATING:
2.03-3.81 μm [80-150 μin]
NICKEL UNDERPLATE,
0.38 μm [15 μin] OR
0.76 μm [30 μin] AVG GOLD
ON WIPING AREA,
5.08 μm [200 μin] MIN
MATTE TIN ON SOLDER TAILS.
- STANDARD LENGTH HEADERS
MATE WITH 3M™ SOCKETS,
158 SERIES (REFERENCE 3M
DRAWING 78-5100-2358-9).
- EXTENDED LENGTH HEADERS
MATE WITH 3M™ SOCKETS,
870 SERIES.
- FOR PRODUCT
SPECIFICATIONS AND
WARRANTY INFORMATION SEE
3M 78-5102-0078-1.
- SEE THE REGULATORY
INFORMATION APPENDIX (RIA)
IN THE "ROHS COMPLIANCE"
SECTION OF
WWW.3MCONNECTOR.COM FOR
COMPLIANCE INFORMATION
(RIA E1 & C1 APPLY).
- IN THE EVENT OF CONFLICT
BETWEEN THIS DATA AND
THAT CONTAINED IN THE
PRODUCT SPECIFICATION,
THE PRODUCT SPECIFICATION
TAKES PRECEDENT.

| DESIGN REFERENCE | NEXT ASSEMBLY | REV | ECO | ISSUE DATE AND DESCRIPTION | DRFT | CHKD | | | | | | | | | | | | | | |
|---------------------------|--|--|--------------------------------------|----------------------------|---------------------|------|---|---|-----|-----|-----|------|------|------|-------|-------|-------|---|--|--|
| | | | | | | | | | | | | | | | | | | | | |
| DIVISION | DIVISION CODE | DATE | DATE | DATE | DATE | DATE | | | | | | | | | | | | | | |
| | | JUL 29, 2010 | | | | | | | | | | | | | | | | | | |
| DO NOT SCALE DRAWING | SCALE 6/1 | TOLERANCES EXCEPT AS NOTED | | | | | | | | | | | | | | | | | | |
| THIRD ANGLE PROJECTION | INTERPRET PER ASME Y14.5 - 1994 | <table border="1"> <tr> <th>TOLERANCES</th> <th>INCHES</th> <th>MILLIMETERS</th> </tr> <tr> <td>0</td> <td>0</td> <td>0</td> </tr> <tr> <td>.00</td> <td>.00</td> <td>.00</td> </tr> <tr> <td>.000</td> <td>.000</td> <td>.000</td> </tr> <tr> <td>.0000</td> <td>.0000</td> <td>.0000</td> </tr> </table> | TOLERANCES | INCHES | MILLIMETERS | 0 | 0 | 0 | .00 | .00 | .00 | .000 | .000 | .000 | .0000 | .0000 | .0000 | TITLE 3M SHROUDED BOARD MOUNT HEADER 2 MM X 2 MM PITCH 159 SERIES | | |
| TOLERANCES | INCHES | MILLIMETERS | | | | | | | | | | | | | | | | | | |
| 0 | 0 | 0 | | | | | | | | | | | | | | | | | | |
| .00 | .00 | .00 | | | | | | | | | | | | | | | | | | |
| .000 | .000 | .000 | | | | | | | | | | | | | | | | | | |
| .0000 | .0000 | .0000 | | | | | | | | | | | | | | | | | | |
| MAX SURFACE ROUGHNESS 125 | <input type="checkbox"/> ALL SURFACES <input checked="" type="checkbox"/> MARKED ONLY | CAGE NUMBER D 78-5100-2359-7 | DRAWING NO. 78-5100-2359-7 | REV. A | MODEL SHT 1 OF 4 | | | | | | | | | | | | | | | |

3M™ Shrouded Board Mount Header 2 mm X 2 mm Pitch 159 Series, Standard Length 3 and Extended Length 4



RECOMMENDED PCB HOLE PATTERN
TOLERANCE = ±0.05 [.002]



POLARIZATION SLOT
RIGHT ANGLE HEADER
6-12 POSITIONS ONLY



POLARIZATION SLOT AND
DUAL FRICTION LATCHES
RIGHT ANGLE HEADER
14-50 POSITIONS



SINGLE FRICTION LATCH
RIGHT ANGLE HEADER
6-12 POSITIONS ONLY

REFERENCE TABLE ON SHEET 4
FOR AVAILABLE POSITIONS AND
SOLDER TAIL LENGTHS

METRIC [ENGLISH]

| | | | | | | |
|------------------------------|---------------|---------------------------------|----------------------------|--|--------|------|
| DESIGN REFERENCE | NEXT ASSEMBLY | REV | ECO | ISSUE DATE AND DESCRIPTION | DRFT | CHKD |
| | | | | | | |
| DIVISION | | DIVISION CODE | | TITLE | | |
| DO NOT SCALE DRAWING | | SCALE | TOLERANCES EXCEPT AS NOTED | | INCHES | |
| THIRD ANGLE PROJECTION | | INTERPRET PER ASME Y14.5 - 1994 | | MILLIMETERS | | |
| MAX SURFACE ROUGHNESS | | 125 | | .00 ± .013 | | |
| ALL SURFACES MARKED ONLY | | ANGLES ±1° | | CAGE NUMBER | | |
| A 30741 | | OCT 28, 2010 | | LDS SF | | |
| L. SCHMIDT | | JUL 29, 2010 | | S FELDMAN | | |
| 3M Center St. Paul, MN 55144 | | © 3M COPYRIGHT 2010 | | 3M property and may not be reproduced or further distributed without 3M permission, or used or disclosed other than for 3M authorized purposes. All rights reserved. | | |
| D 78-5100-2359-7 | | A | | SHT 2 OF 4 | | |

78-5100-2359-7
DRAWING NUMBER

A

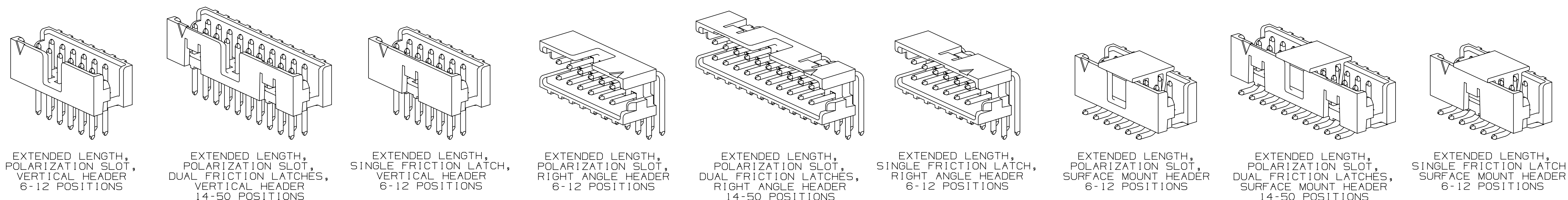
3M™ Shrouded Board Mount Header 2 mm X 2 mm Pitch 159 Series, Standard Length 3

STANDARD LENGTH HEADERS ARE AVAILABLE



3M™ Shrouded Board Mount Header 2 mm X 2 mm Pitch 159 Series, Extended Length 4

CALL 3M INTERCONNECT SOLUTIONS AT 800-225-5373 FOR AVAILABILITY OF EXTENDED LENGTH HEADERS



ORDERING INFORMATION

TIER 1 - BEST
 1591XX-XXXX

TIER 1 = BEST 0.76 μm [30 μin] GOLD

CONTACT TAIL LENGTH
 2 = 2.84 mm [.112]
 3 = 3.94 mm [.155]

POLARIZATION/LATCHING
 0 = POLARIZATION SLOT AND DUAL FRICTION LATCHES (14-50 POSITIONS ONLY)
 1 = POLARIZATION SLOT (6-12 POSITIONS ONLY)
 2 = SINGLE FRICTION LATCH (6-12 POSITIONS ONLY)

POSITION COUNT (SEE TABLE)

PART CONFIGURATION
 2 = VERTICAL SMT
 5 = RIGHT ANGLE THRU HOLE
 6 = VERTICAL THRU HOLE

BODY LENGTH
 0 = STANDARD LENGTH (MATES TO 158 SERIES)
 1 = EXTENDED LENGTH (MATES TO 870 SERIES)

TIER 2 - BETTER
 1592XX-XXXX

TIER 2 = BETTER 0.38 μm [15 μin] GOLD

CONTACT TAIL LENGTH
 2 = 2.84 mm [.112]
 3 = 3.94 mm [.155]

POLARIZATION/LATCHING
 0 = POLARIZATION SLOT AND DUAL FRICTION LATCHES (14-50 POSITIONS ONLY)
 1 = POLARIZATION SLOT (6-12 POSITIONS ONLY)
 2 = SINGLE FRICTION LATCH (6-12 POSITIONS ONLY)

POSITION COUNT (SEE TABLE)

PART CONFIGURATION
 2 = VERTICAL SMT
 5 = RIGHT ANGLE THRU HOLE
 6 = VERTICAL THRU HOLE

BODY LENGTH
 0 = STANDARD LENGTH (MATES TO 158 SERIES)
 1 = EXTENDED LENGTH (MATES TO 870 SERIES)

| NUMBER OF POSITIONS | SHROUDED BOX HEADER | | | | | | DIM D | |
|---------------------|---------------------|---------------|---------------|---------------|---------------|-------------|-------------|--|
| | DIM A | | DIM B | DIM C | | | | |
| | STANDARD | EXTENDED | | STANDARD | EXTENDED | | | |
| 6 | 8.35 [.329] | 9.52 [.375] | 4.00 [.157] | 6.83 [.269] | 7.99 [.315] | 2.84 [.112] | 3.94 [.155] | |
| 8 | 10.35 [.407] | 11.52 [.453] | 6.00 [.236] | 8.83 [.347] | 9.99 [.393] | 2.84 [.112] | 3.94 [.155] | |
| 10 | 12.35 [.486] | 13.52 [.532] | 8.00 [.315] | 10.83 [.426] | 11.99 [.472] | 2.84 [.112] | 3.94 [.155] | |
| 12 | 14.35 [.565] | 15.52 [.611] | 10.00 [.394] | 12.83 [.505] | 13.99 [.551] | 2.84 [.112] | 3.94 [.155] | |
| 14 | 16.35 [.644] | 17.52 [.690] | 12.00 [.472] | 14.83 [.584] | 15.99 [.630] | 2.84 [.112] | 3.94 [.155] | |
| 16 | 18.35 [.722] | 19.52 [.768] | 14.00 [.551] | 16.83 [.662] | 17.99 [.708] | 2.84 [.112] | 3.94 [.155] | |
| 20 | 22.35 [.880] | 23.52 [.926] | 18.00 [.709] | 20.83 [.820] | 21.99 [.866] | 2.84 [.112] | 3.94 [.155] | |
| 22 | 24.35 [.959] | 25.52 [1.005] | 20.00 [.787] | 22.83 [.899] | 23.99 [.945] | 2.84 [.112] | 3.94 [.155] | |
| 24 | 26.35 [1.037] | 27.52 [1.083] | 22.00 [.866] | 24.83 [.977] | 25.99 [1.023] | 2.84 [.112] | 3.94 [.155] | |
| 26 | 28.35 [1.116] | 29.52 [1.162] | 24.00 [.945] | 26.83 [1.056] | 27.99 [1.102] | 2.84 [.112] | 3.94 [.155] | |
| 30 | 32.35 [1.274] | 33.52 [1.320] | 28.00 [1.102] | 30.83 [1.214] | 31.99 [1.260] | 2.84 [.112] | 3.94 [.155] | |
| 34 | 36.35 [1.431] | 37.52 [1.477] | 32.00 [1.260] | 34.83 [1.371] | 35.99 [1.417] | 2.84 [.112] | 3.94 [.155] | |
| 40 | 42.35 [1.667] | 43.52 [1.713] | 38.00 [1.496] | 40.83 [1.607] | 41.99 [1.653] | 2.84 [.112] | 3.94 [.155] | |
| 44 | 46.35 [1.825] | 47.52 [1.871] | 42.00 [1.654] | 44.83 [1.765] | 45.99 [1.811] | 2.84 [.112] | 3.94 [.155] | |
| 50 | 52.35 [2.061] | 53.52 [2.107] | 48.00 [1.890] | 50.83 [2.001] | 51.99 [2.047] | 2.84 [.112] | 3.94 [.155] | |

METRIC (ENGLISH)

| | | | | | | |
|---------------------------------|---------------|---------------------------------------|--------------|----------------------------|------|------|
| DESIGN REFERENCE | NEXT ASSEMBLY | REV | ECO | ISSUE DATE AND DESCRIPTION | DRFT | CHKD |
| | | | | INITIAL RELEASE | LDS | SF |
| DISTRICT CODES | | DRP | DATE | MFG | DATE | |
| | | L. SCHMIDT | JUL 29, 2010 | | | |
| DIVISION | DIVISION CODE | CHKD | DATE | APPV | DATE | |
| | | S FELDMAN | AUG 09, 2010 | | | |
| DO NOT SCALE DRAWING | SCALE 4/1 | TOLERANCES EXCEPT AS NOTED | | | | |
| | | INCHES .00 ± .000 ± 2000 ± | | | | |
| THIRD ANGLE PROJECTION | | MILLIMETERS 0 ± .00 ± .000 ± | | | | |
| INTERPRET PER ASME Y14.5 - 1994 | | ANGLES ±1° | | | | |
| MAX SURFACE ROUGHNESS 125 | | ALL SURFACES MARKED ONLY | | | | |
| | | CAGE NUMBER D78-5100-2359-7 | | | | |
| | | DRAWING NO. 78-5100-2359-7 | | | | |
| | | REV. A | | | | |
| | | MODEL | | | | |
| | | SHT 4 OF 4 | | | | |

78-5100-2359-7 DRAWING NUMBER

A

Компания «Океан Электроники» предлагает заключение долгосрочных отношений при поставках импортных электронных компонентов на взаимовыгодных условиях!

Наши преимущества:

- Поставка оригинальных импортных электронных компонентов напрямую с производств Америки, Европы и Азии, а так же с крупнейших складов мира;
- Широкая линейка поставок активных и пассивных импортных электронных компонентов (более 30 млн. наименований);
- Поставка сложных, дефицитных, либо снятых с производства позиций;
- Оперативные сроки поставки под заказ (от 5 рабочих дней);
- Экспресс доставка в любую точку России;
- Помощь Конструкторского Отдела и консультации квалифицированных инженеров;
- Техническая поддержка проекта, помощь в подборе аналогов, поставка прототипов;
- Поставка электронных компонентов под контролем ВП;
- Система менеджмента качества сертифицирована по Международному стандарту ISO 9001;
- При необходимости вся продукция военного и аэрокосмического назначения проходит испытания и сертификацию в лаборатории (по согласованию с заказчиком);
- Поставка специализированных компонентов военного и аэрокосмического уровня качества (Xilinx, Altera, Analog Devices, Intersil, Interpoint, Microsemi, Actel, Aeroflex, Peregrine, VPT, Syfer, Eurofarad, Texas Instruments, MS Kennedy, Miteq, Cobham, E2V, MA-COM, Hittite, Mini-Circuits, General Dynamics и др.);

Компания «Океан Электроники» является официальным дистрибьютором и эксклюзивным представителем в России одного из крупнейших производителей разъемов военного и аэрокосмического назначения «JONHON», а так же официальным дистрибьютором и эксклюзивным представителем в России производителя высокотехнологичных и надежных решений для передачи СВЧ сигналов «FORSTAR».



JONHON

«JONHON» (основан в 1970 г.)

Разъемы специального, военного и аэрокосмического назначения:

(Применяются в военной, авиационной, аэрокосмической, морской, железнодорожной, горно- и нефтедобывающей отраслях промышленности)

«FORSTAR» (основан в 1998 г.)

ВЧ соединители, коаксиальные кабели, кабельные сборки и микроволновые компоненты:

(Применяются в телекоммуникациях гражданского и специального назначения, в средствах связи, РЛС, а так же военной, авиационной и аэрокосмической отраслях промышленности).



Телефон: 8 (812) 309-75-97 (многоканальный)

Факс: 8 (812) 320-03-32

Электронная почта: ocean@oceanchips.ru

Web: <http://oceanchips.ru/>

Адрес: 198099, г. Санкт-Петербург, ул. Калинина, д. 2, корп. 4, лит. А