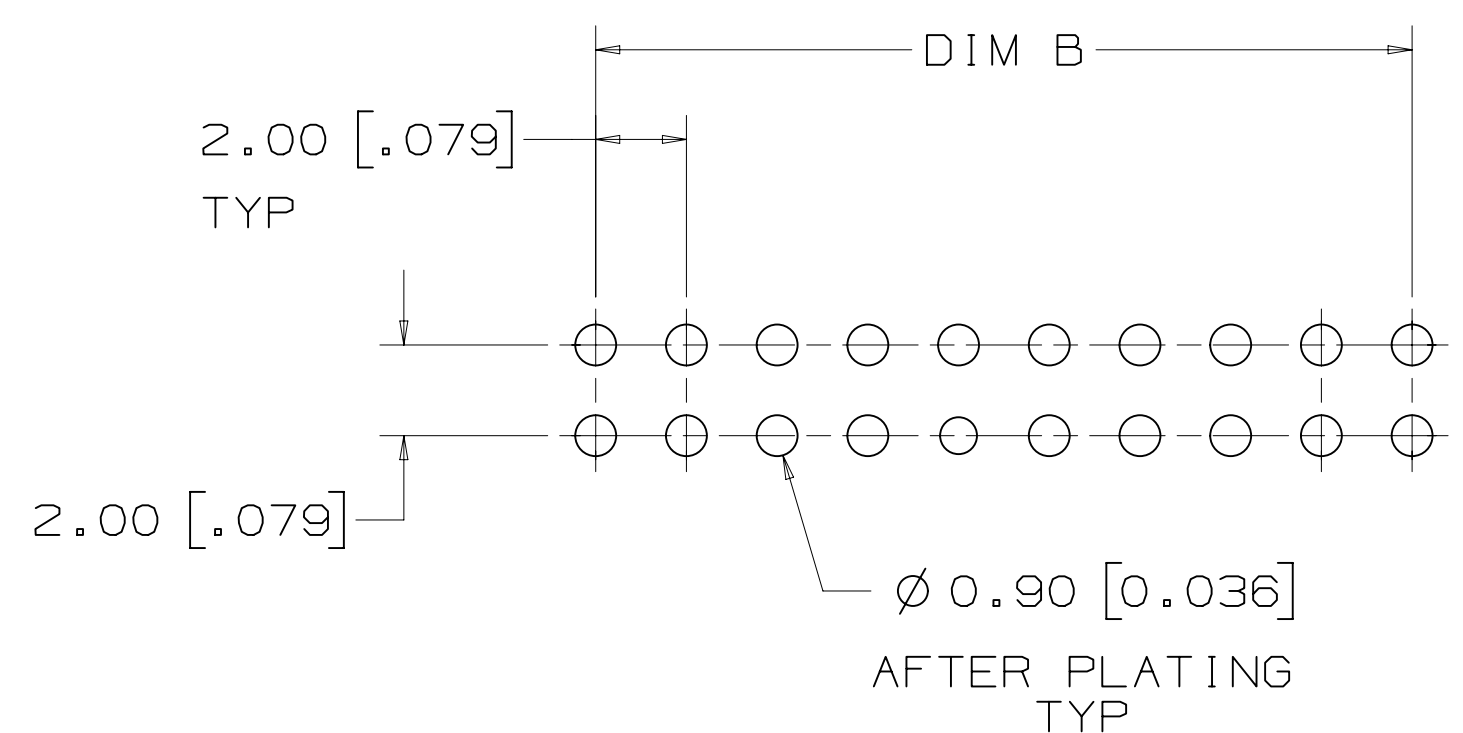


3M™ Shrouded Board Mount Header 2 mm X 2 mm Pitch 159 Series, Standard Length 3 and Extended Length 4



RECOMMENDED PCB HOLE PATTERN
TOLERANCE = 0.05 [.002]



PERFORMANCE 5 7	
CURRENT:	1A, 6 LINES ENERGIZED
INSULATION RESISTANCE:	>1 X 10 ⁹ OHMS AT 500 VDC
WITHSTANDING VOLTAGE:	500 VACrms AT SEA LEVEL
TEMPERATURE RATING:	-55° C TO +105° C
SOLDER PROCESS TEMPERATURE:	260° C MAX PER IPC/JEDEC J-STD-020D

REFERENCE TABLE ON SHEET 4
FOR AVAILABLE TAIL POSITIONS AND
SOLDER TAIL LENGTHS

METRIC [ENGLISH]

NOTES

- 1 MATERIAL:
BODY: HIGH TEMPERATURE
GLASS FILLED LCP, BLACK
UL94V-0
CONTACTS: COPPER ALLOY
- 2 PLATING:
2.03-3.81 μm [80-150 μin]
NICKEL UNDERPLATE.
0.38 μm [15 μin] OR
0.76 μm [30 μin] AVG GOLD
ON WIPING AREA.
5.08 μm [200 μin] MIN
MATTE TIN ON SOLDER TAILS.
- 3 STANDARD LENGTH HEADERS
MATE WITH 3M™ SOCKETS,
158 SERIES (REFERENCE 3M
DRAWING 78-5100-2358-9).
- 4 EXTENDED LENGTH HEADERS
MATE WITH 3M™ SOCKETS,
870 SERIES.
- 5 FOR PRODUCT
SPECIFICATIONS AND
WARRANTY INFORMATION SEE
3M 78-5102-0078-1.
- 6 SEE THE REGULATORY
INFORMATION APPENDIX (RIA)
IN THE "ROHS COMPLIANCE"
SECTION OF
WWW.3MCONNECTOR.COM FOR
COMPLIANCE INFORMATION
(RIA E1 & C1 APPLY).
- 7 IN THE EVENT OF CONFLICT
BETWEEN THIS DATA AND
THAT CONTAINED IN THE
PRODUCT SPECIFICATION,
THE PRODUCT SPECIFICATION
TAKES PRECEDENT.

DESIGN REFERENCE	NEXT ASSEMBLY	REV	ECO	ISSUE DATE AND DESCRIPTION	DRFT	CHKD
DIVISION	DIVISION CODE	DATE	DATE	DATE	DATE	DATE
		JUL 29, 2010				
DO NOT SCALE DRAWING	SCALE 6/1	TOLERANCES EXCEPT AS NOTED				
THIRD ANGLE PROJECTION	INTERPRET PER ASME Y14.5 - 1994	TOLERANCES EXCEPT AS NOTED	TITLE 3M SHROUDED BOARD MOUNT HEADER 2 MM X 2 MM PITCH 159 SERIES			
MAX SURFACE ROUGHNESS 125	<input type="checkbox"/> ALL SURFACES <input checked="" type="checkbox"/> MARKED ONLY	ANGLES ±1°	CAGE NUMBER	SIZE	DRAWING NO.	REV.
			D		78-5100-2359-7	A
			MODEL	DET	ISTS	YES <input type="checkbox"/> NO <input checked="" type="checkbox"/> SHT 1 OF 4

78-5100-2359-7
DRAWING NUMBER

REVISION

A

B

C

D

A

3M™ Shrouded Board Mount Header 2 mm X 2 mm Pitch 159 Series, Standard Length 3 and Extended Length 4



RECOMMENDED PCB HOLE PATTERN
TOLERANCE = ±0.05 [.002]



POLARIZATION SLOT
RIGHT ANGLE HEADER
6-12 POSITIONS ONLY



POLARIZATION SLOT AND
DUAL FRICTION LATCHES
RIGHT ANGLE HEADER
14-50 POSITIONS



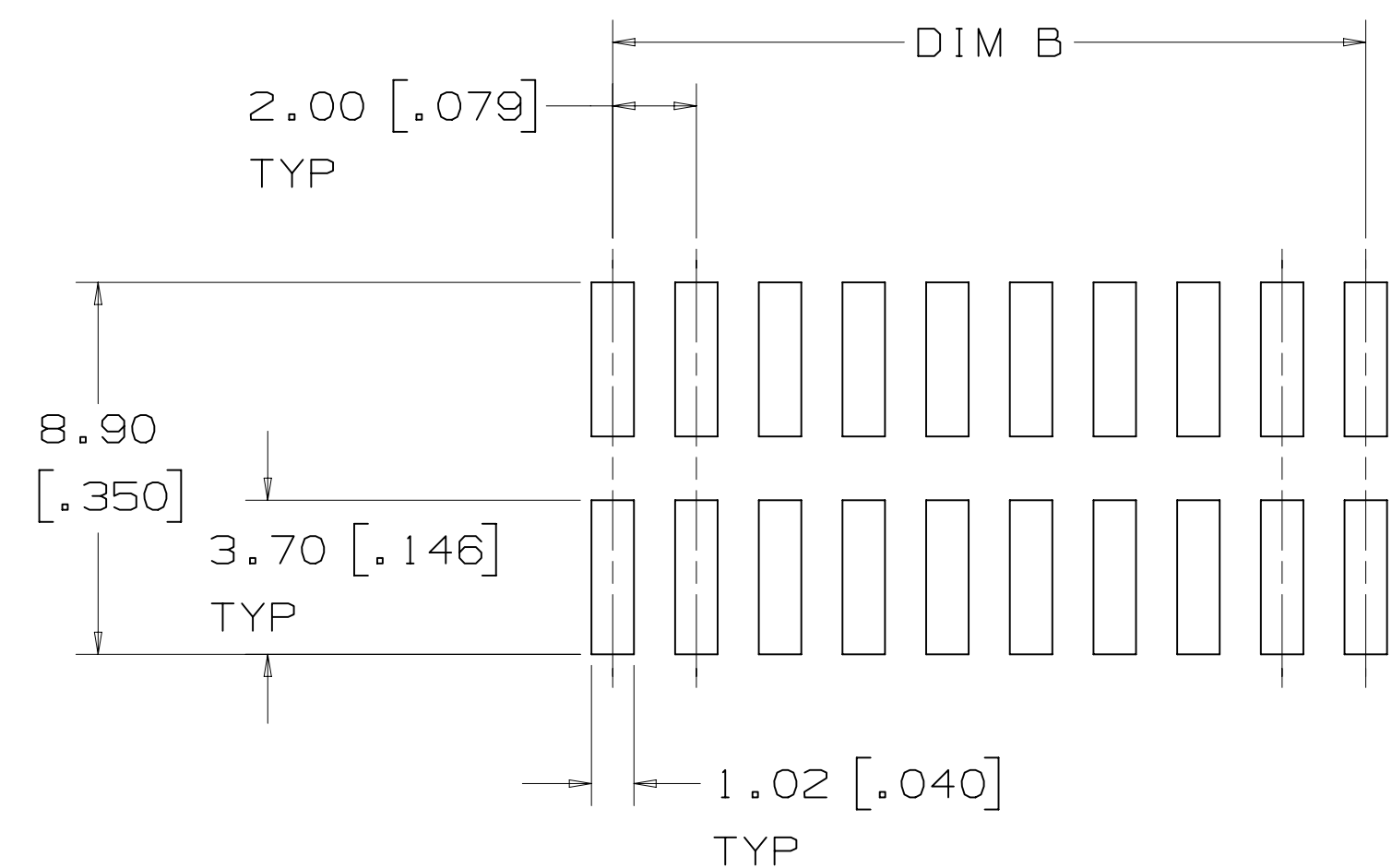
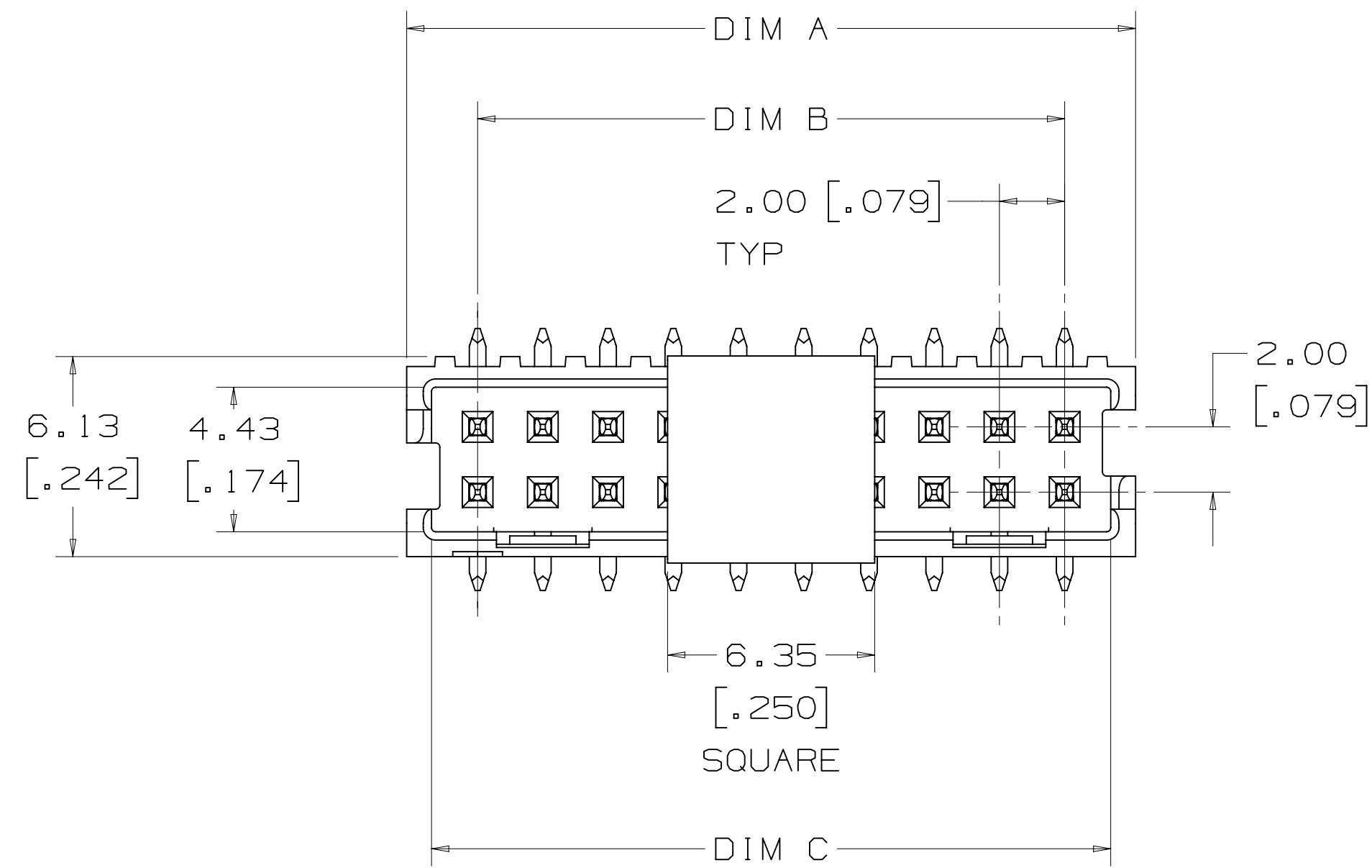
SINGLE FRICTION LATCH
RIGHT ANGLE HEADER
6-12 POSITIONS ONLY

REFERENCE TABLE ON SHEET 4
FOR AVAILABLE POSITIONS AND
SOLDER TAIL LENGTHS

METRIC [ENGLISH]

DESIGN REFERENCE	NEXT ASSEMBLY	REV	ECO	ISSUE DATE AND DESCRIPTION	DRFT	CHKD
				OCT 28, 2010 INITIAL RELEASE	LDS	SF
DATE	DATE	DATE	DATE	DATE	DATE	DATE
				JUL 29, 2010		
DRFT	DATE	APPR	DATE	DATE	DATE	DATE
				AUG 09, 2010		
DIVISION	DIVISION CODE	© 3M COPYRIGHT 2010 This document and the information it contains are 3M property and may not be reproduced or further distributed without 3M permission, or used or disclosed other than for 3M authorized purposes. All rights reserved.				
DO NOT SCALE DRAWING	SCALE 4/1	TOLERANCES EXCEPT AS NOTED INCHES .00 ± .000 ± .0000 ±				
THIRD ANGLE PROJECTION	INTERPRET PER ASME Y14.5 - 1994	MILLIMETERS 0 ± .00 ± .00 ± 0.13 .000 ±				
MAX SURFACE ROUGHNESS 125	ALL SURFACES MARKED ONLY	ANGLES ±1°				
CAGE NUMBER	SIZE	DRAWING NO.	REV.	MODEL		
D78-5100-2359-7		D78-5100-2359-7	A	SHEET 2 OF 4		

3M™ Shrouded Board Mount Header 2 mm X 2 mm Pitch 159 Series, Standard Length 3 and Extended Length 4



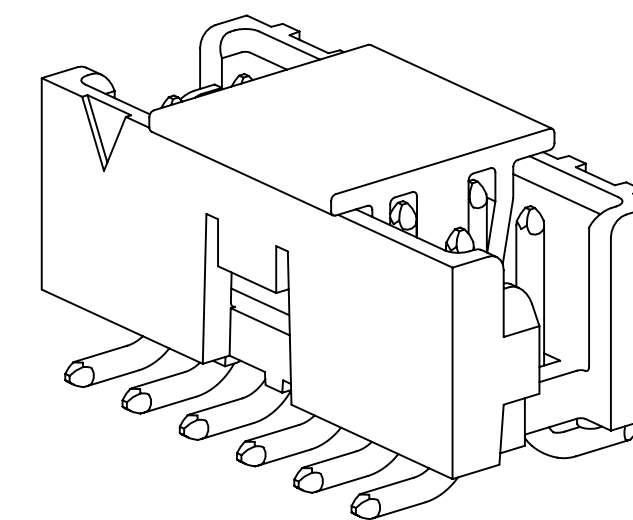
RECOMMENDED PCB PAD PATTERN
TOLERANCE = ±0.08 [0.003]



POLARIZATION SLOT
SURFACE MOUNT HEADER
6-12 POSITIONS ONLY



POLARIZATION SLOT AND
DUAL FRICTION LATCHES
SURFACE MOUNT HEADER
14-50 POSITIONS



SINGLE FRICTION LATCH
SURFACE MOUNT HEADER
6-12 POSITIONS ONLY

REFERENCE TABLE ON SHEET 4
FOR AVAILABLE POSITIONS

METRIC (ENGLISH)

DESIGN REFERENCE	NEXT ASSEMBLY	REV	ECO	ISSUE DATE AND DESCRIPTION	DRFT	CHKD
DIVISION		DIVISION CODE		DATE		
DO NOT SCALE DRAWING		SCALE 4/1		TOLERANCES EXCEPT AS NOTED		
THIRD ANGLE PROJECTION		INCHES		MILLIMETERS		
INTERPRET PER ASME Y14.5 - 1994		0 ±		0 ±		
MAX SURFACE ROUGHNESS		0.00 ± 0.13		0.00 ±		
125 / ALL SURFACES		0.000 ±		0.000 ±		
✓ MARKED ONLY		ANGLES ±1°		ANGLES ±1°		
A 30741		OCT 28, 2010		LDS SF		
L. SCHMIDT		JUL 29, 2010		S FELDMAN		
3M Center St. Paul, MN 55144		© 3M COPYRIGHT 2010		This document and the information it contains are 3M property and may not be reproduced or further distributed without 3M permission, or used or disclosed other than for 3M authorized purposes. All rights reserved.		
TITLE		3M SHROUDED BOARD MOUNT HEADER 2 MM X 2 MM PITCH 159 SERIES				
CAGE NUMBER		D 78-5100-2359-7		REV. A		
MODEL		SHT 3 OF 4				

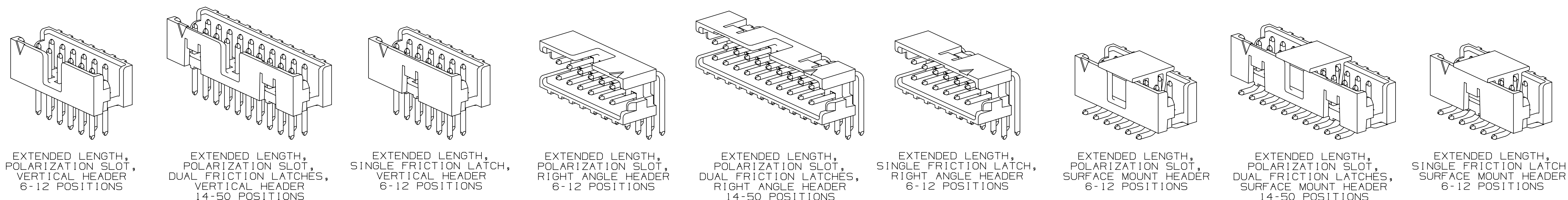
3M™ Shrouded Board Mount Header 2 mm X 2 mm Pitch 159 Series, Standard Length 3

STANDARD LENGTH HEADERS ARE AVAILABLE



3M™ Shrouded Board Mount Header 2 mm X 2 mm Pitch 159 Series, Extended Length 4

CALL 3M INTERCONNECT SOLUTIONS AT 800-225-5373 FOR AVAILABILITY OF EXTENDED LENGTH HEADERS



ORDERING INFORMATION

TIER 1 - BEST
 1591XX-XXXX

TIER 1 = BEST 0.76 μm [30 μin] GOLD

CONTACT TAIL LENGTH
 2 = 2.84 mm [.112]
 3 = 3.94 mm [.155]

POSITION COUNT (SEE TABLE)

PART CONFIGURATION
 2 = VERTICAL SMT
 5 = RIGHT ANGLE THRU HOLE
 6 = VERTICAL THRU HOLE

BODY LENGTH
 0 = STANDARD LENGTH (MATES TO 158 SERIES)
 1 = EXTENDED LENGTH (MATES TO 870 SERIES)

POLARIZATION/LATCHING
 0 = POLARIZATION SLOT AND DUAL FRICTION LATCHES (14-50 POSITIONS ONLY)
 1 = POLARIZATION SLOT (6-12 POSITIONS ONLY)
 2 = SINGLE FRICTION LATCH (6-12 POSITIONS ONLY)

TIER 2 - BETTER
 1592XX-XXXX

TIER 2 = BETTER 0.38 μm [15 μin] GOLD

CONTACT TAIL LENGTH
 2 = 2.84 mm [.112]
 3 = 3.94 mm [.155]

POSITION COUNT (SEE TABLE)

PART CONFIGURATION
 2 = VERTICAL SMT
 5 = RIGHT ANGLE THRU HOLE
 6 = VERTICAL THRU HOLE

BODY LENGTH
 0 = STANDARD LENGTH (MATES TO 158 SERIES)
 1 = EXTENDED LENGTH (MATES TO 870 SERIES)

POLARIZATION/LATCHING
 0 = POLARIZATION SLOT AND DUAL FRICTION LATCHES (14-50 POSITIONS ONLY)
 1 = POLARIZATION SLOT (6-12 POSITIONS ONLY)
 2 = SINGLE FRICTION LATCH (6-12 POSITIONS ONLY)

NUMBER OF POSITIONS	SHROUDED BOX HEADER						DIM D	
	DIM A		DIM B	DIM C				
	STANDARD	EXTENDED		STANDARD	EXTENDED			
6	8.35 [.329]	9.52 [.375]	4.00 [.157]	6.83 [.269]	7.99 [.315]	2.84 [.112]	3.94 [.155]	
8	10.35 [.407]	11.52 [.453]	6.00 [.236]	8.83 [.347]	9.99 [.393]	2.84 [.112]	3.94 [.155]	
10	12.35 [.486]	13.52 [.532]	8.00 [.315]	10.83 [.426]	11.99 [.472]	2.84 [.112]	3.94 [.155]	
12	14.35 [.565]	15.52 [.611]	10.00 [.394]	12.83 [.505]	13.99 [.551]	2.84 [.112]	3.94 [.155]	
14	16.36 [.644]	17.52 [.690]	12.00 [.472]	14.83 [.584]	15.99 [.630]	2.84 [.112]	3.94 [.155]	
16	18.35 [.722]	19.52 [.768]	14.00 [.551]	16.83 [.662]	17.99 [.708]	2.84 [.112]	3.94 [.155]	
20	22.35 [.880]	23.52 [.926]	18.00 [.709]	20.83 [.820]	21.99 [.866]	2.84 [.112]	3.94 [.155]	
22	24.35 [.959]	25.52 [1.005]	20.00 [.787]	22.83 [.899]	23.99 [.945]	2.84 [.112]	3.94 [.155]	
24	26.35 [1.037]	27.52 [1.083]	22.00 [.866]	24.83 [.977]	25.99 [1.023]	2.84 [.112]	3.94 [.155]	
26	28.35 [1.116]	29.52 [1.162]	24.00 [.945]	26.83 [1.056]	27.99 [1.102]	2.84 [.112]	3.94 [.155]	
30	32.35 [1.274]	33.52 [1.320]	28.00 [1.102]	30.83 [1.214]	31.99 [1.260]	2.84 [.112]	3.94 [.155]	
34	36.35 [1.431]	37.52 [1.477]	32.00 [1.260]	34.83 [1.371]	35.99 [1.417]	2.84 [.112]	3.94 [.155]	
40	42.35 [1.667]	43.52 [1.713]	38.00 [1.496]	40.83 [1.607]	41.99 [1.653]	2.84 [.112]	3.94 [.155]	
44	46.35 [1.825]	47.52 [1.871]	42.00 [1.654]	44.83 [1.765]	45.99 [1.811]	2.84 [.112]	3.94 [.155]	
50	52.35 [2.061]	53.52 [2.107]	48.00 [1.890]	50.83 [2.001]	51.99 [2.047]	2.84 [.112]	3.94 [.155]	

METRIC (ENGLISH)

DESIGN REFERENCE	NEXT ASSEMBLY	REV	ECO	ISSUE DATE AND DESCRIPTION	DRFT	CHKD
				INITIAL RELEASE	LDS	SF
DISTRICT CODES		DRP	DATE	MFG	DATE	
		L. SCHMIDT	JUL 29, 2010			
DIVISION	DIVISION CODE	CHKD	DATE	APPV	DATE	
		S FELDMAN	AUG 09, 2010			
DO NOT SCALE DRAWING	SCALE 4/1	TOLERANCES EXCEPT AS NOTED				
THIRD ANGLE PROJECTION	INTERPRET PER ASME Y14.5 - 1994	INCHES .00 ± .000 ± .0000 ±		MILLIMETERS 0 ± .00 ±0.13 .000 ±		
MAX SURFACE ROUGHNESS 125	ALL SURFACES MARKED ONLY	ANGLS ±1°		TITLE 3M SHROUDED BOARD MOUNT HEADER 2 MM X 2 MM PITCH 159 SERIES		
		CAGE NUMBER	SIZE	DRAWING NO.	REV.	
		D		78-5100-2359-7	A	
		MODEL				

78-5100-2359-7 DRAWING NUMBER

A

SHT 4 OF 4

Компания «Океан Электроники» предлагает заключение долгосрочных отношений при поставках импортных электронных компонентов на взаимовыгодных условиях!

Наши преимущества:

- Поставка оригинальных импортных электронных компонентов напрямую с производств Америки, Европы и Азии, а так же с крупнейших складов мира;
- Широкая линейка поставок активных и пассивных импортных электронных компонентов (более 30 млн. наименований);
- Поставка сложных, дефицитных, либо снятых с производства позиций;
- Оперативные сроки поставки под заказ (от 5 рабочих дней);
- Экспресс доставка в любую точку России;
- Помощь Конструкторского Отдела и консультации квалифицированных инженеров;
- Техническая поддержка проекта, помощь в подборе аналогов, поставка прототипов;
- Поставка электронных компонентов под контролем ВП;
- Система менеджмента качества сертифицирована по Международному стандарту ISO 9001;
- При необходимости вся продукция военного и аэрокосмического назначения проходит испытания и сертификацию в лаборатории (по согласованию с заказчиком);
- Поставка специализированных компонентов военного и аэрокосмического уровня качества (Xilinx, Altera, Analog Devices, Intersil, Interpoint, Microsemi, Actel, Aeroflex, Peregrine, VPT, Syfer, Eurofarad, Texas Instruments, MS Kennedy, Miteq, Cobham, E2V, MA-COM, Hittite, Mini-Circuits, General Dynamics и др.);

Компания «Океан Электроники» является официальным дистрибьютором и эксклюзивным представителем в России одного из крупнейших производителей разъемов военного и аэрокосмического назначения «JONHON», а так же официальным дистрибьютором и эксклюзивным представителем в России производителя высокотехнологичных и надежных решений для передачи СВЧ сигналов «FORSTAR».



JONHON

«JONHON» (основан в 1970 г.)

Разъемы специального, военного и аэрокосмического назначения:

(Применяются в военной, авиационной, аэрокосмической, морской, железнодорожной, горно- и нефтедобывающей отраслях промышленности)

«FORSTAR» (основан в 1998 г.)

ВЧ соединители, коаксиальные кабели, кабельные сборки и микроволновые компоненты:

(Применяются в телекоммуникациях гражданского и специального назначения, в средствах связи, РЛС, а так же военной, авиационной и аэрокосмической отраслях промышленности).



Телефон: 8 (812) 309-75-97 (многоканальный)

Факс: 8 (812) 320-03-32

Электронная почта: ocean@oceanchips.ru

Web: <http://oceanchips.ru/>

Адрес: 198099, г. Санкт-Петербург, ул. Калинина, д. 2, корп. 4, лит. А