

| REVISIONS | | | | |
|-----------|---------|------------------|------------|----------|
| REV. | ECN/E-R | DESCRIPTION | DATE | APPROVED |
| B | | CUSTOMER DRAWING | 2006/04/05 | J.SI |
| C | | UPDATED | 2006/08/09 | |
| D | | UPDATED | 2007/01/02 | |



AMPHENOL PART NUMBER CONFIGURATION:

UE78 - A 1 1 1 8 - 0 X X X X

OPTIONAL DUST COVER
 0 - WITHOUT DUST COVER
 D - WITH DUST COVER (SHIP LOOSE)

PLATING OPTIONS FOR CONNECTOR
 2 - 30µ" GOLD PLATING ON MATING AREA
 GOLD FLASH ON TERMINATION
 3 - 30µ" GOLD PLATING ON MATING AREA
 150-300µ" MATTE TIN ON TERMINATION
 5 - 15µ" GOLD PLATING ON MATING AREA
 GOLD FLASH ON TERMINATION
 6 - 15µ" GOLD PLATING ON MATING AREA
 150-300µ" MATTE TIN ON TERMINATION

PACKAGING OPTIONS
 T - TAPE AND REEL PACKAGING
 FOR BOTH CONNECTORS AND
 CAGES
 H - TAPE AND REEL FOR
 CONNECTORS TRAY FOR
 CAGES

PLATING OPTIONS FOR CAGE
 1 - TIN
 2 - NICKEL

MATERIAL (RoHS COMPLIANCE):

CAGE:
 COPPER ALLOY
 PLATING OPTION 1: 100µ" [2.54 µm] TIN PLATING OVER
 50 µ" (1.27 µm) NICKEL UNDER PLATING.
 PLATING OPTION 2: 100µ" [2.54 µm] NICKEL PLATING
 (NOT FOR SOLDER PINS).
DUST COVER
 THERMOPLASTIC, COLOR BLACK.
PACKAGING:
 TAPE AND REEL OR TRAY PACKAGING.
 TEMPERATURE RANGE: -40 °C TO +85 °C

CONNECTOR:

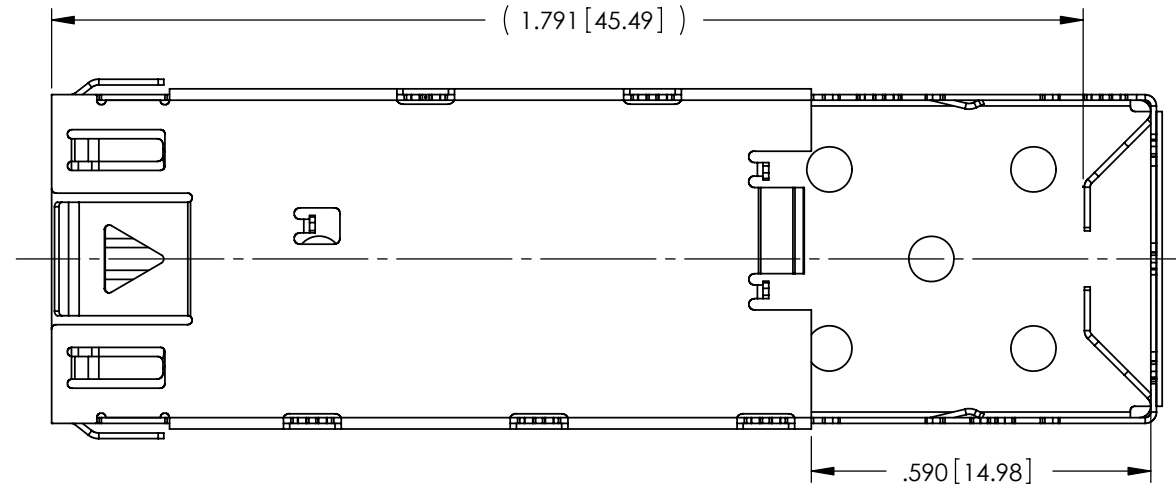
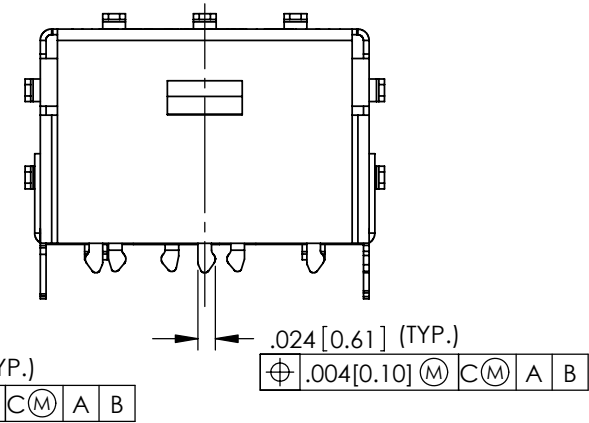
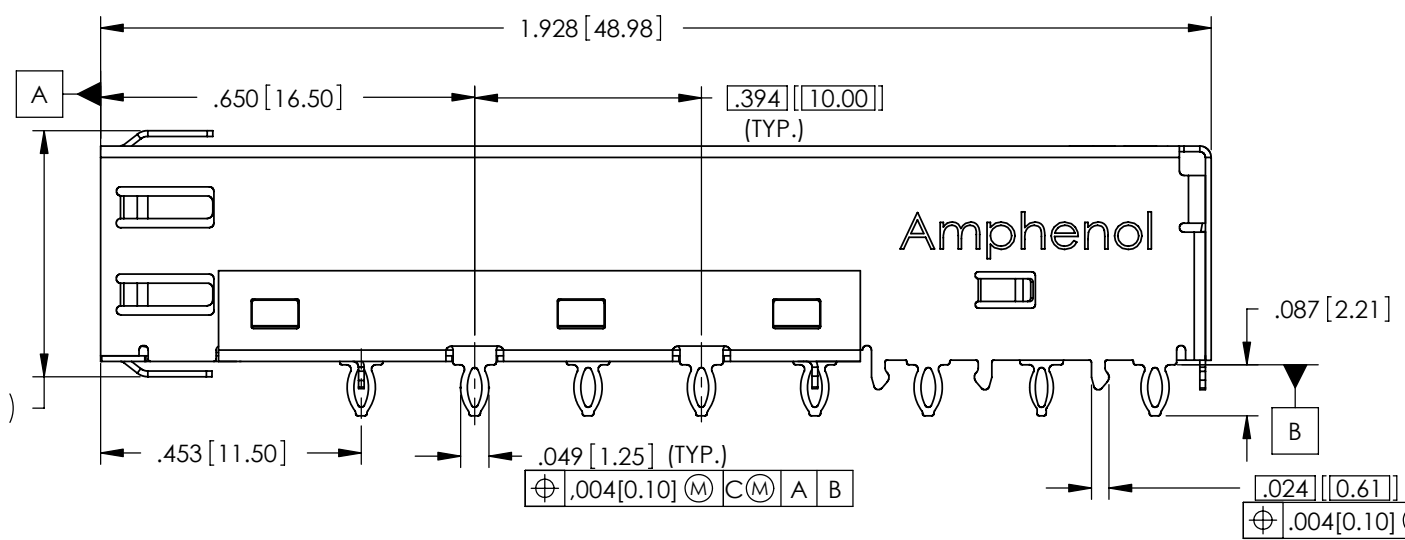
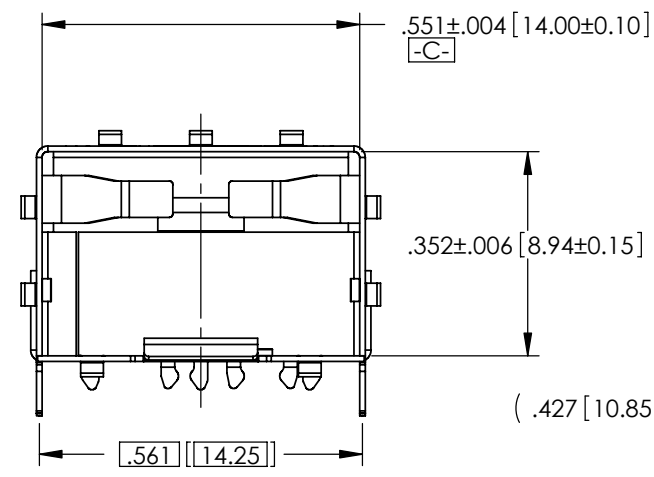
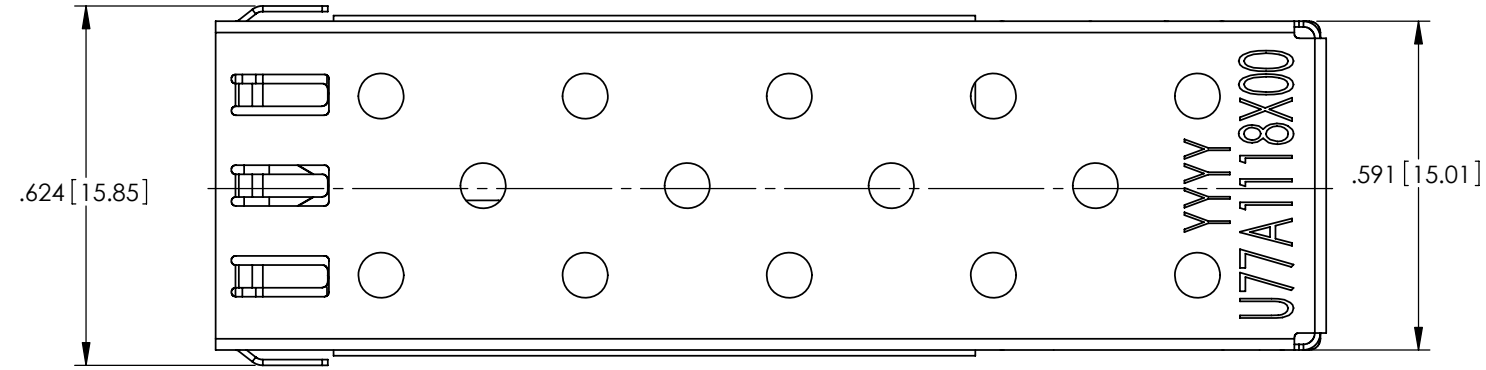
PLASTIC HOUSING:
 HIGH TEMPERATURE RESISTANT NYLON FLAMMABILITY RATING UL94V-0.
CONTACTS:
 PHOSPHOR BRONZE
 PLATING OPTION 2: 30µ" [0.76 µm] GOLD ON MATING AREA AND 2 µ"
 (0.05 µm) GOLD FLASH PLATING ON TERMINATION OVER
 50µ"[1.27µm] NICKEL UNDER LAYER.
 PLATING OPTION 3: 30µ" [0.76 µm] GOLD ON MATING AREA AND
 150-300 µ" (3.81-7.62 µm) LOW WHISKER MATTE TIN PLATING
 ON TERMINATION OVER 50µ" [1.27 µm] NICKEL UNDER LAYER.
 PLATING OPTION 5: 15µ" GOLD PLATING ON MATING AREA
 GOLD FLASH ON TERMINATION
 PLATING OPTION 6: 15µ" GOLD PLATING ON MATING AREA
 150-300µ" (3.81-7.62 µm) MATTE TIN ON TERMINATION
PACKAGING:
 TAPE AND REEL.
 TEMPERATURE RANGE: -40 °C TO +85 °C

DO NOT SCALE DRAWING

THIS DOCUMENT CONTAINS PROPRIETARY INFORMATION AND SUCH INFORMATION MAY NOT BE DISCLOSED TO OTHERS FOR ANY PURPOSE OR USED FOR MANUFACTURING PUPOSES WITHOUT PERMISSION FROM AMPHENOL CANADA CORP.

| | | | | | |
|------------------|-------|-------------|--|--------------------------------|-----------------|
| APPROVALS | | DATE | Amphenol Canada Corp. | | |
| DRAWN | A.LIU | 2006/02/13 | | | |
| DESIGNED | J.SI | 2006/02/13 | TITLE SFP CAGE + CONNECTOR 1X1 8 PRESS FIT / 12 EMI PINS | | |
| CHECKED | J.SI | 2006/02/13 | | | |
| QA APPD | X | X | | | |
| IE APPD | X | X | SIZE A3 | DWG. NO. P-UE78-A1118-0XXXX | REV. D |
| DWG APPD | | | SCALE 2:1 | PROJECT | SHEET 1 OF 7 |

| REVISIONS | | | | |
|-----------|---------|------------------|------------|----------|
| REV. | ECN/E-R | DESCRIPTION | DATE | APPROVED |
| B | | CUSTOMER DRAWING | 2006/04/05 | J.SI |
| C | | UPDATED | 2006/08/09 | |
| D | | UPDATED | 2007/01/02 | |

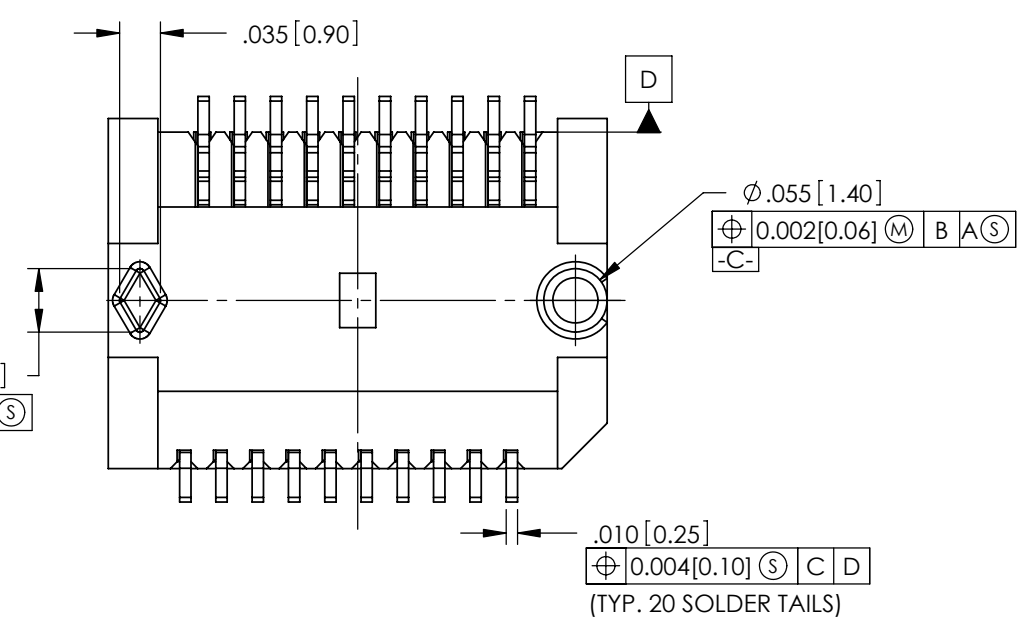


DO NOT SCALE DRAWING

THIS DOCUMENT CONTAINS PROPRIETARY INFORMATION AND SUCH INFORMATION MAY NOT BE DISCLOSED TO OTHERS FOR ANY PURPOSE OR USED FOR MANUFACTURING PUPOSES WITHOUT PERMISSION FROM AMPHENOL CANADA CORP.

| APPROVALS | | DATE | Amphenol Canada Corp. | | |
|-----------|-------|------------|---|--------------------|--------|
| DRAWN | A.LIU | 2006/02/13 | TITLE | | |
| DESIGNED | J.SI | 2006/02/13 | SFP CAGE + CONNECTOR 1X1 8 PRESS FIT / 12 EMI PINS | | |
| CHECKED | J.SI | 2006/02/13 | REV. D | | |
| QA APPD | X | X | SIZE | DWG. NO. | REV. |
| IE APPD | X | X | A3 | P-UE78-A1118-OXXXX | D |
| DWG APPD | | | SCALE | PROJECT | SHEET |
| | | | 2:1 | | 2 OF 7 |

| REVISIONS | | | | |
|-----------|---------|------------------|------------|----------|
| REV. | ECN/E-R | DESCRIPTION | DATE | APPROVED |
| B | | CUSTOMER DRAWING | 2006/04/05 | J.SI |
| C | | UPDATED | 2006/08/09 | |
| D | | UPDATED | 2007/01/02 | |



$\phi 0.002 [0.06] (M) B A (S) C (S)$

DO NOT SCALE DRAWING

THIS DOCUMENT CONTAINS PROPRIETARY INFORMATION AND SUCH INFORMATION MAY NOT BE DISCLOSED TO OTHERS FOR ANY PURPOSE OR USED FOR MANUFACTURING PURPOSES WITHOUT PERMISSION FROM AMPHENOL CANADA CORP.

| APPROVALS | | DATE | Amphenol Canada Corp. | | |
|-----------|-------|------------|---|--------------------------------|-----------------|
| DRAWN | A.LIU | 2006/02/13 | TITLE | | |
| DESIGNED | J.SI | 2006/02/13 | SFP CAGE + CONNECTOR 1X1 8 PRESS FIT / 12 EMI PINS | | |
| CHECKED | J.SI | 2006/02/13 | | | |
| QA APPD | X | X | | | |
| IE APPD | X | X | SIZE A3 | DWG. NO. P-UE78-A1118-0XXXX | REV. D |
| DWG APPD | | | SCALE 4:1 | PROJECT | SHEET 3 OF 7 |

| REVISIONS | | | | |
|-----------|---------|------------------|------------|----------|
| REV. | ECN/E-R | DESCRIPTION | DATE | APPROVED |
| B | | CUSTOMER DRAWING | 2006/04/05 | |
| C | | UPDATED | 2006/08/09 | |
| D | | UPDATED | 2007/01/02 | |



TOP VIEW OF BOAD



BOTTOM VIEW OF BOAD

RECOMMENDED LAYOUT DETAIL
MATING TRANSCEIVER PCB

DO NOT SCALE DRAWING

THIS DOCUMENT CONTAINS PROPRIETARY INFORMATION AND SUCH INFORMATION MAY NOT BE DISCLOSED TO OTHERS FOR ANY PURPOSE OR USED FOR MANUFACTURING PUPOSES WITHOUT PERMISSION FROM AMPHENOL CANADA CORP.

| | | | | | |
|-----------|-------|------------|--|--------------------------------|-----------------|
| APPROVALS | | DATE | Amphenol Canada Corp. | | |
| DRAWN | A.LIU | 2006/02/13 | TITLE SFP CAGE + CONNECTOR 1X1 8 PRESS FIT / 12 EMI PINS | | |
| DESIGNED | J.SI | 2006/02/13 | | | |
| CHECKED | J.SI | 2006/02/13 | | | |
| QA APPD | X | X | | | |
| IE APPD | X | X | SIZE A3 | DWG. NO. P-UE78-A1118-0XXXX | REV. D |
| DWG APPD | | | SCALE 4:1 | PROJECT | SHEET 4 OF 7 |

REVISIONS

| REV. | ECN/E-R | DESCRIPTION | DATE | APPROVED |
|------|---------|------------------|------------|----------|
| B | | CUSTOMER DRAWING | 2006/04/05 | J.SI |
| C | | UPDATED | 2006/08/09 | |
| D | | UPDATED | 2007/01/02 | |

NOTES;
 1. DATUM AND BASIC DIMENTIONS ESTABLISHED BY CUSTOMER
 2. PADS AND VIAS ARE CHASSIS GROUND, 11 PLACES.
 3. THROUGH HOLES, PLATING OPTIONAL.

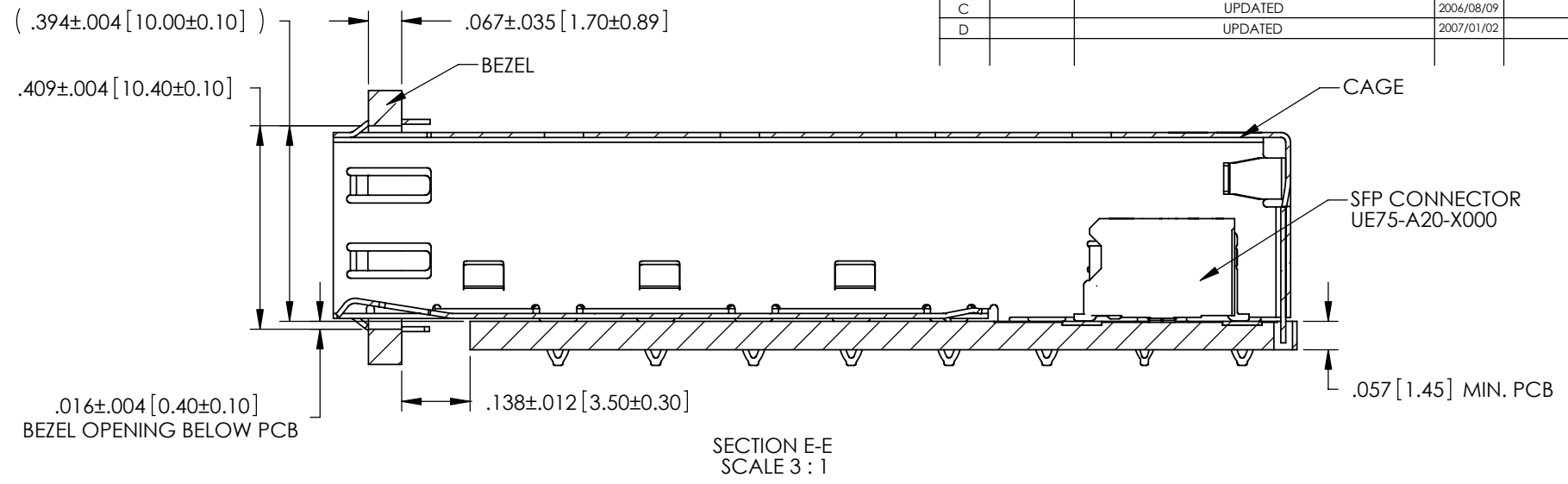
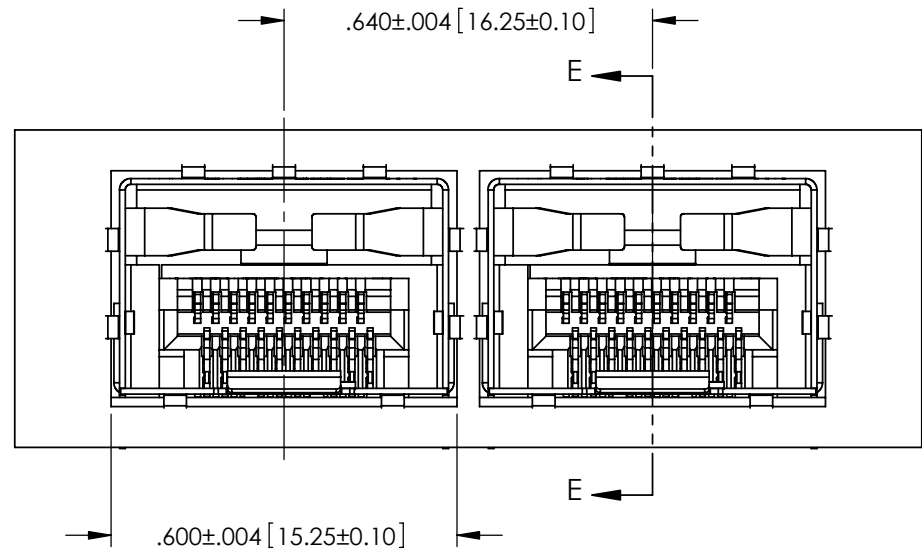


DO NOT SCALE DRAWING

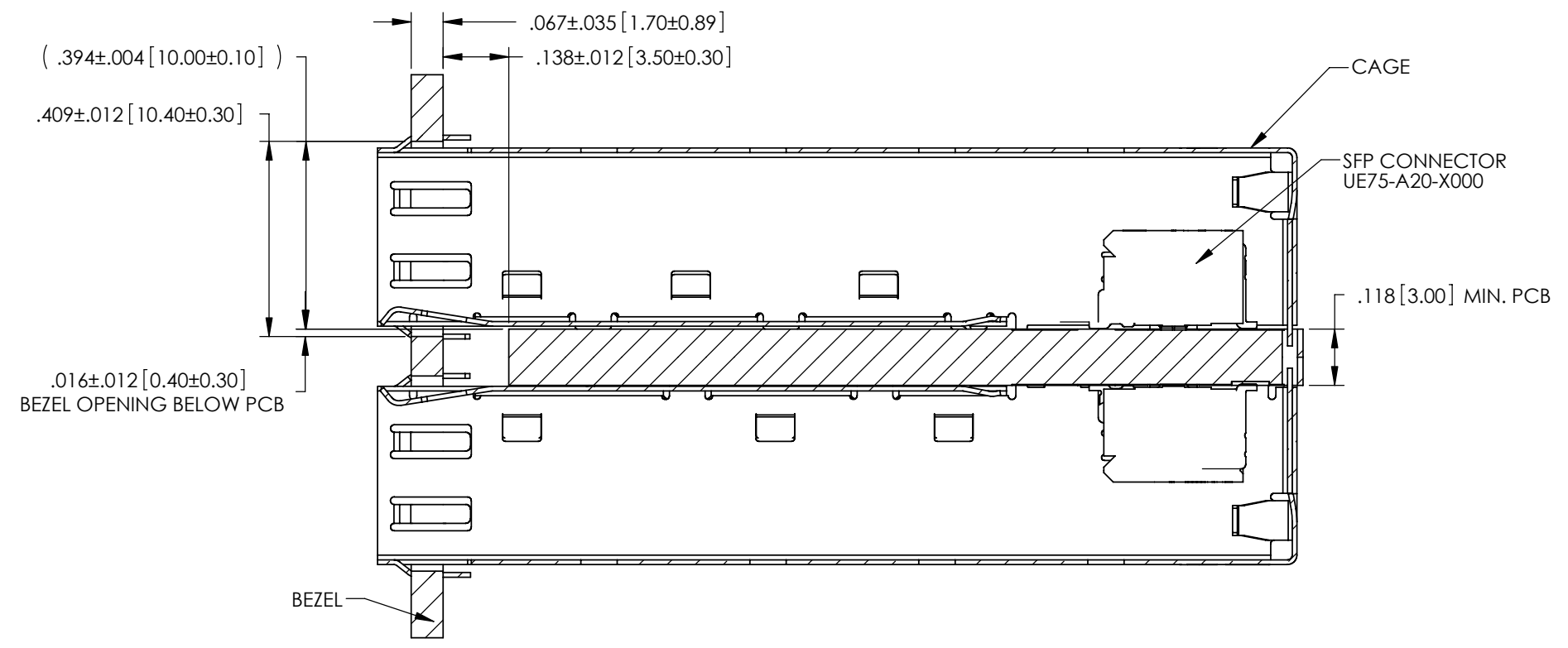
THIS DOCUMENT CONTAINS PROPRIETARY INFORMATION AND SUCH INFORMATION MAY NOT BE DISCLOSED TO OTHERS FOR ANY PURPOSE OR USED FOR MANUFACTURING PUPOSES WITHOUT PERMISSION FROM AMPHENOL CANADA CORP.

| APPROVALS | | DATE | Amphenol Canada Corp. | |
|-----------|-------|------------|---|----------------------|
| DRAWN | A.LIU | 2006/02/13 | TITLE | |
| DESIGNED | J.SI | 2006/02/13 | SFP CAGE + CONNECTOR 1X1 8 PRESS FIT / 12 EMI PINS | |
| CHECKED | J.SI | 2006/02/13 | SIZE | DWG. NO. |
| QA APPD | X | X | A3 | P-UE78-A1118-0XXXX |
| IE APPD | X | X | SCALE | REV. D |
| DWG APPD | | | 2:1 | PROJECT SHEET 5 OF 7 |

| REVISIONS | | | | |
|-----------|---------|------------------|------------|----------|
| REV. | ECN/E-R | DESCRIPTION | DATE | APPROVED |
| B | | CUSTOMER DRAWING | 2006/04/05 | J.SI |
| C | | UPDATED | 2006/08/09 | |
| D | | UPDATED | 2007/01/02 | |



RECOMMENDED BEZEL DESIGN
(ONE SIDE CAGE MOUNTING)

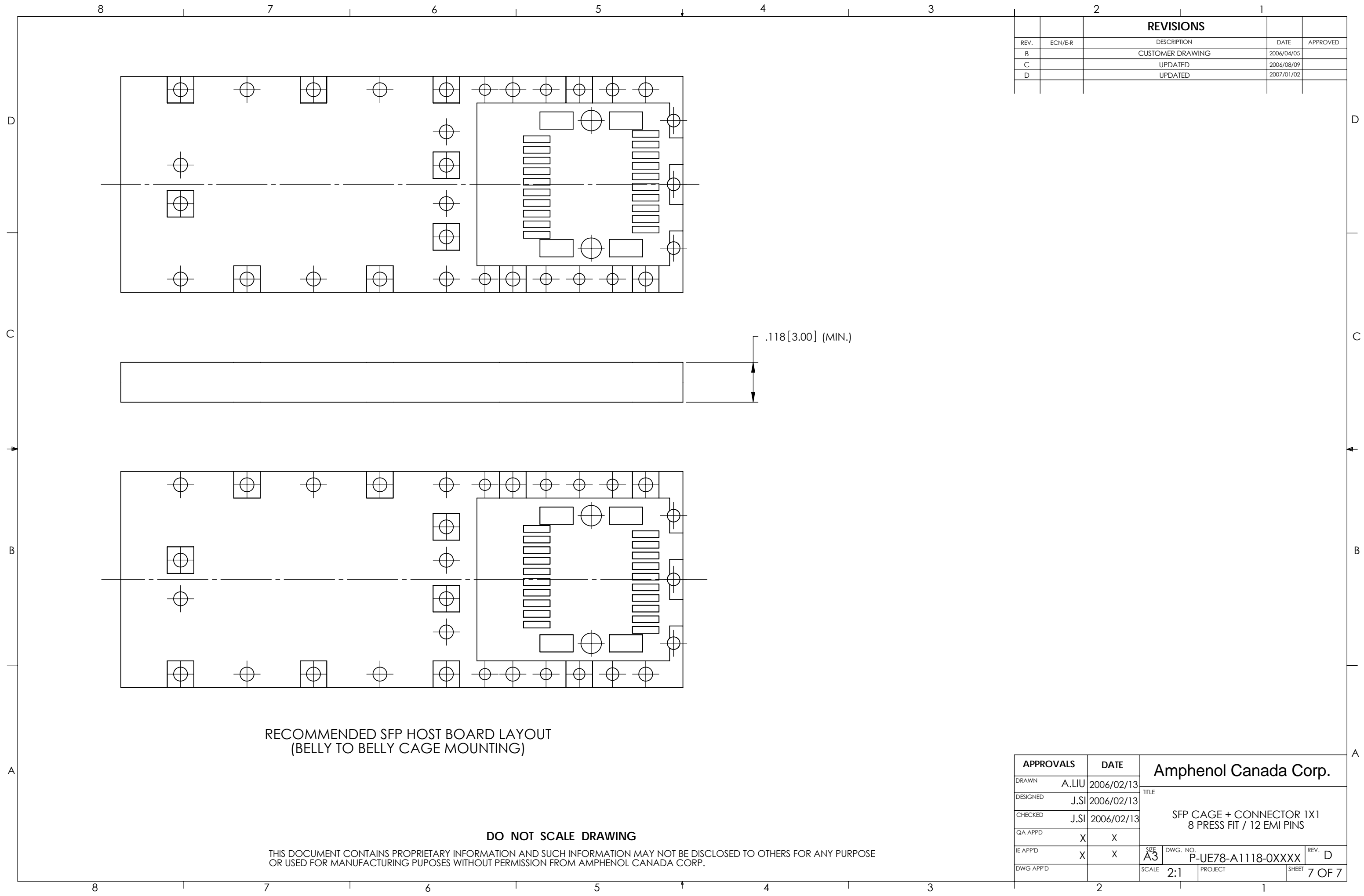


RECOMMENDED BEZEL DESIGN
(BELLY TO BELLY CAGE MOUNTING)

DO NOT SCALE DRAWING

THIS DOCUMENT CONTAINS PROPRIETARY INFORMATION AND SUCH INFORMATION MAY NOT BE DISCLOSED TO OTHERS FOR ANY PURPOSE OR USED FOR MANUFACTURING PUPOSES WITHOUT PERMISSION FROM AMPHENOL CANADA CORP.

| APPROVALS | | DATE | Amphenol Canada Corp. | |
|-----------|-------|------------|---|--------------------------------|
| DRAWN | A.LIU | 2006/02/13 | TITLE | |
| DESIGNED | J.SI | 2006/02/13 | SFP CAGE + CONNECTOR 1X1 8 PRESS FIT / 12 EMI PINS | |
| CHECKED | J.SI | 2006/02/13 | SIZE A3 | DWG. NO. P-UE78-A1118-0XXXX |
| QA APPD | X | X | SCALE 2:1 | PROJECT |
| IE APPD | X | X | SHEET 6 OF 7 | REV. D |
| DWG APPD | | | | |



| REVISIONS | | | | |
|-----------|---------|------------------|------------|----------|
| REV. | ECN/E-R | DESCRIPTION | DATE | APPROVED |
| B | | CUSTOMER DRAWING | 2006/04/05 | |
| C | | UPDATED | 2006/08/09 | |
| D | | UPDATED | 2007/01/02 | |

RECOMMENDED SFP HOST BOARD LAYOUT
(BELLY TO BELLY CAGE MOUNTING)

DO NOT SCALE DRAWING

THIS DOCUMENT CONTAINS PROPRIETARY INFORMATION AND SUCH INFORMATION MAY NOT BE DISCLOSED TO OTHERS FOR ANY PURPOSE OR USED FOR MANUFACTURING PUPOSES WITHOUT PERMISSION FROM AMPHENOL CANADA CORP.

| APPROVALS | | DATE | Amphenol Canada Corp. | | |
|-----------|-------|------------|--|--------------------------------|-----------------|
| DRAWN | A.LIU | 2006/02/13 | TITLE SFP CAGE + CONNECTOR 1X1 8 PRESS FIT / 12 EMI PINS | | |
| DESIGNED | J.SI | 2006/02/13 | | | |
| CHECKED | J.SI | 2006/02/13 | | | |
| QA APPD | X | X | SIZE A3 | DWG. NO. P-UE78-A1118-0XXXX | REV. D |
| IE APPD | X | X | SCALE 2:1 | PROJECT | SHEET 7 OF 7 |
| DWG APPD | | | | | |

Компания «Океан Электроники» предлагает заключение долгосрочных отношений при поставках импортных электронных компонентов на взаимовыгодных условиях!

Наши преимущества:

- Поставка оригинальных импортных электронных компонентов напрямую с производств Америки, Европы и Азии, а так же с крупнейших складов мира;
- Широкая линейка поставок активных и пассивных импортных электронных компонентов (более 30 млн. наименований);
- Поставка сложных, дефицитных, либо снятых с производства позиций;
- Оперативные сроки поставки под заказ (от 5 рабочих дней);
- Экспресс доставка в любую точку России;
- Помощь Конструкторского Отдела и консультации квалифицированных инженеров;
- Техническая поддержка проекта, помощь в подборе аналогов, поставка прототипов;
- Поставка электронных компонентов под контролем ВП;
- Система менеджмента качества сертифицирована по Международному стандарту ISO 9001;
- При необходимости вся продукция военного и аэрокосмического назначения проходит испытания и сертификацию в лаборатории (по согласованию с заказчиком);
- Поставка специализированных компонентов военного и аэрокосмического уровня качества (Xilinx, Altera, Analog Devices, Intersil, Interpoint, Microsemi, Actel, Aeroflex, Peregrine, VPT, Syfer, Eurofarad, Texas Instruments, MS Kennedy, Miteq, Cobham, E2V, MA-COM, Hittite, Mini-Circuits, General Dynamics и др.);

Компания «Океан Электроники» является официальным дистрибьютором и эксклюзивным представителем в России одного из крупнейших производителей разъемов военного и аэрокосмического назначения «JONHON», а так же официальным дистрибьютором и эксклюзивным представителем в России производителя высокотехнологичных и надежных решений для передачи СВЧ сигналов «FORSTAR».



JONHON

«JONHON» (основан в 1970 г.)

Разъемы специального, военного и аэрокосмического назначения:

(Применяются в военной, авиационной, аэрокосмической, морской, железнодорожной, горно- и нефтедобывающей отраслях промышленности)

«FORSTAR» (основан в 1998 г.)

ВЧ соединители, коаксиальные кабели, кабельные сборки и микроволновые компоненты:

(Применяются в телекоммуникациях гражданского и специального назначения, в средствах связи, РЛС, а так же военной, авиационной и аэрокосмической отраслях промышленности).



Телефон: 8 (812) 309-75-97 (многоканальный)

Факс: 8 (812) 320-03-32

Электронная почта: ocean@oceanchips.ru

Web: <http://oceanchips.ru/>

Адрес: 198099, г. Санкт-Петербург, ул. Калинина, д. 2, корп. 4, лит. А