

BGS18MA12

MIPI 2.0 SP8T switch for LTE diversity, Tx and LAA applications

Key Features

- 0.1 to 6 GHz coverage for LTE and LAA application
- LTE TX Power handling capabilities
- Ultra low insertion loss: 0.78dB at Band 42
- Small form factor 1.1mm x 1.9mm
- Fully compatible with MIPI 2.0 RFFE standard
- No decoupling capacitors required if no DC applied on RF lines

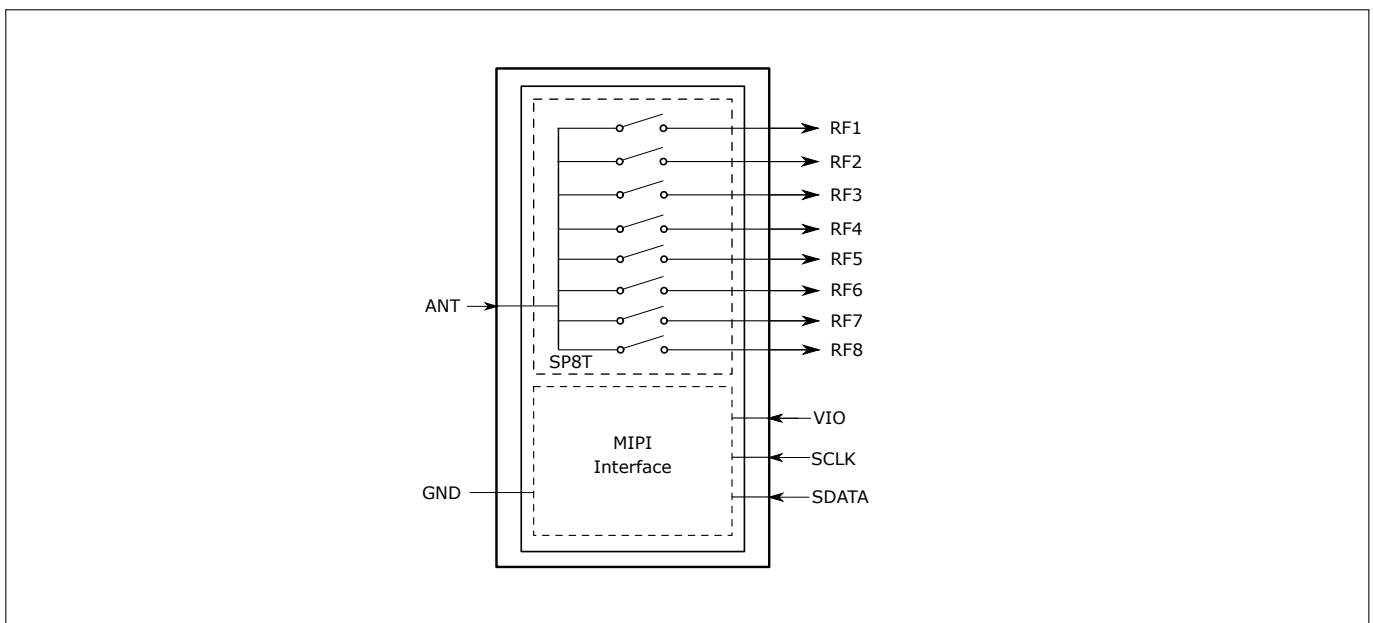
Applications

The SP8T switch is a band selection switch for LTE applications. With LTE TX power handling capability it is suitable for both LTE diversity path and LTE uplink Tx applications. The switch covers up to 6 GHz, so it supports Band 42, Band 43 and LAA.

Product Validation

Qualified for industrial applications according to the relevant tests of JEDEC47/20/22.

Block diagram



BGS18MA12

MIPI 2.0 SP8T switch for LTE diversity, Tx and LAA applications



Table of Contents

Table of Contents

Table of Contents	1
1 Features	2
2 Maximum Ratings	3
3 Operation ranges	4
4 RF Characteristics	5
5 MIPI RFFE Specification	7
6 Package related information	11

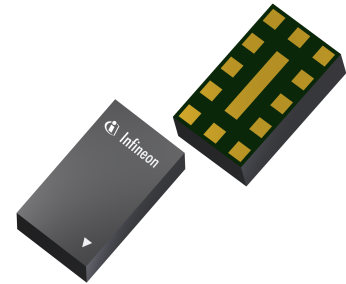
BGS18MA12

MIPI 2.0 SP8T switch for LTE diversity, Tx and LAA applications

Features

1 Features

- 0.1 to 6 GHz coverage for LTE and LAA application
- Suitable for LTE / WCDMA / TDCDMA Applications
- LTE TX Power handling capabilities
- Ultra low insertion loss: 0.78dB at Band 42
- Small form factor 1.1mm x 1.9mm
- Fully compatible with MIPI 2.0 RFFE standard
- No decoupling capacitors required if no DC applied on RF lines
- Low harmonic generation
- High port-to-port-isolation
- On chip control logic including ESD protection
- No power supply blocking required
- High EMI robustness
- RoHS and WEEE compliant package



Description

This SP8T RF switch is a perfect solution for multimode handsets based on LTE, WCDMA and TDCDMA. It is based on Infineon's proprietary technology and has excellent RF performance. The ultra-low insertion loss helps customers to achieve high system sensitivity, the coverage of LTE Tx power and 6 GHz enables very broad application. It features DC-free RF ports, external DC blocking capacitors at the RF ports are only required if DC voltage is applied externally. Its on chip MIPI RFFE 2.0 controller is fully compatible with industry standard.

Product Name	Marking	Package
BGS18MA12	B1	ATSLP-12-10

BGS18MA12

MIPI 2.0 SP8T switch for LTE diversity, Tx and LAA applications

Maximum Ratings

2 Maximum Ratings

Table 1: Maximum Ratings, Table I at $T_A = 25\text{ }^\circ\text{C}$, unless otherwise specified

Parameter	Symbol	Values			Unit	Note / Test Condition
		Min.	Typ.	Max.		
Frequency Range	f	0.1	–	6.0	GHz	1)
Supply voltage ²⁾	V_{IO}	0	–	2.1	V	–
Storage temperature range	T_{STG}	-55	–	150	$^\circ\text{C}$	–
RF input power at all TRx ports	P_{RF_max}	–	–	35	dBm	Short momentary / 50Ω
ESD capability, CDM ⁴⁾	V_{ESD_CDM}	-500	–	+500	V	
ESD capability, HBM ⁵⁾	V_{ESD_HBM}	-1	–	+1	kV	
ESD capability, system level (RF port) ⁶⁾	V_{ESD_ANT}	-8	–	+8	kV	ANT vs system GND, with 27 nH shunt inductor
Junction temperature	T_j	–	–	125	$^\circ\text{C}$	–

¹⁾ Switch has a low-pass response. For higher frequencies, losses have to be considered for their impact on thermal heating. The DC voltage at RF ports V_{RFDC} has to be 0V.

²⁾ Note: Consider any ripple voltages on top of V_{IO} . Including RF ripple, V_{IO} must not exceed the maximum ratings: $V_{IO} = V_{DC} + V_{Ripple}$.

⁴⁾ Field-Induced Charged-Device Model ANSI/ESDA/JEDEC JS-002. Simulates charging/discharging events that occur in production equipment and processes. Potential for CDM ESD events occurs whenever there is metal-to-metal contact in manufacturing.

⁵⁾ Human Body Model ANSI/ESDA/JEDEC JS-001 ($R = 1,5\text{ k}\Omega$, $C = 100\text{ pF}$).

⁶⁾ IEC 61000-4-2 ($R = 330\ \Omega$, $C = 150\text{ pF}$), contact discharge.

Warning: Stresses above the max. values listed here may cause permanent damage to the device. Maximum ratings are absolute ratings; exceeding only one of these values may cause irreversible damage to the integrated circuit. Exposure to conditions at or below absolute maximum rating but above the specified maximum operation conditions may affect device reliability and life time. Functionality of the device might not be given under these conditions.

Table 2: Maximum Ratings, Table II at $T_A = 25\text{ }^\circ\text{C}$, unless otherwise specified

Parameter	Symbol	Values			Unit	Note / Test Condition
		Min.	Typ.	Max.		
Thermal resistance junction - soldering point	R_{thJS}	–	–	62	K/W	–
Maximum DC-voltage on RF-Ports and RF-Ground	V_{RFDC}	0	–	0	V	No DC voltages allowed on RF-Ports

Operation ranges

3 Operation ranges

Table 3: Operation ranges at $T_A = -40\text{ °C}$ to 85 °C

Parameter	Symbol	Values			Unit	Note / Test Condition
		Min.	Typ.	Max.		
Supply Voltage	V_{IO}	1.65	1.8	1.95	V	–
RFFE input high voltage ¹	V_{IH}	$0.7 \cdot V_{IO}$	–	V_{IO}	V	–
RFFE input low voltage ¹	V_{IL}	0	–	$0.3 \cdot V_{IO}$	V	–
RFFE output high voltage ¹	V_{OH}	$0.8 \cdot V_{IO}$	–	V_{IO}	V	–
RFFE output low voltage ¹	V_{OL}	0	–	$0.2 \cdot V_{IO}$	V	–
RFFE control input capacitance	C_{Ctrl}	–	–	2	pF	–
Supply Current	I_{IO}	–	60	125	μA	Operating state
Supply Current	I_{IO}	–	2	–	μA	Idle State

¹SCLK and SDATA

Table 4: RF input power

Parameter	Symbol	Values			Unit	Note / Test Condition
		Min.	Typ.	Max.		
RF input power on TRX ports	P_{RF}	–	–	32	dBm	CW / VSWR 1:1 / 25 °C
RF input power on TRX ports	P_{RF}	–	–	30	dBm	CW / VSWR 6:1 / 25 °C

RF Characteristics

4 RF Characteristics

Table 5: RF Characteristics at $T_A = -40\text{ }^{\circ}\text{C} \dots 85\text{ }^{\circ}\text{C}$, $P_{IN} = 0\text{ dBm}$, Supply Voltage $V_{IO} = 1.65\text{ V} \dots 1.95\text{ V}$, unless otherwise specified. Open ports are terminated with $50\ \Omega$.

Parameter	Symbol	Values			Unit	Note / Test Condition
		Min.	Typ.	Max.		
Insertion Loss¹⁾						
All TRx Ports	IL	-	0.35	0.41	dB	698–960 MHz
		-	0.42	0.46	dB	1428–1920 MHz
		-	0.46	0.50	dB	1990–2170 MHz
		-	0.55	0.60	dB	2170–2690 MHz
		-	0.65	0.80	dB	3400–3600 MHz
		-	0.70	0.90	dB	3600–3800 MHz
		-	1.20	1.80	dB	5000–6000 MHz
Return Loss¹⁾						
All TRx Ports	RL	27	30	-	dB	698–960 MHz
		19	26	-	dB	1428–1920 MHz
		17	21	-	dB	1990–2170 MHz
		14	19	-	dB	2170–2690 MHz
		13	16	-	dB	3400–3600 MHz
		12	16	-	dB	3600–3800 MHz
		7	10	-	dB	5000–6000 MHz
Isolation^{1) 2)}						
All TRx Ports	ISO	32	47	-	dB	698–960 MHz
		26	40	-	dB	1428–1920 MHz
		26	37	-	dB	1990–2170 MHz
		23	36	-	dB	2170–2690 MHz
		18	31	-	dB	3400–3600 MHz
		18	30	-	dB	3600–3800 MHz
		12	26	-	dB	5000–6000 MHz
Harmonic Generation (UMTS Band 1, Band 5)¹⁾						
2 nd harmonic generation	P_{H2}	-70	-80	-	dBm	27 dBm, 50 Ω , CW mode
3 rd harmonic generation	P_{H3}	-61	-60	-	dBm	27 dBm, 50 Ω , CW mode
Intermodulation Distortion (UMTS Band 1, Band 5)¹⁾						
2 nd order intermodulation	IMD2 low ³⁾	-	-	-110	dBm	IMT, US Cell (see Tab. 7)
3 rd order intermodulation	IMD3	-	-	-105	dBm	IMT, US Cell (see Tab. 8)
2 nd order intermodulation	IMD2 high	-	-	-110	dBm	IMT, US Cell (see Tab. 7)

¹⁾On application board without any matching components.

²⁾Isolation to inactive ports when one path is active.

³⁾With 27 nH shunt inductor at the ANT.

RF Characteristics

Table 6: Switching Time at $T_A = 25\text{ }^\circ\text{C}$, $P_{IN} = 0\text{ dBm}$, Supply Voltage $V_{IO} = 1.65\text{V} \dots 1.95\text{V}$, unless otherwise specified

Parameter	Symbol	Values			Unit	Note / Test Condition
		Min.	Typ.	Max.		
Switching Time						
RF Rise Time	t_{RT}	-	-	2	μs	10 % to 90 % RF signal
Switching Time	t_{ST}	-	3	4.5	μs	50% last SCLK falling edge to 90% RF signal, see Fig. 1
Power Up Settling Time	t_{Pup}	-	10	25	μs	After power down mode

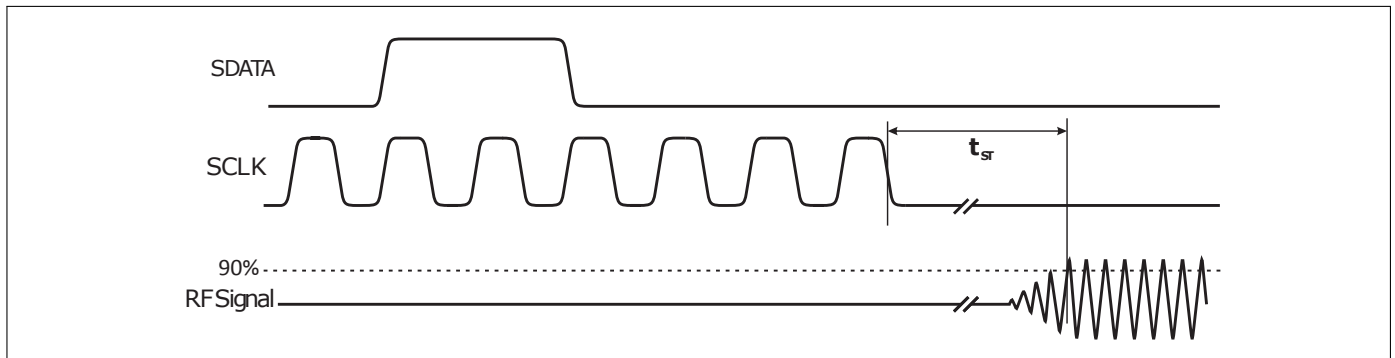


Figure 1: MIPI to RF time

Table 7: IMD2 Testcases

Band	CW tone 1 (MHz)	CW tone 1 (dBm)	CW tone 2 (MHz)	CW tone 2 (dBm)
IMT	1950	20	190 (IMD2 low)	-15
			4090 (IMD2 high)	
US Cell	835	20	45 (IMD2 low)	-15
			1715 (IMD2 high)	

Table 8: IMD3 Testcases

Band	CW tone 1 (MHz)	CW tone 1 (dBm)	CW tone 2 (MHz)	CW tone 2 (dBm)
IMT	1950	20	1760	-15
US Cell	835	20	790	-15

BGS18MA12

MIPI 2.0 SP8T switch for LTE diversity, Tx and LAA applications

MIPI RFFE Specification

5 MIPI RFFE Specification

All sequences are implemented according to the 'MIPI Alliance Specification for RF Front-End Control Interface' document version 2.0 - 25. September 2014.

Table 9: MIPI Features

Feature	Supported	Comment
MIPI RFFE 1.10 and 2.0 standards	Yes	
Register 0 write command sequence	Yes	
Register read and write command sequence	Yes	
Extended register read and write command sequence	Yes	
Support for standard frequency range operations for SCLK	Yes	Up to 26 MHz for read and write
Support for extended frequency range operations for SCLK	Yes	Up to 52 MHz for write ¹⁾
Half speed read	Yes	
Full speed read	Yes	
Full speed write	Yes	
Programmable Group SID	Yes	
Trigger functionality	Yes	
Broadcast / GSID write to PM TRIG register	Yes	
Reset	Yes	Via VIO, PM TRIG or software register ¹⁾
Status / error sum register	Yes	
Extended product ID register	Yes	
Revision ID register	Yes	
Group SID register	Yes	
USID_Sel pin	No	External pin for changing USID is not implemented

¹⁾ only supported by MIPI 2.0 Standard

Table 10: Startup Behavior

Feature	State	Comment
Power status	Low power	Lower power mode after start-up
Trigger function	Enabled	Enabled after start-up. Programmable via behavior control register

MIPI RFFE Specification

Table 11: Register Mapping, Table I

Register Address	Register Name	Data Bits	Function	Description	Default	Broadcast_ID Support	Trigger Support	R/W	
0x00	SW_CTRL0	6:0	SW_CTRL0	RF Switch Control	0	No	Yes	R/W	
0x1C	PM_TRIG	7	PWR_MODE(1), Operation Mode	0: Normal operation (ACTIVE)	1	Yes	No	R/W	
				1: Low Power Mode (LOW POWER)					
		6	PWR_MODE(0), State Bit Vector	0: No action (ACTIVE)	0				
				1: Powered Reset (STARTUP to ACTIVE to LOW POWER)					
		5	TRIGGER_MASK_2	0: Data masked (held in shadow REG)	0				No
				1: Data not masked (ready for transfer to active REG)					
		4	TRIGGER_MASK_1	0: Data masked (held in shadow REG)	0				
				1: Data not masked (ready for transfer to active REG)					
		3	TRIGGER_MASK_0	0: Data masked (held in shadow REG)	0				
1: Data not masked (ready for transfer to active REG)									
2	TRIGGER_2	0: No action (data held in shadow REG)	0	Yes					
		1: Data transferred to active REG							
1	TRIGGER_1	0: No action (data held in shadow REG)	0						
		1: Data transferred to active REG							
0	TRIGGER_0	0: No action (data held in shadow REG)	0						
		1: Data transferred to active REG							
0x1D	PRODUCT_ID	7:0	PRODUCT_ID		This is a read-only register. However, during the programming of the USID a write command sequence is performed on this register, even though the write does not change its value.	0xCD	No	No	R
0x1E	MAN_ID	7:0	MANUFACTURER_ID [7:0]		This is a read-only register. However, during the programming of the USID, a write command sequence is performed on this register, even though the write does not change its value.	0x1A	No	No	R
0x1F	MAN_USID	7:6	RESERVED		Reserved for future use	00	No	No	R
		5:4	MANUFACTURER_ID [9:8]	These bits are read-only. However, during the programming of the USID, a write command sequence is performed on this register even though the write does not change its value.	01				
		3:0	USID[3:0]	Programmable USID. Performing a write to this register using the described programming sequences will program the USID in devices supporting this feature. These bits store the USID of the device.	0x8	No	No	R/W	

MIPI RFFE Specification

Table 12: Register Mapping, Table II

Register Address	Register Name	Data Bits	Function	Description	Default	Broadcast_ID Support	Trigger Support	R/W
0x20	EXT_PROD_ID ¹⁾	7:0	EXT_PRODUCT_ID		0x00	No	No	R
0x21	REV_ID	7:4	MAIN_REVISION		0x4	No	No	R/W
		3:0	SUB_REVISION		0x0			
0x22	GSID ¹⁾	7:4	GSID0[3:0]	Primary Group Slave ID.	0x0	No	No	R/W
		3:0	RESERVED	Reserved for secondary Group Slave ID.	0x0			
0x23	UDR_RST	7	UDR_RST	Reset all configurable non-RFFE Reserved registers to default values. 0: Normal operation 1: Software reset	0	No	No	R/W
		6:0	RESERVED	Reserved for future use	0000000			
0x24	ERR_SUM ¹⁾	7	RESERVED	Reserved for future use	0	No	No	R
		6	COMMAND_FRAME_PAR_ERR	Command Sequence received with parity error – discard command.	0			
		5	COMMAND_LENGTH_ERR	Command length error.	0			
		4	ADDRESS_FRAME_PAR_ERR	Address frame with parity error.	0			
		3	DATA_FRAME_PAR_ERR	Data frame with parity error.	0			
		2	READ_UNUSED_REG	Read command to an invalid address.	0			
		1	WRITE_UNUSED_REG	Write command to an invalid address.	0			
0	BID_GID_ERR	Read command with a BROADCAST_ID or GROUP_ID.	0					

¹⁾Only supported by MIPI 2.0 Standard

Table 13: Modes of Operation (Truth Table, Register_0)

State ¹⁾	Value (Bin.)	Mode
0	00000000	ALL OFF (Isolation)
1	00000001	RF1 ON
2	00000010	RF2 ON
3	00000100	RF3 ON
4	00001000	RF4 ON
5	00010000	RF5 ON
6	00100000	RF6 ON
7	01000000	RF7 ON
8	01000001	RF8 ON

¹⁾ Chip state is 0 (isolation) in unused states

BGS18MA12

MIPI 2.0 SP8T switch for LTE diversity, Tx and LAA applications

Package related information

6 Package related information

The switch has a package size of 1100 μm in x-dimension and 1900 μm in y-dimension with a maximum deviation of $\pm 50 \mu\text{m}$ in each dimension. Fig. 2 shows the footprint from top view. The definition of each pin can be found in Tab. 15.

Table 14: Mechanical Data

Parameter	Symbol	Value	Unit
Package X-Dimension	X	1100 \pm 50	μm
Package Y-Dimension	Y	1900 \pm 50	μm
Package Height	H	0.65 max	μm

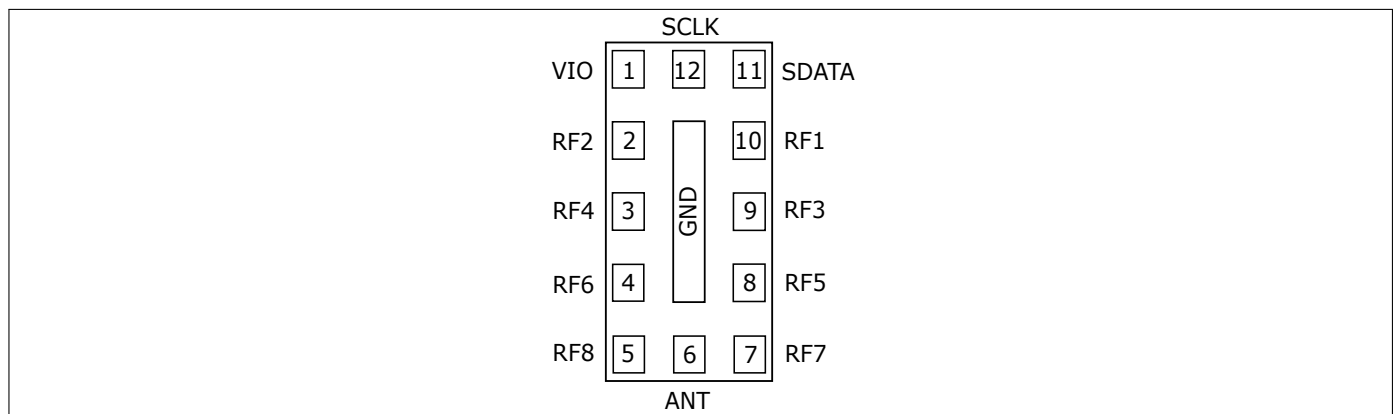


Figure 2: Footprint, top view

Table 15: Pin Definition

No.	Name	Pin Type	Function
1	VIO	Power	MIPI RFFE Power Supply
2	RF2	RF	RF-Port TRX No. 2
3	RF4	RF	RF-Port TRX No. 4
4	RF6	RF	RF-Port TRX No. 6
5	RF8	RF	RF-Port TRX No. 8
6	ANT	RF	RF Antenna Port
7	RF7	RF	RF-Port TRX No. 7
8	RF5	RF	RF-Port TRX No. 5
9	RF3	RF	RF-Port TRX No. 3
10	RF1	RF	RF-Port TRX No. 1
11	SDATA	I/O	MIPI RFFE Data I/O
12	SCLK	I/O	MIPI RFFE Clock
GND	GND	GND	Ground

BGS18MA12

MIPI 2.0 SP8T switch for LTE diversity, Tx and LAA applications

Package related information

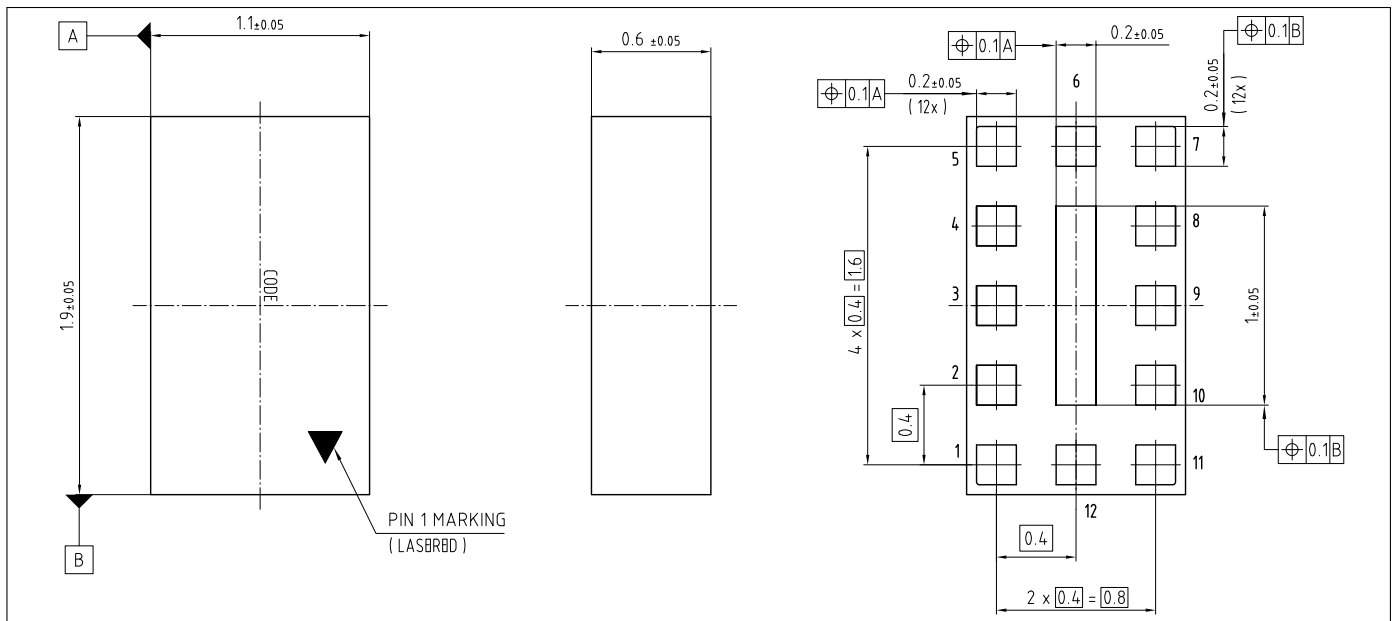


Figure 3: Package Outline Drawing (top, side and bottom views)

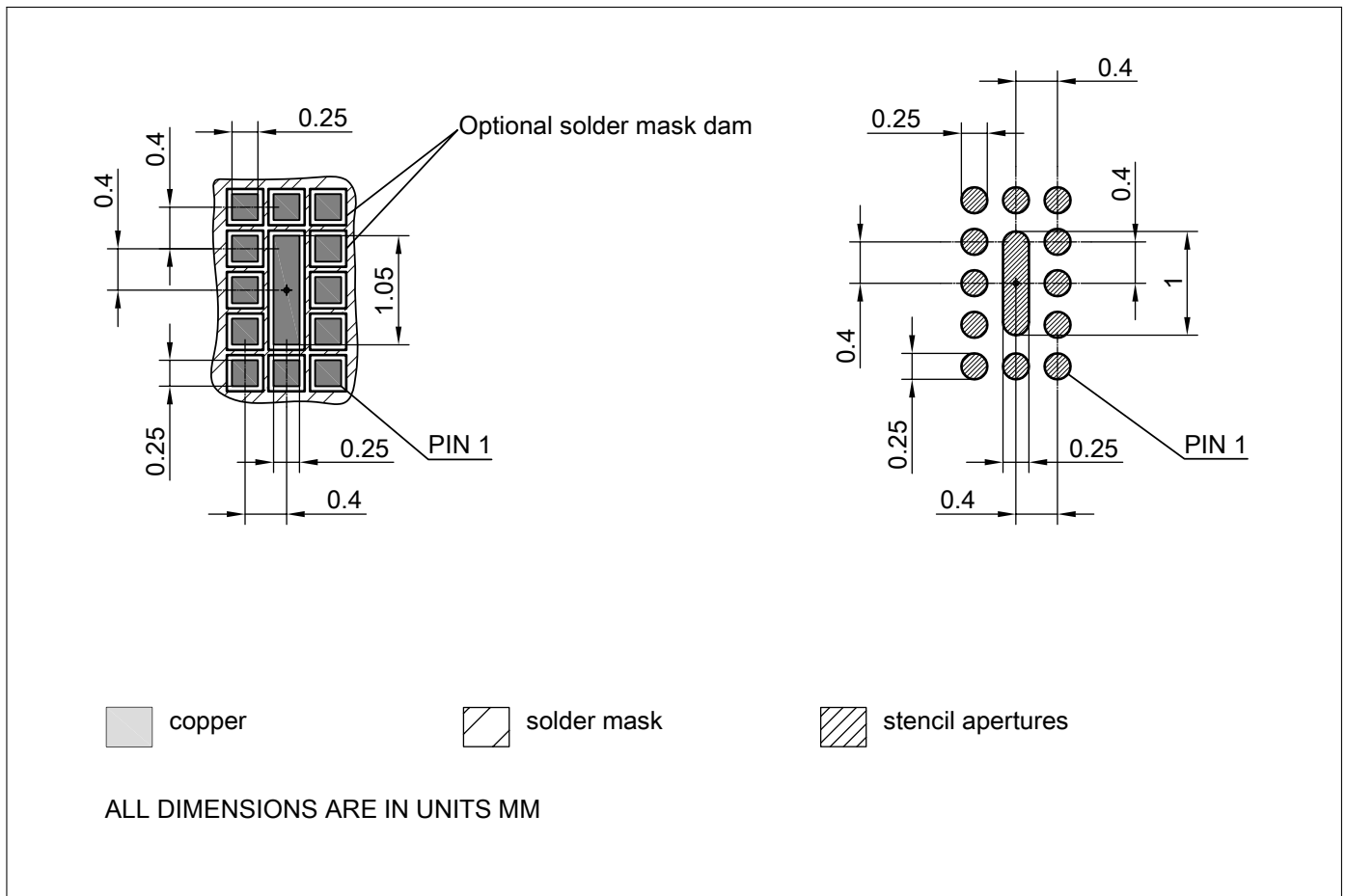


Figure 4: Land Pattern Drawing

BGS18MA12

MIPI 2.0 SP8T switch for LTE diversity, Tx and LAA applications

Package related information

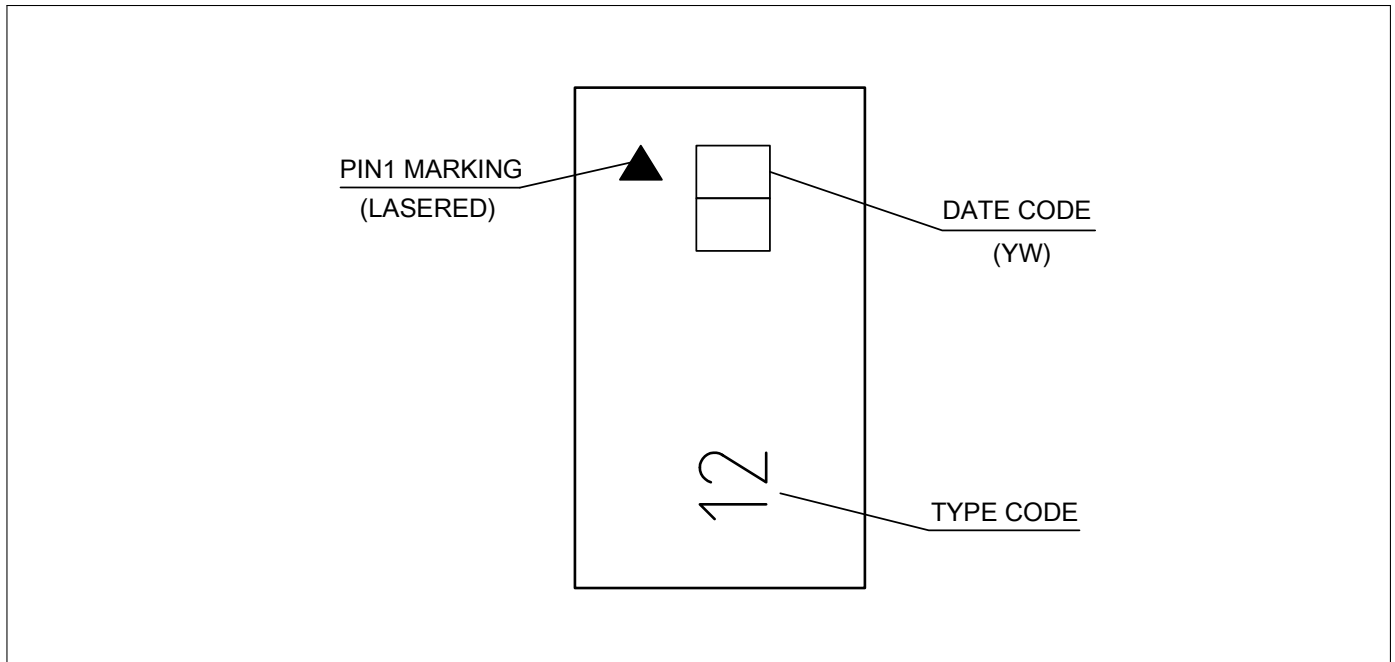


Figure 5: Laser marking

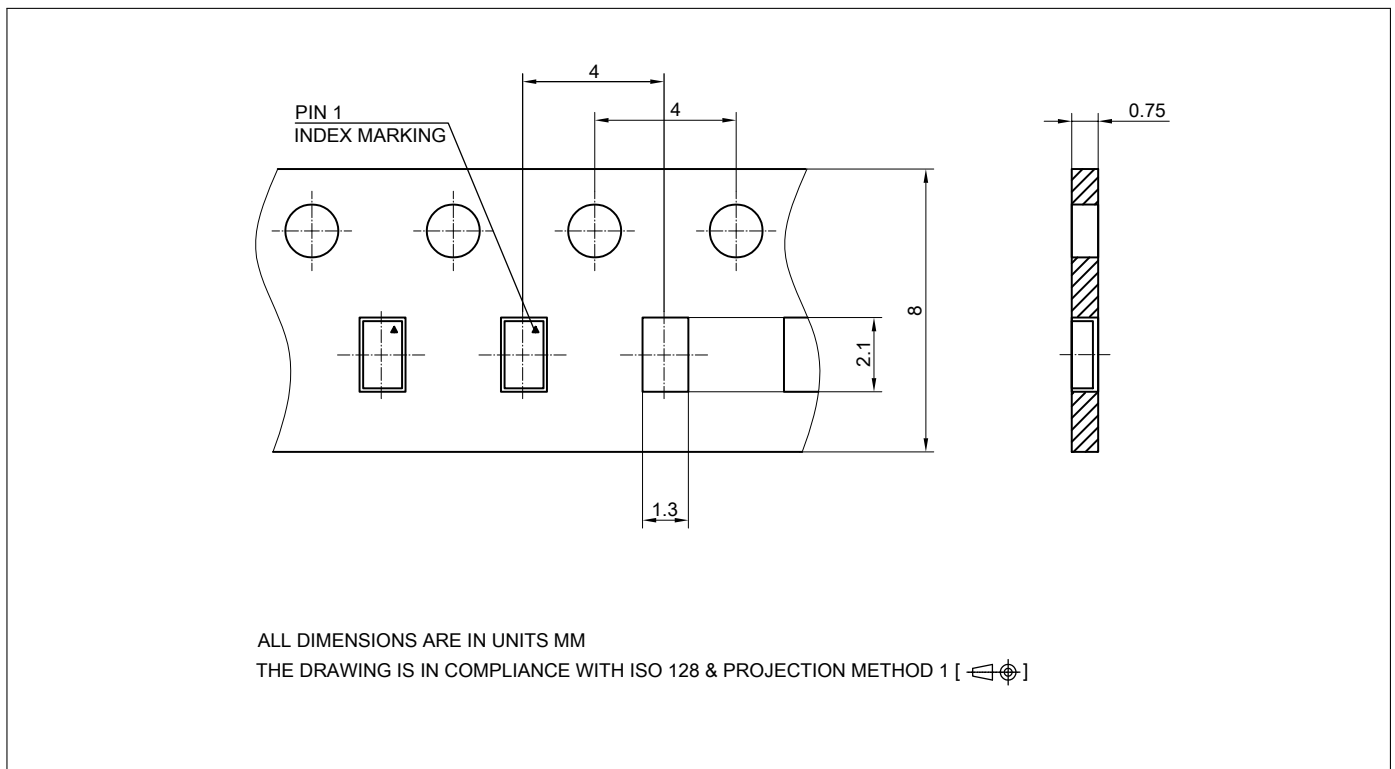


Figure 6: Carrier Tape

Table 16: Year date code marking - digit "Y"

Year	"Y"	Year	"Y"	Year	"Y"
2000	0	2010	0	2020	0
2001	1	2011	1	2021	1
2002	2	2012	2	2022	2
2003	3	2013	3	2023	3
2004	4	2014	4	2024	4
2005	5	2015	5	2025	5
2006	6	2016	6	2026	6
2007	7	2017	7	2027	7
2008	8	2018	8	2028	8
2009	9	2019	9	2029	9

Table 17: Week date code marking - digit "W"

Week	"W"	Week	"W"	Week	"W"	Week	"W"	Week	"W"
1	A	12	N	23	4	34	h	45	v
2	B	13	P	24	5	35	j	46	x
3	C	14	Q	25	6	36	k	47	y
4	D	15	R	26	7	37	l	48	z
5	E	16	S	27	a	38	n	49	8
6	F	17	T	28	b	39	p	50	9
7	G	18	U	29	c	40	q	51	2
8	H	19	V	30	d	41	r	52	3
9	J	20	W	31	e	42	s		
10	K	21	Y	32	f	43	t		
11	L	22	Z	33	g	44	u		

Revision History

Page or Item	Subjects (major changes since previous revision)
--------------	--

Revision 1.1, 2018-09-10	
--------------------------	--

	'NDA Required' removed
--	------------------------

Trademarks

All referenced product or service names and trademarks are the property of their respective owners.

Edition 2018-09-10

Published by

Infineon Technologies AG

81726 Munich, Germany

© 2018 Infineon Technologies AG.

All Rights Reserved.

Do you have a question about any aspect of this document?

Email: erratum@infineon.com

IMPORTANT NOTICE

The information given in this document shall in no event be regarded as a guarantee of conditions or characteristics ("Beschaffheitsgarantie"). With respect to any examples, hints or any typical values stated herein and/or any information regarding the application of the product, Infineon Technologies hereby disclaims any and all warranties and liabilities of any kind, including without limitation warranties of non-infringement of intellectual property rights of any third party. In addition, any information given in this document is subject to customer's compliance with its obligations stated in this document and any applicable legal requirements, norms and standards concerning customer's products and any use of the product of Infineon Technologies in customer's applications. The data contained in this document is exclusively intended for technically trained staff. It is the responsibility of customer's technical departments to evaluate the suitability of the product for the intended application and the completeness of the product information given in this document with respect to such application.

For further information on technology, delivery terms and conditions and prices, please contact the nearest Infineon Technologies Office (www.infineon.com).

WARNINGS

Due to technical requirements products may contain dangerous substances. For information on the types in question please contact your nearest Infineon Technologies office.

Except as otherwise explicitly approved by Infineon Technologies in a written document signed by authorized representatives of Infineon Technologies, Infineon Technologies products may not be used in any applications where a failure of the product or any consequences of the use thereof can reasonably be expected to result in personal injury.

Компания «Океан Электроники» предлагает заключение долгосрочных отношений при поставках импортных электронных компонентов на взаимовыгодных условиях!

Наши преимущества:

- Поставка оригинальных импортных электронных компонентов напрямую с производств Америки, Европы и Азии, а так же с крупнейших складов мира;
- Широкая линейка поставок активных и пассивных импортных электронных компонентов (более 30 млн. наименований);
- Поставка сложных, дефицитных, либо снятых с производства позиций;
- Оперативные сроки поставки под заказ (от 5 рабочих дней);
- Экспресс доставка в любую точку России;
- Помощь Конструкторского Отдела и консультации квалифицированных инженеров;
- Техническая поддержка проекта, помощь в подборе аналогов, поставка прототипов;
- Поставка электронных компонентов под контролем ВП;
- Система менеджмента качества сертифицирована по Международному стандарту ISO 9001;
- При необходимости вся продукция военного и аэрокосмического назначения проходит испытания и сертификацию в лаборатории (по согласованию с заказчиком);
- Поставка специализированных компонентов военного и аэрокосмического уровня качества (Xilinx, Altera, Analog Devices, Intersil, Interpoint, Microsemi, Actel, Aeroflex, Peregrine, VPT, Syfer, Eurofarad, Texas Instruments, MS Kennedy, Miteq, Cobham, E2V, MA-COM, Hittite, Mini-Circuits, General Dynamics и др.);

Компания «Океан Электроники» является официальным дистрибьютором и эксклюзивным представителем в России одного из крупнейших производителей разъемов военного и аэрокосмического назначения «JONHON», а так же официальным дистрибьютором и эксклюзивным представителем в России производителя высокотехнологичных и надежных решений для передачи СВЧ сигналов «FORSTAR».



JONHON

«JONHON» (основан в 1970 г.)

Разъемы специального, военного и аэрокосмического назначения:

(Применяются в военной, авиационной, аэрокосмической, морской, железнодорожной, горно- и нефтедобывающей отраслях промышленности)

«FORSTAR» (основан в 1998 г.)

ВЧ соединители, коаксиальные кабели,
кабельные сборки и микроволновые компоненты:

(Применяются в телекоммуникациях гражданского и специального назначения, в средствах связи, РЛС, а так же военной, авиационной и аэрокосмической отраслях промышленности).



Телефон: 8 (812) 309-75-97 (многоканальный)

Факс: 8 (812) 320-03-32

Электронная почта: ocean@oceanchips.ru

Web: <http://oceanchips.ru/>

Адрес: 198099, г. Санкт-Петербург, ул. Калинина, д. 2, корп. 4, лит. А