

# S3A1 Microcontroller Group

Datasheet

## Renesas Synergy™ Platform

Synergy Microcontrollers

S3 Series

All information contained in these materials, including products and product specifications, represents information on the product at the time of publication and is subject to change by Renesas Electronics Corp. without notice. Please review the latest information published by Renesas Electronics Corp. through various means, including the Renesas Electronics Corp. website (<http://www.renesas.com>).

High efficiency 48-MHz Arm® Cortex®-M4 core, 1-MB code flash memory, 192-KB SRAM, Segment LCD Controller, Capacitive Touch Sensing Unit, USB 2.0 Full-Speed Module, 14-bit A/D Converter, 12-bit D/A Converter, security and safety features

## Features

### ■ Arm Cortex-M4 Core with Floating Point Unit (FPU)

- Armv7E-M architecture with DSP instruction set
- Maximum operating frequency: 48 MHz
- Support for 4-GB address space
- Arm Memory Protection Unit (Arm MPU) with 8 regions
- Debug and Trace: ITM, DWT, FPB, TPIU, ETB
- CoreSight™ Debug Port: JTAG-DP and SW-DP

### ■ Memory

- 1-MB code flash memory
- 8-KB data flash memory (100,000 program/erase (P/E) cycles)
- 192-KB SRAM
- Flash Cache (FCACHE)
- Memory Protection Unit (MPU)
- Memory Mirror Function (MMF)
- 128-bit unique ID

### ■ Connectivity

- USB 2.0 Full-Speed Module (USBFS)
  - On-chip transceiver with voltage regulator
  - Compliant with USB Battery Charging Specification 1.2
- Serial Communications Interface (SCI) × 6
  - UART
  - Simple IIC
  - Simple SPI
- Serial Peripheral Interface (SPI) × 2
- I<sup>2</sup>C bus interface (IIC) × 3
- Controller Area Network (CAN) module
- Serial Sound Interface Enhanced (SSIE)
- SD/MMC Host Interface (SDHI)
- Quad Serial Peripheral Interface (QSPI)
- External address space
  - 8- or 16-bit bus space is selectable per area

### ■ Analog

- 14-bit A/D Converter (ADC14)
- 12-bit D/A Converter (DAC12)
- 8-bit D/A Converter (DAC8) × 2 (for ACMPLP)
- Low-Power Analog Comparator (ACMPLP) × 2
- Operational Amplifier (OPAMP) × 4
- Temperature Sensor (TSN)

### ■ Timers

- General PWM Timer 32-Bit (GPT32) × 4
- General PWM Timer 16-Bit (GPT16) × 6
- Asynchronous General-Purpose Timer (AGT) × 2
- Watchdog Timer (WDT)

### ■ Safety

- Error Correction Code (ECC) in SRAM
- SRAM parity error check
- Flash area protection
- ADC self-diagnosis function
- Clock Frequency Accuracy Measurement Circuit (CAC)
- Cyclic Redundancy Check (CRC) calculator
- Data Operation Circuit (DOC)
- Port Output Enable for GPT (POEG)
- Independent Watchdog Timer (IWDT)
- GPIO readback level detection
- Register write protection
- Main oscillator stop detection
- Illegal memory access

### ■ System and Power Management

- Low power modes
- Realtime Clock (RTC) with calendar and Battery Backup support
- Event Link Controller (ELC)
- DMA Controller (DMAC) × 4
- Data Transfer Controller (DTC)
- Key Interrupt Function (KINT)
- Power-on reset
- Low Voltage Detection (LVD) with voltage settings

### ■ Security and Encryption

- AES128/256
- GHASH
- True Random Number Generator (TRNG)

### ■ Human Machine Interface (HMI)

- Segment LCD Controller (SLCDC)
  - Up to 54 segments × 4 commons
  - Up to 50 segments × 8 commons
- Capacitive Touch Sensing Unit (CTSU)

### ■ Multiple Clock Sources

- Main clock oscillator (MOSC)
  - (1 to 20 MHz when VCC = 2.4 to 5.5 V)
  - (1 to 8 MHz when VCC = 1.8 to 2.4 V)
  - (1 to 4 MHz when VCC = 1.6 to 1.8 V)
- Sub-clock oscillator (SOSC) (32.768 kHz)
- High-speed on-chip oscillator (HOCO)
  - (24, 32, 48, 64 MHz when VCC = 2.4 to 5.5 V)
  - (24, 32, 48 MHz when VCC = 1.8 to 5.5 V)
  - (24, 32 MHz when VCC = 1.6 to 5.5 V)
- Middle-speed on-chip oscillator (MOCO) (8 MHz)
- Low-speed on-chip oscillator (LOCO) (32.768 kHz)
- IWDT-dedicated on-chip oscillator (15 kHz)
- Clock trim function for HOCO/MOCO/LOCO
- Clock out support

### ■ General Purpose I/O Ports

- Up to 126 input/output pins
  - Up to 3 CMOS input
  - Up to 123 CMOS input/output
  - Up to 11 input/output 5-V tolerant
  - Up to 2 high current (20 mA)

### ■ Operating Voltage

- VCC: 1.6 to 5.5 V

### ■ Operating Temperature and Packages

- Ta = -40°C to +85°C
  - 145-pin LGA (7 mm × 7 mm, 0.5 mm pitch)
  - 121-pin BGA (8 mm × 8 mm, 0.65 mm pitch)
  - 100-pin LGA (7 mm × 7 mm, 0.65 mm pitch)
- Ta = -40°C to +105°C
  - 144-pin LQFP (20 mm × 20 mm, 0.5 mm pitch)
  - 100-pin LQFP (14 mm × 14 mm, 0.5 mm pitch)
  - 64-pin LQFP (10 mm × 10 mm, 0.5 mm pitch)
  - 64-pin QFN (8 mm × 8 mm, 0.4 mm pitch)

## 1. Overview

The MCU integrates multiple series of software- and pin-compatible Arm®-based 32-bit cores that share a common set of Renesas peripherals to facilitate design scalability and efficient platform-based product development.

The MCU in this series incorporates a low-power, high-performance Arm Cortex®-M4 core running up to 48 MHz, with the following features:

- 1-MB code flash memory
- 192-KB SRAM
- Segment LCD Controller (SLCDC)
- Capacitive Touch Sensing Unit (CTSU)
- USB 2.0 Full-Speed Module (USBFS)
- 14-bit A/D Converter (ADC14)
- 12-bit D/A Converter (DAC12)
- Security features.

### 1.1 Function Outline

**Table 1.1 Arm core**

| Feature       | Functional description  |
|---------------|---|
| Arm Cortex-M4 | <ul style="list-style-type: none"> <li>• Maximum operating frequency: up to 48 MHz</li> <li>• Arm Cortex-M4               <ul style="list-style-type: none"> <li>- Revision: r0p1-01rel0</li> <li>- Armv7E-M architecture profile</li> <li>- Single precision floating-point unit compliant with the ANSI/IEEE Std 754-2008.</li> </ul> </li> <li>• Arm Memory Protection Unit (Arm MPU)               <ul style="list-style-type: none"> <li>- Armv7 Protected Memory System Architecture</li> <li>- 8 protected regions.</li> </ul> </li> <li>• SysTick timer               <ul style="list-style-type: none"> <li>- Driven by SYSTICCLK (LOCO) or ICLK.</li> </ul> </li> </ul> |

**Table 1.2 Memory**

| Feature                      | Functional description   |
|------------------------------|--|
| Code flash memory            | Maximum 1-MB code flash memory. See section 47, Flash Memory in User's Manual.   |
| Data flash memory            | 8-KB data flash memory. See section 47, Flash Memory in User's Manual.   |
| Option-setting memory        | The option-setting memory determines the state of the MCU after a reset. See section 7, Option-Setting Memory in User's Manual.  |
| Memory Mirror Function (MMF) | The Memory Mirror Function (MMF) can be configured to mirror the target application image load address in code flash memory to the application image link address in the 23-bit unused memory space (memory mirror space addresses). Your application code is developed and linked to run from this MMF destination address. The application code does not need to know the load location where it is stored in code flash memory. See section 5, Memory Mirror Function (MMF) in User's Manual. |
| SRAM                         | On-chip high-speed SRAM with either parity bit or Error Correction Code (ECC). The first 16-KB in SRAM0 provides error correction capability using ECC. See section 46, SRAM in User's Manual.   |

**Table 1.3 System (1 of 2)**

| Feature  | Functional description   |
|--|--|
| Operating modes                                    | Two operating modes: <ul style="list-style-type: none"> <li>• Single-chip mode</li> <li>• SCI/USB boot mode.</li> </ul> See section 3, Operating Modes in User's Manual.   |
| Resets   | 14 resets: <ul style="list-style-type: none"> <li>• RES pin reset</li> <li>• Power-on reset</li> <li>• VBATT-selected voltage power-on reset</li> <li>• Independent watchdog timer reset</li> <li>• Watchdog timer reset</li> <li>• Voltage monitor 0 reset</li> <li>• Voltage monitor 1 reset</li> <li>• Voltage monitor 2 reset</li> <li>• SRAM parity error reset</li> <li>• SRAM ECC error reset</li> <li>• Bus master MPU error reset</li> <li>• Bus slave MPU error reset</li> <li>• CPU stack pointer error reset</li> <li>• Software reset.</li> </ul> See section 6, Resets in User's Manual.                             |
| Low Voltage Detection (LVD)                        | Low Voltage Detection (LVD) function monitors the voltage level input to the VCC pin, and the detection level can be selected using a software program. See section 8, Low Voltage Detection (LVD) in User's Manual.   |
| Clocks   | <ul style="list-style-type: none"> <li>• Main clock oscillator (MOSC)</li> <li>• Sub-clock oscillator (SOSC)</li> <li>• High-speed on-chip oscillator (HOCO)</li> <li>• Middle-speed on-chip oscillator (MOCO)</li> <li>• Low-speed on-chip oscillator (LOCO)</li> <li>• PLL frequency synthesizer</li> <li>• IWDG-dedicated on-chip oscillator</li> <li>• Clock out support.</li> </ul> See section 9, Clock Generation Circuit in User's Manual.   |
| Clock Frequency Accuracy Measurement Circuit (CAC) | The Clock Frequency Accuracy Measurement Circuit (CAC) counts pulses of the clock to be measured (measurement target clock) within the time generated by the clock to be used as a measurement reference (measurement reference clock), and determines the accuracy depending on whether the number of pulses is within the allowable range. When measurement is complete or the number of pulses within the time generated by the measurement reference clock is not within the allowable range, an interrupt request is generated. See section 10, Clock Frequency Accuracy Measurement Circuit (CAC) in User's Manual.          |
| Interrupt Controller Unit (ICU)                    | The Interrupt Controller Unit (ICU) controls which event signals are linked to the NVIC/DTC module and DMAC module. The ICU also controls NMI interrupts. See section 14, Interrupt Controller Unit (ICU) in User's Manual.  |
| Key Interrupt Function (KINT)                      | A key interrupt can be generated by setting the Key Return Mode Register (KRM) and inputting a rising or falling edge to the key interrupt input pins. See section 21, Key Interrupt Function (KINT) in User's Manual.   |
| Low power modes                                    | Power consumption can be reduced in multiple ways, such as by setting clock dividers, controlling EBCLK output, stopping modules, selecting power control mode in normal operation, and transitioning to low power modes. See section 11, Low Power Modes in User's Manual.  |
| Battery backup function                            | A battery backup function is provided for partial powering by a battery. The battery powered area includes the RTC, SOSC, LOCO, wakeup control, backup memory, VBATT_R low voltage detection, and switches between VCC and VBATT. During normal operation, the battery powered area is powered by the main power supply, which is the VCC pin. When a VCC voltage drop is detected, the power source is switched to the dedicated battery backup power pin, the VBATT pin. When the voltage rises again, the power source is switched from the VBATT pin to the VCC pin. See section 12, Battery Backup Function in User's Manual. |
| Register write protection                          | The register write protection function protects important registers from being overwritten because of software errors. See section 13, Register Write Protection in User's Manual.   |

**Table 1.3 System (2 of 2)**

| Feature                           | Functional description   |
|-----------------------------------|--|
| Memory Protection Unit (MPU)      | Four Memory Protection Units (MPUs) and a CPU stack pointer monitor function are provided for memory protection. See section 16, Memory Protection Unit (MPU) in User's Manual.  |
| Watchdog Timer (WDT)              | The Watchdog Timer (WDT) is a 14-bit down-counter. It can be used to reset the MCU when the counter underflows because the system has run out of control and is unable to refresh the WDT. In addition, a non-maskable interrupt or interrupt can be generated by an underflow. A refresh-permitted period can be set to refresh the counter and used as the condition to detect when the system runs out of control. See section 26, Watchdog Timer (WDT) in User's Manual.   |
| Independent Watchdog Timer (IWDT) | The Independent Watchdog Timer (IWDT) consists of a 14-bit down-counter that must be serviced periodically to prevent counter underflow. It can be used to reset the MCU or to generate a non-maskable interrupt/interrupt for a timer underflow. Because the timer operates with an independent, dedicated clock source, it is particularly useful in returning the MCU to a known state as a fail-safe mechanism when the system runs out of control. The IWDT can be triggered automatically on a reset, underflow, refresh error, or by a refresh of the count value in the registers. See section 27, Independent Watchdog Timer (IWDT) in User's Manual. |

**Table 1.4 Event link**

| Feature                     | Functional description   |
|-----------------------------|--|
| Event Link Controller (ELC) | The Event Link Controller (ELC) uses the interrupt requests generated by various peripheral modules as event signals to connect them to different modules, enabling direct interaction between the modules without CPU intervention. See section 19, Event Link Controller (ELC) in User's Manual. |

**Table 1.5 Direct memory access**

| Feature                        | Functional description   |
|--------------------------------|--|
| Data Transfer Controller (DTC) | A Data Transfer Controller (DTC) module is provided for transferring data when activated by an interrupt request. See section 18, Data Transfer Controller (DTC) in User's Manual.   |
| DMA Controller (DMAC)          | A 4-channel DMA Controller (DMAC) module is provided for transferring data without the CPU. When a DMA transfer request is generated, the DMAC transfers data stored at the transfer source address to the transfer destination address. See section 17, DMA Controller (DMAC) in User's Manual. |

**Table 1.6 External bus interface**

| Feature      | Functional description  |
|--------------|---|
| External bus | <ul style="list-style-type: none"> <li>• CS area: Connected to the external devices (external memory interface)</li> <li>• QSPI area: Connected to the QSPI (external device interface).</li> </ul> |

**Table 1.7 Timers**

| Feature                                  | Functional description  |
|--|---|
| General PWM Timer (GPT)                  | The General PWM Timer (GPT) is a 32-bit timer with 4 channels and a 16-bit timer with 6 channels. PWM waveforms can be generated by controlling the up-counter, down-counter, or the up- and down-counter. In addition, PWM waveforms can be generated for controlling brushless DC motors. The GPT can also be used as a general-purpose timer. See section 23, General PWM Timer (GPT) in User's Manual.  |
| Port Output Enable for GPT (POEG)        | Use the Port Output Enable for GPT (POEG) function to place the General PWM Timer (GPT) output pins in the output disable state. See section 22, Port Output Enable for GPT (POEG) in User's Manual.  |
| Asynchronous General Purpose Timer (AGT) | The Asynchronous General Purpose Timer (AGT) is a 16-bit timer that can be used for pulse output, external pulse width or period measurement, and counting external events. This 16-bit timer consists of a reload register and a down-counter. The reload register and the down-counter are allocated to the same address, and they can be accessed with the AGT register. See section 24, Asynchronous General Purpose Timer (AGT) in User's Manual.  |
| Realtime Clock (RTC)                     | The Realtime Clock (RTC) has two counting modes, calendar count mode and binary count mode, that are controlled by the register settings.<br>For calendar count mode, the RTC has a 100-year calendar from 2000 to 2099 and automatically adjusts dates for leap years.<br>For binary count mode, the RTC counts seconds and retains the information as a serial value. Binary count mode can be used for calendars other than the Gregorian (Western) calendar. See section 25, Realtime Clock (RTC) in User's Manual. |

**Table 1.8 Communication interfaces (1 of 2)**

| Feature                                 | Functional description  |
|---|---|
| Serial Communications Interface (SCI)   | The Serial Communications Interface (SCI) is configurable to five asynchronous and synchronous serial interfaces: <ul style="list-style-type: none"> <li>• Asynchronous interfaces (UART and asynchronous communications interface adapter (ACIA))</li> <li>• 8-bit clock synchronous interface</li> <li>• Simple IIC (master-only)</li> <li>• Simple SPI</li> <li>• Smart card interface.</li> </ul> The smart card interface complies with the ISO/IEC 7816-3 standard for electronic signals and transmission protocol.<br>SCI0 and SCI1 have FIFO buffers to enable continuous and full-duplex communication, and the data transfer speed can be configured independently using an on-chip baud rate generator. See section 29, Serial Communications Interface (SCI) in User's Manual. |
| I <sup>2</sup> C Bus Interface (IIC)    | The 3-channel I <sup>2</sup> C Bus Interface (IIC) module conforms with and provides a subset of the NXP I <sup>2</sup> C bus (Inter-Integrated Circuit bus) interface functions. See section 30, I <sup>2</sup> C Bus Interface (IIC) in User's Manual.  |
| Serial Peripheral Interface (SPI)       | Two independent Serial Peripheral Interface (SPI) channels are capable of high-speed, full-duplex synchronous serial communications with multiple processors and peripheral devices. See section 32, Serial Peripheral Interface (SPI) in User's Manual.  |
| Serial Sound Interface Enhanced (SSIE)  | The Serial Sound Interface Enhanced (SSIE) peripheral provides functionality to interface with digital audio devices for transmitting PCM audio data over a serial bus with the MCU. The SSIE supports an audio clock frequency of up to 25 MHz, and can be operated as a slave or master receiver, transmitter, or transceiver to suit various applications. The SSIE includes 8-stage FIFO buffers in the receiver and transmitter, and supports interrupts and DMA-driven data reception and transmission. See section 35, Serial Sound Interface Enhanced (SSIE) in User's Manual.  |
| Quad Serial Peripheral Interface (QSPI) | The Quad Serial Peripheral Interface (QSPI) is a memory controller for connecting a serial ROM (nonvolatile memory such as a serial flash memory, serial EEPROM, or serial FeRAM) that has an SPI-compatible interface. See section 33, Quad Serial Peripheral Interface (QSPI) in User's Manual.   |

**Table 1.8 Communication interfaces (2 of 2)**

| Feature                              | Functional description   |
|--------------------------------------|--|
| Controller Area Network (CAN) Module | The Controller Area Network (CAN) module provides functionality to receive and transmit data using a message-based protocol between multiple slaves and masters in electromagnetically noisy applications.<br>The CAN module complies with the ISO 11898-1 (CAN 2.0A/CAN 2.0B) standard and supports up to 32 mailboxes, which can be configured for transmission or reception in normal mailbox and FIFO modes. Both standard (11-bit) and extended (29-bit) messaging formats are supported. See section 31, Controller Area Network (CAN) Module in User's Manual.  |
| USB 2.0 Full-Speed Module (USBFS)    | The USB 2.0 Full-Speed Module (USBFS) can operate as a host controller or device controller. The module supports full-speed and low-speed (only for the host controller) transfer as defined in the Universal Serial Bus specification 2.0. The module has an internal USB transceiver and supports all of the transfer types defined in the Universal Serial Bus specification 2.0. The USB has buffer memory for data transfer, providing a maximum of 10 pipes. Pipes 1 to 9 can be assigned any endpoint number based on the peripheral devices used for communication or based on the user system. The MCU supports revision 1.2 of the Battery Charging specification. Because the MCU can be powered at 5 V, the USB LDO regulator provides the internal USB transceiver power supply at 3.3 V. See section 28, USB 2.0 Full-Speed Module (USBFS) in User's Manual. |
| SD/MMC Host Interface (SDHI)         | The SD/MMC Host Interface (SDHI) provides the functionality needed to connect a variety of external memory cards to the MCU. The SDHI supports both 1-bit and 4-bit buses for connecting different memory cards that support SD, SDHC, and SDXC formats. When developing host devices that are compliant with the SD specifications, you must comply with the SD Host/Ancillary Product License Agreement (SD HALA).<br>The MMC interface supports 1-bit, 4-bit, and 8-bit MMC buses that provide eMMC 4.51 (JEDEC Standard JESD 84-B451) device access. This interface also provides backward compatibility and support for high-speed SDR transfer modes. See section 36, SD/MMC Host Interface (SDHI) in User's Manual.   |

**Table 1.9 Analog**

| Feature                                 | Functional description   |
|---|--|
| 14-bit A/D Converter (ADC14)            | A 14-bit successive approximation A/D converter is provided. Up to 28 analog input channels are selectable. Temperature sensor output and internal reference voltage are selectable for conversion. The A/D conversion accuracy is selectable from 12-bit and 14-bit conversion making it possible to optimize the tradeoff between speed and resolution in generating a digital value. See section 38, 14-Bit A/D Converter (ADC14) in User's Manual.   |
| 12-bit D/A Converter (DAC12)            | The 12-bit D/A Converter (DAC12) converts data and includes an output amplifier. See section 39, 12-Bit D/A Converter (DAC12) in User's Manual.  |
| 8-bit D/A Converter (DAC8) (for ACMPLP) | The 8-bit D/A Converter (DAC8) converts data and does not include an output amplifier (DAC8). The DAC8 is used only as the reference voltage for ACMPLP. See section 43, 8-Bit D/A Converter (DAC8) in User's Manual.  |
| Temperature Sensor (TSN)                | The on-chip Temperature Sensor (TSN) determines and monitors the die temperature for reliable operation of the device. The sensor outputs a voltage directly proportional to the die temperature, and the relationship between the die temperature and the output voltage is linear. The output voltage is provided to the ADC14 for conversion and can be further used by the end application. See section 40, Temperature Sensor (TSN) in User's Manual.   |
| Low-Power Analog Comparator (ACMPLP)    | The Low-Power Analog Comparator (ACMPLP) compares the reference input voltage and analog input voltage. The comparison result can be read through software and also be output externally. The reference input voltage can be selected from an input to the CMPREFi (i = 0, 1) pin, an internal 8-bit D/A converter output, or the internal reference voltage (Vref) generated internally in the MCU.<br>The ACMPLP response speed can be set before starting an operation. Setting the high-speed mode decreases the response delay time, but increases current consumption. Setting the low-speed mode increases the response delay time, but decreases current consumption. See section 42, Low Power Analog Comparator (ACMPLP) in User's Manual. |
| Operational Amplifier (OPAMP)           | The Operational Amplifier (OPAMP) amplifies small analog input voltages and outputs the amplified voltages. A total of four differential operational amplifier units with two input pins and one output pin are provided. See section 41, Operational Amplifier (OPAMP) in User's Manual.  |

**Table 1.10 Human machine interfaces**

| Feature                              | Functional description   |
|--------------------------------------|--|
| Segment LCD Controller (SLCDC)       | <p>The Segment LCD Controller (SLCDC) provides the following functions:</p> <ul style="list-style-type: none"> <li>• Waveform A or B selectable</li> <li>• The LCD driver voltage generator can switch between an internal voltage boosting method, a capacitor split method, and an external resistance division method</li> <li>• Automatic output of segment and common signals based on automatic display data register read</li> <li>• The reference voltage generated when operating the voltage boost circuit can be selected in 16 steps (contrast adjustment)</li> <li>• The LCD can be made to blink.</li> </ul> <p>See section 48, Segment LCD Controller (SLCDC) in User's Manual.</p> |
| Capacitive Touch Sensing Unit (CTSU) | <p>The Capacitive Touch Sensing Unit (CTSU) measures the electrostatic capacitance of the touch sensor. Changes in the electrostatic capacitance are determined by software, which enables the CTSU to detect whether a finger is in contact with the touch sensor. The electrode surface of the touch sensor is usually enclosed within an electrical insulator so that fingers do not come into direct contact with the electrode. See section 44, Capacitive Touch Sensing Unit (CTSU) in User's Manual.</p>  |

**Table 1.11 Data processing**

| Feature                                  | Functional description   |
|--|--|
| Cyclic Redundancy Check (CRC) calculator | <p>The Cyclic Redundancy Check (CRC) calculator generates CRC codes to detect errors in the data. The bit order of CRC calculation results can be switched for LSB-first or MSB-first communication. Additionally, various CRC-generating polynomials are available. The snoop function allows monitoring reads from and writes to specific addresses. This function is useful in applications that require CRC code to be generated automatically in certain events, such as monitoring writes to the serial transmit buffer and reads from the serial receive buffer. See section 34, Cyclic Redundancy Check (CRC) Calculator in User's Manual.</p> |
| Data Operation Circuit (DOC)             | <p>The Data Operation Circuit (DOC) compares, adds, and subtracts 16-bit data. See section 45, Data Operation Circuit (DOC) in User's Manual.</p>  |

**Table 1.12 Security**

| Feature                       | Functional description  |
|-------------------------------|---|
| Secure Crypto Engine 5 (SCE5) | <ul style="list-style-type: none"> <li>• Security algorithm <ul style="list-style-type: none"> <li>- Symmetric algorithm: AES.</li> </ul> </li> <li>• Other support features <ul style="list-style-type: none"> <li>- TRNG (True Random Number Generator)</li> <li>- Hash-value generation: GHASH.</li> </ul> </li> </ul> |



## 1.2 Block Diagram

Figure 1.1 shows a block diagram of the MCU superset. Some individual devices within the group have a subset of the features.

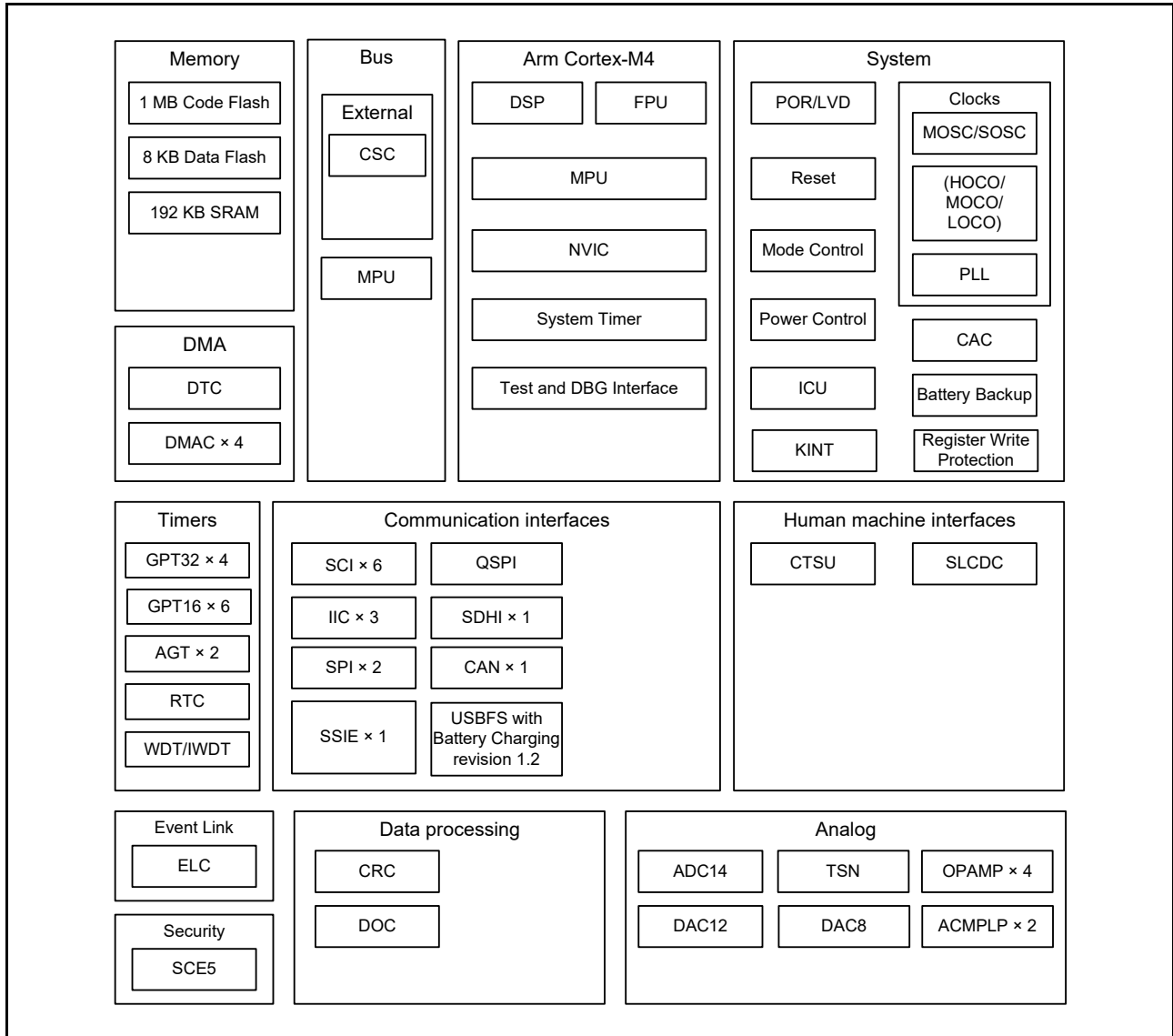


Figure 1.1 Block diagram

### 1.3 Part Numbering

Figure 1.2 shows the product part number information, including memory capacity, and package type. Table 1.14 shows a product list.

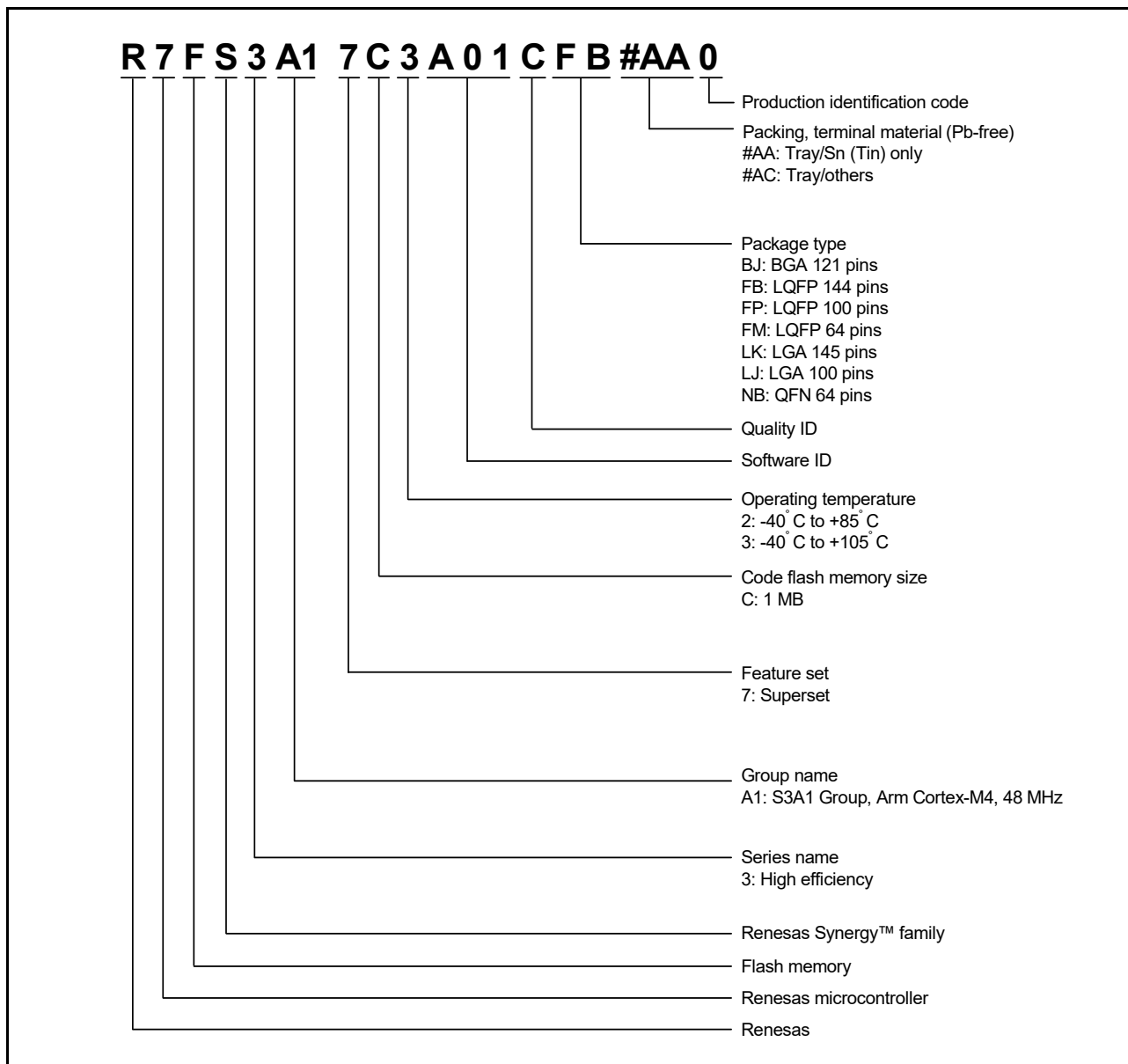


Figure 1.2 Part numbering scheme

Table 1.13 Product list

| Product part number | Ordering part number | Package code | Code flash | Data flash | SRAM   | Operating temperature |
|---------------------|----------------------|--------------|------------|------------|--------|-----------------------|
| R7FS3A17C2A01CLK    | R7FS3A17C2A01CLK#AC0 | PTLG0145KA-A | 1 MB       | 8 KB       | 192 KB | -40 to +85°C          |
| R7FS3A17C3A01CFB    | R7FS3A17C3A01CFB#AA0 | PLQP0144KA-B |            |            |        | -40 to +105°C         |
| R7FS3A17C2A01CBJ    | R7FS3A17C2A01CBJ#AC0 | PLBG0121JA-A |            |            |        | -40 to +85°C          |
| R7FS3A17C3A01CFP    | R7FS3A17C3A01CFP#AA0 | PLQP0100KB-B |            |            |        | -40 to +105°C         |
| R7FS3A17C2A01CLJ    | R7FS3A17C2A01CLJ#AC0 | PTLG0100JA-A |            |            |        | -40 to +85°C          |
| R7FS3A17C3A01CFM    | R7FS3A17C3A01CFM#AA0 | PLQP0064KB-C |            |            |        | -40 to +105°C         |
| R7FS3A17C3A01CNB    | R7FS3A17C3A01CNB#AC0 | PWQN0064LA-A |            |            |        | -40 to +105°C         |

## 1.4 Function Comparison

Table 1.14 Function comparison

| Part numbers      | R7FS3A17C2A01CLK | R7FS3A17C3A01CFB                       | R7FS3A17C2A01CBJ | R7FS3A17C3A01CFP                       | R7FS3A17C2A01CLJ | R7FS3A17C3A01CFM/<br>R7FS3A17C3A01CNB  |  |
|-------------------|------------------|--|------------------|--|------------------|--|--|
| Pin count         | 145              | 144                                    | 121              | 100                                    | 100              | 64                                     |  |
| Package           | LGA              | LQFP                                   | BGA              | LQFP                                   | LGA              | LQFP/QFN                               |  |
| Code flash memory | 1 MB             |  |                  |  |                  |  |  |
| Data flash memory | 8 KB             |  |                  |  |                  |  |  |
| SRAM              | 192 KB           |  |                  |  |                  |  |  |
|                   | Parity           | 176 KB                                 |                  |  |                  |  |  |
|                   | ECC              | 16 KB                                  |                  |  |                  |  |  |
| System            | CPU clock        | 48 MHz                                 |                  |  |                  |  |  |
|                   | Backup registers | 512 bytes                              |                  |  |                  |  |  |
|                   | ICU              | Yes                                    |                  |  |                  |  |  |
|                   | KINT             | 8                                      |                  |  |                  |  |  |
| Event control     | ELC              | Yes                                    |                  |  |                  |  |  |
| DMA               | DTC              | Yes                                    |                  |  |                  |  |  |
|                   | DMAC             | 4                                      |                  |  |                  |  |  |
| Bus               | External bus     | 16-bit bus                             | 8-bit bus        |  |                  | No                                     |  |
| Timers            | GPT32            | 4                                      |                  |  |                  |  |  |
|                   | GPT16            | 6                                      |                  |  |                  |  |  |
|                   | AGT              | 2                                      |                  |  |                  |  |  |
|                   | RTC              | Yes                                    |                  |  |                  |  |  |
|                   | WDT/IWDT         | Yes                                    |                  |  |                  |  |  |
| Communication     | SCI              | 6                                      |                  |  |                  |  |  |
|                   | IIC              | 3                                      |                  | 2                                      |                  |  |  |
|                   | SPI              | 2                                      |                  |  |                  |  |  |
|                   | SSIE             | 1                                      |                  |  |                  |  | No                                     |
|                   | QSPI             | 1                                      |                  |  |                  |  | No                                     |
|                   | SDHI             | 1                                      |                  |  |                  |  | No                                     |
|                   | CAN              | 1                                      |                  |  |                  |  |  |
|                   | USBFS            | Yes                                    |                  |  |                  |  |  |
| Analog            | ADC14            | 28                                     |                  | 26                                     |                  | 18                                     |  |
|                   | DAC12            | 1                                      |                  |  |                  |  |  |
|                   | DAC8             | 2                                      |                  |  |                  |  |  |
|                   | ACMPLP           | 2                                      |                  |  |                  |  |  |
|                   | OPAMP            | 4                                      | 4                | 4                                      | 4                | 4                                      | 3                                      |
|                   | TSN              | Yes                                    |                  |  |                  |  |  |
| HMI               | SLCDC            | 4 com × 54 seg<br>or<br>8 com × 50 seg |                  | 4 com × 46 seg<br>or<br>8 com × 42 seg |                  | 4 com × 38 seg<br>or<br>8 com × 34 seg | 4 com × 21 seg<br>or<br>8 com × 17 seg |
|                   | CTSU             | 27                                     |                  |  |                  |  | 24                                     |
| Data processing   | CRC              | Yes                                    |                  |  |                  |  |  |
|                   | DOC              | Yes                                    |                  |  |                  |  |  |
| Security          | SCE5             |  |                  |  |                  |  |  |

## 1.5 Pin Functions

**Table 1.15 Pin functions (1 of 4)**

| Function               | Signal               | I/O    | Description  |
|------------------------|----------------------|--------|--|
| Power supply           | VCC                  | Input  | Power supply pin. Connect this pin to the system power supply. Connect it to VSS through a 0.1- $\mu$ F capacitor. The capacitor should be placed close to the pin.              |
|                        | VCL                  | Input  | Connect this pin to the VSS pin through the smoothing capacitor used to stabilize the internal power supply. Place the capacitor close to the pin.                               |
|                        | VSS                  | Input  | Ground pin. Connect to the system power supply (0 V).  |
|                        | VBATT                | Input  | Backup power supply pin  |
| Clock                  | XTAL                 | Output | Pins for a crystal resonator. An external clock signal can be input through the EXTAL pin.   |
|                        | EXTAL                | Input  |  |
|                        | XCIN                 | Input  | Input/output pins for the sub-clock oscillator. Connect a crystal resonator between XCOU and XCIN.   |
|                        | XCOU                 | Output |  |
|                        | EBCLK                | Output | Outputs the external bus clock for external devices  |
|                        | CLKOUT               | Output | Clock output pin   |
| Operating mode control | MD                   | Input  | Pins for setting the operating mode. The signal levels on these pins must not be changed during operation mode transition on release from the reset state.                       |
| System control         | RES                  | Input  | Reset signal input pin. The MCU enters the reset state when this signal goes low.  |
| CAC                    | CACREF               | Input  | Measurement reference clock input pin  |
| Interrupt              | NMI                  | Input  | Non-maskable interrupt request pin   |
|                        | IRQ0 to IRQ15        | Input  | Maskable interrupt request pins  |
| KINT                   | KR00 to KR07         | Input  | Key interrupt input pins.<br>A key interrupt (KINT) can be generated by inputting a falling edge to the key interrupt input pins.  |
| On-chip debug          | TMS                  | I/O    | On-chip emulator or boundary scan pins   |
|                        | TDI                  | Input  |  |
|                        | TCK                  | Input  |  |
|                        | TDO                  | Output |  |
|                        | SWDIO                | I/O    | Serial wire debug data input/output pin  |
|                        | SWCLK                | Input  | Serial wire clock pin  |
|                        | SWO                  | Output | Serial wire trace output pin   |
| External bus interface | RD                   | Output | Strobe signal indicating that reading from the external bus interface space is in progress, active-low   |
|                        | WR                   | Output | Strobe signal indicating that writing to the external bus interface space is in progress, in 1-write strobe mode, active-low   |
|                        | WR0, WR1             | Output | Strobe signals indicating that either group of data bus pins (D07 to D00, D15 to D08) is valid in writing to the external bus interface space, in byte strobe mode, active-low   |
|                        | BC0, BC1             | Output | Strobe signals indicating that either group of data bus pins (D07 to D00, D15 to D08) is valid in access to the external bus interface space, in 1-write strobe mode, active-low |
|                        | ALE                  | Output | Address latch signal when address/data multiplexed bus is selected   |
|                        | WAIT                 | Input  | Input pin for wait request signals in access to the external space, active-low   |
|                        | CS0 to CS3           | Output | Select signals for CS areas, active-low  |
|                        | A00 to A23           | Output | Address bus  |
|                        | D00 to D15           | I/O    | Data bus   |
| Battery backup         | VBATWIO0 to VBATWIO2 | I/O    | Output wakeup signal for the VBATT wakeup control function.<br>External event input for the VBATT wakeup control function.   |

**Table 1.15 Pin functions (2 of 4)**

| Function | Signal                                 | I/O    | Description  |
|----------|--|--------|--|
| GPT      | GTETRGA, GTETRGB                       | Input  | External trigger input pin   |
|          | GTIOC0A to GTIOC9A, GTIOC0B to GTIOC9B | I/O    | Input capture, output capture, or PWM output pin   |
|          | GTIU                                   | Input  | Hall sensor input pin U  |
|          | GTIV                                   | Input  | Hall sensor input pin V  |
|          | GTIW                                   | Input  | Hall sensor input pin W  |
|          | GTOUUP                                 | Output | 3-phase PWM output for BLDC motor control (positive U phase)   |
|          | GTOULO                                 | Output | 3-phase PWM output for BLDC motor control (negative U phase)   |
|          | GTOVUP                                 | Output | 3-phase PWM output for BLDC motor control (positive V phase)   |
|          | GTOVLO                                 | Output | 3-phase PWM output for BLDC motor control (negative V phase)   |
|          | GTOWUP                                 | Output | 3-phase PWM output for BLDC motor control (positive W phase)   |
|          | GTOWLO                                 | Output | 3-phase PWM output for BLDC motor control (negative W phase)   |
| AGT      | AGTEE0, AGTEE1                         | Input  | External event input enable signals  |
|          | AGTIO0, AGTIO1                         | I/O    | External event input and pulse output pins   |
|          | AGTO0, AGTO1                           | Output | Pulse output pins  |
|          | AGTOA0, AGTOA1                         | Output | Output compare match A output pins   |
|          | AGTOB0, AGTOB1                         | Output | Output compare match B output pins   |
| RTC      | RTCOUT                                 | Output | Output pin for 1-Hz/64-Hz clock  |
|          | RTCIC0 to RTCIC2                       | Input  | Time capture event input pins  |
| SCI      | SCK0 to SCK4, SCK9                     | I/O    | Clock (clock synchronous mode) input/output pins   |
|          | RXD0 to RXD4, RXD9                     | Input  | Received data (asynchronous mode/clock synchronous mode) input pins  |
|          | TXD0 to TXD4, TXD9                     | Output | Transmitted data (asynchronous mode/clock synchronous mode) output pins  |
|          | CTS0_RTS0 to CTS4_RTS4, CTS9_RTS9      | I/O    | Input/output pins for controlling the start of transmission and reception (asynchronous mode/clock synchronous mode), active-low |
|          | SCL0 to SCL4, SCL9                     | I/O    | I <sup>2</sup> C clock (simple IIC) input/output pins  |
|          | SDA0 to SDA4, SDA9                     | I/O    | I <sup>2</sup> C data (simple IIC) input/output pins   |
|          | SCK0 to SCK4, SCK9                     | I/O    | Clock (simple SPI) input/output pins   |
|          | MISO0 to MISO4, MISO9                  | I/O    | Slave transmission of data (simple SPI) input/output pins  |
|          | MOSI0 to MOSI4, MOSI9                  | I/O    | Master transmission of data (simple SPI) input/output pins   |
|          | SS0 to SS4, SS9                        | Input  | Slave-select input pins (simple SPI), active-low   |
| IIC      | SCL0 to SCL2                           | I/O    | Clock input/output pins  |
|          | SDA0 to SDA2                           | I/O    | Data input/output pins   |
| SSIE     | SSIBCK0                                | I/O    | SSIE serial bit clock pin  |
|          | SSILRCK0/SSIFS0                        | I/O    | Word select pins   |
|          | SSITXD0                                | Output | Serial data output pin   |
|          | SSIRXD0                                | Input  | Serial data input pin  |
|          | AUDIO_CLK                              | Input  | External clock pin for audio (input oversampling clock)  |

**Table 1.15 Pin functions (3 of 4)**

| Function            | Signal                                   | I/O    | Description   |
|---------------------|--|--------|---|
| SPI                 | RSPCKA, RSPCKB                           | I/O    | Clock input/output pin  |
|                     | MOSIA, MOSIB                             | I/O    | Input/output pins for data output from the master   |
|                     | MISOA, MISOB                             | I/O    | Input/output pins for data output from the slave  |
|                     | SSLA0, SSLB0                             | I/O    | Input/output pins for slave selection   |
|                     | SSLA1, SSLA2, SSLA3, SSLB1, SSLB2, SSLB3 | Output | Output pins for slave selection   |
| QSPI                | QSPCLK                                   | Output | QSPI clock output pin   |
|                     | QSSL                                     | Output | QSPI slave output pin   |
|                     | QIO0                                     | I/O    | Master transmit data/Data 0   |
|                     | QIO1                                     | I/O    | Master input data/Data 1  |
|                     | QIO2, QIO3                               | I/O    | Data 2, Data 3  |
| CAN                 | CRX0                                     | Input  | Receive data  |
|                     | CTX0                                     | Output | Transmit data   |
| USBFS               | VSS_USB                                  | Input  | Ground pin  |
|                     | VCC_USB_LDO                              | Input  | Power supply pin for USB LDO regulator  |
|                     | VCC_USB                                  | I/O    | Input: Power supply pin for USB transceiver.<br>Output: USB LDO regulator output pin. This pin should be connected to an external capacitor.  |
|                     | USB_DP                                   | I/O    | D+ I/O pin of the USB on-chip transceiver. This pin should be connected to the D+ pin of the USB bus.   |
|                     | USB_DM                                   | I/O    | D- I/O pin of the USB on-chip transceiver. This pin should be connected to the D- pin of the USB bus.   |
|                     | USB_VBUS                                 | Input  | USB cable connection monitor pin. This pin should be connected to VBUS on the USB bus. The VBUS pin status (connected or disconnected) can be detected when the USB module is operating as a device controller. |
|                     | USB_EXICEN                               | Output | Low power control signal for external power supply (OTG) chip   |
|                     | USB_VBUSEN                               | Output | VBUS (5 V) supply enable signal for external power supply chip  |
|                     | USB_OVRCURA, USB_OVRCURB                 | Input  | Connect the external overcurrent detection signals to these pins. Connect the VBUS comparator signals to these pins when the OTG power supply chip is connected.  |
|                     | USB_ID                                   | Input  | Connect the MicroAB connector ID input signal to this pin during operation in OTG mode  |
| SDHI                | SD0CLK                                   | Output | SD clock output pin   |
|                     | SD0CMD                                   | I/O    | SD command output, response input signal pin  |
|                     | SD0DAT0 to SD0DAT7                       | I/O    | SD data bus pins  |
|                     | SD0CD                                    | Input  | SD card detection pin   |
|                     | SD0WP                                    | Input  | SD write-protect signal   |
| Analog power supply | AVCC0                                    | Input  | Analog voltage supply pin   |
|                     | AVSS0                                    | Input  | Analog voltage supply ground pin  |
|                     | VREFH0                                   | Input  | Analog reference voltage supply pin   |
|                     | VREFL0                                   | Input  | Reference power supply ground pin   |
|                     | VREFH                                    | Input  | Analog reference voltage supply pin for D/A converter   |
|                     | VREFL                                    | Input  | Analog reference ground pin for D/A converter   |
| ADC14               | AN000 to AN027                           | Input  | Input pins for the analog signals to be processed by the A/D converter  |
|                     | ADTRG0                                   | Input  | Input pins for the external trigger signals that start the A/D conversion, active-low   |
| DAC12               | DA0                                      | Output | Output pins for the analog signals to be processed by the D/A converter   |
| Comparator output   | VCOUT                                    | Output | Comparator output pin   |
| ACMPLP              | CMPREF0, CMPREF1                         | Input  | Reference voltage input pins  |
|                     | CMPIN0, CMPIN1                           | Input  | Analog voltage input pins   |

**Table 1.15 Pin functions (4 of 4)**

| Function       | Signal  | I/O                | Description  |
|----------------|---|--------------------|--|
| OPAMP          | AMP0+ to AMP3+  | Input              | Analog voltage input pins                                |
|                | AMP0- to AMP3-  | Input              | Analog voltage input pins                                |
|                | AMP0O to AMP3O  | Output             | Analog voltage output pins                               |
| CTSU           | TS00 to TS13,<br>TS17 to TS22,<br>TS27 to TS31,<br>TS34, TS35 | Input              | Capacitive touch detection pins (touch pins)             |
|                | TSCAP   | -                  | Secondary power supply pin for the touch driver          |
| I/O ports      | P000 to P015  | I/O                | General-purpose input/output pins                        |
|                | P100 to P115  | I/O                | General-purpose input/output pins                        |
|                | P200  | Input              | General-purpose input pin                                |
|                | P201 to P206,<br>P212, P213                                   | I/O                | General-purpose input/output pins                        |
|                | P214, P215  | Input              | General-purpose input pins                               |
|                | P300 to P315  | I/O                | General-purpose input/output pins                        |
|                | P400 to P415  | I/O                | General-purpose input/output pins                        |
|                | P500 to P507,<br>P511, P512                                   | I/O                | General-purpose input/output pins                        |
|                | P600 to P606,<br>P608 to P614                                 | I/O                | General-purpose input/output pins                        |
|                | P700 to P705,<br>P708 to P713                                 | I/O                | General-purpose input/output pins                        |
|                | P800 to P809  | I/O                | General-purpose input/output pins                        |
|                | P900 to P902, P914,<br>P915                                   | I/O                | General-purpose input/output pins                        |
|                | SLCDC   | VL1, VL2, VL3, VL4 | I/O  |
| CAPH, CAPL     |   | I/O                | Capacitor connection pin for the LCD controller/driver   |
| COM0 to COM7   |   | Output             | Common signal output pins for the LCD controller/driver  |
| SEG00 to SEG53 |   | Output             | Segment signal output pins for the LCD controller/driver |

### 1.6 Pin Assignments

Figure 1.3 to Figure 1.9 show the pin assignments.

| R7FS3A17C2A01CLK |                    |                    |                 |                  |      |      |                |                |       |      |       |                 |                 |     |   |
|------------------|--------------------|--------------------|-----------------|------------------|------|------|----------------|----------------|-------|------|-------|-----------------|-----------------|-----|---|
|                  | A                  | B                  | C               | D                | E    | F    | G              | H              | J     | K    | L     | M               | N               |     |   |
| 13               | P407               | P409               | P412            | P708             | P711 | VCC  | P212<br>/EXTAL | P215<br>/XCIN  | VCL   | P702 | P405  | P402            | P400            | 13  |   |
| 12               | P915/<br>USB_DM    | P914/<br>USB_DP    | P410            | P414             | P710 | VSS  | P213<br>/XTAL  | P214<br>/XCOUT | VBATT | P701 | P404  | P511            | VCC             | 12  |   |
| 11               | VCC_<br>USB        | VSS_<br>USB        | VCC_<br>USB_LDO | P411             | P415 | P712 | P705           | P704           | P703  | P403 | P401  | P512            | VSS             | 11  |   |
| 10               | P205               | P206               | P204            | P408             | P413 | P709 | P713           | P700           | P406  | P003 | P000  | P002            | P001            | 10  |   |
| 9                | P203               | P313               | P202            | P314             |      |      |                |                |       | P004 | P006  | P009            | P008            | 9   |   |
| 8                | P900               | P901               | P200            | P315             |      |      |                |                |       | P005 | AVSS0 | P011<br>/VREFL0 | P010<br>/VREFH0 | 8   |   |
| 7                | VSS                | P902               | RES             | P310             |      |      |                |                |       | P007 | AVCC0 | P013<br>/VREFL  | P012<br>/VREFH  | 7   |   |
| 6                | VCC                | P201/MD            | P312            | P305             |      |      |                |                |       | P505 | P506  | P015            | P014            | 6   |   |
| 5                | P309               | P311               | P308            | P303             | NC   |      |                |                |       |      | P503  | P504            | VSS             | VCC | 5 |
| 4                | P307               | P306               | P304            | P109/TDO<br>/SWO | P114 | P608 | P604           | P600           | P105  | P500 | P502  | P501            | P507            | 4   |   |
| 3                | P808               | P809               | P301            | P112             | P115 | P610 | P614           | P603           | P107  | P106 | P104  | P803            | P802            | 3   |   |
| 2                | P302               | P300/TCK<br>/SWCLK | P111            | P806             | P609 | P612 | VSS            | P605           | P601  | P805 | P800  | P101            | P801            | 2   |   |
| 1                | P108/TMS<br>/SWDIO | P110/TDI           | P113            | P807             | P611 | P613 | VCC            | P606           | P602  | P804 | P103  | P102            | P100            | 1   |   |
|                  | A                  | B                  | C               | D                | E    | F    | G              | H              | J     | K    | L     | M               | N               |     |   |

Figure 1.3 Pin assignment for 145-pin LGA (top view)



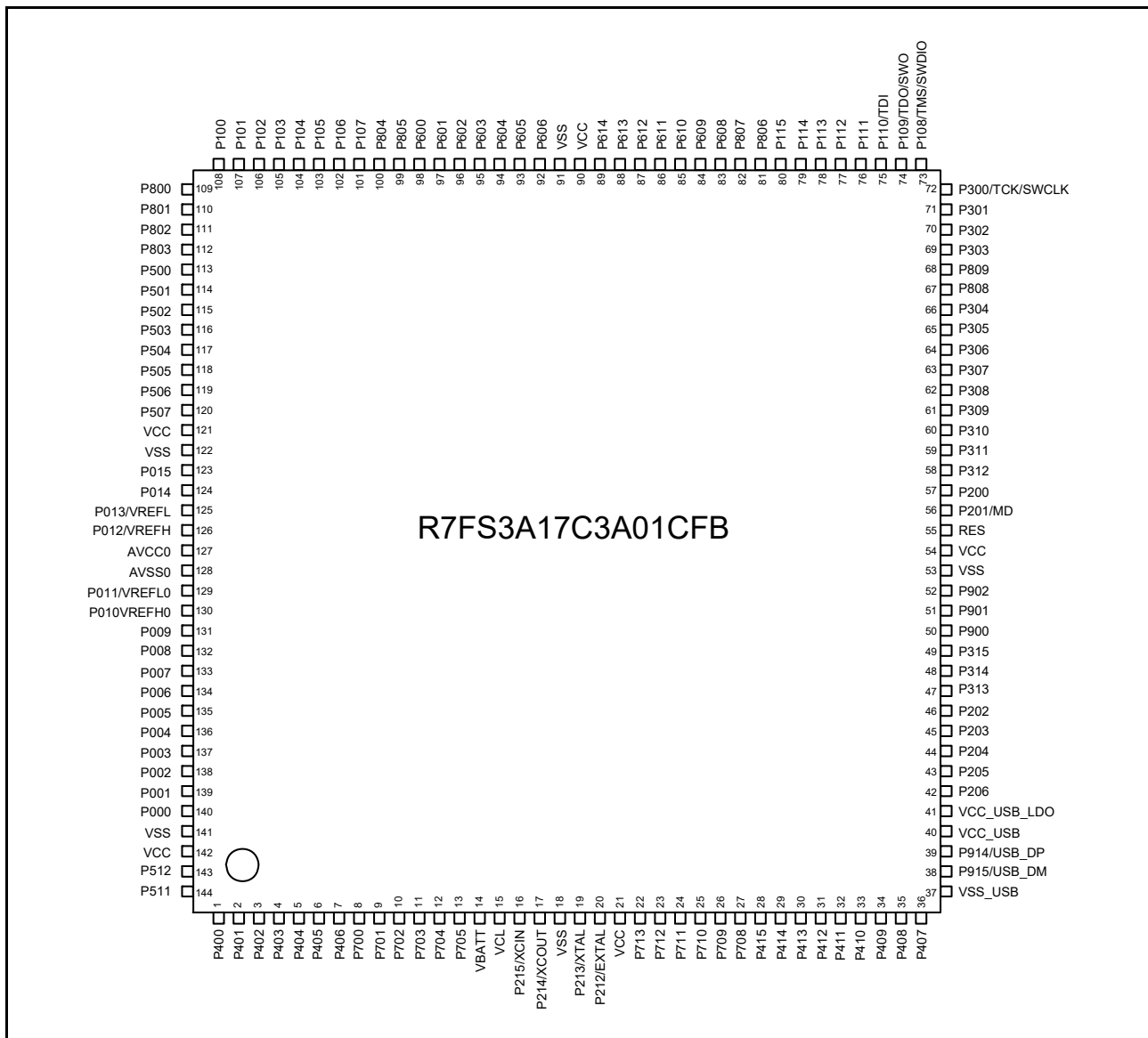


Figure 1.4 Pin assignment for 144-pin LQFP (top view)

### R7FS3A17C2A01CBJ

|    | A                      | B                      | C        | D       | E              | F              | G     | H    | J     | K               | L               |    |
|----|------------------------|------------------------|----------|---------|----------------|----------------|-------|------|-------|-----------------|-----------------|----|
| 11 | P407                   | P408                   | P411     | P414    | P212/<br>EXTAL | P215/<br>XCIN  | VCL   | P406 | P403  | P401            | P400            | 11 |
| 10 | P915/<br>USB_DM        | P914/<br>USB_DP        | P410     | P415    | P213/<br>XTAL  | P214/<br>XCOUT | VBATT | P405 | P402  | P511            | P512            | 10 |
| 9  | VCC_<br>USB            | VSS_<br>USB            | P409     | P412    | P708           | VCC            | VSS   | P404 | P002  | P001            | P000            | 9  |
| 8  | P205                   | VCC_<br>USB_<br>LDO    | P206     | P204    | P413           | P710           | P702  | P006 | P004  | P003            | P005            | 8  |
| 7  | P203                   | P202                   | P313     | P314    | P315           | P709           | P701  | P007 | AVSS0 | P011/<br>VREFL0 | P010/<br>VREFH0 | 7  |
| 6  | VSS                    | VCC                    | RES      | P201/MD | P200           | NC             | P700  | P008 | AVCC0 | P013/<br>VREFL  | P012/<br>VREFH  | 6  |
| 5  | P308                   | P309                   | P307     | P302    | P304           | P612           | P601  | P506 | P505  | P015            | P014            | 5  |
| 4  | P305                   | P306                   | P808     | P114    | P611           | P603           | P600  | P504 | P503  | VSS             | VCC             | 4  |
| 3  | P809                   | P303                   | P110/TDI | P111    | P609           | P604           | P106  | P104 | P502  | P500            | P501            | 3  |
| 2  | P301                   | P108/<br>TMS/<br>SWDIO | P113     | P608    | P613           | P605           | P602  | P105 | P102  | P801            | P800            | 2  |
| 1  | P300/<br>TCK/<br>SWCLK | P109/<br>TDO/<br>SWO   | P112     | P115    | P610           | VCC            | VSS   | P107 | P103  | P101            | P100            | 1  |
|    | A                      | B                      | C        | D       | E              | F              | G     | H    | J     | K               | L               |    |

Figure 1.5 Pin assignment for 121-pin BGA (top view)

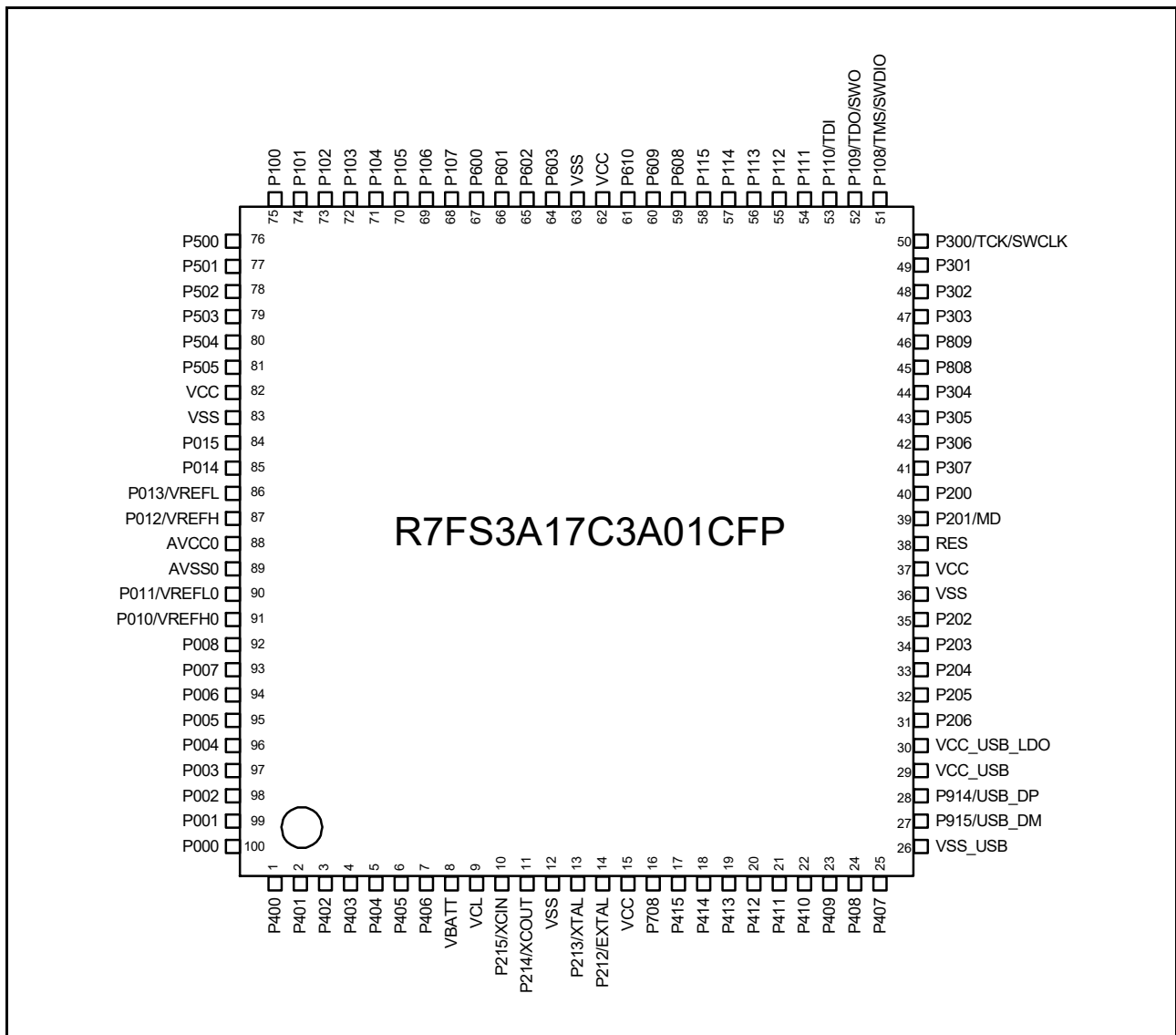


Figure 1.6 Pin assignment for 100-pin LQFP (top view)

### R7FS3A17C2A01CLJ

|    | A                      | B                    | C               | D    | E              | F              | G     | H     | J               | K               |    |
|----|------------------------|----------------------|-----------------|------|----------------|----------------|-------|-------|-----------------|-----------------|----|
| 10 | P407                   | P409                 | P412            | VCC  | P212/<br>EXTAL | P215/<br>XCIN  | VCL   | P403  | P400            | P000            | 10 |
| 9  | P915/<br>USB_DM        | P914/<br>USB_DP      | P413            | VSS  | P213/<br>XTAL  | P214/<br>XCOUT | VBATT | P405  | P401            | P001            | 9  |
| 8  | VCC_<br>USB            | VSS_<br>USB          | VCC_US<br>B_LDO | P411 | P415           | P708           | P404  | P003  | P004            | P002            | 8  |
| 7  | P205                   | P204                 | P206            | P408 | P414           | P406           | P006  | P007  | P008            | P005            | 7  |
| 6  | VSS                    | VCC                  | P202            | P203 | P410           | P402           | P505  | AVSS0 | P011/<br>VREFL0 | P010/<br>VREFH0 | 6  |
| 5  | P200                   | P201/MD              | P307            | RES  | P113           | P600           | P504  | AVCC0 | P013/<br>VREFL  | P012/<br>VREFH  | 5  |
| 4  | P305                   | P304                 | P808            | P306 | P115           | P601           | P503  | P100  | P015            | P014            | 4  |
| 3  | P809                   | P303                 | P110/TDI        | P111 | P609           | P602           | P107  | P103  | VSS             | VCC             | 3  |
| 2  | P300/<br>TCK/<br>SWCLK | P302                 | P301            | P114 | P610           | P603           | P106  | P101  | P501            | P502            | 2  |
| 1  | P108/<br>TMS/<br>SWDIO | P109/<br>TDO/<br>SWO | P112            | P608 | VCC            | VSS            | P105  | P104  | P102            | P500            | 1  |
|    | A                      | B                    | C               | D    | E              | F              | G     | H     | J               | K               |    |

Figure 1.7 Pin assignment for 100-pin LGA (top view)

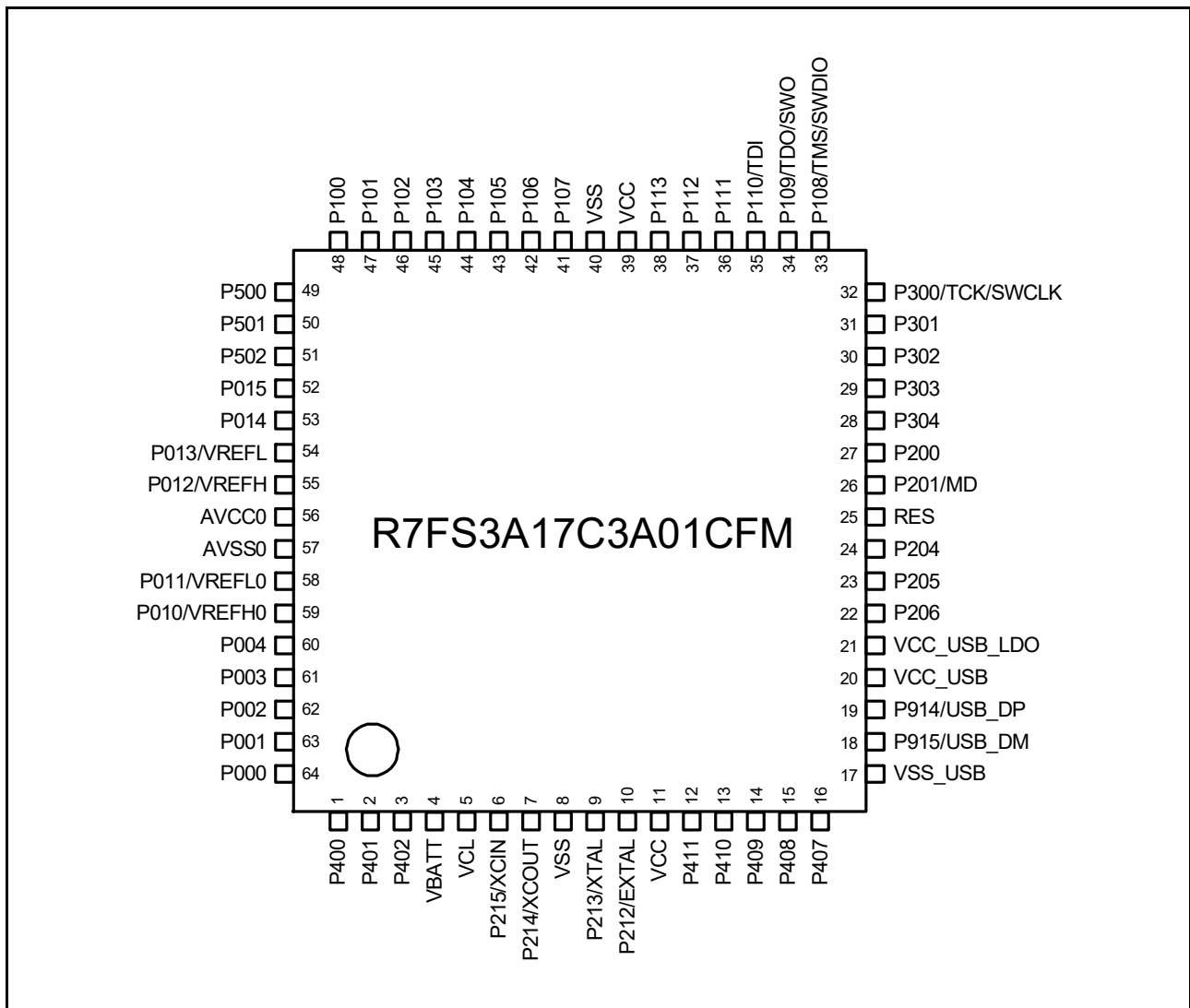


Figure 1.8 Pin assignment for 64-pin LQFP (top view)

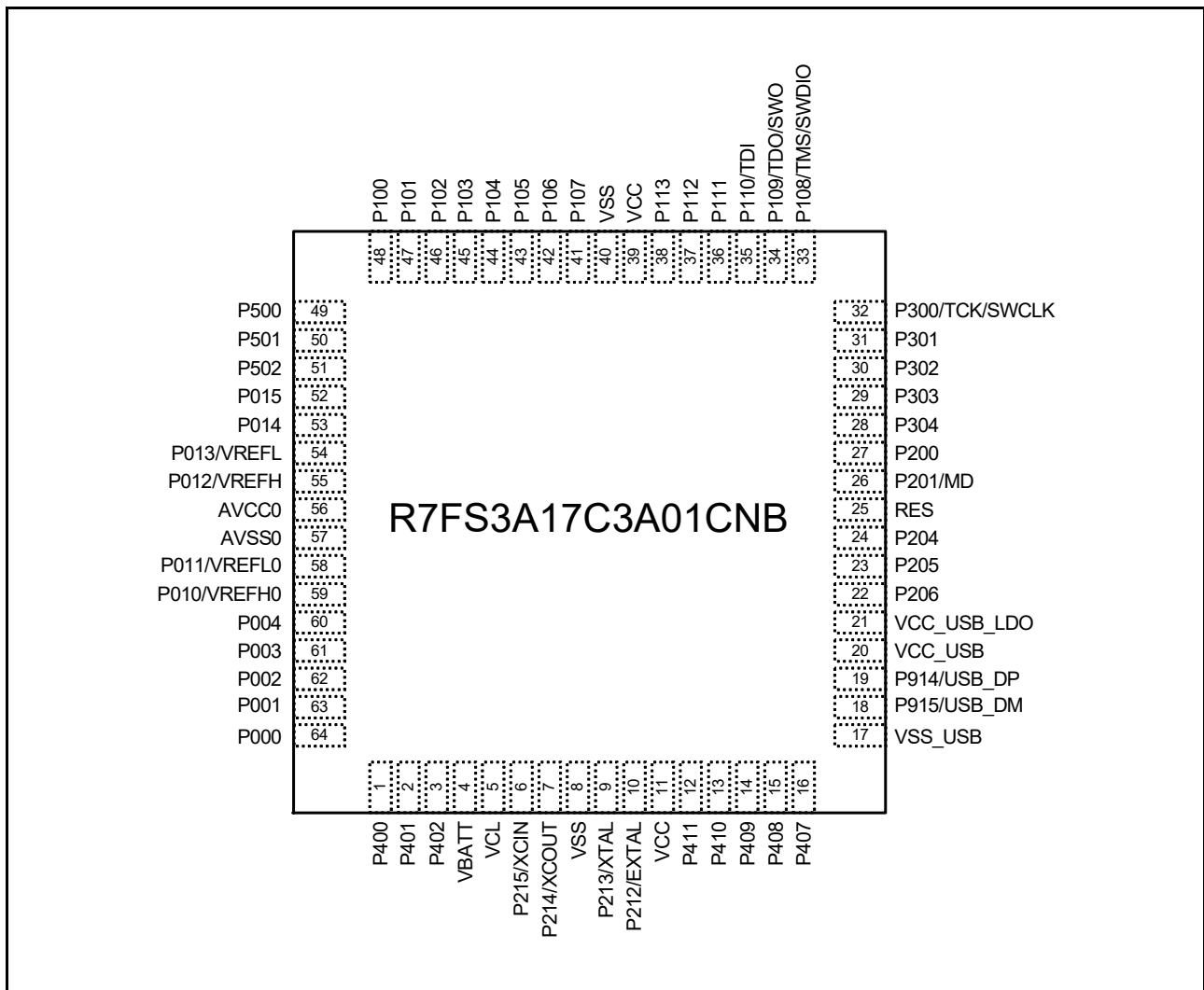


Figure 1.9 Pin assignment for 64-pin QFN (top view)

1.7 Pin Lists

| Pin number |        |      |         |          |         |               | Power, System, Clock,<br>Debug, CAC, VBATT | Interrupt | I/O port | External bus | Timers |      |                   |         | Communication interfaces |          |      |                         |  |                       | Analog |         |                    | HMI     |   |   |      |      |      |
|------------|--------|------|---------|----------|---------|---------------|--|-----------|----------|--------------|--------|------|-------------------|---------|--------------------------|----------|------|-------------------------|--|-----------------------|--------|---------|--------------------|---------|---|---|------|------|------|
| Pin        | Label  | Port | Signal  | Function | AGT     | GPT_OPS, POEG |  |           |          |              | GPT    | RTC  | USBFS, CAN        | SCI     | IIC                      | SPI/QSPI | SSIE | SDHI                    | ADC14  | DAC12, OPAMP          | ACMPLP | SI, CDC | TSU                |         |   |   |      |      |      |
| N13        | LGA145 | L1   | LQFP144 | BGA121   | LQFP100 | LGA100        | LQFP64                                     | QFN64     | CACREF   | IRQ0         | P400   | -    | AGTIO1            | -       | GTIOC6A                  | -        | -    | -                       | SCK1<br>SCK4                                     | SCL0                  | -      | -       | AUDIO_C<br>LK      | -       | - | - | -    | SEG4 | TS20 |
| L11        | 2      | K11  | 2       | J9       | 2       | 2             | -  | -         | -        | IRQ5         | P401   | -    | GTETRGA           | GTIOC6B | -                        | -        | -    | CTX0                    | TXD1/<br>MOS11<br>/SDA1<br>CTS4/<br>RTS4/<br>SS4 | SDA0                  | -      | -       | -                  | -       | - | - | -    | SEG5 | TS19 |
| M13        | 3      | J10  | 3       | F6       | 3       | 3             | -  | -         | -        | IRQ4         | P402   | -    | AGTIO0/<br>AGTIO1 | -       | -                        | RTCIC0   | CRX0 | RXD1/<br>MISO1<br>/SCL1 | -  | -                     | -      | -       | -                  | -       | - | - | -    | SEG6 | TS18 |
| K11        | 4      | J11  | 4       | H10      | -       | -             | -  | -         | -        | -            | P403   | -    | AGTIO0/<br>AGTIO1 | -       | GTIOC3A                  | RTCIC1   | -    | CTS1_<br>RTS1/<br>SS1   | -  | -                     | -      | -       | SSIBCK0            | -       | - | - | -    | -    | TS17 |
| L12        | 5      | H9   | 5       | G8       | -       | -             | -  | -         | -        | -            | P404   | -    | -                 | -       | GTIOC3B                  | RTCIC2   | -    | -                       | -  | -                     | -      | -       | SSLRCK0<br>/SSIFS0 | -       | - | - | -    | -    | -    |
| L13        | 6      | H10  | 6       | H9       | -       | -             | -  | -         | -        | -            | P405   | -    | -                 | -       | GTIOC1A                  | -        | -    | -                       | -  | -                     | -      | -       | SSITXD0            | -       | - | - | -    | -    | -    |
| J10        | 7      | H11  | 7       | F7       | -       | -             | -  | -         | -        | -            | P406   | -    | -                 | -       | GTIOC1B                  | -        | -    | -                       | -  | -                     | -      | -       | SSLA3              | SSIRXD0 | - | - | -    | -    | -    |
| H10        | 8      | G6   | -       | -        | -       | -             | -  | -         | -        | -            | P700   | -    | -                 | -       | GTIOC5A                  | -        | -    | -                       | -  | -                     | -      | -       | MISOA              | -       | - | - | -    | -    | -    |
| K12        | 9      | G7   | -       | -        | -       | -             | -  | -         | -        | -            | P701   | -    | -                 | -       | GTIOC5B                  | -        | -    | -                       | -  | -                     | -      | -       | MOSIA              | -       | - | - | -    | -    | -    |
| K13        | 10     | G8   | -       | -        | -       | -             | -  | -         | -        | -            | P702   | -    | -                 | -       | GTIOC6A                  | -        | -    | -                       | -  | -                     | -      | -       | RSPCKA             | -       | - | - | -    | -    | -    |
| J11        | 11     | -    | -       | -        | -       | -             | -  | -         | -        | -            | P703   | -    | -                 | -       | GTIOC6B                  | -        | -    | -                       | -  | -                     | -      | -       | SSLA0              | -       | - | - | VCOU | -    | -    |
| H11        | 12     | -    | -       | -        | -       | -             | -  | -         | -        | -            | P704   | -    | AGT00             | -       | -                        | -        | -    | -                       | -  | -                     | -      | -       | SSLA1              | -       | - | - | -    | -    | -    |
| G11        | 13     | -    | -       | -        | -       | -             | -  | -         | -        | -            | P705   | -    | AGTIO0            | -       | -                        | -        | -    | -                       | -  | -                     | -      | -       | SSLA2              | -       | - | - | -    | -    | -    |
| J12        | 14     | G10  | 8       | G9       | 4       | 4             | -  | -         | -        | -            | -      | -    | -                 | -       | -                        | -        | -    | -                       | -  | -                     | -      | -       | -                  | -       | - | - | -    | -    | -    |
| J13        | 15     | G11  | 9       | G10      | 5       | 5             | -  | -         | -        | -            | -      | -    | -                 | -       | -                        | -        | -    | -                       | -  | -                     | -      | -       | -                  | -       | - | - | -    | -    | -    |
| H13        | 16     | F11  | 10      | F10      | 6       | 6             | -  | -         | -        | -            | P215   | -    | -                 | -       | -                        | -        | -    | -                       | -  | -                     | -      | -       | -                  | -       | - | - | -    | -    | -    |
| H12        | 17     | F10  | 11      | F9       | 7       | 7             | -  | -         | -        | -            | P214   | -    | -                 | -       | -                        | -        | -    | -                       | -  | -                     | -      | -       | -                  | -       | - | - | -    | -    | -    |
| F12        | 18     | G9   | 12      | D9       | 8       | 8             | -  | -         | -        | -            | -      | -    | -                 | -       | -                        | -        | -    | -                       | -  | -                     | -      | -       | -                  | -       | - | - | -    | -    | -    |
| G12        | 19     | E10  | 13      | E9       | 9       | 9             | -  | -         | -        | -            | IRQ2   | P213 | -                 | GTETRGA | GTIOC0A                  | -        | -    | -                       | TXD1/<br>MOS11<br>/SDA1                          | -                     | -      | -       | -                  | -       | - | - | -    | -    | -    |
| G13        | 20     | E11  | 14      | E10      | 10      | 10            | -  | -         | -        | -            | IRQ3   | P212 | -                 | AGTEE1  | GTETRGA                  | GTIOC0B  | -    | -                       | RXD1/<br>MISO1<br>/SCL1                          | -                     | -      | -       | -                  | -       | - | - | -    | -    | -    |
| F13        | 21     | F9   | 15      | D10      | 11      | 11            | -  | -         | -        | -            | -      | -    | -                 | -       | -                        | -        | -    | -                       | -  | -                     | -      | -       | -                  | -       | - | - | -    | -    | -    |
| G10        | 22     | -    | -       | -        | -       | -             | -  | -         | -        | -            | P713   | -    | AGTOA0            | -       | GTIOC2A                  | -        | -    | -                       | -  | -                     | -      | -       | -                  | -       | - | - | -    | -    | -    |
| F11        | 23     | -    | -       | -        | -       | -             | -  | -         | -        | -            | P712   | -    | AGTOB0            | -       | GTIOC2B                  | -        | -    | -                       | -  | -                     | -      | -       | -                  | -       | - | - | -    | -    | -    |
| E13        | 24     | -    | -       | -        | -       | -             | -  | -         | -        | -            | P711   | -    | AGTEE0            | -       | -                        | -        | -    | -                       | CTS1_<br>RTS1/<br>SS1                            | -                     | -      | -       | -                  | -       | - | - | -    | -    | -    |
| E12        | 25     | F8   | -       | -        | -       | -             | -  | -         | -        | -            | P710   | A17  | -                 | -       | -                        | -        | -    | -                       | SCK1   | -                     | -      | -       | -                  | -       | - | - | -    | -    | -    |
| F10        | 26     | F7   | -       | -        | -       | -             | -  | -         | -        | -            | IRQ10  | P709 | -                 | -       | -                        | -        | -    | -                       | TXD1/<br>MOS11<br>/SDA1                          | -                     | -      | -       | -                  | -       | - | - | -    | -    | -    |
| D13        | 27     | E9   | 16      | F8       | -       | -             | -  | -         | -        | -            | IRQ11  | P708 | -                 | -       | -                        | -        | -    | -                       | RXD1/<br>MISO1<br>/SCL1                          | -                     | -      | -       | SSLA3              | -       | - | - | -    | -    | -    |
| E11        | 28     | D10  | 17      | E8       | -       | -             | -  | -         | -        | -            | IRQ8   | P415 | -                 | -       | -                        | GTIOC0A  | -    | -                       | -  | -                     | -      | -       | -                  | SD0CD   | - | - | -    | -    | -    |
| D12        | 29     | D11  | 18      | E7       | -       | -             | -  | -         | -        | -            | IRQ9   | P414 | -                 | -       | -                        | GTIOC0B  | -    | -                       | -  | -                     | -      | -       | -                  | SD0WP   | - | - | -    | -    | -    |
| E10        | 30     | E8   | 19      | C9       | -       | -             | -  | -         | -        | -            | P413   | -    | -                 | -       | GTOUUP                   | -        | -    | -                       | -  | CTS0_<br>RTS0/<br>SS0 | -      | -       | -                  | SD0CLK  | - | - | -    | -    | -    |
| C13        | 31     | D9   | 20      | C10      | -       | -             | -  | -         | -        | -            | P412   | -    | -                 | -       | GTOULO                   | -        | -    | -                       | -  | SCK0                  | -      | -       | -                  | RSPCKA  | - | - | -    | -    | -    |

| Pin number |        |         |        |         |        |        | Power, System, Clock, Debug, CAC, VBATT | Interrupt | I/O port | External bus | Timers |        |               |         | Communication interfaces |            |  |  |          |        | Analog  |         | HMI          |            |       |      |       |       |
|------------|--------|---------|--------|---------|--------|--------|---|-----------|----------|--------------|--------|--------|---------------|---------|--------------------------|------------|--|--|----------|--------|---------|---------|--------------|------------|-------|------|-------|-------|
|            | LGA145 | LQFP144 | BGA121 | LQFP100 | LGA100 | LQFP64 |   |           |          |              | QFN64  | AGT    | GPT_OPS, POEG | GPT     | RTC                      | USBF5, CAN | SCI  | IIC  | SPI/QSPI | SSIE   | SDHI    | ADC14   | DAC12, OPAMP | ACMPLP     | SLCDC | CTSU |       |       |
| D11        | 32     | C11     | 21     | D8      | 12     | 12     |   | IRQ4      | P411     |              | AGTOA1 | GTOVUP | GTIOC9A       |         |                          |            | TXD0/<br>MOSI0<br>/SDA0<br>CTS3/<br>RTS3/<br>SS3 |  | MOSIA    |        | SD0DAT0 |         |              |            |       |      | SEG7  | TS7   |
| C12        | 33     | C10     | 22     | E6      | 13     | 13     |   | IRQ5      | P410     |              | AGTOB1 | GTOVLO | GTIOC9B       |         |                          |            | SCK3<br>RXD0/<br>MISO0<br>/SCL0                  |  | MISOA    |        | SD0DAT1 |         |              |            |       |      | SEG8  | TS6   |
| B13        | 34     | C9      | 23     | B10     | 14     | 14     |   | IRQ6      | P409     |              |        | GTOVUP | GTIOC5A       |         |                          |            | USB<br>EXIC<br>EN                                | TXD3/<br>MOSI3<br>/SDA3                          |          |        |         |         |              |            |       |      | SEG9  | TS5   |
| D10        | 35     | B11     | 24     | D7      | 15     | 15     |   | IRQ7      | P408     |              |        | GTOVLO | GTIOC5B       |         |                          |            | USB<br>ID  | CTS1/<br>RTS1/<br>SS1<br>RXD3/<br>MISO3<br>/SCL3 | SCL0     |        |         |         |              |            |       |      | SEG10 | TS4   |
| A13        | 36     | A11     | 25     | A10     | 16     | 16     |   |           | P407     |              | AGTIO0 |        |               | RTCCOUT |                          |            | USB<br>VBUS                                      | CTS4/<br>RTS4/<br>SS4                            | SDA0     | SSLB3  |         |         | ADTR<br>G0   |            |       |      | SEG11 | TS3   |
| B11        | 37     | B9      | 26     | B8      | 17     | 17     | VSS_USB                                 |           |          |              |        |        |               |         |                          |            |  |  |          |        |         |         |              |            |       |      |       |       |
| A12        | 38     | A10     | 27     | A9      | 18     | 18     |   |           | P915     |              |        |        |               |         |                          |            | USB<br>DM  |  |          |        |         |         |              |            |       |      |       |       |
| B12        | 39     | B10     | 28     | B9      | 19     | 19     |   |           | P914     |              |        |        |               |         |                          |            | USB<br>DP  |  |          |        |         |         |              |            |       |      |       |       |
| A11        | 40     | A9      | 29     | A8      | 20     | 20     | VCC_USB                                 |           |          |              |        |        |               |         |                          |            |  |  |          |        |         |         |              |            |       |      |       |       |
| C11        | 41     | B8      | 30     | C8      | 21     | 21     | VCC_USB<br>_LDO                         |           |          |              |        |        |               |         |                          |            |  |  |          |        |         |         |              |            |       |      |       |       |
| B10        | 42     | C8      | 31     | C7      | 22     | 22     |   | IRQ0      | P206     | WAI<br>T     |        | GTIU   |               |         |                          |            | USB<br>VBUS<br>EN                                | RXD4/<br>MISO4<br>/SCL4                          | SDA1     | SSLB1  |         | SD0DAT2 |              |            |       |      | SEG12 | TS1   |
| A10        | 43     | A8      | 32     | A7      | 23     | 23     | CLKOUT                                  | IRQ1      | P205     | A16          | AGTO1  | GTIV   | GTIOC4A       |         |                          |            | USB<br>OVR<br>CUR<br>A                           | TXD4/<br>MOSI4<br>/SDA4<br>CTS9/<br>RTS9/<br>SS9 | SCL1     | SSLB0  |         | SD0DAT3 |              |            |       |      | SEG20 | TSCAP |
| C10        | 44     | D8      | 33     | B7      | 24     | 24     | CACREF                                  |           | P204     | A18          | AGTIO1 | GTIW   | GTIOC4B       |         |                          |            | USB<br>OVR<br>CUR<br>B                           | SCK4<br>SCK9                                     | SCL0     | RSPCKB |         | SD0DAT4 |              |            |       |      | SEG23 | TS0   |
| A9         | 45     | A7      | 34     | D6      |        |        |   | IRQ2      | P203     | A19          |        |        | GTIOC5A       |         |                          |            |  | CTS2/<br>RTS2/<br>SS2<br>TXD9/<br>MOSI9<br>/SDA9 |          | MOSIB  |         | SD0DAT5 |              |            |       |      | SEG22 | TSCAP |
| C9         | 46     | B7      | 35     | C6      |        |        |   | IRQ3      | P202     | WR1<br>/BC1  |        |        | GTIOC5B       |         |                          |            |  | SCK2<br>RXD9/<br>MISO9<br>/SCL9                  |          | MISOB  |         | SD0DAT6 |              |            |       |      | SEG21 |       |
| B9         | 47     | C7      |        |         |        |        |   |           | P313     | A20          |        |        |               |         |                          |            |  |  |          |        |         | SD0DAT7 |              |            |       |      |       |       |
| D9         | 48     | D7      |        |         |        |        |   |           | P314     | A21          |        |        |               |         |                          |            |  |  |          |        |         |         |              | ADTR<br>G0 |       |      |       |       |
| D8         | 49     | E7      |        |         |        |        |   |           | P315     | A22          |        |        |               |         |                          |            |  | RXD4/<br>MISO4<br>/SCL4                          |          |        |         |         |              |            |       |      |       |       |
| A8         | 50     |         |        |         |        |        |   |           | P900     | A23          |        |        |               |         |                          |            |  | TXD4/<br>MOSI4<br>/SDA4                          |          |        |         |         |              |            |       |      |       |       |
| B8         | 51     |         |        |         |        |        |   |           | P901     |              | AGTIO1 |        |               |         |                          |            |  | SCK4   |          |        |         |         |              |            |       |      |       |       |
| B7         | 52     |         |        |         |        |        |   |           | P902     |              | AGTO1  |        |               |         |                          |            |  | CTS4/<br>RTS4/<br>SS4                            |          |        |         |         |              |            |       |      |       |       |
| A7         | 53     | A6      | 36     | A6      |        |        | VSS                                     |           |          |              |        |        |               |         |                          |            |  |  |          |        |         |         |              |            |       |      |       |       |
| A6         | 54     | B6      | 37     | B6      |        |        | VCC                                     |           |          |              |        |        |               |         |                          |            |  |  |          |        |         |         |              |            |       |      |       |       |
| C7         | 55     | C6      | 38     | D5      | 25     | 25     | RES                                     |           |          |              |        |        |               |         |                          |            |  |  |          |        |         |         |              |            |       |      |       |       |
| B6         | 56     | D6      | 39     | B5      | 26     | 26     | MD                                      |           | P201     |              |        |        |               |         |                          |            |  |  |          |        |         |         |              |            |       |      |       |       |



| Pin number |               | Power, System, Clock, Debug, CAC, VBATT |       |            |       |     |          |      |       |       |              | Interrupt | I/O port | External bus | Timers |        |         |     |       | Communication interfaces |       |     |       |     |       |     | Analog |     |       | HMI |       |     |       |     |       |     |       |     |       |   |   |
|------------|---------------|---|-------|------------|-------|-----|----------|------|-------|-------|--------------|-----------|----------|--------------|--------|--------|---------|-----|-------|--------------------------|-------|-----|-------|-----|-------|-----|--------|-----|-------|-----|-------|-----|-------|-----|-------|-----|-------|-----|-------|---|---|
| Pin        | Label         | Pin                                     | Label | Pin        | Label | Pin | Label    | Pin  | Label | Pin   | Label        | Pin       | Label    | Pin          | Label  | Pin    | Label   | Pin | Label | Pin                      | Label | Pin | Label | Pin | Label | Pin | Label  | Pin | Label | Pin | Label | Pin | Label | Pin | Label | Pin | Label | Pin | Label |   |   |
| AGT        | GPT_OPS, POEG | GPT                                     | RTC   | USBFs, CAN | SCI   | IIC | SPI/QSPI | SSIE | SDHI  | ADC14 | DAC12, OPAMP | ACMPLP    | SLCDC    | CTSU         |        |        |         |     |       |                          |       |     |       |     |       |     |        |     |       |     |       |     |       |     |       |     |       |     |       |   |   |
| C8         | 57            | E6                                      | 40    | A5         | 27    | 27  | -        | -    | -     | NMI   | P200         | -         | -        | -            | -      | -      | -       | -   | -     | -                        | -     | -   | -     | -   | -     | -   | -      | -   | -     | -   | -     | -   | -     | -   | -     | -   | -     | -   | -     |   |   |
| C6         | 58            | -                                       | -     | -          | -     | -   | -        | -    | -     | -     | P312         | CS3       | AGTOA1   | -            | -      | -      | -       | -   | -     | -                        | -     | -   | -     | -   | -     | -   | -      | -   | -     | -   | -     | -   | -     | -   | -     | -   | -     | -   | -     | - |   |
| B5         | 59            | -                                       | -     | -          | -     | -   | -        | -    | -     | -     | P311         | CS2       | AGTOB1   | -            | -      | -      | -       | -   | -     | -                        | -     | -   | -     | -   | -     | -   | -      | -   | -     | -   | -     | -   | -     | -   | -     | -   | -     | -   | -     | - |   |
| D7         | 60            | -                                       | -     | -          | -     | -   | -        | -    | -     | -     | P310         | A15       | AGTEE1   | -            | -      | -      | -       | -   | -     | -                        | -     | -   | -     | -   | -     | -   | -      | -   | -     | -   | -     | -   | -     | -   | -     | -   | -     | -   | -     | - | - |
| A5         | 61            | B5                                      | -     | -          | -     | -   | -        | -    | -     | -     | P309         | A14       | -        | -            | -      | -      | -       | -   | -     | -                        | -     | -   | -     | -   | -     | -   | -      | -   | -     | -   | -     | -   | -     | -   | -     | -   | -     | -   | -     | - |   |
| C5         | 62            | A5                                      | -     | -          | -     | -   | -        | -    | -     | -     | P308         | A13       | -        | -            | -      | -      | -       | -   | -     | -                        | -     | -   | -     | -   | -     | -   | -      | -   | -     | -   | -     | -   | -     | -   | -     | -   | -     | -   | -     | - |   |
| A4         | 63            | C5                                      | 41    | C5         | -     | -   | -        | -    | -     | -     | P307         | A12       | -        | -            | -      | -      | -       | -   | -     | -                        | -     | -   | -     | -   | -     | -   | -      | -   | -     | -   | -     | -   | -     | -   | -     | -   | -     | -   | -     | - |   |
| B4         | 64            | B4                                      | 42    | D4         | -     | -   | -        | -    | -     | -     | P306         | A11       | -        | -            | -      | -      | -       | -   | -     | -                        | -     | -   | -     | -   | -     | -   | -      | -   | -     | -   | -     | -   | -     | -   | -     | -   | -     | -   | -     | - |   |
| D6         | 65            | A4                                      | 43    | A4         | -     | -   | -        | -    | -     | -     | IRQ8         | P305      | A10      | -            | -      | -      | -       | -   | -     | -                        | -     | -   | -     | -   | -     | -   | -      | -   | -     | -   | -     | -   | -     | -   | -     | -   | -     | -   | -     | - |   |
| C4         | 66            | E5                                      | 44    | B4         | 28    | 28  | -        | -    | -     | -     | IRQ9         | P304      | A09      | -            | -      | -      | -       | -   | -     | -                        | -     | -   | -     | -   | -     | -   | -      | -   | -     | -   | -     | -   | -     | -   | -     | -   | -     | -   | -     | - |   |
| A3         | 67            | C4                                      | 45    | C4         | -     | -   | -        | -    | -     | -     | -            | P808      | -        | -            | -      | -      | -       | -   | -     | -                        | -     | -   | -     | -   | -     | -   | -      | -   | -     | -   | -     | -   | -     | -   | -     | -   | -     | -   | -     | - |   |
| B3         | 68            | A3                                      | 46    | A3         | -     | -   | -        | -    | -     | -     | -            | P809      | -        | -            | -      | -      | -       | -   | -     | -                        | -     | -   | -     | -   | -     | -   | -      | -   | -     | -   | -     | -   | -     | -   | -     | -   | -     | -   | -     | - |   |
| D5         | 69            | B3                                      | 47    | B3         | 29    | 29  | -        | -    | -     | -     | -            | P303      | A08      | -            | -      | -      | -       | -   | -     | -                        | -     | -   | -     | -   | -     | -   | -      | -   | -     | -   | -     | -   | -     | -   | -     | -   | -     | -   | -     | - |   |
| A2         | 70            | D5                                      | 48    | B2         | 30    | 30  | -        | -    | -     | -     | -            | IRQ5      | P302     | A07          | -      | -      | -       | -   | -     | -                        | -     | -   | -     | -   | -     | -   | -      | -   | -     | -   | -     | -   | -     | -   | -     | -   | -     | -   | -     | - |   |
| C3         | 71            | A2                                      | 49    | C2         | 31    | 31  | -        | -    | -     | -     | -            | IRQ6      | P301     | A06          | AGTIO0 | GTOULO | GTIOC4B | -   | -     | -                        | -     | -   | -     | -   | -     | -   | -      | -   | -     | -   | -     | -   | -     | -   | -     | -   | -     | -   | -     | - |   |
| B2         | 72            | A1                                      | 50    | A2         | 32    | 32  | -        | -    | -     | -     | -            | P300      | -        | -            | -      | -      | -       | -   | -     | -                        | -     | -   | -     | -   | -     | -   | -      | -   | -     | -   | -     | -   | -     | -   | -     | -   | -     | -   | -     | - |   |
| A1         | 73            | B2                                      | 51    | A1         | 33    | 33  | -        | -    | -     | -     | -            | P108      | -        | -            | -      | -      | -       | -   | -     | -                        | -     | -   | -     | -   | -     | -   | -      | -   | -     | -   | -     | -   | -     | -   | -     | -   | -     | -   | -     | - |   |
| D4         | 74            | B1                                      | 52    | B1         | 34    | 34  | -        | -    | -     | -     | -            | P109      | -        | -            | -      | -      | -       | -   | -     | -                        | -     | -   | -     | -   | -     | -   | -      | -   | -     | -   | -     | -   | -     | -   | -     | -   | -     | -   | -     | - |   |
| B1         | 75            | C3                                      | 53    | C3         | 35    | 35  | -        | -    | -     | -     | -            | IRQ3      | P110     | -            | -      | -      | -       | -   | -     | -                        | -     | -   | -     | -   | -     | -   | -      | -   | -     | -   | -     | -   | -     | -   | -     | -   | -     | -   | -     | - |   |
| C2         | 76            | D3                                      | 54    | D3         | 36    | 36  | -        | -    | -     | -     | -            | IRQ4      | P111     | A05          | -      | -      | -       | -   | -     | -                        | -     | -   | -     | -   | -     | -   | -      | -   | -     | -   | -     | -   | -     | -   | -     | -   | -     | -   | -     | - |   |
| D3         | 77            | C1                                      | 55    | C1         | 37    | 37  | -        | -    | -     | -     | -            | -         | P112     | A04          | -      | -      | -       | -   | -     | -                        | -     | -   | -     | -   | -     | -   | -      | -   | -     | -   | -     | -   | -     | -   | -     | -   | -     | -   | -     | - |   |
| C1         | 78            | C2                                      | 56    | E5         | 38    | 38  | -        | -    | -     | -     | -            | -         | P113     | A03          | -      | -      | -       | -   | -     | -                        | -     | -   | -     | -   | -     | -   | -      | -   | -     | -   | -     | -   | -     | -   | -     | -   | -     | -   | -     | - |   |
| E4         | 79            | D4                                      | 57    | D2         | -     | -   | -        | -    | -     | -     | -            | -         | P114     | A02          | -      | -      | -       | -   | -     | -                        | -     | -   | -     | -   | -     | -   | -      | -   | -     | -   | -     | -   | -     | -   | -     | -   | -     | -   | -     | - |   |
| E3         | 80            | D1                                      | 58    | E4         | -     | -   | -        | -    | -     | -     | -            | -         | P115     | A01          | -      | -      | -       | -   | -     | -                        | -     | -   | -     | -   | -     | -   | -      | -   | -     | -   | -     | -   | -     | -   | -     | -   | -     | -   | -     | - |   |
| D2         | 81            | -                                       | -     | -          | -     | -   | -        | -    | -     | -     | -            | -         | P806     | -            | -      | -      | -       | -   | -     | -                        | -     | -   | -     | -   | -     | -   | -      | -   | -     | -   | -     | -   | -     | -   | -     | -   | -     | -   | -     | - |   |
| D1         | 82            | -                                       | -     | -          | -     | -   | -        | -    | -     | -     | -            | -         | P807     | -            | -      | -      | -       | -   | -     | -                        | -     | -   | -     | -   | -     | -   | -      | -   | -     | -   | -     | -   | -     | -   | -     | -   | -     | -   | -     | - |   |
| F4         | 83            | D2                                      | 59    | D1         | -     | -   | -        | -    | -     | -     | -            | -         | P608     | A00/<br>BC0  | -      | -      | -       | -   | -     | -                        | -     | -   | -     | -   | -     | -   | -      | -   | -     | -   | -     | -   | -     | -   | -     | -   | -     | -   | -     | - |   |
| E2         | 84            | E3                                      | 60    | E3         | -     | -   | -        | -    | -     | -     | -            | -         | P609     | CS1          | -      | -      | -       | -   | -     | -                        | -     | -   | -     | -   | -     | -   | -      | -   | -     | -   | -     | -   | -     | -   | -     | -   | -     | -   | -     | - |   |
| F3         | 85            | E1                                      | 61    | E2         | -     | -   | -        | -    | -     | -     | -            | -         | P610     | CS0          | -      | -      | -       | -   | -     | -                        | -     | -   | -     | -   | -     | -   | -      | -   | -     | -   | -     | -   | -     | -   | -     | -   | -     | -   | -     | - |   |

| Pin number |         |        |         |        |        |       |   |               |          |              |        | Timers        |         |      |   | Communication interfaces |        |          |         |                      | Analog |              |             | HMI   |      |
|------------|---------|--------|---------|--------|--------|-------|---|---------------|----------|--------------|--------|---------------|---------|------|---|--------------------------|--------|----------|---------|----------------------|--------|--------------|-------------|-------|------|
| LGA145     | LQFP144 | BGA121 | LQFP100 | LGA100 | LQFP64 | QFN64 | Power, System, Clock, Debug, CAC, VBATT | Interrupt     | I/O port | External bus | AGT    | GPT_OPS, POEG | GPT     | RTC  | USBFS, CAN                                      | SCI                      | IIC    | SPI/QSPI | SSIE    | SDHI                 | ADC14  | DAC12, OPAMP | ACMPLP      | SLCDC | CTSU |
| E1         | 86      | E4     | -       | -      | -      | -     | -                                       | -             | P611     | -            | -      | -             | -       | -    | -   | -                        | -      | -        | -       | -                    | -      | -            | -           | SEG31 | -    |
| F2         | 87      | F5     | -       | -      | -      | -     | -                                       | -             | P612     | D08          | -      | -             | -       | -    | -   | -                        | -      | -        | -       | -                    | -      | -            | -           | SEG32 | -    |
| F1         | 88      | E2     | -       | -      | -      | -     | -                                       | -             | P613     | D09          | -      | -             | -       | -    | -   | -                        | -      | -        | -       | -                    | -      | -            | -           | SEG33 | -    |
| G3         | 89      | -      | -       | -      | -      | -     | -                                       | -             | P614     | D10          | -      | -             | -       | -    | -   | -                        | -      | -        | -       | -                    | -      | -            | -           | SEG34 | -    |
| G1         | 90      | F1     | 62      | E1     | 39     | 39    | VCC                                     | -             | -        | -            | -      | -             | -       | -    | -   | -                        | -      | -        | -       | -                    | -      | -            | -           | -     | -    |
| G2         | 91      | G1     | 63      | F1     | 40     | 40    | VSS                                     | -             | -        | -            | -      | -             | -       | -    | -   | -                        | -      | -        | -       | -                    | -      | -            | -           | -     | -    |
| H1         | 92      | -      | -       | -      | -      | -     | -                                       | -             | P606     | -            | -      | -             | RTCCOUT | -    | -   | -                        | -      | -        | -       | -                    | -      | -            | -           | SEG35 | -    |
| H2         | 93      | F2     | -       | -      | -      | -     | -                                       | -             | P605     | D11          | -      | GTIOC8A       | -       | -    | -   | -                        | -      | -        | -       | -                    | -      | -            | -           | SEG36 | -    |
| G4         | 94      | F3     | -       | -      | -      | -     | -                                       | -             | P604     | D12          | -      | GTIOC8B       | -       | -    | -   | -                        | -      | -        | -       | -                    | -      | -            | -           | SEG37 | -    |
| H3         | 95      | F4     | 64      | F2     | -      | -     | -                                       | -             | P603     | D13          | -      | GTIOC7A       | -       | -    | CTS9/<br>RTS9/<br>SS9                           | -                        | -      | -        | SD0DAT4 | -                    | -      | -            | -           | SEG38 | -    |
| J1         | 96      | G2     | 65      | F3     | -      | -     | -                                       | -             | P602     | EBC<br>LK    | -      | GTIOC7B       | -       | -    | TXD9/<br>MOS9/<br>SDA9                          | -                        | -      | -        | SD0DAT5 | -                    | -      | -            | -           | SEG39 | -    |
| J2         | 97      | G5     | 66      | F4     | -      | -     | -                                       | -             | P601     | WR/<br>WR0   | -      | GTIOC6A       | -       | -    | RXD9/<br>MISO9/<br>SCL9                         | -                        | -      | -        | SD0DAT6 | -                    | -      | -            | -           | SEG40 | -    |
| H4         | 98      | G4     | 67      | F5     | -      | -     | -                                       | -             | P600     | RD           | -      | GTIOC6B       | -       | -    | SCK9  | -                        | -      | -        | SD0DAT7 | -                    | -      | -            | -           | SEG41 | -    |
| K2         | 99      | -      | -       | -      | -      | -     | -                                       | -             | P805     | -            | -      | GTIOC9A       | -       | -    | -   | -                        | -      | -        | -       | -                    | -      | -            | -           | SEG42 | -    |
| K1         | 100     | -      | -       | -      | -      | -     | -                                       | -             | P804     | -            | -      | GTIOC9B       | -       | -    | -   | -                        | -      | -        | -       | -                    | -      | -            | -           | SEG43 | -    |
| J3         | 101     | H1     | 68      | G3     | 41     | 41    | -                                       | KR07          | P107     | D07          | -      | GTIOC8A       | -       | -    | -   | -                        | -      | -        | -       | -                    | -      | -            | -           | COM3  | -    |
| K3         | 102     | G3     | 69      | G2     | 42     | 42    | -                                       | KR06          | P106     | D06          | -      | GTIOC8B       | -       | -    | -   | -                        | SSLA3  | -        | -       | -                    | -      | -            | -           | COM2  | -    |
| J4         | 103     | H2     | 70      | G1     | 43     | 43    | -                                       | KR05/<br>IRQ0 | P105     | D05          | -      | GTETRG        | GTIOC1A | -    | -   | -                        | SSLA2  | -        | -       | -                    | -      | -            | -           | COM1  | TS34 |
| L3         | 104     | H3     | 71      | H1     | 44     | 44    | -                                       | KR04/<br>IRQ1 | P104     | D04          | -      | GTETRGB       | GTIOC1B | -    | -   | RXD0/<br>MISO0/<br>SCL0  | SSLA1  | -        | -       | -                    | -      | -            | -           | COM0  | TS13 |
| L1         | 105     | J1     | 72      | H3     | 45     | 45    | -                                       | KR03          | P103     | D03          | -      | GTOWUP        | GTIOC2A | CTX0 | CTS0/<br>RTS0/<br>SS0                           | -                        | SSLA0  | -        | -       | AN019                | -      | CMPRE<br>F1  | VL4         | -     |      |
| M1         | 106     | J2     | 73      | J1     | 46     | 46    | -                                       | KR02          | P102     | D02          | AGT00  | GTOWLO        | GTIOC2B | CRX0 | SCK0<br>TXD2/<br>MOSI2<br>SDA2                  | -                        | RSPCKA | -        | -       | AN020/<br>ADTR<br>G0 | -      | CMPIN1       | VL3         | -     |      |
| M2         | 107     | K1     | 74      | H2     | 47     | 47    | -                                       | KR01/<br>IRQ1 | P101     | D01          | AGTEE0 | GTETRGB       | GTIOC5A | -    | TXD0/<br>MOSI0/<br>SDA0<br>CTS1<br>RTS1/<br>SS1 | SDA1                     | MOSIA  | -        | -       | AN021                | -      | CMPRE<br>F0  | VL2         | -     |      |
| N1         | 108     | L1     | 75      | H4     | 48     | 48    | -                                       | KR00/<br>IRQ2 | P100     | D00          | AGTIO0 | GTETRG        | GTIOC5B | -    | RXD0/<br>MISO0/<br>SCL0<br>SCK1                 | SCL1                     | MISOA  | -        | -       | AN022                | -      | CMPIN0       | VL1         | -     |      |
| L2         | 109     | L2     | -       | -      | -      | -     | -                                       | -             | P800     | D14          | -      | -             | -       | -    | -   | -                        | -      | -        | -       | -                    | -      | -            | -           | SEG44 | -    |
| N2         | 110     | K2     | -       | -      | -      | -     | -                                       | -             | P801     | D15          | -      | -             | -       | -    | -   | -                        | -      | -        | -       | -                    | -      | -            | -           | SEG45 | -    |
| N3         | 111     | -      | -       | -      | -      | -     | -                                       | -             | P802     | -            | -      | -             | -       | -    | -   | -                        | -      | -        | -       | -                    | -      | -            | -           | SEG46 | -    |
| M3         | 112     | -      | -       | -      | -      | -     | -                                       | -             | P803     | -            | -      | -             | -       | -    | -   | -                        | -      | -        | -       | -                    | -      | -            | -           | SEG47 | -    |
| K4         | 113     | K3     | 76      | K1     | 49     | 49    | -                                       | -             | P500     | -            | AGTOA0 | GTIU          | GTIOC2A | -    | USB<br>VBUS<br>EN                               | -                        | -      | QSPCLK   | -       | -                    | AN016  | -            | CMPRE<br>F1 | SEG48 | -    |
| M4         | 114     | L3     | 77      | J2     | 50     | 50    | -                                       | IRQ11         | P501     | -            | AGTOB0 | GTIV          | GTIOC2B | -    | USB<br>OVR<br>CUR<br>A                          | TXD3/<br>MOSI3<br>SDA3   | -      | QSSL     | -       | -                    | AN017  | -            | CMPIN1      | SEG49 | -    |
| L4         | 115     | J3     | 78      | K2     | 51     | 51    | -                                       | IRQ12         | P502     | -            | -      | GTIW          | GTIOC3B | -    | USB<br>OVR<br>CUR<br>B                          | RXD3/<br>MISO3<br>SCL3   | -      | QIO0     | -       | -                    | AN018  | -            | CMPRE<br>F0 | SEG50 | -    |

| Pin number |         |        |         |        |        |       |  |           |          |              | Timers |               |         |           | Communication interfaces     |      |      |          |      |      | Analog |              |        | HMI   |      |
|------------|---------|--------|---------|--------|--------|-------|--|-----------|----------|--------------|--------|---------------|---------|-----------|------------------------------|------|------|----------|------|------|--------|--------------|--------|-------|------|
| LGA145     | LQFP144 | BGA121 | LQFP100 | LGA100 | LQFP64 | QFN64 | Power, System, Clock,<br>Debug, CAC, VBATT | Interrupt | I/O port | External bus | AGT    | GPT_OPS, POEG | GPT     | RTC       | USB<br>EXIC<br>EN            | SCI  | IIC  | SPI/QSPI | SSIE | SDHI | ADC14  | DAC12, OPAMP | ACMPLP | SLCDC | CTSU |
| K5         | 116     | J4     | 79      | G4     | -      | -     | -  | -         | P503     | -            | -      | -             | -       | -         | CTS2<br>RTS2/<br>SS2<br>SCK3 | -    | QIO1 | -        | -    | -    | AN023  | -            | CMPIN0 | SEG51 | -    |
| L5         | 117     | H4     | 80      | G5     | -      | -     | -  | -         | P504     | ALE          | -      | -             | -       | USB<br>ID | SCK2<br>CTS3<br>RTS3/<br>SS3 | -    | QIO2 | -        | -    | -    | AN024  | -            | -      | -     | -    |
| K6         | 118     | J5     | 81      | G6     | -      | -     | -  | IRQ14     | P505     | -            | -      | -             | -       | -         | RXD2/<br>MISO2<br>/SCL2      | -    | QIO3 | -        | -    | -    | AN025  | -            | -      | -     | -    |
| L6         | 119     | H5     | -       | -      | -      | -     | -  | IRQ15     | P506     | -            | -      | -             | -       | -         | TXD2/<br>MOSI2<br>/SDA2      | -    | -    | -        | -    | -    | AN026  | -            | -      | -     | -    |
| N4         | 120     | -      | -       | -      | -      | -     | -  | -         | P507     | -            | -      | -             | -       | -         | -                            | -    | -    | -        | -    | -    | AN027  | -            | -      | -     | -    |
| N5         | 121     | L4     | 82      | K3     | -      | -     | VCC  | -         | -        | -            | -      | -             | -       | -         | -                            | -    | -    | -        | -    | -    | -      | -            | -      | -     | -    |
| M5         | 122     | K4     | 83      | J3     | -      | -     | VSS  | -         | -        | -            | -      | -             | -       | -         | -                            | -    | -    | -        | -    | -    | -      | -            | -      | -     | -    |
| M6         | 123     | K5     | 84      | J4     | 52     | 52    | -  | IRQ7      | P015     | -            | -      | -             | -       | -         | -                            | -    | -    | -        | -    | -    | AN010  | -            | -      | -     | TS28 |
| N6         | 124     | L5     | 85      | K4     | 53     | 53    | -  | -         | P014     | -            | -      | -             | -       | -         | -                            | -    | -    | -        | -    | -    | AN009  | DA0          | -      | -     | -    |
| M7         | 125     | K6     | 86      | J5     | 54     | 54    | VREFL                                      | -         | P013     | -            | -      | -             | -       | -         | -                            | -    | -    | -        | -    | -    | AN008  | AMP1+        | -      | -     | -    |
| N7         | 126     | L6     | 87      | K5     | 55     | 55    | VREFH                                      | -         | P012     | -            | -      | -             | -       | -         | -                            | -    | -    | -        | -    | -    | AN007  | AMP1-        | -      | -     | -    |
| L7         | 127     | J6     | 88      | H5     | 56     | 56    | AVCC0                                      | -         | -        | -            | -      | -             | -       | -         | -                            | -    | -    | -        | -    | -    | -      | -            | -      | -     | -    |
| L8         | 128     | J7     | 89      | H6     | 57     | 57    | AVSS0                                      | -         | -        | -            | -      | -             | -       | -         | -                            | -    | -    | -        | -    | -    | -      | -            | -      | -     | -    |
| M8         | 129     | K7     | 90      | J6     | 58     | 58    | VREFL0                                     | IRQ15     | P011     | -            | -      | -             | -       | -         | -                            | -    | -    | -        | -    | -    | AN006  | AMP2+        | -      | -     | TS31 |
| N8         | 130     | L7     | 91      | K6     | 59     | 59    | VREFH0                                     | IRQ14     | P010     | -            | -      | -             | -       | -         | -                            | -    | -    | -        | -    | -    | AN005  | AMP2-        | -      | -     | TS30 |
| M9         | 131     | -      | -       | -      | -      | -     | -  | IRQ13     | P009     | -            | -      | -             | -       | -         | -                            | -    | -    | -        | -    | -    | AN015  | -            | -      | -     | -    |
| N9         | 132     | H6     | 92      | J7     | -      | -     | -  | IRQ12     | P008     | -            | -      | -             | -       | -         | -                            | -    | -    | -        | -    | -    | AN014  | -            | -      | -     | -    |
| K7         | 133     | H7     | 93      | H7     | -      | -     | -  | -         | P007     | -            | -      | -             | -       | -         | -                            | -    | -    | -        | -    | -    | AN013  | AMP30        | -      | -     | -    |
| L9         | 134     | H8     | 94      | G7     | -      | -     | -  | IRQ11     | P006     | -            | -      | -             | -       | -         | -                            | -    | -    | -        | -    | -    | AN012  | AMP3-        | -      | -     | -    |
| K8         | 135     | L8     | 95      | K7     | -      | -     | -  | IRQ10     | P005     | -            | -      | -             | -       | -         | -                            | -    | -    | -        | -    | -    | AN011  | AMP3+        | -      | -     | -    |
| K9         | 136     | J8     | 96      | J8     | 60     | 60    | -  | IRQ3      | P004     | -            | -      | -             | -       | -         | -                            | -    | -    | -        | -    | -    | AN004  | AMP20        | -      | -     | -    |
| K10        | 137     | K8     | 97      | H8     | 61     | 61    | -  | -         | P003     | -            | -      | -             | -       | -         | -                            | -    | -    | -        | -    | -    | AN003  | AMP10        | -      | -     | -    |
| M10        | 138     | J9     | 98      | K8     | 62     | 62    | -  | IRQ2      | P002     | -            | -      | -             | -       | -         | -                            | -    | -    | -        | -    | -    | AN002  | AMP00        | -      | -     | -    |
| N10        | 139     | K9     | 99      | K9     | 63     | 63    | -  | IRQ7      | P001     | -            | -      | -             | -       | -         | -                            | -    | -    | -        | -    | -    | AN001  | AMP0-        | -      | -     | TS22 |
| L10        | 140     | L9     | 100     | K10    | 64     | 64    | -  | IRQ6      | P000     | -            | -      | -             | -       | -         | -                            | -    | -    | -        | -    | -    | AN000  | AMP0+        | -      | -     | TS21 |
| N11        | 141     | -      | -       | -      | -      | -     | VSS  | -         | -        | -            | -      | -             | -       | -         | -                            | -    | -    | -        | -    | -    | -      | -            | -      | -     | -    |
| N12        | 142     | -      | -       | -      | -      | -     | VCC  | -         | -        | -            | -      | -             | -       | -         | -                            | -    | -    | -        | -    | -    | -      | -            | -      | -     | -    |
| M11        | 143     | L10    | -       | -      | -      | -     | -  | IRQ14     | P512     | -            | -      | -             | GTIOC0A | CTX0      | TXD4/<br>MOSI4<br>/SDA4      | SCL2 | -    | -        | -    | -    | -      | -            | -      | -     | -    |
| M12        | 144     | K10    | -       | -      | -      | -     | -  | IRQ15     | P511     | -            | -      | -             | GTIOC0B | CRX0      | RXD4/<br>MISO4<br>/SCL4      | SDA2 | -    | -        | -    | -    | -      | -            | -      | -     | -    |
| E5         | -       | F6     | -       | -      | -      | -     | NC   | -         | -        | -            | -      | -             | -       | -         | -                            | -    | -    | -        | -    | -    | -      | -            | -      | -     | -    |

## 2. Electrical Characteristics

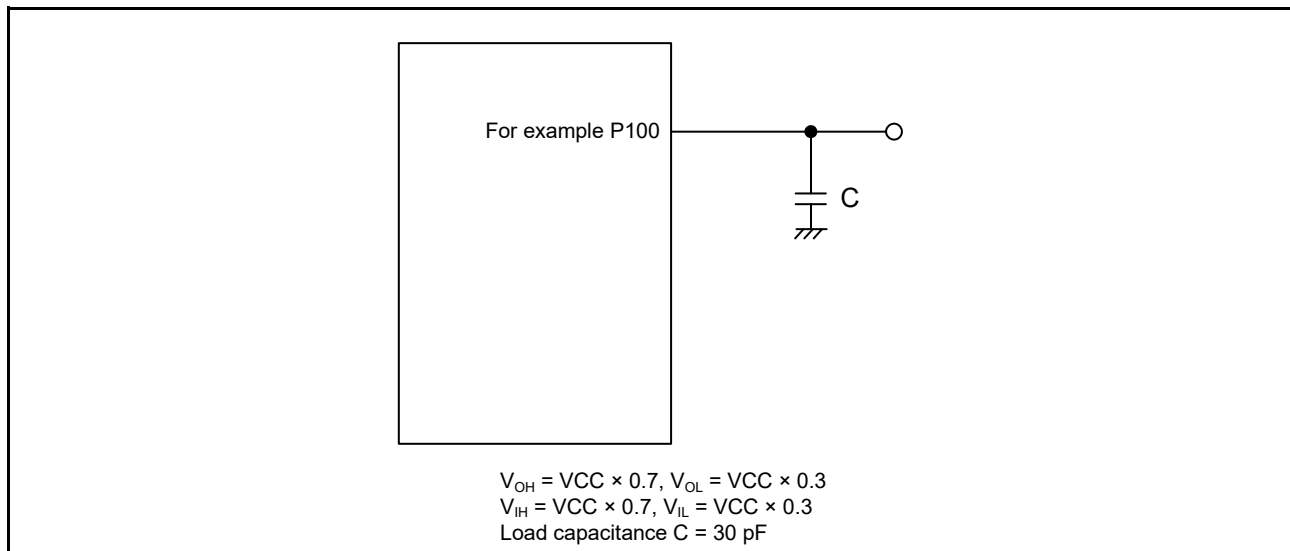
Unless otherwise specified, the electrical characteristics of the MCU are defined under the following conditions:

$VCC^{*1} = AVCC0 = VCC\_USB^{*2} = VCC\_USB\_LDO^{*2} = 1.6$  to  $5.5$  V,  $VREFH = VREFH0 = 1.6$  to  $AVCC0$ ,  $VBATT = 1.6$  to  $3.6$  V,  $VSS = AVSS0 = VREFL = \bar{VREFL0} = VSS\_USB = 0$  V,  $T_a = T_{opr}$

Note 1. The typical condition is set to  $VCC = 3.3$ V.

Note 2. When USBFS is not used.

Figure 2.1 shows the timing conditions.



**Figure 2.1** Input or output timing measurement conditions

The measurement conditions of timing specifications in each peripheral are recommended for the best peripheral operation. However, make sure to adjust driving abilities of each pin to meet your conditions.

Each function pin used for the same function must select the same drive ability. If the I/O drive ability of each function pin is mixed, the AC specification of each function is not guaranteed.

## 2.1 Absolute Maximum Ratings

**Table 2.1 Absolute maximum ratings**

| Parameter                       | Symbol                       | Value        | Unit                |
|---------------------------------|------------------------------|--------------|---------------------|
| Power supply voltage            | VCC                          | -0.5 to +6.5 | V                   |
| Input voltage                   | 5V-tolerant ports*1          | $V_{in}$     | -0.3 to +6.5        |
|                                 | P000 to P015                 | $V_{in}$     | -0.3 to AVCC0 + 0.3 |
|                                 | Others                       | $V_{in}$     | -0.3 to VCC + 0.3   |
| Reference power supply voltage  | VREFH0                       | -0.3 to +6.5 | V                   |
|                                 | VREFH                        |              | V                   |
| VBATT power supply voltage      | VBATT                        | -0.5 to +6.5 | V                   |
| Analog power supply voltage     | AVCC0                        | -0.5 to +6.5 | V                   |
| USB power supply voltage        | VCC_USB                      | -0.5 to +6.5 | V                   |
|                                 | VCC_USB_LDO                  | -0.5 to +6.5 | V                   |
| Analog input voltage            | When AN000 to AN015 are used | $V_{AN}$     | -0.3 to AVCC0 + 0.3 |
|                                 | When AN016 to AN027 are used |              | -0.3 to VCC + 0.3   |
| LCD voltage                     | VL1 voltage                  | $V_{L1}$     | -0.3 to +2.8        |
|                                 | VL2 voltage                  | $V_{L2}$     | -0.3 to +6.5        |
|                                 | VL3 voltage                  | $V_{L3}$     | -0.3 to +6.5        |
|                                 | VL4 voltage                  | $V_{L4}$     | -0.3 to +6.5        |
| Operating temperature*2, *3, *4 | $T_{opr}$                    | -40 to +105  | °C                  |
|                                 |                              | -40 to +85   | °C                  |
| Storage temperature             | $T_{stg}$                    | -55 to +125  | °C                  |

Note 1. Ports P205, P206, P400 to P404, P407, P408, P511, P512 are 5V-tolerant.

Note 2. See [section 2.2.1, Tj/Ta Definition](#).

Note 3. Contact Renesas Electronics sales office for information on derating operation under  $T_a = +85^{\circ}\text{C}$  to  $+105^{\circ}\text{C}$ . Derating is the systematic reduction of load for improved reliability.

Note 4. The upper limit of operating temperature is  $85^{\circ}\text{C}$  or  $105^{\circ}\text{C}$ , depending on the product. For details, see [section 1.3, Part Numbering](#).

**Caution:** Permanent damage to the MCU may result if absolute maximum ratings are exceeded.

To preclude any malfunctions due to noise interference, insert capacitors with high frequency characteristics between the VCC and VSS pins, between the AVCC0 and AVSS0 pins, between the VCC\_USB and VSS\_USB pins, between the VREFH0 and VREFL0 pins, and between the VREFH and VREFL pins. Place capacitors of about 0.1  $\mu\text{F}$  as close as possible to every power supply pin and use the shortest and heaviest possible traces. Also, connect capacitors as stabilization capacitance.

Connect the VCL pin to a VSS pin by a 4.7  $\mu\text{F}$  capacitor. The capacitor must be placed close to the pin.

Do not input signals or an I/O pull-up power supply while the device is not powered. The current injection that results from input of such a signal or I/O pull-up might cause malfunction and the abnormal current that passes in the device at this time might cause degradation of internal elements.

**Table 2.2 Recommended operating conditions**

| Parameter                    | Symbol      | Value   | Min         | Typ | Max   | Unit |
|------------------------------|-------------|---|-------------|-----|-------|------|
| Power supply voltages        | VCC*1, *2   | When USBFS is not used                              | 1.6         | -   | 5.5   | V    |
|                              |             | When USBFS is used<br>USB Regulator Disable         | VCC_USB     | -   | 3.6   | V    |
|                              |             | When USBFS is used<br>USB Regulator Enable          | VCC_USB_LDO | -   | 5.5   | V    |
|                              | VSS         | -   | 0           | -   | V     |      |
| USB power supply voltages    | VCC_USB     | When USBFS is not used                              | -           | VCC | -     | V    |
|                              |             | When USBFS is used<br>USB Regulator Disable (Input) | 3.0         | 3.3 | 3.6   | V    |
|                              | VCC_USB_LDO | When USBFS is not used                              | -           | VCC | -     | V    |
|                              |             | When USBFS is used<br>USB Regulator Disable         | -           | VCC | -     | V    |
|                              |             | When USBFS is used<br>USB Regulator Enable          | 3.8         | -   | 5.5   | V    |
|                              | VSS_USB     | -   | 0           | -   | V     |      |
| VBATT power supply voltage   | VBATT       | When the battery backup function is not used        | -           | VCC | -     | V    |
|                              |             | When the battery backup function is used            | 1.6         | -   | 3.6   | V    |
| Analog power supply voltages | AVCC0*1, *2 |   | 1.6         | -   | 5.5   | V    |
|                              | AVSS0       |   | -           | 0   | -     | V    |
|                              | VREFH0      | When used as<br>ADC14 Reference                     | 1.6         | -   | AVCC0 | V    |
|                              | VREFL0      |   | -           | 0   | -     | V    |
|                              | VREFH       | When used as<br>DAC12 Reference                     | 1.6         | -   | AVCC0 | V    |
|                              | VREFL       |   | -           | 0   | -     | V    |

Note 1. Use AVCC0 and VCC under the following conditions:

AVCC0 and VCC can be set individually within the operating range when  $VCC \geq 2.2\text{ V}$  and  $AVCC0 \geq 2.2\text{ V}$

$AVCC0 = VCC$  when  $VCC < 2.2\text{ V}$  or  $AVCC0 < 2.2\text{ V}$ .

Note 2. When powering on the VCC and AVCC0 pins, power them on at the same time or the VCC pin first and then the AVCC0 pin.

## 2.2 DC Characteristics

### 2.2.1 Tj/Ta Definition

**Table 2.3 DC characteristics**

Conditions: Products with operating temperature ( $T_a$ ) -40 to +105°C

| Parameter                        | Symbol | Typ | Max   | Unit | Test conditions   |
|----------------------------------|--------|-----|-------|------|---|
| Permissible junction temperature | Tj     | -   | 125   | °C   | High-speed mode<br>Middle-speed mode<br>Low-voltage mode<br>Low-speed mode<br>Subosc-speed mode |
|                                  |        |     | 105*1 |      |   |

Note: Make sure that  $T_j = T_a + \theta_{ja} \times \text{total power consumption (W)}$ , where total power consumption =  $(V_{CC} - V_{OH}) \times \Sigma I_{OH} + V_{OL} \times \Sigma I_{OL} + I_{CCmax} \times V_{CC}$ .

Note 1. The upper limit of operating temperature is 85°C or 105°C, depending on the product. For details, see [section 1.3, Part Numbering](#). If the part number shows the operation temperature at 85°C, then the maximum value of Tj is 105°C, otherwise, it is 125°C.

### 2.2.2 I/O $V_{IH}$ , $V_{IL}$

**Table 2.4 I/O  $V_{IH}$ ,  $V_{IL}$  (1)**

Conditions:  $V_{CC} = AV_{CC0} = V_{CC\_USB} = V_{CC\_USB\_LDO} = 2.7$  to  $5.5$  V,  $V_{BATT} = 1.6$  to  $3.6$  V,  $V_{SS} = AV_{SS0} = 0$  V

| Parameter   | Symbol   | Min              | Typ                      | Max                   | Unit                     | Test conditions |                           |
|---|--|------------------|--------------------------|-----------------------|--------------------------|-----------------|---------------------------|
| Schmitt trigger input voltage                           | IIC*1 (except for SMBus)   | $V_{IH}$         | $V_{CC} \times 0.7$      | -                     | 5.8                      | V               | -                         |
|   |  | $V_{IL}$         | -                        | -                     | $V_{CC} \times 0.3$      |                 |                           |
|   |  | $\Delta V_T$     | $V_{CC} \times 0.05$     | -                     | -                        |                 |                           |
|   | RES, NMI<br>Other peripheral input pins<br>excluding IIC                       | $V_{IH}$         | $V_{CC} \times 0.8$      | -                     | -                        |                 |                           |
|   |  | $V_{IL}$         | -                        | -                     | $V_{CC} \times 0.2$      |                 |                           |
|   |  | $\Delta V_T$     | $V_{CC} \times 0.1$      | -                     | -                        |                 |                           |
| Input voltage<br>(except for Schmitt trigger input pin) | IIC (SMBus)*2  | $V_{IH}$         | 2.2                      | -                     | -                        | -               | $V_{CC} = 3.6$ to $5.5$ V |
|   |  | $V_{IH}$         | 2.0                      | -                     | -                        |                 | $V_{CC} = 2.7$ to $3.6$ V |
|   |  | $V_{IL}$         | -                        | -                     | 0.8                      |                 |                           |
|   | 5V-tolerant ports*3  | $V_{IH}$         | $V_{CC} \times 0.8$      | -                     | 5.8                      |                 |                           |
|   |  | $V_{IL}$         | -                        | -                     | $V_{CC} \times 0.2$      |                 |                           |
|   | P914, P915   | $V_{IH}$         | $V_{CC\_USB} \times 0.8$ | -                     | $V_{CC\_USB} + 0.3$      |                 |                           |
|   |  | $V_{IL}$         | -                        | -                     | $V_{CC\_USB} \times 0.2$ |                 |                           |
|   | P000 to P015   | $V_{IH}$         | $AV_{CC0} \times 0.8$    | -                     | -                        |                 |                           |
|   |  | $V_{IL}$         | -                        | -                     | $AV_{CC0} \times 0.2$    |                 |                           |
|   | EXTAL<br>D00 to D15<br>Input ports pins except for<br>P000 to P015, P914, P915 | $V_{IH}$         | $V_{CC} \times 0.8$      | -                     | -                        |                 |                           |
|   |  | $V_{IL}$         | -                        | -                     | $V_{CC} \times 0.2$      |                 |                           |
|   | When $V_{BATT}$<br>power supply is<br>selected                                 | P402, P403, P404 | $V_{IH}$                 | $V_{BATT} \times 0.8$ | -                        |                 | $V_{BATT} + 0.3$          |
| $V_{IL}$  |  |                  | -                        | -                     | $V_{BATT} \times 0.2$    |                 |                           |
| $\Delta V_T$  |  |                  | $V_{BATT} \times 0.05$   | -                     | -                        |                 |                           |

Note 1. P205, P206, P400, P401, P407, P408, P511, P512 (total 8 pins).

Note 2. P100, P101, P204, P205, P206, P400, P401, P407, P408, P511, P512 (total 11 pins).

Note 3. P205, P206, P400 to P404, P407, P408, P511, P512 (total 11 pins).

**Table 2.5 I/O  $V_{IH}$ ,  $V_{IL}$  (2)**Conditions:  $V_{CC} = AV_{CC0} = V_{CC\_USB} = V_{CC\_USB\_LDO} = 1.6$  to  $2.7$  V,  $V_{BATT} = 1.6$  to  $3.6$  V,  $V_{SS} = AV_{SS0} = 0$  V

| Parameter  |  | Symbol           | Min                      | Typ                   | Max                      | Unit | Test conditions |
|--|--|------------------|--------------------------|-----------------------|--------------------------|------|-----------------|
| Schmitt trigger input voltage                        | RES, NMI<br>Peripheral input pins  | $V_{IH}$         | $V_{CC} \times 0.8$      | -                     | -                        | V    | -               |
|  |  | $V_{IL}$         | -                        | -                     | $V_{CC} \times 0.2$      |      |                 |
|  |  | $\Delta V_T$     | $V_{CC} \times 0.01$     | -                     | -                        |      |                 |
| Input voltage (except for Schmitt trigger input pin) | 5V-tolerant ports*1  | $V_{IH}$         | $V_{CC} \times 0.8$      | -                     | 5.8                      |      |                 |
|  |  | $V_{IL}$         | -                        | -                     | $V_{CC} \times 0.2$      |      |                 |
|  | P914, P915   | $V_{IH}$         | $V_{CC\_USB} \times 0.8$ | -                     | $V_{CC\_USB} + 0.3$      |      |                 |
|  |  | $V_{IL}$         | -                        | -                     | $V_{CC\_USB} \times 0.2$ |      |                 |
|  | P000 to P015   | $V_{IH}$         | $AV_{CC0} \times 0.8$    | -                     | -                        |      |                 |
|  |  | $V_{IL}$         | -                        | -                     | $AV_{CC0} \times 0.2$    |      |                 |
|  | EXTAL<br>D00 to D15<br>Input ports pins except for<br>P000 to P015, P914, P915 | $V_{IH}$         | $V_{CC} \times 0.8$      | -                     | -                        |      |                 |
|  |  | $V_{IL}$         | -                        | -                     | $V_{CC} \times 0.2$      |      |                 |
|  | When $V_{BATT}$ power supply is selected                                       | P402, P403, P404 | $V_{IH}$                 | $V_{BATT} \times 0.8$ | -                        |      |                 |
| $V_{IL}$   |  |                  | -                        | -                     | $V_{BATT} \times 0.2$    |      |                 |
| $\Delta V_T$   |  |                  | $V_{BATT} \times 0.01$   | -                     | -                        |      |                 |

Note 1. P205, P206, P400 to P404, P407, P408, P511, P512 (total 11 pins)



2.2.3 I/O  $I_{OH}$ ,  $I_{OL}$ **Table 2.6** I/O  $I_{OH}$ ,  $I_{OL}$  (1 of 2)

Conditions: VCC = AVCC0 = VCC\_USB = VCC\_USB\_LCO = 1.6 to 5.5 V

| Parameter   |   |   | Symbol   | Min | Typ  | Max   | Unit |
|---|---|---|----------|-----|------|-------|------|
| Permissible output current<br>(average value per pin) | Ports P212, P213  | -   | $I_{OH}$ | -   | -    | -4.0  | mA   |
|   |   |   | $I_{OL}$ | -   | -    | 4.0   | mA   |
|   | Port P408   | Low drive*1   | $I_{OH}$ | -   | -    | -4.0  | mA   |
|   |   |   | $I_{OL}$ | -   | -    | 4.0   | mA   |
|   |   | Middle drive for IIC<br>Fast-mode*4<br>VCC = 2.7 to 5.5 V | $I_{OH}$ | -   | -    | -8.0  | mA   |
|   |   |   | $I_{OL}$ | -   | -    | 8.0   | mA   |
|   |   | Middle drive*2<br>VCC = 3.0 to 5.5 V                      | $I_{OH}$ | -   | -    | -20.0 | mA   |
|   |   |   | $I_{OL}$ | -   | -    | 20.0  | mA   |
|   | Port P409   | Low drive*1   | $I_{OH}$ | -   | -    | -4.0  | mA   |
|   |   |   | $I_{OL}$ | -   | -    | 4.0   | mA   |
|   |   | Middle drive*2<br>VCC = 2.7 to 3.0 V                      | $I_{OH}$ | -   | -    | -8.0  | mA   |
|   |   |   | $I_{OL}$ | -   | -    | 8.0   | mA   |
|   |   | Middle drive*2<br>VCC = 3.0 to 5.5 V                      | $I_{OH}$ | -   | -    | -20.0 | mA   |
|   |   |   | $I_{OL}$ | -   | -    | 20.0  | mA   |
|   | Ports P100 to P115,<br>P201 to P204, P300 to P315,<br>P500 to P503, P600 to P606,<br>P608 to P614, P800 to P809,<br>P900 to P902<br>(total 67 pins) | Low drive*1   | $I_{OH}$ | -   | -    | -4.0  | mA   |
|   |   |   | $I_{OL}$ | -   | -    | 4.0   | mA   |
|   |   | Middle drive*2  | $I_{OH}$ | -   | -    | -4.0  | mA   |
|   |   |   | $I_{OL}$ | -   | -    | 8.0   | mA   |
|   | Ports P914, P915  | -   | $I_{OH}$ | -   | -    | -4.0  | mA   |
|   |   |   | $I_{OL}$ | -   | -    | 4.0   | mA   |
| Other output pin*3                                    | Low drive*1   | $I_{OH}$  | -        | -   | -4.0 | mA    |      |
|   |   | $I_{OL}$  | -        | -   | 4.0  | mA    |      |
|   | Middle drive*2  | $I_{OH}$  | -        | -   | -8.0 | mA    |      |
|   |   | $I_{OL}$  | -        | -   | 8.0  | mA    |      |

**Table 2.6 I/O  $I_{OH}$ ,  $I_{OL}$  (2 of 2)**Conditions:  $V_{CC} = AV_{CC0} = V_{CC\_USB} = V_{CC\_USB\_LCO} = 1.6$  to  $5.5$  V

| Parameter  |   |  | Symbol                | Min      | Typ | Max  | Unit  |    |
|--|---|--|-----------------------|----------|-----|------|-------|----|
| Permissible output current<br>(Max value per pin)    | Ports P212, P213  | -  | $I_{OH}$              | -        | -   | -4.0 | mA    |    |
|  |   |  | $I_{OL}$              | -        | -   | 4.0  | mA    |    |
|  | Port P408   | Low drive*1  |                       | $I_{OH}$ | -   | -    | -4.0  | mA |
|  |   |  |                       | $I_{OL}$ | -   | -    | 4.0   | mA |
|  |   | Middle drive for IIC<br>Fast-mode*4<br>$V_{CC} = 2.7$ to $5.5$ V |                       | $I_{OH}$ | -   | -    | -8.0  | mA |
|  |   |  |                       | $I_{OL}$ | -   | -    | 8.0   | mA |
|  |   | Middle drive*2<br>$V_{CC} = 3.0$ to $5.5$ V                      |                       | $I_{OH}$ | -   | -    | -20.0 | mA |
|  |   |  |                       | $I_{OL}$ | -   | -    | 20.0  | mA |
|  | Port P409   | Low drive*1  |                       | $I_{OH}$ | -   | -    | -4.0  | mA |
|  |   |  |                       | $I_{OL}$ | -   | -    | 4.0   | mA |
|  |   | Middle drive*2<br>$V_{CC} = 2.7$ to $3.0$ V                      |                       | $I_{OH}$ | -   | -    | -8.0  | mA |
|  |   |  |                       | $I_{OL}$ | -   | -    | 8.0   | mA |
|  |   | Middle drive*2<br>$V_{CC} = 3.0$ to $5.5$ V                      |                       | $I_{OH}$ | -   | -    | -20.0 | mA |
|  |   |  |                       | $I_{OL}$ | -   | -    | 20.0  | mA |
|  | Ports P100 to P115,<br>P201 to P204, P300 to P315,<br>P500 to P503, P600 to P606,<br>P608 to P614, P800 to P809,<br>P900 to P902<br>(total 67 pins) | Low drive*1  |                       | $I_{OH}$ | -   | -    | -4.0  | mA |
|  |   |  |                       | $I_{OL}$ | -   | -    | 4.0   | mA |
|  |   | Middle drive*2   |                       | $I_{OH}$ | -   | -    | -4.0  | mA |
|  |   |  |                       | $I_{OL}$ | -   | -    | 8.0   | mA |
|  | Ports P914, P915  | -  |                       | $I_{OH}$ | -   | -    | -4.0  | mA |
|  |   |  |                       | $I_{OL}$ | -   | -    | 4.0   | mA |
| Other output pin*3                                   | Low drive*1   |  | $I_{OH}$              | -        | -   | -4.0 | mA    |    |
|  |   |  | $I_{OL}$              | -        | -   | 4.0  | mA    |    |
|  | Middle drive*2  |  | $I_{OH}$              | -        | -   | -8.0 | mA    |    |
|  |   |  | $I_{OL}$              | -        | -   | 8.0  | mA    |    |
| Permissible output current<br>(max value total pins) | Total of ports P000 to P015   |  | $\Sigma I_{OH}(\max)$ | -        | -   | -30  | mA    |    |
|  |   |  | $\Sigma I_{OL}(\max)$ | -        | -   | 30   | mA    |    |
|  | Ports P914, P915  |  | $\Sigma I_{OH}(\max)$ | -        | -   | -4.0 | mA    |    |
|  |   |  | $\Sigma I_{OL}(\min)$ | -        | -   | 4.0  | mA    |    |
|  | Total of all output pin*5   |  | $\Sigma I_{OH}(\max)$ | -        | -   | -60  | mA    |    |
|  |   |  | $\Sigma I_{OL}(\max)$ | -        | -   | 60   | mA    |    |

**Caution:** To protect the reliability of the MCU, the output current values should not exceed the values in this table. The average output current indicates the average value of current measured during 100  $\mu$ s.

Note 1. This is the value when low driving ability is selected with the Port Drive Capability bit in PmnPFS register.

Note 2. This is the value when middle driving ability is selected with the Port Drive Capability bit in PmnPFS register.

Note 3. Except for ports P200, P214, P215, which are input ports.

Note 4. This is the value when middle driving ability for IIC Fast-mode is selected with the Port Drive Capability bit in PmnPFS register.

Note 5. For details on the permissible output current used with CTSU, see [section 2.11, CTSU Characteristics](#).

2.2.4 I/O  $V_{OH}$ ,  $V_{OL}$ , and Other Characteristics**Table 2.7** I/O  $V_{OH}$ ,  $V_{OL}$  (1)Conditions:  $V_{CC} = AV_{CC0} = V_{CC\_USB} = V_{CC\_USB\_LCO} = 4.0$  to  $5.5$  V

| Parameter      |                        | Symbol            | Min                 | Typ              | Max | Unit | Test conditions    |                    |
|----------------|------------------------|-------------------|---------------------|------------------|-----|------|--------------------|--------------------|
| Output voltage | IIC*1                  | $V_{OL}$          | -                   | -                | 0.4 | V    | $I_{OL} = 3.0$ mA  |                    |
|                |                        | $V_{OL}^{*2, *5}$ | -                   | -                | 0.6 |      | $I_{OL} = 6.0$ mA  |                    |
|                | Ports P408, P409*2, *3 | $V_{OH}$          | $V_{CC} - 1.0$      | -                | -   |      | $I_{OH} = -2.0$ mA |                    |
|                |                        | $V_{OL}$          | -                   | -                | 1.0 |      | $I_{OL} = 20$ mA   |                    |
|                | Ports P000 to P015     | Low drive         | $V_{OH}$            | $AV_{CC0} - 0.8$ | -   |      | -                  | $I_{OH} = -2.0$ mA |
|                |                        |                   | $V_{OL}$            | -                | -   |      | 0.8                | $I_{OL} = 2.0$ mA  |
|                |                        | Middle drive      | $V_{OH}$            | $AV_{CC0} - 0.8$ | -   |      | -                  | $I_{OH} = -4.0$ mA |
|                |                        |                   | $V_{OL}$            | -                | -   |      | 0.8                | $I_{OL} = 4.0$ mA  |
|                | Ports P914, P915       | $V_{OH}$          | $V_{CC\_USB} - 0.8$ | -                | -   |      | $I_{OH} = -2.0$ mA |                    |
|                |                        | $V_{OL}$          | -                   | -                | 0.8 |      | $I_{OL} = 2.0$ mA  |                    |
|                | Other output pins*4    | Low drive         | $V_{OH}$            | $V_{CC} - 0.8$   | -   |      | -                  | $I_{OH} = -2.0$ mA |
|                |                        |                   | $V_{OL}$            | -                | -   |      | 0.8                | $I_{OL} = 2.0$ mA  |
|                |                        | Middle drive*6    | $V_{OH}$            | $V_{CC} - 0.8$   | -   |      | -                  | $I_{OH} = -4.0$ mA |
|                |                        |                   | $V_{OL}$            | -                | -   |      | 0.8                | $I_{OL} = 4.0$ mA  |

Note 1. P100, P101, P204, P205, P206, P400, P401, P407, P408, P511, P512 (total 11 pins).

Note 2. This is the value when middle driving ability is selected with the Port Drive Capability bit in PmnPFS register.

Note 3. Based on characterization data, not tested in production.

Note 4. Except for ports P200, P214, P215, which are input ports.

Note 5. This is the value when middle driving ability for IIC is selected with the Port Drive Capability bit in PmnPFS register for P408.

Note 6. Except for P212, P213.

**Table 2.8** I/O  $V_{OH}$ ,  $V_{OL}$  (2)Conditions:  $V_{CC} = AV_{CC0} = V_{CC\_USB} = V_{CC\_USB\_LCO} = 2.7$  to  $4.0$  V

| Parameter      |                        | Symbol            | Min                 | Typ              | Max | Unit | Test conditions                        |                    |
|----------------|------------------------|-------------------|---------------------|------------------|-----|------|--|--------------------|
| Output voltage | IIC*1                  | $V_{OL}$          | -                   | -                | 0.4 | V    | $I_{OL} = 3.0$ mA                      |                    |
|                |                        | $V_{OL}^{*2, *5}$ | -                   | -                | 0.6 |      | $I_{OL} = 6.0$ mA                      |                    |
|                | Ports P408, P409*2, *3 | $V_{OH}$          | $V_{CC} - 1.0$      | -                | -   |      | $I_{OH} = -2.0$ mA<br>$V_{CC} = 3.3$ V |                    |
|                |                        | $V_{OL}$          | -                   | -                | 1.0 |      | $I_{OL} = 20$ mA<br>$V_{CC} = 3.3$ V   |                    |
|                | Ports P000 to P015     | Low drive         | $V_{OH}$            | $AV_{CC0} - 0.5$ | -   |      | -                                      | $I_{OH} = -1.0$ mA |
|                |                        |                   | $V_{OL}$            | -                | -   |      | 0.5                                    | $I_{OL} = 1.0$ mA  |
|                |                        | Middle drive      | $V_{OH}$            | $AV_{CC0} - 0.5$ | -   |      | -                                      | $I_{OH} = -2.0$ mA |
|                |                        |                   | $V_{OL}$            | -                | -   |      | 0.5                                    | $I_{OL} = 2.0$ mA  |
|                | Ports P914, P915       | $V_{OH}$          | $V_{CC\_USB} - 0.5$ | -                | -   |      | $I_{OH} = -1.0$ mA                     |                    |
|                |                        | $V_{OL}$          | -                   | -                | 0.5 |      | $I_{OL} = 1.0$ mA                      |                    |
|                | Other output pins*4    | Low drive         | $V_{OH}$            | $V_{CC} - 0.5$   | -   |      | -                                      | $I_{OH} = -1.0$ mA |
|                |                        |                   | $V_{OL}$            | -                | -   |      | 0.5                                    | $I_{OL} = 1.0$ mA  |
|                |                        | Middle drive*6    | $V_{OH}$            | $V_{CC} - 0.5$   | -   |      | -                                      | $I_{OH} = -2.0$ mA |
|                |                        |                   | $V_{OL}$            | -                | -   |      | 0.5                                    | $I_{OL} = 2.0$ mA  |

Note 1. P100, P101, P204, P205, P206, P400, P401, P407, P408, P511, P512 (total 11 pins).

Note 2. This is the value when middle driving ability is selected with the Port Drive Capability bit in PmnPFS register.

Note 3. Based on characterization data, not tested in production.

Note 4. Except for ports P200, P214, P215, which are input ports.

Note 5. This is the value when middle driving ability for IIC is selected with the Port Drive Capability bit in PmnPFS register for P408.

Note 6. Except for P212, P213.

**Table 2.9 I/O  $V_{OH}$ ,  $V_{OL}$  (3)**Conditions:  $VCC = AVCC0 = VCC\_USB = VCC\_USB\_LCO = 1.6$  to  $2.7$  V

| Parameter      |                     |              | Symbol           | Min           | Typ | Max                | Unit | Test conditions    |
|----------------|---------------------|--------------|------------------|---------------|-----|--------------------|------|--------------------|
| Output voltage | Ports P000 to P015  | Low drive    | $V_{OH}$         | $AVCC0 - 0.3$ | -   | -                  | V    | $I_{OH} = -0.5$ mA |
|                |                     |              | $V_{OL}$         | -             | -   | 0.3                |      | $I_{OL} = 0.5$ mA  |
|                |                     | Middle drive | $V_{OH}$         | $AVCC0 - 0.3$ | -   | -                  |      | $I_{OH} = -1.0$ mA |
|                |                     |              | $V_{OL}$         | -             | -   | 0.3                |      | $I_{OL} = 1.0$ mA  |
|                | Ports P914, P915    | $V_{OH}$     | $VCC\_USB - 0.3$ | -             | -   | $I_{OH} = -0.5$ mA |      |                    |
|                |                     | $V_{OL}$     | -                | -             | 0.3 | $I_{OL} = 0.5$ mA  |      |                    |
|                | Other output pins*1 | Low drive    | $V_{OH}$         | $VCC - 0.3$   | -   | -                  |      | $I_{OH} = -0.5$ mA |
|                |                     |              | $V_{OL}$         | -             | -   | 0.3                |      | $I_{OL} = 0.5$ mA  |
| Middle drive*2 |                     | $V_{OH}$     | $VCC - 0.3$      | -             | -   | $I_{OH} = -1.0$ mA |      |                    |
|                |                     | $V_{OL}$     | -                | -             | 0.3 | $I_{OL} = 1.0$ mA  |      |                    |

Note 1. Except for ports P200, P214, P215, which are input ports.

Note 2. Except for P212, P213.

**Table 2.10 I/O other characteristics**Conditions:  $VCC = AVCC0 = 1.6$  to  $5.5$  V

| Parameter                               |  | Symbol      | Min | Typ | Max | Unit       | Test conditions                                     |
|---|--|-------------|-----|-----|-----|------------|---|
| Input leakage current                   | RES, P200, P214, P215  | $ I_{in} $  | -   | -   | 1.0 | $\mu$ A    | $V_{in} = 0$ V<br>$V_{in} = VCC$                    |
| Three-state leakage current (off state) | 5V-tolerant ports  | $ I_{TSI} $ | -   | -   | 1.0 | $\mu$ A    | $V_{in} = 0$ V<br>$V_{in} = 5.8$ V                  |
|   | Other ports (except for ports P200, P214, P215 and 5 V tolerant) |             | -   | -   | 1.0 |            | $V_{in} = 0$ V<br>$V_{in} = VCC$                    |
| Input pull-up resistor                  | All ports (except for ports P200, P214, P215, P914, P915)        | $R_U$       | 10  | 20  | 50  | k $\Omega$ | $V_{in} = 0$ V                                      |
| Input capacitance                       | P914, P915, P100 to P103, P111, P112, P200                       | $C_{in}$    | -   | -   | 30  | pF         | $V_{in} = 0$ V<br>$f = 1$ MHz<br>$T_a = 25^\circ$ C |
|   | Other input pins   |             | -   | -   | 15  |            |   |

2.2.5 I/O Pin Output Characteristics of Low Drive Capacity

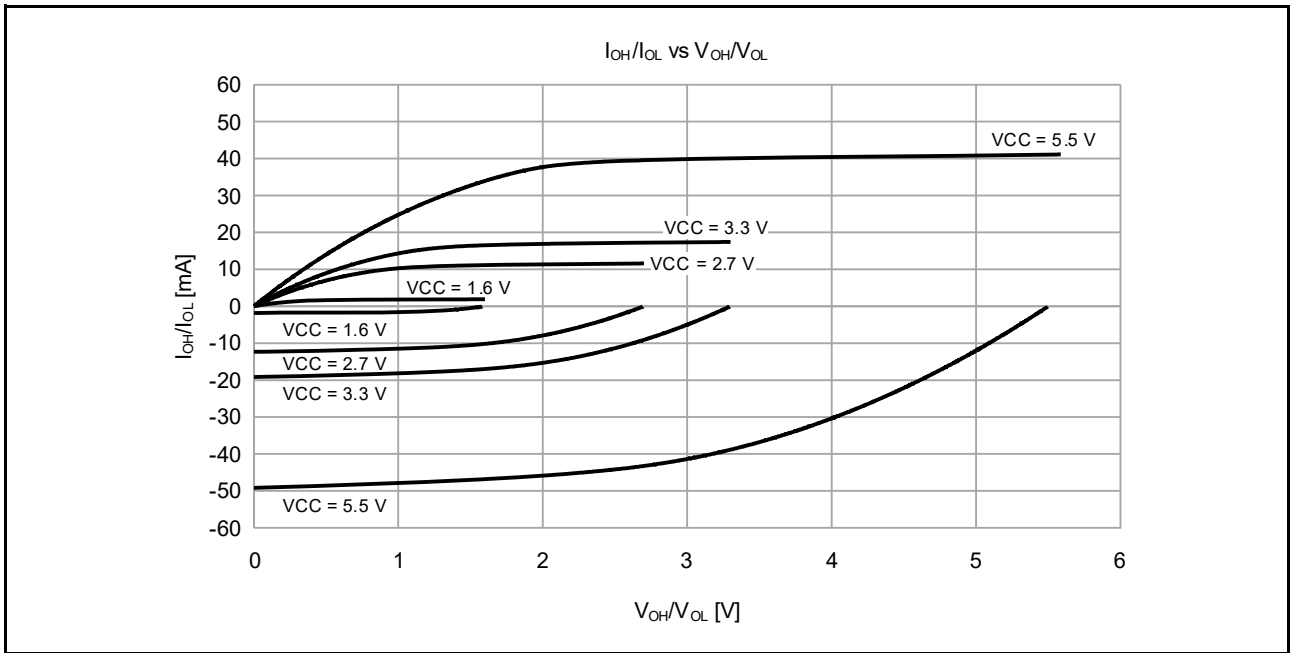


Figure 2.2  $V_{OH}/V_{OL}$  and  $I_{OH}/I_{OL}$  voltage characteristics at  $T_a = 25^\circ\text{C}$  when low drive output is selected (reference data)

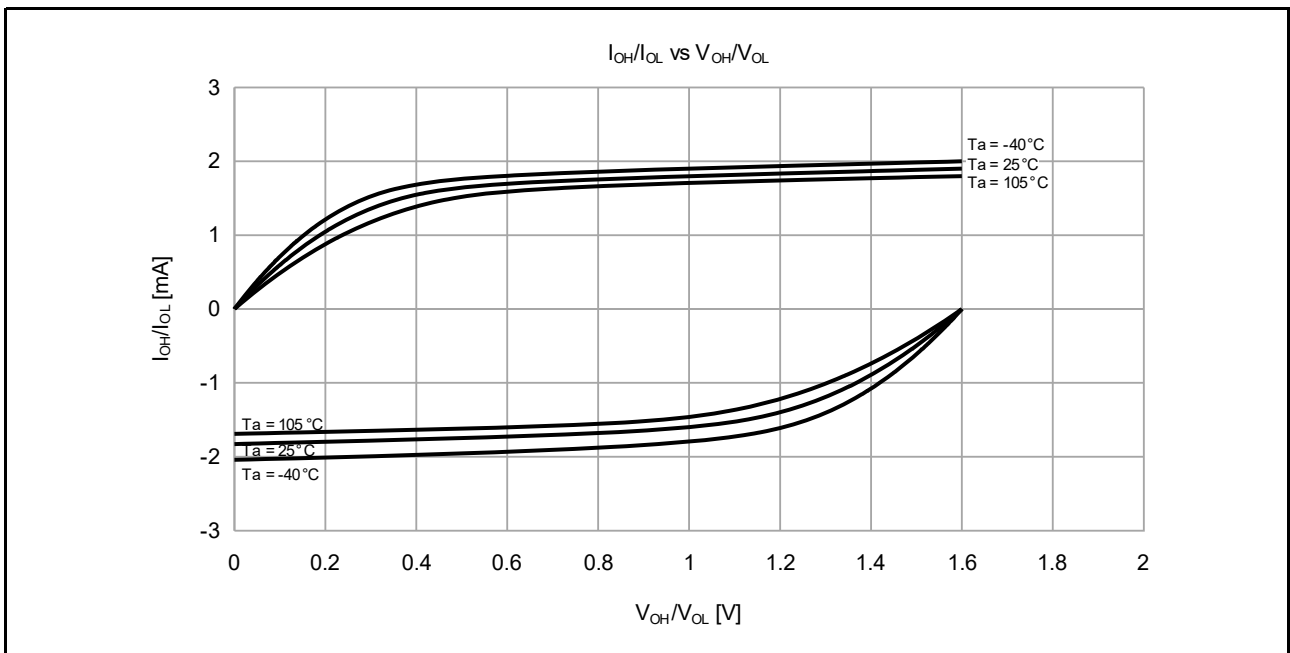


Figure 2.3  $V_{OH}/V_{OL}$  and  $I_{OH}/I_{OL}$  temperature characteristics at  $V_{CC} = 1.6\text{ V}$  when low drive output is selected (reference data)

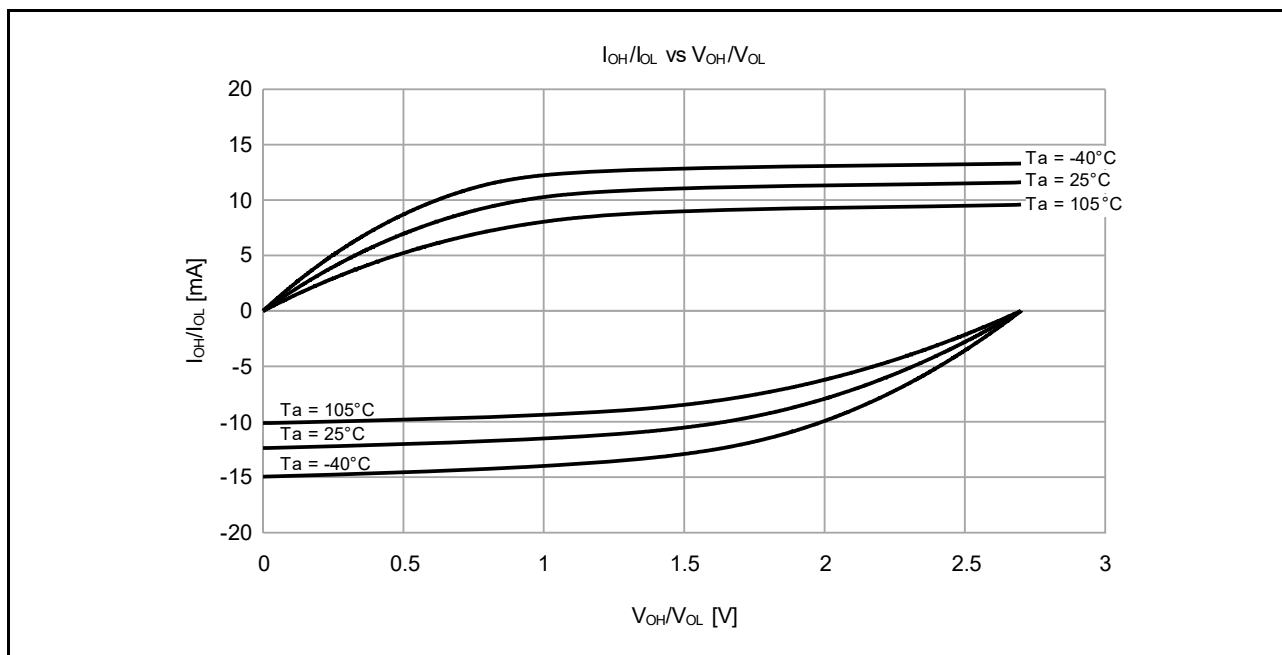


Figure 2.4  $V_{OH}/V_{OL}$  and  $I_{OH}/I_{OL}$  temperature characteristics at  $V_{CC} = 2.7$  V when low drive output is selected (reference data)

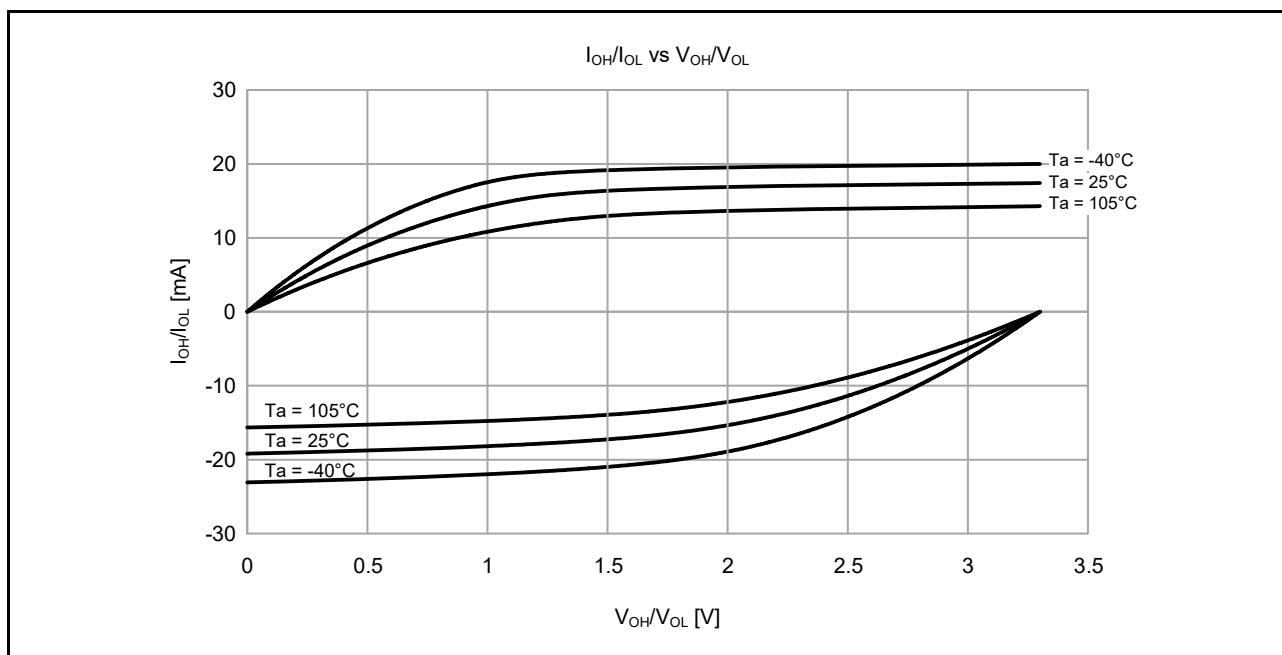


Figure 2.5  $V_{OH}/V_{OL}$  and  $I_{OH}/I_{OL}$  temperature characteristics at  $V_{CC} = 3.3$  V when low drive output is selected (reference data)

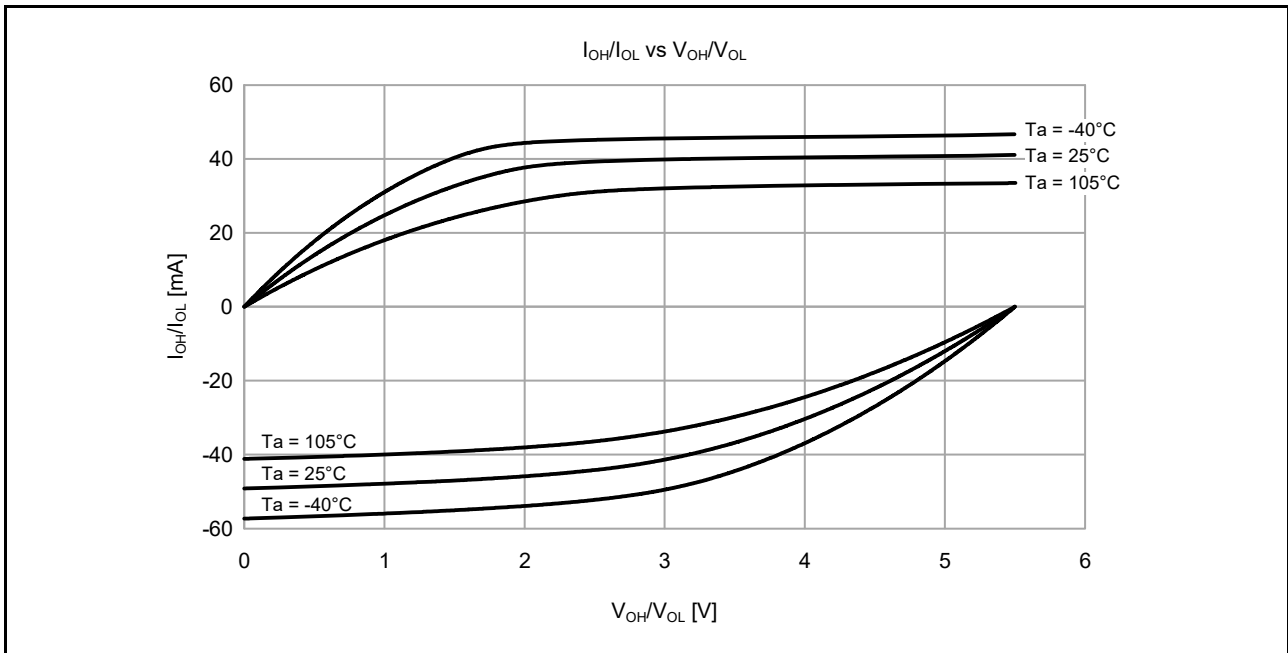


Figure 2.6  $V_{OH}/V_{OL}$  and  $I_{OH}/I_{OL}$  temperature characteristics at  $V_{CC} = 5.5\text{ V}$  when low drive output is selected (reference data)

2.2.6 I/O Pin Output Characteristics of Middle Drive Capacity

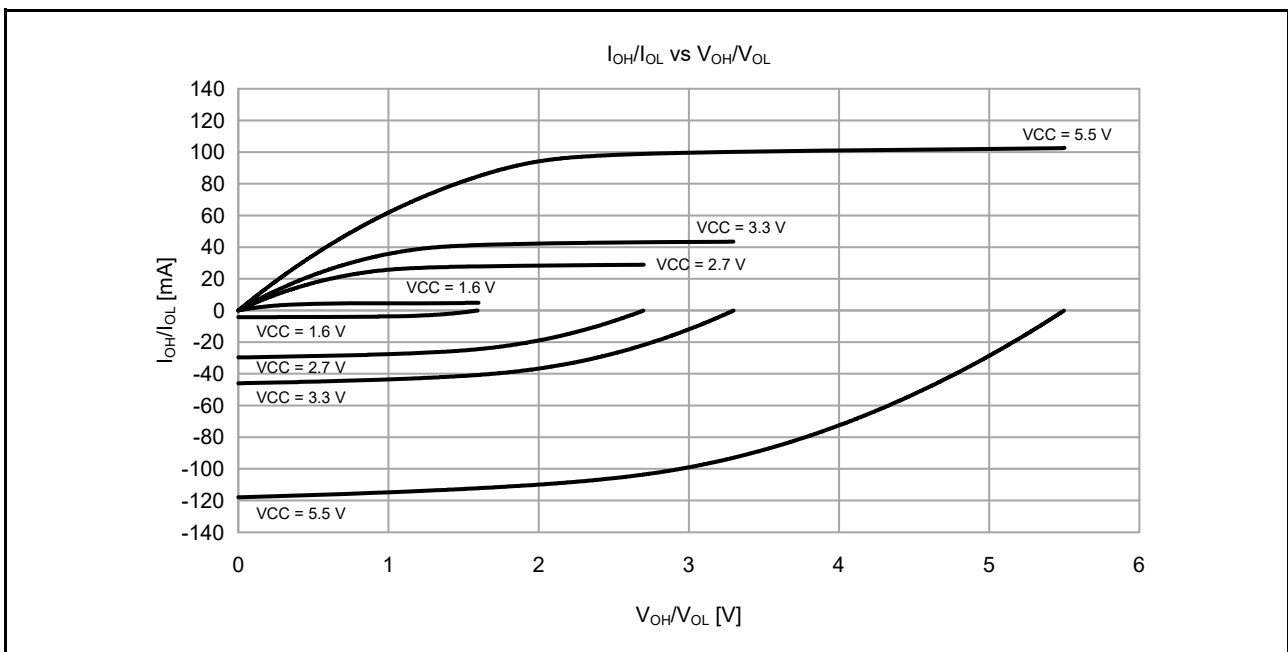


Figure 2.7  $V_{OH}/V_{OL}$  and  $I_{OH}/I_{OL}$  voltage characteristics at  $T_a = 25^\circ\text{C}$  when middle drive output is selected (reference data)

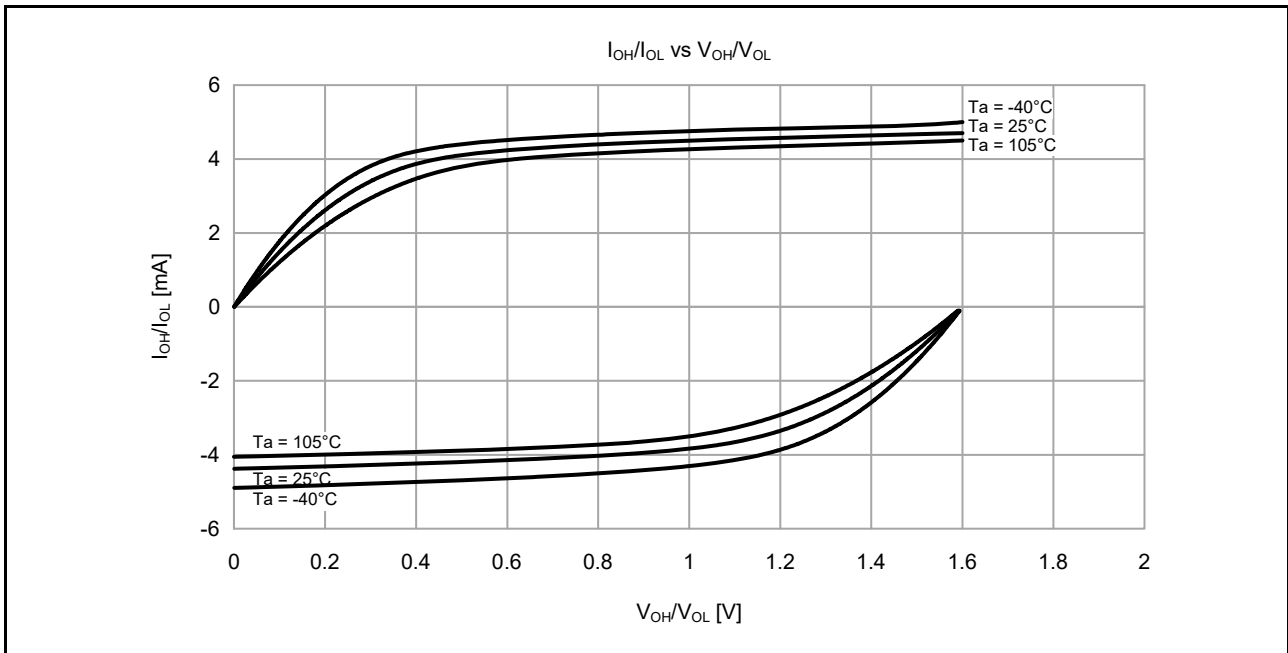


Figure 2.8  $V_{OH}/V_{OL}$  and  $I_{OH}/I_{OL}$  temperature characteristics at  $V_{CC} = 1.6\text{ V}$  when middle drive output is selected (reference data)

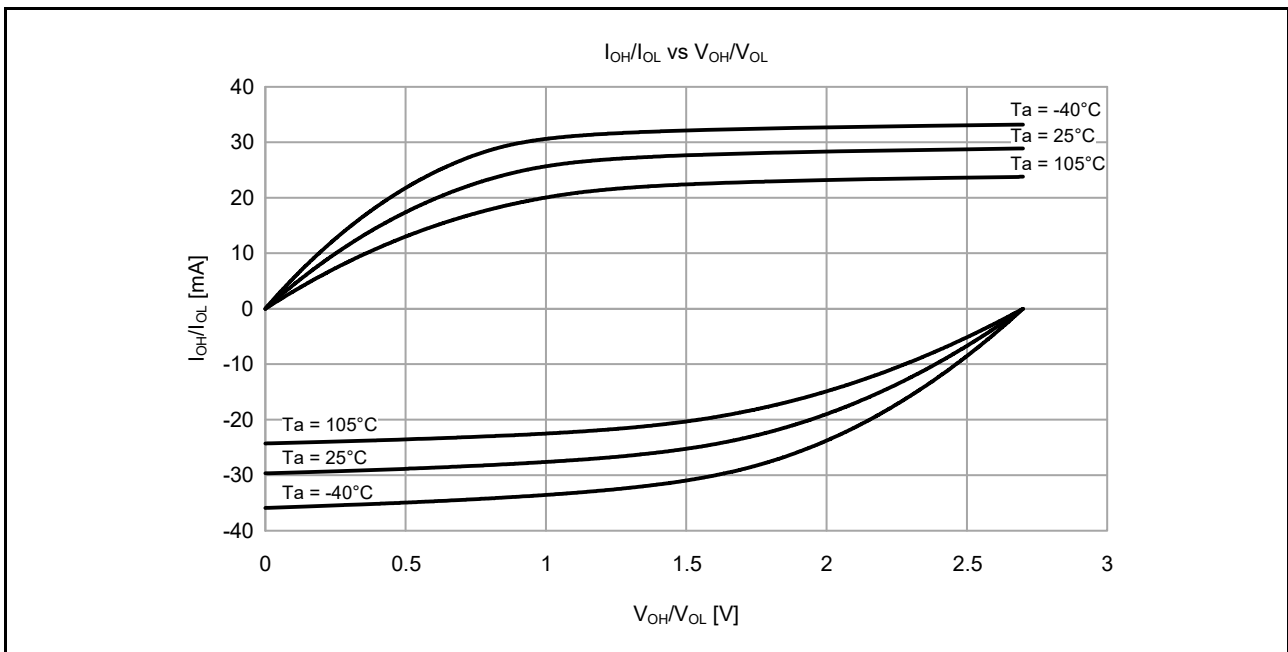


Figure 2.9  $V_{OH}/V_{OL}$  and  $I_{OH}/I_{OL}$  temperature characteristics at  $V_{CC} = 2.7\text{ V}$  when middle drive output is selected (reference data)



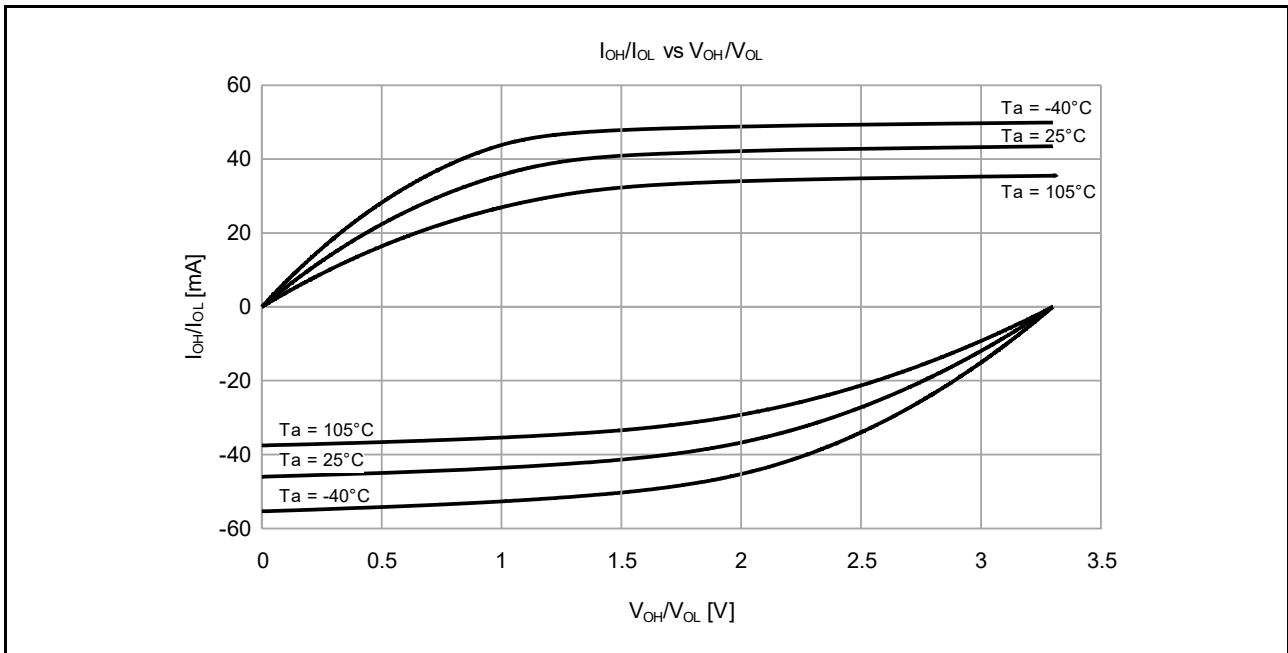


Figure 2.10  $V_{OH}/V_{OL}$  and  $I_{OH}/I_{OL}$  temperature characteristics at  $V_{CC} = 3.3$  V when middle drive output is selected (reference data)

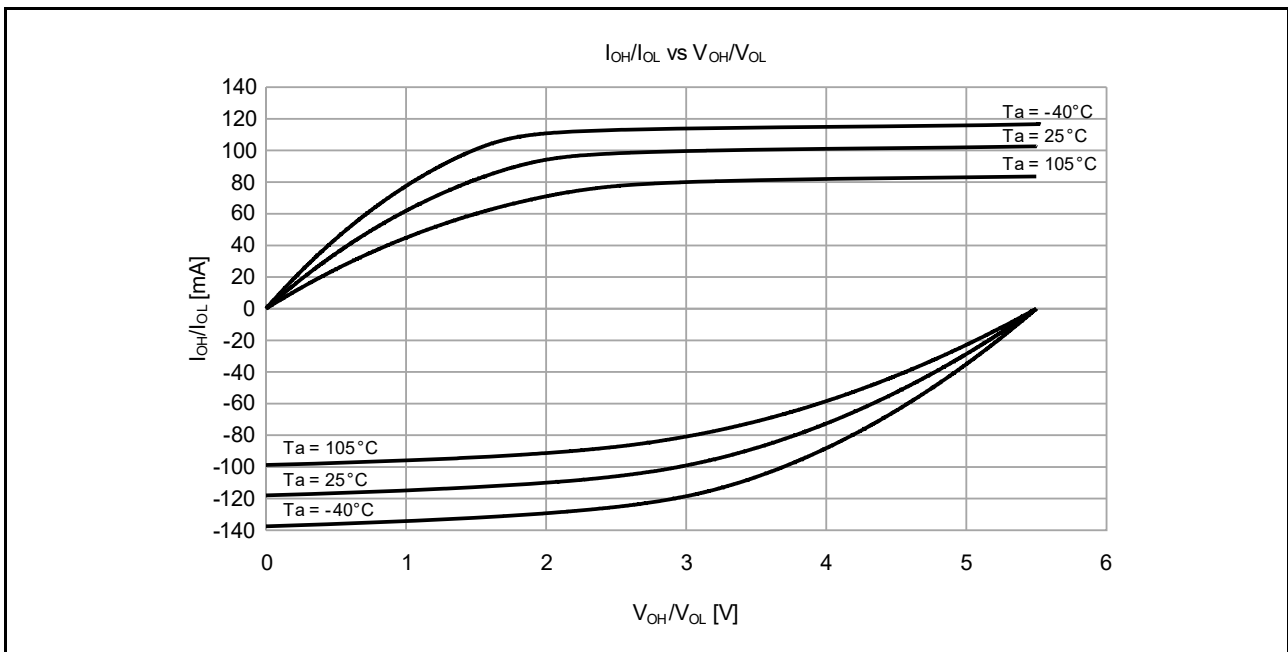


Figure 2.11  $V_{OH}/V_{OL}$  and  $I_{OH}/I_{OL}$  temperature characteristics at  $V_{CC} = 5.5$  V when middle drive output is selected (reference data)

2.2.7 P408, P409 I/O Pin Output Characteristics of Middle Drive Capacity

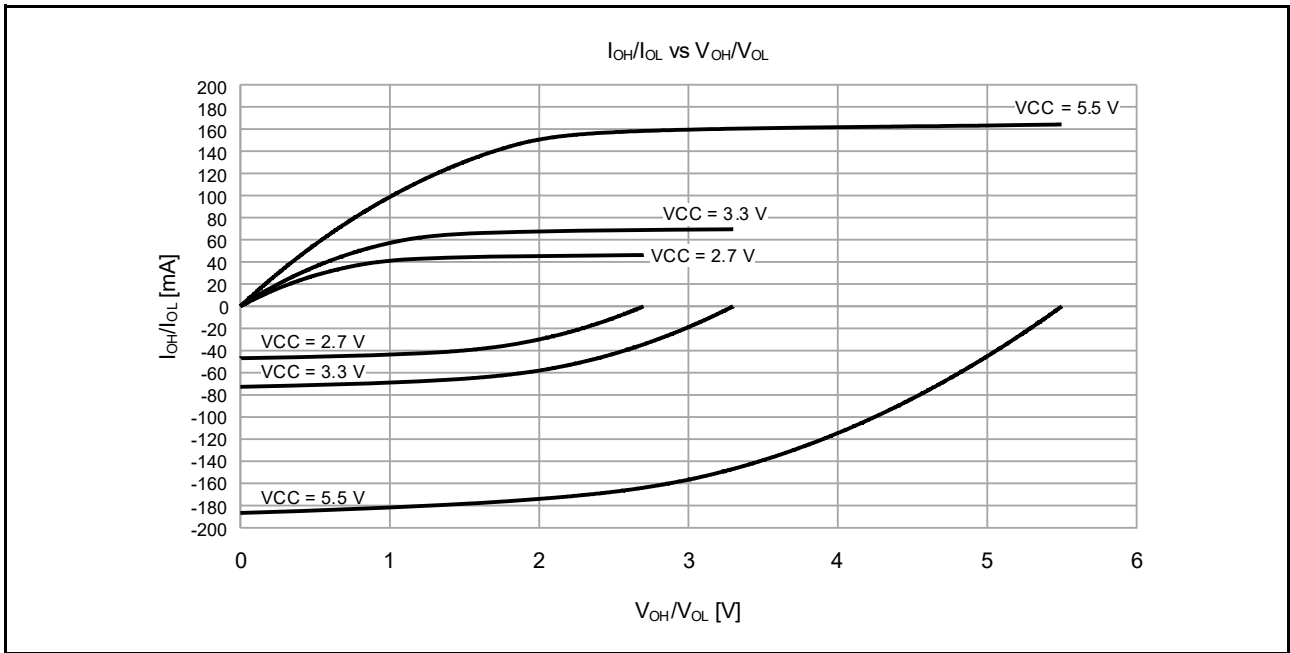


Figure 2.12  $V_{OH}/V_{OL}$  and  $I_{OH}/I_{OL}$  voltage characteristics at  $T_a = 25^\circ\text{C}$  when middle drive output is selected (reference data)

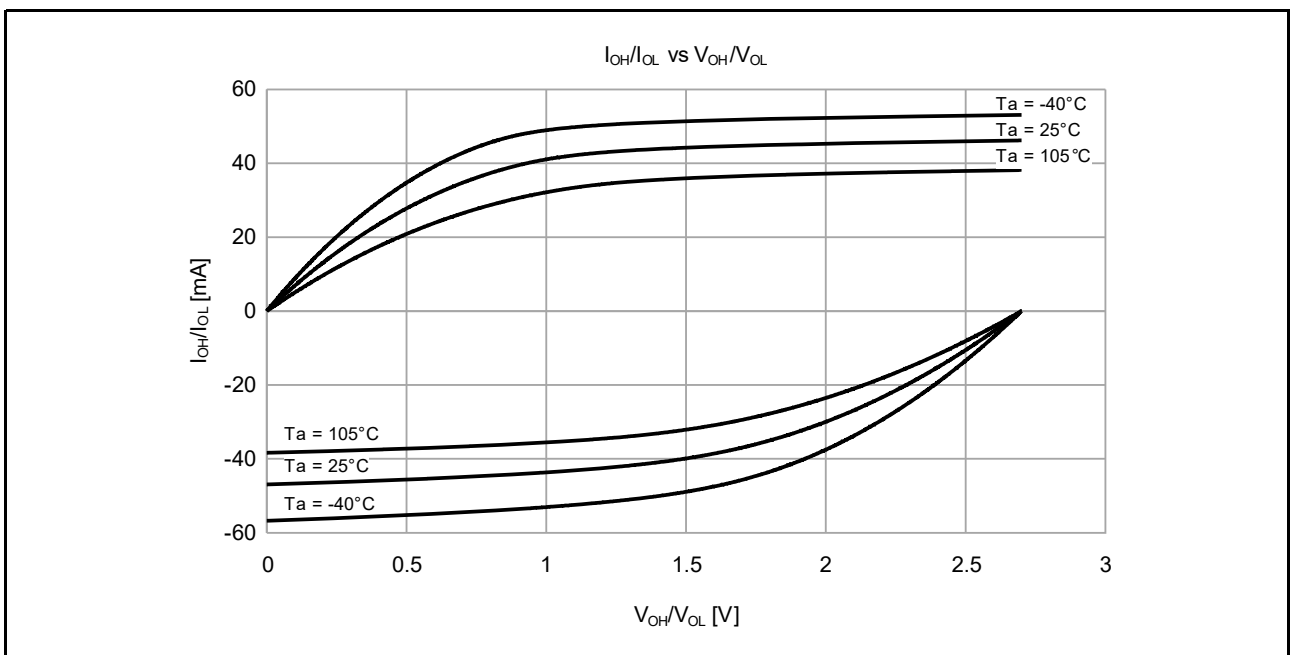


Figure 2.13  $V_{OH}/V_{OL}$  and  $I_{OH}/I_{OL}$  temperature characteristics at  $V_{CC} = 2.7\text{ V}$  when middle drive output is selected (reference data)

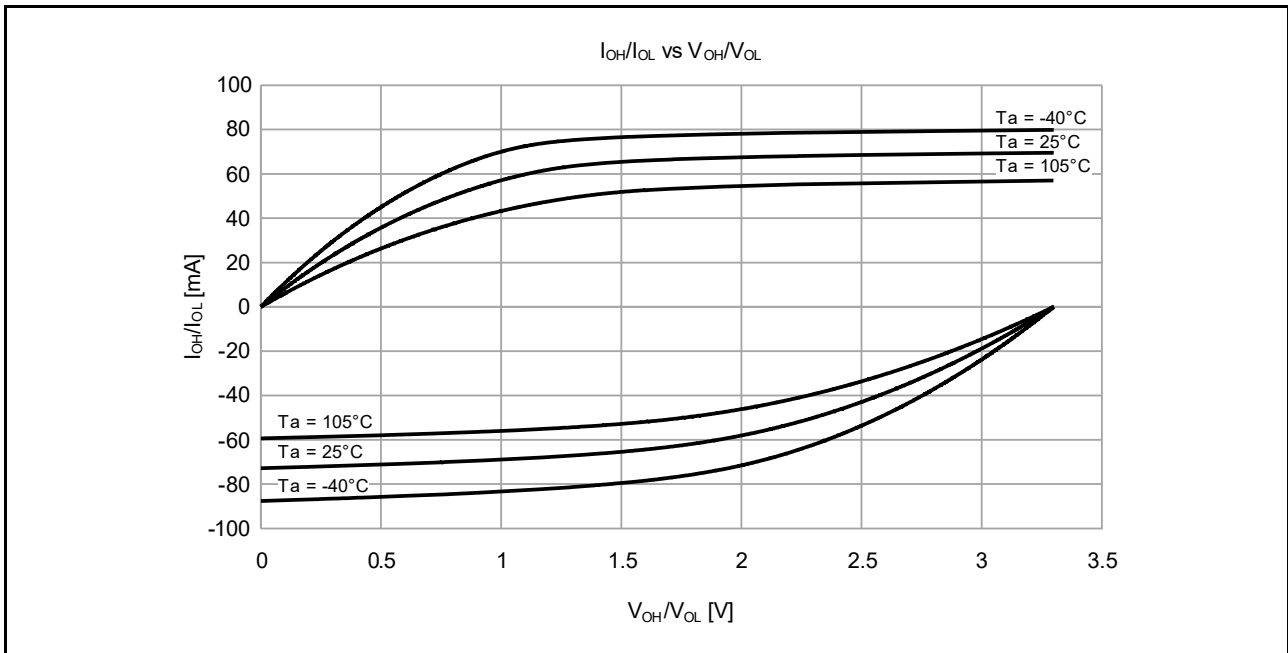


Figure 2.14  $V_{OH}/V_{OL}$  and  $I_{OH}/I_{OL}$  temperature characteristics at  $V_{CC} = 3.3$  V when middle drive output is selected (reference data)

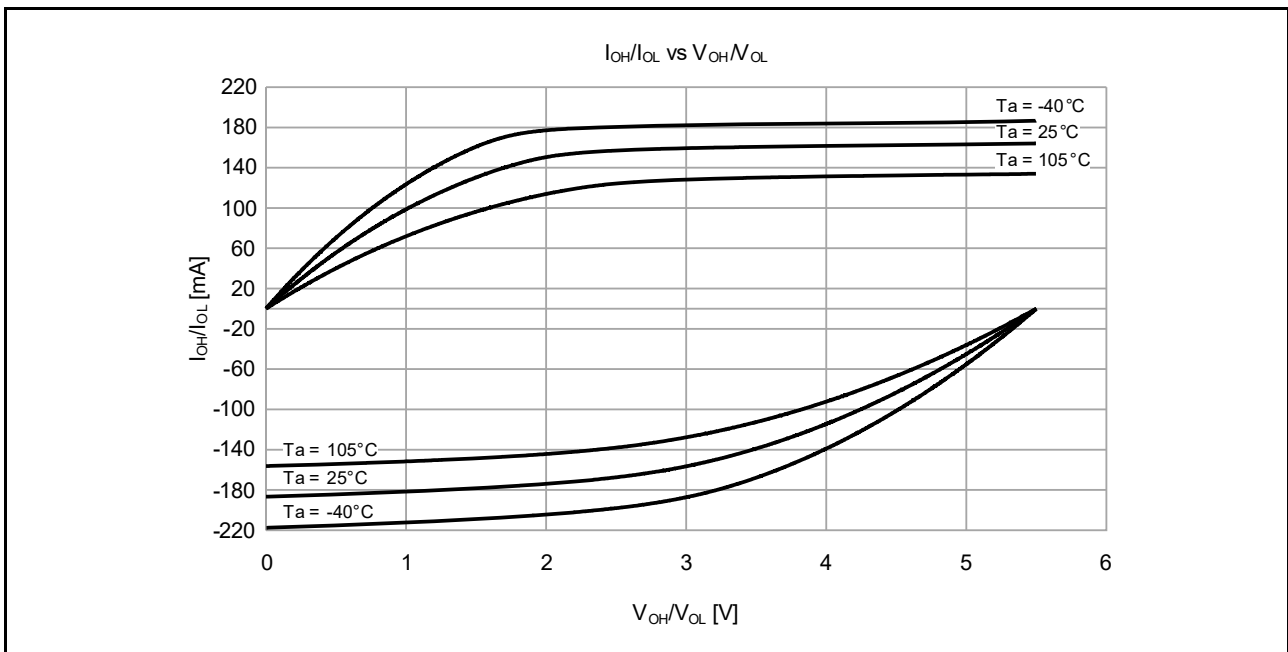


Figure 2.15  $V_{OH}/V_{OL}$  and  $I_{OH}/I_{OL}$  temperature characteristics at  $V_{CC} = 5.5$  V when middle drive output is selected (reference data)

2.2.8 IIC I/O Pin Output Characteristics

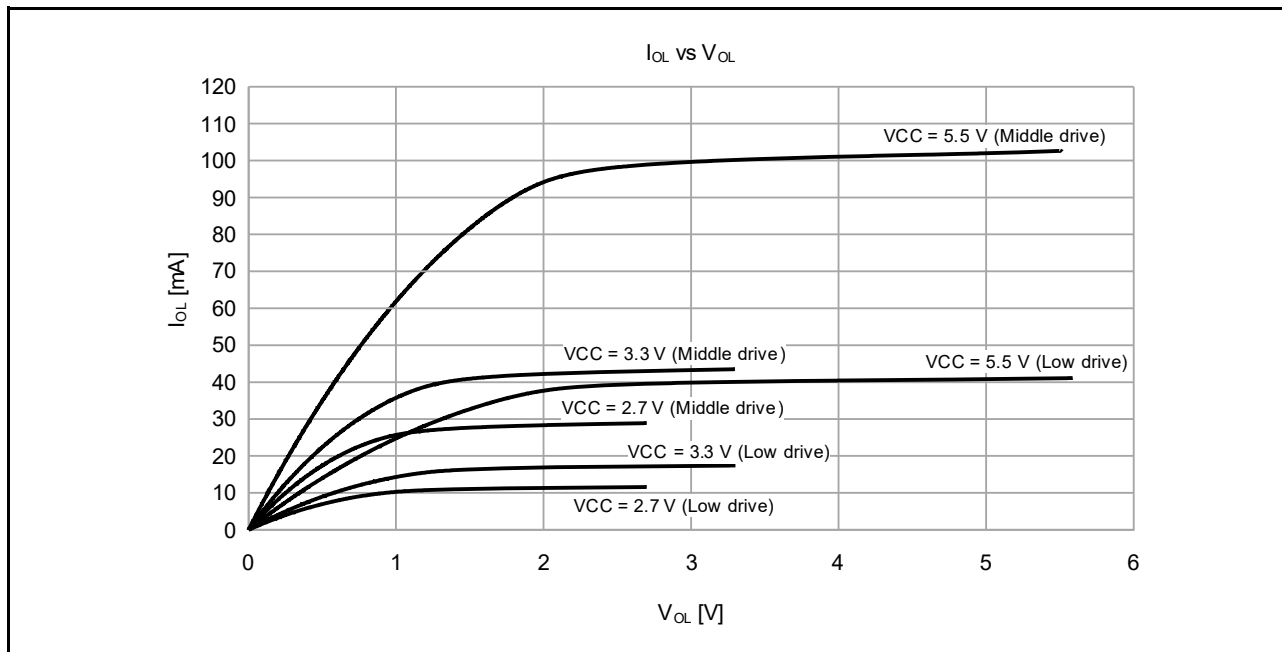


Figure 2.16 V<sub>OH</sub>/V<sub>OL</sub> and I<sub>OH</sub>/I<sub>OL</sub> voltage characteristics at Ta = 25°C

2.2.9 Operating and Standby Current

**Table 2.11 Operating and standby current (1) (1 of 2)**

Conditions: VCC = AVCC0 = 1.6 to 5.5 V

| Parameter  |                                 |   |   |               | Symbol          | Typ*10 | Max             | Unit | Test conditions |    |   |   |    |    |     |    |
|--|---------------------------------|---|---|---------------|-----------------|--------|-----------------|------|-----------------|----|---|---|----|----|-----|----|
| Supply current*1   | High-speed mode*2               | Normal mode   | All peripheral clocks disabled, while (1) code executing from flash*5 | ICLK = 48 MHz | I <sub>CC</sub> | 9.3    | -               | mA   | *7              |    |   |   |    |    |     |    |
|  |                                 |   |   | ICLK = 32 MHz |                 | 6.7    | -               |      |                 |    |   |   |    |    |     |    |
|  |                                 |   |   | ICLK = 16 MHz |                 | 4.1    | -               |      |                 |    |   |   |    |    |     |    |
|  |                                 |   |   | ICLK = 8 MHz  |                 | 2.7    | -               |      |                 |    |   |   |    |    |     |    |
|  |                                 |   | All peripheral clocks disabled, CoreMark code executing from flash*5  | ICLK = 48 MHz |                 | 18.8   | -               |      |                 |    |   |   |    |    |     |    |
|  |                                 |   |   | ICLK = 32 MHz |                 | 13.1   | -               |      |                 |    |   |   |    |    |     |    |
|  |                                 |   |   | ICLK = 16 MHz |                 | 7.5    | -               |      |                 |    |   |   |    |    |     |    |
|  |                                 |   |   | ICLK = 8 MHz  |                 | 4.7    | -               |      |                 |    |   |   |    |    |     |    |
|  |                                 |   | All peripheral clocks enabled, while (1) code executing from flash*5  | ICLK = 48 MHz |                 | 22.4   | -               |      |                 | *9 |   |   |    |    |     |    |
|  |                                 |   |   | ICLK = 32 MHz |                 | 16.9   | -               |      |                 | *8 |   |   |    |    |     |    |
|  |                                 |   |   | ICLK = 16 MHz |                 | 9.4    | -               |      |                 |    |   |   |    |    |     |    |
|  |                                 |   |   | ICLK = 8 MHz  |                 | 5.5    | -               |      |                 |    |   |   |    |    |     |    |
|  |                                 | All peripheral clocks enabled, code executing from SRAM*5 | ICLK = 48 MHz   | -             | 62.0            | *9     |                 |      |                 |    |   |   |    |    |     |    |
|  |                                 |   | Sleep mode  |               |                 |        | I <sub>CC</sub> |      | -               | -  | - | - |    |    |     |    |
|  |                                 |   | All peripheral clocks disabled*5                                      | ICLK = 48 MHz | 4.0             | -      |                 |      |                 |    |   |   | *7 |    |     |    |
|  |                                 |   |   | ICLK = 32 MHz | 3.1             | -      |                 |      |                 |    |   |   |    |    |     |    |
|  |                                 |   |   | ICLK = 16 MHz | 2.3             | -      |                 |      |                 |    |   |   |    |    |     |    |
|  |                                 |   |   | ICLK = 8 MHz  | 1.8             | -      |                 |      |                 |    |   |   |    |    |     |    |
|  | All peripheral clocks enabled*5 | ICLK = 48 MHz   | 16.8  | -             | *9              |        |                 |      |                 |    |   |   |    |    |     |    |
|  |                                 | ICLK = 32 MHz   | 13.0  | -             | *8              |        |                 |      |                 |    |   |   |    |    |     |    |
|  |                                 | ICLK = 16 MHz   | 7.4   | -             |                 |        |                 |      |                 |    |   |   |    |    |     |    |
|  |                                 | ICLK = 8 MHz  | 4.5   | -             |                 |        |                 |      |                 |    |   |   |    |    |     |    |
|  | Increase during BGO operation*6 |   |   |               |                 | 2.5    |                 | -    |                 |    |   |   |    | -  |     |    |
|  | Middle-speed mode*2             | Normal mode   | All peripheral clocks disabled, while (1) code executing from flash*5 | ICLK = 12 MHz | I <sub>CC</sub> | 2.8    |                 | -    |                 |    |   |   | mA | *7 |     |    |
| ICLK = 8 MHz   |                                 |   |   | 2.3           |                 |        |                 |      |                 |    |   |   |    |    | -   |    |
| ICLK = 1 MHz   |                                 |   |   | 1.1           |                 |        | -               |      |                 |    |   |   |    |    |     |    |
| All peripheral clocks disabled, CoreMark code executing from flash*5 |                                 |   |   | ICLK = 12 MHz |                 |        | 5.4             |      | -               |    |   |   |    |    |     |    |
|  |                                 |   |   | ICLK = 8 MHz  |                 |        | 4.2             |      | -               |    |   |   |    |    |     |    |
|  |                                 |   |   | ICLK = 1 MHz  |                 |        | 1.4             |      | -               |    |   |   |    |    |     |    |
| All peripheral clocks enabled, while (1) code executing from flash*5 |                                 |   | ICLK = 12 MHz   | 6.9           |                 |        | -               |      | *8              |    |   |   |    |    |     |    |
|  |                                 |   | ICLK = 8 MHz  | 5.1           |                 |        | -               |      |                 |    |   |   |    |    |     |    |
|  |                                 |   | ICLK = 1 MHz  | 1.7           |                 |        | -               |      |                 |    |   |   |    |    |     |    |
| All peripheral clocks enabled, code executing from SRAM*5            |                                 |   | ICLK = 12 MHz   | -             |                 |        | 25.0            |      |                 |    |   |   |    |    |     |    |
|  |                                 |   | Sleep mode  |               |                 |        | I <sub>CC</sub> |      | -               | -  | - | - |    |    |     |    |
|  |                                 |   | All peripheral clocks disabled*5                                      | ICLK = 12 MHz |                 |        |                 |      |                 |    |   |   |    |    | 1.5 | -  |
| ICLK = 8 MHz   |                                 |   |   | 1.4           |                 |        |                 |      |                 |    |   |   |    |    | -   |    |
| ICLK = 1 MHz   |                                 |   |   | 1.0           |                 |        |                 |      |                 |    |   |   |    |    | -   |    |
| All peripheral clocks enabled*5                                      |                                 |   | ICLK = 12 MHz   | 5.4           |                 |        |                 |      |                 |    |   |   |    |    | -   | *8 |
|  |                                 |   | ICLK = 8 MHz  | 4.1           |                 |        |                 |      |                 |    |   |   |    |    | -   |    |
|  |                                 |   | ICLK = 1 MHz  | 1.6           |                 |        |                 |      |                 |    |   |   |    |    | -   |    |
| Increase during BGO operation*6                                      |                                 |   |   |               |                 |        |                 |      |                 |    |   |   |    |    | 2.5 | -  |

**Table 2.11 Operating and standby current (1) (2 of 2)**

Conditions: VCC = AVCC0 = 1.6 to 5.5 V

| Parameter           |                    |   |   |                 | Symbol          | Typ*10          | Max | Unit | Test conditions |    |    |
|---------------------|--------------------|---|---|-----------------|-----------------|-----------------|-----|------|-----------------|----|----|
| Supply current*1    | Low-speed mode*3   | Normal mode   | All peripheral clocks disabled, while (1) code executing from flash*5 | ICLK = 1 MHz    | I <sub>CC</sub> | 0.4             | -   | mA   | *7              |    |    |
|                     |                    |   | All peripheral clocks disabled, CoreMark code executing from flash*5  | ICLK = 1 MHz    |                 | 0.6             | -   |      |                 |    |    |
|                     |                    |   | All peripheral clocks enabled, while (1) code executing from flash*5  | ICLK = 1 MHz    |                 | 1.1             | -   |      |                 | *8 |    |
|                     |                    |   | All peripheral clocks enabled, code executing from SRAM*5             | ICLK = 1 MHz    |                 | -               | 2.6 |      |                 |    |    |
|                     |                    | Sleep mode  | All peripheral clocks disabled*5                                      | ICLK = 1 MHz    |                 | 0.3             | -   |      | *7              |    |    |
|                     |                    |   | All peripheral clocks enabled*5                                       | ICLK = 1 MHz    |                 | 1.0             | -   |      | *8              |    |    |
|                     | Low-voltage mode*3 | Normal mode   | All peripheral clocks disabled, while (1) code executing from flash*5 | ICLK = 4 MHz    |                 | I <sub>CC</sub> | 2.2 | -    | mA              | *7 |    |
|                     |                    |   | All peripheral clocks disabled, CoreMark code executing from flash*5  | ICLK = 4 MHz    |                 |                 | 3.3 | -    |                 |    |    |
|                     |                    |   | All peripheral clocks enabled, while (1) code executing from flash*5  | ICLK = 4 MHz    |                 |                 | 3.7 | -    |                 |    | *8 |
|                     |                    |   | All peripheral clocks enabled, code executing from SRAM*5             | ICLK = 4 MHz    |                 |                 | -   | 10.0 |                 |    |    |
|                     |                    | Sleep mode  | All peripheral clocks disabled*5                                      | ICLK = 4 MHz    |                 |                 | 1.7 | -    |                 | *7 |    |
|                     |                    |   | All peripheral clocks enabled*5                                       | ICLK = 4 MHz    |                 |                 | 3.2 | -    |                 | *8 |    |
| Subosc-speed mode*4 | Normal mode        | All peripheral clocks disabled, while (1) code executing from flash*5 | ICLK = 32.768 kHz   | I <sub>CC</sub> | 10.0            | -               | μA  | *8   |                 |    |    |
|                     |                    | All peripheral clocks enabled, while (1) code executing from flash*5  | ICLK = 32.768 kHz   |                 | 17.9            | -               |     |      |                 |    |    |
|                     |                    | All peripheral clocks enabled, code executing from SRAM*5             | ICLK = 32.768 kHz   |                 | -               | 154.0           |     |      |                 |    |    |
|                     | Sleep mode         | All peripheral clocks disabled*5                                      | ICLK = 32.768 kHz   |                 | 6.3             | -               |     |      |                 |    |    |
|                     |                    | All peripheral clocks enabled*5                                       | ICLK = 32.768 kHz   |                 | 14.0            | -               |     |      |                 |    |    |

Note 1. Supply current values do not include output charge/discharge current from all pins. The values apply when internal pull-up MOSs are in the off state.

Note 2. The clock source is HOCO.

Note 3. The clock source is MOCO.

Note 4. The clock source is the sub-clock oscillator.

Note 5. This does not include BGO operation.

Note 6. This is the increase for programming or erasure of the flash memory for data storage during program execution.

Note 7. FCLK, BCLK, PCLKA, PCLKB, PCLKC, and PCLKD are set to divided by 64.

Note 8. FCLK, BCLK, PCLKA, PCLKB, PCLKC, and PCLKD are the same frequency as that of ICLK.

Note 9. FCLK, BCLK, and PCLKB are set to divided by 2 and PCLKA, PCLKC, and PCLKD are the same frequency as that of ICLK.

Note 10. VCC = 3.3 V.

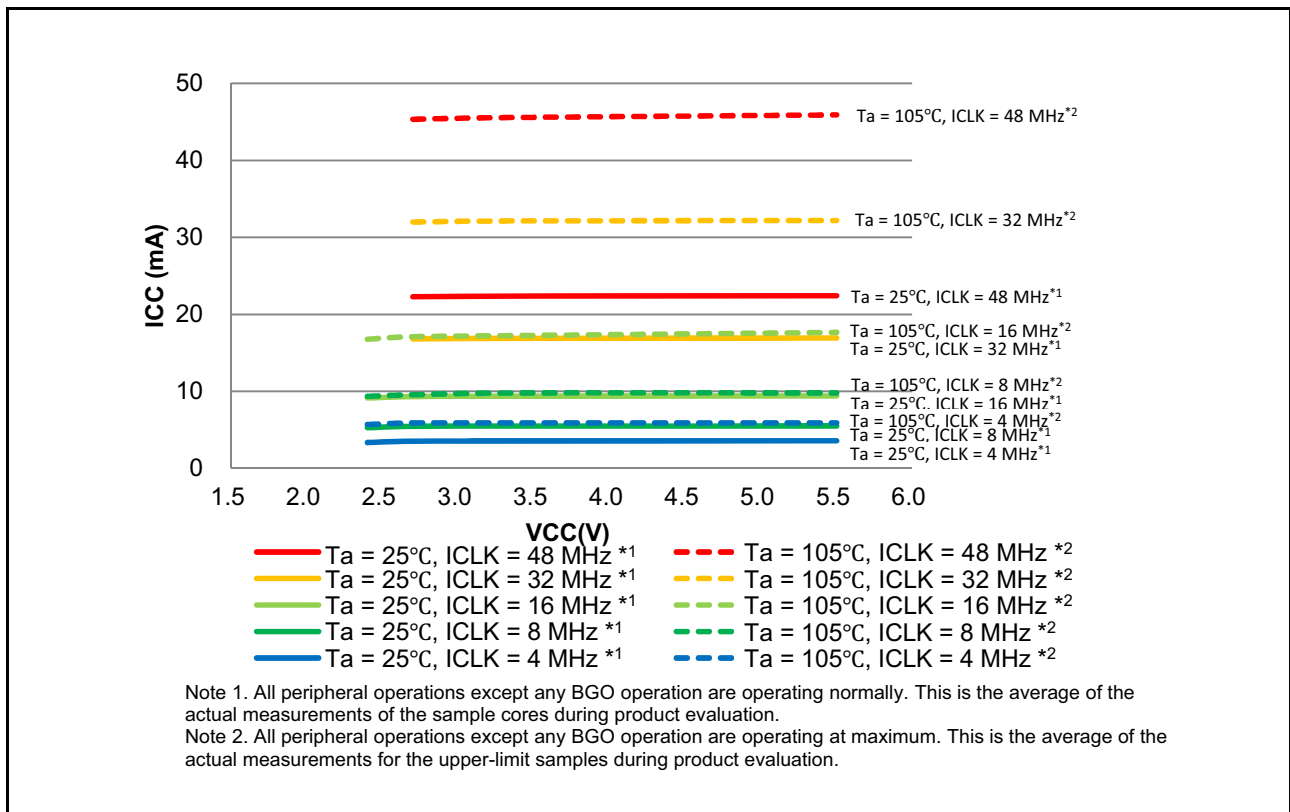


Figure 2.17 Voltage dependency in high-speed mode (reference data)

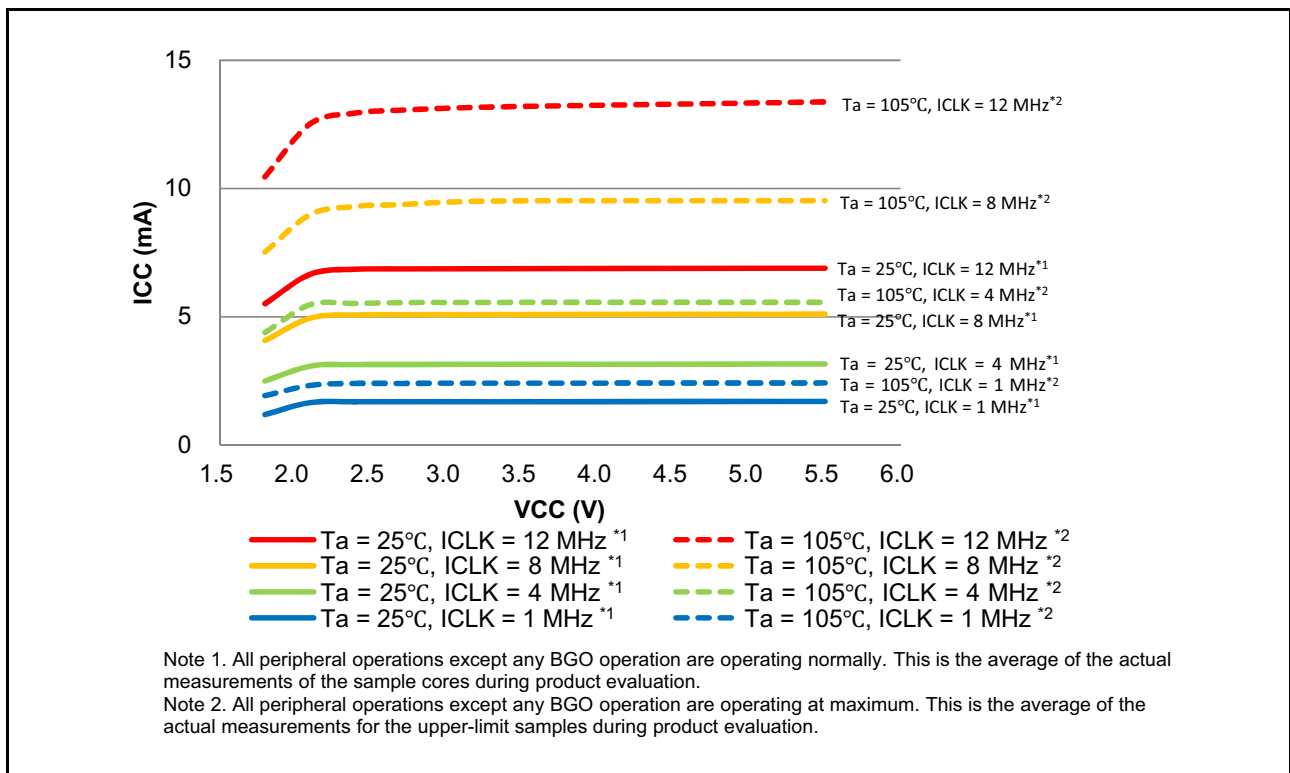


Figure 2.18 Voltage dependency in middle-speed mode (reference data)

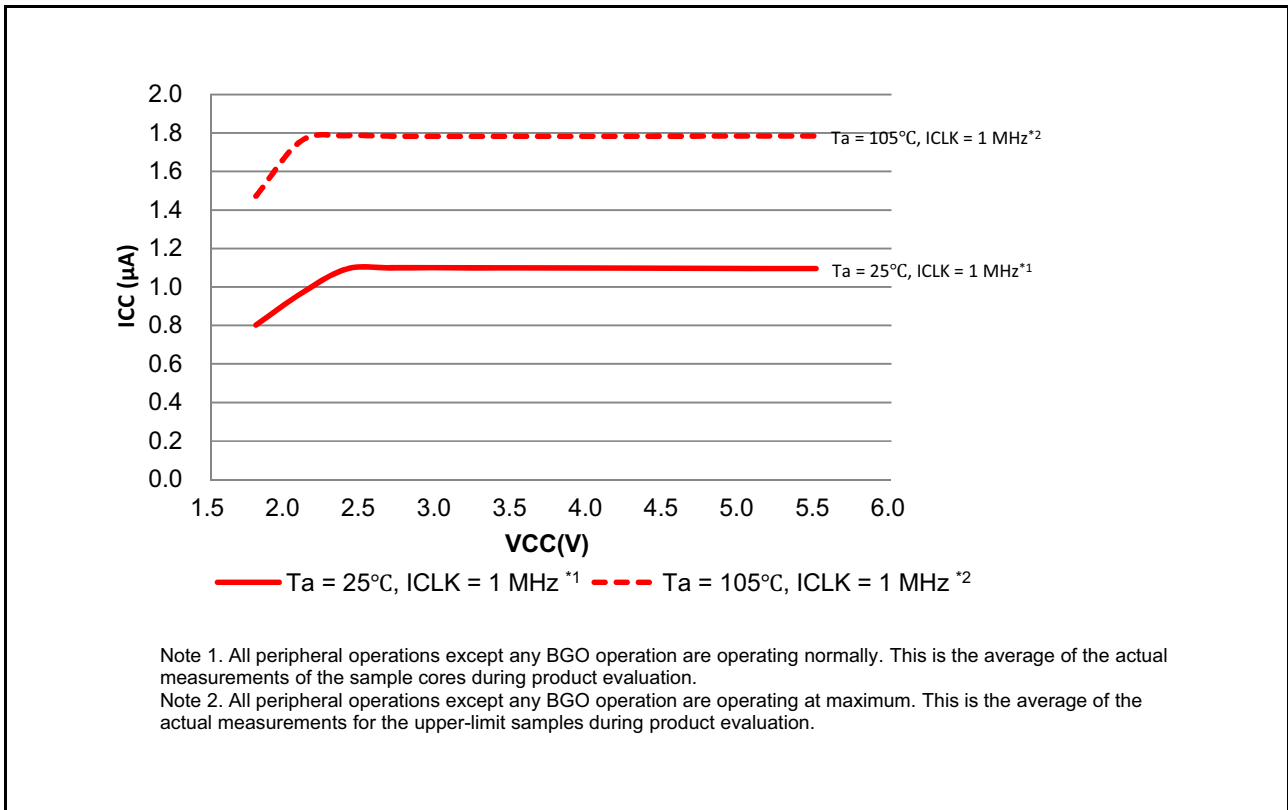


Figure 2.19 Voltage dependency in low-speed mode (reference data)

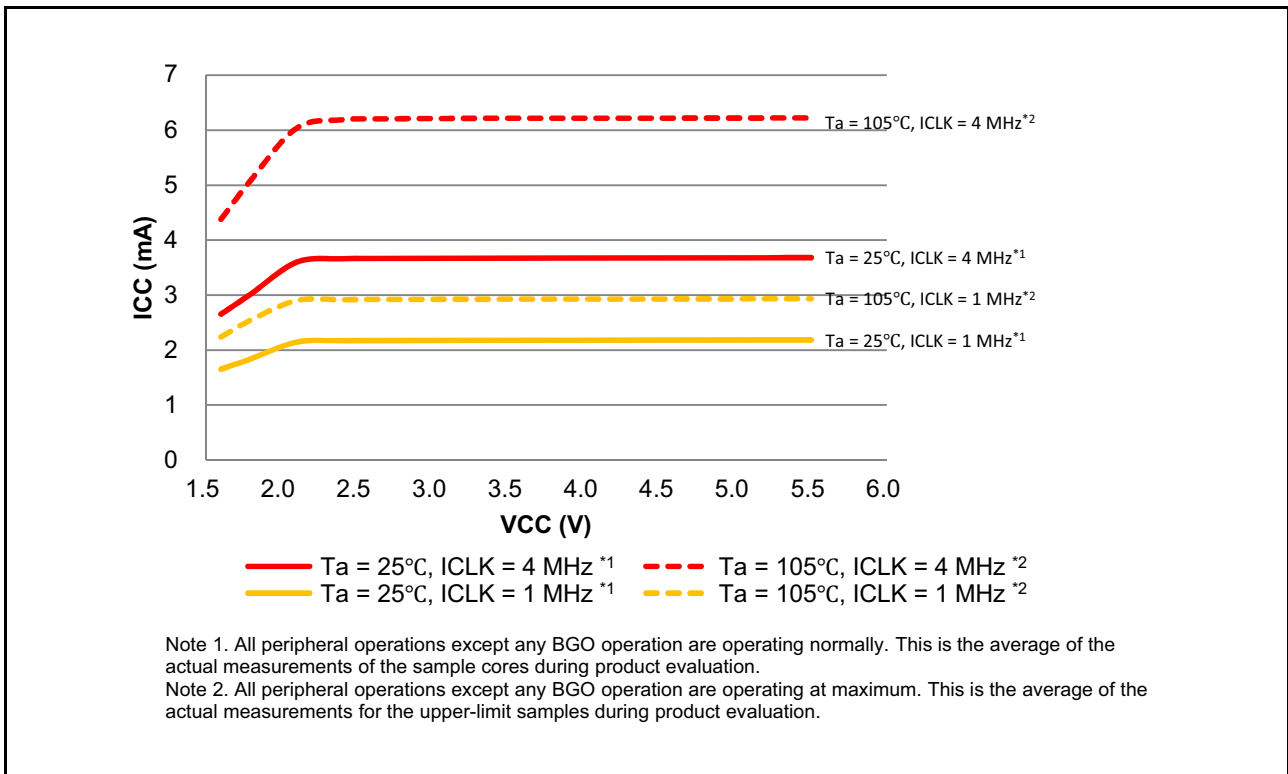


Figure 2.20 Voltage dependency in low-voltage mode (reference data)



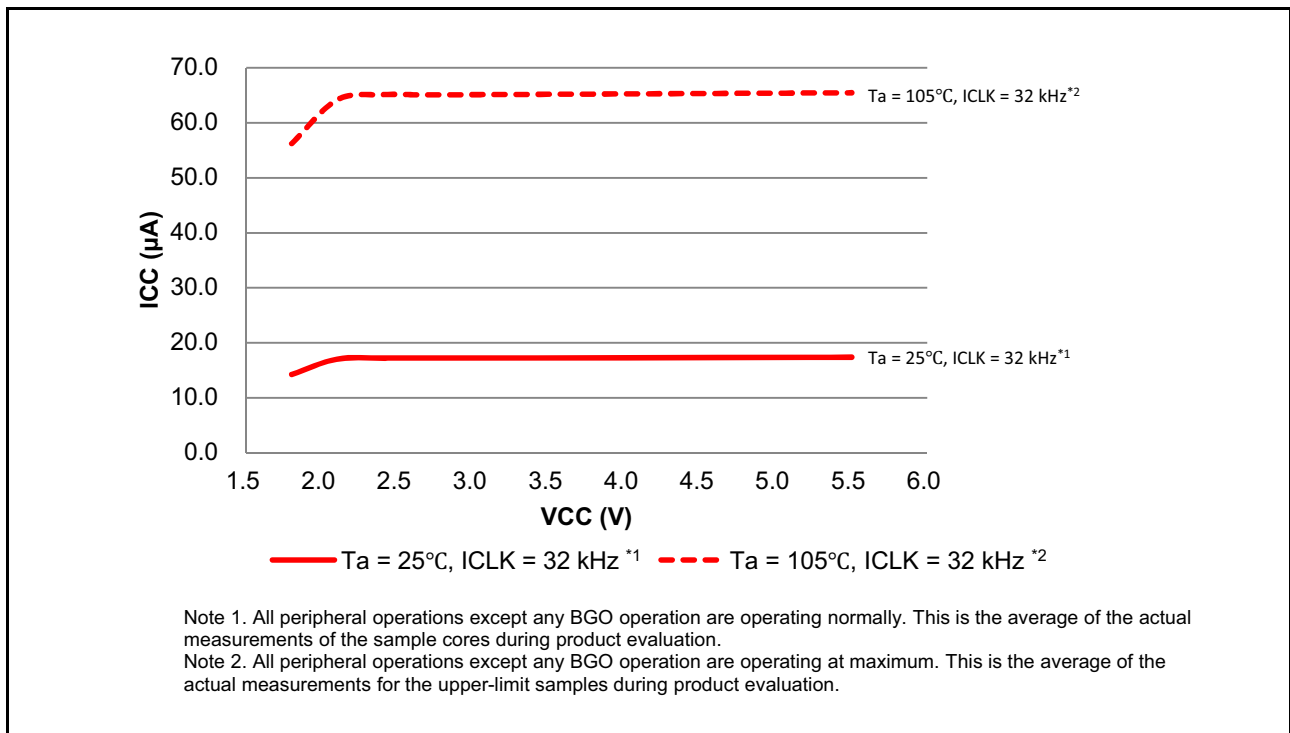


Figure 2.21 Voltage dependency in Subosc-speed mode (reference data)

Table 2.12 Operating and standby current (2)

Conditions: VCC = AVCC0 = 1.6 to 5.5 V

| Parameter        |   | Symbol          | Typ*4                  | Max  | Unit | Test conditions                        |   |
|------------------|---|-----------------|------------------------|------|------|--|---|
| Supply current*1 | Software Standby mode*2   | I <sub>CC</sub> | T <sub>a</sub> = 25°C  | 0.9  | 5.5  | µA                                     | PSMCR.PSMC[1:0] = 01b (48-KB SRAM on)       |
|                  |   |                 | T <sub>a</sub> = 55°C  | 1.6  | 10.5 |  |   |
|                  |   |                 | T <sub>a</sub> = 85°C  | 4.5  | 25.4 |  |   |
|                  |   |                 | T <sub>a</sub> = 105°C | 12.0 | 64.7 |  |   |
|                  |   |                 | T <sub>a</sub> = 25°C  | 1.1  | 7.0  |  | PSMCR.PSMC[1:0] = 00b (All SRAM on)         |
|                  |   |                 | T <sub>a</sub> = 55°C  | 2.0  | 14.6 |  |   |
|                  |   |                 | T <sub>a</sub> = 85°C  | 6.6  | 36.2 |  |   |
|                  |   |                 | T <sub>a</sub> = 105°C | 17.6 | 96.3 |  |   |
|                  | Increment for RTC operation with low-speed on-chip oscillator*3 |                 |                        | 0.5  | -    |  | -   |
|                  | Increment for RTC operation with sub-clock oscillator*3         |                 |                        | 0.4  | -    |  | SOMCR.SODRV[1:0] are 11b (Low power mode 3) |
|                  |   |                 | 1.2                    | -    |      | SOMCR.SODRV[1:0] are 00b (Normal mode) |   |

Note 1. Supply current values do not include output charge/discharge current from all pins. The values apply when internal pull-up MOSs are in the off state.

Note 2. The IWDT and LVD are not operating.

Note 3. Includes the current of sub-oscillation circuit or low-speed on-chip oscillator.

Note 4. VCC = 3.3 V.

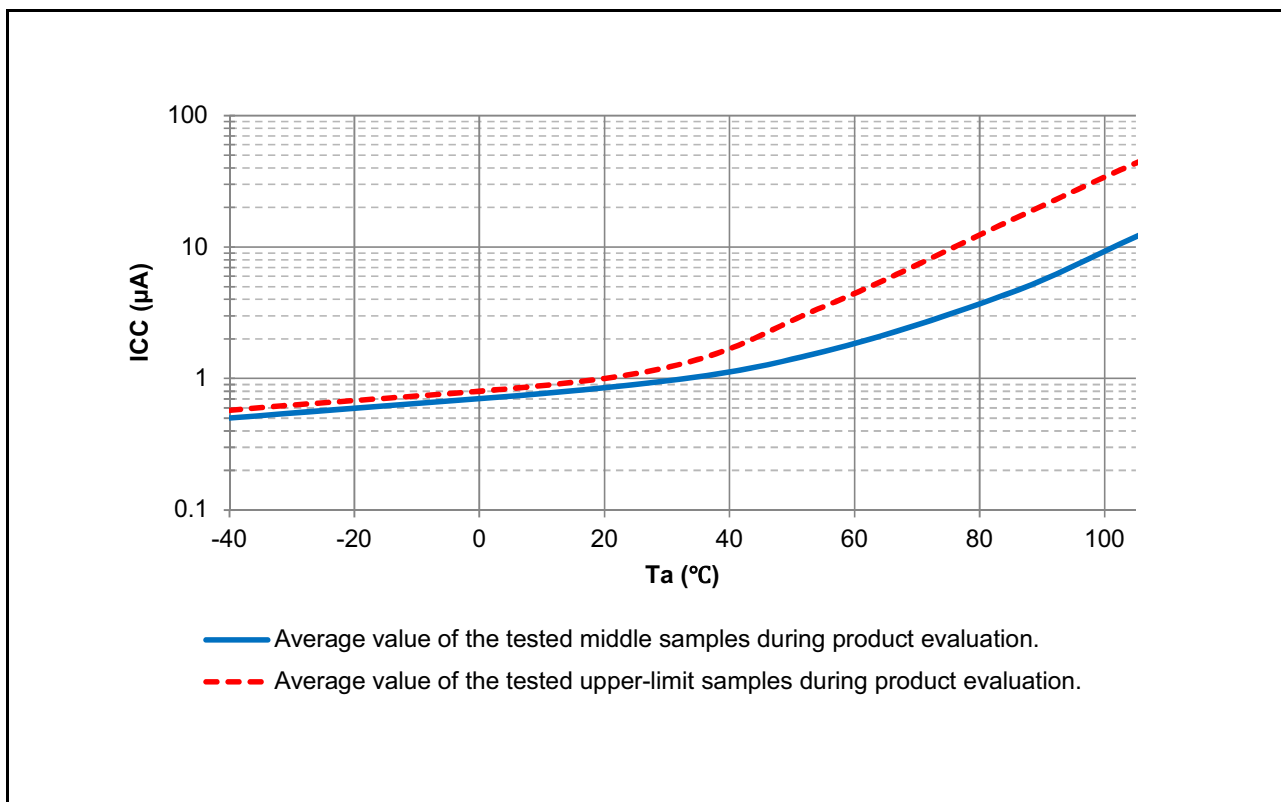


Figure 2.22 Temperature dependency in Software Standby mode 48-KB SRAM on (reference data)

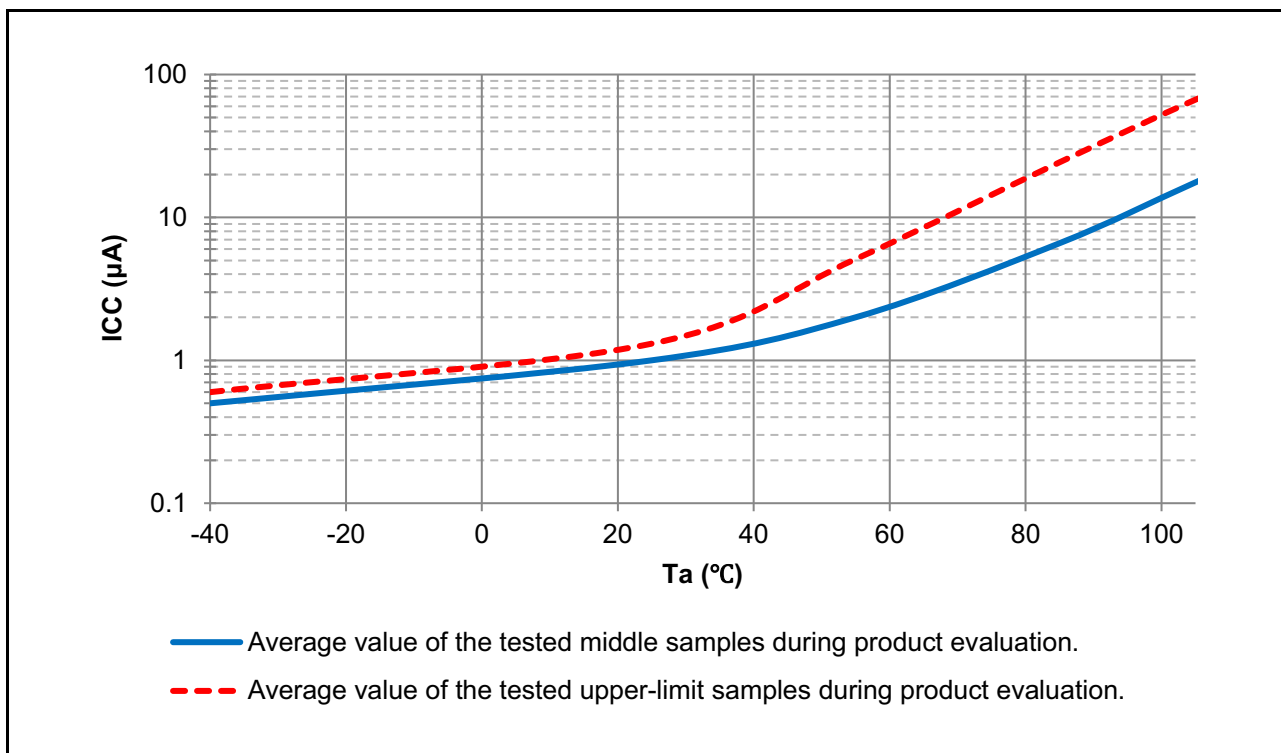


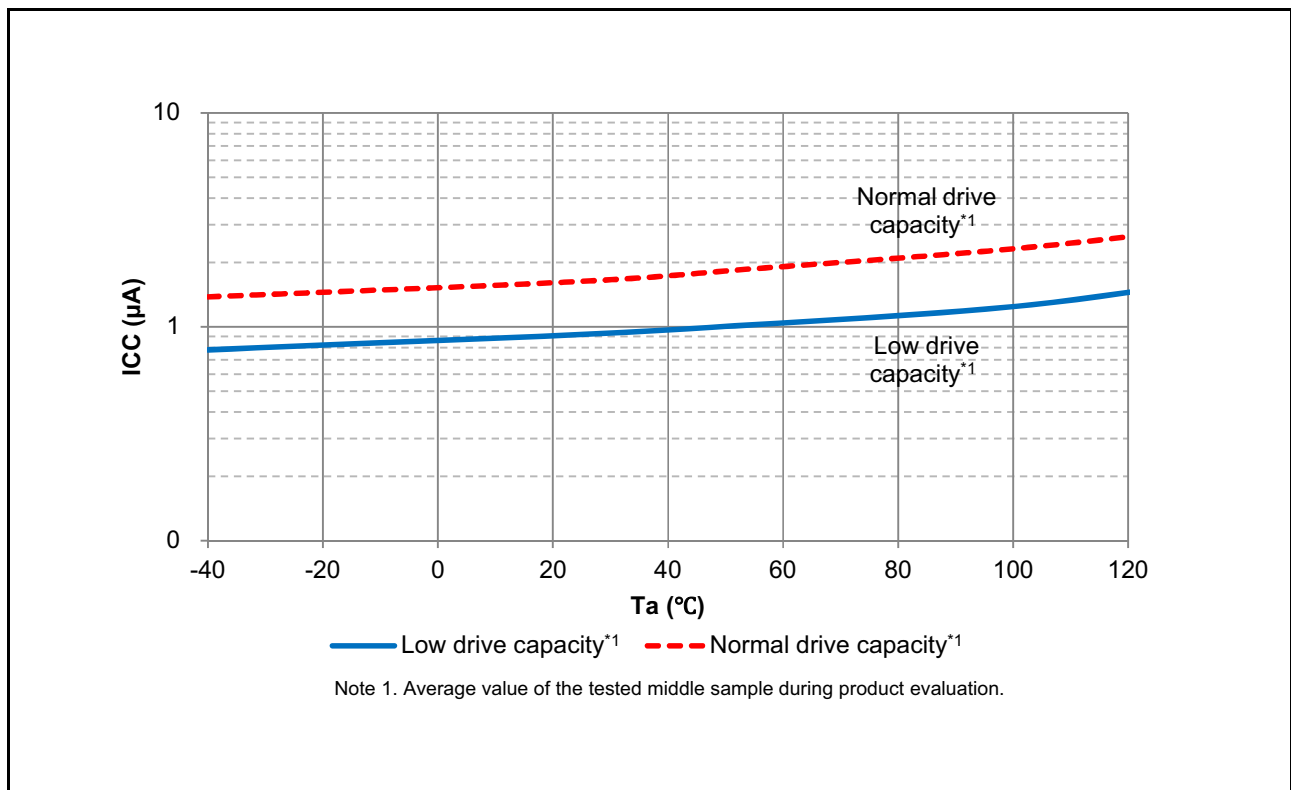
Figure 2.23 Temperature dependency in Software Standby mode all SRAM on (reference data)

**Table 2.13 Operating and standby current (3)**

Conditions: VCC = AVCC0 = 0 V, VBATT = 1.6 to 3.6 V, VSS = AVSS0 = 0 V

| Parameter   | Symbol          | Typ                    | Max | Unit | Test conditions |  |
|---|-----------------|------------------------|-----|------|-----------------|--|
| Supply current*1<br>RTC operation when VCC is off | I <sub>CC</sub> | T <sub>a</sub> = 25°C  | 0.8 | -    | μA              | VBATT = 2.0 V<br>SOMCR.SORDRV[1:0] = 11b<br>(Low power mode 3) |
|   |                 | T <sub>a</sub> = 55°C  | 0.9 | -    |                 |  |
|   |                 | T <sub>a</sub> = 85°C  | 1.1 | -    |                 |  |
|   |                 | T <sub>a</sub> = 105°C | 1.2 | -    |                 |  |
|   |                 | T <sub>a</sub> = 25°C  | 0.9 | -    |                 | VBATT = 3.3 V<br>SOMCR.SORDRV[1:0] = 11b<br>(Low power mode 3) |
|   |                 | T <sub>a</sub> = 55°C  | 1.0 | -    |                 |  |
|   |                 | T <sub>a</sub> = 85°C  | 1.2 | -    |                 |  |
|   |                 | T <sub>a</sub> = 105°C | 1.3 | -    |                 |  |
|   |                 | T <sub>a</sub> = 25°C  | 1.6 | -    |                 | VBATT = 2.0 V<br>SOMCR.SORDRV[1:0] = 00b<br>(Normal mode)      |
|   |                 | T <sub>a</sub> = 55°C  | 1.8 | -    |                 |  |
|   |                 | T <sub>a</sub> = 85°C  | 2.1 | -    |                 |  |
|   |                 | T <sub>a</sub> = 105°C | 2.3 | -    |                 |  |
|   |                 | T <sub>a</sub> = 25°C  | 1.7 | -    |                 | VBATT = 3.3 V<br>SOMCR.SORDRV[1:0] = 00b<br>(Normal mode)      |
|   |                 | T <sub>a</sub> = 55°C  | 1.9 | -    |                 |  |
|   |                 | T <sub>a</sub> = 85°C  | 2.2 | -    |                 |  |
|   |                 | T <sub>a</sub> = 105°C | 2.4 | -    |                 |  |

Note 1. Supply current values do not include output charge/discharge current from all pins. The values apply when internal pull-up MOSs are in the off state.



**Figure 2.24 Temperature dependency of RTC operation with VCC off (reference data)**

**Table 2.14 Operating and standby current (4)**

Conditions: VCC = AVCC0 = 1.6 to 5.5 V, VREFH0 = 2.7 V to AVCC0

| Parameter                                     |   | Symbol          | Min               | Typ                           | Max | Unit    | Test conditions |   |
|---|---|-----------------|-------------------|-------------------------------|-----|---------|-----------------|---|
| Analog power supply current                   | During A/D conversion (at high-speed conversion)  | $I_{AVCC}$      | -                 | -                             | 3.0 | mA      | -               |   |
|   | During A/D conversion (at low power conversion)   |                 | -                 | -                             | 1.0 | mA      | -               |   |
|   | During D/A conversion (per channel)*1   |                 | -                 | 0.4                           | 0.8 | mA      | -               |   |
|   | Waiting for A/D and D/A conversion (all units)*6  |                 | -                 | -                             | 1.0 | $\mu$ A | -               |   |
| Reference power supply current                | During A/D conversion   | $I_{REFH0}$     | -                 | -                             | 150 | $\mu$ A | -               |   |
|   | Waiting for A/D conversion (all units)  |                 | -                 | -                             | 60  | nA      | -               |   |
|   | During D/A conversion   | $I_{REFH}$      | -                 | 50                            | 100 | $\mu$ A | -               |   |
|   | Waiting for D/A conversion (all units)  |                 | -                 | -                             | 100 | $\mu$ A | -               |   |
| Temperature sensor                            |   | $I_{TNS}$       | -                 | 75                            | -   | $\mu$ A | -               |   |
| Low-Power Analog Comparator operating current | Window mode   | $I_{CMPLP}$     | -                 | 15                            | -   | $\mu$ A | -               |   |
|   | Comparator High-speed mode  |                 | -                 | 10                            | -   | $\mu$ A | -               |   |
|   | Comparator Low-speed mode   |                 | -                 | 2                             | -   | $\mu$ A | -               |   |
|   | Comparator Low-speed mode using DAC8  |                 | -                 | 820                           | -   | $\mu$ A | -               |   |
| Operational Amplifier operating current       | Low power mode  | $I_{AMP}$       | 1 unit operating  | -                             | 2.5 | 4.0     | $\mu$ A         | - |
|   |   |                 | 2 units operating | -                             | 4.5 | 8.0     | $\mu$ A         | - |
|   |   |                 | 3 units operating | -                             | 6.5 | 11.0    | $\mu$ A         | - |
|   |   |                 | 4 units operating | -                             | 8.5 | 14.0    | $\mu$ A         | - |
|   | High speed mode   |                 | 1 unit operating  | -                             | 140 | 220     | $\mu$ A         | - |
|   |   |                 | 2 units operating | -                             | 280 | 410     | $\mu$ A         | - |
|   |   |                 | 3 units operating | -                             | 420 | 600     | $\mu$ A         | - |
|   |   |                 | 4 units operating | -                             | 560 | 780     | $\mu$ A         | - |
| LCD operating current                         | External resistance division method<br>$f_{LCD} = f_{SUB} = 128$ Hz, 1/3 bias, and 4-time slice   | $I_{LCD1}^{*5}$ | -                 | 0.34                          | -   | $\mu$ A | -               |   |
|   | Internal voltage boosting method (VLCD.VLCD = 04)<br>$f_{LCD} = f_{SUB} = 128$ Hz, 1/3 bias, and 4-time slice   | $I_{LCD2}^{*5}$ | -                 | 0.92                          | -   | $\mu$ A | -               |   |
|   | Capacitor split method<br>$f_{LCD} = f_{SUB} = 128$ Hz, 1/3 bias, and 4-time slice  | $I_{LCD3}^{*5}$ | -                 | 0.19                          | -   | $\mu$ A | -               |   |
| USB operating current                         | During USB communication operation under the following settings and conditions:<br>• Host controller operation is set to full-speed mode<br>Bulk OUT transfer (64 bytes) $\times$ 1,<br>bulk IN transfer (64 bytes) $\times$ 1<br>• Connect peripheral devices via a 1-meter USB cable from the USB port. | $I_{USBH}^{*2}$ | -                 | 4.3 (VCC)<br>0.9 (VCC_USB)*4  | -   | mA      | -               |   |
|   | During USB communication operation under the following settings and conditions:<br>• Device controller operation is set to full-speed mode<br>Bulk OUT transfer (64 bytes) $\times$ 1,<br>bulk IN transfer (64 bytes) $\times$ 1<br>• Connect the host device via a 1-meter USB cable from the USB port.  | $I_{USBF}^{*2}$ | -                 | 3.6 (VCC)<br>1.1 (VCC_USB)*4  | -   | mA      | -               |   |
|   | During suspended state under the following setting and conditions:<br>• Device controller operation is set to full-speed mode (pull up the USB_DP pin)<br>• Software standby mode<br>• Connect the host device via a 1-meter USB cable from the USB port.   | $I_{SUSP}^{*3}$ | -                 | 0.35 (VCC)<br>170 (VCC_USB)*4 | -   | $\mu$ A | -               |   |

Note 1. The reference power supply current is included in the power supply current value for D/A conversion.

Note 2. Current consumed only by the USBFS.

Note 3. Includes the current supplied from the pull-up resistor of the USB\_DP pin to the pull-down resistor of the host device, in addition to the current consumed by the MCU during the suspended state.

Note 4. When VCC = VCC\_USB = 3.3 V.

Note 5. Current flowing only to the LCD controller. Not including the current that flows through the LCD panel.

Note 6. When the MCU is in Software Standby mode or the MSTPCR.DMSTPD16 (ADC140 Module Stop bit) is in the module-stop state.

## 2.2.10 VCC Rise and Fall Gradient and Ripple Frequency

**Table 2.15 Rise and fall gradient characteristics**

Conditions: VCC = AVCC0 = 0 to 5.5 V

| Parameter                    | Symbol   | Min   | Typ  | Max | Unit | Test conditions |   |
|------------------------------|--|-------|------|-----|------|-----------------|---|
| Power-on VCC rising gradient | Voltage monitor 0 reset disabled at startup (normal startup) | SrVCC | 0.02 | -   | 2    | ms/V            | - |
|                              | Voltage monitor 0 reset enabled at startup*1                 |       | 0.02 | -   | -    |                 |   |
|                              | SCI/USB Boot mode*2  |       | 0.02 | -   | 2    |                 |   |

Note 1. When OFS1.LVDAS = 0.

Note 2. At boot mode, the reset from voltage monitor 0 is disabled regardless of the value of the OFS1.LVDAS bit.

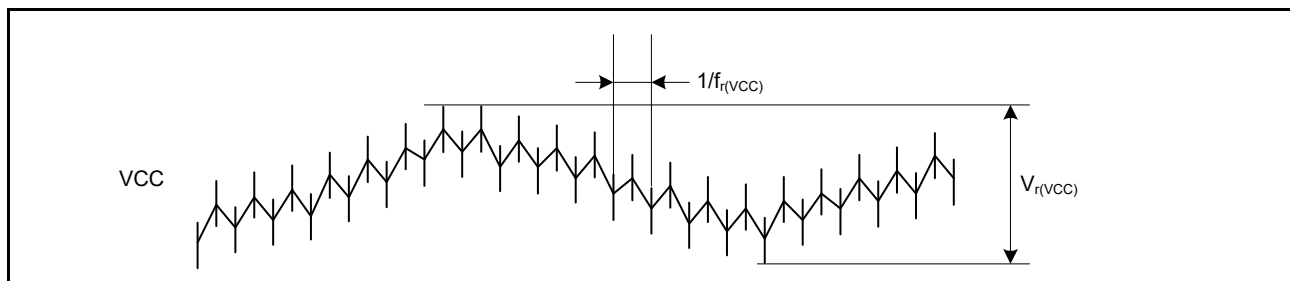
**Table 2.16 Rising and falling gradient and ripple frequency characteristics**

Conditions: VCC = AVCC0 = VCC\_USB = 1.6 to 5.5 V

The ripple voltage must meet the allowable ripple frequency  $f_{r(VCC)}$  within the range between the VCC upper limit (5.5 V) and lower limit (1.6 V).

When VCC change exceeds VCC  $\pm$  10%, the allowable voltage change rising/falling gradient dt/dVCC must be met.

| Parameter  | Symbol       | Min | Typ | Max | Unit | Test conditions                                  |
|--|--------------|-----|-----|-----|------|--|
| Allowable ripple frequency                           | $f_{r(VCC)}$ | -   | -   | 10  | kHz  | Figure 2.25<br>$V_{r(VCC)} \leq VCC \times 0.2$  |
|  |              | -   | -   | 1   | MHz  | Figure 2.25<br>$V_{r(VCC)} \leq VCC \times 0.08$ |
|  |              | -   | -   | 10  | MHz  | Figure 2.25<br>$V_{r(VCC)} \leq VCC \times 0.06$ |
| Allowable voltage change rising and falling gradient | dt/dVCC      | 1.0 | -   | -   | ms/V | When VCC change exceeds VCC $\pm$ 10%            |



**Figure 2.25 Ripple waveform**

## 2.3 AC Characteristics

### 2.3.1 Frequency

**Table 2.17 Operation frequency value in high-speed operating mode**

Conditions: VCC = AVCC0 = 2.4 to 5.5 V

| Parameter           |                                       |              | Symbol | Min      | Typ | Max*5 | Unit |
|---------------------|---------------------------------------|--------------|--------|----------|-----|-------|------|
| Operation frequency | System clock (ICLK)*4                 | 2.7 to 5.5 V | f      | 0.032768 | -   | 48    | MHz  |
|                     |                                       | 2.4 to 2.7 V |        | 0.032768 | -   | 16    |      |
|                     | FlashIF clock (FCLK)*1, *2, *4        | 2.7 to 5.5 V |        | 0.032768 | -   | 32    |      |
|                     |                                       | 2.4 to 2.7 V |        | 0.032768 | -   | 16    |      |
|                     | Peripheral module clock (PCLKA)*4     | 2.7 to 5.5 V |        | -        | -   | 48    |      |
|                     |                                       | 2.4 to 2.7 V |        | -        | -   | 16    |      |
|                     | Peripheral module clock (PCLKB)*4     | 2.7 to 5.5 V |        | -        | -   | 32    |      |
|                     |                                       | 2.4 to 2.7 V |        | -        | -   | 16    |      |
|                     | Peripheral module clock (PCLKC)*3, *4 | 2.7 to 5.5 V |        | -        | -   | 64    |      |
|                     |                                       | 2.4 to 2.7 V |        | -        | -   | 16    |      |
|                     | Peripheral module clock (PCLKD)*4     | 2.7 to 5.5 V |        | -        | -   | 64    |      |
|                     |                                       | 2.4 to 2.7 V |        | -        | -   | 16    |      |
|                     | External bus clock (BCLK)*4           | 2.7 to 5.5 V |        | -        | -   | 24    |      |
|                     |                                       | 2.4 to 2.7 V |        | -        | -   | 16    |      |
|                     | EBCLK pin output                      | 2.7 to 5.5 V |        | -        | -   | 12    |      |
|                     |                                       | 2.4 to 2.7 V |        | -        | -   | 8     |      |

- Note 1. The lower-limit frequency of FCLK is 1 MHz while programming or erasing the flash memory. When using FCLK for programming or erasing the flash memory at below 4 MHz, the frequency can be set to 1 MHz, 2 MHz, or 3 MHz. A non-integer frequency such as 1.5 MHz cannot be set.
- Note 2. The frequency accuracy of FCLK must be  $\pm 3.5\%$  while programming or erasing the flash memory. Confirm the frequency accuracy of the clock source.
- Note 3. The lower-limit frequency of PCLKC is 4 MHz at 2.4 V or above and 1 MHz at below 2.4 V when the 14-bit A/D converter is in use.
- Note 4. See section 9, Clock Generation Circuit in User's Manual for the relationship of frequencies between ICLK, PCLKA, PCLKB, PCLKC, PCLKD, FCLK, and BCLK.
- Note 5. The maximum value of operation frequency does not include the internal oscillator errors. The operation can be guaranteed with the errors of the internal oscillator. For details on the range for guaranteed operation, see [Table 2.22, Clock timing](#) in User's Manual.

**Table 2.18 Operation frequency value in Middle-speed mode**

Conditions: VCC = AVCC0 = 1.8 to 5.5 V

| Parameter           |                                       |              | Symbol | Min      | Typ | Max*5 | Unit |
|---------------------|---------------------------------------|--------------|--------|----------|-----|-------|------|
| Operation frequency | System clock (ICLK)*4                 | 2.7 to 5.5 V | f      | 0.032768 | -   | 12    | MHz  |
|                     |                                       | 2.4 to 2.7 V |        | 0.032768 | -   | 12    |      |
|                     |                                       | 1.8 to 2.4 V |        | 0.032768 | -   | 8     |      |
|                     | FlashIF clock (FCLK)*1, *2, *4        | 2.7 to 5.5 V |        | 0.032768 | -   | 12    |      |
|                     |                                       | 2.4 to 2.7 V |        | 0.032768 | -   | 12    |      |
|                     |                                       | 1.8 to 2.4 V |        | 0.032768 | -   | 8     |      |
|                     | Peripheral module clock (PCLKA)*4     | 2.7 to 5.5 V |        | -        | -   | 12    |      |
|                     |                                       | 2.4 to 2.7 V |        | -        | -   | 12    |      |
|                     |                                       | 1.8 to 2.4 V |        | -        | -   | 8     |      |
|                     | Peripheral module clock (PCLKB)*4     | 2.7 to 5.5 V |        | -        | -   | 12    |      |
|                     |                                       | 2.4 to 2.7 V |        | -        | -   | 12    |      |
|                     |                                       | 1.8 to 2.4 V |        | -        | -   | 8     |      |
|                     | Peripheral module clock (PCLKC)*3, *4 | 2.7 to 5.5 V |        | -        | -   | 12    |      |
|                     |                                       | 2.4 to 2.7 V |        | -        | -   | 12    |      |
|                     |                                       | 1.8 to 2.4 V |        | -        | -   | 8     |      |
|                     | Peripheral module clock (PCLKD)*4     | 2.7 to 5.5 V |        | -        | -   | 12    |      |
|                     |                                       | 2.4 to 2.7 V |        | -        | -   | 12    |      |
|                     |                                       | 1.8 to 2.4 V |        | -        | -   | 8     |      |
|                     | External bus clock (BCLK)*4           | 2.7 to 5.5 V |        | -        | -   | 12    |      |
|                     |                                       | 2.4 to 2.7 V |        | -        | -   | 12    |      |
|                     |                                       | 1.8 to 2.4 V |        | -        | -   | 8     |      |
| EBCLK pin output    | 2.7 to 3.6 V                          | -            | -      | 12       |     |       |      |
|                     | 2.4 to 2.7 V                          | -            | -      | 8        |     |       |      |
|                     | 1.8 to 2.4 V                          | -            | -      | 8        |     |       |      |

Note 1. The lower-limit frequency of FCLK is 1 MHz while programming or erasing the flash memory. When using FCLK for programming or erasing the flash memory at below 4 MHz, the frequency can be set to 1 MHz, 2 MHz, or 3 MHz. A non-integer frequency such as 1.5 MHz cannot be set.

Note 2. The frequency accuracy of FCLK must be  $\pm 3.5\%$  while programming or erasing the flash memory. Confirm the frequency accuracy of the clock source.

Note 3. The lower-limit frequency of PCLKC is 4 MHz at 2.4 V or above and 1 MHz at below 2.4 V when the 14-bit A/D converter is in use.

Note 4. See section 9, Clock Generation Circuit in User's Manual for the relationship of frequencies between ICLK, PCLKA, PCLKB, PCLKC, PCLKD, FCLK, and BCLK.

Note 5. The maximum value of operation frequency does not include errors of the internal oscillator. The operation can be guaranteed with errors of the internal oscillator. For details on the range for guaranteed operation, see [Table 2.22, Clock timing](#).

**Table 2.19 Operation frequency value in Low-speed mode**

Conditions: VCC = AVCC0 = 1.8 to 5.5 V

| Parameter           |                                       |              | Symbol | Min      | Typ | Max*4 | Unit |
|---------------------|---------------------------------------|--------------|--------|----------|-----|-------|------|
| Operation frequency | System clock (ICLK)*3                 | 1.8 to 5.5 V | f      | 0.032768 | -   | 1     | MHz  |
|                     | FlashIF clock (FCLK)*1, *3            | 1.8 to 5.5 V |        | 0.032768 | -   | 1     |      |
|                     | Peripheral module clock (PCLKA)*3     | 1.8 to 5.5 V |        | -        | -   | 1     |      |
|                     | Peripheral module clock (PCLKB)*3     | 1.8 to 5.5 V |        | -        | -   | 1     |      |
|                     | Peripheral module clock (PCLKC)*2, *3 | 1.8 to 5.5 V |        | -        | -   | 1     |      |
|                     | Peripheral module clock (PCLKD)*3     | 1.8 to 5.5 V |        | -        | -   | 1     |      |
|                     | External bus clock (BCLK)*3           | 1.8 to 5.5 V |        | -        | -   | 1     |      |
|                     | EBCLK pin output                      | 1.8 to 5.5 V |        | -        | -   | 1     |      |

Note 1. The lower-limit frequency of FCLK is 1 MHz while programming or erasing the flash memory.

Note 2. The lower-limit frequency of PCLKC is 1 MHz when the A/D converter is in use.

- Note 3. See section 9, Clock Generation Circuit in User's Manual for the relationship of frequencies between ICLK, PCLKA, PCLKB, PCLKC, PCLKD, FCLK, and BCLK.
- Note 4. The maximum value of operation frequency does not include the internal oscillator errors. The operation can be guaranteed with the errors of the internal oscillator. For details on the range for guaranteed operation, see [Table 2.22, Clock timing](#).

**Table 2.20 Operation frequency value in Low-voltage mode**

Conditions: VCC = AVCC0 = 1.6 to 5.5 V

| Parameter           |                                       |              | Symbol | Min      | Typ | Max*5 | Unit |
|---------------------|---------------------------------------|--------------|--------|----------|-----|-------|------|
| Operation frequency | System clock (ICLK)*4                 | 1.6 to 5.5 V | f      | 0.032768 | -   | 4     | MHz  |
|                     | FlashIF clock (FCLK)*1, *2, *4        | 1.6 to 5.5 V |        | 0.032768 | -   | 4     |      |
|                     | Peripheral module clock (PCLKA)*4     | 1.6 to 5.5 V |        | -        | -   | 4     |      |
|                     | Peripheral module clock (PCLKB)*4     | 1.6 to 5.5 V |        | -        | -   | 4     |      |
|                     | Peripheral module clock (PCLKC)*3, *4 | 1.6 to 5.5 V |        | -        | -   | 4     |      |
|                     | Peripheral module clock (PCLKD)*4     | 1.6 to 5.5 V |        | -        | -   | 4     |      |
|                     | External bus clock (BCLK)*4           | 1.6 to 5.5 V |        | -        | -   | 4     |      |
|                     | EBCLK pin output                      | 1.8 to 5.5 V |        | -        | -   | 4     |      |
| 1.6 to 1.8 V        |                                       | -            | -      | 2        |     |       |      |

- Note 1. The lower-limit frequency of FCLK is 1 MHz while programming or erasing the flash memory. When using FCLK for programming or erasing the flash memory at below 4 MHz, the frequency can be set to 1 MHz, 2 MHz, or 3 MHz. A non-integer frequency such as 1.5 MHz cannot be set.
- Note 2. The frequency accuracy of FCLK must be  $\pm 3.5\%$  while programming or erasing the flash memory. Confirm the frequency accuracy of the clock source.
- Note 3. The lower-limit frequency of PCLKC is 4 MHz at 2.4 V or above and 1 MHz at below 2.4 V when the 14-bit A/D converter is in use.
- Note 4. See section 9, Clock Generation Circuit in User's Manual for the relationship of frequencies between ICLK, PCLKA, PCLKB, PCLKC, PCLKD, FCLK, and BCLK.
- Note 5. The maximum value of operation frequency does not include errors of the internal oscillator. The operation can be guaranteed with the errors of the internal oscillator. For details on the range for guaranteed operation, see [Table 2.22, Clock timing](#).

**Table 2.21 Operation frequency value in Subosc-speed mode**

Conditions: VCC = AVCC0 = 1.8 to 5.5 V

| Parameter           |                                       |              | Symbol | Min     | Typ    | Max     | Unit |
|---------------------|---------------------------------------|--------------|--------|---------|--------|---------|------|
| Operation frequency | System clock (ICLK)*3                 | 1.8 to 5.5 V | f      | 27.8528 | 32.768 | 37.6832 | kHz  |
|                     | FlashIF clock (FCLK)*1, *3            | 1.8 to 5.5 V |        | 27.8528 | 32.768 | 37.6832 |      |
|                     | Peripheral module clock (PCLKA)*3     | 1.8 to 5.5 V |        | -       | -      | 37.6832 |      |
|                     | Peripheral module clock (PCLKB)*3     | 1.8 to 5.5 V |        | -       | -      | 37.6832 |      |
|                     | Peripheral module clock (PCLKC)*2, *3 | 1.8 to 5.5 V |        | -       | -      | 37.6832 |      |
|                     | Peripheral module clock (PCLKD)*3     | 1.8 to 5.5 V |        | -       | -      | 37.6832 |      |
|                     | External bus clock (BCLK)*3           | 1.8 to 5.5 V |        | -       | -      | 37.6832 |      |
|                     | EBCLK pin output                      | 1.8 to 5.5 V |        | -       | -      | 37.6832 |      |

- Note 1. Programming and erasing the flash memory are not possible.
- Note 2. The 14-bit A/D converter cannot be used.
- Note 3. See section 9, Clock Generation Circuit in User's Manual for the relationship of frequencies between ICLK, PCLKA, PCLKB, PCLKC, PCLKD, FCLK, and BCLK.



## 2.3.2 Clock Timing

Table 2.22 Clock timing (1 of 2)

| Parameter  |                      | Symbol          | Min     | Typ    | Max     | Unit    | Test conditions           |
|--|----------------------|-----------------|---------|--------|---------|---------|---------------------------|
| EBCLK pin output cycle time                                | VCC = 2.7 V or above | $t_{Bcyc}$      | 83.3    | -      | -       | ns      | Figure 2.26               |
|  | VCC = 1.8 V or above |                 | 125     | -      | -       |         |                           |
|  | VCC = 1.6 V or above |                 | 500     | -      | -       |         |                           |
| EBCLK pin output high pulse width                          | VCC = 2.7 V or above | $t_{CH}$        | 20      | -      | -       | ns      |                           |
|  | VCC = 1.8 V or above |                 | 30      | -      | -       |         |                           |
|  | VCC = 1.6 V or above |                 | 150     | -      | -       |         |                           |
| EBCLK pin output low pulse width                           | VCC = 2.7 V or above | $t_{CL}$        | 20      | -      | -       | ns      |                           |
|  | VCC = 1.8 V or above |                 | 30      | -      | -       |         |                           |
|  | VCC = 1.6 V or above |                 | 150     | -      | -       |         |                           |
| EBCLK pin output rise time                                 | VCC = 2.7 V or above | $t_{Cr}$        | -       | -      | 15      | ns      |                           |
|  | VCC = 2.4 V or above |                 | -       | -      | 25      |         |                           |
|  | VCC = 1.8 V or above |                 | -       | -      | 30      |         |                           |
|  | VCC = 1.6 V or above |                 | -       | -      | 50      |         |                           |
| EBCLK pin output fall time                                 | VCC = 2.7 V or above | $t_{Cf}$        | -       | -      | 15      | ns      |                           |
|  | VCC = 2.4 V or above |                 | -       | -      | 25      |         |                           |
|  | VCC = 1.8 V or above |                 | -       | -      | 30      |         |                           |
|  | VCC = 1.6 V or above |                 | -       | -      | 50      |         |                           |
| EXTAL external clock input cycle time                      |                      | $t_{Xcyc}$      | 50      | -      | -       | ns      | Figure 2.27               |
| EXTAL external clock input high pulse width                |                      | $t_{XH}$        | 20      | -      | -       | ns      |                           |
| EXTAL external clock input low pulse width                 |                      | $t_{XL}$        | 20      | -      | -       | ns      |                           |
| EXTAL external clock rising time                           |                      | $t_{Xr}$        | -       | -      | 5       | ns      |                           |
| EXTAL external clock falling time                          |                      | $t_{Xf}$        | -       | -      | 5       | ns      |                           |
| EXTAL external clock input wait time*1                     |                      | $t_{EXWT}$      | 0.3     | -      | -       | $\mu$ s |                           |
| EXTAL external clock input frequency                       |                      | $f_{EXTAL}$     | -       | -      | 20      | MHz     | 2.4 $\leq$ VCC $\leq$ 5.5 |
|  |                      |                 | -       | -      | 8       |         | 1.8 $\leq$ VCC < 2.4      |
|  |                      |                 | -       | -      | 1       |         | 1.6 $\leq$ VCC < 1.8      |
| Main clock oscillator oscillation frequency                |                      | $f_{MAIN}$      | 1       | -      | 20      | MHz     | 2.4 $\leq$ VCC $\leq$ 5.5 |
|  |                      |                 | 1       | -      | 8       |         | 1.8 $\leq$ VCC < 2.4      |
|  |                      |                 | 1       | -      | 4       |         | 1.6 $\leq$ VCC < 1.8      |
| Main clock oscillation stabilization wait time (crystal)*9 |                      | $t_{MAINOSCWT}$ | -       | -      | -*9     | ms      | -                         |
| LOCO clock oscillation frequency                           |                      | $f_{LOCO}$      | 27.8528 | 32.768 | 37.6832 | kHz     | -                         |
| LOCO clock oscillation stabilization time                  |                      | $t_{LOCO}$      | -       | -      | 100     | $\mu$ s | Figure 2.28               |
| IWDT-dedicated clock oscillation frequency                 |                      | $f_{ILOCO}$     | 12.75   | 15     | 17.25   | kHz     | -                         |
| MOCO clock oscillation frequency                           |                      | $f_{MOCO}$      | 6.8     | 8      | 9.2     | MHz     | -                         |
| MOCO clock oscillation stabilization time                  |                      | $t_{MOCO}$      | -       | -      | 1       | $\mu$ s | -                         |

Table 2.22 Clock timing (2 of 2)

| Parameter                                  | Symbol  | Min                     | Typ                 | Max   | Unit  | Test conditions                      |    |             |
|--|---|-------------------------|---------------------|-------|-------|--------------------------------------|----|-------------|
| HOCO clock oscillation frequency           | $f_{\text{HOCO}24}$                             | 23.64                   | 24                  | 24.36 | MHz   | Ta = -40 to -20°C<br>1.8 ≤ VCC ≤ 5.5 |    |             |
|  |   | 22.68                   | 24                  | 25.32 |       | Ta = -40 to 85°C<br>1.6 ≤ VCC < 1.8  |    |             |
|  |   | 23.76                   | 24                  | 24.24 |       | Ta = -20 to 85°C<br>1.8 ≤ VCC ≤ 5.5  |    |             |
|  |   | 23.52                   | 24                  | 24.48 |       | Ta = 85 to 105°C<br>2.4 ≤ VCC ≤ 5.5  |    |             |
|  | $f_{\text{HOCO}32}$                             | 31.52                   | 32                  | 32.48 |       | Ta = -40 to -20°C<br>1.8 ≤ VCC ≤ 5.5 |    |             |
|  |   | 30.24                   | 32                  | 33.76 |       | Ta = -40 to 85°C<br>1.6 ≤ VCC < 1.8  |    |             |
|  |   | 31.68                   | 32                  | 32.32 |       | Ta = -20 to 85°C<br>1.8 ≤ VCC ≤ 5.5  |    |             |
|  |   | 31.36                   | 32                  | 32.64 |       | Ta = 85 to 105°C<br>2.4 ≤ VCC ≤ 5.5  |    |             |
|  | $f_{\text{HOCO}48}^{*4}$                        | 47.28                   | 48                  | 48.72 |       | Ta = -40 to -20°C<br>1.8 ≤ VCC ≤ 5.5 |    |             |
|  |   | 47.52                   | 48                  | 48.48 |       | Ta = -20 to 85°C<br>1.8 ≤ VCC ≤ 5.5  |    |             |
|  |   | 47.04                   | 48                  | 48.96 |       | Ta = 85 to 105°C<br>2.4 ≤ VCC ≤ 5.5  |    |             |
|  | $f_{\text{HOCO}64}^{*5}$                        | 63.04                   | 64                  | 64.96 |       | Ta = -40 to -20°C<br>2.4 ≤ VCC ≤ 5.5 |    |             |
|  |   | 63.36                   | 64                  | 64.64 |       | Ta = -20 to 85°C<br>2.4 ≤ VCC ≤ 5.5  |    |             |
|  |   | 62.72                   | 64                  | 65.28 |       | Ta = 85 to 105°C<br>2.4 ≤ VCC ≤ 5.5  |    |             |
|  | HOCO clock oscillation stabilization time*6, *7 | Except Low-voltage mode | $t_{\text{HOCO}24}$ | -     |       | -                                    | μs | Figure 2.29 |
|  |   |                         | $t_{\text{HOCO}32}$ | -     |       | -                                    |    |             |
| $t_{\text{HOCO}48}$                        |   |                         | -                   | -     |       |                                      |    |             |
| $t_{\text{HOCO}64}$                        |   |                         | -                   | -     |       |                                      |    |             |
| Low-voltage mode                           |   | $t_{\text{HOCO}24}$     | -                   | -     | 100.9 |                                      |    |             |
|  |   | $t_{\text{HOCO}32}$     | -                   | -     |       |                                      |    |             |
|  |   | $t_{\text{HOCO}48}$     | -                   | -     |       |                                      |    |             |
|  |   | $t_{\text{HOCO}64}$     | -                   | -     |       |                                      |    |             |
| PLL input frequency*2                      | $f_{\text{PLLIN}}$                              | 4                       | -                   | 12.5  | MHz   | -                                    |    |             |
| PLL circuit oscillation frequency*2        | $f_{\text{PLL}}$                                | 24                      | -                   | 64    | MHz   | -                                    |    |             |
| PLL clock oscillation stabilization time*8 | $t_{\text{PLL}}$                                | -                       | -                   | 55.5  | μs    | Figure 2.31                          |    |             |
| PLL free-running oscillation frequency     | $f_{\text{PLLFR}}$                              | -                       | 8                   | -     | MHz   | -                                    |    |             |
| Sub-clock oscillator oscillation frequency | $f_{\text{SUB}}$                                | -                       | 32.768              | -     | kHz   | -                                    |    |             |
| Sub-clock oscillation stabilization time*3 | $t_{\text{SUBOSC}}$                             | -                       | -                   | -*3   | s     | Figure 2.32                          |    |             |

Note 1. Time until the clock can be used after the Main Clock Oscillator Stop bit (MOSCCR.MOSTP) is set to 0 (operating) when the external clock is stable.

Note 2. The VCC range that the PLL can be used is 2.4 to 5.5 V.

Note 3. After changing the setting of the SOSCCR.SOSTP bit so that the sub-clock oscillator operates, only start using the sub-clock oscillator after the sub-clock oscillation stabilization wait time elapsed. Use the oscillator wait time recommended by the oscillator manufacturer.

Note 4. The 48-MHz HOCO can be used within a VCC range of 1.8 V to 5.5 V.

Note 5. The 64-MHz HOCO can be used within a VCC range of 2.4 V to 5.5 V.

Note 6. This is a characteristic when HOCOCCR.HCSTP bit is set to 0 (oscillation) in MOCO stop state.

When HOCOCCR.HCSTP bit is set to 0 (oscillation) during MOCO oscillation, this specification is shortened by 1 μs.

Note 7. Whether stabilization time has elapsed can be confirmed by OCSF.HOCOSF.

Note 8. This is a characteristic when PLLCR.PLLSTP bit is set to 0 (operation) in MOCO stop state.

When PLLCR.PLLSTP bit is set to 0 (operation) during MOCO oscillation, this specification is shortened by 1 μs.

Note 9. When setting up the main clock, ask the oscillator manufacturer for an oscillation evaluation and use the results as the recommended oscillation stabilization time. Set the MOSCWTCR register to a value equal to or greater than the recommended stabilization time. After changing the setting of the MOSCCR.MOSTP bit so that the main clock oscillator operates, read the OCSF.MOSCSF flag to confirm that it is 1, then start using the main clock.

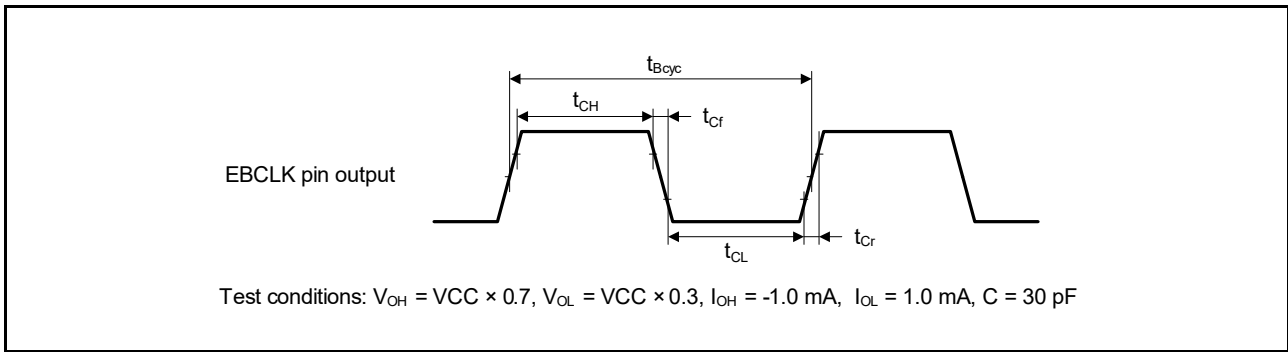


Figure 2.26 EBCLK pin output timing

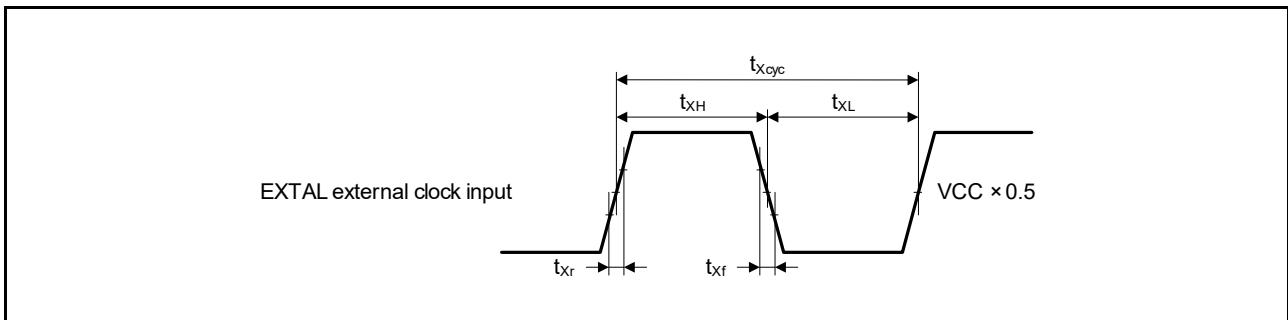


Figure 2.27 EXTAL external clock input timing

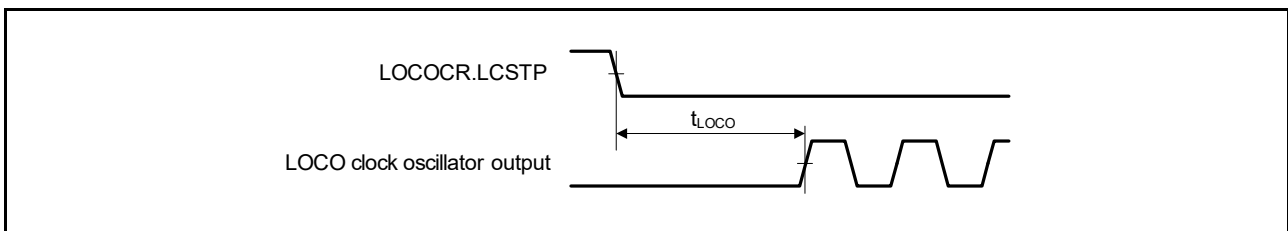


Figure 2.28 LOCO clock oscillator start timing

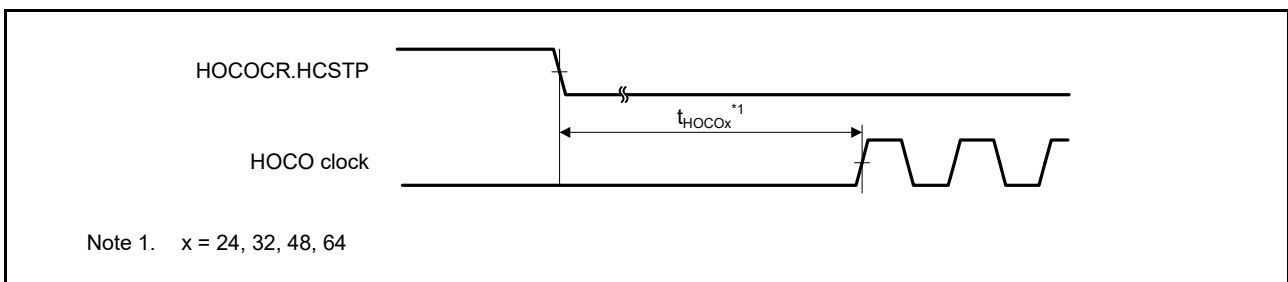


Figure 2.29 HOCO clock oscillator start timing (started by setting HOCOCR.HCSTP bit)

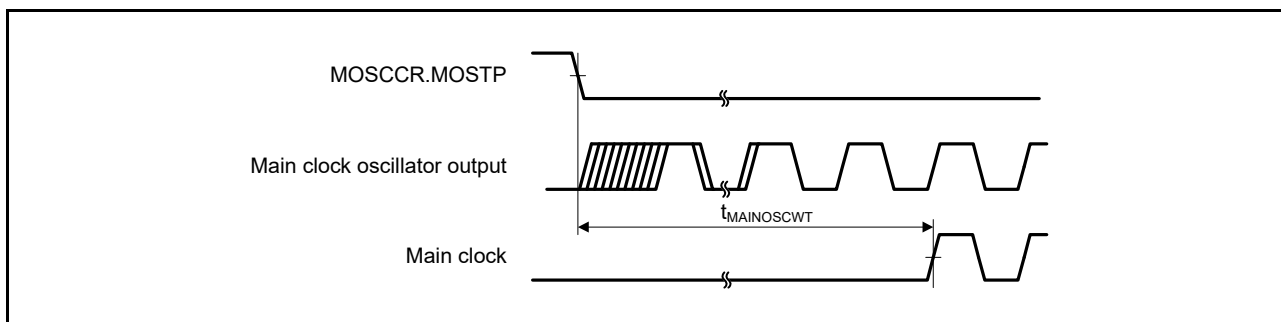


Figure 2.30 Main clock oscillation start timing

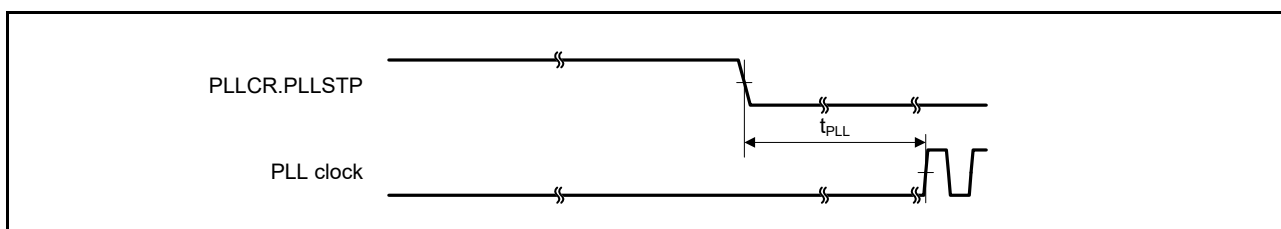


Figure 2.31 PLL clock oscillation start timing (PLL is operated after main clock oscillation has settled)

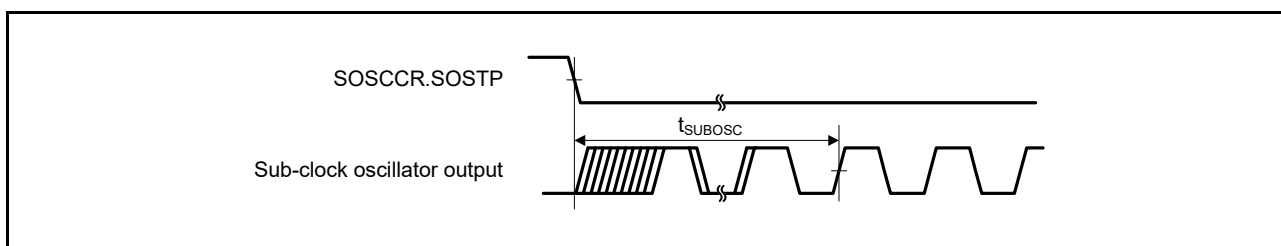


Figure 2.32 Sub-clock oscillation start timing

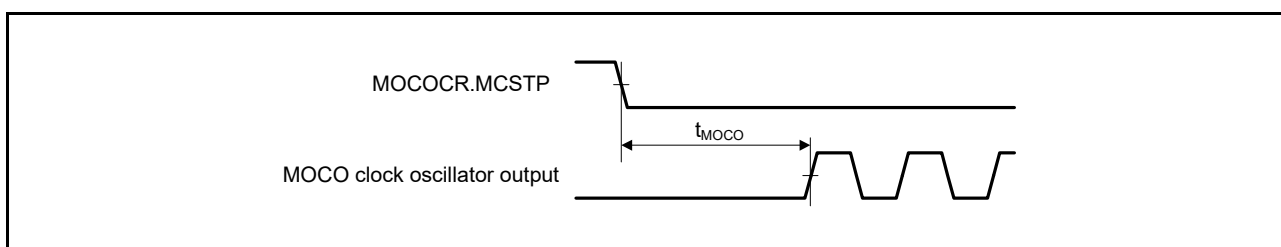


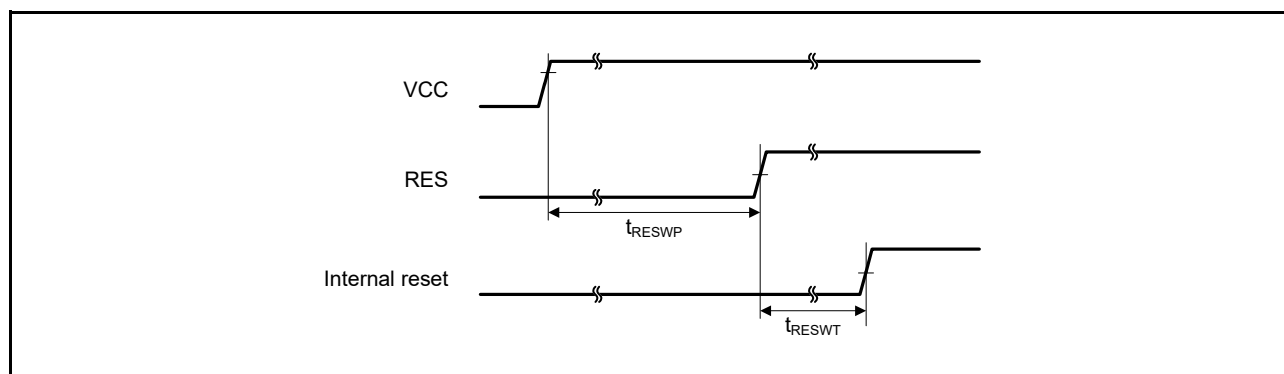
Figure 2.33 MOCO clock oscillation start timing

### 2.3.3 Reset Timing

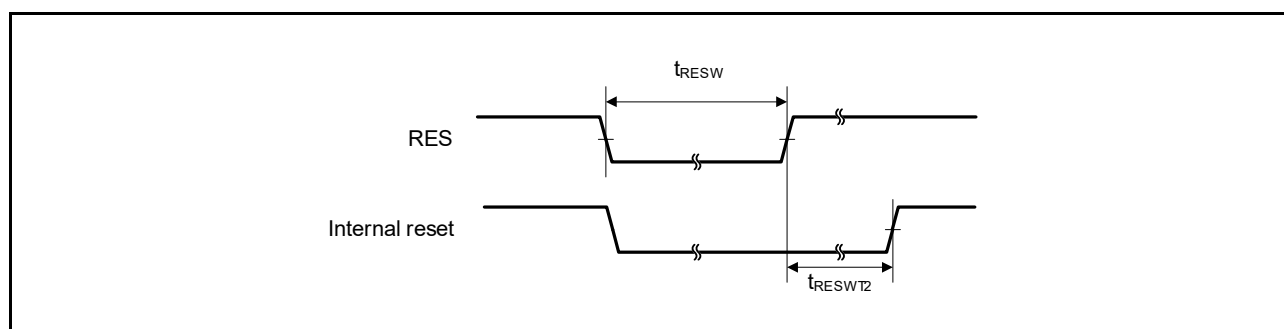
**Table 2.23 Reset timing**

| Parameter  |                  | Symbol       | Min | Typ  | Max | Unit    | Test conditions |
|--|------------------|--------------|-----|------|-----|---------|-----------------|
| RES pulse width  | At power-on      | $t_{RESWP}$  | 3   | -    | -   | ms      | Figure 2.34     |
|  | Other than above | $t_{RESW}$   | 30  | -    | -   | $\mu$ s | Figure 2.35     |
| Wait time after RES cancellation (at power-on)   | LVD0: enable*1   | $t_{RESWT}$  | -   | 0.7  | -   | ms      | Figure 2.34     |
|  | LVD0: disable*2  |              | -   | 0.3  | -   |         |                 |
| Wait time after RES cancellation (during powered-on state)   | LVD0: enable*1   | $t_{RESWT2}$ | -   | 0.5  | -   | ms      | Figure 2.35     |
|  | LVD0: disable*2  |              | -   | 0.05 | -   |         |                 |
| Internal reset cancellation time (Watchdog timer reset, SRAM parity error reset, SRAM ECC error reset, Bus master MPU error reset, Bus slave MPU error reset, Stack pointer error reset, Software reset) | LVD0: enable*1   | $t_{RESWT3}$ | -   | 0.6  | -   | ms      |                 |
|  | LVD0: disable*2  |              | -   | 0.15 | -   |         |                 |

Note 1. When OFS1.LVDAS = 0.  
 Note 2. When OFS1.LVDAS = 1.



**Figure 2.34 Reset input timing at power-on**



**Figure 2.35 Reset input timing (1)**

### 2.3.4 Wakeup Time

**Table 2.24 Timing of recovery from low power modes (1)**

| Parameter                                  |                 |  |  | Symbol             | Min                | Typ | Max | Unit | Test conditions |    |
|--|-----------------|--|--|--------------------|--------------------|-----|-----|------|-----------------|----|
| Recovery time from Software Standby mode*1 | High-speed mode | Crystal resonator connected to main clock oscillator | System clock source is main clock oscillator (20 MHz)*2          | t <sub>SBYMC</sub> | -                  | 2   | 3   | ms   | Figure 2.36     |    |
|  |                 |  | System clock source is PLL (48 MHz) with Main clock oscillator*2 | t <sub>SBYPC</sub> | -                  | 2   | 3   | ms   |                 |    |
|  |                 | External clock input to main clock oscillator        | System clock source is main clock oscillator (20 MHz)*3          | t <sub>SBYEX</sub> | -                  | 14  | 25  | μs   |                 |    |
|  |                 |  | System clock source is PLL (48 MHz) with Main clock oscillator*3 | t <sub>SBYPE</sub> | -                  | 53  | 76  | μs   |                 |    |
|  |                 | System clock source is HOCO*4 (HOCO clock is 32 MHz) |  |                    | t <sub>SBYHO</sub> | -   | 43  | 52   |                 | μs |
|  |                 | System clock source is HOCO*4 (HOCO clock is 48 MHz) |  |                    | t <sub>SBYHO</sub> | -   | 44  | 52   |                 | μs |
|  |                 | System clock source is HOCO*5 (HOCO clock is 64 MHz) |  |                    | t <sub>SBYHO</sub> | -   | 82  | 110  |                 | μs |
|  |                 | System clock source is MOCO                          |  |                    | t <sub>SBYMO</sub> | -   | 16  | 25   |                 | μs |

Note 1. The division ratio of ICK, BCK, FCK, and PCKx is the minimum division ratio within the allowable frequency range. The recovery time is determined by the system clock source.

Note 2. The Main Clock Oscillator Wait Control Register (MOSCWTCR) is set to 05h.

Note 3. The Main Clock Oscillator Wait Control Register (MOSCWTCR) is set to 00h.

Note 4. The HOCO Clock Wait Control Register (HOCOWTCR) is set to 05h.

Note 5. The HOCO Clock Wait Control Register (HOCOWTCR) is set to 06h.

**Table 2.25 Timing of recovery from low power modes (2)**

| Parameter                                  |                   |  |  | Symbol             | Min                | Typ | Max | Unit | Test conditions |    |
|--|-------------------|--|--|--------------------|--------------------|-----|-----|------|-----------------|----|
| Recovery time from Software Standby mode*1 | Middle-speed mode | Crystal resonator connected to main clock oscillator | System clock source is main clock oscillator (12 MHz)*2          | t <sub>SBYMC</sub> | -                  | 2   | 3   | ms   | Figure 2.36     |    |
|  |                   |  | System clock source is PLL (24 MHz) with main clock oscillator*2 | t <sub>SBYPC</sub> | -                  | 2   | 3   | ms   |                 |    |
|  |                   | External clock input to main clock oscillator        | System clock source is main clock oscillator (12 MHz)*3          | t <sub>SBYEX</sub> | -                  | 2.9 | 10  | μs   |                 |    |
|  |                   |  | System clock source is PLL (24 MHz) with main clock oscillator*3 | t <sub>SBYPE</sub> | -                  | 49  | 76  | μs   |                 |    |
|  |                   | System clock source is HOCO (24 MHz)                 |  |                    | t <sub>SBYHO</sub> | -   | 38  | 50   |                 | μs |
|  |                   | System clock source is MOCO                          |  |                    | t <sub>SBYMO</sub> | -   | 3.5 | 5.5  |                 | μs |

Note 1. The division ratio of ICK, BCK, FCK, and PCKx is the minimum division ratio within the allowable frequency range. The recovery time is determined by the system clock source.

Note 2. The Main Clock Oscillator Wait Control Register (MOSCWTCR) is set to 05h.

Note 3. The Main Clock Oscillator Wait Control Register (MOSCWTCR) is set to 00h.

**Table 2.26 Timing of recovery from low power modes (3)**

| Parameter                                  |                |  |  | Symbol      | Min | Typ | Max | Unit    | Test conditions |
|--|----------------|--|--|-------------|-----|-----|-----|---------|-----------------|
| Recovery time from Software Standby mode*1 | Low-speed mode | Crystal resonator connected to main clock oscillator | System clock source is main clock oscillator (1 MHz)*2 | $t_{SBYMC}$ | -   | 2   | 3   | ms      | Figure 2.36     |
|  |                | External clock input to main clock oscillator        | System clock source is main clock oscillator (1 MHz)*3 | $t_{SBYEX}$ | -   | 28  | 50  | $\mu$ s |                 |
|  |                | System clock source is MOCO                          |  | $t_{SBYMO}$ | -   | 25  | 35  | $\mu$ s |                 |

Note 1. The division ratio of ICK, BCK, FCK, and PCKx is the minimum division ratio within the allowable frequency range. The recovery time is determined by the system clock source.

Note 2. The Main Clock Oscillator Wait Control Register (MOSCWTCR) is set to 05h.

Note 3. The Main Clock Oscillator Wait Control Register (MOSCWTCR) is set to 00h.

**Table 2.27 Timing of recovery from low power modes (4)**

| Parameter                                  |                  |  |  | Symbol      | Min | Typ | Max | Unit    | Test conditions |
|--|------------------|--|--|-------------|-----|-----|-----|---------|-----------------|
| Recovery time from Software Standby mode*1 | Low-voltage mode | Crystal resonator connected to main clock oscillator | System clock source is main clock oscillator (4 MHz)*2 | $t_{SBYMC}$ | -   | 2   | 3   | ms      | Figure 2.36     |
|  |                  | External clock input to main clock oscillator        | System clock source is main clock oscillator (4 MHz)*3 | $t_{SBYEX}$ | -   | 108 | 130 | $\mu$ s |                 |
|  |                  | System clock source is HOCO                          |  | $t_{SBYHO}$ | -   | 108 | 130 | $\mu$ s |                 |

Note 1. The division ratio of ICK, BCK, FCK, and PCKx is the minimum division ratio within the allowable frequency range. The recovery time is determined by the system clock source. When multiple oscillators are active, the recovery time can be determined by the following expression.

Note 2. The Main Clock Oscillator Wait Control Register (MOSCWTCR) is set to 05h.

Note 3. The Main Clock Oscillator Wait Control Register (MOSCWTCR) is set to 00h.

**Table 2.28 Timing of recovery from low power modes (5)**

| Parameter                                  |                   |  | Symbol      | Min | Typ  | Max | Unit | Test conditions |
|--|-------------------|--|-------------|-----|------|-----|------|-----------------|
| Recovery time from Software Standby mode*1 | Subosc-speed mode | System clock source is sub-clock oscillator (32.768 kHz) | $t_{SBYSC}$ | -   | 0.85 | 1   | ms   | Figure 2.36     |
|  |                   | System clock source is LOCO (32.768 kHz)                 | $t_{SBYLO}$ | -   | 0.85 | 1.2 | ms   |                 |

Note 1. The sub-clock oscillator or LOCO itself continues to oscillate in Software Standby mode during Subosc-speed mode.

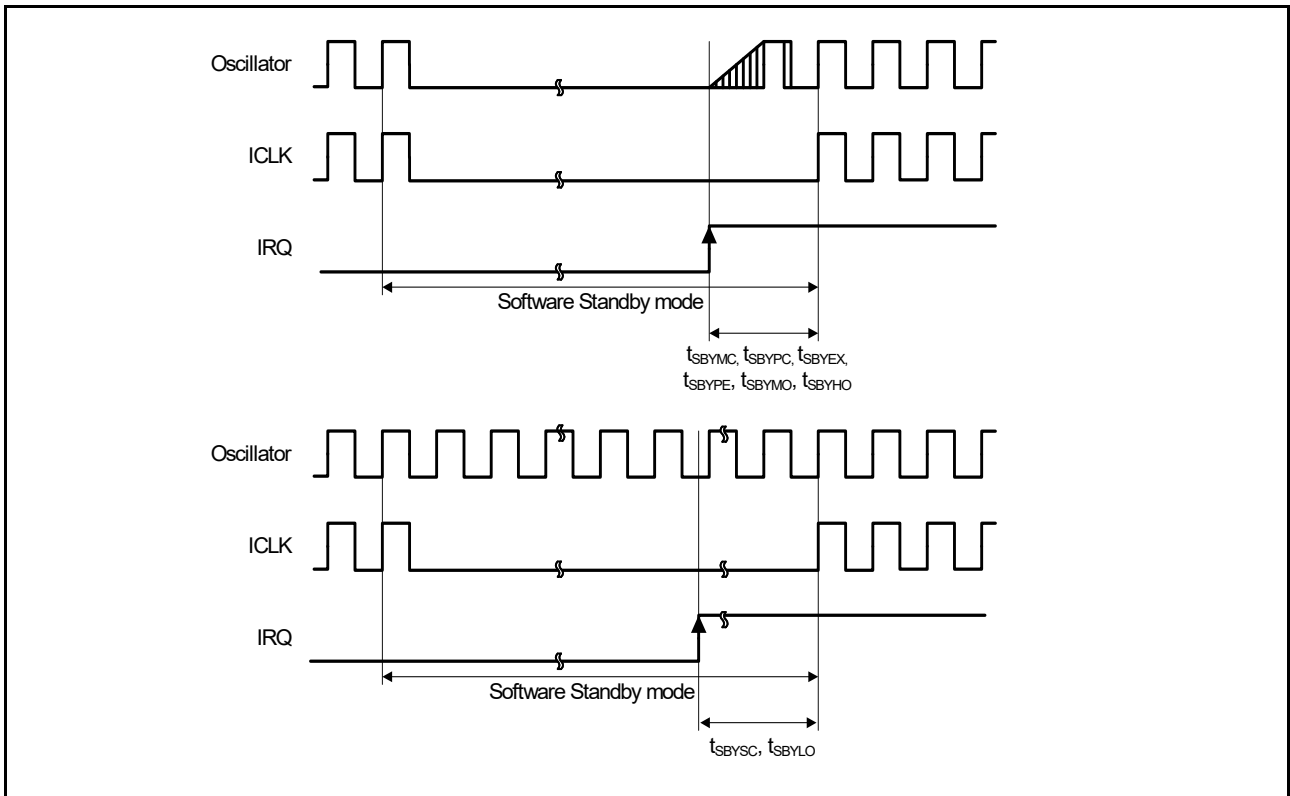


Figure 2.36 Software Standby mode cancellation timing

Table 2.29 Timing of recovery from low power modes (6)

| Parameter   |  | Symbol    | Min | Typ | Max | Unit    | Test conditions |
|---|--|-----------|-----|-----|-----|---------|-----------------|
| Recovery time from Software Standby mode to Snooze mode | High-speed mode<br>System clock source is HOCO   | $t_{SNZ}$ | -   | 36  | 45  | $\mu s$ | Figure 2.37     |
|   | Middle-speed mode<br>System clock source is MOCO | $t_{SNZ}$ | -   | 1.3 | 3.6 | $\mu s$ |                 |
|   | Low-speed mode<br>System clock source is MOCO    | $t_{SNZ}$ | -   | 10  | 13  | $\mu s$ |                 |
|   | Low-voltage mode<br>System clock source is HOCO  | $t_{SNZ}$ | -   | 87  | 110 | $\mu s$ |                 |

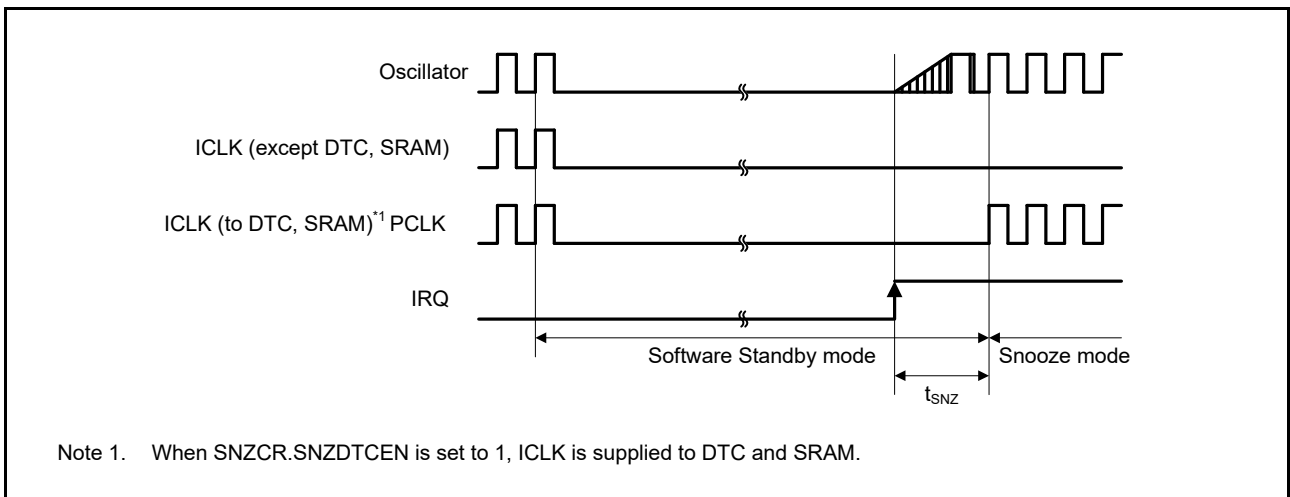


Figure 2.37 Recovery timing from Software Standby mode to Snooze mode



## 2.3.5 NMI and IRQ Noise Filter

Table 2.30 NMI and IRQ noise filter

| Parameter       | Symbol            | Min                                | Typ | Max | Unit | Test conditions             |   |
|-----------------|-------------------|------------------------------------|-----|-----|------|-----------------------------|---|
| NMI pulse width | $t_{\text{NMIW}}$ | 200                                | -   | -   | ns   | NMI digital filter disabled | $t_{\text{Pcyc}} \times 2 \leq 200$ ns  |
|                 |                   | $t_{\text{Pcyc}} \times 2^{*1}$    | -   | -   |      |                             | $t_{\text{Pcyc}} \times 2 > 200$ ns     |
|                 |                   | 200                                | -   | -   |      | NMI digital filter enabled  | $t_{\text{NMICK}} \times 3 \leq 200$ ns |
|                 |                   | $t_{\text{NMICK}} \times 3.5^{*2}$ | -   | -   |      |                             | $t_{\text{NMICK}} \times 3 > 200$ ns    |
| IRQ pulse width | $t_{\text{IRQW}}$ | 200                                | -   | -   | ns   | IRQ digital filter disabled | $t_{\text{Pcyc}} \times 2 \leq 200$ ns  |
|                 |                   | $t_{\text{Pcyc}} \times 2^{*1}$    | -   | -   |      |                             | $t_{\text{Pcyc}} \times 2 > 200$ ns     |
|                 |                   | 200                                | -   | -   |      | IRQ digital filter enabled  | $t_{\text{IRQCK}} \times 3 \leq 200$ ns |
|                 |                   | $t_{\text{IRQCK}} \times 3.5^{*3}$ | -   | -   |      |                             | $t_{\text{IRQCK}} \times 3 > 200$ ns    |

Note: 200 ns minimum in Software Standby mode.

Note 1.  $t_{\text{Pcyc}}$  indicates the cycle of PCLKB.

Note 2.  $t_{\text{NMICK}}$  indicates the cycle of the NMI digital filter sampling clock.

Note 3.  $t_{\text{IRQCK}}$  indicates the cycle of the IRQ<sub>i</sub> digital filter sampling clock (i = 0 to 15).

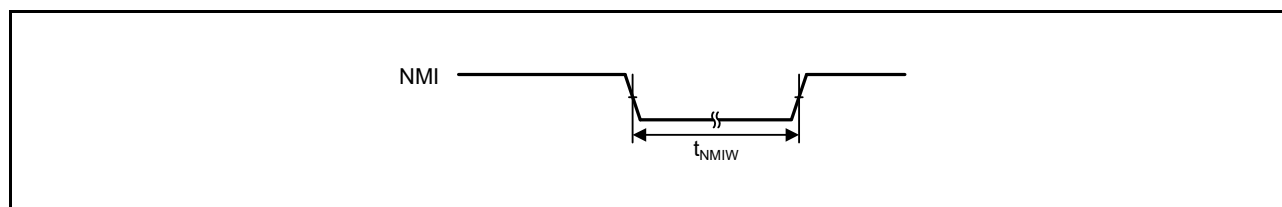


Figure 2.38 NMI interrupt input timing

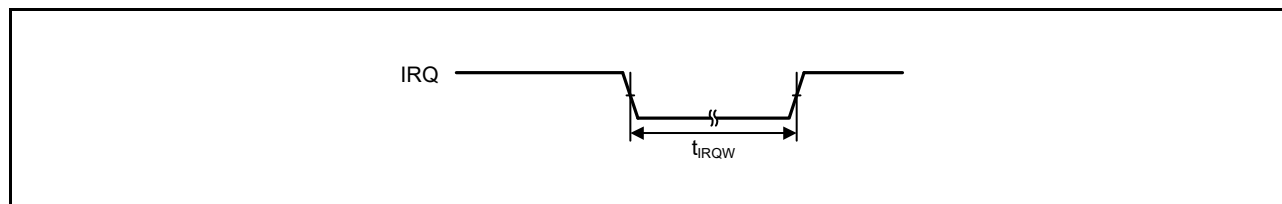


Figure 2.39 IRQ interrupt input timing

### 2.3.6 Bus Timing

**Table 2.31 Bus timing (1)**

Conditions: Low drive output is selected in the Port Drive Capability in PmnPFS register

VCC = 2.7 to 5.5 V

Output load conditions:  $V_{OH} = VCC \times 0.5$ ,  $V_{OL} = VCC \times 0.5$ ,  $C = 30$  pF

| Parameter            | Symbol     | Min | Max | Unit | Test conditions               |
|----------------------|------------|-----|-----|------|-------------------------------|
| Address delay        | $t_{AD}$   | -   | 55  | ns   | Figure 2.42<br>to Figure 2.45 |
| Byte control delay   | $t_{BCD}$  | -   | 55  | ns   |                               |
| CS delay             | $t_{CSD}$  | -   | 55  | ns   |                               |
| ALE delay time       | $t_{ALED}$ | -   | 55  | ns   |                               |
| RD delay             | $t_{RSD}$  | -   | 55  | ns   |                               |
| Read data setup time | $t_{RDS}$  | 37  | -   | ns   |                               |
| Read data hold time  | $t_{RDH}$  | 0   | -   | ns   |                               |
| WR delay             | $t_{WRD}$  | -   | 55  | ns   |                               |
| Write data delay     | $t_{WDD}$  | -   | 55  | ns   |                               |
| Write data hold time | $t_{WDH}$  | 0   | -   | ns   |                               |
| WAIT setup time      | $t_{WTS}$  | 37  | -   | ns   | Figure 2.46                   |
| WAIT hold time       | $t_{WTH}$  | 0   | -   | ns   |                               |

**Table 2.32 Bus timing (2)**

Conditions: Low drive output is selected in the Port Drive Capability in PmnPFS register

VCC = 2.4 to 2.7 V

Output load conditions:  $V_{OH} = VCC \times 0.5$ ,  $V_{OL} = VCC \times 0.5$ ,  $C = 30$  pF

| Parameter            | Symbol     | Min | Max | Unit | Test conditions               |
|----------------------|------------|-----|-----|------|-------------------------------|
| Address delay        | $t_{AD}$   | -   | 55  | ns   | Figure 2.42<br>to Figure 2.45 |
| Byte control delay   | $t_{BCD}$  | -   | 55  | ns   |                               |
| CS delay             | $t_{CSD}$  | -   | 55  | ns   |                               |
| ALE delay time       | $t_{ALED}$ | -   | 55  | ns   |                               |
| RD delay             | $t_{RSD}$  | -   | 55  | ns   |                               |
| Read data setup time | $t_{RDS}$  | 45  | -   | ns   |                               |
| Read data hold time  | $t_{RDH}$  | 0   | -   | ns   |                               |
| WR delay             | $t_{WRD}$  | -   | 55  | ns   |                               |
| Write data delay     | $t_{WDD}$  | -   | 55  | ns   |                               |
| Write data hold time | $t_{WDH}$  | 0   | -   | ns   |                               |
| WAIT setup time      | $t_{WTS}$  | 45  | -   | ns   | Figure 2.46                   |
| WAIT hold time       | $t_{WTH}$  | 0   | -   | ns   |                               |

**Table 2.33 Bus timing (3)**

Conditions: Low drive output is selected in the Port Drive Capability in PmnPFS register

VCC = 1.8 to 2.4 V

Output load conditions:  $V_{OH} = VCC \times 0.5$ ,  $V_{OL} = VCC \times 0.5$ ,  $C = 30$  pF

| Parameter            | Symbol     | Min | Max | Unit | Test conditions               |
|----------------------|------------|-----|-----|------|-------------------------------|
| Address delay        | $t_{AD}$   | -   | 90  | ns   | Figure 2.42<br>to Figure 2.45 |
| Byte control delay   | $t_{BCD}$  | -   | 90  | ns   |                               |
| CS delay             | $t_{CSD}$  | -   | 90  | ns   |                               |
| ALE delay time       | $t_{ALED}$ | -   | 90  | ns   |                               |
| RD delay             | $t_{RSD}$  | -   | 90  | ns   |                               |
| Read data setup time | $t_{RDS}$  | 70  | -   | ns   |                               |
| Read data hold time  | $t_{RDH}$  | 0   | -   | ns   |                               |
| WR delay             | $t_{WRD}$  | -   | 90  | ns   |                               |
| Write data delay     | $t_{WDD}$  | -   | 90  | ns   |                               |
| Write data hold time | $t_{WDH}$  | 0   | -   | ns   |                               |
| WAIT setup time      | $t_{WTS}$  | 70  | -   | ns   | Figure 2.46                   |
| WAIT hold time       | $t_{WTH}$  | 0   | -   | ns   |                               |

**Table 2.34 Bus timing (4)**

Conditions: Low drive output is selected in the Port Drive Capability in PmnPFS register

VCC = 1.6 to 1.8 V

Output load conditions:  $V_{OH} = VCC \times 0.5$ ,  $V_{OL} = VCC \times 0.5$ ,  $C = 30$  pF

| Parameter            | Symbol     | Min | Max | Unit | Test conditions               |
|----------------------|------------|-----|-----|------|-------------------------------|
| Address delay        | $t_{AD}$   | -   | 120 | ns   | Figure 2.42<br>to Figure 2.45 |
| Byte control delay   | $t_{BCD}$  | -   | 120 | ns   |                               |
| CS delay             | $t_{CSD}$  | -   | 120 | ns   |                               |
| ALE delay time       | $t_{ALED}$ | -   | 120 | ns   |                               |
| RD delay             | $t_{RSD}$  | -   | 120 | ns   |                               |
| Read data setup time | $t_{RDS}$  | 90  | -   | ns   |                               |
| Read data hold time  | $t_{RDH}$  | 0   | -   | ns   |                               |
| WR delay             | $t_{WRD}$  | -   | 120 | ns   |                               |
| Write data delay     | $t_{WDD}$  | -   | 120 | ns   |                               |
| Write data hold time | $t_{WDH}$  | 0   | -   | ns   |                               |
| WAIT setup time      | $t_{WTS}$  | 90  | -   | ns   | Figure 2.46                   |
| WAIT hold time       | $t_{WTH}$  | 0   | -   | ns   |                               |

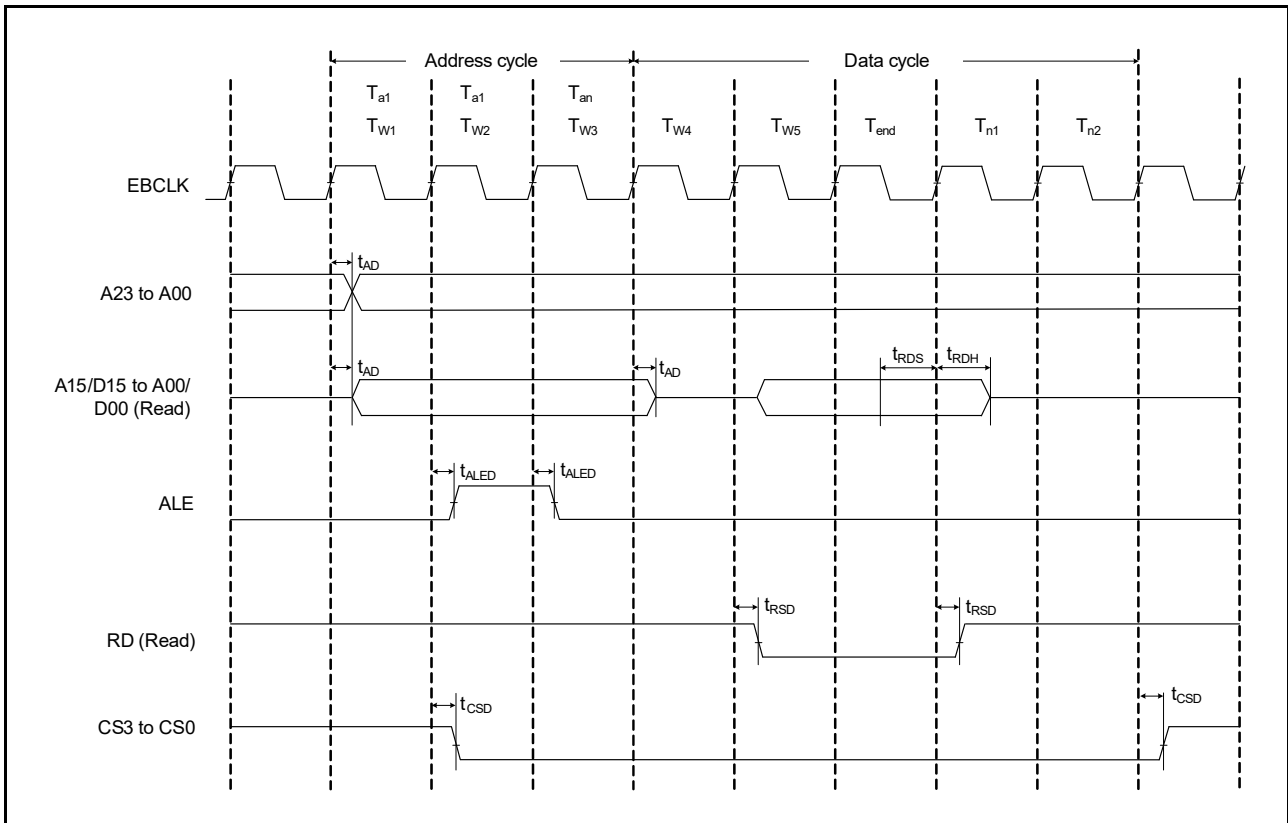


Figure 2.40 Address/data multiplexed bus read access timing

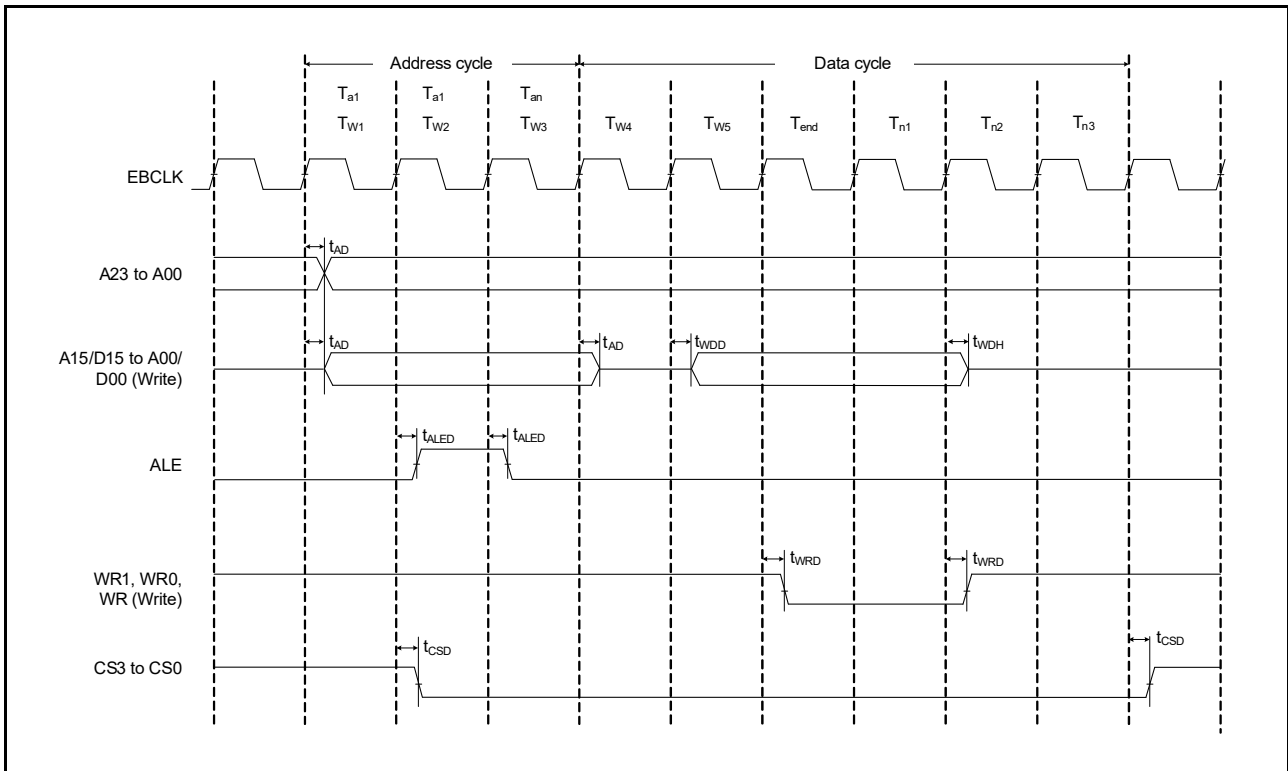


Figure 2.41 Address/data multiplexed bus write access timing

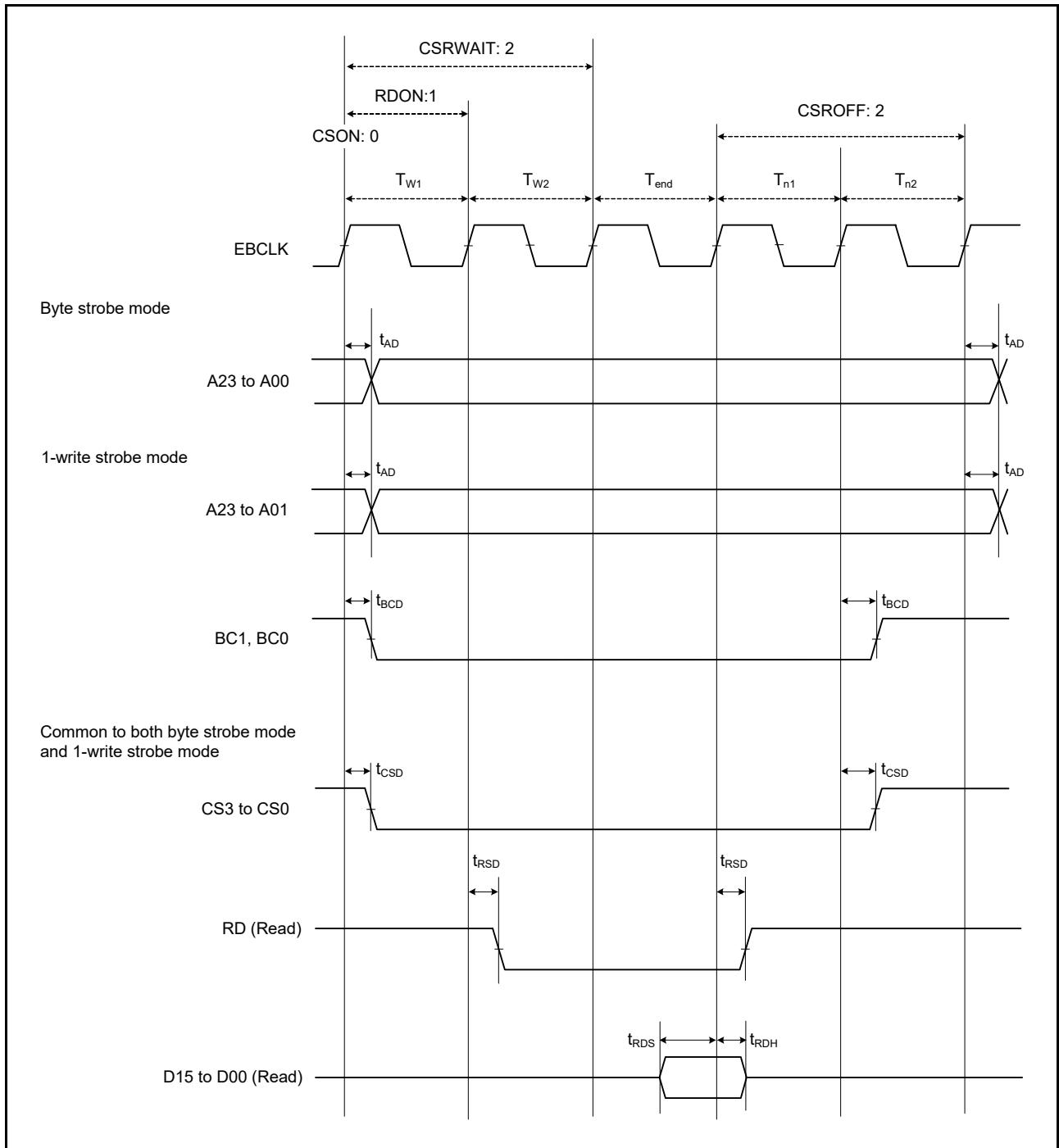


Figure 2.42 External bus timing/normal read cycle (bus clock synchronized)

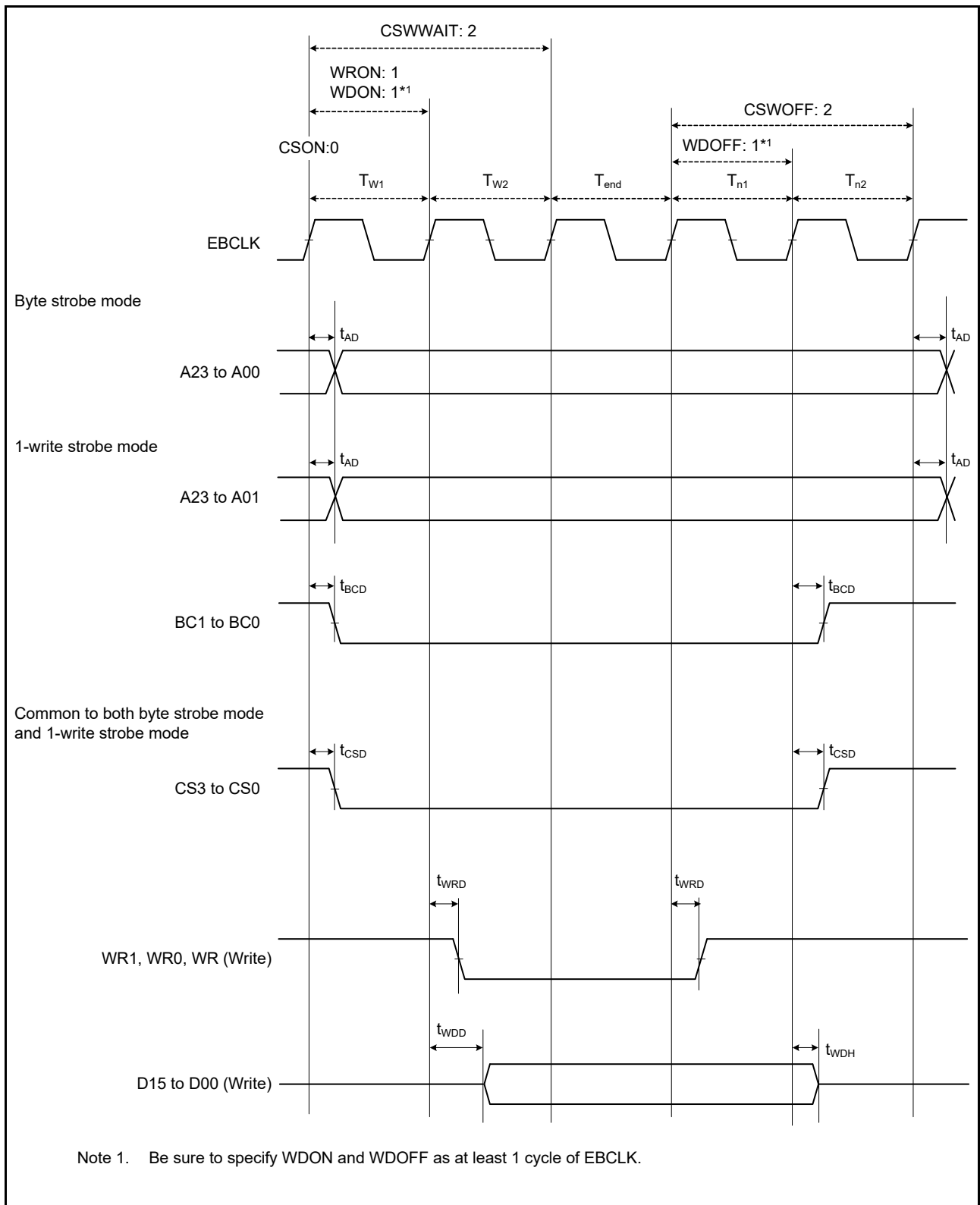


Figure 2.43 External bus timing/normal write cycle (bus clock synchronized)

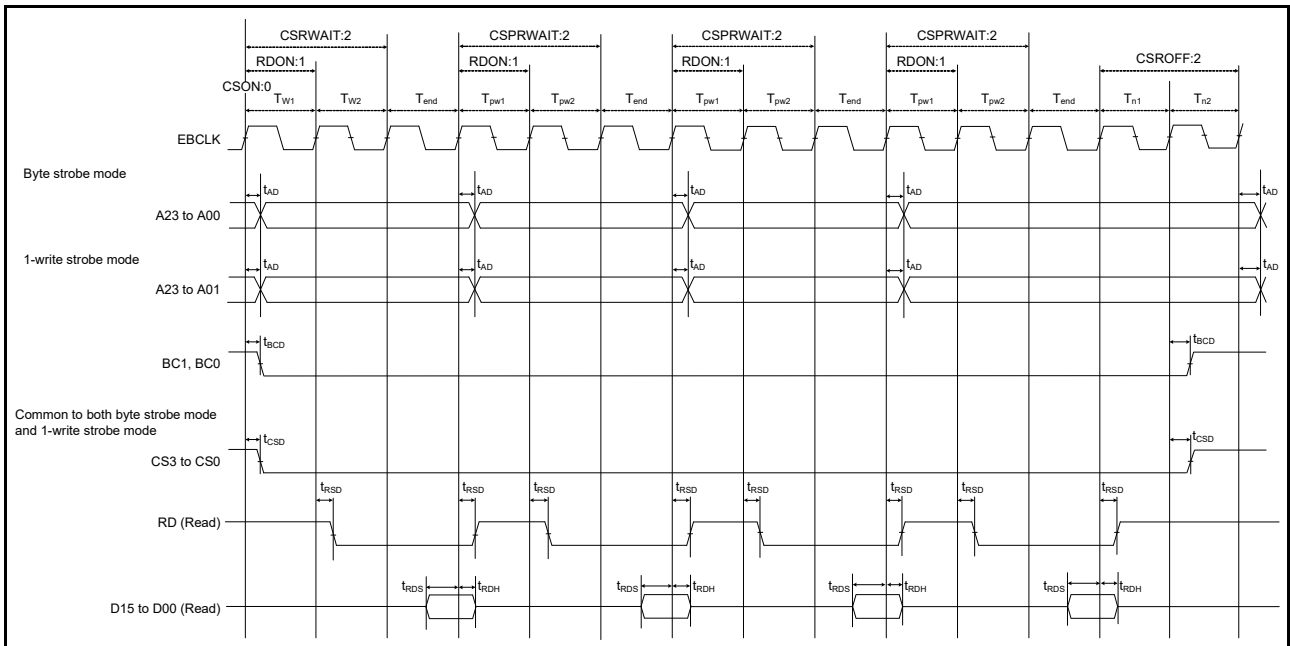
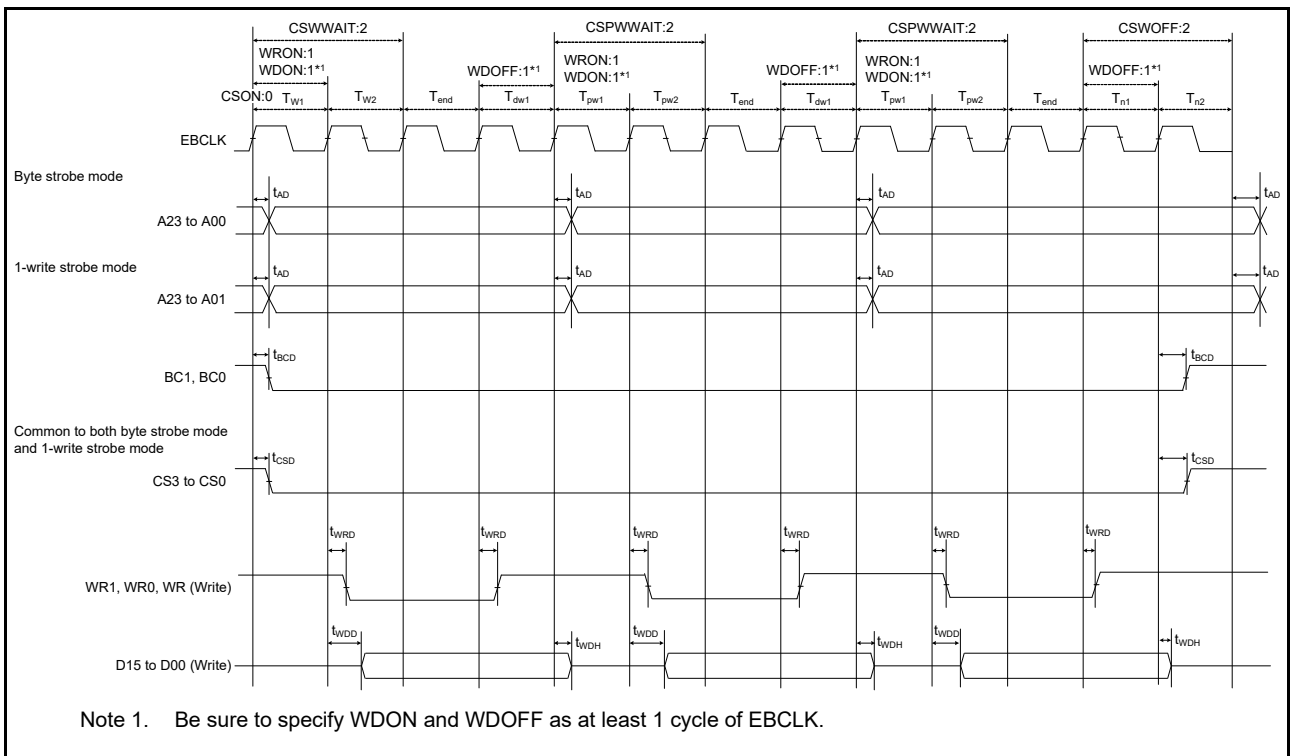


Figure 2.44 External bus timing/page read cycle (bus clock synchronized)



Note 1. Be sure to specify WDON and WDOFF as at least 1 cycle of EBCLK.

Figure 2.45 External bus timing/page write cycle (bus clock synchronized)

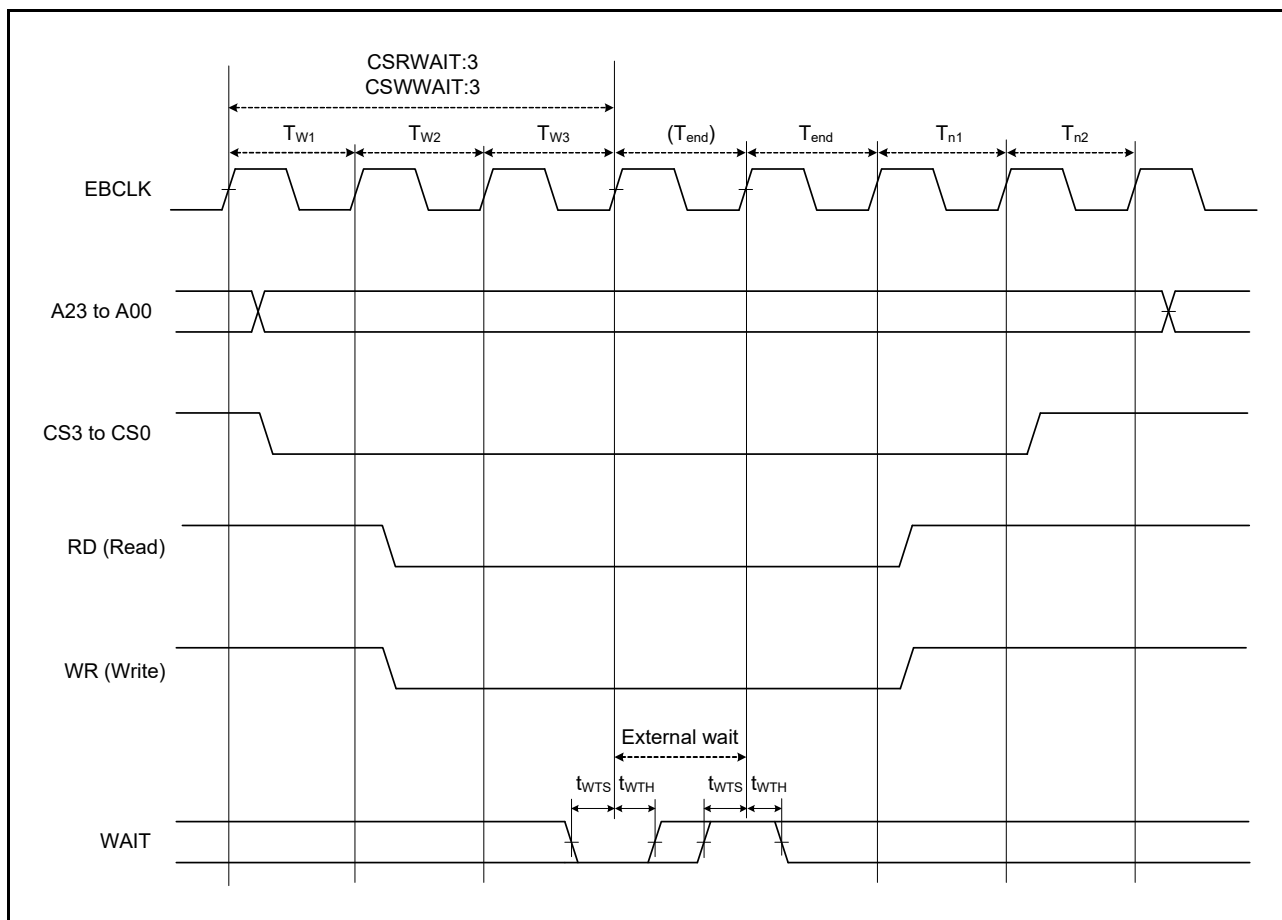


Figure 2.46 External bus timing/external wait control



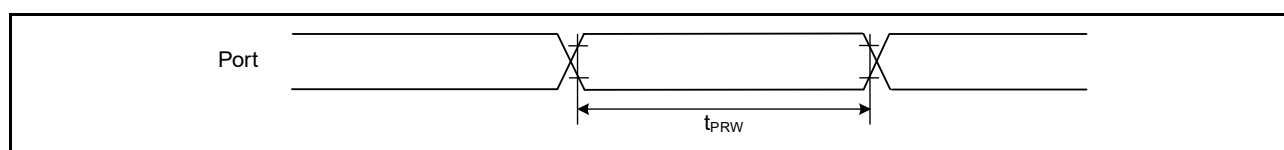
### 2.3.7 I/O Ports, POEG, GPT, AGT, KINT, and ADC14 Trigger Timing

**Table 2.35 I/O Ports, POEG, GPT, AGT, KINT, and ADC14 trigger timing**

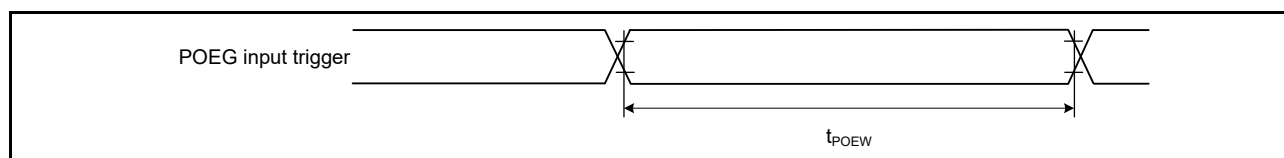
| Parameter |  | Symbol                                    | Min                          | Max  | Unit        | Test conditions |
|-----------|--|---|------------------------------|------|-------------|-----------------|
| I/O ports | Input data pulse width                               | $t_{PRW}$                                 | 1.5                          | -    | $t_{Pcyc}$  | Figure 2.47     |
|           | Input/output data cycle (P002, P003, P004, P007)     | $t_{POcyc}$                               | 10                           | -    | us          |                 |
| POEG      | POEG input trigger pulse width                       | $t_{POEW}$                                | 3                            | -    | $t_{Pcyc}$  | Figure 2.48     |
| GPT       | Input capture pulse width                            | Single edge                               | $t_{GTICW}$                  | 1.5  | $t_{PDcyc}$ | Figure 2.49     |
|           |  | Dual edge                                 |                              | 2.5  |             |                 |
| AGT       | AGTIO, AGTEE input cycle                             | $2.7\text{ V} \leq VCC \leq 5.5\text{ V}$ | $t_{ACYC}^{*1}$              | 250  | ns          | Figure 2.50     |
|           |  | $2.4\text{ V} \leq VCC < 2.7\text{ V}$    |                              | 500  |             |                 |
|           |  | $1.8\text{ V} \leq VCC < 2.4\text{ V}$    |                              | 1000 |             |                 |
|           |  | $1.6\text{ V} \leq VCC < 1.8\text{ V}$    |                              | 2000 |             |                 |
|           | AGTIO, AGTEE input high-level width, low-level width | $2.7\text{ V} \leq VCC \leq 5.5\text{ V}$ | $t_{ACKWH}$ ,<br>$t_{ACKWL}$ | 100  | ns          |                 |
|           |  | $2.4\text{ V} \leq VCC < 2.7\text{ V}$    |                              | 200  |             |                 |
|           |  | $1.8\text{ V} \leq VCC < 2.4\text{ V}$    |                              | 400  |             |                 |
|           |  | $1.6\text{ V} \leq VCC < 1.8\text{ V}$    |                              | 800  |             |                 |
|           | AGTIO, AGTO, AGTOA, AGTOB output cycle               | $2.7\text{ V} \leq VCC \leq 5.5\text{ V}$ | $t_{ACYC2}$                  | 62.5 | ns          |                 |
|           |  | $2.4\text{ V} \leq VCC < 2.7\text{ V}$    |                              | 125  |             |                 |
|           |  | $1.8\text{ V} \leq VCC < 2.4\text{ V}$    |                              | 250  |             |                 |
|           |  | $1.6\text{ V} \leq VCC < 1.8\text{ V}$    |                              | 500  |             |                 |
| ADC14     | 14-bit A/D converter trigger input pulse width       | $t_{TRGW}$                                | 1.5                          | -    | $t_{Pcyc}$  | Figure 2.51     |
| KINT      | KRn (n = 00 to 07) pulse width                       | $t_{KR}$                                  | 250                          | -    | ns          | Figure 2.52     |

Note 1. Constraints on AGTIO input:  $t_{Pcyc} \times 2 < t_{ACYC}$

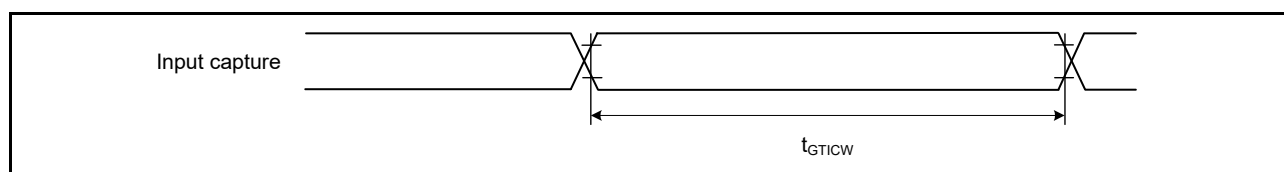
Note:  $t_{Pcyc}$ : PCLKB cycle,  $t_{PDcyc}$ : PCLKD cycle



**Figure 2.47 I/O ports input timing**



**Figure 2.48 POEG input trigger timing**



**Figure 2.49 GPT input capture timing**

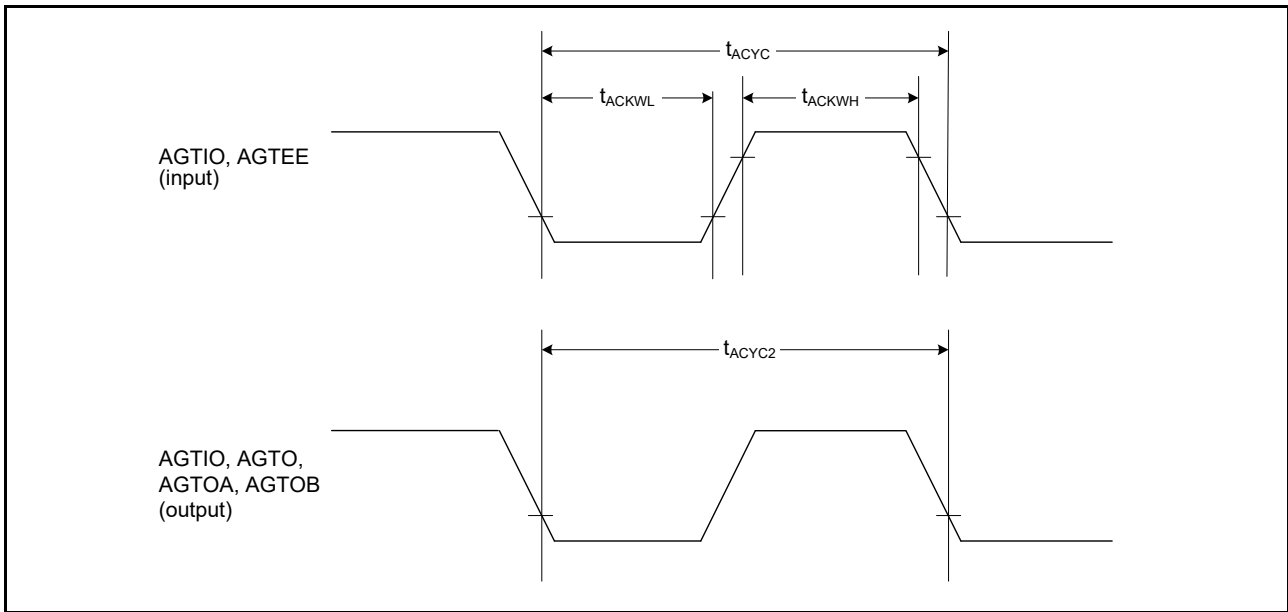


Figure 2.50 AGT I/O timing

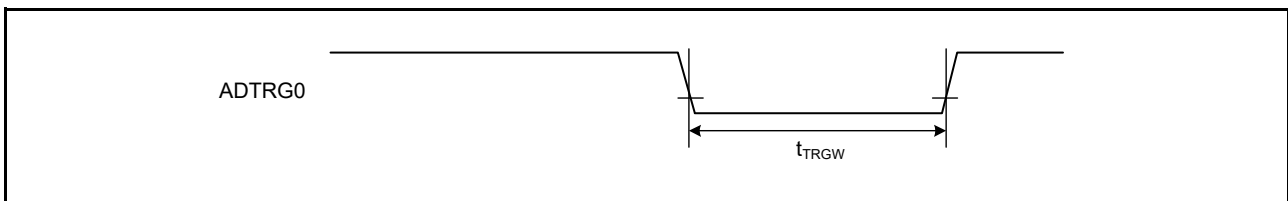


Figure 2.51 ADC14 trigger input timing

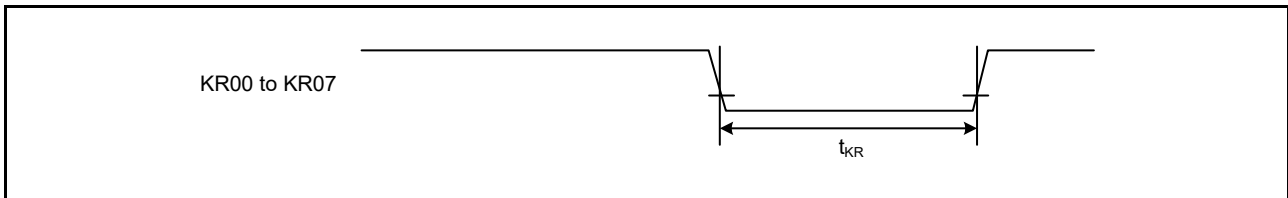


Figure 2.52 Key interrupt input timing

### 2.3.8 CAC Timing

Table 2.36 CAC timing

| Parameter |                          | Symbol       | Min                                | Typ  | Max | Unit | Test conditions |
|-----------|--------------------------|--------------|------------------------------------|--|-----|------|-----------------|
| CAC       | CACREF input pulse width | $t_{CACREF}$ | $t_{PBcyc}^{*1} \leq t_{cac}^{*2}$ | $4.5 \times t_{cac} + 3 \times t_{PBcyc}^{*1}$ | -   | -    | ns              |
|           |                          |              | $t_{PBcyc}^{*1} > t_{cac}^{*2}$    | $5 \times t_{cac} + 6.5 \times t_{PBcyc}^{*1}$ | -   | -    | ns              |

Note 1.  $t_{PBcyc}$ : PCLKB cycle.

Note 2.  $t_{cac}$ : CAC count clock source cycle.

## 2.3.9 SCI Timing

Table 2.37 SCI timing (1)

| Parameter                        |                              |                   | Symbol         | Min       | Max | Unit*1     | Test conditions |    |
|----------------------------------|------------------------------|-------------------|----------------|-----------|-----|------------|-----------------|----|
| SCI                              | Input clock cycle            | Asynchronous      | $t_{Scyc}$     | 4         | -   | $t_{Pcyc}$ | Figure 2.53     |    |
|                                  |                              | Clock synchronous |                | 6         | -   |            |                 |    |
|                                  | Input clock pulse width      |                   | $t_{SCKW}$     | 0.4       | 0.6 | $t_{Scyc}$ |                 |    |
|                                  | Input clock rise time        |                   | $t_{SCKr}$     | -         | 20  | ns         |                 |    |
|                                  | Input clock fall time        |                   | $t_{SCKf}$     | -         | 20  | ns         |                 |    |
|                                  | Output clock cycle           | Asynchronous      | $t_{Scyc}$     | 6         | -   | $t_{Pcyc}$ |                 |    |
|                                  |                              | Clock synchronous |                | 4         | -   |            |                 |    |
|                                  | Output clock pulse width     |                   | $t_{SCKW}$     | 0.4       | 0.6 | $t_{Scyc}$ |                 |    |
|                                  | Output clock rise time       | 1.8 V or above    | $t_{SCKr}$     | -         | 20  | ns         |                 |    |
|                                  |                              | 1.6 V or above    |                | -         | 30  |            |                 |    |
|                                  | Output clock fall time       | 1.8 V or above    | $t_{SCKf}$     | -         | 20  | ns         |                 |    |
|                                  |                              | 1.6 V or above    |                | -         | 30  |            |                 |    |
|                                  | Transmit data delay (master) | Clock synchronous | 1.8 V or above | $t_{TXD}$ | -   | 40         |                 | ns |
|                                  |                              |                   | 1.6 V or above |           | -   | 45         |                 |    |
| Transmit data delay (slave)      | Clock synchronous            | 2.7 V or above    | $t_{TXD}$      | -         | 55  | ns         |                 |    |
|                                  |                              | 2.4 V or above    |                | -         | 60  |            |                 |    |
|                                  |                              | 1.8 V or above    |                | -         | 100 |            |                 |    |
|                                  |                              | 1.6 V or above    |                | -         | 125 |            |                 |    |
| Receive data setup time (master) | Clock synchronous            | 2.7 V or above    | $t_{RXS}$      | 45        | -   | ns         |                 |    |
|                                  |                              | 2.4 V or above    |                | 55        | -   |            |                 |    |
|                                  |                              | 1.8 V or above    |                | 90        | -   |            |                 |    |
|                                  |                              | 1.6 V or above    |                | 110       | -   |            |                 |    |
| Receive data setup time (slave)  | Clock synchronous            | 2.7 V or above    | $t_{RXS}$      | 40        | -   | ns         |                 |    |
|                                  |                              | 1.6 V or above    |                | 45        | -   |            |                 |    |
| Receive data hold time (master)  | Clock synchronous            | $t_{RXH}$         | 5              | -         | ns  |            |                 |    |
| Receive data hold time (slave)   | Clock synchronous            | $t_{RXH}$         | 40             | -         | ns  |            |                 |    |

Note 1.  $t_{Pcyc}$ : PCLKA cycle.

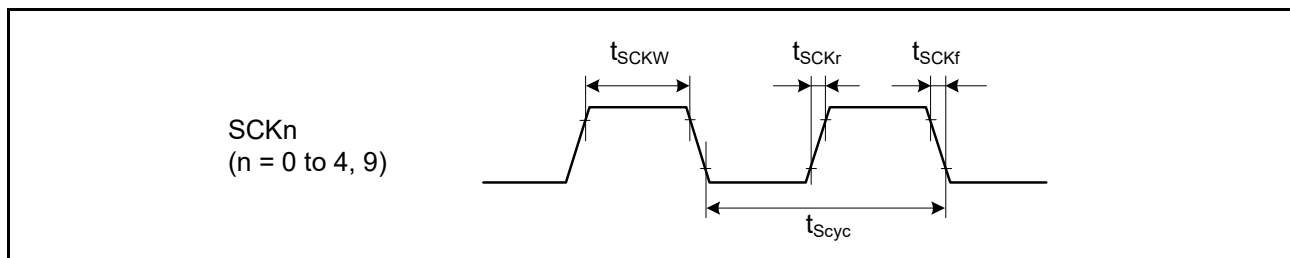


Figure 2.53 SCK clock input timing

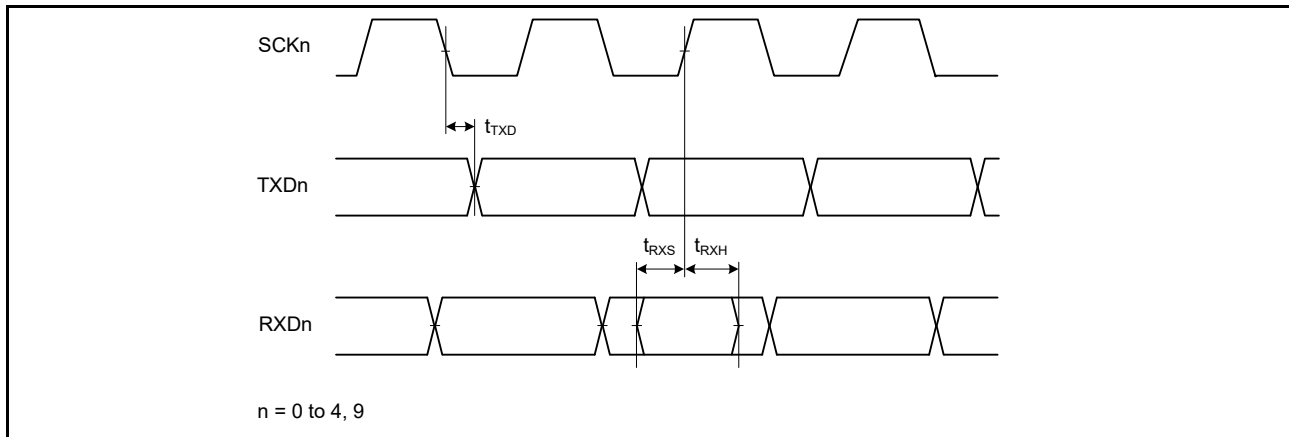


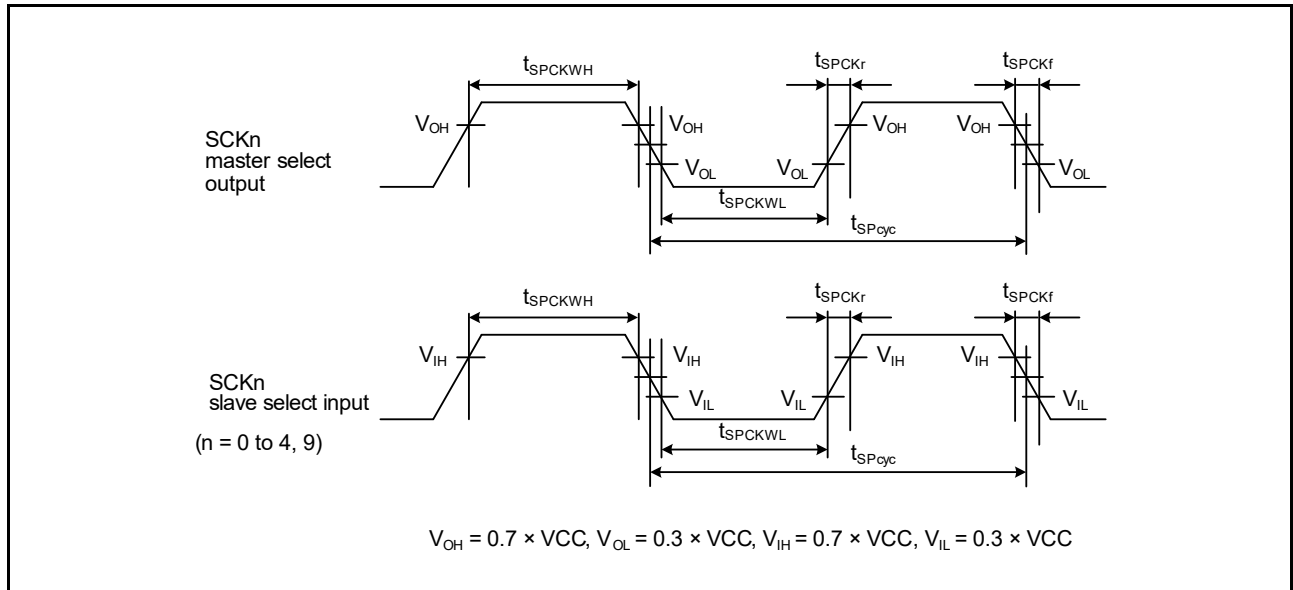
Figure 2.54 SCI input/output timing in clock synchronous mode

Table 2.38 SCI timing (2) (1 of 2)

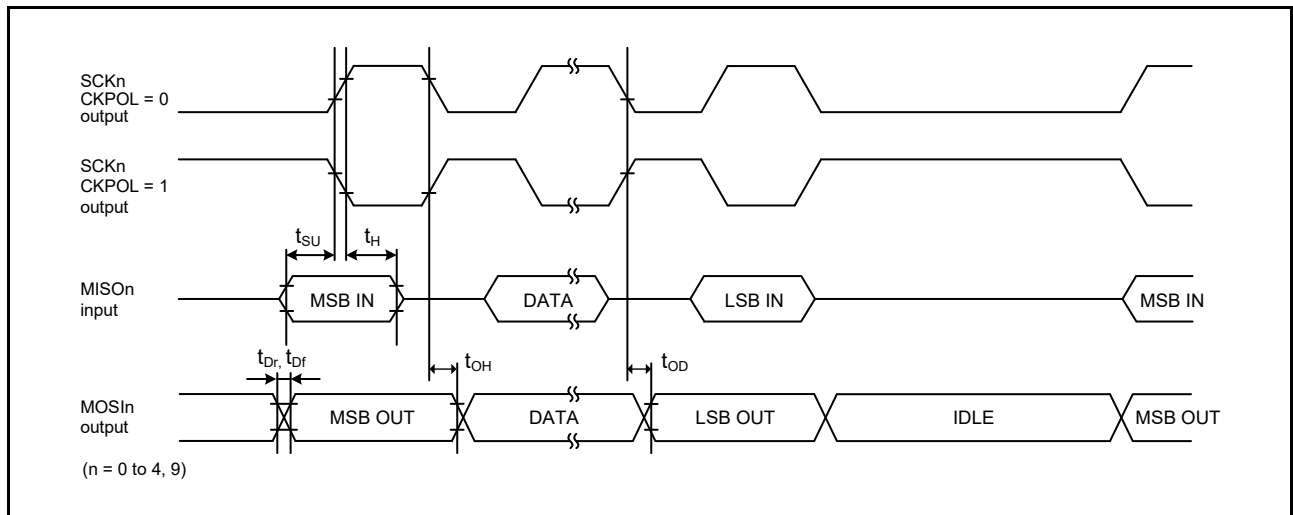
| Parameter             |                                 |                | Symbol                       | Min            | Max                 | Unit        | Test conditions               |
|-----------------------|---------------------------------|----------------|------------------------------|----------------|---------------------|-------------|-------------------------------|
| Simple SPI            | SCK clock cycle output (master) |                | $t_{SPcyc}$                  | 4              | 65,536              | $t_{Pcyc}$  | Figure 2.55                   |
|                       | SCK clock cycle input (slave)   |                |                              | 6              | 65,536              |             |                               |
|                       | SCK clock high pulse width      |                | $t_{SPCKWH}$                 | 0.4            | 0.6                 | $t_{SPcyc}$ |                               |
|                       | SCK clock low pulse width       |                | $t_{SPCKWL}$                 | 0.4            | 0.6                 | $t_{SPcyc}$ |                               |
|                       | SCK clock rise and fall time    |                | $t_{SPCKr}$ ,<br>$t_{SPCKf}$ | -              | 20                  | ns          |                               |
|                       |                                 | 1.8 V or above |                              | -              | 30                  |             |                               |
| Data input setup time | Master                          | 2.7 V or above | $t_{SU}$                     | 45             | -                   | ns          | Figure 2.56 to<br>Figure 2.59 |
|                       |                                 | 2.4 V or above |                              | 55             | -                   |             |                               |
|                       |                                 | 1.8 V or above |                              | 80             | -                   |             |                               |
|                       |                                 | 1.6 V or above |                              | 110            | -                   |             |                               |
|                       | Slave                           | 2.7 V or above |                              | 40             | -                   |             |                               |
|                       |                                 | 1.6 V or above |                              | 45             | -                   |             |                               |
| Data input hold time  | Master                          |                | $t_H$                        | 33.3           | -                   | ns          |                               |
|                       | Slave                           |                |                              | 40             | -                   |             |                               |
| SS input setup time   |                                 |                | $t_{LEAD}$                   | 1              | -                   | $t_{SPcyc}$ |                               |
| SS input hold time    |                                 |                | $t_{LAG}$                    | 1              | -                   | $t_{SPcyc}$ |                               |
| Data output delay     | Master                          | 1.8 V or above | $t_{OD}$                     | -              | 40                  | ns          |                               |
|                       |                                 | 1.6 V or above |                              | -              | 50                  |             |                               |
|                       | Slave                           | 2.4 V or above |                              | -              | 65                  |             |                               |
|                       |                                 | 1.8 V or above |                              | -              | 100                 |             |                               |
|                       |                                 | 1.6 V or above |                              | -              | 125                 |             |                               |
| Data output hold time | Master                          | 2.7 V or above | $t_{OH}$                     | -10            | -                   | ns          |                               |
|                       |                                 | 2.4 V or above |                              | -20            | -                   |             |                               |
|                       |                                 | 1.8 V or above |                              | -30            | -                   |             |                               |
|                       |                                 | 1.6 V or above |                              | -40            | -                   |             |                               |
|                       | Slave                           |                |                              |                | -10                 |             | -                             |
|                       | Data rise and fall time         | Master         |                              | 1.8 V or above | $t_{Dr}$ , $t_{Df}$ |             | -                             |
| 1.6 V or above        |                                 |                | -                            | 30             |                     |             |                               |
| Slave                 |                                 | 1.8 V or above | -                            | 20             |                     |             |                               |
|                       |                                 | 1.6 V or above | -                            | 30             |                     |             |                               |

**Table 2.38 SCI timing (2) (2 of 2)**

| Parameter                       | Symbol    | Min | Max  | Unit       | Test conditions             |
|---------------------------------|-----------|-----|--|------------|-----------------------------|
| Simple SPI<br>Slave access time | $t_{SA}$  | -   | 10 (PCLKA > 32 MHz),<br>6 (PCLKA ≤ 32 MHz) | $t_{Pcyc}$ | Figure 2.58 and Figure 2.59 |
| Slave output release time       | $t_{REL}$ | -   | 10 (PCLKA > 32 MHz),<br>6 (PCLKA ≤ 32 MHz) | $t_{Pcyc}$ |                             |



**Figure 2.55 SCI simple SPI mode clock timing**



**Figure 2.56 SCI simple SPI mode timing (master, CKPH = 1)**

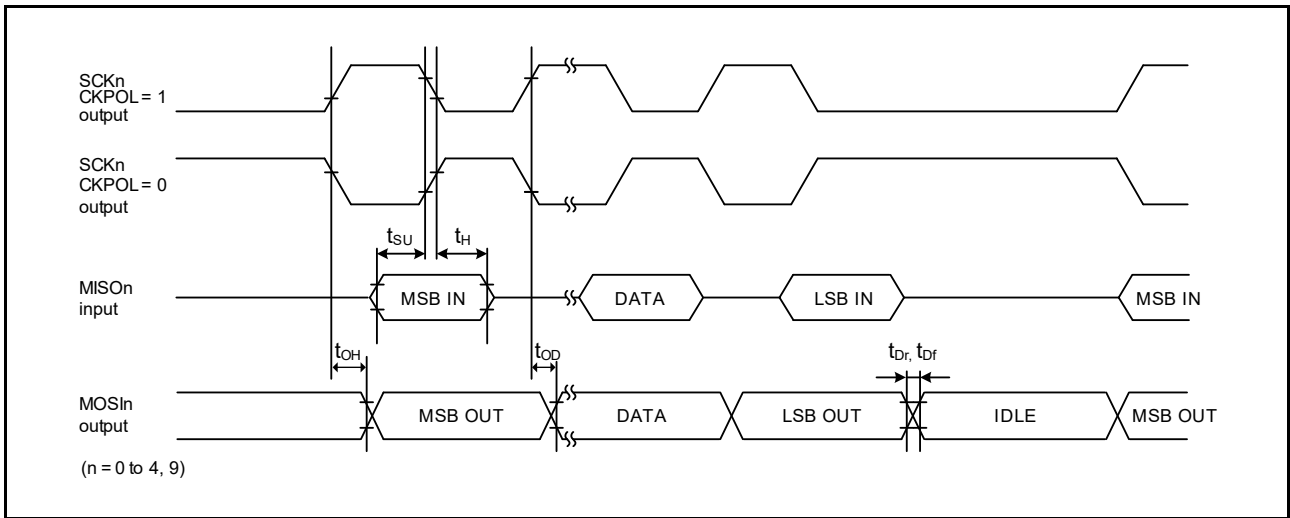


Figure 2.57 SCI simple SPI mode timing (master, CKPH = 0)

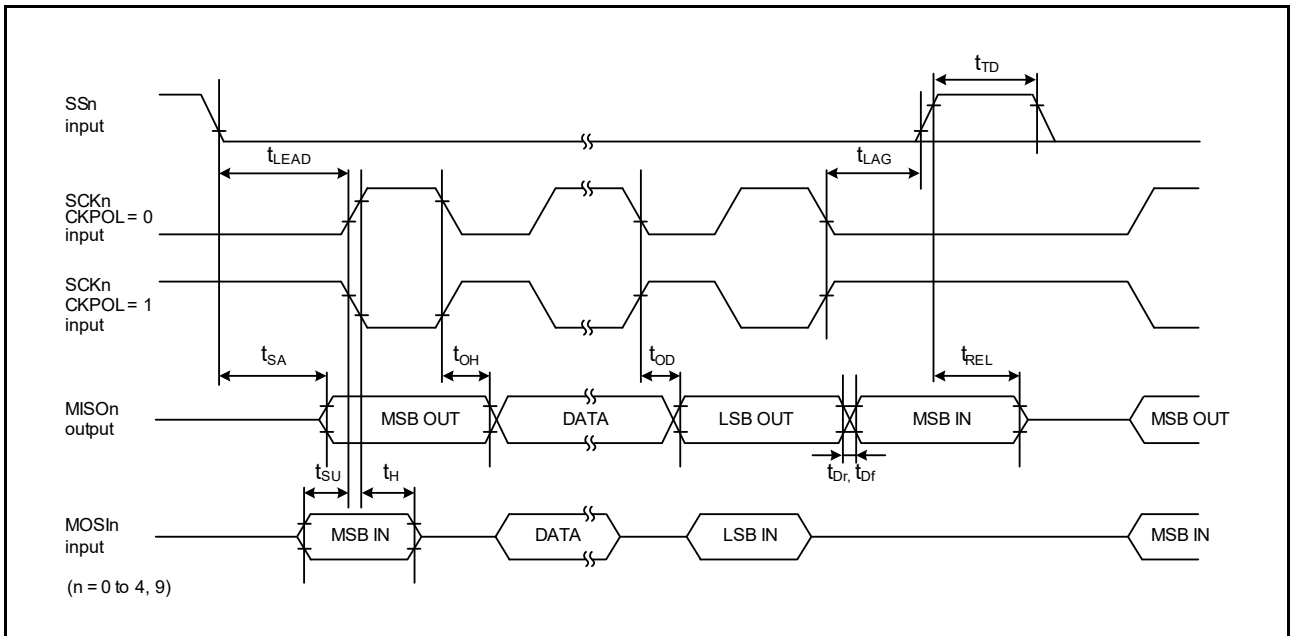


Figure 2.58 SCI simple SPI mode timing (slave, CKPH = 1)

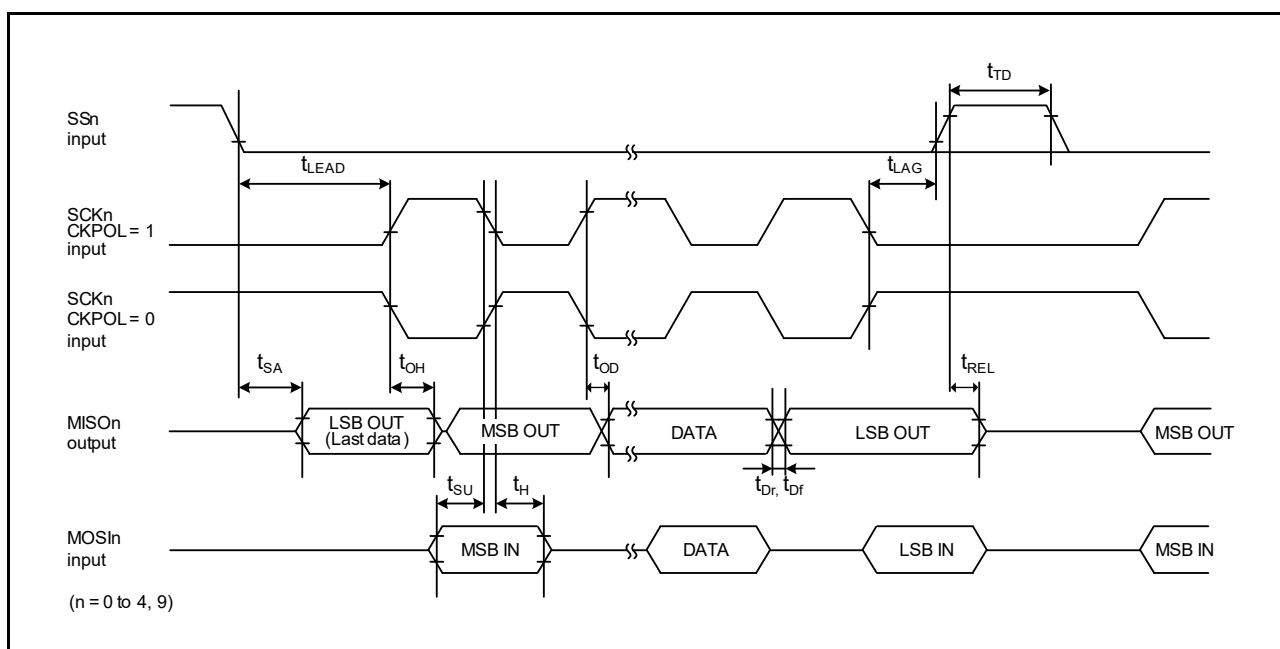


Figure 2.59 SCI simple SPI mode timing (slave, CKPH = 0)

Table 2.39 SCI timing (3)

Conditions: VCC = 2.7 to 5.5 V

| Parameter                  | Symbol                             | Min        | Max | Unit                       | Test conditions |   |
|----------------------------|------------------------------------|------------|-----|----------------------------|-----------------|---|
| Simple IIC (Standard mode) | SDA input rise time                | $t_{sr}$   | -   | 1000                       | ns              | Figure 2.60   |
|                            | SDA input fall time                | $t_{sf}$   | -   | 300                        | ns              |   |
|                            | SDA input spike pulse removal time | $t_{sp}$   | 0   | $4 \times t_{IICcyc}^{*1}$ | ns              |   |
|                            | Data input setup time              | $t_{SDAS}$ | 250 | -                          | ns              |   |
|                            | Data input hold time               | $t_{SDAH}$ | 0   | -                          | ns              |   |
|                            | SCL, SDA capacitive load           | $C_b^{*2}$ | -   | 400                        | pF              |   |
| Simple IIC (Fast mode)     | SDA input rise time                | $t_{sr}$   | -   | 300                        | ns              | Figure 2.60<br>For all ports except P408, use PmnPFS.DSCR of middle drive.<br>For port P408, use PmnPFS.DSCR1/DSCR of middle drive for IIC fast-mode. |
|                            | SDA input fall time                | $t_{sf}$   | -   | 300                        | ns              |   |
|                            | SDA input spike pulse removal time | $t_{sp}$   | 0   | $4 \times t_{IICcyc}^{*1}$ | ns              |   |
|                            | Data input setup time              | $t_{SDAS}$ | 100 | -                          | ns              |   |
|                            | Data input hold time               | $t_{SDAH}$ | 0   | -                          | ns              |   |
|                            | SCL, SDA capacitive load           | $C_b^{*2}$ | -   | 400                        | pF              |   |

Note 1.  $t_{IICcyc}$ : Clock cycle selected by the SMR.CKS[1:0] bits.

Note 2.  $C_b$  indicates the total capacity of the bus line.

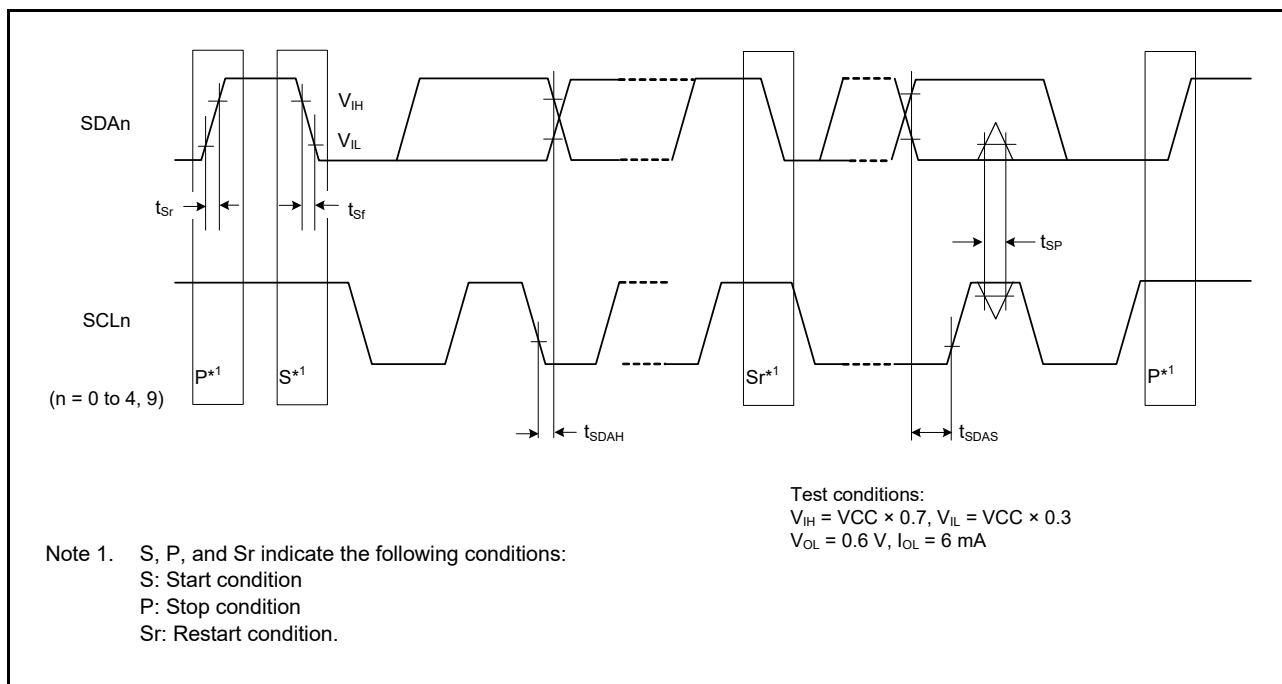


Figure 2.60 SCI simple IIC mode timing



## 2.3.10 SPI Timing

**Table 2.40 SPI timing (1 of 2)**

Conditions: Middle drive output is selected in the Port Drive Capability in PmnPFS register

| Parameter            |                                     |                     | Symbol                          | Min   | Max                 | Unit*1     | Test conditions |                               |
|----------------------|-------------------------------------|---------------------|---------------------------------|---|---------------------|------------|-----------------|-------------------------------|
| SPI                  | RSPCK clock cycle                   | Master              | $t_{SPCyc}$                     | 2*4   | 4096                | $t_{PCyc}$ | Figure 2.61     |                               |
|                      |                                     | Slave               |                                 | 6   | 4096                |            |                 |                               |
|                      | RSPCK clock high pulse width        | Master              | $t_{SPCKWH}$                    | $(t_{SPCyc} - t_{SPCKr} - t_{SPCKf}) / 2 - 3$ | -                   | ns         |                 |                               |
|                      |                                     | Slave               |                                 |   | $3 \times t_{PCyc}$ |            |                 | -                             |
|                      | RSPCK clock low pulse width         | Master              | $t_{SPCKWL}$                    | $(t_{SPCyc} - t_{SPCKr} - t_{SPCKf}) / 2 - 3$ | -                   | ns         |                 |                               |
|                      |                                     | Slave               |                                 |   | $3 \times t_{PCyc}$ |            |                 | -                             |
|                      | RSPCK clock rise and fall time      | Output              | 2.7 V or above                  | $t_{SPCKr}$ ,<br>$t_{SPCKf}$                  | -                   | 10         |                 | ns                            |
|                      |                                     |                     | 2.4 V or above                  |   | -                   | 15         |                 |                               |
|                      |                                     |                     | 1.8 V or above                  |   | -                   | 20         |                 |                               |
|                      |                                     |                     | 1.6 V or above                  |   | -                   | 30         |                 |                               |
|                      |                                     | Input               | -                               | 1   | $\mu$ s             |            |                 |                               |
|                      | Data input setup time               | Master              | $t_{SU}$                        | 10  | -                   | ns         |                 | Figure 2.62 to<br>Figure 2.67 |
| Slave                |                                     | 2.4 V or above      |                                 | 10  | -                   |            |                 |                               |
|                      |                                     | 1.8 V or above      |                                 | 15  | -                   |            |                 |                               |
|                      |                                     | 1.6 V or above      |                                 | 20  | -                   |            |                 |                               |
| Data input hold time | Master (RSPCK is PCLKA/2)           | $t_{HF}$            | 0                               | -   | ns                  |            |                 |                               |
|                      | Master (RSPCK is other than above.) | $t_H$               | $t_{PCyc}$                      | -   |                     |            |                 |                               |
|                      | Slave                               | $t_H$               | 20                              | -   |                     |            |                 |                               |
| SSL setup time       | Master                              | 1.8 V or above      | $t_{LEAD}$                      | $-30 + N \times t_{SPCyc}^{*2}$               | -                   | ns         |                 |                               |
|                      |                                     | 1.6 V or above      |                                 | $-50 + N \times t_{SPCyc}^{*2}$               | -                   |            |                 |                               |
|                      | Slave                               | $6 \times t_{PCyc}$ | -                               |   |                     |            |                 |                               |
| SSL hold time        | Master                              | $t_{LAG}$           | $-30 + N \times t_{SPCyc}^{*3}$ | -   | ns                  |            |                 |                               |
|                      | Slave                               |                     | $6 \times t_{PCyc}$             | -   |                     |            |                 |                               |

**Table 2.40 SPI timing (2 of 2)**

Conditions: Middle drive output is selected in the Port Drive Capability in PmnPFS register

| Parameter                        |                   |                | Symbol               | Min                             | Max                                      | Unit*1 | Test conditions                |                               |
|----------------------------------|-------------------|----------------|----------------------|---------------------------------|--|--------|--------------------------------|-------------------------------|
| SPI                              | Data output delay | Master         | 2.7 V or above       | $t_{OD}$                        | -  | 14     | ns                             | Figure 2.62 to<br>Figure 2.67 |
|                                  |                   |                | 2.4 V or above       |                                 | -  | 20     |                                |                               |
|                                  |                   |                | 1.8 V or above       |                                 | -  | 25     |                                |                               |
|                                  |                   |                | 1.6 V or above       |                                 | -  | 30     |                                |                               |
|                                  |                   | Slave          | 2.7 V or above       |                                 | -  | 50     |                                |                               |
|                                  |                   |                | 2.4 V or above       |                                 | -  | 60     |                                |                               |
|                                  |                   |                | 1.8 V or above       |                                 | -  | 85     |                                |                               |
|                                  |                   |                | 1.6 V or above       |                                 | -  | 110    |                                |                               |
| Data output hold time            | Master            |                | $t_{OH}$             | 0                               | -  | ns     | Figure 2.66 and<br>Figure 2.67 |                               |
|                                  | Slave             |                |                      | 0                               | -  |        |                                |                               |
| Successive transmission delay    | Master            |                | $t_{TD}$             | $t_{SPcyc} + 2 \times t_{Pcyc}$ | $8 \times t_{SPcyc} + 2 \times t_{Pcyc}$ | ns     |                                |                               |
|                                  | Slave             |                |                      | $6 \times t_{Pcyc}$             | -  |        |                                |                               |
| MOSI and MISO rise and fall time | Output            | 2.7 V or above | $t_{Dr}, t_{Df}$     | -                               | 10                                       | ns     |                                |                               |
|                                  |                   | 2.4 V or above |                      | -                               | 15                                       |        |                                |                               |
|                                  |                   | 1.8 V or above |                      | -                               | 20                                       |        |                                |                               |
|                                  |                   | 1.6 V or above |                      | -                               | 30                                       |        |                                |                               |
|                                  | Input             |                |                      | -                               | 1  |        | $\mu s$                        |                               |
| SSL rise and fall time           | Output            | 2.7 V or above | $t_{SSLr}, t_{SSLf}$ | -                               | 10                                       | ns     |                                |                               |
|                                  |                   | 2.4 V or above |                      | -                               | 15                                       |        |                                |                               |
|                                  |                   | 1.8 V or above |                      | -                               | 20                                       |        |                                |                               |
|                                  |                   | 1.6 V or above |                      | -                               | 30                                       |        |                                |                               |
|                                  | Input             |                |                      | -                               | 1  |        | $\mu s$                        |                               |
| Slave access time                |                   | 2.4 V or above | $t_{SA}$             | -                               | $2 \times t_{Pcyc} + 100$                | ns     |                                |                               |
|                                  |                   | 1.8 V or above |                      | -                               | $2 \times t_{Pcyc} + 140$                |        |                                |                               |
|                                  |                   | 1.6 V or above |                      | -                               | $2 \times t_{Pcyc} + 180$                |        |                                |                               |
| Slave output release time        |                   | 2.4 V or above | $t_{REL}$            | -                               | $2 \times t_{Pcyc} + 100$                | ns     |                                |                               |
|                                  |                   | 1.8 V or above |                      | -                               | $2 \times t_{Pcyc} + 140$                |        |                                |                               |
|                                  |                   | 1.6 V or above |                      | -                               | $2 \times t_{Pcyc} + 180$                |        |                                |                               |

Note 1.  $t_{Pcyc}$ : PCLKA cycle.

Note 2. N is set as an integer from 1 to 8 by the SPCKD register.

Note 3. N is set as an integer from 1 to 8 by the SSLND register.

Note 4. The upper limit of RSPCK is 16 MHz.

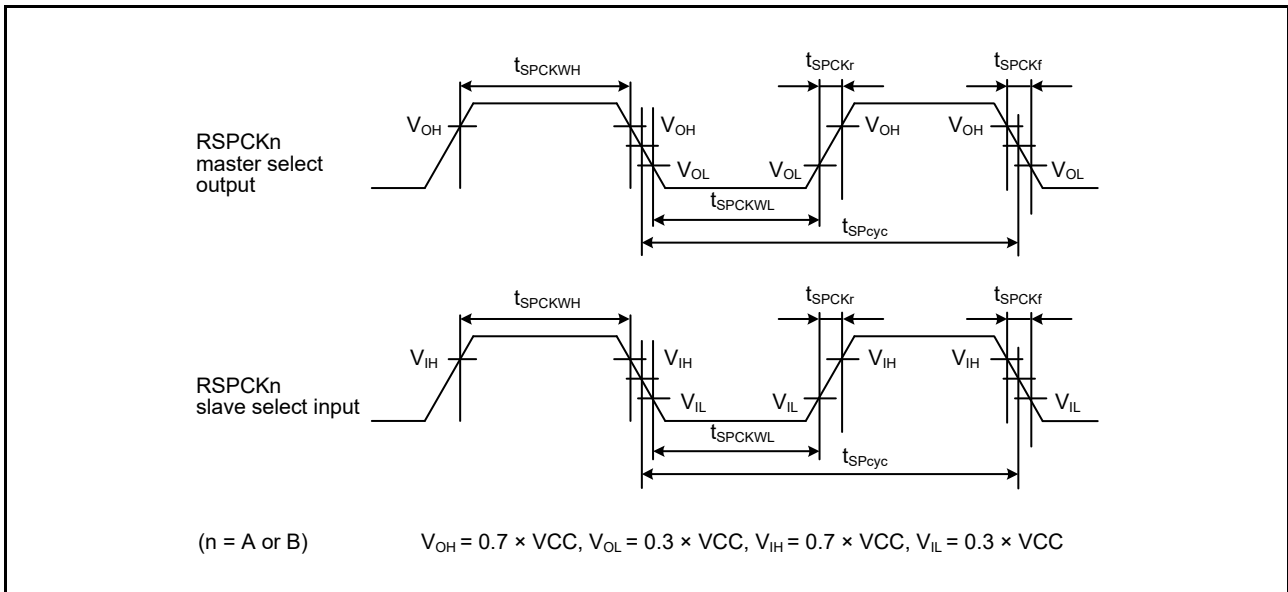


Figure 2.61 SPI clock timing

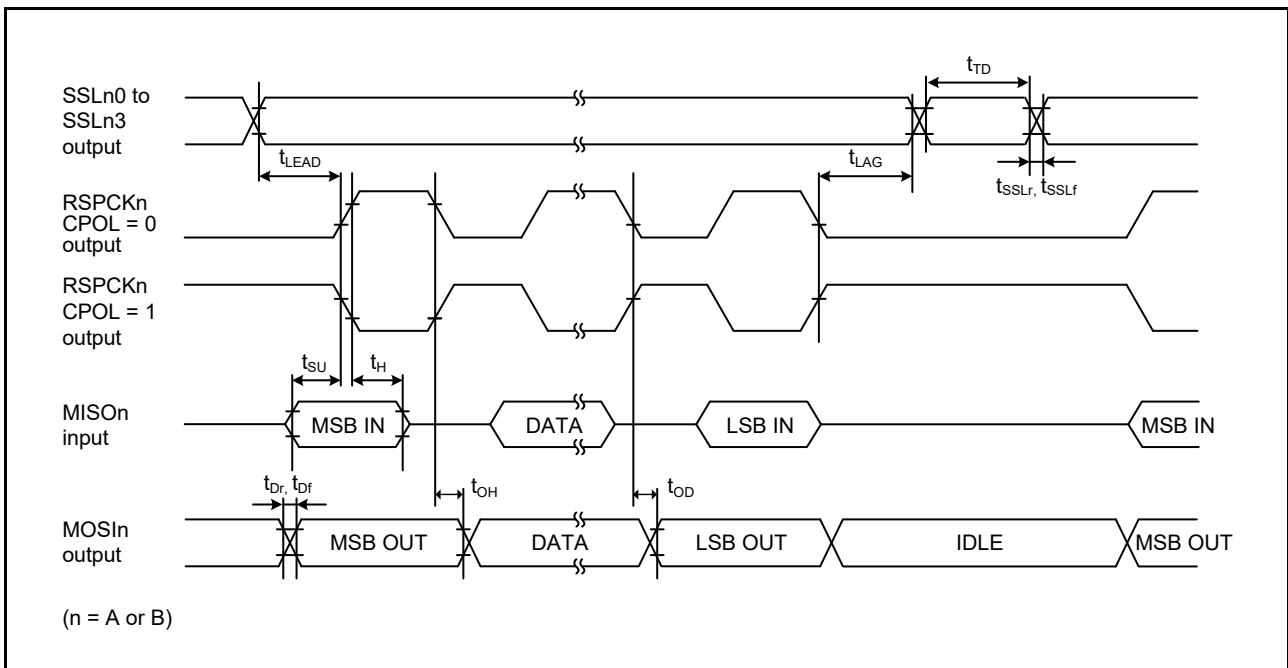


Figure 2.62 SPI timing (master, CPHA = 0) (bit rate: PCLKA division ratio is set to any value other than 1/2)

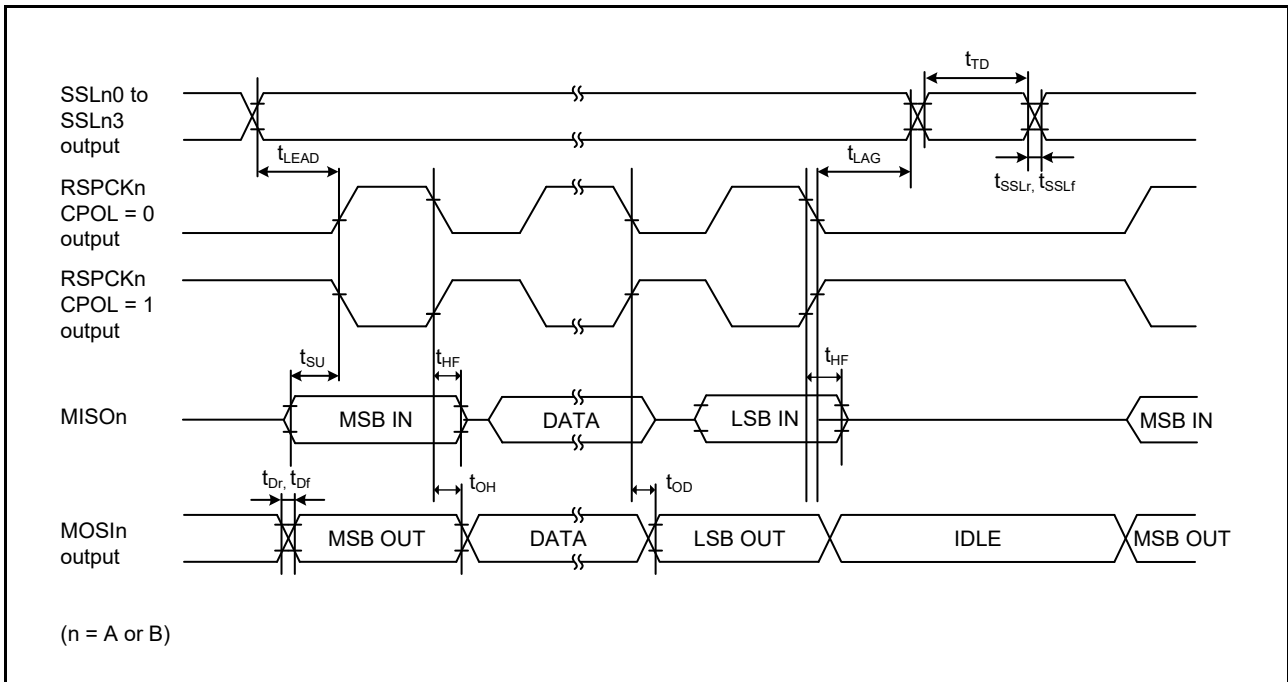


Figure 2.63 SPI timing (master, CPHA = 0) (bit rate: PCLKA division ratio is set to 1/2)

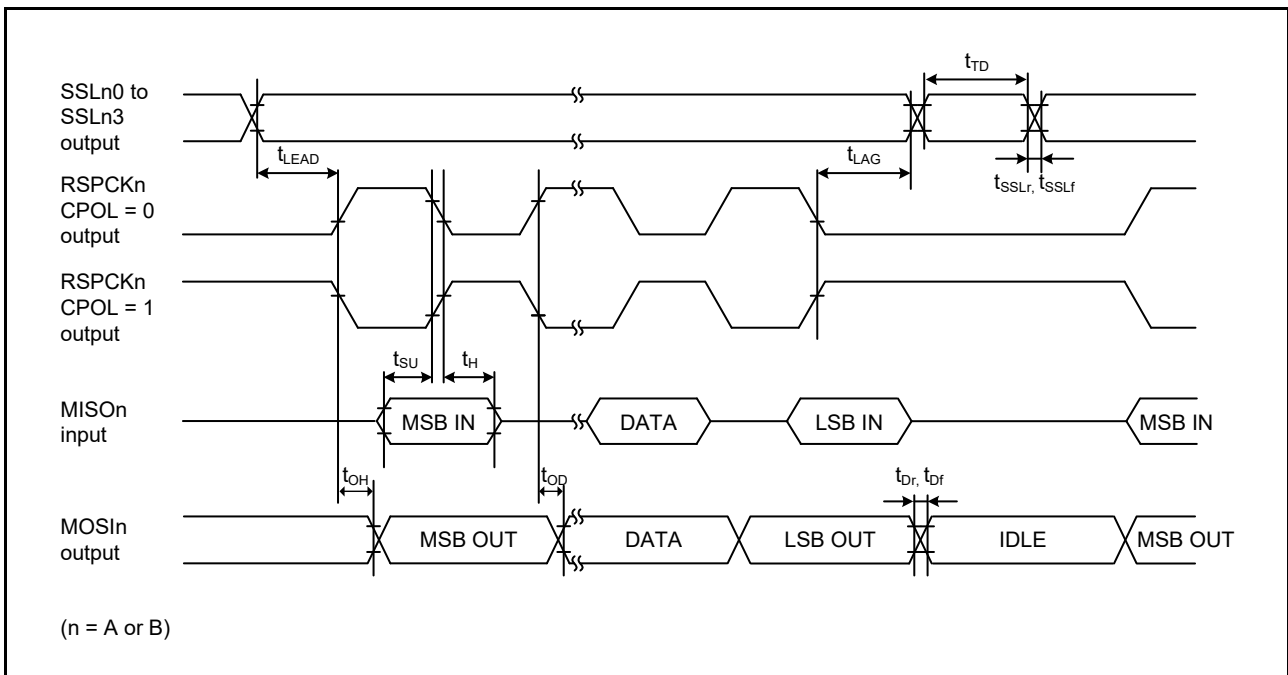


Figure 2.64 SPI timing (master, CPHA = 1) (bit rate: PCLKA division ratio is set to any value other than 1/2)

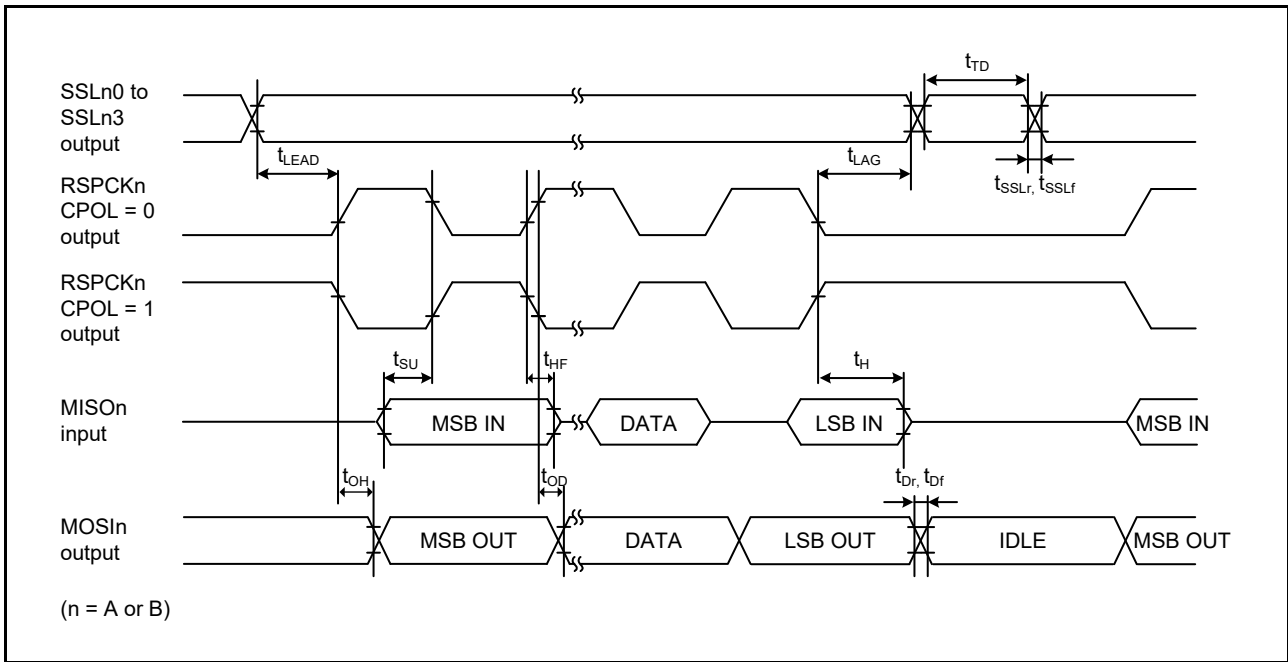


Figure 2.65 SPI timing (master, CPHA = 1) (bit rate: PCLKA division ratio is set to 1/2)

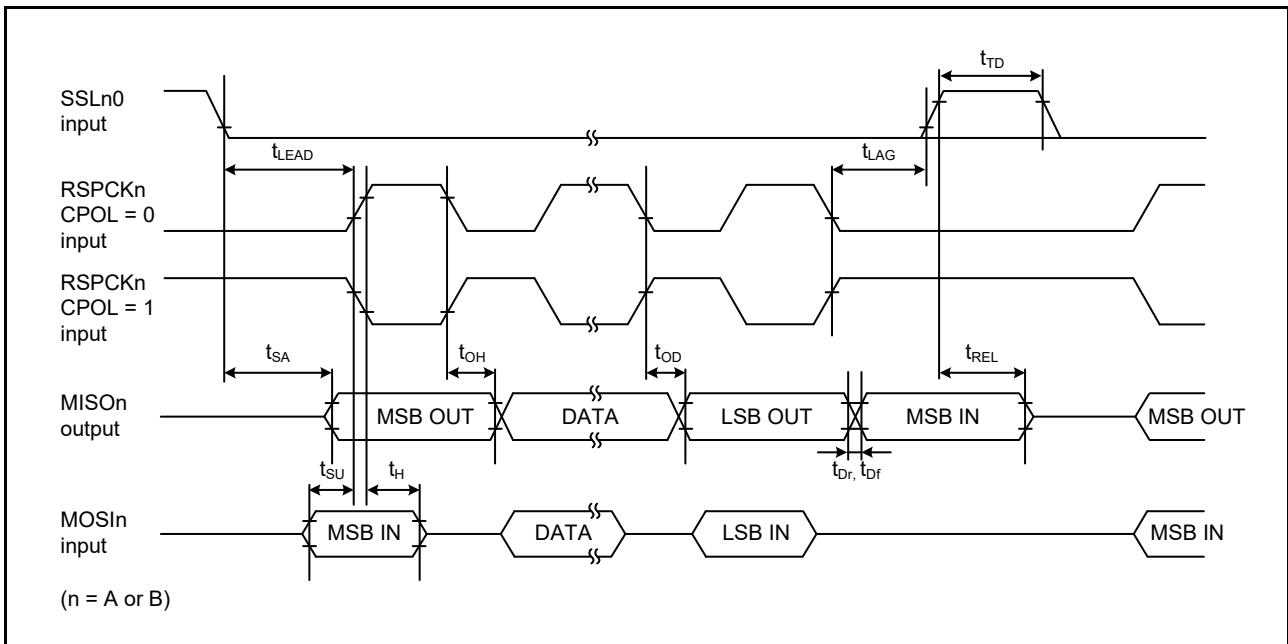


Figure 2.66 SPI timing (slave, CPHA = 0)

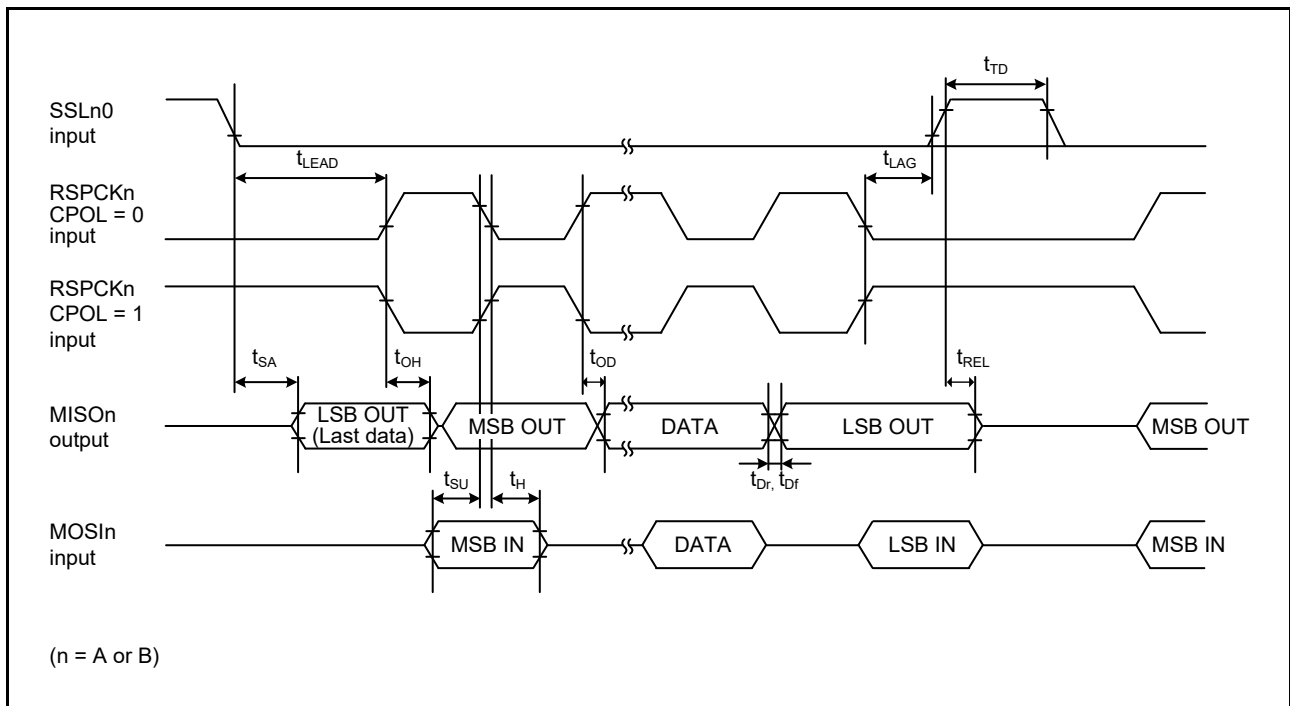


Figure 2.67 SPI timing (slave, CPHA = 1)

### 2.3.11 QSPI Timing

Table 2.41 QSPI timing

Conditions: VCC = 1.8 to 5.5 V

Conditions: Middle drive output is selected in the Port Drive Capability bit in PmnPFS register

| Parameter                     | Symbol   | Min                                  | Max                                   | Unit*1      | Test conditions |             |
|-------------------------------|--|--------------------------------------|---------------------------------------|-------------|-----------------|-------------|
| QSPI                          | QSPCLK clock cycle                                 | $t_{QScyc}$                          | $2^4$                                 | 48          | $t_{Pcyc}$      | Figure 2.68 |
|                               | QSPCLK clock high-level pulse width                | $t_{QSWH}$                           | $t_{QScyc} \times 0.4$                | -           | ns              |             |
|                               | QSPCLK clock low-level pulse width                 | $t_{QSWL}$                           | $t_{QScyc} \times 0.4$                | -           | ns              |             |
| Data input                    | setup time   | $t_{SU}$                             | 25                                    | -           | ns              | Figure 2.69 |
|                               | hold time  | $t_{IH}$                             | 2                                     | -           | ns              |             |
| SSL setup time                | $t_{LEAD}$   | $(N + 0.5) \times t_{QScyc} - 15^*2$ | $(N + 0.5) \times t_{QScyc} + 100^*2$ | ns          |                 |             |
| SSL hold time                 | $t_{LAG}$  | $(N + 0.5) \times t_{QScyc} - 15^*3$ | $(N + 0.5) \times t_{QScyc} + 100^*3$ | ns          |                 |             |
| Data output delay             | 2.7 V or above<br>2.4 V or above<br>1.8 V or above | $t_{OD}$                             | -                                     | 14          | ns              |             |
|                               |  |                                      | -                                     | 20          |                 |             |
|                               |  |                                      | -                                     | 30          |                 |             |
| Data output hold time         | 2.7 V or above<br>1.8 V or above                   | $t_{OH}$                             | -3.3                                  | -           | ns              |             |
|                               |  |                                      | -10                                   | -           |                 |             |
| Successive transmission delay | $t_{TD}$   | 1                                    | 16                                    | $t_{QScyc}$ |                 |             |

Note 1.  $t_{Pcyc}$ : PCLKA cycle.

Note 2. N is set to 0 or 1 in SFMSLD.

Note 3. N is set to 0 or 1 in SFMSHD.

Note 4. The upper limit of QSPCLK is 16MHz.

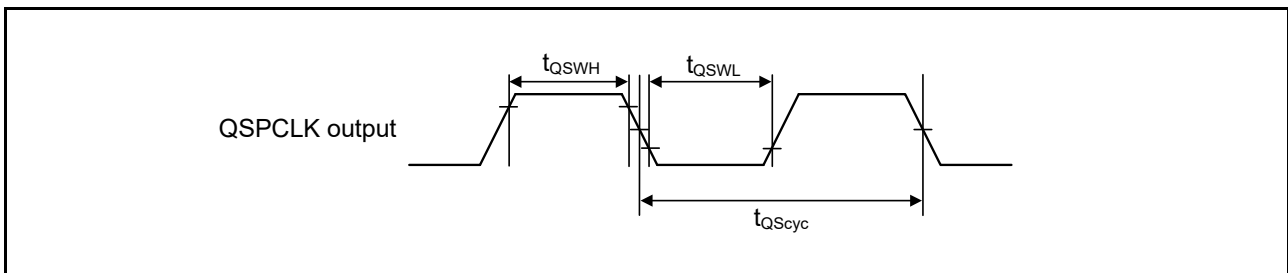


Figure 2.68 QSPI clock timing

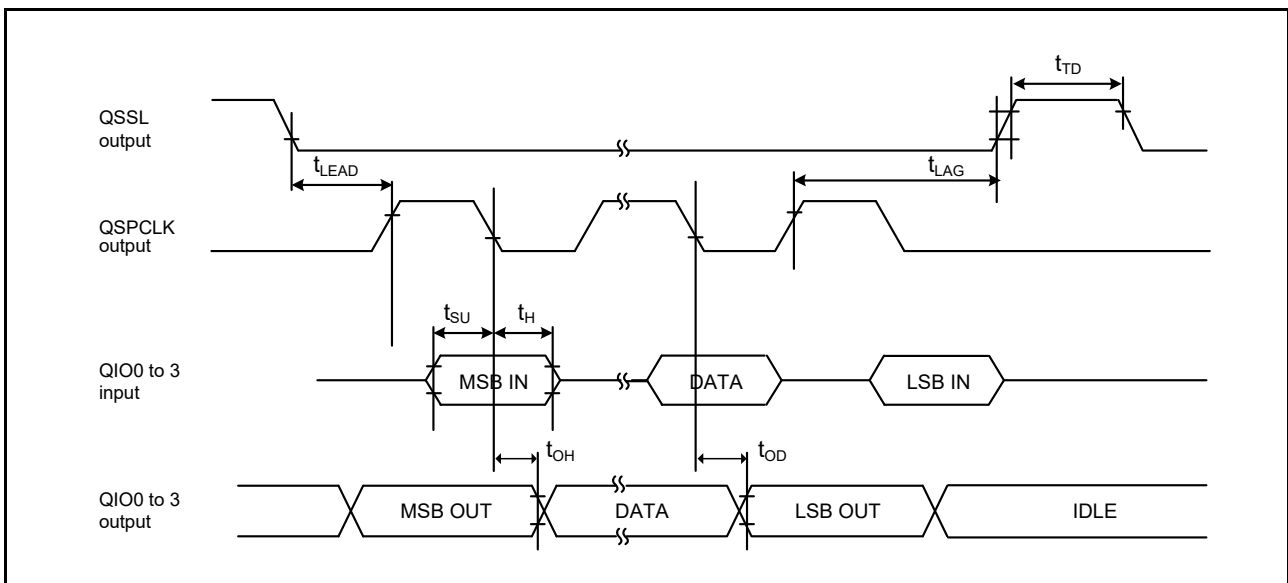


Figure 2.69 Transfer/receive timing

## 2.3.12 IIC Timing

**Table 2.42 IIC timing**  
Conditions: VCC = 2.7 to 5.5 V

| Parameter                        |   | Symbol     | Min*1   | Max                       | Unit | Test conditions  |
|----------------------------------|---|------------|---|---------------------------|------|--|
| IIC<br>(standard mode,<br>SMBus) | SCL input cycle time  | $t_{SCL}$  | $6 (12) \times t_{IICcyc} + 1300$                   | -                         | ns   | Figure 2.70  |
|                                  | SCL input high pulse width  | $t_{SCLH}$ | $3 (6) \times t_{IICcyc} + 300$                     | -                         | ns   |  |
|                                  | SCL input low pulse width   | $t_{SCLL}$ | $3 (6) \times t_{IICcyc} + 300$                     | -                         | ns   |  |
|                                  | SCL, SDA input rise time  | $t_{Sr}$   | -   | 1000                      | ns   |  |
|                                  | SCL, SDA input fall time  | $t_{Sf}$   | -   | 300                       | ns   |  |
|                                  | SCL, SDA input spike pulse removal time                               | $t_{SP}$   | 0   | $1 (4) \times t_{IICcyc}$ | ns   |  |
|                                  | SDA input bus free time<br>(When wakeup function is disabled)         | $t_{BUF}$  | $3 (6) \times t_{IICcyc} + 300$                     | -                         | ns   |  |
|                                  | SDA input bus free time<br>(When wakeup function is enabled)          | $t_{BUF}$  | $3 (6) \times t_{IICcyc} + 4 \times t_{Pcyc} + 300$ | -                         | ns   |  |
|                                  | START condition input hold time<br>(When wakeup function is disabled) | $t_{STAH}$ | $t_{IICcyc} + 300$                                  | -                         | ns   |  |
|                                  | START condition input hold time<br>(When wakeup function is enabled)  | $t_{STAH}$ | $1 (5) \times t_{IICcyc} + t_{Pcyc} + 300$          | -                         | ns   |  |
|                                  | Repeated START condition input setup time                             | $t_{STAS}$ | 1000  | -                         | ns   |  |
|                                  | STOP condition input setup time                                       | $t_{STOS}$ | 1000  | -                         | ns   |  |
|                                  | Data input setup time   | $t_{SDAS}$ | $t_{IICcyc} + 50$                                   | -                         | ns   |  |
|                                  | Data input hold time  | $t_{SDAH}$ | 0   | -                         | ns   |  |
| SCL, SDA capacitive load         | $C_b$   | -          | 400   | pF                        |      |  |
| IIC<br>(Fast mode)               | SCL input cycle time  | $t_{SCL}$  | $6 (12) \times t_{IICcyc} + 600$                    | -                         | ns   | Figure 2.70<br>For all ports except P408, use PmnPFS.DSCR of middle drive.<br>For port P408, use PmnPFS.DSCR 1/DSCR of middle drive for IIC fast-mode. |
|                                  | SCL input high pulse width  | $t_{SCLH}$ | $3 (6) \times t_{IICcyc} + 300$                     | -                         | ns   |  |
|                                  | SCL input low pulse width   | $t_{SCLL}$ | $3 (6) \times t_{IICcyc} + 300$                     | -                         | ns   |  |
|                                  | SCL, SDA input rise time  | $t_{Sr}$   | -   | 300                       | ns   |  |
|                                  | SCL, SDA input fall time  | $t_{Sf}$   | -   | 300                       | ns   |  |
|                                  | SCL, SDA input spike pulse removal time                               | $t_{SP}$   | 0   | $1 (4) \times t_{IICcyc}$ | ns   |  |
|                                  | SDA input bus free time<br>(When wakeup function is disabled)         | $t_{BUF}$  | $3 (6) \times t_{IICcyc} + 300$                     | -                         | ns   |  |
|                                  | SDA input bus free time<br>(When wakeup function is enabled)          | $t_{BUF}$  | $3 (6) \times t_{IICcyc} + 4 \times t_{Pcyc} + 300$ | -                         | ns   |  |
|                                  | START condition input hold time<br>(When wakeup function is disabled) | $t_{STAH}$ | $t_{IICcyc} + 300$                                  | -                         | ns   |  |
|                                  | START condition input hold time<br>(When wakeup function is enabled)  | $t_{STAH}$ | $1(5) \times t_{IICcyc} + t_{Pcyc} + 300$           | -                         | ns   |  |
|                                  | Repeated START condition input setup time                             | $t_{STAS}$ | 300   | -                         | ns   |  |
|                                  | STOP condition input setup time                                       | $t_{STOS}$ | 300   | -                         | ns   |  |
|                                  | Data input setup time   | $t_{SDAS}$ | $t_{IICcyc} + 50$                                   | -                         | ns   |  |
|                                  | Data input hold time  | $t_{SDAH}$ | 0   | -                         | ns   |  |
| SCL, SDA capacitive load         | $C_b$   | -          | 400   | pF                        |      |  |

Note:  $t_{IICcyc}$ : IIC internal reference clock (IIC $\phi$ ) cycle,  $t_{Pcyc}$ : PCLKB cycle

Note 1. The value in parentheses apply when ICMR3.NF[1:0] is set to 11b while the digital filter is enabled with ICFER.NFE set to 1.



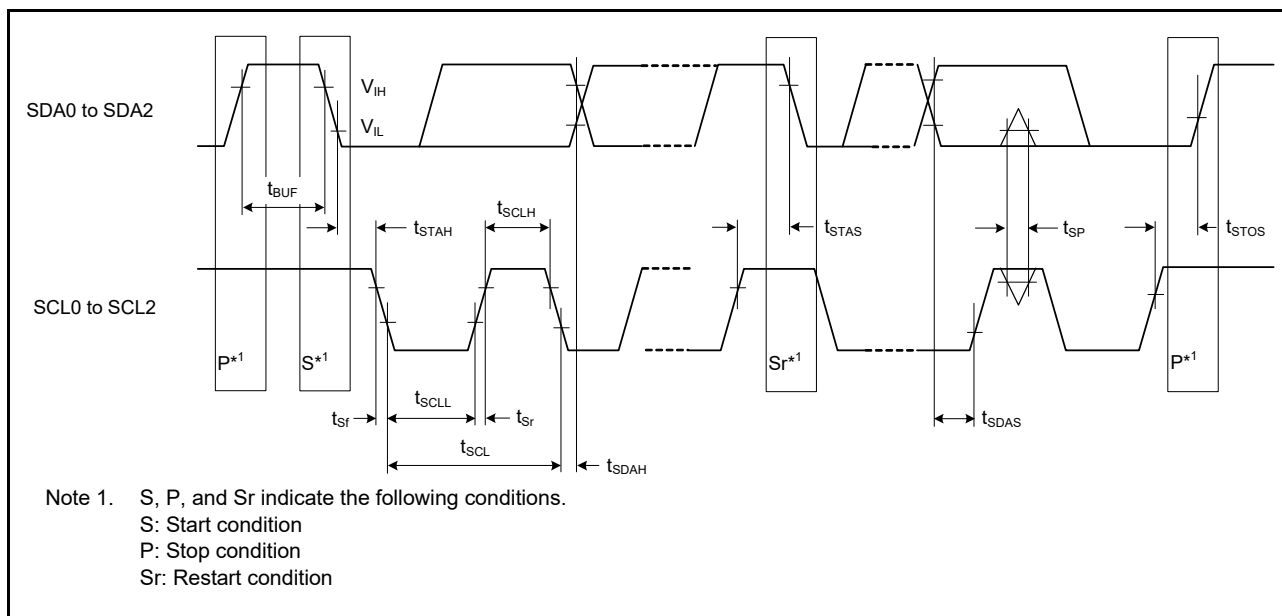


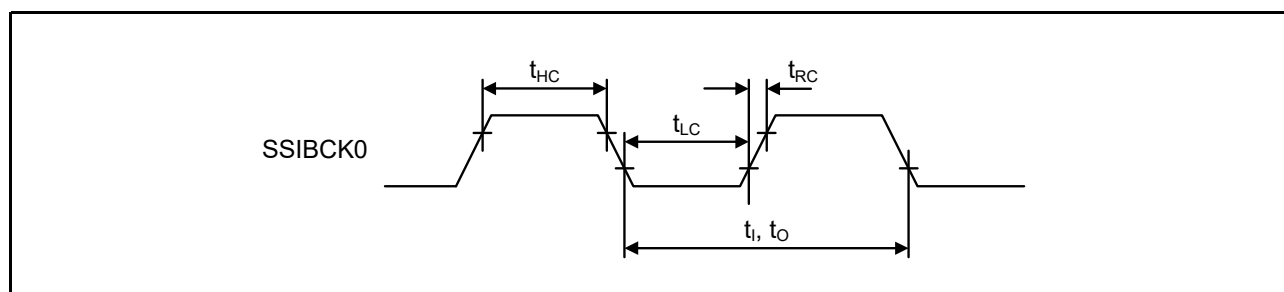
Figure 2.70 I2C bus interface input/output timing

### 2.3.13 SSIE Timing

**Table 2.43 SSIE timing**

Conditions: VCC = 1.6 to 5.5 V

| Parameter   |                           | Symbol             | Min              | Max | Unit | Test conditions |   |                             |
|---|---------------------------|--------------------|------------------|-----|------|-----------------|---|-----------------------------|
| SSIE  | AUDIO_CLK input frequency | $t_{\text{AUDIO}}$ | 2.7 V or above   | -   | 25   | MHz             | - |                             |
|   |                           |                    | 1.6 V or above   | -   | 4    |                 |   |                             |
|   | Output clock period       |                    | $t_{\text{O}}$   | 250 | -    | ns              |   | Figure 2.71                 |
|   | Input clock period        |                    | $t_{\text{I}}$   | 250 | -    | ns              |   |                             |
|   | Clock high pulse width    | 1.8 V or above     | $t_{\text{HC}}$  | 100 | -    | ns              |   |                             |
|   |                           | 1.6 V or above     |                  | 200 | -    |                 |   |                             |
|   | Clock low pulse width     | 1.8 V or above     | $t_{\text{LC}}$  | 100 | -    | ns              |   |                             |
|   |                           | 1.6 V or above     |                  | 200 | -    |                 |   |                             |
|   | Clock rise time           |                    | $t_{\text{RC}}$  | -   | 25   | ns              |   |                             |
|   | Data delay                | 2.7 V or above     | $t_{\text{DTR}}$ | -   | 65   | ns              |   | Figure 2.72,<br>Figure 2.73 |
|   |                           | 1.8 V or above     |                  | -   | 105  |                 |   |                             |
|   |                           | 1.6 V or above     |                  | -   | 140  |                 |   |                             |
| Set-up time   | 2.7 V or above            | $t_{\text{SR}}$    | 65               | -   | ns   |                 |   |                             |
|   | 1.8 V or above            |                    | 90               | -   |      |                 |   |                             |
|   | 1.6 V or above            |                    | 140              | -   |      |                 |   |                             |
| Hold time   |                           | $t_{\text{HTR}}$   | 40               | -   | ns   |                 |   |                             |
| SSITXD0 output delay from SSILRCK/SSIFS change time | 1.8 V or above            | $t_{\text{DTRW}}$  | -                | 105 | ns   | Figure 2.74     |   |                             |
|   | 1.6 V or above            |                    | -                | 140 |      |                 |   |                             |



**Figure 2.71 SSIE clock input/output timing**

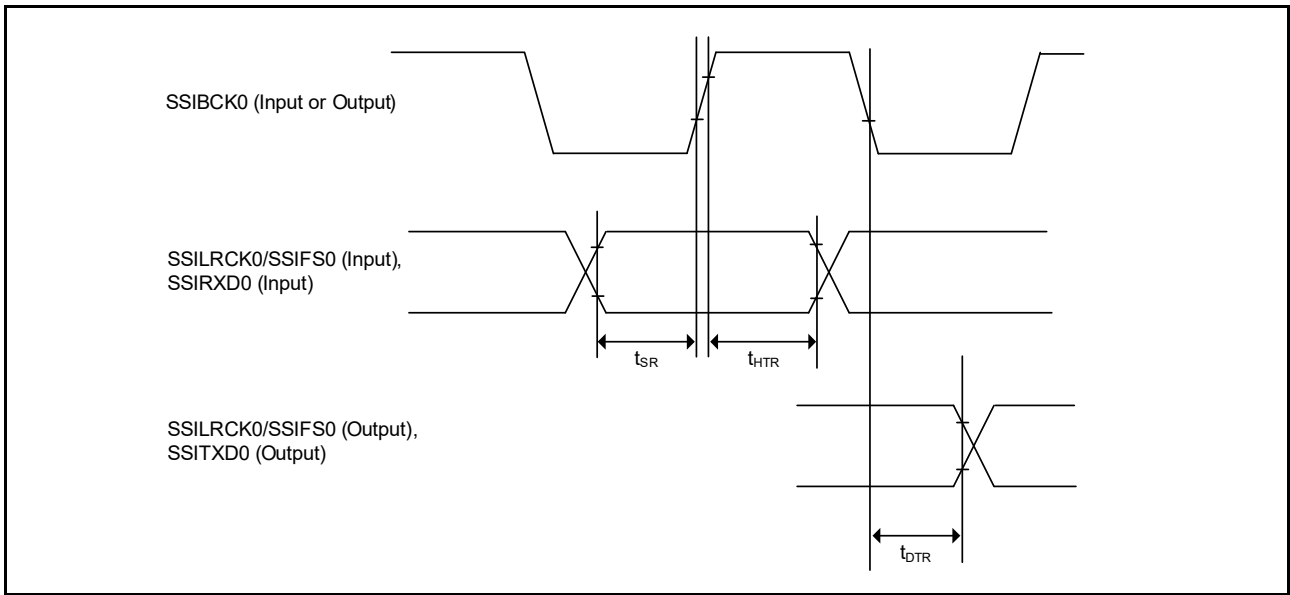


Figure 2.72 SSIE data transmit/receive timing (SSICR.BCKP = 0)

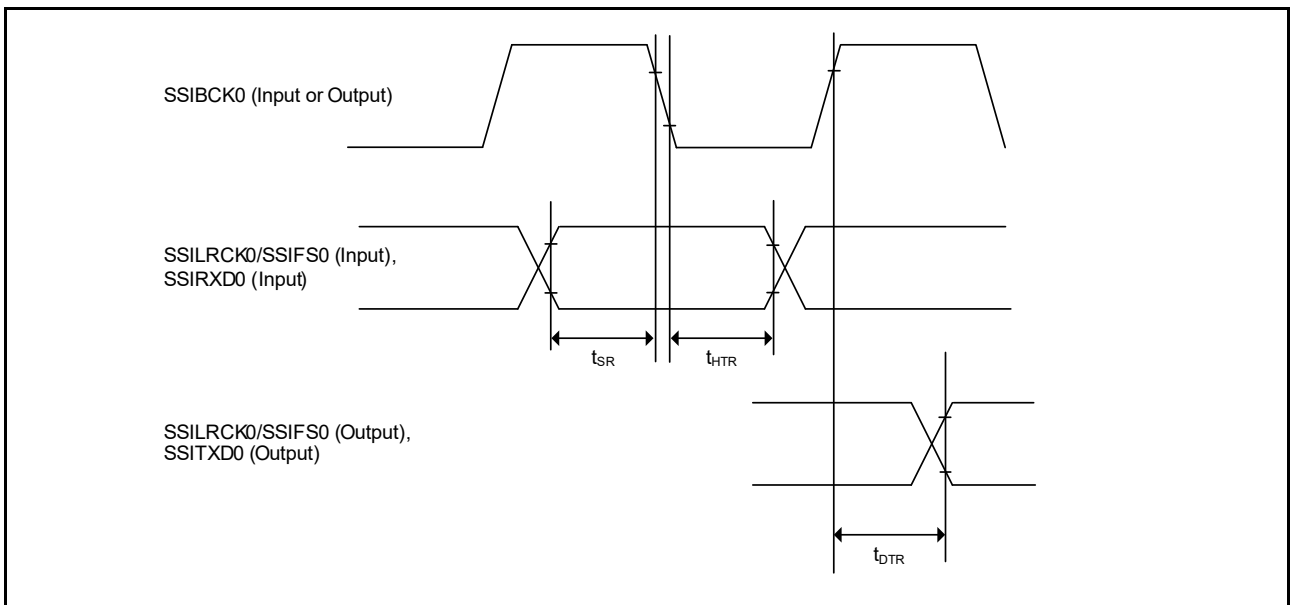


Figure 2.73 SSIE data transmit/receive timing (SSICR.BCKP = 1)

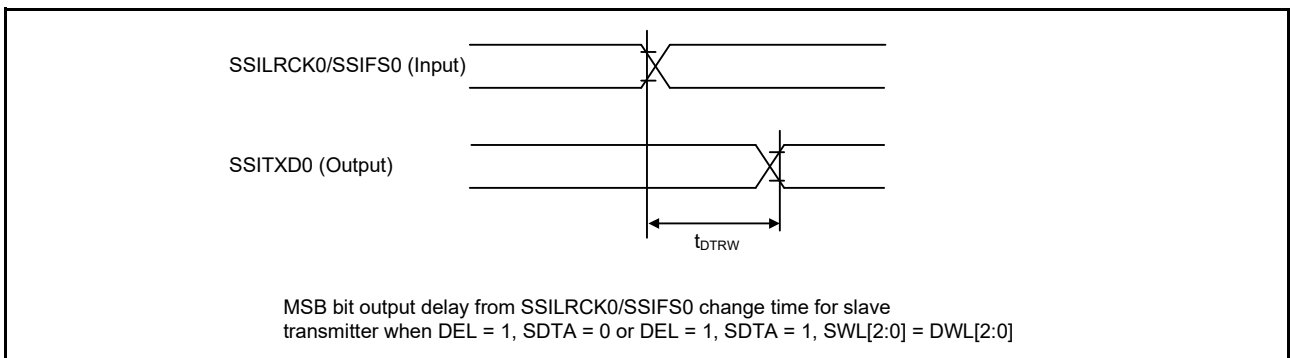


Figure 2.74 SSIE data output delay from SSILRCK0/SSIFS0 change time

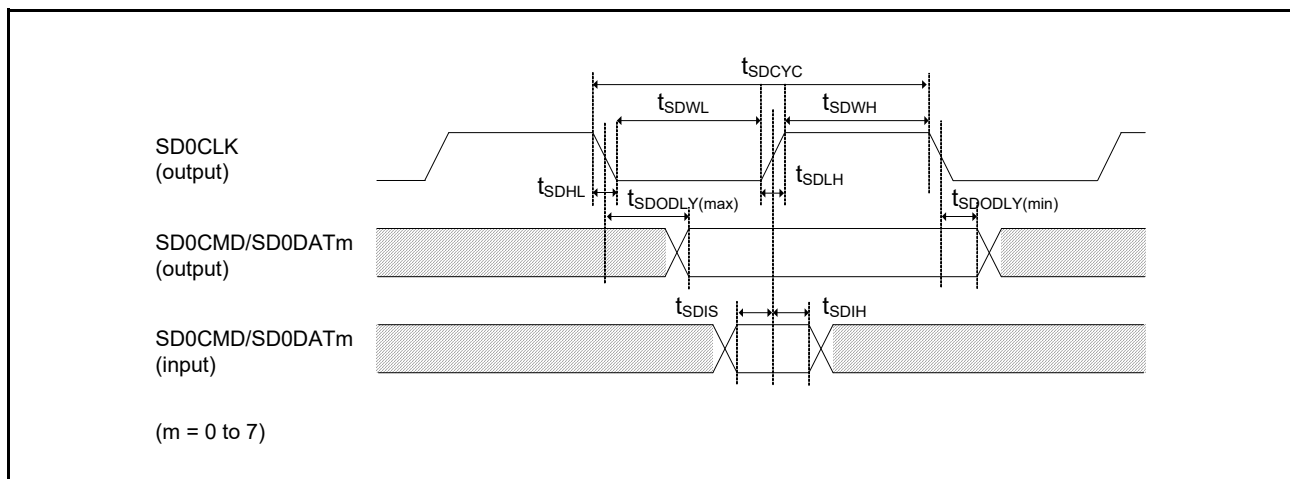
## 2.3.14 SD/MMC Host Interface Timing

**Table 2.44 SD/MMC host interface signal timing**

Conditions: VCC = 2.7 to 5.5 V

Middle drive output is selected in the Port Drive Capability in PmnPFS register

| Parameter                          | Symbol       | Min    | Max   | Unit | Test conditions |
|------------------------------------|--------------|--------|-------|------|-----------------|
| SDCLK clock cycle                  | $t_{SDCYC}$  | 62.5   | -     | ns   | Figure 2.75     |
| SDCLK clock high-level pulse width | $t_{SDWH}$   | 18.25  | -     | ns   |                 |
| SDCLK clock low-level pulse width  | $t_{SDWL}$   | 18.25  | -     | ns   |                 |
| SDCLK clock rising time            | $t_{SDLH}$   | -      | 10    | ns   |                 |
| SDCLK clock falling time           | $t_{SDHL}$   | -      | 10    | ns   |                 |
| SDCMD/SDDAT output data delay      | $t_{SDODLY}$ | -18.25 | 18.25 | ns   |                 |
| SDCMD/SDDAT input data setup       | $t_{SDIS}$   | 9.25   | -     | ns   |                 |
| SDCMD/SDDAT input data hold        | $t_{SDIH}$   | 23.25  | -     | ns   |                 |

**Figure 2.75 SD/MMC host interface signal timing**

## 2.3.15 CLKOUT Timing

Table 2.45 CLKOUT timing

| Parameter                   |                               |                      | Symbol    | Min  | Max | Unit*1 | Test conditions |
|-----------------------------|-------------------------------|----------------------|-----------|------|-----|--------|-----------------|
| CLKOUT                      | CLKOUT pin output cycle*1     | VCC = 2.7 V or above | $t_{Cyc}$ | 62.5 | -   | ns     | Figure 2.76     |
|                             |                               | VCC = 1.8 V or above |           | 125  | -   |        |                 |
|                             |                               | VCC = 1.6 V or above |           | 250  | -   |        |                 |
|                             | CLKOUT pin high pulse width*2 | VCC = 2.7 V or above | $t_{CH}$  | 15   | -   | ns     |                 |
|                             |                               | VCC = 1.8 V or above |           | 30   | -   |        |                 |
|                             |                               | VCC = 1.6 V or above |           | 150  | -   |        |                 |
|                             | CLKOUT pin low pulse width*2  | VCC = 2.7 V or above | $t_{CL}$  | 15   | -   | ns     |                 |
|                             |                               | VCC = 1.8 V or above |           | 30   | -   |        |                 |
|                             |                               | VCC = 1.6 V or above |           | 150  | -   |        |                 |
|                             | CLKOUT pin output rise time   | VCC = 2.7 V or above | $t_{Cr}$  | -    | 12  | ns     |                 |
|                             |                               | VCC = 1.8 V or above |           | -    | 25  |        |                 |
|                             |                               | VCC = 1.6 V or above |           | -    | 50  |        |                 |
| CLKOUT pin output fall time | VCC = 2.7 V or above          | $t_{Cf}$             | -         | 12   | ns  |        |                 |
|                             | VCC = 1.8 V or above          |                      | -         | 25   |     |        |                 |
|                             | VCC = 1.6 V or above          |                      | -         | 50   |     |        |                 |

Note 1. When the EXTAL external clock input or an oscillator is used with division by 1 (the CKOCR.CKOSSEL[2:0] bits are 011b and the CKOCR.CKODIV[2:0] bits are 000b) to output from CLKOUT, the above should be satisfied with an input duty cycle of 45 to 55%.

Note 2. When the MOCO is selected as the clock output source (the CKOCR.CKOSSEL[2:0] bits are 001b), set the clock output division ratio selection to be divided by 2 (the CKOCR.CKODIV[2:0] bits are 001b).

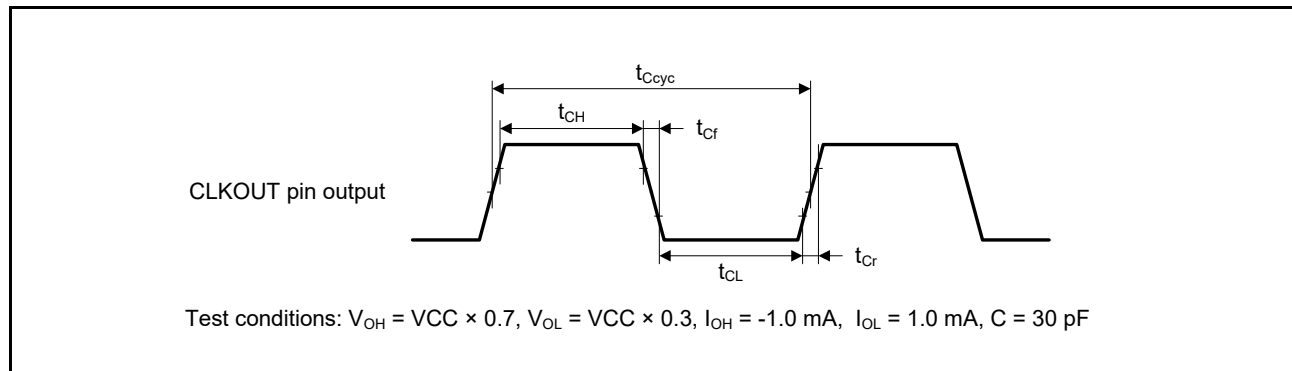


Figure 2.76 CLKOUT output timing

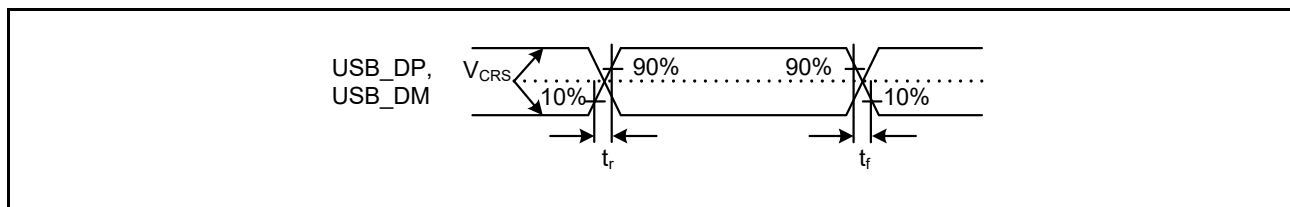
## 2.4 USB Characteristics

### 2.4.1 USBFS Timing

**Table 2.46 USB characteristics**

Conditions: VCC = VCC\_USB = 3.0 to 3.6 V, Ta = -20 to +85°C (USBCLKSEL = 1), Ta = -40 to +105°C (USBCLKSEL = 0)

| Parameter                              |                                | Symbol         | Min              | Max              | Unit  | Test conditions                             |    |
|--|--------------------------------|----------------|------------------|------------------|---|---|----|
| Input characteristics                  | Input high-level voltage       | $V_{IH}$       | 2.0              | -                | V   | -   |    |
|  | Input low level voltage        | $V_{IL}$       | -                | 0.8              | V   | -   |    |
|  | Differential input sensitivity | $V_{DI}$       | 0.2              | -                | V   | USB_DP - USB_DM                             |    |
|  | Differential common mode range | $V_{CM}$       | 0.8              | 2.5              | V   | -   |    |
| Output characteristics                 | Output high-level voltage      | $V_{OH}$       | 2.8              | VCC_USB          | V   | $I_{OH} = -200 \mu A$                       |    |
|  | Output low level voltage       | $V_{OL}$       | 0.0              | 0.3              | V   | $I_{OL} = 2 \text{ mA}$                     |    |
|  | Cross-over voltage             | $V_{CRS}$      | 1.3              | 2.0              | V   | Figure 2.77,<br>Figure 2.78,<br>Figure 2.79 |    |
|  | Rise time                      | FS             | $t_r$            | 4                | 20  |   | ns |
|  |                                | LS             |                  | 75               | 300   |   |    |
|  | Fall time                      | FS             | $t_f$            | 4                | 20  |   | ns |
|  |                                | LS             |                  | 75               | 300   |   |    |
|  | Rise/fall time ratio           | FS             | $t_r/t_f$        | 90               | 111.11  |   | %  |
| LS                                     |                                |                | 80               | 125              |   |   |    |
| Output resistance                      | $Z_{DRV}$                      | 28             | 44               | $\Omega$         | Adjusting the resistance of external elements is not required |   |    |
| VBUS characteristics                   | VBUS input voltage             | $V_{IH}$       | $VCC \times 0.8$ | -                | V   | -   |    |
|  |                                | $V_{IL}$       | -                | $VCC \times 0.2$ | V   | -   |    |
| Pull-up, pull-down                     | Pull-down resistor             | $R_{PD}$       | 14.25            | 24.80            | k $\Omega$  | -   |    |
|  | Pull-up resistor               | $R_{PUI}$      | 0.9              | 1.575            | k $\Omega$  | During idle state                           |    |
|  |                                | $R_{PUA}$      | 1.425            | 3.09             | k $\Omega$  | During reception                            |    |
| Battery Charging Specification Ver 1.2 | D+ sink current                | $I_{DP\_SINK}$ | 25               | 175              | $\mu A$   | -   |    |
|  | D- sink current                | $I_{DM\_SINK}$ | 25               | 175              | $\mu A$   | -   |    |
|  | DCD source current             | $I_{DP\_SRC}$  | 7                | 13               | $\mu A$   | -   |    |
|  | Data detection voltage         | $V_{DAT\_REF}$ | 0.25             | 0.4              | V   | -   |    |
|  | D+ source voltage              | $V_{DP\_SRC}$  | 0.5              | 0.7              | V   | Output current = 250 $\mu A$                |    |
|  | D- source voltage              | $V_{DM\_SRC}$  | 0.5              | 0.7              | V   | Output current = 250 $\mu A$                |    |



**Figure 2.77 USB\_DP and USB\_DM output timing**

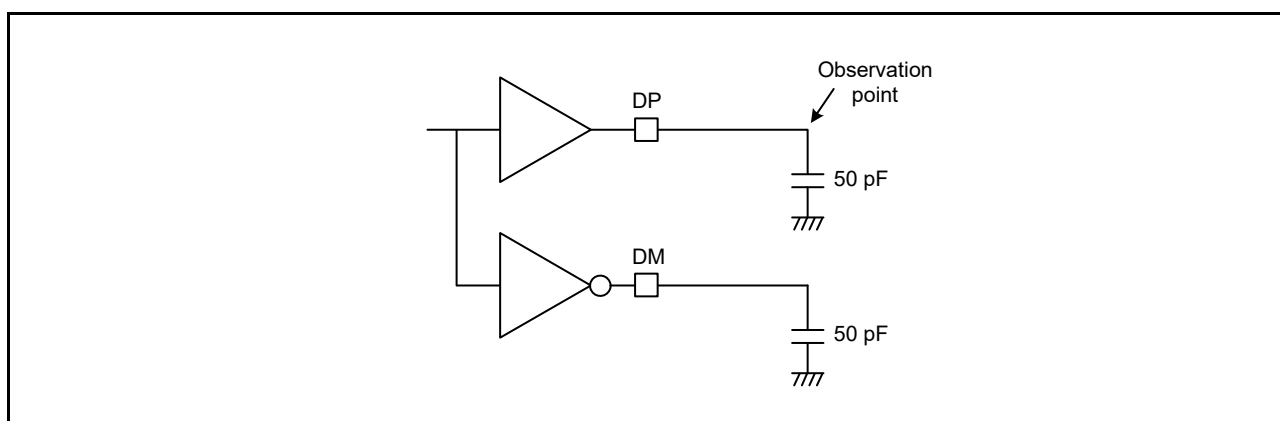


Figure 2.78 Test circuit for Full-Speed (FS) connection

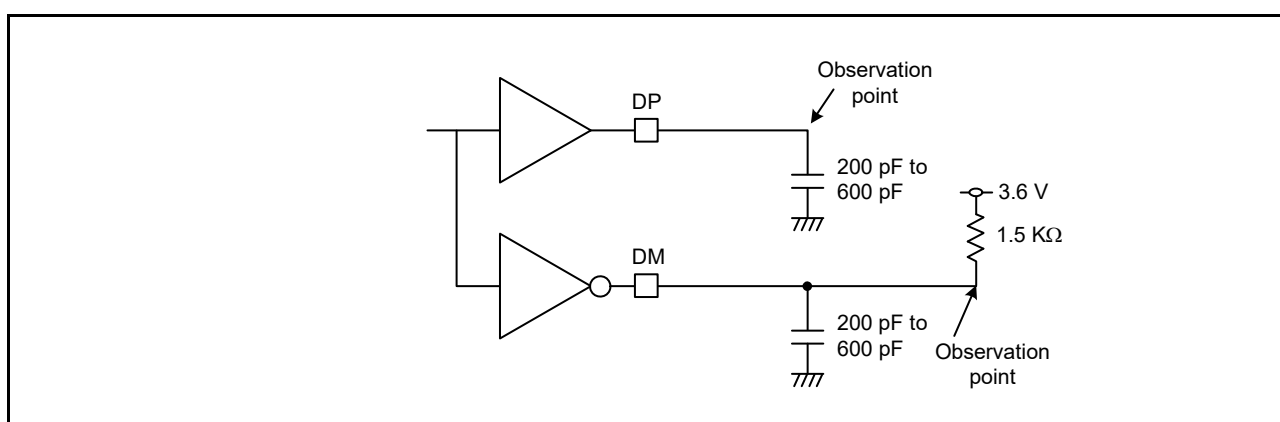


Figure 2.79 Test circuit for Low-Speed (LS) connection

## 2.4.2 USB External Supply

Table 2.47 USB regulator

| Parameter              | Min                | Typ | Max | Unit | Test conditions |   |
|------------------------|--------------------|-----|-----|------|-----------------|---|
| VCC_USB supply current | VCC_USB_LDO ≥ 3.8V | -   | -   | 50   | mA              | - |
|                        | VCC_USB_LDO ≥ 4.5V | -   | -   | 100  | mA              | - |
| VCC_USB supply voltage | 3.0                | -   | 3.6 | V    | -               |   |

## 2.5 ADC14 Characteristics

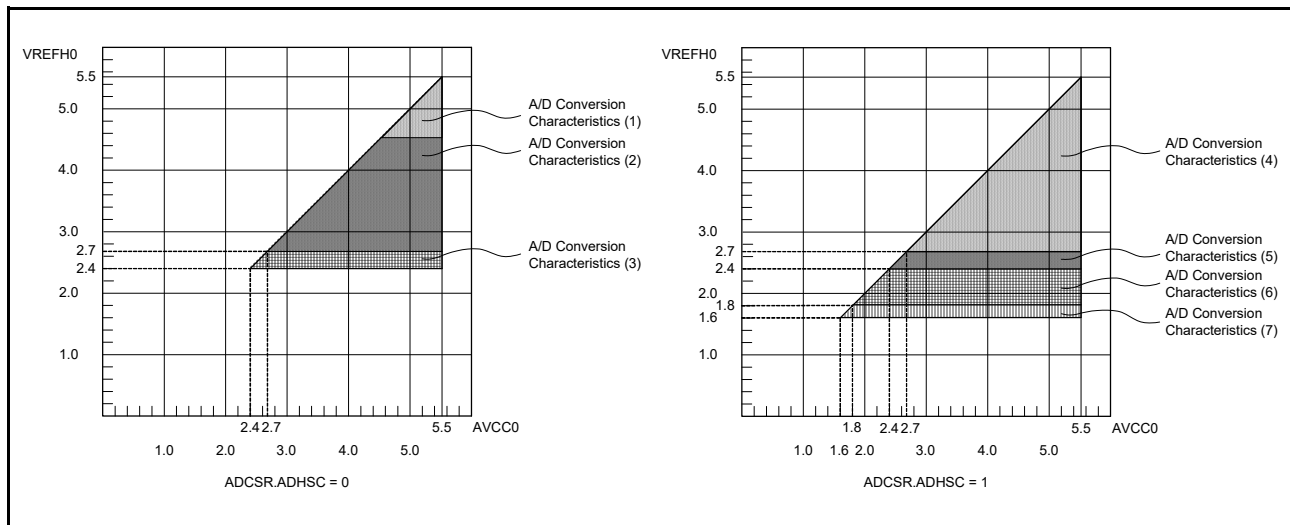


Figure 2.80 AVCC0 to VREFH0 voltage range

Table 2.48 A/D conversion characteristics (1) in high-speed A/D conversion mode (1 of 2)

Conditions:  $V_{CC} = AV_{CC0} = 4.5$  to  $5.5$  V,  $V_{REFH0} = 4.5$  to  $5.5$  V  
Reference voltage range applied to the  $V_{REFH0}$  and  $V_{REFL0}$ .

| Parameter   | Min   | Typ        | Max                  | Unit       | Test conditions          |   |
|---|---|------------|----------------------|------------|--------------------------|---|
| Frequency   | 1   | -          | 64                   | MHz        | -                        |   |
| Analog input capacitance*2                            | Cs  | -          | 8 (reference data)   | pF         | High-precision channel   |   |
|   |   | -          | 9 (reference data)   | pF         | Normal-precision channel |   |
| Analog input resistance                               | Rs  | -          | 2.5 (reference data) | k $\Omega$ | High-precision channel   |   |
|   |   | -          | 6.7 (reference data) | k $\Omega$ | Normal-precision channel |   |
| Analog input voltage range                            | Ain   | 0          | VREFH0               | V          | -                        |   |
| 12-bit mode   |   |            |                      |            |                          |   |
| Resolution  | -   | -          | 12                   | Bit        | -                        |   |
| Conversion time*1<br>(Operation at<br>PCLKC = 64 MHz) | Permissible signal<br>source impedance<br>Max. = 0.3 k $\Omega$ | 0.70       | -                    | -          | $\mu$ s                  | High-precision channel<br>ADCSR.ADHSC = 0<br>ADSSTRn.SST[7:0] = 0Dh   |
|   |   | 1.13       | -                    | -          | $\mu$ s                  | Normal-precision channel<br>ADCSR.ADHSC = 0<br>ADSSTRn.SST[7:0] = 28h |
| Offset error  | -   | $\pm 0.5$  | $\pm 4.5$            | LSB        | High-precision channel   |   |
|   |   |            | $\pm 6.0$            | LSB        | Other than above         |   |
| Full-scale error                                      | -   | $\pm 0.75$ | $\pm 4.5$            | LSB        | High-precision channel   |   |
|   |   |            | $\pm 6.0$            | LSB        | Other than above         |   |
| Quantization error                                    | -   | $\pm 0.5$  | -                    | LSB        | -                        |   |
| Absolute accuracy                                     | -   | $\pm 1.25$ | $\pm 5.0$            | LSB        | High-precision channel   |   |
|   |   |            | $\pm 8.0$            | LSB        | Other than above         |   |
| DNL differential nonlinearity error                   | -   | $\pm 1.0$  | -                    | LSB        | -                        |   |
| INL integral nonlinearity error                       | -   | $\pm 1.0$  | $\pm 3.0$            | LSB        | -                        |   |
| 14-bit mode   |   |            |                      |            |                          |   |
| Resolution  | -   | -          | 14                   | Bit        | -                        |   |



**Table 2.48 A/D conversion characteristics (1) in high-speed A/D conversion mode (2 of 2)**

Conditions: VCC = AVCC0 = 4.5 to 5.5 V, VREFH0 = 4.5 to 5.5 V  
Reference voltage range applied to the VREFH0 and VREFL0.

| Parameter   |   | Min  | Typ  | Max   | Unit | Test conditions   |
|---|---|------|------|-------|------|---|
| Conversion time*1<br>(Operation at<br>PCLKC = 64 MHz) | Permissible signal<br>source impedance<br>Max. = 0.3 kΩ | 0.80 | -    | -     | μs   | High-precision channel<br>ADCSR.ADHSC = 0<br>ADSSTRn.SST[7:0] = 0Dh   |
|   |   | 1.22 | -    | -     | μs   | Normal-precision channel<br>ADCSR.ADHSC = 0<br>ADSSTRn.SST[7:0] = 28h |
| Offset error  |   | -    | ±2.0 | ±18   | LSB  | High-precision channel  |
|   |   |      |      | ±24.0 | LSB  | Other than above  |
| Full-scale error                                      |   | -    | ±3.0 | ±18   | LSB  | High-precision channel  |
|   |   |      |      | ±24.0 | LSB  | Other than above  |
| Quantization error                                    |   | -    | ±0.5 | -     | LSB  | -   |
| Absolute accuracy                                     |   | -    | ±5.0 | ±20   | LSB  | High-precision channel  |
|   |   |      |      | ±32.0 | LSB  | Other than above  |
| DNL differential nonlinearity error                   |   | -    | ±4.0 | -     | LSB  | -   |
| INL integral nonlinearity error                       |   | -    | ±4.0 | ±12.0 | LSB  | -   |

Note: The characteristics apply when no pin functions other than 14-bit A/D converter input are used. Absolute accuracy does not include quantization errors. Offset error, full-scale error, DNL differential nonlinearity error, and INL integral nonlinearity error do not include quantization errors.

Note 1. The conversion time is the sum of the sampling time and the comparison time. The number of sampling states is indicated for the test conditions.

Note 2. Except for I/O input capacitance (Cin), see [section 2.2.4, I/O V<sub>OH</sub>, V<sub>OL</sub>, and Other Characteristics](#).

**Table 2.49 A/D conversion characteristics (2) in high-speed A/D conversion mode (1 of 2)**

Conditions: VCC = AVCC0 = 2.7 to 5.5 V, VREFH0 = 2.7 to 5.5 V  
Reference voltage range applied to the VREFH0 and VREFL0.

| Parameter   |   | Min  | Typ   | Max                  | Unit | Test conditions   |
|---|---|------|-------|----------------------|------|---|
| Frequency   |   | 1    | -     | 48                   | MHz  | -   |
| Analog input capacitance*2                            | Cs  | -    | -     | 8 (reference data)   | pF   | High-precision channel  |
|   |   | -    | -     | 9 (reference data)   | pF   | Normal-precision channel  |
| Analog input resistance                               | Rs  | -    | -     | 2.5 (reference data) | kΩ   | High-precision channel  |
|   |   | -    | -     | 6.7 (reference data) | kΩ   | Normal-precision channel  |
| Analog input voltage range                            | Ain   | 0    | -     | VREFH0               | V    | -   |
| 12-bit mode   |   |      |       |                      |      |   |
| Resolution  |   | -    | -     | 12                   | Bit  | -   |
| Conversion time*1<br>(Operation at<br>PCLKC = 48 MHz) | Permissible signal<br>source impedance<br>Max. = 0.3 kΩ | 0.94 | -     | -                    | μs   | High-precision channel<br>ADCSR.ADHSC = 0<br>ADSSTRn.SST[7:0] = 0Dh   |
|   |   | 1.50 | -     | -                    | μs   | Normal-precision channel<br>ADCSR.ADHSC = 0<br>ADSSTRn.SST[7:0] = 28h |
| Offset error  |   | -    | ±0.5  | ±4.5                 | LSB  | High-precision channel  |
|   |   |      |       | ±6.0                 | LSB  | Other than above  |
| Full-scale error                                      |   | -    | ±0.75 | ±4.5                 | LSB  | High-precision channel  |
|   |   |      |       | ±6.0                 | LSB  | Other than above  |
| Quantization error                                    |   | -    | ±0.5  | -                    | LSB  | -   |
| Absolute accuracy                                     |   | -    | ±1.25 | ±5.0                 | LSB  | High-precision channel  |
|   |   |      |       | ±8.0                 | LSB  | Other than above  |
| DNL differential nonlinearity error                   |   | -    | ±1.0  | -                    | LSB  | -   |
| INL integral nonlinearity error                       |   | -    | ±1.0  | ±3.0                 | LSB  | -   |

**Table 2.49 A/D conversion characteristics (2) in high-speed A/D conversion mode (2 of 2)**

Conditions: VCC = AVCC0 = 2.7 to 5.5 V, VREFH0 = 2.7 to 5.5 V  
Reference voltage range applied to the VREFH0 and VREFL0.

| Parameter   |   | Min  | Typ  | Max   | Unit | Test conditions   |
|---|---|------|------|-------|------|---|
| 14-bit mode   |   |      |      |       |      |   |
| Resolution  |   | -    | -    | 14    | Bit  | -   |
| Conversion time*1<br>(Operation at<br>PCLKC = 48 MHz) | Permissible signal<br>source impedance<br>Max. = 0.3 kΩ | 1.06 | -    | -     | μs   | High-precision channel<br>ADCSR.ADHSC = 0<br>ADSSTRn.SST[7:0] = 0Dh   |
|   |   | 1.63 | -    | -     | μs   | Normal-precision channel<br>ADCSR.ADHSC = 0<br>ADSSTRn.SST[7:0] = 28h |
| Offset error  |   | -    | ±2.0 | ±18   | LSB  | High-precision channel  |
|   |   |      |      | ±24.0 | LSB  | Other than above  |
| Full-scale error                                      |   | -    | ±3.0 | ±18   | LSB  | High-precision channel  |
|   |   |      |      | ±24.0 | LSB  | Other than above  |
| Quantization error                                    |   | -    | ±0.5 | -     | LSB  | -   |
| Absolute accuracy                                     |   | -    | ±5.0 | ±20   | LSB  | High-precision channel  |
|   |   |      |      | ±32.0 | LSB  | Other than above  |
| DNL differential nonlinearity error                   |   | -    | ±4.0 | -     | LSB  | -   |
| INL integral nonlinearity error                       |   | -    | ±4.0 | ±12.0 | LSB  | -   |

Note: The characteristics apply when no pin functions other than 14-bit A/D converter input are used. Absolute accuracy does not include quantization errors. Offset error, full-scale error, DNL differential nonlinearity error, and INL integral nonlinearity error do not include quantization errors.

Note 1. The conversion time is the sum of the sampling time and the comparison time. The number of sampling states is indicated for the test conditions.

Note 2. Except for I/O input capacitance (Cin), see [section 2.2.4, I/O V<sub>OH</sub>, V<sub>OL</sub>, and Other Characteristics](#).

**Table 2.50 A/D conversion characteristics (3) in high-speed A/D conversion mode (1 of 2)**

Conditions: VCC = AVCC0 = 2.4 to 5.5 V, VREFH0 = 2.4 to 5.5 V  
Reference voltage range applied to the VREFH0 and VREFL0.

| Parameter   |   | Min  | Typ   | Max                  | Unit | Test conditions   |
|---|---|------|-------|----------------------|------|---|
| Frequency   |   | 1    | -     | 32                   | MHz  | -   |
| Analog input capacitance*2                            | Cs  | -    | -     | 8 (reference data)   | pF   | High-precision channel  |
|   |   | -    | -     | 9 (reference data)   | pF   | Normal-precision channel  |
| Analog input resistance                               | Rs  | -    | -     | 2.5 (reference data) | kΩ   | High-precision channel  |
|   |   | -    | -     | 6.7 (reference data) | kΩ   | Normal-precision channel  |
| Analog input voltage range                            | Ain   | 0    | -     | VREFH0               | V    | -   |
| 12-bit mode   |   |      |       |                      |      |   |
| Resolution  |   | -    | -     | 12                   | Bit  | -   |
| Conversion time*1<br>(Operation at<br>PCLKC = 32 MHz) | Permissible signal<br>source impedance<br>Max. = 1.3 kΩ | 1.41 | -     | -                    | μs   | High-precision channel<br>ADCSR.ADHSC = 0<br>ADSSTRn.SST[7:0] = 0Dh   |
|   |   | 2.25 | -     | -                    | μs   | Normal-precision channel<br>ADCSR.ADHSC = 0<br>ADSSTRn.SST[7:0] = 28h |
| Offset error  |   | -    | ±0.5  | ±4.5                 | LSB  | High-precision channel  |
|   |   |      |       | ±6.0                 | LSB  | Other than above  |
| Full-scale error                                      |   | -    | ±0.75 | ±4.5                 | LSB  | High-precision channel  |
|   |   |      |       | ±6.0                 | LSB  | Other than above  |
| Quantization error                                    |   | -    | ±0.5  | -                    | LSB  | -   |
| Absolute accuracy                                     |   | -    | ±1.25 | ±5.0                 | LSB  | High-precision channel  |
|   |   |      |       | ±8.0                 | LSB  | Other than above  |

**Table 2.50 A/D conversion characteristics (3) in high-speed A/D conversion mode (2 of 2)**

Conditions: VCC = AVCC0 = 2.4 to 5.5 V, VREFH0 = 2.4 to 5.5 V  
Reference voltage range applied to the VREFH0 and VREFL0.

| Parameter   | Min   | Typ  | Max  | Unit  | Test conditions |   |
|---|---|------|------|-------|-----------------|---|
| DNL differential nonlinearity error                   | -   | ±1.0 | -    | LSB   | -               |   |
| INL integral nonlinearity error                       | -   | ±1.0 | ±3.0 | LSB   | -               |   |
| 14-bit mode   |   |      |      |       |                 |   |
| Resolution  | -   | -    | 14   | Bit   | -               |   |
| Conversion time*1<br>(Operation at<br>PCLKC = 32 MHz) | Permissible signal<br>source impedance<br>Max. = 1.3 kΩ | 1.59 | -    | -     | μs              | High-precision channel<br>ADCSR.ADHSC = 0<br>ADSSTRn.SST[7:0] = 0Dh   |
|   |   | 2.44 | -    | -     | μs              | Normal-precision channel<br>ADCSR.ADHSC = 0<br>ADSSTRn.SST[7:0] = 28h |
| Offset error  |   |      | ±2.0 | ±18   | LSB             | High-precision channel  |
|   |   |      |      | ±24.0 | LSB             | Other than above  |
| Full-scale error                                      |   |      | ±3.0 | ±18   | LSB             | High-precision channel  |
|   |   |      |      | ±24.0 | LSB             | Other than above  |
| Quantization error                                    |   |      | ±0.5 | -     | LSB             | -   |
| Absolute accuracy                                     |   |      | ±5.0 | ±20   | LSB             | High-precision channel  |
|   |   |      |      | ±32.0 | LSB             | Other than above  |
| DNL differential nonlinearity error                   |   |      | ±4.0 | -     | LSB             | -   |
| INL integral nonlinearity error                       |   |      | ±4.0 | ±12.0 | LSB             | -   |

Note: The characteristics apply when no pin functions other than 14-bit A/D converter input are used. Absolute accuracy does not include quantization errors. Offset error, full-scale error, DNL differential nonlinearity error, and INL integral nonlinearity error do not include quantization errors.

Note 1. The conversion time is the sum of the sampling time and the comparison time. The number of sampling states is indicated for the test conditions.

Note 2. Except for I/O input capacitance (Cin), see [section 2.2.4, I/O V<sub>OH</sub>, V<sub>OL</sub>, and Other Characteristics](#).

**Table 2.51 A/D conversion characteristics (4) in low power A/D conversion mode (1 of 2)**

Conditions: VCC = AVCC0 = 2.7 to 5.5 V, VREFH0 = 2.7 to 5.5 V  
Reference voltage range applied to the VREFH0 and VREFL0.

| Parameter   | Min   | Typ  | Max   | Unit                 | Test conditions |   |
|---|---|------|-------|----------------------|-----------------|---|
| Frequency   | 1   | -    | 24    | MHz                  | -               |   |
| Analog input capacitance*2                            | Cs  | -    | -     | 8 (reference data)   | pF              | High-precision channel  |
|   |   | -    | -     | 9 (reference data)   | pF              | Normal-precision channel  |
| Analog input resistance                               | Rs  | -    | -     | 2.5 (reference data) | kΩ              | High-precision channel  |
|   |   | -    | -     | 6.7 (reference data) | kΩ              | Normal-precision channel  |
| Analog input voltage range                            | Ain   | 0    | -     | VREFH0               | V               | -   |
| 12-bit mode   |   |      |       |                      |                 |   |
| Resolution  | -   | -    | 12    | Bit                  | -               |   |
| Conversion time*1<br>(Operation at<br>PCLKC = 24 MHz) | Permissible signal<br>source impedance<br>Max. = 1.1 kΩ | 2.25 | -     | -                    | μs              | High-precision channel<br>ADCSR.ADHSC = 1<br>ADSSTRn.SST[7:0] = 0Dh   |
|   |   | 3.38 | -     | -                    | μs              | Normal-precision channel<br>ADCSR.ADHSC = 1<br>ADSSTRn.SST[7:0] = 28h |
| Offset error  |   |      | ±0.5  | ±4.5                 | LSB             | High-precision channel  |
|   |   |      |       | ±6.0                 | LSB             | Other than above  |
| Full-scale error                                      |   |      | ±0.75 | ±4.5                 | LSB             | High-precision channel  |
|   |   |      |       | ±6.0                 | LSB             | Other than above  |
| Quantization error                                    |   |      | ±0.5  | -                    | LSB             | -   |

**Table 2.51 A/D conversion characteristics (4) in low power A/D conversion mode (2 of 2)**

Conditions: VCC = AVCC0 = 2.7 to 5.5 V, VREFH0 = 2.7 to 5.5 V  
Reference voltage range applied to the VREFH0 and VREFL0.

| Parameter   | Min   | Typ   | Max   | Unit | Test conditions        |   |
|---|---|-------|-------|------|------------------------|---|
| Absolute accuracy                                     |   | ±1.25 | ±5.0  | LSB  | High-precision channel |   |
|   |   |       | ±8.0  | LSB  | Other than above       |   |
| DNL differential nonlinearity error                   | -   | ±1.0  | -     | LSB  | -                      |   |
| INL integral nonlinearity error                       | -   | ±1.0  | ±3.0  | LSB  | -                      |   |
| 14-bit mode   |   |       |       |      |                        |   |
| Resolution  | -   | -     | 14    | Bit  | -                      |   |
| Conversion time*1<br>(Operation at<br>PCLKC = 24 MHz) | Permissible signal<br>source impedance<br>Max. = 1.1 kΩ | 2.50  | -     | -    | μs                     | High-precision channel<br>ADCSR.ADHSC = 1<br>ADSSTRn.SST[7:0] = 0Dh   |
|   |   | 3.63  | -     | -    | μs                     | Normal-precision channel<br>ADCSR.ADHSC = 1<br>ADSSTRn.SST[7:0] = 28h |
| Offset error  |   | ±2.0  | ±18   | LSB  | High-precision channel |   |
|   |   |       | ±24.0 | LSB  | Other than above       |   |
| Full-scale error                                      |   | ±3.0  | ±18   | LSB  | High-precision channel |   |
|   |   |       | ±24.0 | LSB  | Other than above       |   |
| Quantization error                                    | -   | ±0.5  | -     | LSB  | -                      |   |
| Absolute accuracy                                     |   | ±5.0  | ±20   | LSB  | High-precision channel |   |
|   |   |       | ±32.0 | LSB  | Other than above       |   |
| DNL differential nonlinearity error                   | -   | ±4.0  | -     | LSB  | -                      |   |
| INL integral nonlinearity error                       | -   | ±4.0  | ±12.0 | LSB  | -                      |   |

Note: The characteristics apply when no pin functions other than 14-bit A/D converter input are used. Absolute accuracy does not include quantization errors. Offset error, full-scale error, DNL differential nonlinearity error, and INL integral nonlinearity error do not include quantization errors.

Note 1. The conversion time is the sum of the sampling time and the comparison time. The number of sampling states is indicated for the test conditions.

Note 2. Except for I/O input capacitance (Cin), see [section 2.2.4, I/O V<sub>OH</sub>, V<sub>OL</sub>, and Other Characteristics](#).

**Table 2.52 A/D conversion characteristics (5) in low power A/D conversion mode (1 of 2)**

Conditions: VCC = AVCC0 = 2.4 to 5.5 V, VREFH0 = 2.4 to 5.5 V  
Reference voltage range applied to the VREFH0 and VREFL0.

| Parameter   | Min   | Typ  | Max    | Unit                 | Test conditions        |   |
|---|---|------|--------|----------------------|------------------------|---|
| Frequency   | 1   | -    | 16     | MHz                  | -                      |   |
| Analog input capacitance*2                            | Cs  | -    | -      | 8 (reference data)   | pF                     | High-precision channel  |
|   |   | -    | -      | 9 (reference data)   | pF                     | Normal-precision channel  |
| Analog input resistance                               | Rs  | -    | -      | 2.5 (reference data) | kΩ                     | High-precision channel  |
|   |   | -    | -      | 6.7 (reference data) | kΩ                     | Normal-precision channel  |
| Analog input voltage range                            | Ain   | 0    | VREFH0 | V                    | -                      |   |
| 12-bit mode   |   |      |        |                      |                        |   |
| Resolution  | -   | -    | 12     | Bit                  | -                      |   |
| Conversion time*1<br>(Operation at<br>PCLKC = 16 MHz) | Permissible signal<br>source impedance<br>Max. = 2.2 kΩ | 3.38 | -      | -                    | μs                     | High-precision channel<br>ADCSR.ADHSC = 1<br>ADSSTRn.SST[7:0] = 0Dh   |
|   |   | 5.06 | -      | -                    | μs                     | Normal-precision channel<br>ADCSR.ADHSC = 1<br>ADSSTRn.SST[7:0] = 28h |
| Offset error  |   | ±0.5 | ±4.5   | LSB                  | High-precision channel |   |
|   |   |      | ±6.0   | LSB                  | Other than above       |   |

**Table 2.52 A/D conversion characteristics (5) in low power A/D conversion mode (2 of 2)**

Conditions: VCC = AVCC0 = 2.4 to 5.5 V, VREFH0 = 2.4 to 5.5 V  
Reference voltage range applied to the VREFH0 and VREFL0.

| Parameter   |   | Min  | Typ   | Max   | Unit | Test conditions   |
|---|---|------|-------|-------|------|---|
| Full-scale error                                      |   | -    | ±0.75 | ±4.5  | LSB  | High-precision channel  |
|   |   |      |       | ±6.0  | LSB  | Other than above  |
| Quantization error                                    |   | -    | ±0.5  | -     | LSB  | -   |
| Absolute accuracy                                     |   | -    | ±1.25 | ±5.0  | LSB  | High-precision channel  |
|   |   |      |       | ±8.0  | LSB  | Other than above  |
| DNL differential nonlinearity error                   |   | -    | ±1.0  | -     | LSB  | -   |
| INL integral nonlinearity error                       |   | -    | ±1.0  | ±3.0  | LSB  | -   |
| 14-bit mode   |   |      |       |       |      |   |
| Resolution  |   | -    | -     | 14    | Bit  | -   |
| Conversion time*1<br>(Operation at<br>PCLKC = 16 MHz) | Permissible signal<br>source impedance<br>Max. = 2.2 kΩ | 3.75 | -     | -     | μs   | High-precision channel<br>ADCSR.ADHSC = 1<br>ADSSTRn.SST[7:0] = 0Dh   |
|   |   |      |       |       | μs   | Normal-precision channel<br>ADCSR.ADHSC = 1<br>ADSSTRn.SST[7:0] = 28h |
| Offset error  |   | -    | ±2.0  | ±18   | LSB  | High-precision channel  |
|   |   |      |       | ±24.0 | LSB  | Other than above  |
| Full-scale error                                      |   | -    | ±3.0  | ±18   | LSB  | High-precision channel  |
|   |   |      |       | ±24.0 | LSB  | Other than above  |
| Quantization error                                    |   | -    | ±0.5  | -     | LSB  | -   |
| Absolute accuracy                                     |   | -    | ±5.0  | ±20   | LSB  | High-precision channel  |
|   |   |      |       | ±32.0 | LSB  | Other than above  |
| DNL differential nonlinearity error                   |   | -    | ±4.0  | -     | LSB  | -   |
| INL integral nonlinearity error                       |   | -    | ±4.0  | ±12.0 | LSB  | -   |

Note: The characteristics apply when no pin functions other than 14-bit A/D converter input are used. Absolute accuracy does not include quantization errors. Offset error, full-scale error, DNL differential nonlinearity error, and INL integral nonlinearity error do not include quantization errors.

Note 1. The conversion time is the sum of the sampling time and the comparison time. The number of sampling states is indicated for the test conditions.

Note 2. Except for I/O input capacitance (Cin), see [section 2.2.4, I/O V<sub>OH</sub>, V<sub>OL</sub>, and Other Characteristics](#).

**Table 2.53 A/D conversion characteristics (6) in low power A/D conversion mode (1 of 2)**

Conditions: VCC = AVCC0 = 1.8 to 5.5 V (AVCC0 = VCC when VCC < 2.0 V), VREFH0 = 1.8 to 5.5 V  
Reference voltage range applied to the VREFH0 and VREFL0.

| Parameter                  |     | Min | Typ | Max                  | Unit | Test conditions          |
|----------------------------|-----|-----|-----|----------------------|------|--------------------------|
| Frequency                  |     | 1   | -   | 8                    | MHz  | -                        |
| Analog input capacitance*2 | Cs  | -   | -   | 8 (reference data)   | pF   | High-precision channel   |
|                            |     |     |     | 9 (reference data)   | pF   | Normal-precision channel |
| Analog input resistance    | Rs  | -   | -   | 3.8 (reference data) | kΩ   | High-precision channel   |
|                            |     |     |     | 8.2 (reference data) | kΩ   | Normal-precision channel |
| Analog input voltage range | Ain | 0   | -   | VREFH0               | V    | -                        |
| 12-bit mode                |     |     |     |                      |      |                          |
| Resolution                 |     | -   | -   | 12                   | Bit  | -                        |

**Table 2.53 A/D conversion characteristics (6) in low power A/D conversion mode (2 of 2)**

Conditions: VCC = AVCC0 = 1.8 to 5.5 V (AVCC0 = VCC when VCC < 2.0 V), VREFH0 = 1.8 to 5.5 V  
Reference voltage range applied to the VREFH0 and VREFL0.

| Parameter  |   | Min   | Typ   | Max   | Unit | Test conditions   |
|--|---|-------|-------|-------|------|---|
| Conversion time*1<br>(Operation at<br>PCLKC = 8 MHz) | Permissible signal<br>source impedance<br>Max. = 5 kΩ | 6.75  | -     | -     | μs   | High-precision<br>channel<br>ADCSR.ADHSC = 1<br>ADSSTRn.SST[7:0]<br>= 0Dh   |
|  |   | 10.13 | -     | -     | μs   | Normal-precision<br>channel<br>ADCSR.ADHSC = 1<br>ADSSTRn.SST[7:0]<br>= 28h |
| Offset error   |   | -     | ±1.0  | ±7.5  | LSB  | High-precision<br>channel   |
|  |   |       |       | ±10.0 | LSB  | Other than above  |
| Full-scale error                                     |   | -     | ±1.5  | ±7.5  | LSB  | High-precision<br>channel   |
|  |   |       |       | ±10.0 | LSB  | Other than above  |
| Quantization error                                   |   | -     | ±0.5  | -     | LSB  | -   |
| Absolute accuracy                                    |   | -     | ±3.0  | ±8.0  | LSB  | High-precision<br>channel   |
|  |   |       |       | ±12.0 | LSB  | Other than above  |
| DNL differential nonlinearity error                  |   | -     | ±1.0  | -     | LSB  | -   |
| INL integral nonlinearity error                      |   | -     | ±1.0  | ±3.0  | LSB  | -   |
| 14-bit mode  |   |       |       |       |      |   |
| Resolution   |   | -     | -     | 14    | Bit  | -   |
| Conversion time*1<br>(Operation at<br>PCLKC = 8 MHz) | Permissible signal<br>source impedance<br>Max. = 5 kΩ | 7.50  | -     | -     | μs   | High-precision<br>channel<br>ADCSR.ADHSC = 1<br>ADSSTRn.SST[7:0]<br>= 0Dh   |
|  |   | 10.88 | -     | -     | μs   | Normal-precision<br>channel<br>ADCSR.ADHSC = 1<br>ADSSTRn.SST[7:0]<br>= 28h |
| Offset error   |   | -     | ±4.0  | ±30.0 | LSB  | High-precision<br>channel   |
|  |   |       |       | ±40.0 | LSB  | Other than above  |
| Full-scale error                                     |   | -     | ±6.0  | ±30.0 | LSB  | High-precision<br>channel   |
|  |   |       |       | ±40.0 | LSB  | Other than above  |
| Quantization error                                   |   | -     | ±0.5  | -     | LSB  | -   |
| Absolute accuracy                                    |   | -     | ±12.0 | ±32.0 | LSB  | High-precision<br>channel   |
|  |   |       |       | ±48.0 | LSB  | Other than above  |
| DNL differential nonlinearity error                  |   | -     | ±4.0  | -     | LSB  | -   |
| INL integral nonlinearity error                      |   | -     | ±4.0  | ±12.0 | LSB  | -   |

Note: The characteristics apply when no pin functions other than 14-bit A/D converter input are used. Absolute accuracy does not include quantization errors. Offset error, full-scale error, DNL differential nonlinearity error, and INL integral nonlinearity error do not include quantization errors.

Note 1. The conversion time is the sum of the sampling time and the comparison time. The number of sampling states is indicated for the test conditions.

Note 2. Except for I/O input capacitance (Cin), see [section 2.2.4, I/O V<sub>OH</sub>, V<sub>OL</sub>, and Other Characteristics](#).

**Table 2.54 A/D conversion characteristics (7) in low power A/D conversion mode**

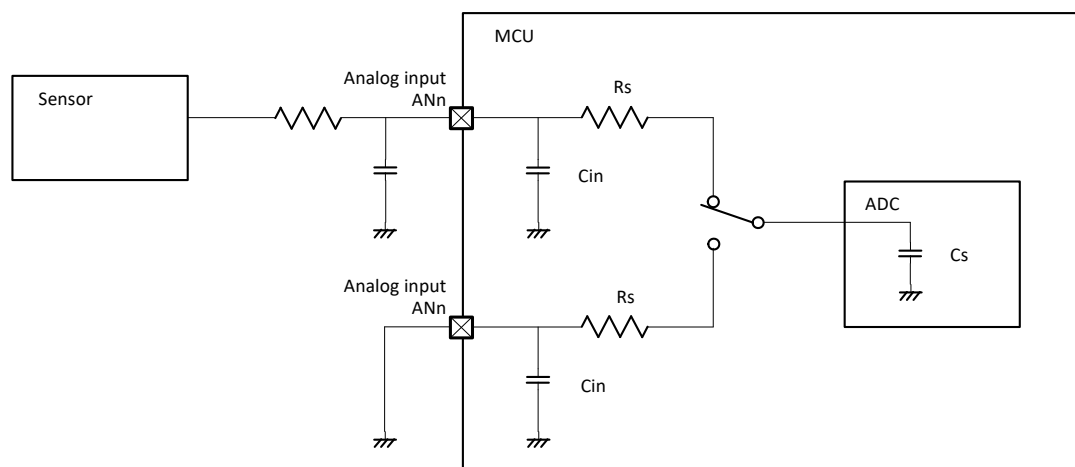
Conditions:  $V_{CC} = AV_{CC0} = 1.6$  to  $5.5$  V ( $AV_{CC0} = V_{CC}$  when  $V_{CC} < 2.0$  V),  $V_{REFH0} = 1.6$  to  $5.5$  V  
Reference voltage range applied to the  $V_{REFH0}$  and  $V_{REFL0}$ .

| Parameter  |   | Min   | Typ        | Max                   | Unit       | Test conditions   |
|--|---|-------|------------|-----------------------|------------|---|
| Frequency  |   | 1     | -          | 4                     | MHz        | -   |
| Analog input capacitance*2                           | Cs  | -     | -          | 8 (reference data)    | pF         | High-precision channel  |
|  |   | -     | -          | 9 (reference data)    | pF         | Normal-precision channel  |
| Analog input resistance                              | Rs  | -     | -          | 13.1 (reference data) | k $\Omega$ | High-precision channel  |
|  |   | -     | -          | 14.3 (reference data) | k $\Omega$ | Normal-precision channel  |
| Analog input voltage range                           | Ain   | 0     | -          | VREFH0                | V          | -   |
| 12-bit mode  |   |       |            |                       |            |   |
| Resolution   |   | -     | -          | 12                    | Bit        | -   |
| Conversion time*1<br>(Operation at<br>PCLKC = 4 MHz) | Permissible signal<br>source impedance<br>Max. = 9.9 k $\Omega$ | 13.5  | -          | -                     | $\mu$ s    | High-precision channel<br>ADCSR.ADHSC = 1<br>ADSSTRn.SST[7:0] = 0Dh   |
|  |   | 20.25 | -          | -                     | $\mu$ s    | Normal-precision channel<br>ADCSR.ADHSC = 1<br>ADSSTRn.SST[7:0] = 28h |
| Offset error   |   | -     | $\pm 1.0$  | $\pm 7.5$             | LSB        | High-precision channel  |
|  |   |       |            | $\pm 10.0$            | LSB        | Other than above  |
| Full-scale error                                     |   | -     | $\pm 1.5$  | $\pm 7.5$             | LSB        | High-precision channel  |
|  |   |       |            | $\pm 10.0$            | LSB        | Other than above  |
| Quantization error                                   |   | -     | $\pm 0.5$  | -                     | LSB        | -   |
| Absolute accuracy                                    |   | -     | $\pm 3.0$  | $\pm 8.0$             | LSB        | High-precision channel  |
|  |   |       |            | $\pm 12.0$            | LSB        | Other than above  |
| DNL differential nonlinearity error                  |   | -     | $\pm 1.0$  | -                     | LSB        | -   |
| INL integral nonlinearity error                      |   | -     | $\pm 1.0$  | $\pm 3.0$             | LSB        | -   |
| 14-bit mode  |   |       |            |                       |            |   |
| Resolution   |   | -     | -          | 14                    | Bit        | -   |
| Conversion time*1<br>(Operation at<br>PCLKC = 4 MHz) | Permissible signal<br>source impedance<br>Max. = 9.9 k $\Omega$ | 15.0  | -          | -                     | $\mu$ s    | High-precision channel<br>ADCSR.ADHSC = 1<br>ADSSTRn.SST[7:0] = 0Dh   |
|  |   | 21.75 | -          | -                     | $\mu$ s    | Normal-precision channel<br>ADCSR.ADHSC = 1<br>ADSSTRn.SST[7:0] = 28h |
| Offset error   |   | -     | $\pm 4.0$  | $\pm 30.0$            | LSB        | High-precision channel  |
|  |   |       |            | $\pm 40.0$            | LSB        | Other than above  |
| Full-scale error                                     |   | -     | $\pm 6.0$  | $\pm 30.0$            | LSB        | High-precision channel  |
|  |   |       |            | $\pm 40.0$            | LSB        | Other than above  |
| Quantization error                                   |   | -     | $\pm 0.5$  | -                     | LSB        | -   |
| Absolute accuracy                                    |   | -     | $\pm 12.0$ | $\pm 32.0$            | LSB        | High-precision channel  |
|  |   |       |            | $\pm 48.0$            | LSB        | Other than above  |
| DNL differential nonlinearity error                  |   | -     | $\pm 4.0$  | -                     | LSB        | -   |
| INL integral nonlinearity error                      |   | -     | $\pm 4.0$  | $\pm 12.0$            | LSB        | -   |

Note: The characteristics apply when no pin functions other than 14-bit A/D converter input are used. Absolute accuracy does not include quantization errors. Offset error, full-scale error, DNL differential nonlinearity error, and INL integral nonlinearity error do not include quantization errors.

Note 1. The conversion time is the sum of the sampling time and the comparison time. The number of sampling states is indicated for the test conditions.

Note 2. Except for I/O input capacitance (Cin), see [section 2.2.4, I/O  \$V\_{OH}\$ ,  \$V\_{OL}\$ , and Other Characteristics](#).



**Figure 2.81** Equivalent circuit for analog input

**Table 2.55** 14-bit A/D converter channel classification

| Classification                           | Channel                    | Conditions           | Remarks   |
|--|----------------------------|----------------------|---|
| High-precision channel                   | AN000 to AN015             | AVCC0 = 1.6 to 5.5 V | Pins AN000 to AN015 cannot be used as general I/O, IRQ2, IRQ3 inputs, and TS transmission, when the A/D converter is in use |
| Normal-precision channel                 | AN016 to AN027             |                      |   |
| Internal reference voltage input channel | Internal reference voltage | AVCC0 = 2.0 to 5.5 V | -   |
| Temperature sensor input channel         | Temperature sensor output  | AVCC0 = 2.0 to 5.5 V | -   |

**Table 2.56** A/D internal reference voltage characteristics

Conditions: VCC = AVCC0 = VREFH0 = 2.0 to 5.5 V\*1

| Parameter                                  | Min  | Typ  | Max  | Unit    | Test conditions |
|--|------|------|------|---------|-----------------|
| Internal reference voltage input channel*2 | 1.36 | 1.43 | 1.50 | V       | -               |
| Frequency*3                                | 1    | -    | 2    | MHz     | -               |
| Sampling time*4                            | 5.0  | -    | -    | $\mu$ s | -               |

Note 1. The internal reference voltage cannot be selected for input channels when AVCC0 < 2.0 V.

Note 2. The 14-bit A/D internal reference voltage indicates the voltage when the internal reference voltage is input to the 14-bit A/D converter.

Note 3. This is a parameter for ADC14 when the internal reference voltage is used as the high-potential reference voltage.

Note 4. This is a parameter for ADC14 when the internal reference voltage is selected for an analog input channel in ADC14.



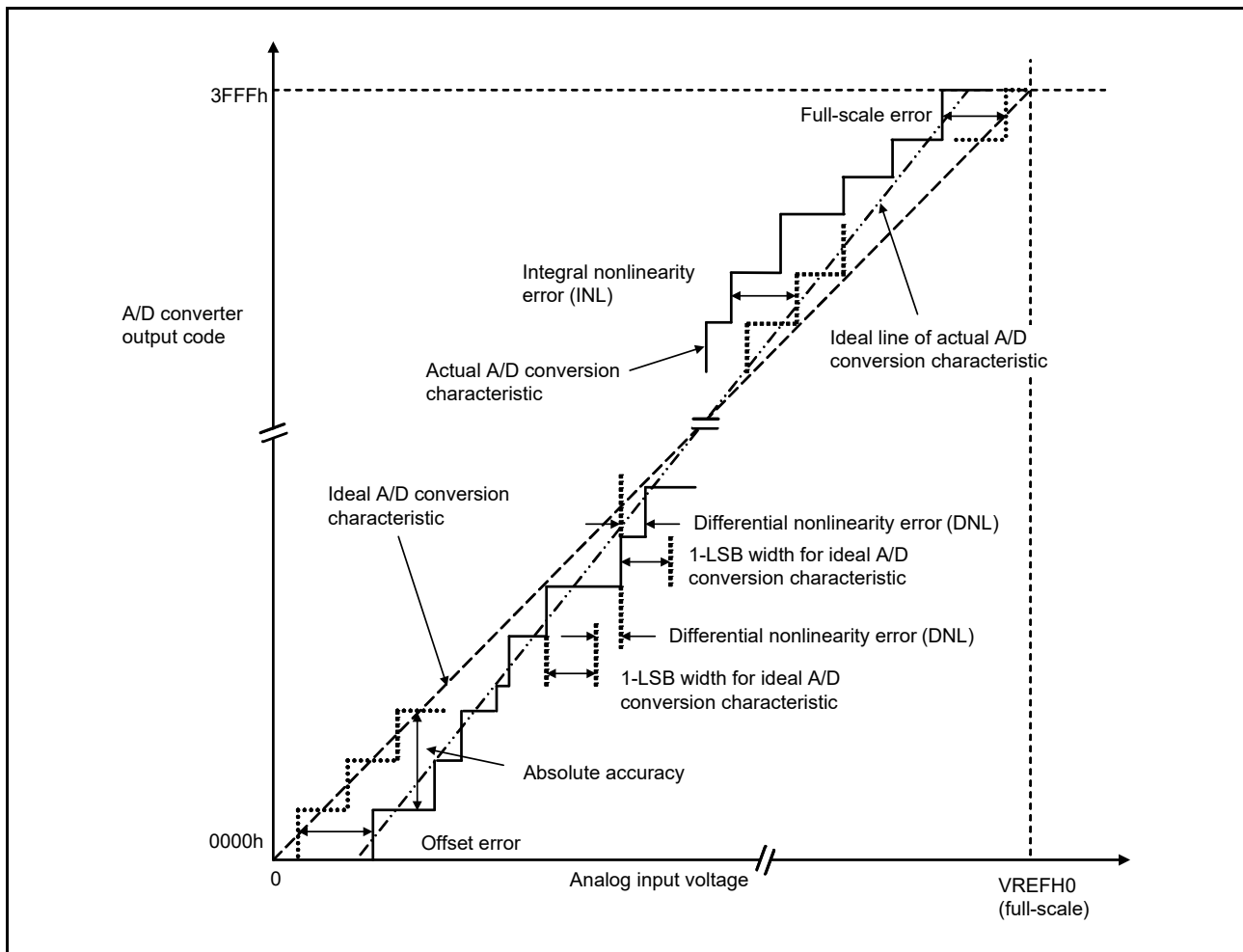


Figure 2.82 Illustration of 14-bit A/D converter characteristic terms

### Absolute accuracy

Absolute accuracy is the difference between output code based on the theoretical A/D conversion characteristics, and the actual A/D conversion result. When measuring absolute accuracy, the voltage at the midpoint of the width of analog input voltage (1-LSB width), which can meet the expectation of outputting an equal code based on the theoretical A/D conversion characteristics, is used as the analog input voltage. For example, if 12-bit resolution is used and the reference voltage  $V_{REFH0} = 3.072$  V, then 1-LSB width becomes 0.75 mV, and 0 mV, 0.75 mV, and 1.5 mV are used as the analog input voltages. If analog input voltage is 6 mV, an absolute accuracy of  $\pm 5$  LSB means that the actual A/D conversion result is in the range of 003h to 00Dh, though an output code of 008h can be expected from the theoretical A/D conversion characteristics.

### Integral nonlinearity error (INL)

Integral nonlinearity error is the maximum deviation between the ideal line when the measured offset and full-scale errors are zeroed, and the actual output code.

### Differential nonlinearity error (DNL)

Differential nonlinearity error is the difference between 1-LSB width based on the ideal A/D conversion characteristics and the width of the actually output code.

### Offset error

Offset error is the difference between the transition point of the ideal first output code and the actual first output code.

### Full-scale error

Full-scale error is the difference between the transition point of the ideal last output code and the actual last output code.

## 2.6 DAC12 Characteristics

**Table 2.57 D/A conversion characteristics (1)**

Conditions: VCC = AVCC0 = 1.8 to 5.5 V

Reference voltage = VREFH or VREFL selected

| Parameter                           | Min  | Typ  | Max          | Unit | Test conditions |
|-------------------------------------|------|------|--------------|------|-----------------|
| Resolution                          | -    | -    | 12           | bit  | -               |
| Resistive load                      | 30   | -    | -            | kΩ   | -               |
| Capacitive load                     | -    | -    | 50           | pF   | -               |
| Output voltage range                | 0.35 | -    | AVCC0 – 0.47 | V    | -               |
| DNL differential nonlinearity error | -    | ±0.5 | ±1.0         | LSB  | -               |
| INL integral nonlinearity error     | -    | ±2.0 | ±8.0         | LSB  | -               |
| Offset error                        | -    | -    | ±20          | mV   | -               |
| Full-scale error                    | -    | -    | ±20          | mV   | -               |
| Output impedance                    | -    | 5    | -            | Ω    | -               |
| Conversion time                     | -    | -    | 30           | μs   | -               |

**Table 2.58 D/A conversion characteristics (2)**

Conditions: VCC = AVCC0 = 1.8 to 5.5 V

Reference voltage = AVCC0 or AVSS0 selected

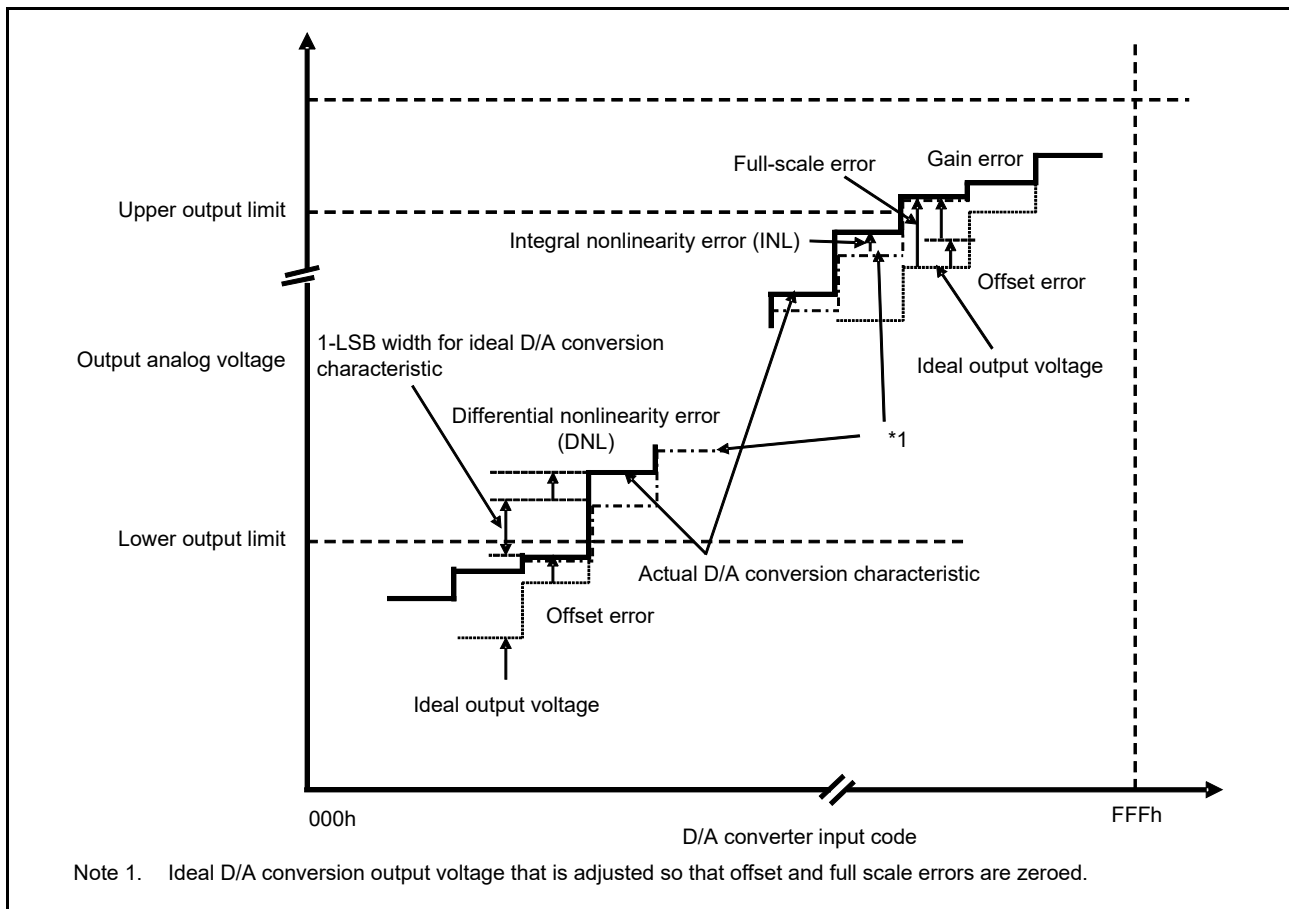
| Parameter                           | Min  | Typ  | Max          | Unit | Test conditions |
|-------------------------------------|------|------|--------------|------|-----------------|
| Resolution                          | -    | -    | 12           | bit  | -               |
| Resistive load                      | 30   | -    | -            | kΩ   | -               |
| Capacitive load                     | -    | -    | 50           | pF   | -               |
| Output voltage range                | 0.35 | -    | AVCC0 – 0.47 | V    | -               |
| DNL differential nonlinearity error | -    | ±0.5 | ±2.0         | LSB  | -               |
| INL integral nonlinearity error     | -    | ±2.0 | ±8.0         | LSB  | -               |
| Offset error                        | -    | -    | ±30          | mV   | -               |
| Full-scale error                    | -    | -    | ±30          | mV   | -               |
| Output impedance                    | -    | 5    | -            | Ω    | -               |
| Conversion time                     | -    | -    | 30           | μs   | -               |

**Table 2.59 D/A conversion characteristics (3)**

Conditions: VCC = AVCC0 = 1.8 to 5.5 V

Reference voltage = internal reference voltage selected

| Parameter                           | Min  | Typ  | Max   | Unit | Test conditions |
|-------------------------------------|------|------|-------|------|-----------------|
| Resolution                          | -    | -    | 12    | bit  | -               |
| Internal reference voltage (Vbgr)   | 1.36 | 1.43 | 1.50  | V    | -               |
| Resistive load                      | 30   | -    | -     | kΩ   | -               |
| Capacitive load                     | -    | -    | 50    | pF   | -               |
| Output voltage range                | 0.35 | -    | Vbgr  | V    | -               |
| DNL differential nonlinearity error | -    | ±2.0 | ±16.0 | LSB  | -               |
| INL integral nonlinearity error     | -    | ±8.0 | ±16.0 | LSB  | -               |
| Offset error                        | -    | -    | ±30   | mV   | -               |
| Output impedance                    | -    | 5    | -     | Ω    | -               |
| Conversion time                     | -    | -    | 30    | μs   | -               |



**Figure 2.83 Illustration of D/A converter characteristic terms**

### Integral nonlinearity error (INL)

Integral nonlinearity error is the maximum deviation between the ideal output voltage based on the ideal conversion characteristic when the measured offset and full-scale errors are zeroed, and the actual output voltage.

### Differential nonlinearity error (DNL)

Differential nonlinearity error is the difference between 1-LSB voltage width based on the ideal D/A conversion characteristics and the width of the actual output voltage.

### Offset error

Offset error is the difference between the highest actual output voltage that falls below the lower output limit and the ideal output voltage based on the input code.

### Full-scale error

Full-scale error is the difference between the lowest actual output voltage that exceeds the upper output limit and the ideal output voltage based on the input code.

## 2.7 TSN Characteristics

**Table 2.60 TSN characteristics**

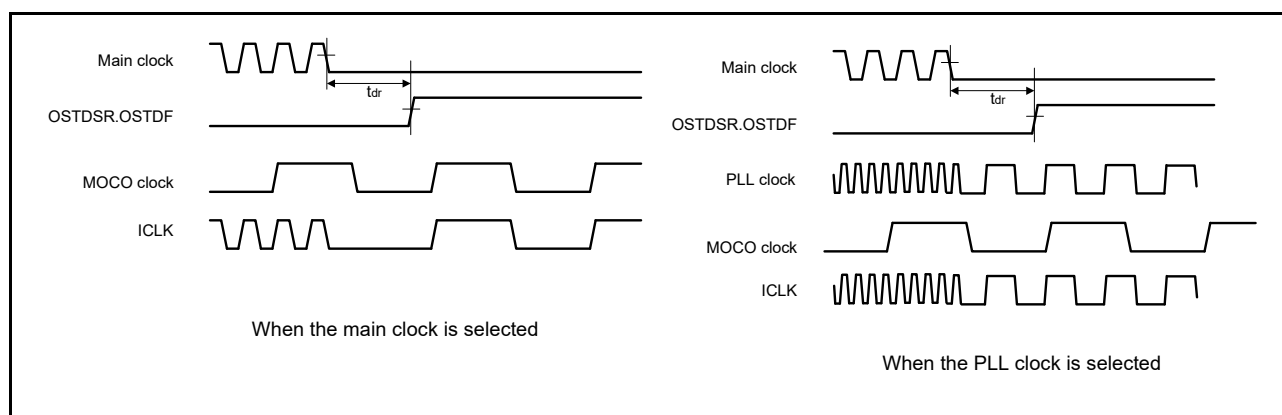
Conditions: VCC = AVCC0 = 2.0 to 5.5 V

| Parameter                     | Symbol             | Min | Typ   | Max | Unit  | Test conditions |
|-------------------------------|--------------------|-----|-------|-----|-------|-----------------|
| Relative accuracy             | -                  | -   | ±1.5  | -   | °C    | 2.4 V or above  |
|                               | -                  | -   | ±2.0  | -   | °C    | Below 2.4 V     |
| Temperature slope             | -                  | -   | -3.65 | -   | mV/°C | -               |
| Output voltage (at 25°C)      | -                  | -   | 1.05  | -   | V     | VCC = 3.3 V     |
| Temperature sensor start time | t <sub>START</sub> | -   | -     | 5   | µs    | -               |
| Sampling time                 | -                  | 5   | -     | -   | µs    | -               |

## 2.8 OSC Stop Detect Characteristics

**Table 2.61 Oscillation stop detection circuit characteristics**

| Parameter      | Symbol          | Min | Typ | Max | Unit | Test conditions |
|----------------|-----------------|-----|-----|-----|------|-----------------|
| Detection time | t <sub>dr</sub> | -   | -   | 1   | ms   | Figure 2.84     |


**Figure 2.84 Oscillation stop detection timing**

## 2.9 POR and LVD Characteristics

**Table 2.62 Power-on reset circuit and voltage detection circuit characteristics (1)**

| Parameter                          |                                    | Symbol              | Min  | Typ  | Max  | Unit                                  | Test conditions                       |
|------------------------------------|------------------------------------|---------------------|------|------|------|---------------------------------------|---------------------------------------|
| Voltage detection level*1          | Power-on reset (POR)               | V <sub>POR</sub>    | 1.27 | 1.42 | 1.57 | V                                     | Figure 2.85,<br>Figure 2.86           |
|                                    | Voltage detection circuit (LVD0)*2 | V <sub>det0_0</sub> | 3.68 | 3.85 | 4.00 | V                                     | Figure 2.87<br>At falling edge<br>VCC |
|                                    |                                    | V <sub>det0_1</sub> | 2.68 | 2.85 | 2.96 |                                       |                                       |
|                                    |                                    | V <sub>det0_2</sub> | 2.38 | 2.53 | 2.64 |                                       |                                       |
|                                    |                                    | V <sub>det0_3</sub> | 1.78 | 1.90 | 2.02 |                                       |                                       |
|                                    |                                    | V <sub>det0_4</sub> | 1.60 | 1.69 | 1.82 |                                       |                                       |
|                                    | Voltage detection circuit (LVD1)*3 | V <sub>det1_0</sub> | 4.13 | 4.29 | 4.45 | V                                     | Figure 2.88<br>At falling edge<br>VCC |
|                                    |                                    | V <sub>det1_1</sub> | 3.98 | 4.16 | 4.30 |                                       |                                       |
|                                    |                                    | V <sub>det1_2</sub> | 3.86 | 4.03 | 4.18 |                                       |                                       |
|                                    |                                    | V <sub>det1_3</sub> | 3.68 | 3.86 | 4.00 |                                       |                                       |
|                                    |                                    | V <sub>det1_4</sub> | 2.98 | 3.10 | 3.22 |                                       |                                       |
|                                    |                                    | V <sub>det1_5</sub> | 2.89 | 3.00 | 3.11 |                                       |                                       |
|                                    |                                    | V <sub>det1_6</sub> | 2.79 | 2.90 | 3.01 |                                       |                                       |
|                                    |                                    | V <sub>det1_7</sub> | 2.68 | 2.79 | 2.90 |                                       |                                       |
|                                    |                                    | V <sub>det1_8</sub> | 2.58 | 2.68 | 2.78 |                                       |                                       |
|                                    |                                    | V <sub>det1_9</sub> | 2.48 | 2.58 | 2.68 |                                       |                                       |
|                                    |                                    | V <sub>det1_A</sub> | 2.38 | 2.48 | 2.58 |                                       |                                       |
|                                    |                                    | V <sub>det1_B</sub> | 2.10 | 2.20 | 2.30 |                                       |                                       |
|                                    |                                    | V <sub>det1_C</sub> | 1.84 | 1.96 | 2.05 |                                       |                                       |
|                                    |                                    | V <sub>det1_D</sub> | 1.74 | 1.86 | 1.95 |                                       |                                       |
| V <sub>det1_E</sub>                |                                    | 1.63                | 1.75 | 1.84 |      |                                       |                                       |
| V <sub>det1_F</sub>                | 1.60                               | 1.65                | 1.73 |      |      |                                       |                                       |
| Voltage detection circuit (LVD2)*4 | V <sub>det2_0</sub>                | 4.11                | 4.31 | 4.48 | V    | Figure 2.89<br>At falling edge<br>VCC |                                       |
|                                    | V <sub>det2_1</sub>                | 3.97                | 4.17 | 4.34 |      |                                       |                                       |
|                                    | V <sub>det2_2</sub>                | 3.83                | 4.03 | 4.20 |      |                                       |                                       |
|                                    | V <sub>det2_3</sub>                | 3.64                | 3.84 | 4.01 |      |                                       |                                       |

Note 1. These characteristics apply when noise is not superimposed on the power supply. When a setting causes this voltage detection level to overlap with that of the voltage detection circuit, it cannot be specified whether LVD1 or LVD2 is used for voltage detection.

Note 2. # in the symbol V<sub>det0\_#</sub> denotes the value of the OFS1.VDSEL1[2:0] bits.

Note 3. # in the symbol V<sub>det1\_#</sub> denotes the value of the LVDLVL.R.LVD1LVL[4:0] bits.

Note 4. # in the symbol V<sub>det2\_#</sub> denotes the value of the LVDLVL.R.LVD2LVL[2:0] bits.

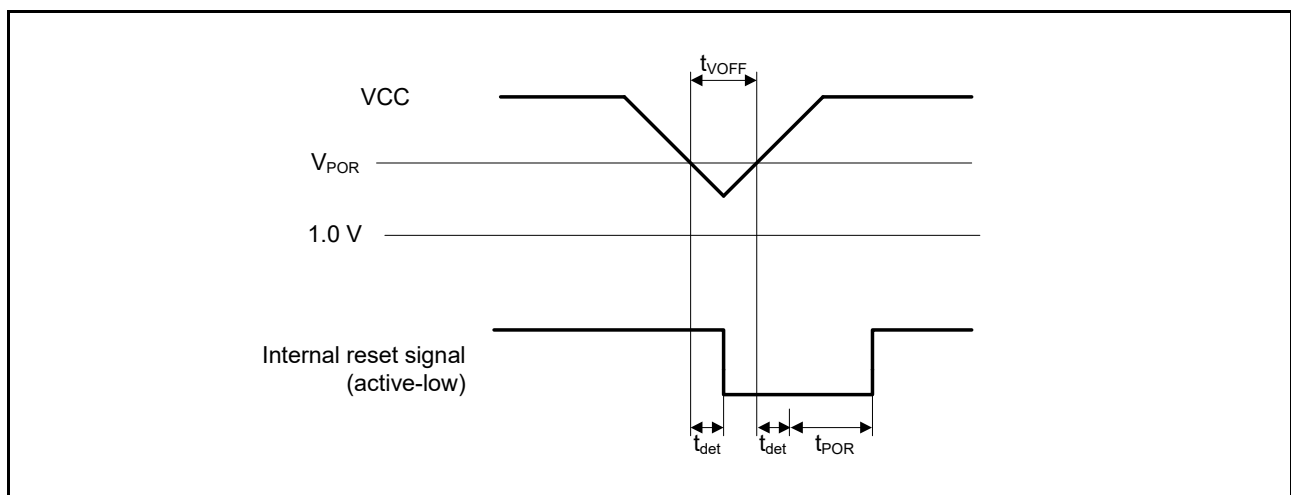
**Table 2.63 Power-on reset circuit and voltage detection circuit characteristics (2)**

| Parameter  |                 | Symbol         | Min | Typ | Max | Unit    | Test conditions                         |
|--|-----------------|----------------|-----|-----|-----|---------|---|
| Wait time after power-on reset cancellation                | LVD0: enable    | $t_{POR}$      | -   | 1.7 | -   | ms      | -                                       |
|  | LVD0: disable   | $t_{POR}$      | -   | 1.3 | -   | ms      | -                                       |
| Wait time after voltage monitor 0, 1, 2 reset cancellation | LVD0: enable*1  | $t_{LVD0,1,2}$ | -   | 0.6 | -   | ms      | -                                       |
|  | LVD0: disable*2 | $t_{LVD1,2}$   | -   | 0.2 | -   | ms      | -                                       |
| Response delay*3   |                 | $t_{det}$      | -   | -   | 350 | $\mu$ s | Figure 2.85, Figure 2.86                |
| Minimum VCC down time                                      |                 | $t_{VOFF}$     | 450 | -   | -   | $\mu$ s | Figure 2.85, VCC = 1.0 V or above       |
| Power-on reset enable time                                 |                 | $t_{W(POR)}$   | 1   | -   | -   | ms      | Figure 2.86, VCC = below 1.0 V          |
| LVD operation stabilization time (after LVD is enabled)    |                 | $t_{d(E-A)}$   | -   | -   | 300 | $\mu$ s | Figure 2.88, Figure 2.89                |
| Hysteresis width (POR)                                     |                 | $V_{PORH}$     | -   | 110 | -   | mV      | -                                       |
| Hysteresis width (LVD0, LVD1, and LVD2)                    |                 | $V_{LVH}$      | -   | 60  | -   | mV      | LVD0 selected                           |
|  |                 |                | -   | 100 | -   |         | $V_{det1\_0}$ to $V_{det1\_2}$ selected |
|  |                 |                | -   | 60  | -   |         | $V_{det1\_3}$ to $V_{det1\_g}$ selected |
|  |                 |                | -   | 50  | -   |         | $V_{det1\_A}$ or $V_{det1\_B}$ selected |
|  |                 |                | -   | 40  | -   |         | $V_{det1\_C}$ or $V_{det1\_F}$ selected |
|  |                 |                | -   | 60  | -   |         | LVD2 selected                           |

Note 1. When OFS1.LVDAS = 0.

Note 2. When OFS1.LVDAS = 1.

Note 3. The minimum VCC down time indicates the time when VCC is below the minimum value of voltage detection levels  $V_{POR}$ ,  $V_{det0}$ ,  $V_{det1}$ , and  $V_{det2}$  for the POR/LVD.

**Figure 2.85 Voltage detection reset timing**

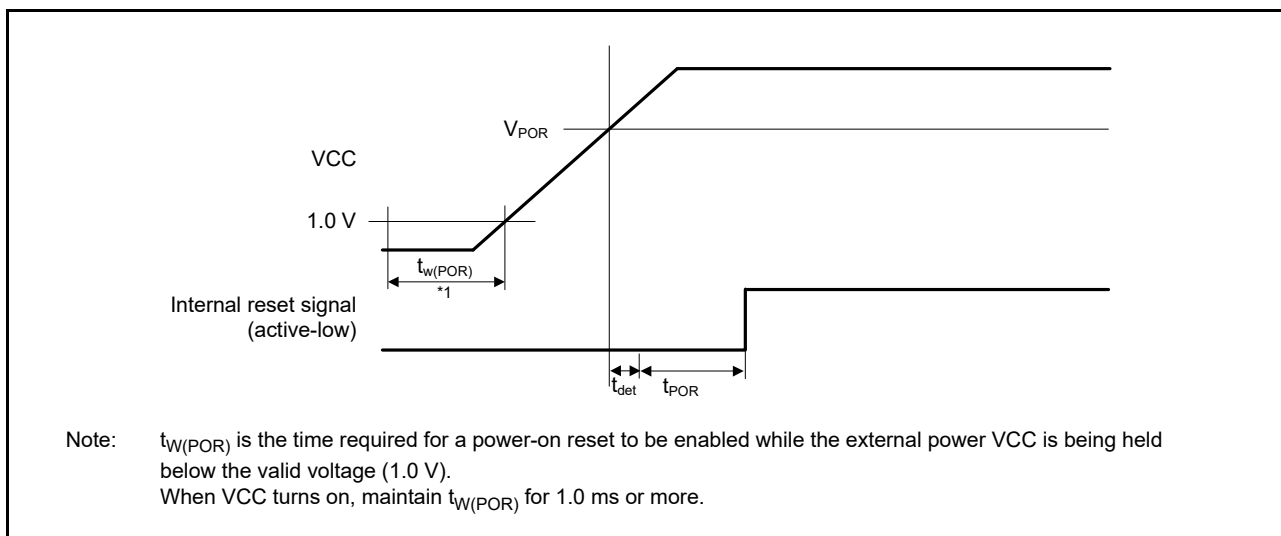


Figure 2.86 Power-on reset timing

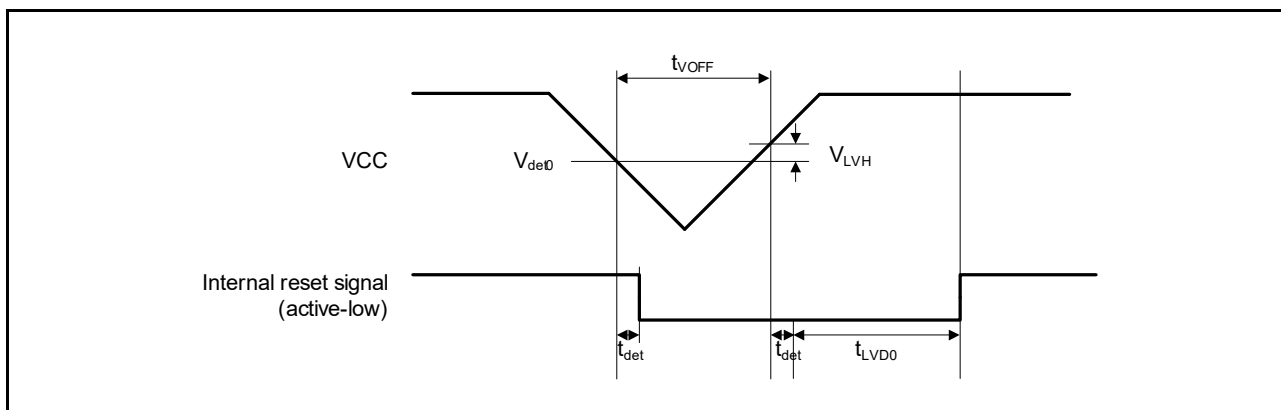


Figure 2.87 Voltage detection circuit timing ( $V_{det0}$ )

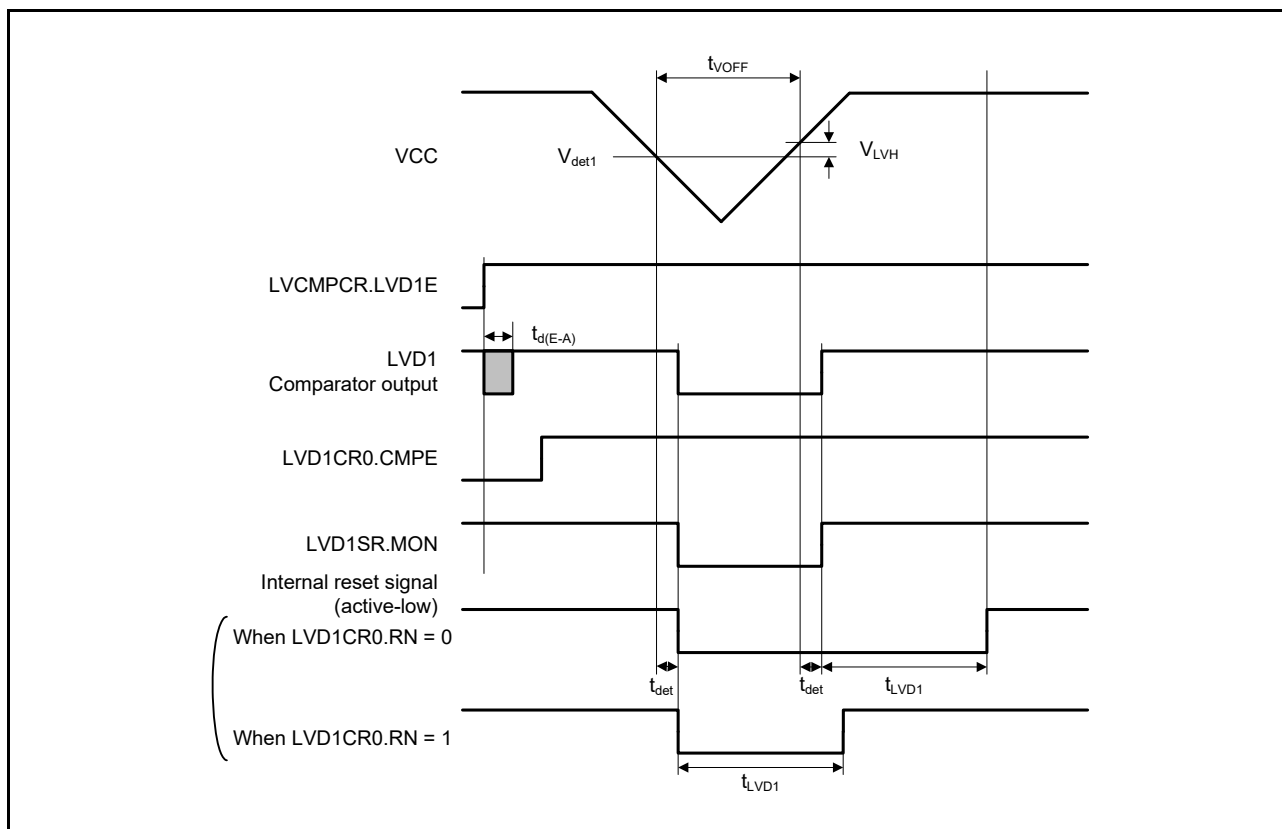


Figure 2.88 Voltage detection circuit timing (V<sub>det1</sub>)

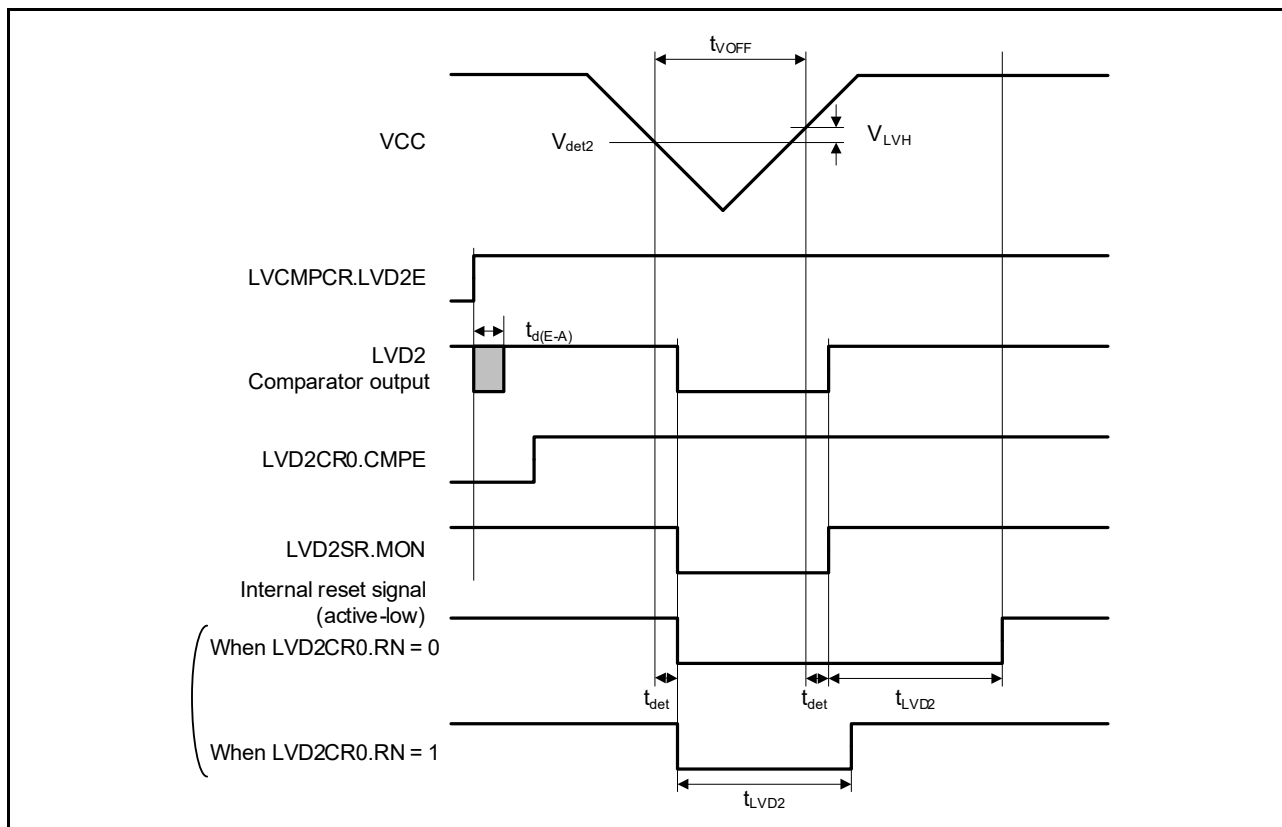


Figure 2.89 Voltage detection circuit timing (V<sub>det2</sub>)



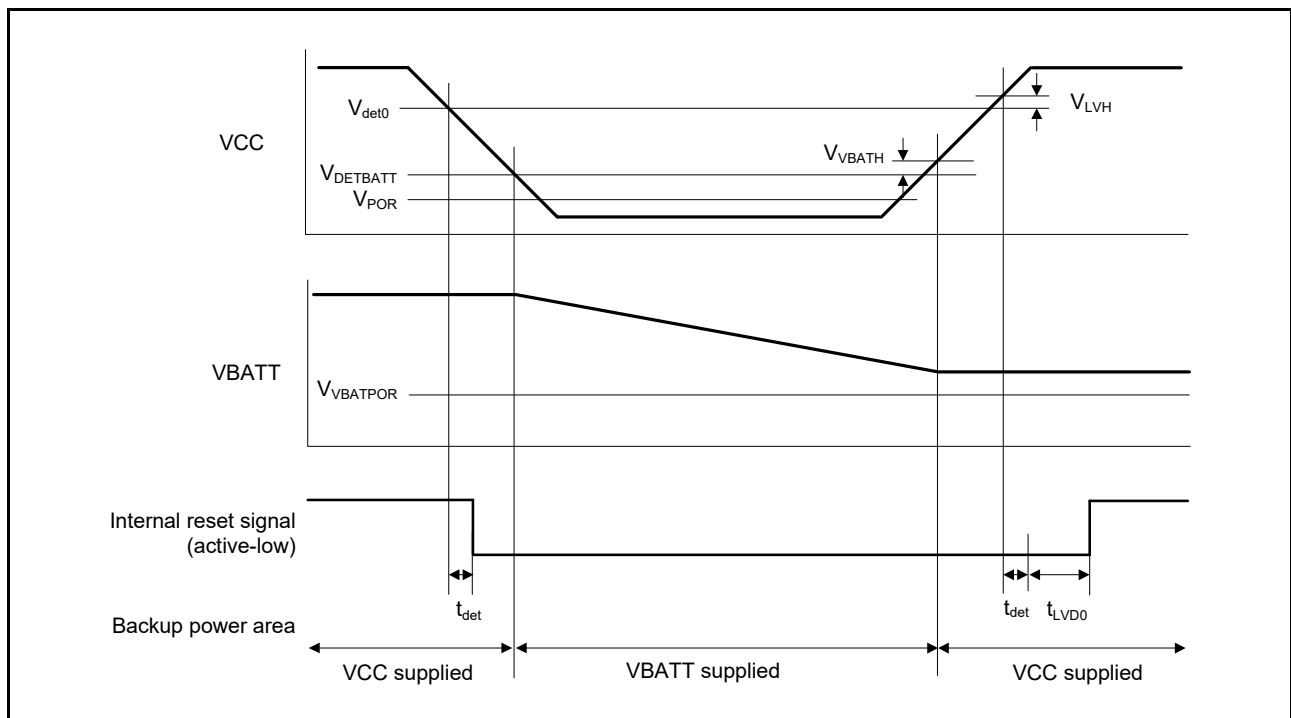
## 2.10 VBATT Characteristics

**Table 2.64 Battery backup function characteristics**

Conditions: VCC = AVCC0 = 1.6 V to 5.5 V, VBATT = 1.6 to 3.6 V

| Parameter  | Symbol               | Min                 | Typ  | Max  | Unit          | Test conditions          |             |
|--|----------------------|---------------------|------|------|---------------|--------------------------|-------------|
| Voltage level for switching to battery backup (falling)        | $V_{DET\ BATT}$      | 1.99                | 2.09 | 2.19 | V             | Figure 2.90, Figure 2.91 |             |
| Hysteresis width for switching to battery back up              | $V_{VBAT\ TH}$       | -                   | 100  | -    | mV            |                          |             |
| VCC-off period for starting power supply switching             | $t_{V\ OFF\ BATT}$   | 300                 | -    | -    | $\mu\text{s}$ | -                        |             |
| Voltage detection level<br>VBATT_Power-on reset (VBATT_POR)    | $V_{VBAT\ POR}$      | 1.30                | 1.40 | 1.50 | V             | Figure 2.90, Figure 2.91 |             |
| Wait time after VBATT_POR reset time cancellation              | $t_{VBAT\ POR}$      | -                   | -    | 3    | mS            | -                        |             |
| Level for detection of voltage drop on the VBATT pin (falling) | VBTLVDLVL[1:0] = 10b | $V_{DET\ BAT\ LVD}$ | 2.11 | 2.2  | 2.29          | V                        | Figure 2.92 |
|  | VBTLVDLVL[1:0] = 11b |                     | 1.92 | 2    | 2.08          | V                        |             |
| Hysteresis width for VBATT pin LVD                             | $V_{VBAT\ LVD\ TH}$  | -                   | 50   | -    | mV            |                          |             |
| VBATT pin LVD operation stabilization time                     | $t_{d\_vbat}$        | -                   | -    | 300  | $\mu\text{s}$ | Figure 2.92              |             |
| VBATT pin LVD response delay time                              | $t_{det\_vbat}$      | -                   | -    | 350  | $\mu\text{s}$ |                          |             |
| Allowable voltage change rising/falling gradient               | $dt/dVCC$            | 1.0                 | -    | -    | ms/V          | -                        |             |
| VCC voltage level for access to the VBATT backup registers     | $V_{\_BKBATT}$       | 1.8                 | -    | -    | V             | -                        |             |

Note: The VCC-off period for starting power supply switching indicates the period in which VCC is below the minimum value of the voltage level for switching to battery backup ( $V_{DET\ BATT}$ ).

**Figure 2.90 Power supply switching and LVD0 reset timing**

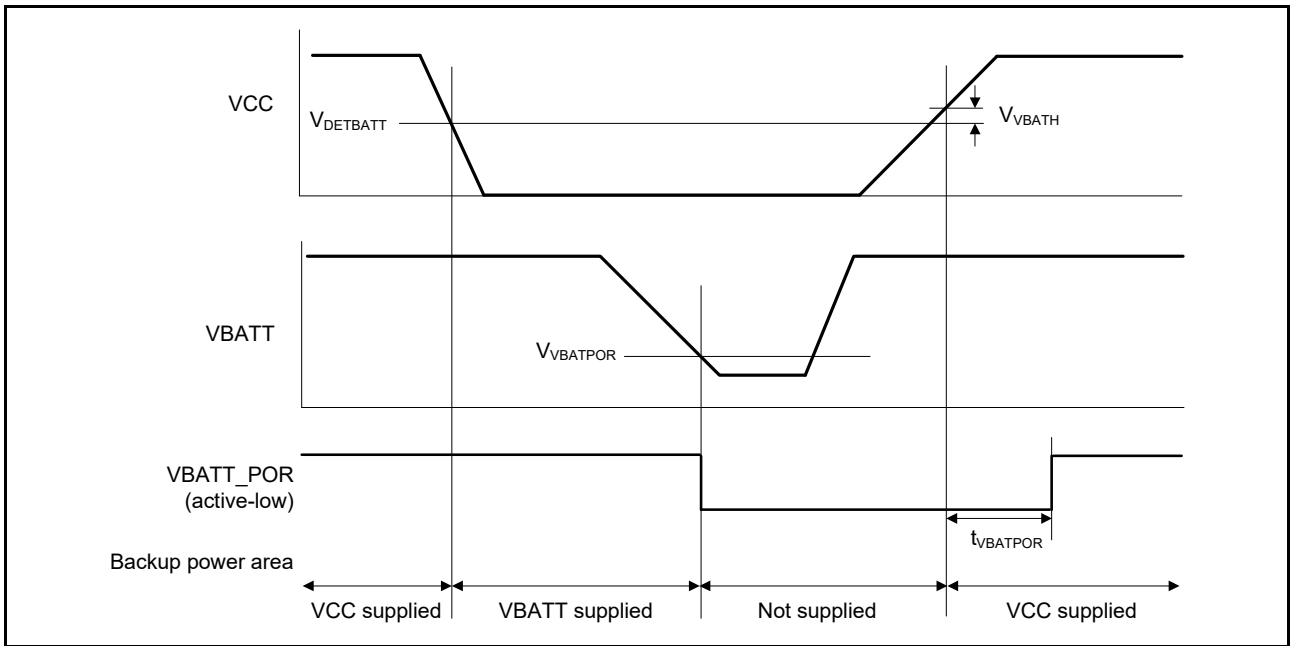


Figure 2.91 VBATT\_POR reset timing

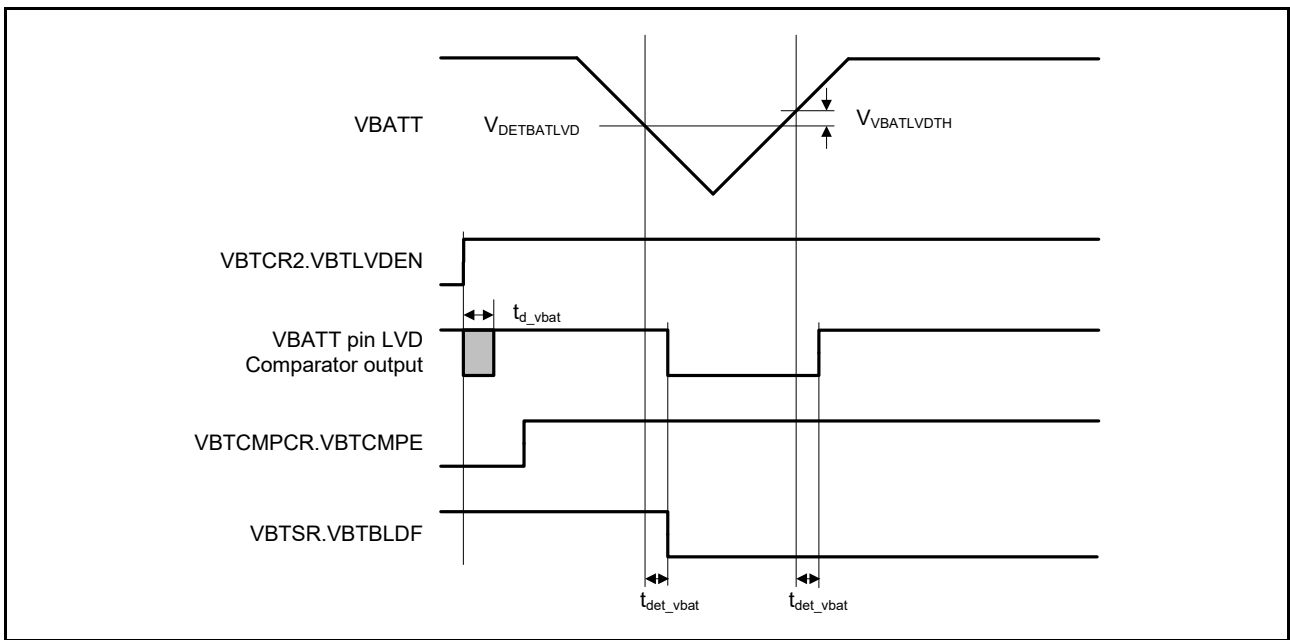


Figure 2.92 VBATT pin voltage detection circuit timing

**Table 2.65 VBATT-I/O characteristics**

| Parameter   |                             |                                      | Symbol          | Min                     | Typ | Max | Unit | Test conditions           |
|---|-----------------------------|--------------------------------------|-----------------|-------------------------|-----|-----|------|---------------------------|
| VBATWIO n/I/O output characteristics (n = 0 to 2) | VCC > V <sub>DET</sub> BATT | VCC = 4.0 to 5.5 V                   | V <sub>OH</sub> | VCC - 0.8               | -   | -   | V    | I <sub>OH</sub> = -200 μA |
|   |                             |                                      | V <sub>OL</sub> | -                       | -   | 0.8 |      | I <sub>OL</sub> = 200 μA  |
|   |                             | VCC = 2.7 to 4.0 V                   | V <sub>OH</sub> | VCC - 0.5               | -   | -   |      | I <sub>OH</sub> = -100 μA |
|   |                             |                                      | V <sub>OL</sub> | -                       | -   | 0.5 |      | I <sub>OL</sub> = 100 μA  |
|   |                             | VCC = V <sub>DET</sub> BATT to 2.7 V | V <sub>OH</sub> | VCC - 0.3               | -   | -   |      | I <sub>OH</sub> = -50 μA  |
|   |                             |                                      | V <sub>OL</sub> | -                       | -   | 0.3 |      | I <sub>OL</sub> = 50 μA   |
|   | VCC < V <sub>DET</sub> BATT | VBATT = 2.7 to 3.6 V                 | V <sub>OH</sub> | V <sub>BATT</sub> - 0.5 | -   | -   |      | I <sub>OH</sub> = -100 μA |
|   |                             |                                      | V <sub>OL</sub> | -                       | -   | 0.5 |      | I <sub>OL</sub> = 100 μA  |
|   |                             | VBATT = 1.6 to 2.7 V                 | V <sub>OH</sub> | V <sub>BATT</sub> - 0.3 | -   | -   |      | I <sub>OH</sub> = -50 μA  |
|   |                             |                                      | V <sub>OL</sub> | -                       | -   | 0.3 |      | I <sub>OL</sub> = 50 μA   |

## 2.11 CTSU Characteristics

**Table 2.66 CTSU characteristics**

Conditions: VCC = AVCC0 = 1.8 to 5.5 V

| Parameter                                   | Symbol             | Min | Typ | Max | Unit | Test conditions                               |
|---|--------------------|-----|-----|-----|------|---|
| External capacitance connected to TSCAP pin | C <sub>tscap</sub> | 9   | 10  | 11  | nF   | -   |
| TS pin capacitive load                      | C <sub>base</sub>  | -   | -   | 50  | pF   | -   |
| Permissible output high current             | ΣI <sub>oH</sub>   | -   | -   | -24 | mA   | When the mutual capacitance method is applied |

## 2.12 Segment LCD Controller Characteristics

### 2.12.1 Resistance Division Method

[Static Display Mode]

**Table 2.67 Resistance division method LCD characteristics (1)**

Conditions: VL4 ≤ VCC ≤ 5.5 V

| Parameter         | Symbol          | Min | Typ | Max | Unit | Test conditions |
|-------------------|-----------------|-----|-----|-----|------|-----------------|
| LCD drive voltage | V <sub>L4</sub> | 2.0 | -   | VCC | V    | -               |

[1/2 Bias Method, 1/4 Bias Method]

**Table 2.68 Resistance division method LCD characteristics (2)**

Conditions: VL4 ≤ VCC ≤ 5.5 V

| Parameter         | Symbol          | Min | Typ | Max | Unit | Test conditions |
|-------------------|-----------------|-----|-----|-----|------|-----------------|
| LCD drive voltage | V <sub>L4</sub> | 2.7 | -   | VCC | V    | -               |

[1/3 Bias Method]

**Table 2.69 Resistance division method LCD characteristics (3)**

Conditions: VL4 ≤ VCC ≤ 5.5 V

| Parameter         | Symbol          | Min | Typ | Max | Unit | Test conditions |
|-------------------|-----------------|-----|-----|-----|------|-----------------|
| LCD drive voltage | V <sub>L4</sub> | 2.5 | -   | VCC | V    | -               |

## 2.12.2 Internal Voltage Boosting Method

[1/3 Bias Method]

**Table 2.70 Internal voltage boosting method LCD characteristics**

Conditions: VCC = 1.8 V to 5.5 V

| Parameter                            | Symbol     | Conditions                |            | Min                      | Typ               | Max               | Unit | Test conditions |
|--------------------------------------|------------|---------------------------|------------|--------------------------|-------------------|-------------------|------|-----------------|
| LCD output voltage variation range   | $V_{L1}$   | C1 to C4*1 = 0.47 $\mu$ F | VLCD = 04h | 0.90                     | 1.0               | 1.08              | V    | -               |
|                                      |            |                           | VLCD = 05h | 0.95                     | 1.05              | 1.13              | V    | -               |
|                                      |            |                           | VLCD = 06h | 1.00                     | 1.10              | 1.18              | V    | -               |
|                                      |            |                           | VLCD = 07h | 1.05                     | 1.15              | 1.23              | V    | -               |
|                                      |            |                           | VLCD = 08h | 1.10                     | 1.20              | 1.28              | V    | -               |
|                                      |            |                           | VLCD = 09h | 1.15                     | 1.25              | 1.33              | V    | -               |
|                                      |            |                           | VLCD = 0Ah | 1.20                     | 1.30              | 1.38              | V    | -               |
|                                      |            |                           | VLCD = 0Bh | 1.25                     | 1.35              | 1.43              | V    | -               |
|                                      |            |                           | VLCD = 0Ch | 1.30                     | 1.40              | 1.48              | V    | -               |
|                                      |            |                           | VLCD = 0Dh | 1.35                     | 1.45              | 1.53              | V    | -               |
|                                      |            |                           | VLCD = 0Eh | 1.40                     | 1.50              | 1.58              | V    | -               |
|                                      |            |                           | VLCD = 0Fh | 1.45                     | 1.55              | 1.63              | V    | -               |
|                                      |            |                           | VLCD = 10h | 1.50                     | 1.60              | 1.68              | V    | -               |
|                                      |            |                           | VLCD = 11h | 1.55                     | 1.65              | 1.73              | V    | -               |
| VLCD = 12h                           | 1.60       | 1.70                      | 1.78       | V                        | -                 |                   |      |                 |
| VLCD = 13h                           | 1.65       | 1.75                      | 1.83       | V                        | -                 |                   |      |                 |
| Doubler output voltage               | $V_{L2}$   | C1 to C4*1 = 0.47 $\mu$ F |            | $2 \times V_{L1} - 0.1$  | $2 \times V_{L1}$ | $2 \times V_{L1}$ | V    | -               |
| Tripler output voltage               | $V_{L4}$   | C1 to C4*1 = 0.47 $\mu$ F |            | $3 \times V_{L1} - 0.15$ | $3 \times V_{L1}$ | $3 \times V_{L1}$ | V    | -               |
| Reference voltage setup time*2       | $t_{VL1S}$ |                           |            | 5                        | -                 | -                 | ms   | Figure 2.93     |
| LCD output voltage variation range*3 | $t_{VLWT}$ | C1 to C4*1 = 0.47 $\mu$ F |            | 500                      | -                 | -                 | ms   |                 |

Note 1. This is a capacitor that is connected between voltage pins used to drive the LCD.

C1: A capacitor connected between CAPH and CAPL

C2: A capacitor connected between VL1 and GND

C3: A capacitor connected between VL2 and GND

C4: A capacitor connected between VL4 and GND

C1 = C2 = C3 = C4 = 0.47  $\mu$ F  $\pm$  30%

Note 2. This is the time required to wait from when the reference voltage is specified using the VLCD register (or when the internal voltage boosting method is selected (by setting the MDSET[1:0] bits in the LCDM0 register to 01b) if the default value reference voltage is used) until voltage boosting starts (VLCON = 1).

Note 3. This is the wait time from when voltage boosting is started (VLCON = 1) until display is enabled (LCDON = 1).

[1/4 Bias Method]

**Table 2.71 Internal voltage boosting method LCD characteristics**

Conditions: VCC = 1.8 V to 5.5 V

| Parameter                            | Symbol             | Conditions           | Min                     | Typ              | Max              | Unit | Test conditions |   |
|--------------------------------------|--------------------|----------------------|-------------------------|------------------|------------------|------|-----------------|---|
| LCD output voltage variation range   | V <sub>L1</sub>    | C1 to C5*1 = 0.47 μF | VLCD = 04h              | 0.90             | 1.0              | 1.08 | V               | - |
|                                      |                    |                      | VLCD = 05h              | 0.95             | 1.05             | 1.13 | V               | - |
|                                      |                    |                      | VLCD = 06h              | 1.00             | 1.10             | 1.18 | V               | - |
|                                      |                    |                      | VLCD = 07h              | 1.05             | 1.15             | 1.23 | V               | - |
|                                      |                    |                      | VLCD = 08h              | 1.10             | 1.20             | 1.28 | V               | - |
|                                      |                    |                      | VLCD = 09h              | 1.15             | 1.25             | 1.33 | V               | - |
|                                      |                    |                      | VLCD = 0Ah              | 1.20             | 1.30             | 1.38 | V               | - |
|                                      |                    |                      | VLCD = 0Bh              | 1.25             | 1.35             | 1.43 | V               | - |
| VLCD = 0Ch                           | 1.30               | 1.40                 | 1.48                    | V                | -                | -    |                 |   |
| Doubler output voltage               | V <sub>L2</sub>    | C1 to C5*1 = 0.47 μF | 2V <sub>L1</sub> - 0.08 | 2V <sub>L1</sub> | 2V <sub>L1</sub> | V    | -               |   |
| Tripler output voltage               | V <sub>L3</sub>    | C1 to C5*1 = 0.47 μF | 3V <sub>L1</sub> - 0.12 | 3V <sub>L1</sub> | 3V <sub>L1</sub> | V    | -               |   |
| Quadruply output voltage             | V <sub>L4</sub> *4 | C1 to C5*1 = 0.47 μF | 4V <sub>L1</sub> - 0.16 | 4V <sub>L1</sub> | 4V <sub>L1</sub> | V    | -               |   |
| Reference voltage setup time*2       | t <sub>VL1S</sub>  |                      | 5                       | -                | -                | ms   | Figure 2.93     |   |
| LCD output voltage variation range*3 | t <sub>VLWT</sub>  | C1 to C5*1 = 0.47 μF | 500                     | -                | -                | ms   |                 |   |

Note 1. This is a capacitor that is connected between voltage pins used to drive the LCD.

C1: A capacitor connected between CAPH and CAPL

C2: A capacitor connected between VL1 and GND

C3: A capacitor connected between VL2 and GND

C4: A capacitor connected between VL3 and GND

C5: A capacitor connected between VL4 and GND

C1 = C2 = C3 = C4 = C5 = 0.47 μF ± 30%

Note 2. This is the time required to wait from when the reference voltage is specified by using the VLCD register or when the internal voltage boosting method is selected (by setting the MDSET[1] and MDSET[0] bits in the LCDM0 register to 01b) if the default value reference voltage is used) until voltage boosting starts (VLCON = 1).

Note 3. This is the wait time from when voltage boosting is started (VLCON = 1) until display is enabled (LCDON = 1).

Note 4. V<sub>L4</sub> must be 5.5 V or lower.

### 2.12.3 Capacitor Split Method

[1/3 Bias Method]

**Table 2.72 Internal voltage boosting method LCD characteristics**

Conditions: VCC = 2.2 V to 5.5 V

| Parameter                   | Symbol            | Conditions           | Min                          | Typ                   | Max                          | Unit | Test conditions |
|-----------------------------|-------------------|----------------------|------------------------------|-----------------------|------------------------------|------|-----------------|
| VL4 voltage*1               | V <sub>L4</sub>   | C1 to C4 = 0.47 μF*2 | -                            | VCC                   | -                            | V    | -               |
| VL2 voltage*1               | V <sub>L2</sub>   | C1 to C4 = 0.47 μF*2 | 2/3 × V <sub>L4</sub> - 0.07 | 2/3 × V <sub>L4</sub> | 2/3 × V <sub>L4</sub> + 0.07 | V    | -               |
| VL1 voltage*1               | V <sub>L1</sub>   | C1 to C4 = 0.47 μF*2 | 1/3 × V <sub>L4</sub> - 0.08 | 1/3 × V <sub>L4</sub> | 1/3 × V <sub>L4</sub> + 0.08 | V    | -               |
| Capacitor split wait time*1 | t <sub>WAIT</sub> |                      | 100                          | -                     | -                            | ms   | Figure 2.93     |

Note 1. This is the wait time from when voltage bucking is started (VLCON = 1) until display is enabled (LCDON = 1).

Note 2. This is a capacitor that is connected between voltage pins used to drive the LCD.

C1: A capacitor connected between CAPH and CAPL

C2: A capacitor connected between VL1 and GND

C3: A capacitor connected between VL2 and GND

C4: A capacitor connected between VL4 and GND

C1 = C2 = C3 = C4 = 0.47 μF ± 30%.

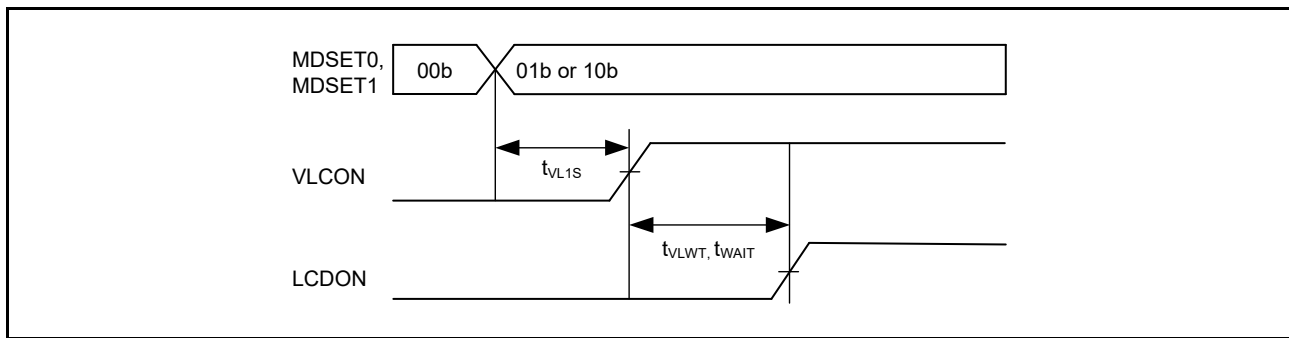


Figure 2.93 LCD reference voltage setup time, voltage boosting wait time, and capacitor split wait time

## 2.13 Comparator Characteristics

Table 2.73 ACMLP characteristics

Conditions: VCC = 1.8 to 5.5 V

| Parameter                         | Symbol           | Min                 | Typ   | Max  | Unit | Test conditions |  |   |
|-----------------------------------|------------------|---------------------|-------|------|------|-----------------|--|---|
| Reference voltage range           | Standard mode    | IVREFn<br>(n = 0,1) | VREF  | 0    | -    | VCC - 1.4       | V  | - |
|                                   | Window mode*2    | IVREF1              | VREFH | 1.4  | -    | VCC             | V  | - |
|                                   |                  | IVREF0              | VREFL | 0    | -    | VCC - 1.4       | V  | - |
| Input voltage range               | VI               | 0                   | -     | VCC  | V    | -               |  |   |
| Internal reference voltage        | -                | 1.36                | 1.44  | 1.50 | V    | -               |  |   |
| Output delay                      | High-speed mode  | Td                  | -     | -    | 1.2  | μs              | VCC = 3.0<br>Slew rate of input<br>signal > 50 mV/μs |   |
|                                   | Low-speed mode   | -                   | -     | -    | 5    | μs              |  |   |
|                                   | Window mode      | -                   | -     | -    | 2    | μs              |  |   |
| Offset voltage*1                  | High-speed mode  | -                   | -     | -    | 50   | mV              | -  |   |
|                                   | Low-speed mode   | -                   | -     | -    | 40   | mV              | -  |   |
|                                   | Window mode      | -                   | -     | -    | 60   | mV              | -  |   |
| Operation stabilization wait time | T <sub>cmp</sub> | 100                 | -     | -    | μs   | -               |  |   |

Note 1. When 8-bit DAC output is used as the reference voltage, the offset voltage increases up to  $2.5 \times VCC/256$ .

Note 2. In window mode, be sure to satisfy the following condition:  $IVREF1 - IVREF0 \geq 0.2 V$ .

## 2.14 OPAMP Characteristics

Table 2.74 OPAMP characteristics (1 of 2)

Conditions: VCC = AVCC0 = 1.8 to 5.5 V (AVCC0 = VCC when VCC < 2.0 V)

| Parameter                   | Symbol | Conditions      | Min | Typ  | Max         | Unit |
|-----------------------------|--------|-----------------|-----|------|-------------|------|
| Common mode input range     | Vicm1  | Low-power mode  | 0.2 | -    | AVCC0 - 0.5 | V    |
|                             | Vicm2  | High-speed mode | 0.3 | -    | AVCC0 - 0.6 | V    |
| Output voltage range        | Vo1    | Low-power mode  | 0.1 | -    | AVCC0 - 0.1 | V    |
|                             | Vo2    | High-speed mode | 0.1 | -    | AVCC0 - 0.1 | V    |
| Input offset voltage        | Vioff  | 3σ              | -10 | -    | 10          | mV   |
| Open gain                   | Av     |                 | 60  | 120  | -           | dB   |
| Gain-bandwidth (GB) product | GBW1   | Low-power mode  | -   | 0.04 | -           | MHz  |
|                             | GBW2   | High-speed mode | -   | 1.7  | -           | MHz  |
| Phase margin                | PM     | CL = 20 pF      | 50  | -    | -           | deg  |
| Gain margin                 | GM     | CL = 20 pF      | 10  | -    | -           | dB   |

**Table 2.74 OPAMP characteristics (2 of 2)**

Conditions: VCC = AVCC0 = 1.8 to 5.5 V (AVCC0 = VCC when VCC &lt; 2.0 V)

| Parameter                          | Symbol  | Conditions   | Min             | Typ | Max  | Unit   |      |
|------------------------------------|---------|--|-----------------|-----|------|--------|------|
| Equivalent input noise             | Vnoise1 | f = 1 kHz  | -               | 230 | -    | nV/√Hz |      |
|                                    | Vnoise2 | f = 10 kHz   |                 |     |      |        |      |
|                                    | Vnoise3 | f = 1 kHz  | -               | 90  | -    | nV/√Hz |      |
|                                    | Vnoise4 | f = 2 kHz  |                 |     |      |        |      |
| Power supply reduction ratio       | PSRR    |  | -               | 90  | -    | dB     |      |
| Common mode signal reduction ratio | CMRR    |  | -               | 90  | -    | dB     |      |
| Stabilization wait time            | Tstd1   | CL = 20 pF<br>Only operational amplifier is activated *1                                       | Low power mode  | 650 | -    | -      | μs   |
|                                    | Tstd2   |  | High-speed mode | 13  | -    | -      | μs   |
|                                    | Tstd3   | CL = 20 pF<br>Operational amplifier and reference current circuit are activated simultaneously | Low power mode  | 650 | -    | -      | μs   |
|                                    | Tstd4   |  | High-speed mode | 13  | -    | -      | μs   |
| Settling time                      | Tset1   | CL = 20 pF   | Low power mode  | -   | -    | 750    | μs   |
|                                    | Tset2   |  | High-speed mode | -   | -    | 13     | μs   |
| Slew rate                          | Tslew1  | CL = 20 pF   | Low power mode  | -   | 0.02 | -      | V/μs |
|                                    | Tslew2  |  | High-speed mode | -   | 1.1  | -      | V/μs |
| Load current                       | Iload1  | Low power mode   | -100            | -   | 100  | μA     |      |
|                                    | Iload2  | High-speed mode  | -100            | -   | 100  | μA     |      |
| Load capacitance                   | CL      |  | -               | -   | 20   | pF     |      |

Note 1. When the operational amplifier reference current circuit is activated in advance.

## 2.15 Flash Memory Characteristics

### 2.15.1 Code Flash Memory Characteristics

**Table 2.75 Code flash characteristics (1)**

| Parameter                     | Symbol                               | Min              | Typ      | Max | Unit  | Test conditions        |
|-------------------------------|--------------------------------------|------------------|----------|-----|-------|------------------------|
| Reprogramming/erasure cycle*1 | N <sub>PEC</sub>                     | 1000             | -        | -   | Times | -                      |
| Data hold time                | After 1000 times of N <sub>PEC</sub> | t <sub>DRP</sub> | 20*2, *3 | -   | Year  | T <sub>a</sub> = +85°C |

Note 1. The reprogram/erase cycle is the number of erasures for each block. When the reprogram/erase cycle is n times (n = 1000), erasing can be done n times for each block. For instance, when 8-byte programming is performed 256 times for different addresses in 2-KB blocks, and the entire block is erased, the reprogram/erase cycle is counted as one. However, programming the same address for several times as one erasure is not enabled (overwriting is prohibited).

Note 2. Characteristic when using the flash memory programmer and the self-programming library provided by Renesas Electronics.

Note 3. This result is obtained from reliability testing.

**Table 2.76 Code flash characteristics (2) (1 of 2)**

High-speed operating mode

Conditions: VCC = 2.7 to 5.5 V

| Parameter                           | Symbol | FCLK = 1 MHz      |     |      | FCLK = 32 MHz |     |      | Unit |    |
|-------------------------------------|--------|-------------------|-----|------|---------------|-----|------|------|----|
|                                     |        | Min               | Typ | Max  | Min           | Typ | Max  |      |    |
| Programming time                    | 8-byte | t <sub>P8</sub>   | -   | 116  | 998           | -   | 54   | 506  | μs |
| Erasure time                        | 2-KB   | t <sub>E2K</sub>  | -   | 9.03 | 287           | -   | 5.67 | 222  | ms |
| Blank check time                    | 8-byte | t <sub>BC8</sub>  | -   | -    | 56.8          | -   | -    | 16.6 | μs |
|                                     | 2-KB   | t <sub>BC2K</sub> | -   | -    | 1899          | -   | -    | 140  | μs |
| Erase suspended time                |        | t <sub>SED</sub>  | -   | -    | 22.5          | -   | -    | 10.7 | μs |
| Startup area switching setting time |        | t <sub>SAS</sub>  | -   | 21.7 | 585           | -   | 12.1 | 447  | ms |
| Access window time                  |        | t <sub>AWS</sub>  | -   | 21.7 | 585           | -   | 12.1 | 447  | ms |

**Table 2.76 Code flash characteristics (2) (2 of 2)**

High-speed operating mode  
Conditions: VCC = 2.7 to 5.5 V

| Parameter                                | Symbol            | FCLK = 1 MHz |      |     | FCLK = 32 MHz |      |     | Unit |
|--|-------------------|--------------|------|-----|---------------|------|-----|------|
|  |                   | Min          | Typ  | Max | Min           | Typ  | Max |      |
| OCD/serial programmer ID setting time    | t <sub>OSIS</sub> | -            | 21.7 | 585 | -             | 12.1 | 447 | ms   |
| Flash memory mode transition wait time 1 | t <sub>DIS</sub>  | 2            | -    | -   | 2             | -    | -   | μs   |
| Flash memory mode transition wait time 2 | t <sub>MS</sub>   | 5            | -    | -   | 5             | -    | -   | μs   |

Note: Does not include the time until each operation of the flash memory is started after instructions are executed by software.

Note: The lower-limit frequency of FCLK is 1 MHz during programming or erasing the flash memory. When using FCLK at below 4 MHz, the frequency can be set to 1 MHz, 2 MHz, or 3 MHz. A non-integer frequency value, such as 1.5 MHz, cannot be set.

Note: The frequency accuracy of FCLK must be ±3.5%. Confirm the frequency accuracy of the clock source.

**Table 2.77 Code flash characteristics (3)**

Middle-speed operating mode  
Conditions: VCC = 1.8 to 5.5 V, Ta = -40 to +85°C

| Parameter                                |        | Symbol            | FCLK = 1 MHz |      |      | FCLK = 8 MHz |      |      | Unit |
|--|--------|-------------------|--------------|------|------|--------------|------|------|------|
|  |        |                   | Min          | Typ  | Max  | Min          | Typ  | Max  |      |
| Programming time                         | 8-byte | t <sub>p8</sub>   | -            | 157  | 1411 | -            | 101  | 966  | μs   |
| Erasure time                             | 2-KB   | t <sub>E2K</sub>  | -            | 9.10 | 289  | -            | 6.10 | 228  | ms   |
| Blank check time                         | 8-byte | t <sub>BC8</sub>  | -            | -    | 87.7 | -            | -    | 52.5 | μs   |
|  | 2-KB   | t <sub>BC2K</sub> | -            | -    | 1930 | -            | -    | 414  | μs   |
| Erase suspended time                     |        | t <sub>SED</sub>  | -            | -    | 32.7 | -            | -    | 21.6 | μs   |
| Startup area switching setting time      |        | t <sub>SAS</sub>  | -            | 22.5 | 592  | -            | 14.0 | 464  | ms   |
| Access window time                       |        | t <sub>AWS</sub>  | -            | 22.5 | 592  | -            | 14.0 | 464  | ms   |
| OCD/serial programmer ID setting time    |        | t <sub>OSIS</sub> | -            | 22.5 | 592  | -            | 14.0 | 464  | ms   |
| Flash memory mode transition wait time 1 |        | t <sub>DIS</sub>  | 2            | -    | -    | 2            | -    | -    | μs   |
| Flash memory mode transition wait time 2 |        | t <sub>MS</sub>   | 720          | -    | -    | 720          | -    | -    | ns   |

Note: Does not include the time until each operation of the flash memory is started after instructions are executed by software.

Note: The lower-limit frequency of FCLK is 1 MHz during programming or erasing the flash memory. When using FCLK at below 4 MHz, the frequency can be set to 1 MHz, 2 MHz, or 3 MHz. A non-integer frequency such as 1.5 MHz cannot be set.

Note: The frequency accuracy of FCLK must be ±3.5%. Confirm the frequency accuracy of the clock source.

## 2.15.2 Data Flash Memory Characteristics

**Table 2.78 Data flash characteristics (1)**

| Parameter                     |  | Symbol            | Min      | Typ     | Max | Unit  | Test conditions |
|-------------------------------|--|-------------------|----------|---------|-----|-------|-----------------|
| Reprogramming/erasure cycle*1 |  | N <sub>DPEC</sub> | 100000   | 1000000 | -   | Times | -               |
| Data hold time                | After 10000 times of N <sub>DPEC</sub>   | t <sub>DDRP</sub> | 20*2, *3 | -       | -   | Year  | Ta = +85°C      |
|                               | After 100000 times of N <sub>DPEC</sub>  |                   | 5*2, *3  | -       | -   | Year  |                 |
|                               | After 1000000 times of N <sub>DPEC</sub> |                   | -        | 1*2, *3 | -   | Year  |                 |

Note 1. The reprogram/erase cycle is the number of erasure for each block. When the reprogram/erase cycle is n times (n = 100000), erasing can be performed n times for each block. For instance, when 1-byte programming is performed 1000 times for different addresses in 1-byte blocks, and then the entire block is erased, the reprogram/erase cycle is counted as one. However, programming the same address for several times as one erasure is not enabled. (overwriting is prohibited).

Note 2. Characteristics when using the flash memory programmer and the self-programming library provided by Renesas Electronics.

Note 3. These results are obtained from reliability testing.



**Table 2.79 Data flash characteristics (2)**

High-speed operating mode  
Conditions: VCC = 2.7 to 5.5 V

| Parameter                     |        | Symbol             | FCLK = 4 MHz |      |      | FCLK = 32 MHz |      |      | Unit |
|-------------------------------|--------|--------------------|--------------|------|------|---------------|------|------|------|
|                               |        |                    | Min          | Typ  | Max  | Min           | Typ  | Max  |      |
| Programming time              | 1-byte | t <sub>DP1</sub>   | -            | 52.4 | 463  | -             | 42.1 | 387  | μs   |
| Erase time                    | 1-KB   | t <sub>DE1K</sub>  | -            | 8.98 | 286  | -             | 6.42 | 237  | ms   |
| Blank check time              | 1-byte | t <sub>DBC1</sub>  | -            | -    | 24.3 | -             | -    | 16.6 | μs   |
|                               | 1-KB   | t <sub>DBC1K</sub> | -            | -    | 1872 | -             | -    | 512  | μs   |
| Suspended time during erasing |        | t <sub>DSED</sub>  | -            | -    | 13.0 | -             | -    | 10.7 | μs   |
| Data flash STOP recovery time |        | t <sub>DSTOP</sub> | 5            | -    | -    | 5             | -    | -    | μs   |

Note: Does not include the time until each operation of the flash memory is started after instructions are executed by software.

Note: The lower-limit frequency of FCLK is 1 MHz during programming or erasing the flash memory. When using FCLK at below 4 MHz, the frequency can be set to 1 MHz, 2 MHz, or 3 MHz. A non-integer frequency such as 1.5 MHz cannot be set.

Note: The frequency accuracy of FCLK must be ±3.5%. Confirm the frequency accuracy of the clock source.

**Table 2.80 Data flash characteristics (3)**

Middle-speed operating mode  
Conditions: VCC = 1.8 to 5.5 V, Ta = -40 to +85°C

| Parameter                     |        | Symbol             | FCLK = 4 MHz |      |      | FCLK = 8 MHz |      |      | Unit |
|-------------------------------|--------|--------------------|--------------|------|------|--------------|------|------|------|
|                               |        |                    | Min          | Typ  | Max  | Min          | Typ  | Max  |      |
| Programming time              | 1-byte | t <sub>DP1</sub>   | -            | 94.7 | 886  | -            | 89.3 | 849  | μs   |
| Erase time                    | 1-KB   | t <sub>DE1K</sub>  | -            | 9.59 | 299  | -            | 8.29 | 273  | ms   |
| Blank check time              | 1-byte | t <sub>DBC1</sub>  | -            | -    | 56.2 | -            | -    | 52.5 | μs   |
|                               | 1-KB   | t <sub>DBC1K</sub> | -            | -    | 2.17 | -            | -    | 1.51 | ms   |
| Suspended time during erasing |        | t <sub>DSED</sub>  | -            | -    | 23.0 | -            | -    | 21.7 | μs   |
| Data flash STOP recovery time |        | t <sub>DSTOP</sub> | 720          | -    | -    | 720          | -    | -    | ns   |

Note: Does not include the time until each operation of the flash memory is started after instructions are executed by software.

Note: The lower-limit frequency of FCLK is 1 MHz during programming or erasing the flash memory. When using FCLK at below 4 MHz, the frequency can be set to 1 MHz, 2 MHz, or 3 MHz. A non-integer frequency such as 1.5 MHz cannot be set.

Note: The frequency accuracy of FCLK must be ±3.5%. Confirm the frequency accuracy of the clock source.

## 2.16 Boundary Scan

**Table 2.81 Boundary scan**

Conditions: VCC = AVCC0 = 2.4 to 5.5 V

| Parameter                             | Symbol              | Min                | Typ | Max | Unit | Test conditions |
|---------------------------------------|---------------------|--------------------|-----|-----|------|-----------------|
| TCK clock cycle time                  | t <sub>TCKcyc</sub> | 100                | -   | -   | ns   | Figure 2.94     |
| TCK clock high pulse width            | t <sub>TCKH</sub>   | 45                 | -   | -   | ns   |                 |
| TCK clock low pulse width             | t <sub>TCKL</sub>   | 45                 | -   | -   | ns   |                 |
| TCK clock rise time                   | t <sub>TCKr</sub>   | -                  | -   | 5   | ns   |                 |
| TCK clock fall time                   | t <sub>TCKf</sub>   | -                  | -   | 5   | ns   |                 |
| TMS setup time                        | t <sub>TMSS</sub>   | 20                 | -   | -   | ns   | Figure 2.95     |
| TMS hold time                         | t <sub>TMSH</sub>   | 20                 | -   | -   | ns   |                 |
| TDI setup time                        | t <sub>TDIS</sub>   | 20                 | -   | -   | ns   |                 |
| TDI hold time                         | t <sub>TDIH</sub>   | 20                 | -   | -   | ns   |                 |
| TDO data delay                        | t <sub>TDOD</sub>   | -                  | -   | 70  | ns   | Figure 2.96     |
| Boundary Scan circuit start up time*1 | t <sub>BSSTUP</sub> | t <sub>RESWP</sub> | -   | -   | -    |                 |

Note 1. Boundary scan does not function until power-on-reset becomes negative.

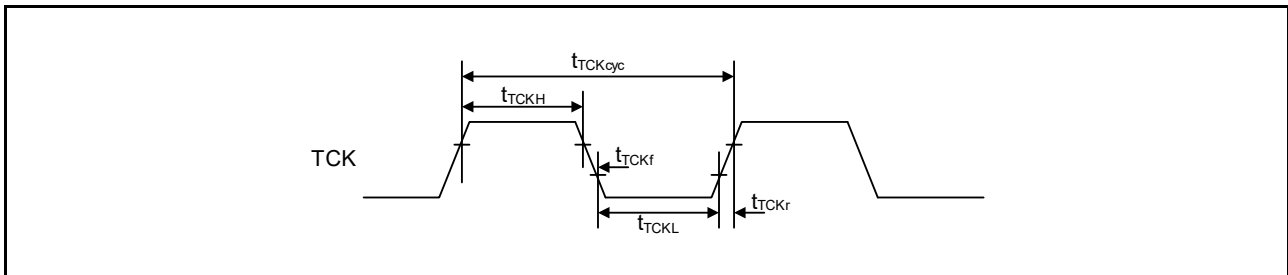


Figure 2.94 Boundary scan TCK timing

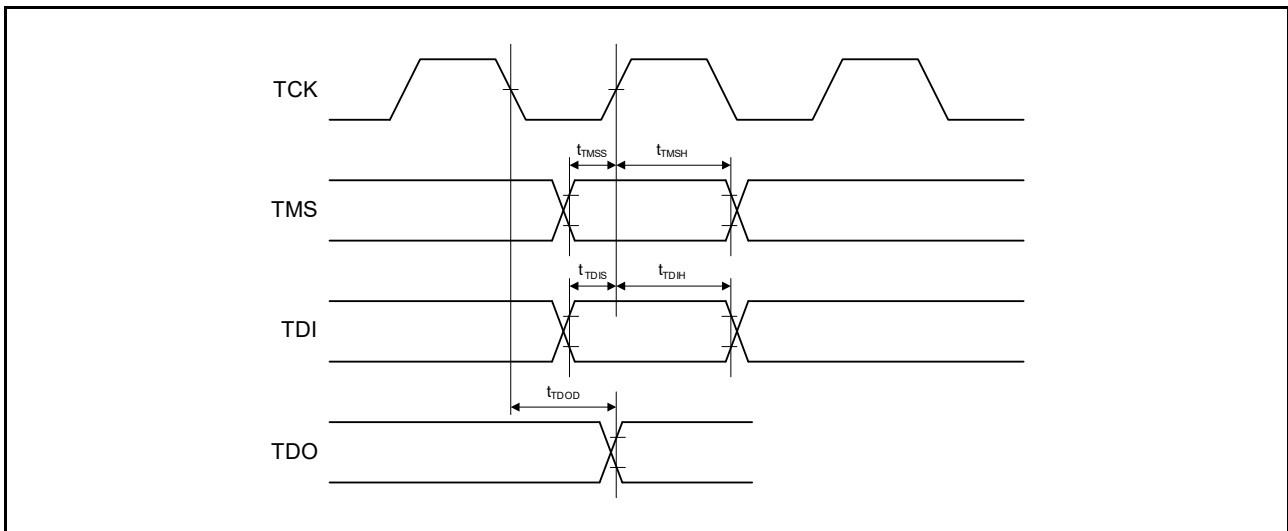


Figure 2.95 Boundary scan input/output timing

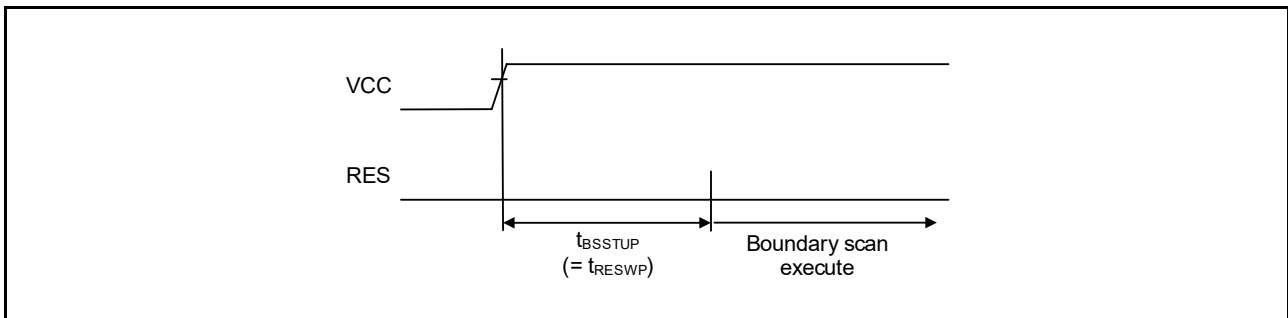


Figure 2.96 Boundary scan circuit start up timing

## 2.17 Joint Test Action Group (JTAG)

**Table 2.82 JTAG (debug) characteristics (1) (1 of 2)**

Conditions: VCC = 2.4 to 5.5 V

| Parameter                  | Symbol       | Min | Typ | Max | Unit | Test conditions |
|----------------------------|--------------|-----|-----|-----|------|-----------------|
| TCK clock cycle time       | $t_{TCKcyc}$ | 80  | -   | -   | ns   | Figure 2.97     |
| TCK clock high pulse width | $t_{TCKH}$   | 35  | -   | -   | ns   |                 |
| TCK clock low pulse width  | $t_{TCKL}$   | 35  | -   | -   | ns   |                 |
| TCK clock rise time        | $t_{TCKr}$   | -   | -   | 5   | ns   |                 |
| TCK clock fall time        | $t_{TCKf}$   | -   | -   | 5   | ns   |                 |

**Table 2.82 JTAG (debug) characteristics (1) (2 of 2)**

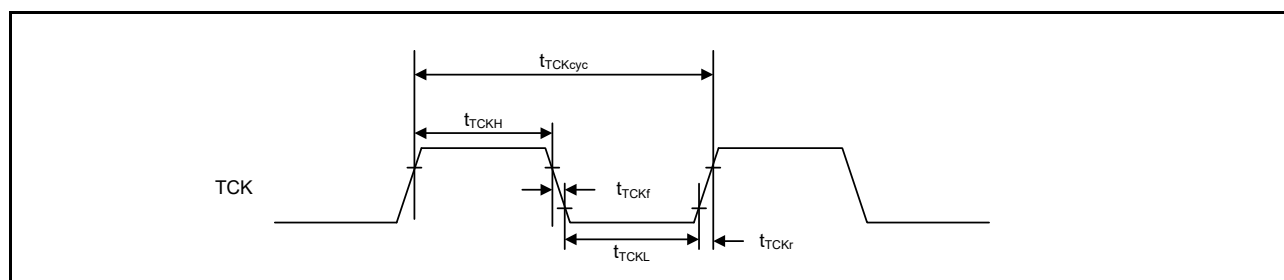
Conditions: VCC = 2.4 to 5.5 V

| Parameter           | Symbol     | Min | Typ | Max | Unit | Test conditions |
|---------------------|------------|-----|-----|-----|------|-----------------|
| TMS setup time      | $t_{TMSS}$ | 16  | -   | -   | ns   | Figure 2.98     |
| TMS hold time       | $t_{TMSH}$ | 16  | -   | -   | ns   |                 |
| TDI setup time      | $t_{TDIS}$ | 16  | -   | -   | ns   |                 |
| TDI hold time       | $t_{TDIH}$ | 16  | -   | -   | ns   |                 |
| TDO data delay time | $t_{TDOD}$ | -   | -   | 70  | ns   |                 |

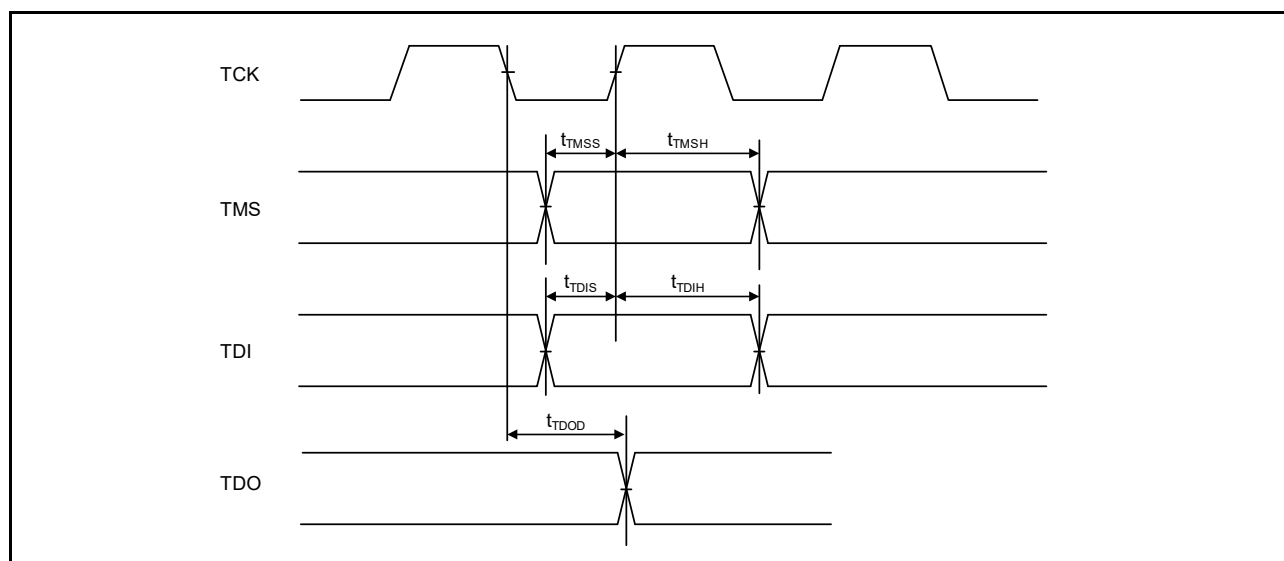
**Table 2.83 JTAG (debug) characteristics (2)**

Conditions: VCC = 1.6 to 2.4 V

| Parameter                  | Symbol       | Min | Typ | Max | Unit | Test conditions |
|----------------------------|--------------|-----|-----|-----|------|-----------------|
| TCK clock cycle time       | $t_{TCKcyc}$ | 250 | -   | -   | ns   | Figure 2.97     |
| TCK clock high pulse width | $t_{TCKH}$   | 120 | -   | -   | ns   |                 |
| TCK clock low pulse width  | $t_{TCKL}$   | 120 | -   | -   | ns   |                 |
| TCK clock rise time        | $t_{TCKr}$   | -   | -   | 5   | ns   |                 |
| TCK clock fall time        | $t_{TCKf}$   | -   | -   | 5   | ns   |                 |
| TMS setup time             | $t_{TMSS}$   | 50  | -   | -   | ns   | Figure 2.98     |
| TMS hold time              | $t_{TMSH}$   | 50  | -   | -   | ns   |                 |
| TDI setup time             | $t_{TDIS}$   | 50  | -   | -   | ns   |                 |
| TDI hold time              | $t_{TDIH}$   | 50  | -   | -   | ns   |                 |
| TDO data delay time        | $t_{TDOD}$   | -   | -   | 150 | ns   |                 |



**Figure 2.97 JTAG TCK timing**



**Figure 2.98 JTAG input/output timing**

## 2.17.1 Serial Wire Debug (SWD)

**Table 2.84 SWD characteristics (1)**

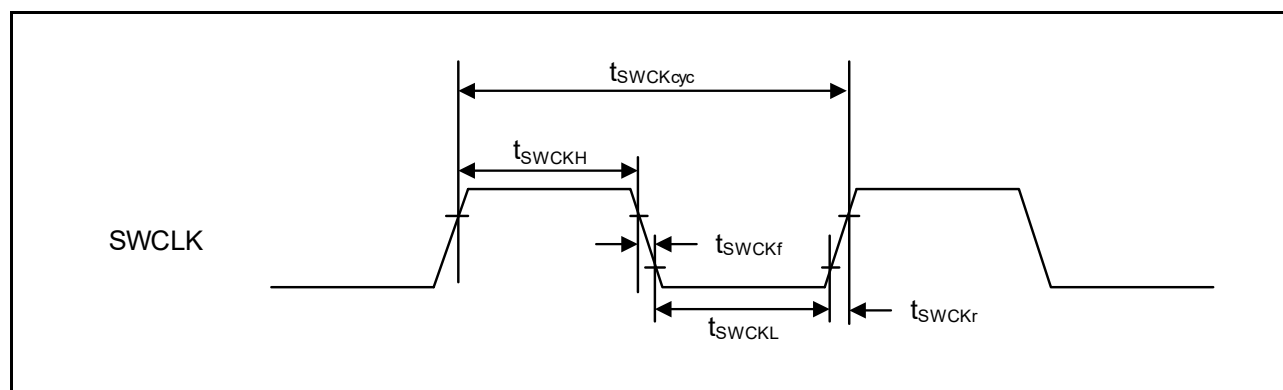
Conditions: VCC = 2.4 to 5.5 V

| Parameter                    | Symbol               | Min | Typ | Max | Unit | Test conditions |
|------------------------------|----------------------|-----|-----|-----|------|-----------------|
| SWCLK clock cycle time       | $t_{\text{SWCKcyc}}$ | 80  | -   | -   | ns   | Figure 2.99     |
| SWCLK clock high pulse width | $t_{\text{SWCKH}}$   | 35  | -   | -   | ns   |                 |
| SWCLK clock low pulse width  | $t_{\text{SWCKL}}$   | 35  | -   | -   | ns   |                 |
| SWCLK clock rise time        | $t_{\text{SWCKr}}$   | -   | -   | 5   | ns   |                 |
| SWCLK clock fall time        | $t_{\text{SWCKf}}$   | -   | -   | 5   | ns   |                 |
| SWDIO setup time             | $t_{\text{SWDS}}$    | 16  | -   | -   | ns   | Figure 2.100    |
| SWDIO hold time              | $t_{\text{SWDH}}$    | 16  | -   | -   | ns   |                 |
| SWDIO data delay time        | $t_{\text{SWDD}}$    | 2   | -   | 70  | ns   |                 |

**Table 2.85 SWD characteristics (2)**

Conditions: VCC = 1.6 to 2.4 V

| Parameter                    | Symbol               | Min | Typ | Max | Unit | Test conditions |
|------------------------------|----------------------|-----|-----|-----|------|-----------------|
| SWCLK clock cycle time       | $t_{\text{SWCKcyc}}$ | 250 | -   | -   | ns   | Figure 2.99     |
| SWCLK clock high pulse width | $t_{\text{SWCKH}}$   | 120 | -   | -   | ns   |                 |
| SWCLK clock low pulse width  | $t_{\text{SWCKL}}$   | 120 | -   | -   | ns   |                 |
| SWCLK clock rise time        | $t_{\text{SWCKr}}$   | -   | -   | 5   | ns   |                 |
| SWCLK clock fall time        | $t_{\text{SWCKf}}$   | -   | -   | 5   | ns   |                 |
| SWDIO setup time             | $t_{\text{SWDS}}$    | 50  | -   | -   | ns   | Figure 2.100    |
| SWDIO hold time              | $t_{\text{SWDH}}$    | 50  | -   | -   | ns   |                 |
| SWDIO data delay time        | $t_{\text{SWDD}}$    | 2   | -   | 150 | ns   |                 |

**Figure 2.99 SWD SWCLK timing**

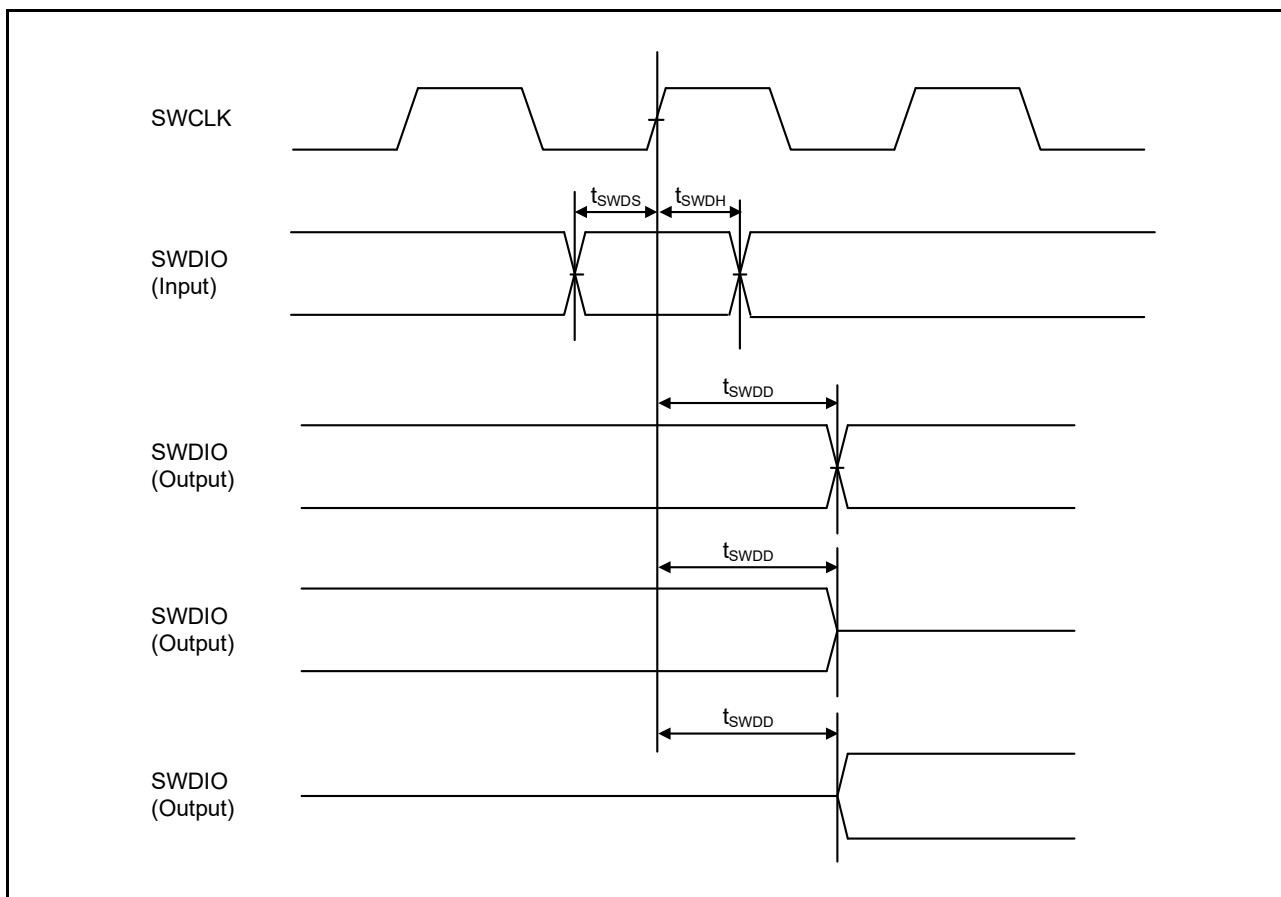


Figure 2.100 SWD input/output timing

## Appendix 1. Package Dimensions

Information on the latest version of the package dimensions or mountings is displayed in “Packages” on the Renesas Electronics Corporation website.

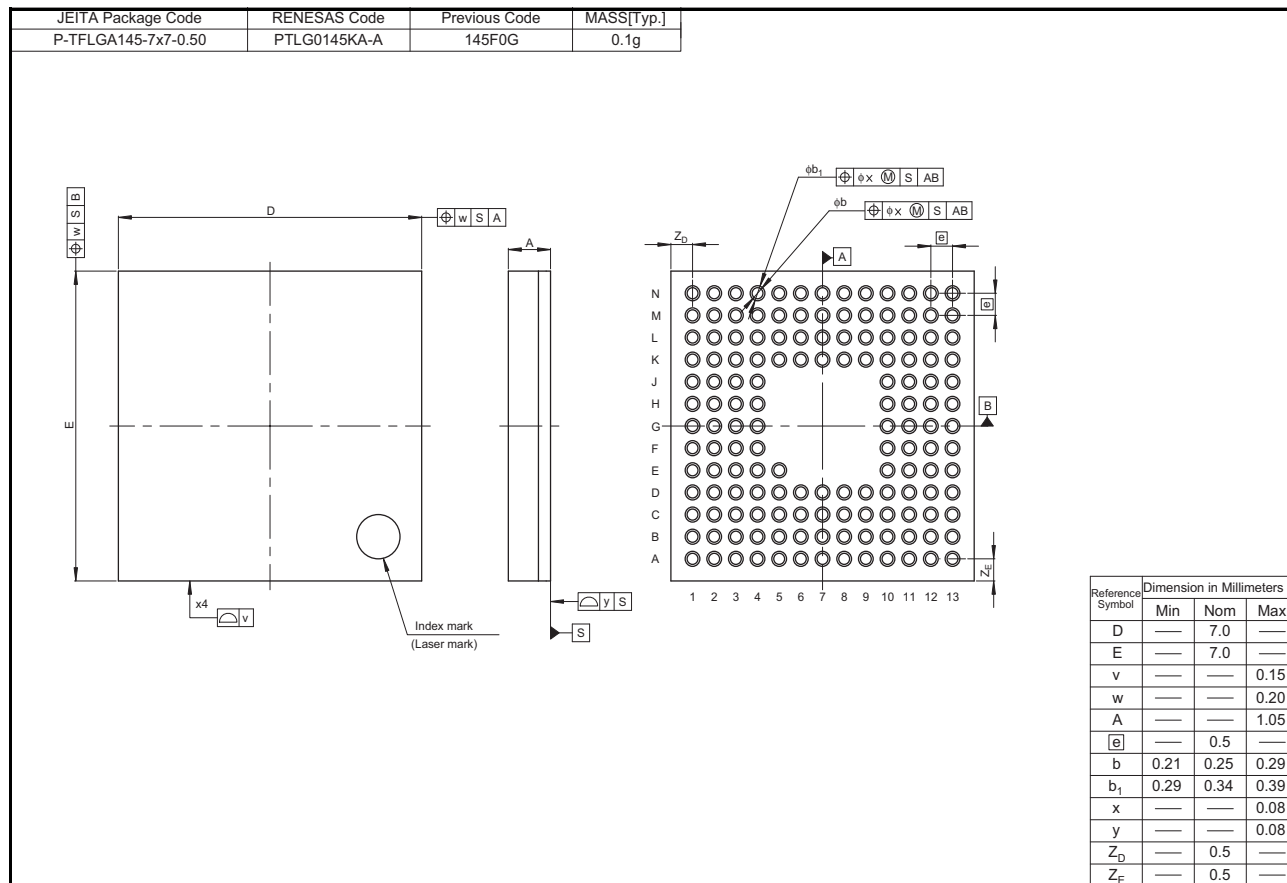
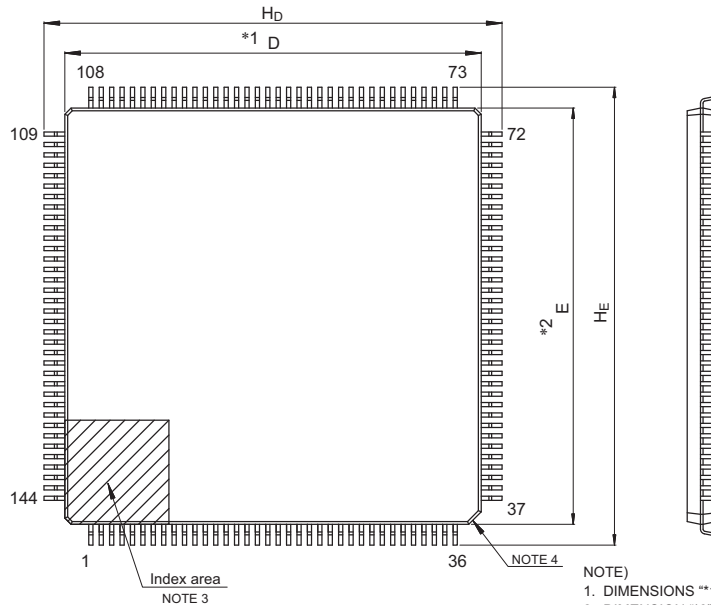


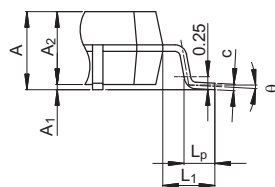
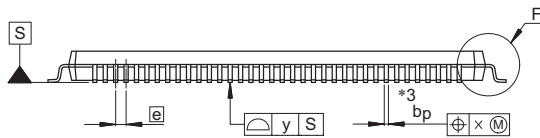
Figure 1.1 LGA 145-pin

| JEITA Package Code    | RENESAS Code | Previous Code | MASS (Typ) [g] |
|-----------------------|--------------|---------------|----------------|
| P-LFQFP144-20x20-0.50 | PLQP0144KA-B | —             | 1.2            |

Unit: mm



- NOTE)
1. DIMENSIONS \*\*1" AND \*\*2" DO NOT INCLUDE MOLD FLASH.
  2. DIMENSION \*\*3" DOES NOT INCLUDE TRIM OFFSET.
  3. PIN 1 VISUAL INDEX FEATURE MAY VARY, BUT MUST BE LOCATED WITHIN THE HATCHED AREA.
  4. CHAMFERS AT CORNERS ARE OPTIONAL, SIZE MAY VARY.



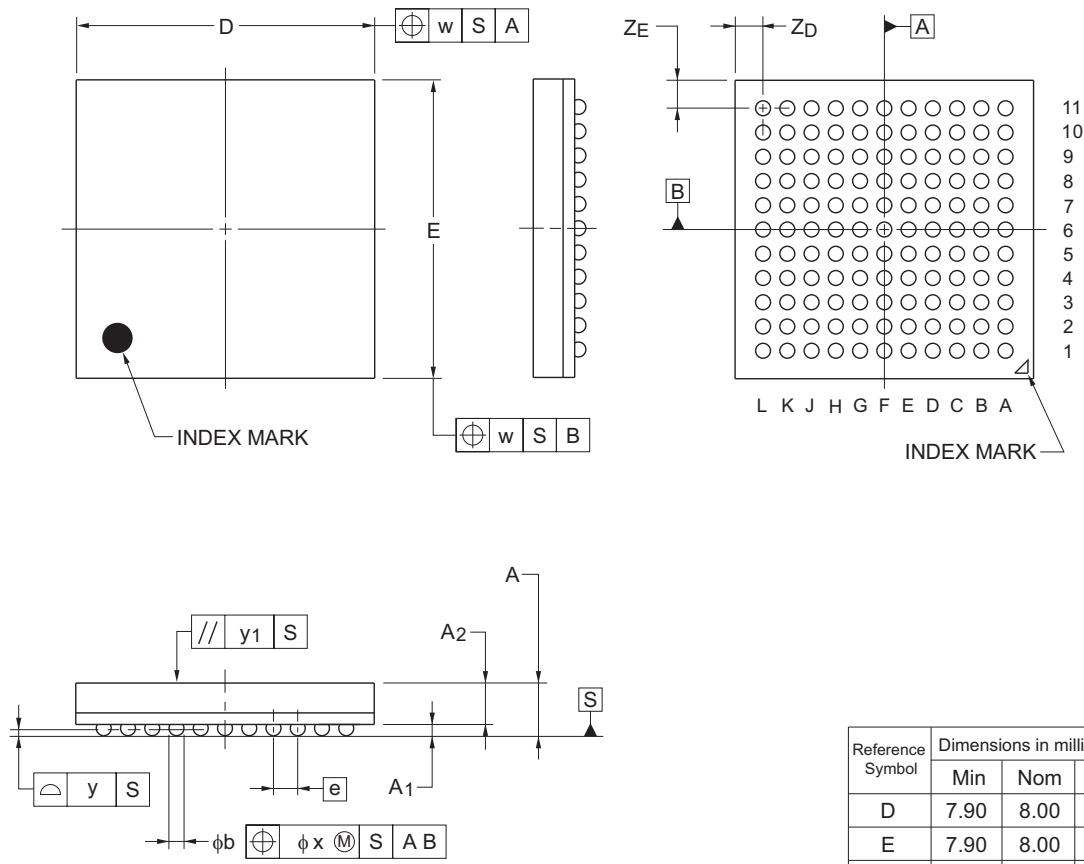
Detail F

| Reference Symbol | Dimensions in millimeters |      |      |
|------------------|---------------------------|------|------|
|                  | Min                       | Nom  | Max  |
| D                | 19.9                      | 20.0 | 20.1 |
| E                | 19.9                      | 20.0 | 20.1 |
| A <sub>2</sub>   | —                         | 1.4  | —    |
| H <sub>D</sub>   | 21.8                      | 22.0 | 22.2 |
| H <sub>E</sub>   | 21.8                      | 22.0 | 22.2 |
| A                | —                         | —    | 1.7  |
| A <sub>1</sub>   | 0.05                      | —    | 0.15 |
| b <sub>p</sub>   | 0.17                      | 0.20 | 0.27 |
| c                | 0.09                      | —    | 0.20 |
| θ                | 0°                        | 3.5° | 8°   |
| e                | —                         | 0.5  | —    |
| x                | —                         | —    | 0.08 |
| y                | —                         | —    | 0.10 |
| L <sub>p</sub>   | 0.45                      | 0.6  | 0.75 |
| L <sub>1</sub>   | —                         | 1.0  | —    |

Figure 1.2 LQFP 144-pin

|                           |                     |                      |                       |
|---------------------------|---------------------|----------------------|-----------------------|
| <b>JEITA Package Code</b> | <b>RENESAS Code</b> | <b>Previous Code</b> | <b>MASS (Typ) [g]</b> |
| P-LFBGA121-8x8-0.65       | PLBG0121JA-A        | —                    | 0.15                  |

Unit: mm



| Reference Symbol | Dimensions in millimeters |      |      |
|------------------|---------------------------|------|------|
|                  | Min                       | Nom  | Max  |
| D                | 7.90                      | 8.00 | 8.10 |
| E                | 7.90                      | 8.00 | 8.10 |
| w                | —                         | 0.20 | —    |
| A                | 1.11                      | 1.21 | 1.31 |
| A1               | 0.25                      | 0.30 | 0.35 |
| A2               | —                         | 0.91 | —    |
| e                | —                         | 0.65 | —    |
| b                | 0.35                      | 0.40 | 0.45 |
| x                | —                         | 0.08 | —    |
| y                | —                         | 0.10 | —    |
| y1               | —                         | 0.20 | —    |
| Z <sub>D</sub>   | —                         | 0.75 | —    |
| Z <sub>E</sub>   | —                         | 0.75 | —    |

Figure 1.3 BGA 121-pin



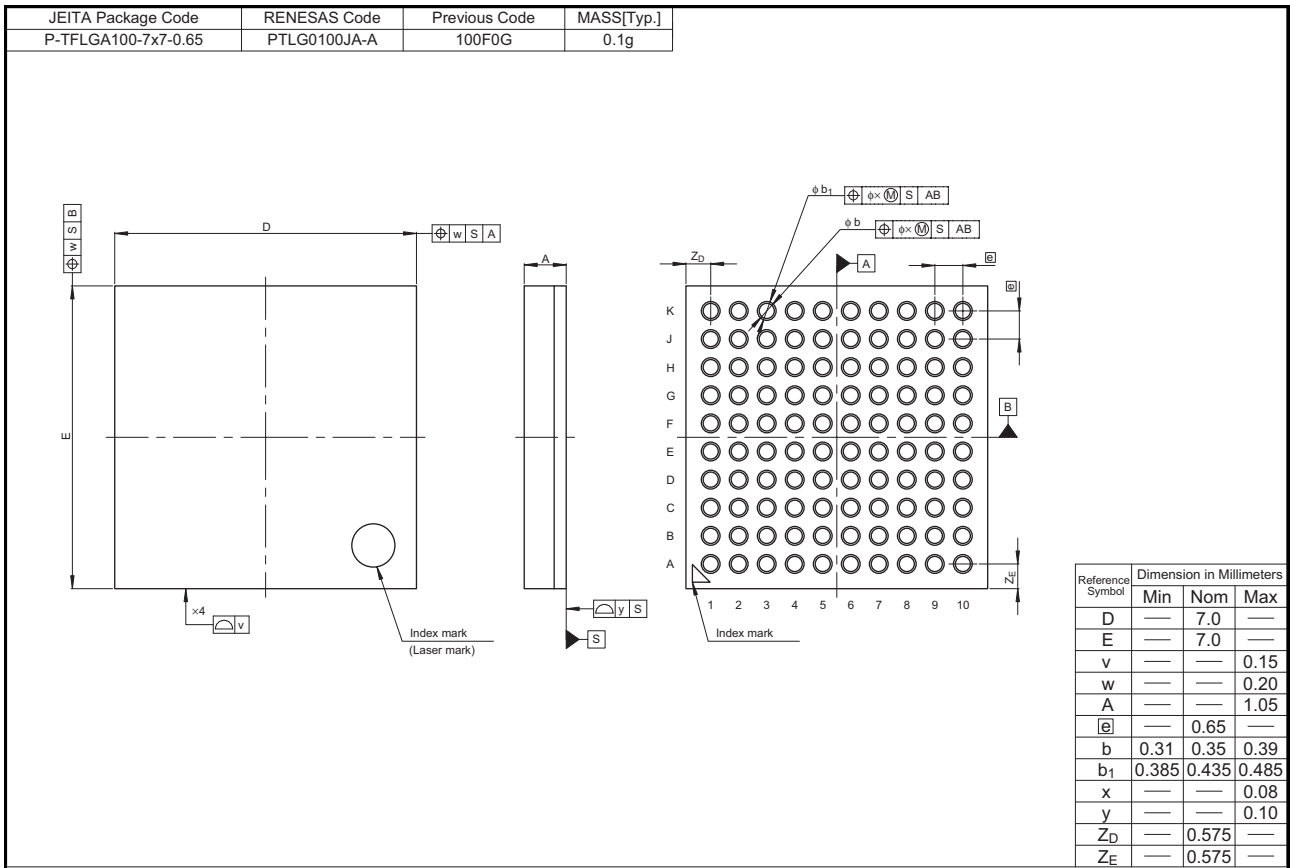
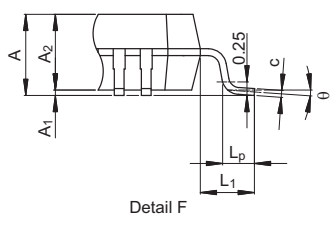
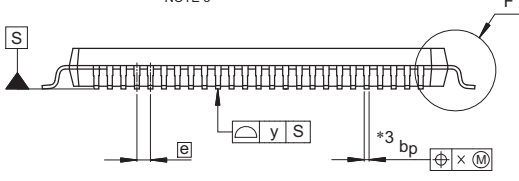
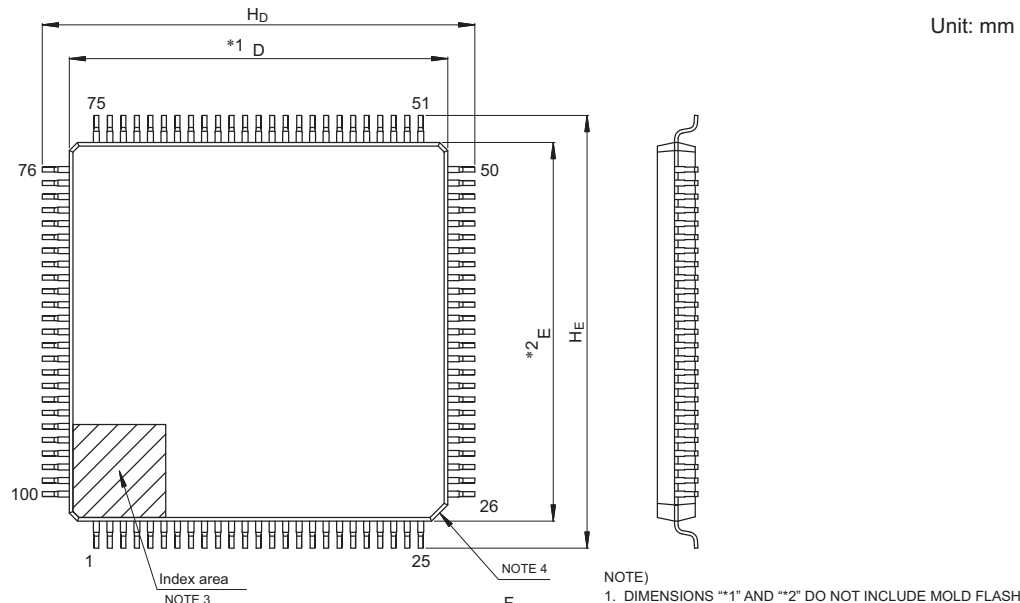


Figure 1.4 LGA 100-pin

| JEITA Package Code    | RENESAS Code | Previous Code | MASS (Typ) [g] |
|-----------------------|--------------|---------------|----------------|
| P-LFQFP100-14x14-0.50 | PLQP0100KB-B | —             | 0.6            |



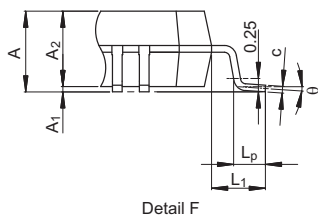
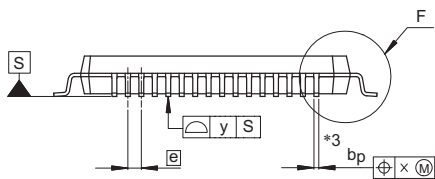
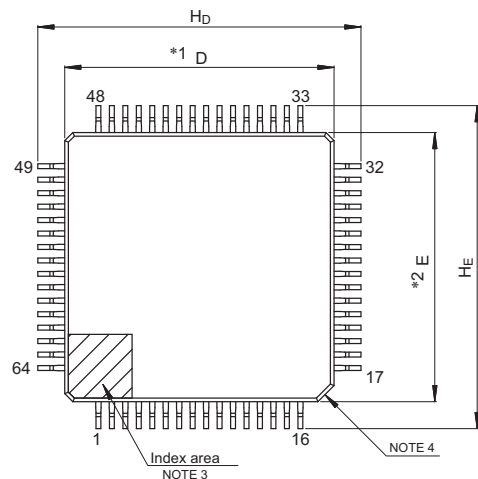
- NOTE)
1. DIMENSIONS \*\*1\* AND \*\*2\* DO NOT INCLUDE MOLD FLASH.
  2. DIMENSION \*\*3\* DOES NOT INCLUDE TRIM OFFSET.
  3. PIN 1 VISUAL INDEX FEATURE MAY VARY, BUT MUST BE LOCATED WITHIN THE HATCHED AREA.
  4. CHAMFERS AT CORNERS ARE OPTIONAL, SIZE MAY VARY.

| Reference Symbol | Dimensions in millimeters |      |      |
|------------------|---------------------------|------|------|
|                  | Min                       | Nom  | Max  |
| D                | 13.9                      | 14.0 | 14.1 |
| E                | 13.9                      | 14.0 | 14.1 |
| A <sub>2</sub>   | —                         | 1.4  | —    |
| H <sub>D</sub>   | 15.8                      | 16.0 | 16.2 |
| H <sub>E</sub>   | 15.8                      | 16.0 | 16.2 |
| A                | —                         | —    | 1.7  |
| A <sub>1</sub>   | 0.05                      | —    | 0.15 |
| b <sub>p</sub>   | 0.15                      | 0.20 | 0.27 |
| c                | 0.09                      | —    | 0.20 |
| θ                | 0°                        | 3.5° | 8°   |
| e                | —                         | 0.5  | —    |
| x                | —                         | —    | 0.08 |
| y                | —                         | —    | 0.08 |
| L <sub>p</sub>   | 0.45                      | 0.6  | 0.75 |
| L <sub>1</sub>   | —                         | 1.0  | —    |

Figure 1.5 LQFP 100-pin

| JEITA Package Code   | RENESAS Code | Previous Code | MASS (Typ) [g] |
|----------------------|--------------|---------------|----------------|
| P-LFQFP64-10x10-0.50 | PLQP0064KB-C | —             | 0.3            |

Unit: mm



Detail F

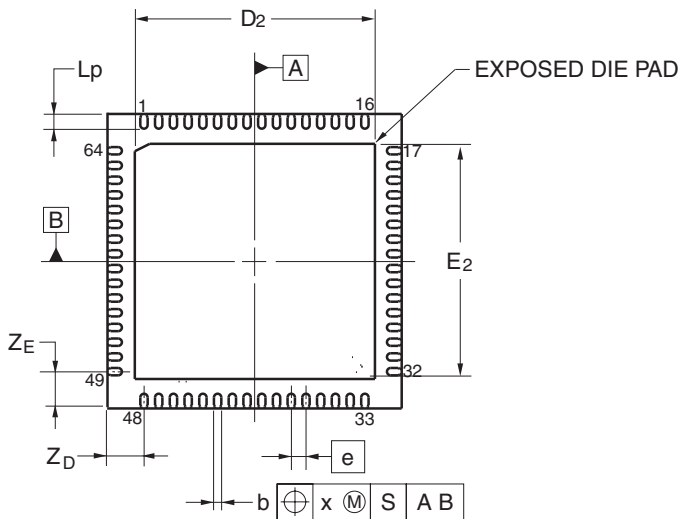
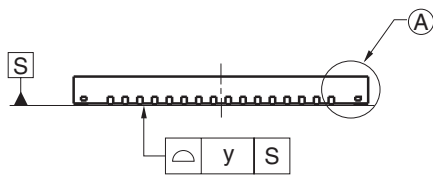
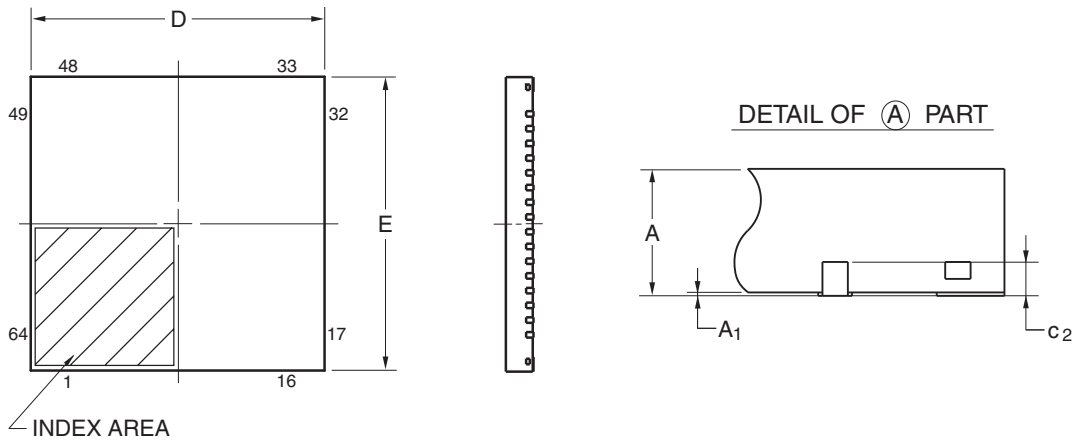
NOTE)

1. DIMENSIONS "\*1" AND "\*2" DO NOT INCLUDE MOLD FLASH.
2. DIMENSION "\*3" DOES NOT INCLUDE TRIM OFFSET.
3. PIN 1 VISUAL INDEX FEATURE MAY VARY, BUT MUST BE LOCATED WITHIN THE HATCHED AREA.
4. CHAMFERS AT CORNERS ARE OPTIONAL, SIZE MAY VARY.

| Reference Symbol | Dimensions in millimeters |      |      |
|------------------|---------------------------|------|------|
|                  | Min                       | Nom  | Max  |
| D                | 9.9                       | 10.0 | 10.1 |
| E                | 9.9                       | 10.0 | 10.1 |
| A <sub>2</sub>   | —                         | 1.4  | —    |
| H <sub>D</sub>   | 11.8                      | 12.0 | 12.2 |
| H <sub>E</sub>   | 11.8                      | 12.0 | 12.2 |
| A                | —                         | —    | 1.7  |
| A <sub>1</sub>   | 0.05                      | —    | 0.15 |
| b <sub>p</sub>   | 0.15                      | 0.20 | 0.27 |
| c                | 0.09                      | —    | 0.20 |
| θ                | 0°                        | 3.5° | 8°   |
| e                | —                         | 0.5  | —    |
| x                | —                         | —    | 0.08 |
| y                | —                         | —    | 0.08 |
| L <sub>p</sub>   | 0.45                      | 0.6  | 0.75 |
| L <sub>1</sub>   | —                         | 1.0  | —    |

Figure 1.6 LQFP 64-pin

| JEITA Package code | RENESAS code | Previous code  | MASS(TYP.)[g] |
|--------------------|--------------|----------------|---------------|
| P-HWQFN64-8x8-0.40 | PWQN0064LA-A | P64K8-40-9B5-3 | 0.16          |



| Reference Symbol | Dimension in Millimeters |      |      |
|------------------|--------------------------|------|------|
|                  | Min                      | Nom  | Max  |
| D                | 7.95                     | 8.00 | 8.05 |
| E                | 7.95                     | 8.00 | 8.05 |
| A                | —                        | —    | 0.80 |
| A <sub>1</sub>   | 0.00                     | —    | —    |
| b                | 0.17                     | 0.20 | 0.23 |
| e                | —                        | 0.40 | —    |
| L <sub>p</sub>   | 0.30                     | 0.40 | 0.50 |
| x                | —                        | —    | 0.05 |
| y                | —                        | —    | 0.05 |
| Z <sub>D</sub>   | —                        | 1.00 | —    |
| Z <sub>E</sub>   | —                        | 1.00 | —    |
| c <sub>2</sub>   | 0.15                     | 0.20 | 0.25 |
| D <sub>2</sub>   | —                        | 6.50 | —    |
| E <sub>2</sub>   | —                        | 6.50 | —    |

Figure 1.7 QFN 64-pin

| Rev. | Date         | Summary     |
|------|--------------|-------------|
| 1.00 | Oct 30, 2017 | 1st release |
| 1.10 | Mar 7, 2018  | 2nd release |
| 1.20 | Oct 29, 2018 | 3rd release |

## Website and Support

Visit the following vanity URLs to learn about key elements of the Synergy Platform, download components and related documentation, and get support.

|                                 |  |
|---------------------------------|--|
| Synergy Software                | <a href="https://renesas.com/synergy/software">renessasynergy.com/software</a>                       |
| Synergy Software Package        | <a href="https://renesas.com/synergy/ssp">renessasynergy.com/ssp</a>                                 |
| Software add-ons                | <a href="https://renesas.com/synergy/addons">renessasynergy.com/addons</a>                           |
| Software glossary               | <a href="https://renesas.com/synergy/softwareglossary">renessasynergy.com/softwareglossary</a>       |
| Development tools               | <a href="https://renesas.com/synergy/tools">renessasynergy.com/tools</a>                             |
| Synergy Hardware                | <a href="https://renesas.com/synergy/hardware">renessasynergy.com/hardware</a>                       |
| Microcontrollers                | <a href="https://renesas.com/synergy/mcus">renessasynergy.com/mcus</a>                               |
| MCU glossary                    | <a href="https://renesas.com/synergy/mcuglossary">renessasynergy.com/mcuglossary</a>                 |
| Parametric search               | <a href="https://renesas.com/synergy/parametric">renessasynergy.com/parametric</a>                   |
| Kits                            | <a href="https://renesas.com/synergy/kits">renessasynergy.com/kits</a>                               |
| Synergy Solutions Gallery       | <a href="https://renesas.com/synergy/solutionsgallery">renessasynergy.com/solutionsgallery</a>       |
| Partner projects                | <a href="https://renesas.com/synergy/partnerprojects">renessasynergy.com/partnerprojects</a>         |
| Application projects            | <a href="https://renesas.com/synergy/applicationprojects">renessasynergy.com/applicationprojects</a> |
| Self-service support resources: |  |
| Documentation                   | <a href="https://renesas.com/synergy/docs">renessasynergy.com/docs</a>                               |
| Knowledgebase                   | <a href="https://renesas.com/synergy/knowledgebase">renessasynergy.com/knowledgebase</a>             |
| Forums                          | <a href="https://renesas.com/synergy/forum">renessasynergy.com/forum</a>                             |
| Training                        | <a href="https://renesas.com/synergy/training">renessasynergy.com/training</a>                       |
| Videos                          | <a href="https://renesas.com/synergy/videos">renessasynergy.com/videos</a>                           |
| Chat and web ticket             | <a href="https://renesas.com/synergy/support">renessasynergy.com/support</a>                         |

## Proprietary Notice

All text, graphics, photographs, trademarks, logos, artwork and computer code, collectively known as content, contained in this document is owned, controlled or licensed by or to Renesas, and is protected by trade dress, copyright, patent and trademark laws, and other intellectual property rights and unfair competition laws. Except as expressly provided herein, no part of this document or content may be copied, reproduced, republished, posted, publicly displayed, encoded, translated, transmitted or distributed in any other medium for publication or distribution or for any commercial enterprise, without prior written consent from Renesas.

Arm® and Cortex® are registered trademarks of Arm Limited. CoreSight™ is a trademark of Arm Limited.

CoreMark® is a registered trademark of the Embedded Microprocessor Benchmark Consortium.

Magic Packet™ is a trademark of Advanced Micro Devices, Inc.

SuperFlash® is a registered trademark of Silicon Storage Technology, Inc. in several countries including the United States and Japan.

Other brands and names mentioned in this document may be the trademarks or registered trademarks of their respective holders.

---

S3A1 Microcontroller Group Datasheet

Publication Date: Rev.1.20 Oct 29, 2018

Published by: Renesas Electronics Corporation

---

## General Precautions

### 1. Precaution against Electrostatic Discharge (ESD)

A strong electrical field, when exposed to a CMOS device, can cause destruction of the gate oxide and ultimately degrade the device operation. Steps must be taken to stop the generation of static electricity as much as possible, and quickly dissipate it when it occurs. Environmental control must be adequate. When it is dry, a humidifier should be used. This is recommended to avoid using insulators that can easily build up static electricity. Semiconductor devices must be stored and transported in an anti-static container, static shielding bag or conductive material. All test and measurement tools including work benches and floors must be grounded. The operator must also be grounded using a wrist strap. Semiconductor devices must not be touched with bare hands. Similar precautions must be taken for printed circuit boards with mounted semiconductor devices.

### 2. Processing at power-on

The state of the product is undefined at the time when power is supplied. The states of internal circuits in the LSI are indeterminate and the states of register settings and pins are undefined at the time when power is supplied. In a finished product where the reset signal is applied to the external reset pin, the states of pins are not guaranteed from the time when power is supplied until the reset process is completed. In a similar way, the states of pins in a product that is reset by an on-chip power-on reset function are not guaranteed from the time when power is supplied until the power reaches the level at which resetting is specified.

### 3. Input of signal during power-off state

Do not input signals or an I/O pull-up power supply while the device is powered off. The current injection that results from input of such a signal or I/O pull-up power supply may cause malfunction and the abnormal current that passes in the device at this time may cause degradation of internal elements. Follow the guideline for input signal during power-off state as described in your product documentation.

### 4. Handling of unused pins

Handle unused pins in accordance with the directions given under handling of unused pins in the manual. The input pins of CMOS products are generally in the high-impedance state. In operation with an unused pin in the open-circuit state, extra electromagnetic noise is induced in the vicinity of the LSI, an associated shoot-through current flows internally, and malfunctions occur due to the false recognition of the pin state as an input signal become possible.

### 5. Clock signals

After applying a reset, only release the reset line after the operating clock signal becomes stable. When switching the clock signal during program execution, wait until the target clock signal is stabilized. When the clock signal is generated with an external resonator or from an external oscillator during a reset, ensure that the reset line is only released after full stabilization of the clock signal. Additionally, when switching to a clock signal produced with an external resonator or by an external oscillator while program execution is in progress, wait until the target clock signal is stable.

### 6. Voltage application waveform at input pin

Waveform distortion due to input noise or a reflected wave may cause malfunction. If the input of the CMOS device stays in the area between  $V_{IL}$  (Max.) and  $V_{IH}$  (Min.) due to noise, for example, the device may malfunction. Take care to prevent chattering noise from entering the device when the input level is fixed, and also in the transition period when the input level passes through the area between  $V_{IL}$  (Max.) and  $V_{IH}$  (Min.).

### 7. Prohibition of access to reserved addresses

Access to reserved addresses is prohibited. The reserved addresses are provided for possible future expansion of functions. Do not access these addresses as the correct operation of the LSI is not guaranteed.

### 8. Differences between products

Before changing from one product to another, for example to a product with a different part number, confirm that the change will not lead to problems. The characteristics of a microprocessing unit or microcontroller unit products in the same group but having a different part number might differ in terms of internal memory capacity, layout pattern, and other factors, which can affect the ranges of electrical characteristics, such as characteristic values, operating margins, immunity to noise, and amount of radiated noise. When changing to a product with a different part number, implement a system-evaluation test for the given product.

## Notice

1. Descriptions of circuits, software and other related information in this document are provided only to illustrate the operation of semiconductor products and application examples. You are fully responsible for the incorporation or any other use of the circuits, software, and information in the design of your product or system. Renesas Electronics disclaims any and all liability for any losses and damages incurred by you or third parties arising from the use of these circuits, software, or information.
2. Renesas Electronics hereby expressly disclaims any warranties against and liability for infringement or any other claims involving patents, copyrights, or other intellectual property rights of third parties, by or arising from the use of Renesas Electronics products or technical information described in this document, including but not limited to, the product data, drawings, charts, programs, algorithms, and application examples.
3. No license, express, implied or otherwise, is granted hereby under any patents, copyrights or other intellectual property rights of Renesas Electronics or others.
4. You shall not alter, modify, copy, or reverse engineer any Renesas Electronics product, whether in whole or in part. Renesas Electronics disclaims any and all liability for any losses or damages incurred by you or third parties arising from such alteration, modification, copying or reverse engineering.
5. Renesas Electronics products are classified according to the following two quality grades: "Standard" and "High Quality". The intended applications for each Renesas Electronics product depends on the product's quality grade, as indicated below.  
"Standard": Computers; office equipment; communications equipment; test and measurement equipment; audio and visual equipment; home electronic appliances; machine tools; personal electronic equipment; industrial robots; etc.  
"High Quality": Transportation equipment (automobiles, trains, ships, etc.); traffic control (traffic lights); large-scale communication equipment; key financial terminal systems; safety control equipment; etc.  
Unless expressly designated as a high reliability product or a product for harsh environments in a Renesas Electronics data sheet or other Renesas Electronics document, Renesas Electronics products are not intended or authorized for use in products or systems that may pose a direct threat to human life or bodily injury (artificial life support devices or systems; surgical implantations; etc.), or may cause serious property damage (space system; undersea repeaters; nuclear power control systems; aircraft control systems; key plant systems; military equipment; etc.). Renesas Electronics disclaims any and all liability for any damages or losses incurred by you or any third parties arising from the use of any Renesas Electronics product that is inconsistent with any Renesas Electronics data sheet, user's manual or other Renesas Electronics document.
6. When using Renesas Electronics products, refer to the latest product information (data sheets, user's manuals, application notes, "General Notes for Handling and Using Semiconductor Devices" in the reliability handbook, etc.), and ensure that usage conditions are within the ranges specified by Renesas Electronics with respect to maximum ratings, operating power supply voltage range, heat dissipation characteristics, installation, etc. Renesas Electronics disclaims any and all liability for any malfunctions, failure or accident arising out of the use of Renesas Electronics products outside of such specified ranges.
7. Although Renesas Electronics endeavors to improve the quality and reliability of Renesas Electronics products, semiconductor products have specific characteristics, such as the occurrence of failure at a certain rate and malfunctions under certain use conditions. Unless designated as a high reliability product or a product for harsh environments in a Renesas Electronics data sheet or other Renesas Electronics document, Renesas Electronics products are not subject to radiation resistance design. You are responsible for implementing safety measures to guard against the possibility of bodily injury, injury or damage caused by fire, and/or danger to the public in the event of a failure or malfunction of Renesas Electronics products, such as safety design for hardware and software, including but not limited to redundancy, fire control and malfunction prevention, appropriate treatment for aging degradation or any other appropriate measures. Because the evaluation of microcomputer software alone is very difficult and impractical, you are responsible for evaluating the safety of the final products or systems manufactured by you.
8. Please contact a Renesas Electronics sales office for details as to environmental matters such as the environmental compatibility of each Renesas Electronics product. You are responsible for carefully and sufficiently investigating applicable laws and regulations that regulate the inclusion or use of controlled substances, including without limitation, the EU RoHS Directive, and using Renesas Electronics products in compliance with all these applicable laws and regulations. Renesas Electronics disclaims any and all liability for damages or losses occurring as a result of your noncompliance with applicable laws and regulations.
9. Renesas Electronics products and technologies shall not be used for or incorporated into any products or systems whose manufacture, use, or sale is prohibited under any applicable domestic or foreign laws or regulations. You shall comply with any applicable export control laws and regulations promulgated and administered by the governments of any countries asserting jurisdiction over the parties or transactions.
10. It is the responsibility of the buyer or distributor of Renesas Electronics products, or any other party who distributes, disposes of, or otherwise sells or transfers the product to a third party, to notify such third party in advance of the contents and conditions set forth in this document.
11. This document shall not be reprinted, reproduced or duplicated in any form, in whole or in part, without prior written consent of Renesas Electronics.
12. Please contact a Renesas Electronics sales office if you have any questions regarding the information contained in this document or Renesas Electronics products.  
(Note 1) "Renesas Electronics" as used in this document means Renesas Electronics Corporation and also includes its directly or indirectly controlled subsidiaries.  
(Note 2) "Renesas Electronics product(s)" means any product developed or manufactured by or for Renesas Electronics.

(Rev.4.0-1 November 2017)



### SALES OFFICES

Renesas Electronics Corporation

<http://www.renesas.com>

Refer to "<http://www.renesas.com/>" for the latest and detailed information.

**Renesas Electronics Corporation**  
TOYOSU FORESIA, 3-2-24 Toyosu, Koto-ku, Tokyo 135-0061, Japan

**Renesas Electronics America Inc.**  
1001 Murphy Ranch Road, Milpitas, CA 95035, U.S.A.  
Tel: +1-408-432-8888, Fax: +1-408-434-5351

**Renesas Electronics Canada Limited**  
9251 Yonge Street, Suite 8309 Richmond Hill, Ontario Canada L4C 9T3  
Tel: +1-905-237-2004

**Renesas Electronics Europe Limited**  
Dukes Meadow, Millboard Road, Bourne End, Buckinghamshire, SL8 5FH, U.K.  
Tel: +44-1628-651-700

**Renesas Electronics Europe GmbH**  
Arcadiastrasse 10, 40472 Düsseldorf, Germany  
Tel: +49-211-6503-0, Fax: +49-211-6503-1327

**Renesas Electronics (China) Co., Ltd.**  
Room 1709 Quantum Plaza, No.27 ZhichunLu, Haidian District, Beijing, 100191 P. R. China  
Tel: +86-10-8235-1155, Fax: +86-10-8235-7679

**Renesas Electronics (Shanghai) Co., Ltd.**  
Unit 301, Tower A, Central Towers, 555 Langao Road, Putuo District, Shanghai, 200333 P. R. China  
Tel: +86-21-2226-0888, Fax: +86-21-2226-0999

**Renesas Electronics Hong Kong Limited**  
Unit 1601-1611, 16/F., Tower 2, Grand Century Place, 193 Prince Edward Road West, Mongkok, Kowloon, Hong Kong  
Tel: +852-2265-6688, Fax: +852 2886-9022

**Renesas Electronics Taiwan Co., Ltd.**  
13F, No. 363, Fu Shing North Road, Taipei 10543, Taiwan  
Tel: +886-2-8175-9600, Fax: +886 2-8175-9670

**Renesas Electronics Singapore Pte. Ltd.**  
80 Bendemeer Road, Unit #06-02 Hyflux Innovation Centre, Singapore 339949  
Tel: +65-6213-0200, Fax: +65-6213-0300

**Renesas Electronics Malaysia Sdn.Bhd.**  
Unit 1207, Block B, Menara Amcorp, Amcorp Trade Centre, No. 18, Jln Persiaran Barat, 46050 Petaling Jaya, Selangor Darul Ehsan, Malaysia  
Tel: +60-3-7955-9390, Fax: +60-3-7955-9510

**Renesas Electronics India Pvt. Ltd.**  
No.77C, 100 Feet Road, HAL 2nd Stage, Indiranagar, Bangalore 560 038, India  
Tel: +91-80-67208700, Fax: +91-80-67208777

**Renesas Electronics Korea Co., Ltd.**  
17F, KAMCO Yangjae Tower, 262, Gangnam-daero, Gangnam-gu, Seoul, 06265 Korea  
Tel: +82-2-558-3737, Fax: +82-2-558-5338



Renesas Synergy™ Platform  
S3A1 Microcontroller Group



# Mouser Electronics

Authorized Distributor

Click to View Pricing, Inventory, Delivery & Lifecycle Information:

## [Renesas Electronics:](#)

[R7FS3A17C2A01CLJ#AC0](#) [R7FS3A17C2A01CLK#AC0](#) [R7FS3A17C3A01CFB#AA0](#) [R7FS3A17C3A01CNB#AC0](#)  
[R7FS3A17C2A01CBJ#AC0](#) [R7FS3A17C3A01CFM#AA0](#) [R7FS3A17C3A01CFP#AA0](#)

Компания «Океан Электроники» предлагает заключение долгосрочных отношений при поставках импортных электронных компонентов на взаимовыгодных условиях!

Наши преимущества:

- Поставка оригинальных импортных электронных компонентов напрямую с производств Америки, Европы и Азии, а так же с крупнейших складов мира;
- Широкая линейка поставок активных и пассивных импортных электронных компонентов (более 30 млн. наименований);
- Поставка сложных, дефицитных, либо снятых с производства позиций;
- Оперативные сроки поставки под заказ (от 5 рабочих дней);
- Экспресс доставка в любую точку России;
- Помощь Конструкторского Отдела и консультации квалифицированных инженеров;
- Техническая поддержка проекта, помощь в подборе аналогов, поставка прототипов;
- Поставка электронных компонентов под контролем ВП;
- Система менеджмента качества сертифицирована по Международному стандарту ISO 9001;
- При необходимости вся продукция военного и аэрокосмического назначения проходит испытания и сертификацию в лаборатории (по согласованию с заказчиком);
- Поставка специализированных компонентов военного и аэрокосмического уровня качества (Xilinx, Altera, Analog Devices, Intersil, Interpoint, Microsemi, Actel, Aeroflex, Peregrine, VPT, Syfer, Eurofarad, Texas Instruments, MS Kennedy, Miteq, Cobham, E2V, MA-COM, Hittite, Mini-Circuits, General Dynamics и др.);

Компания «Океан Электроники» является официальным дистрибьютором и эксклюзивным представителем в России одного из крупнейших производителей разъемов военного и аэрокосмического назначения «JONHON», а так же официальным дистрибьютором и эксклюзивным представителем в России производителя высокотехнологичных и надежных решений для передачи СВЧ сигналов «FORSTAR».



## JONHON

«JONHON» (основан в 1970 г.)

Разъемы специального, военного и аэрокосмического назначения:

(Применяются в военной, авиационной, аэрокосмической, морской, железнодорожной, горно- и нефтедобывающей отраслях промышленности)

«FORSTAR» (основан в 1998 г.)

ВЧ соединители, коаксиальные кабели, кабельные сборки и микроволновые компоненты:

(Применяются в телекоммуникациях гражданского и специального назначения, в средствах связи, РЛС, а так же военной, авиационной и аэрокосмической отраслях промышленности).



Телефон: 8 (812) 309-75-97 (многоканальный)

Факс: 8 (812) 320-03-32

Электронная почта: [ocean@oceanchips.ru](mailto:ocean@oceanchips.ru)

Web: <http://oceanchips.ru/>

Адрес: 198099, г. Санкт-Петербург, ул. Калинина, д. 2, корп. 4, лит. А